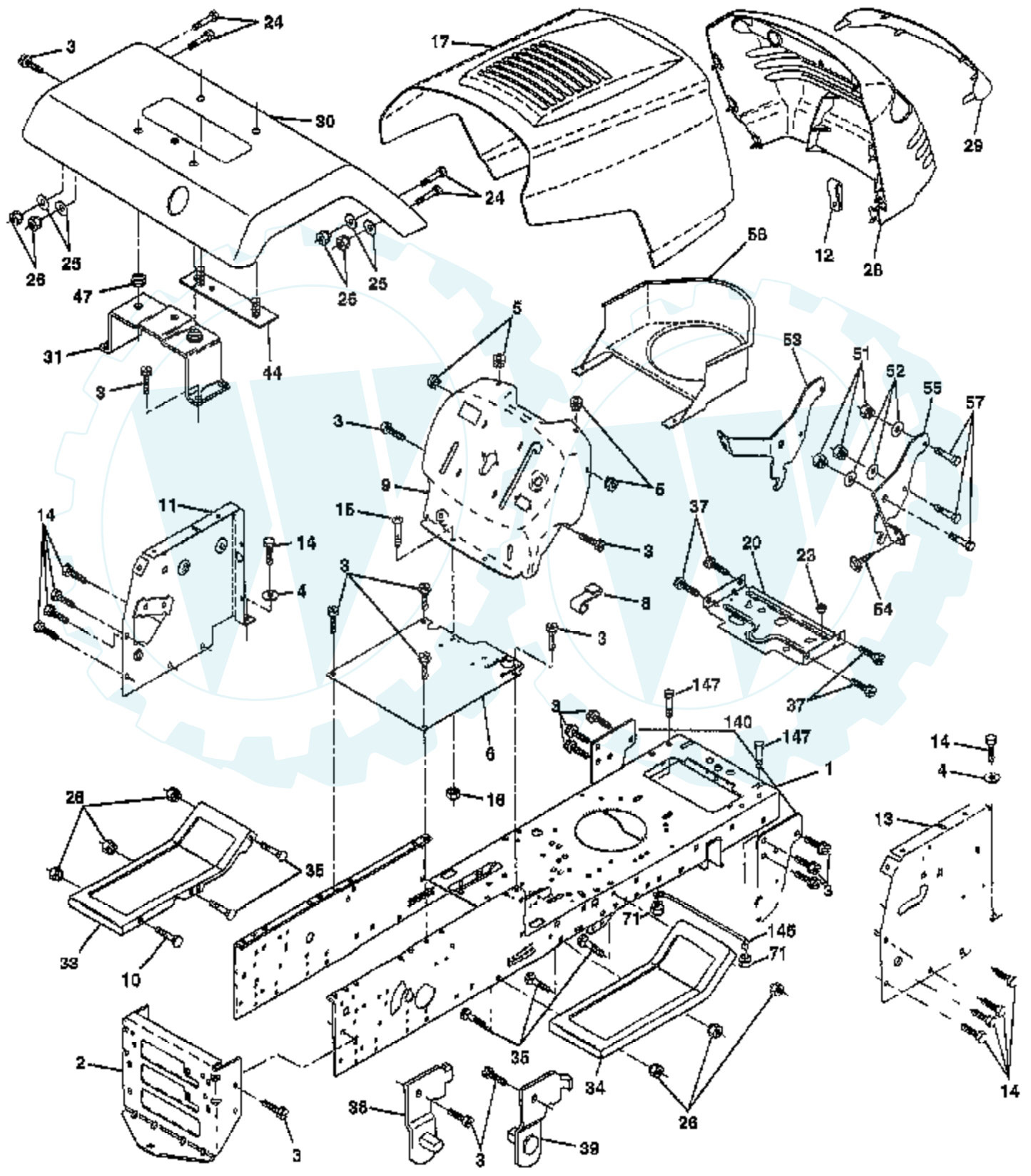


# TRACTOR - - MODEL NUMBER AYP8186B79

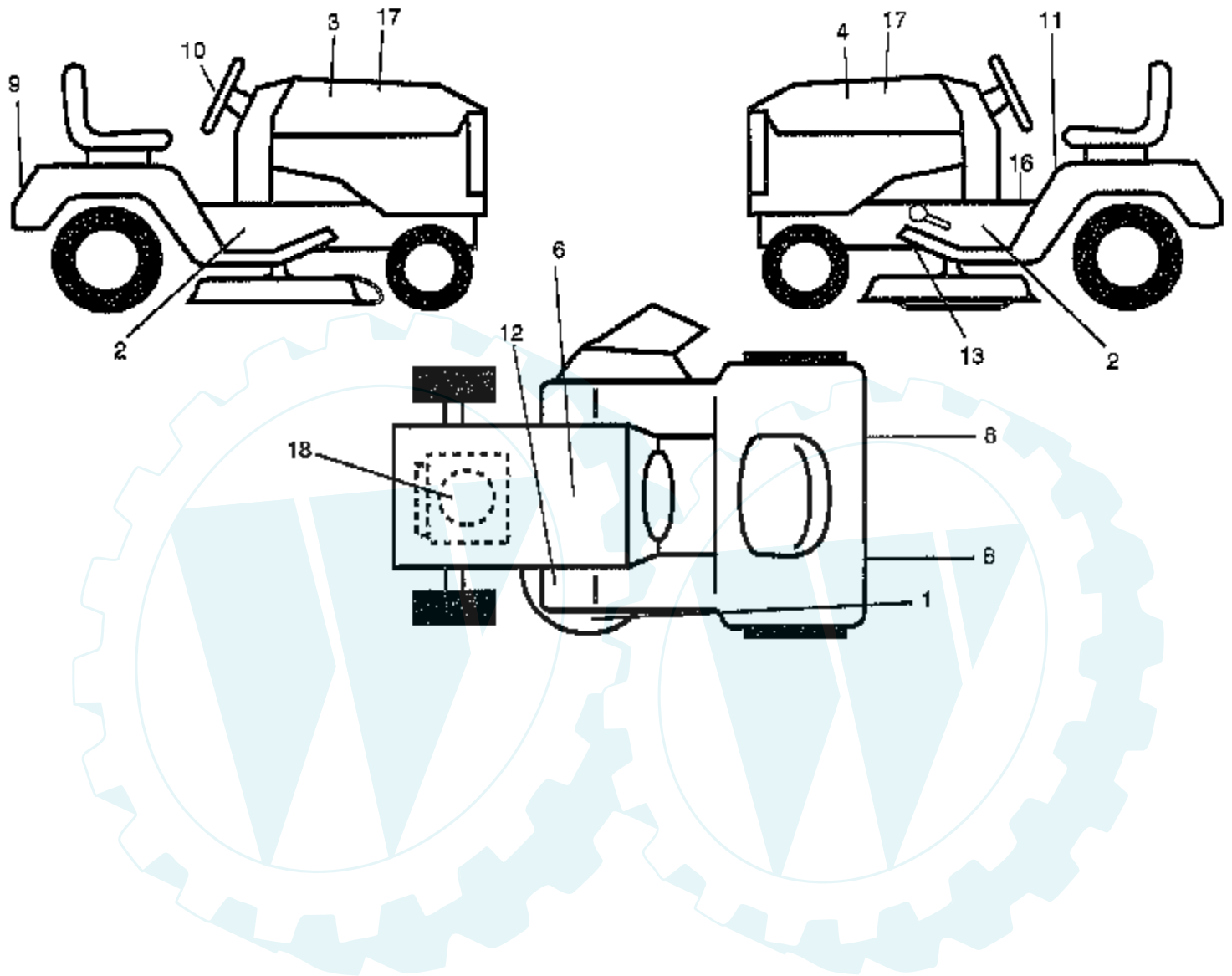
## CHASSIS AND ENCLOSURES



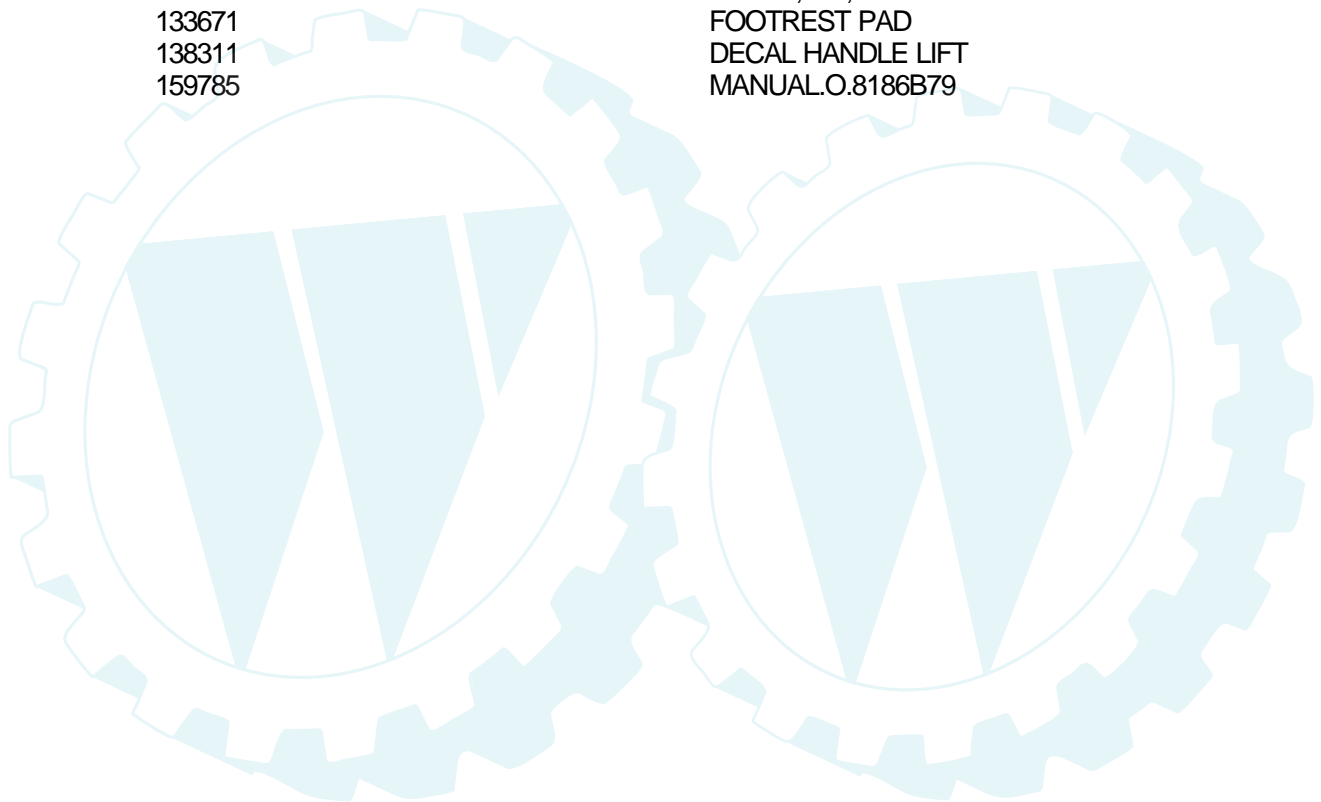
| Ref # | Part Number | Qty | Description         |
|-------|-------------|-----|---------------------|
| 1     | 159530      |     | CHASSIS ASM         |
| 2     | 140356      |     | SUB= 145009         |
| 3     | 17490612    |     | SCREW               |
| 4     | 19131216    |     | WASHER              |
| 5     | 155272      |     | BUMPER-HOOD/DASH    |
| 6     | 155923      |     | SADDLE              |
| 8     | 126471X     |     | "CLIP,INSULATOR"    |
| 9     | 147633X011  |     | DASH SILKSCREEN     |
| 10    | 72140608    |     | SUB= 72110608       |
| 11    | 156682      |     | PANEL ASM DASH LH   |
| 12    | 145660      |     | CLIP.TINNERMAN      |
| 13    | 157230      |     | PANEL DASH RH       |
| 14    | 17490608    |     | SCREW LT            |
| 15    | 74180512    |     | SCREW               |
| 16    | 73510500    |     | NUT                 |
| 17    | 139394X505  |     | SUB= 159639X505     |
| 20    | 156437      |     | "PLATE-MTG,BATT/FU" |
| 23    | 124028X     |     | SUB= 532124028      |
| 24    | 74780616    |     | BOLT                |
| 25    | 19131312    |     | WASHER              |
| 26    | 73800600    |     | NUT                 |
| 28    | 157373      |     | GRILLE-MS428        |
| 29    | 140273      |     | LENS GRILLE         |
| 30    | 140002X505  |     | FENDER.PNT.         |
| 31    | 137113      |     | BRKT.ASM.FENDER     |
| 33    | 145244X505  |     | FOOTREST.LH.LT/GT   |
| 34    | 145243X505  |     | FOOTREST.RH.LT/GT   |
| 35    | 72110606    |     | BOLT                |
| 37    | 17490508    |     | SCREW LT            |
| 38    | 139886      |     | BRACKET ASM LH      |
| 37    | 139887      |     | BRACKET ASM RH      |
| 44    | 140675      |     | STRAP ASM FENDER    |
| 47    | 105531X     |     | NUT-PUSH YT         |
| 51    | 73800400    |     | NUT                 |
| 52    | 19091416    |     | WASHER              |
| 53    | 144697      |     | BRACKET.GRILLE.LH   |
| 54    | 17030814    |     | SUB= 91817030814    |
| 55    | 144696      |     | BRACKET.GRILLE.RH   |
| 57    | 74780412    |     | SUB= 74780414       |
| 58    | 140547      |     | DUCT.AIR.B&S.18HP   |
| 71    | 73680400    |     | SUB= 73690400       |
| 74    | 73680600    |     | SUB= 73690600       |
| 108   | 74760612    |     | SUB= 74780612       |
| 140   | 158418      |     | BRKT SUSPENSION     |
| 145   | 156524      |     | "ROD POVOT,CHASSIS" |
| 147   | 74760412    |     | BOLT LT             |

### TRACTOR -- MODEL NUMBER AYP8186B79

#### DECALS



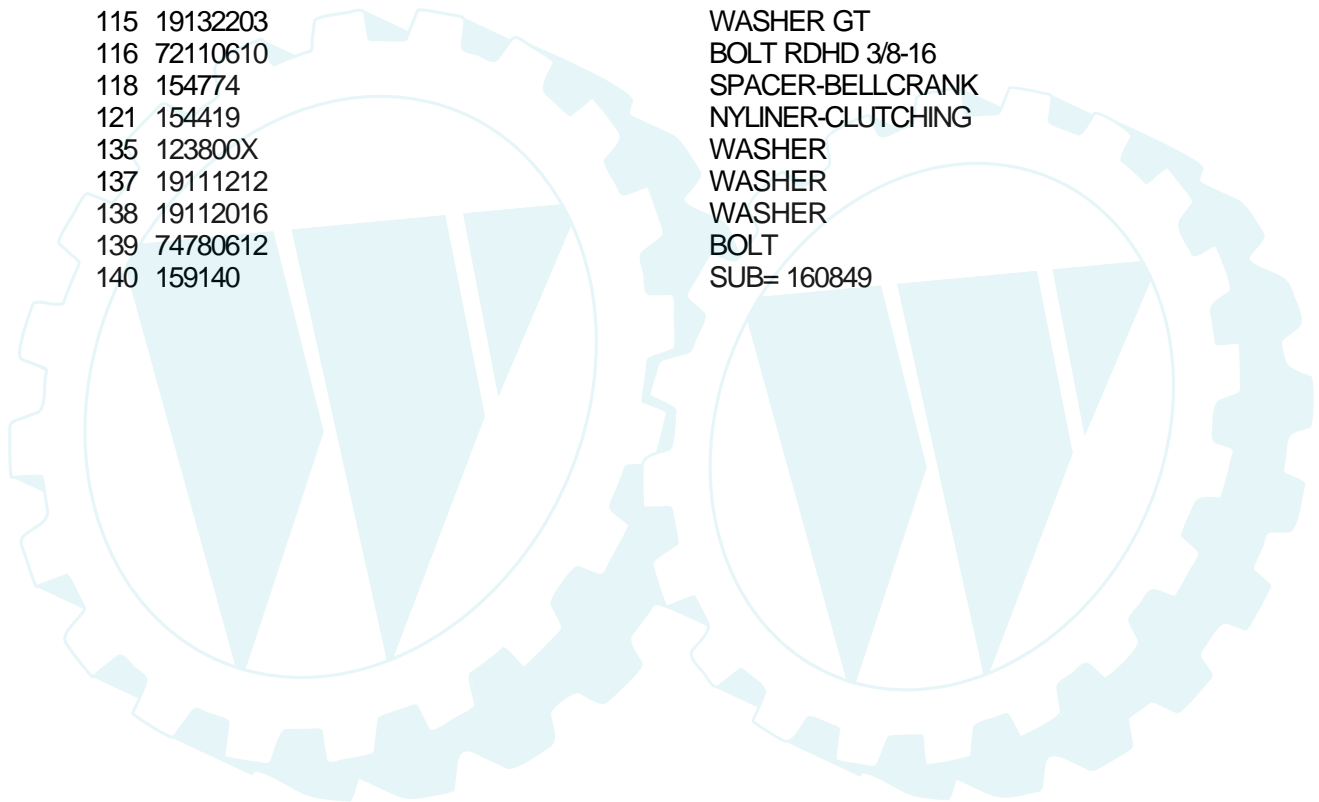
| Ref # | Part Number | Qty | Description         |
|-------|-------------|-----|---------------------|
| 1     | 158169      |     | "DECAL DECK,MULCH"  |
| 2     | 158243      |     | "DECAL CHASSIS 46"" |
| 3     | 146676      |     | DECAL.HD.RH.WIZAR   |
| 4     | 146677      |     | DECAL.HD.LH.WIZAR   |
| 6     | 145005      |     | DECAL.BATRY.3-3908  |
| 8     | 106202X     |     | REFLECTOR-TAIL YT   |
| 9     | 127521      |     | NLA                 |
| 10    | 146678      |     | DECAL.INS.STRG.WL   |
| 11    | 157002      |     | "DECAL DANGER,FEND" |
| 12    | 4900J       |     | DECAL T             |
| 13    | 139346      |     | "DECAL.V.BELT.44""  |
| 16    | 156867      |     | "DECAL DASH,OPER."  |
| 17    | 158270      |     | DECAL INSERT HOOD   |
| 18    | 273063      |     | DECAL, HP, ENGINE   |
|       | 133671      |     | FOOTREST PAD        |
|       | 138311      |     | DECAL HANDLE LIFT   |
|       | 159785      |     | MANUAL.O.8186B79    |





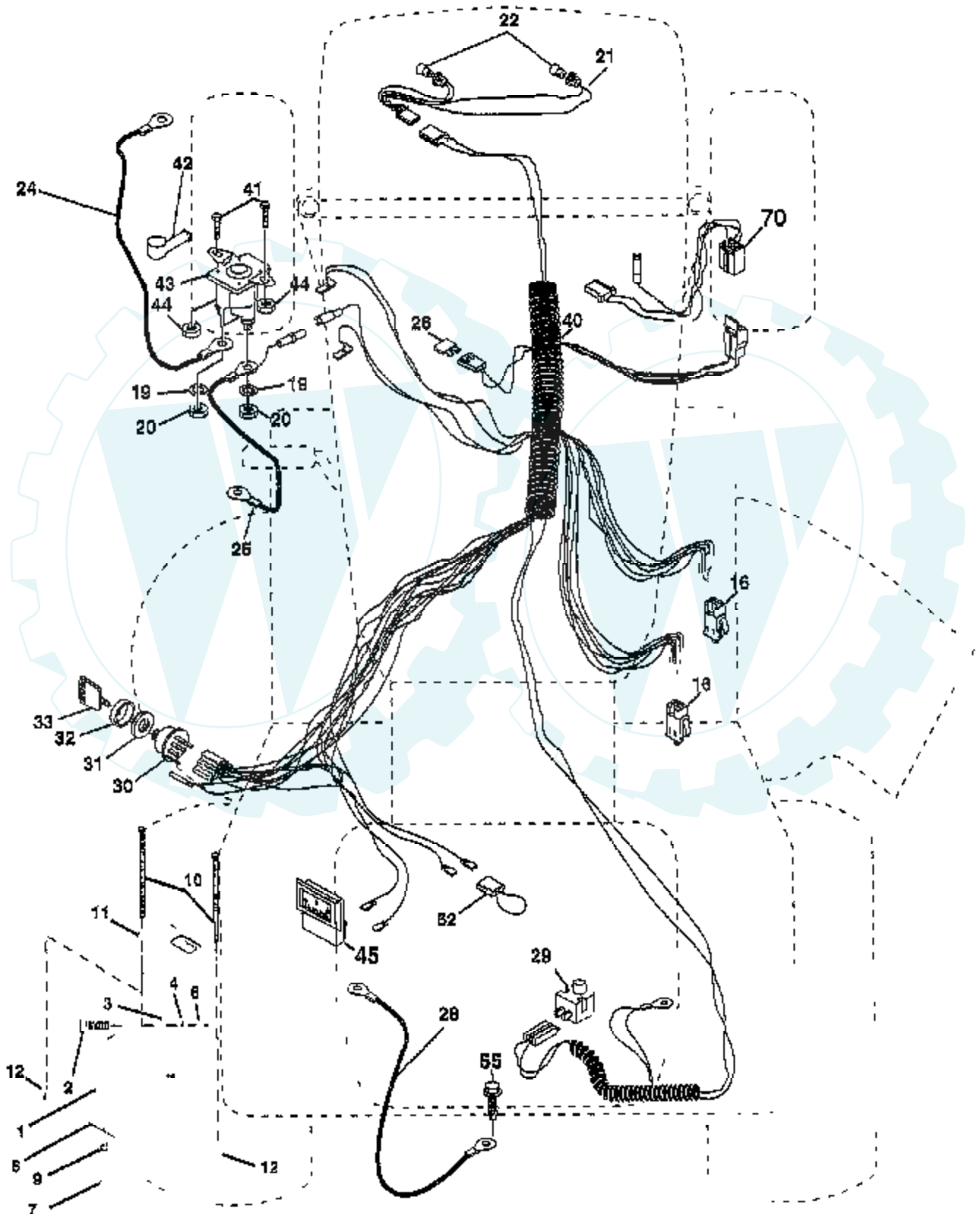
| Ref # | Part Number | Qty | Description         |
|-------|-------------|-----|---------------------|
| 1     |             |     | REFER TO IMAGE      |
| 2     | 110422X     |     | SUB= 146682         |
| 3     | 121327X     |     | PULLEY TRANSAXLE    |
| 5     | 123787X     |     | STRAP TORQUE        |
| 6     | 17490512    |     | SCREW               |
| 8     | 141002      |     | ROD SHIFT FEND YT   |
| 10    | 76020416    |     | PIN COTTER 1/8      |
| 11    | 105701X     |     | WASH-SHFT PLT LT    |
| 13    | 74550412    |     | BOLT.1/4-28.W/PAT   |
| 19    | 73800600    |     | NUT                 |
| 21    | 106933X     |     | KNOB T (1/2-HOLE)   |
| 22    | 145340      |     | ROD.ASM.BK.44.MWR   |
| 24    | 73350600    |     | NUT                 |
| 25    | 126909X     |     | "SPRING,ROD BRAKE"  |
| 26    | 19131316    |     | WASHER              |
| 27    | 76020412    |     | COTTER PIN          |
| 28    | 145204      |     | ROD.BRAKE.PARK.LT   |
| 29    | 124236X     |     | CAP                 |
| 30    | 123780X     |     | BRKT TRANS LH       |
| 31    | 123791X     |     | KEEPER BELT LH      |
| 34    | 155071      |     | SHAFT ASM-PEDAL F   |
| 35    | 120183X     |     | NYLON BEARING       |
| 36    | 19211616    |     | WASHER LT           |
| 37    | 1572H       |     | SUB= 2882J          |
| 38    | 123674X     |     | PULLEY.IDLER.FLAT   |
| 39    | 74760644    |     | BOLT                |
| 40    | 4470J       |     | SPACER T            |
| 41    | 154777      |     | SUB= 165692         |
| 42    | 19131312    |     | WASHER              |
| 47    | 127783      |     | SUB= 139245         |
| 48    | 154604      |     | BELLCRANK ASM       |
| 49    | 123205X     |     | RETAIN BELT         |
| 50    | 74760624    |     | SUB= 74930624       |
| 51    | 73680600    |     | SUB= 73690600       |
| 52    | 73680500    |     | SUB= 73690500       |
| 53    | 105710X     |     | "LINK, CLUTCH T"    |
| 54    | 126471X     |     | "CLIP,INSULATOR"    |
| 55    | 105709X     |     | "SPRING, RETURN LT" |
| 56    | 74760620    |     | SUB= 74780620       |
| 57    | 123796X     |     | BELT.GRDRV.94.75    |
| 58    | 123792X     |     | "KEEPER,BELT RH"    |
| 59    | 140312      |     | KEEPER BELT CNTSP   |
| 61    | 17490612    |     | SCREW               |
| 62    | 8883R       |     | PEDAL COVER T       |
| 63    | 134826      |     | SUB= 136005         |
| 64    | 71170764    |     | BOLT                |
| 65    | 10040700    |     | LOCKWASHER          |
| 66    | 154778      |     | KEEPER-BELT         |
| 70    | 156470      |     | "GUIDE.BELT,RH ENG" |
| 72    | 19132012    |     | WASHER              |
| 74    | 108097X     |     | SPACER HYT          |
| 76    | 12000053    |     | E RING HYT          |
| 77    | 9396E       |     | SQ KEY STD          |
| 79    | 2228M       |     | SUB= 2228M1         |
| 80    | 123794X     |     | "ARM,SHIFT"         |
| 81    | 123772X     |     | "SHAFT,SHIFTER"     |
| 82    | 123782X     |     | "SPRING TORSION"    |
| 83    | 19171216    |     | WASHER              |

| Ref # | Part Number | Qty | Description         |
|-------|-------------|-----|---------------------|
| 84    | 155189      |     | "ROD LINK,SHIFT AD" |
| 85    | 150360      |     | NUT.CNT.LOCK.1/4    |
| 86    | 71208       |     | BUSHING             |
| 87    | 19212016    |     | WASHER D            |
| 88    | 12000008    |     | KLIP RING           |
| 89    | 139992      |     | CONSOLE SHIFTER     |
| 90    | 124346X     |     | NUT                 |
| 96    | 4497H       |     | RETAINER M          |
| 100   | 19111216    |     | WASHER M            |
| 102   | 141322      |     | WASHER BELLEVILLE   |
| 103   | 73940800    |     | SUB= 73360800       |
| 110   | 74760612    |     | SUB= 74780612       |
| 111   | 123776X     |     | BRKT TRANS RH       |
| 112   | 19091216    |     | WASHER PM           |
| 115   | 19132203    |     | WASHER GT           |
| 116   | 72110610    |     | BOLT RDHD 3/8-16    |
| 118   | 154774      |     | SPACER-BELLCRANK    |
| 121   | 154419      |     | NYLINER-CLUTCHING   |
| 135   | 123800X     |     | WASHER              |
| 137   | 19111212    |     | WASHER              |
| 138   | 19112016    |     | WASHER              |
| 139   | 74780612    |     | BOLT                |
| 140   | 159140      |     | SUB= 160849         |



# TRACTOR -- MODEL NUMBER AYP8186B79

## ELECTRICAL

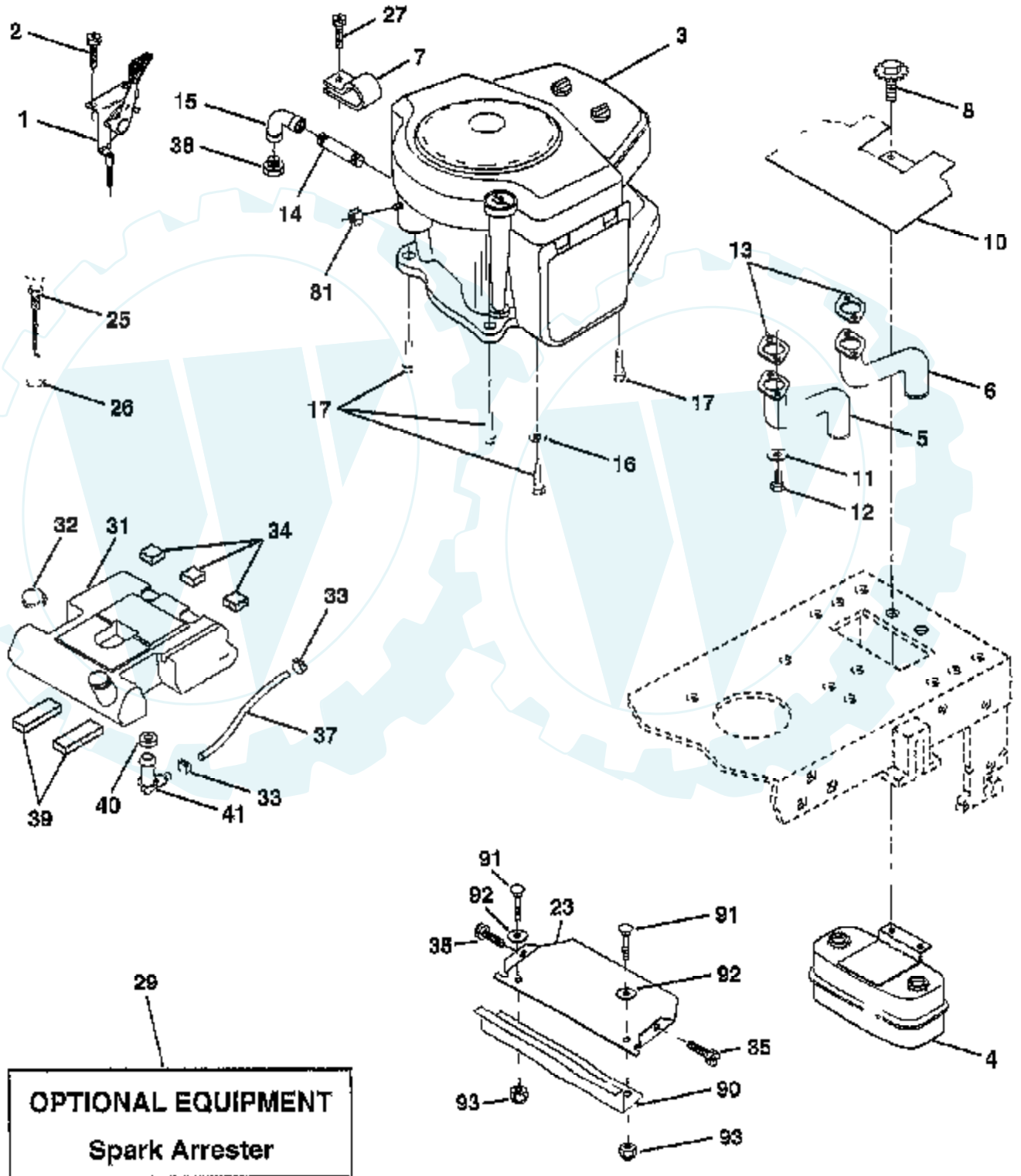




| Ref # | Part Number | Qty | Description         |
|-------|-------------|-----|---------------------|
| 1     | 144925      |     | SUB= 123899X        |
| 2     | 74760412    |     | BOLT LT             |
| 3     | 19091016    |     | WASHER              |
| 4     | 10040400    |     | LOCKWASHER          |
| 6     | 73220400    |     | SUB= 50675          |
| 7     | 7697J       |     | "DRAIN TU T, BATT"  |
| 8     | 7603J       |     | "TRAY T, BATTERY"   |
| 9     | 109596X     |     | HOSE CLAMP T        |
| 10    | 145211      |     | SUB= 150177         |
| 11    | 150109      |     | HOLDDOWN BATTERY    |
| 12    | 145769      |     | SUB= 150177         |
| 16    | 153664      |     | SWITCH INTERLOCK    |
| 19    | 10090400    |     | SUB= 10040400       |
| 20    | 73350400    |     | NUT                 |
| 21    | 136850      |     | "HARNES, LIGHT SOC" |
| 22    | 4152J       |     | HEADLAMP BULB       |
| 24    | 4799J       |     | "CABLE T, BATTERY"  |
| 25    | 146148      |     | CABLE.6GA.22W/16W   |
| 26    | 108824X     |     | FUSE HYT            |
| 28    | 145491      |     | CABLE.GRND.6GA.21   |
| 29    | 121305X     |     | SWITCH SEAT         |
| 30    | 140301      |     | SWITCH IGN 4POS     |
| 31    | 124211X     |     | NUT IGNITION        |
| 32    | 141226      |     | COVER KEY SWITCH    |
| 33    | 122147X     |     | KEY                 |
| 40    | 156442      |     | HARNES-IGNITION     |
| 41    | 71110408    |     | BOLT HXHD FIN       |
| 42    | 131563      |     | SUB= 154336         |
| 43    | 145673      |     | SUB= 146154         |
| 44    | 73640400    |     | NUT HXKEP 1/4X20    |
| 45    | 121433X     |     | SUB= 122822X        |
| 52    | 141940      |     | PROTECTION LOOP     |
| 55    | 17490508    |     | SCREW LT            |
| 70    | 140413      |     | HARNES ENG DUAL     |

# TRACTOR - - MODEL NUMBER AYP8186B79

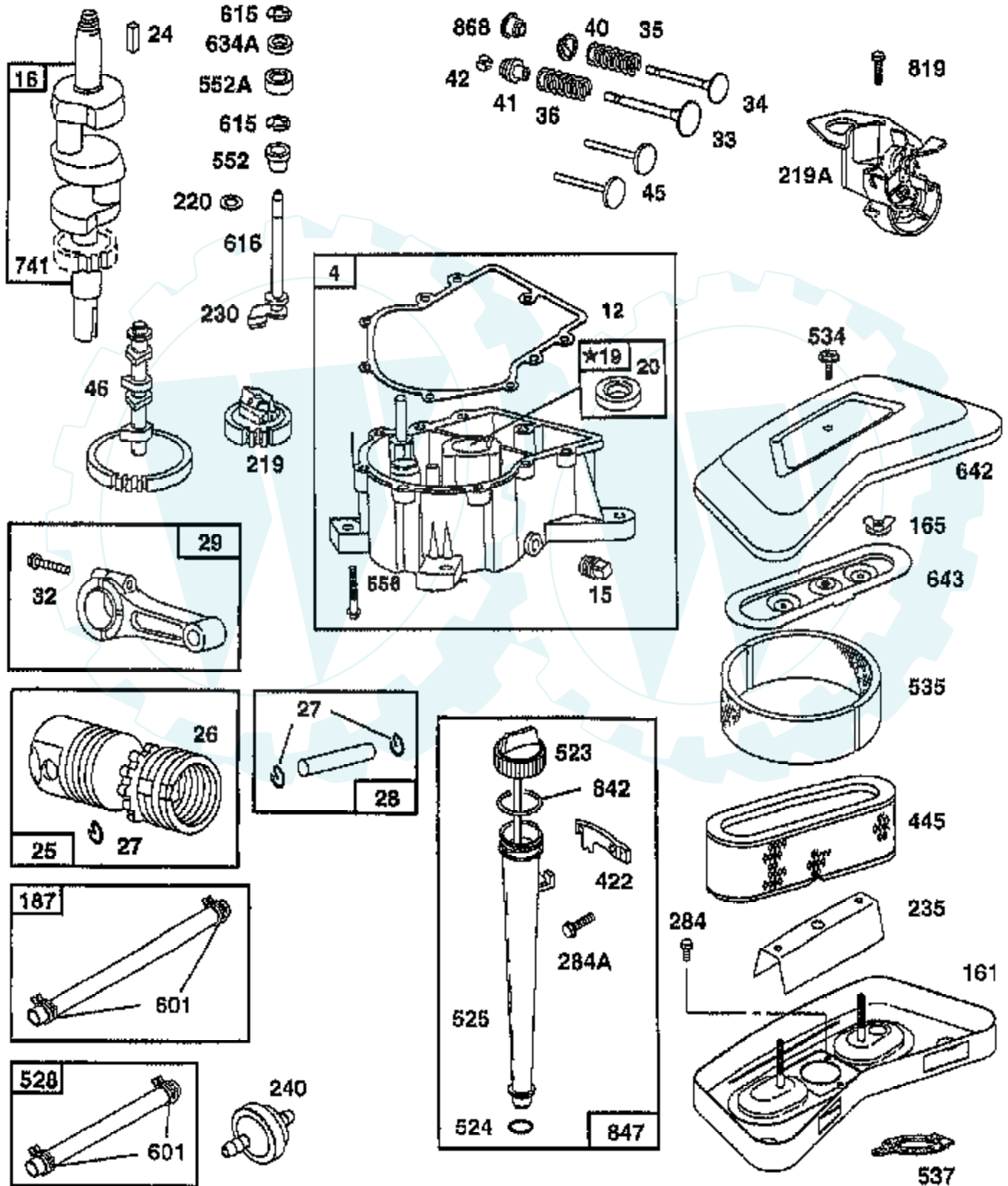
## ENGINE



| Ref # | Part Number | Qty | Description         |
|-------|-------------|-----|---------------------|
| 1     | 141295      |     | CONTROL THRT 35.5   |
| 2     | 17720410    |     | SCREW LT            |
| 3     | 42D707      |     | ENGINE, BRIGGS      |
| 4     | 149723      |     | MUFFLER.TW.LOTONE   |
| 5     | 144068      |     | EXHAUST.B&S.18.RH   |
| 6     | 144069      |     | EXHAUST.B&S.18.LH   |
| 7     | 138129      |     | CLAMP.TUBE.DBL.EN   |
| 8     | 150176      |     | BOLT.5/16-18.UNC    |
| 10    | 145552      |     | SHIELD.HEAT.        |
| 11    | 10040400    |     | LOCKWASHER          |
| 12    | 74780412    |     | SUB= 74780414       |
| 13    | 272250      |     | GASKET MUFFLER      |
| 14    | 13280336    |     | PIPE NIPPLE LT      |
| 15    | 13200300    |     | ELBOW               |
| 16    | 11050600    |     | LOCKWASHER          |
| 17    | 17490624    |     | SCREW LT            |
| 23    | 156123      |     | SHIELD-HEAT         |
| 25    | 145996      |     | CONTROL.CHOKE.37    |
| 26    | 73920600    |     | "NUT,KEPS 3/8-24IM" |
| 27    | 152927      |     | "SCREW-TT,10-32 FL" |
| 29    | 137180      |     | SUB= 532137180      |
| 31    | 151346      |     | TANK FUEL REAR      |
| 32    | 140527      |     | CAP ASM FUEL        |
| 33    | 123487X     |     | HOSE CLAMP          |
| 34    | 106082X     |     | PAD-SPACER LT       |
| 35    | 17490512    |     | SCREW               |
| 37    | 8543R       |     | FUEL LINE T         |
| 38    |             |     | REFER TO IMAGE      |
| 39    | 109227X     |     | PAD IDLER TI        |
| 40    | 3645J       |     | BUSHING OUTLET T    |
| 41    | 139277      |     | STEM.TANK.FUEL      |
| 81    | 128861      |     | NUT                 |
| 90    | 159520      |     | GUARD-DEBRIS        |
| 91    | 71110408    |     | BOLT HXHD FIN       |
| 92    | 19091016    |     | WASHER              |
| 93    | 123976X     |     | SUB= 73900400       |

### TRACTOR - - MODEL NUMBER AYP8186B79

BRIGGS AND STRATTON ENGINE - MODEL NUMBER 42D707, TYPE 1280-01

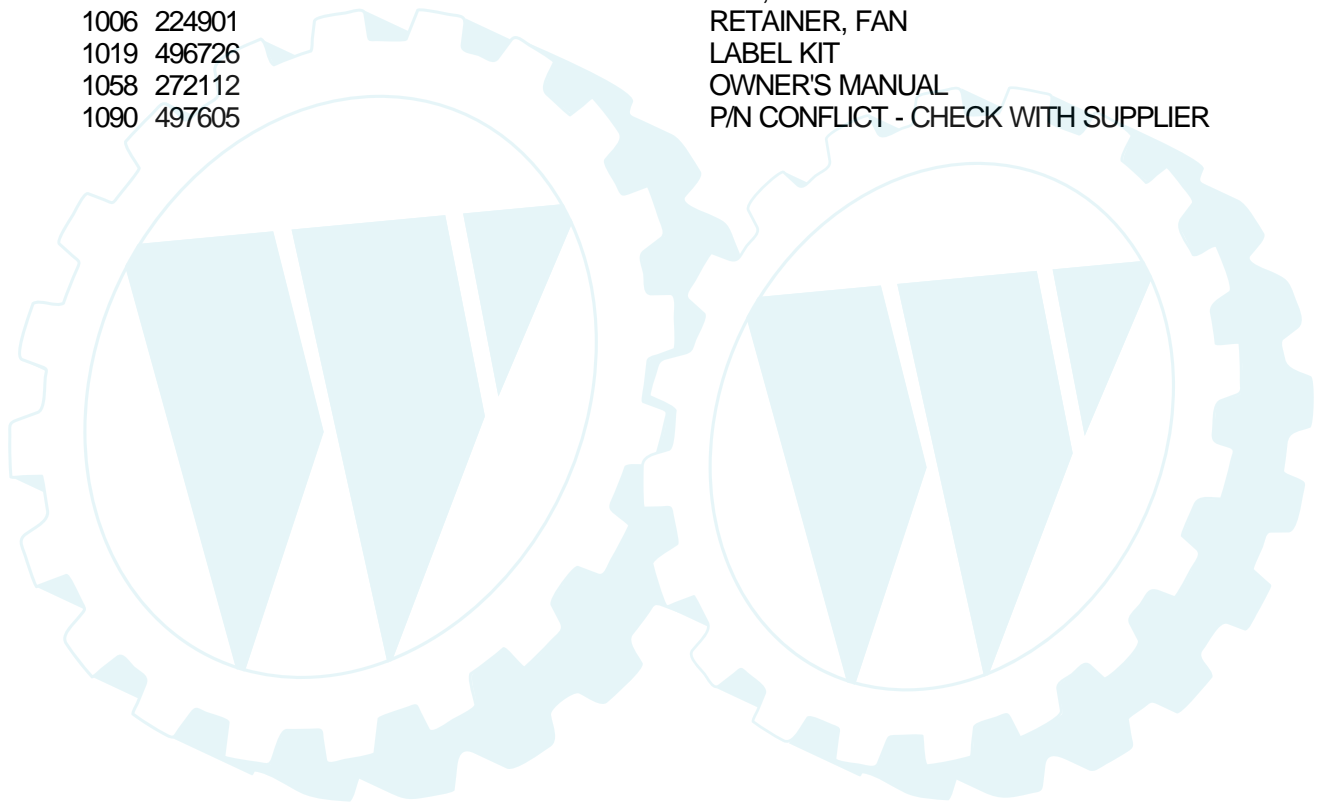


| Ref # | Part Number | Qty | Description                             |
|-------|-------------|-----|---|
| 1     | 497074      |     | CYLINDER ASSEMBLY                       |
| 2     | 399265      |     | P/N CONFLICT - CHECK WITH SUPPLIER      |
| 3     | 391086      |     | SEAL, OIL                               |
| 4     | 493304      |     | BASE ASSEMBLY, CRANKCASE                |
| 5     | 493457      |     | HEAD, CYLINDER #1                       |
| 5A    | 493458      |     | HEAD CYLINDER #2                        |
| 7     | 271867      |     | GASKET, CYLINDER HEAD #1                |
| 7A    | 271868      |     | GASKET, CYLINDER HEAD #2                |
| 8     | 495754      |     | BREATHER ASSEMBLY #1                    |
| 8A    | 222892      |     | COVER, BREATHER CYLINDER #2             |
| 9     | 27803       |     | GASKET, VALVE COVER                     |
| 10    | 94382       |     | SCREW, SEMS                             |
| 10A   | 94830       |     | SCREW, SEMS                             |
| 11    | 280225      |     | TUBE, BREATHER                          |
| 12    | 273208      |     | GASKET, CRANKCASE, .015" THICK          |
| 12A   | 271188      |     | GASKET, CRANKCASE COVER,.005"           |
| 12B   | 271189      |     | GASKET, CRANKCASE COVER,.009"           |
| 13    | 94565       |     | SCREW, CYLINDER HEAD                    |
| 15    | 94239       |     | PLUG, OIL DRAIN                         |
| 16    | 394028      |     | CRANKSHAFT                              |
| 16A   | 94196       |     | KEY, TIMING GEAR                        |
| 20    | 291675      |     | SEAL, OIL                               |
| 22    | 94724       |     | SCREW                                   |
| 23    | 491180      |     | FLYWHEEL & RING GEAR ASSY, MAGNETO      |
| 24    | 222698      |     | KEY, FLYWHEEL                           |
| 25    | 498584      |     | PISTON ASSEMBLY STANDARD SIZE           |
| 25A   | 498585      |     | PISTON ASSEMBLY .010" OVERSIZE          |
| 25B   | 498586      |     | PISTON ASSEMBLY .020" OVERSIZE          |
| 25C   | 498507      |     | PISTON ASSEMBLY .030" OVERSIZE          |
| 26    | 394959      |     | RING SET, PISTON, STANDARD SIZE         |
| 26A   | 394960      |     | RING SET, PISTON,.010" OVERSIZE         |
| 26B   | 394961      |     | RING SET, PISTON,.020" OVERSIZE         |
| 26C   | 394962      |     | RING SET, PISTON,.030" OVERSIZE         |
| 27    | 263129      |     | LOCK, PISTON PIN                        |
| 28    | 498319      |     | PIN, PISTON, STD SIZE                   |
| 28A   | 391286      |     | PIN ASSEMBLY, PISTON .005" OVER         |
| 29    | 394306      |     | ROD ASSEMBLY, CONNECTING                |
| 29A   | 397158      |     | ROD ASSEMBLY, CONNECTING                |
| 32    | 94671       |     | SCREW, CONNECTING ROD                   |
| 33    | 390420      |     | VALVE, EXHAUST                          |
| 34    | 261528      |     | VALVE, INTAKE                           |
| 35    | 65906       |     | SPRING, INTAKE VALVE                    |
| 36    | 26828       |     | SPRING, EXHAUST VALVE                   |
| 40    | 221596      |     | RETAINER, INTAKE VALVE                  |
| 41    | 292260      |     | RETAINER, EXHAUST VALVE                 |
| 42    | 494553      |     | KEEPER VALVE                            |
| 45    | 261368      |     | TAPPET, VALVE                           |
| 46    | 213520      |     | GEAR, CAM                               |
| 50    | 213290      |     | MANIFOLD, INTAKE                        |
| 51    | 271412      |     | GASKET, CARBURETOR & INTAKE ELBOE       |
| 51A   | 281411      |     | SPACER, CARBURETOR                      |
| 52    | 270884      |     | GASKET, INTAKE MANIFOLD MOUNTING        |
| 53    | 93970       |     | SCREW, SEMS, CARBURETOR MOUNTING        |
| 54    | 93208       |     | SCREW, SEMS INTAKE MANIFOLDING MOUNTING |
| 75    | 222511      |     | WASHER SPRING                           |
| 78    | 95039       |     | SCREW HEX                               |
| 90    | 495181      |     | CARBURETOR ASSEMBLY                     |
| 93    | 231209      |     | BUSHING, THROTTLE SHAFT                 |

| Ref # | Part Number | Qty | Description                       |
|-------|-------------|-----|-----------------------------------|
| 94    | 491538      |     | VALVE ASSEMBLY, CARBURETOR IDLE   |
| 95    | 93499       |     | SCREW                             |
| 96    | 221939      |     | VALVE, THROTTLE                   |
| 97    | 392672      |     | SHAFT AND LEVER, THROTTLE         |
| 98    | 91920       |     | SCREW, MACHINE, FILLISTER HEAD    |
| 99    | 26157       |     | SPRING, THROTTLE ADJUSTMENT       |
| 102   | 271607      |     | GASKET, CARBURETOR BODY           |
| 103   | 298514      |     | FLOAT, CARBURETOR                 |
| 104   | 231435      |     | PIN FLOAT HINGE                   |
| 105   | 394683      |     | VALVE, FUEL INLET                 |
| 107   | 491543      |     | BODY, LOWER CARBURETOR            |
| 108   | 223534      |     | VALVE, CHOKE                      |
| 109   | 392673      |     | SHAFT AND LEVER, CHOKE            |
| 116   | O-RING      |     | O-RING                            |
| 117   | 231338      |     | JET, NEEDLE VALVE                 |
| 117A  | 231333      |     | JET NEEDLE VALV FXD HI ALT        |
| 119   | 94152       |     | SCREW, SEMS, HEX HEAD             |
| 121   | 491539      |     | CARBURETOR OVERHAUL KIT           |
| 127   | 223472      |     | PLUG, WELCH                       |
| 161   | 496599      |     | BODY, AIR CLEANER                 |
| 165   | 94289       |     | NUT, WING                         |
| 187   | 299146      |     | LINE, FUEL, 28"(CUT TO SUIT)      |
| 188   | 94627       |     | SCREW, SEMS 3/4"                  |
| 201   | 262683      |     | LINK, GOVENOR                     |
| 202   | 262684      |     | LINK. THROTTLE                    |
| 203   | 280997      |     | CRANK, BELL                       |
| 205   | 93971       |     | SCREW, SHOULDER                   |
| 206   | 94298       |     | NUT, SQUARE                       |
| 207   | 262337      |     | SPRING, COMPRESSION               |
| 209   | 262352      |     | SPRING, GOVERNOR                  |
| 209A  | 261563      |     | SPRING, GOVERNOR IDLE             |
| 219   | 394348      |     | GEAR, GOVERNOR                    |
| 219A  | 393415      |     | OIL SLINGER ASSEMBLY              |
| 220   | 222773      |     | WASHER, THRUST                    |
| 222   | 491282      |     | PLATE ASSEMBLY, GOVERNOR CONTROL  |
| 224   | 94297       |     | SCREW, PAN HEAD                   |
| 227   | 491297      |     | LEVER ASSEMBLY, GOVERNOR          |
| 229   | 62199       |     | WASHER                            |
| 230   | 223882      |     | WASHER, GOVERNOR CRANK, INSIDE    |
| 235   | 224995      |     | SHIELD, SPITBACK                  |
| 240   | 394358      |     | FILTER, FUEL                      |
| 244   | 230318      |     | CONNECTOR, IMPULSE PUMP           |
| 257   | 93897       |     | SCREW, SEMS                       |
| 258   | 94623       |     | SCREW, SEMS, CYLINDER SHIELD MTG. |
| 259   | 223890      |     | BRACKET, CABLE                    |
| 265   | 221535      |     | CLAMP                             |
| 267   | 94906       |     | SCREW                             |
| 284   | 94674       |     | SCREW, HEX HEAD                   |
| 284A  | 94882       |     | SCREW, HEX HEAD                   |
| 304   | 495469      |     | HOUSING, BLOWER, RED              |
| 305   | 94786       |     | SCREW                             |
| 306   | 222846      |     | SHIELD, CYLINDER                  |
| 306A  | 223734      |     | SHIELD, CYLINDER                  |
| 307   | 94930       |     | SCREW                             |
| 308   | 224774      |     | COVER, AIR GUIDE                  |
| 308A  | 224775      |     | COVER, AIR GUIDE                  |
| 309   | 497596      |     | MOTOR, STARTER                    |
| 310   | 94003       |     | BOLT                              |

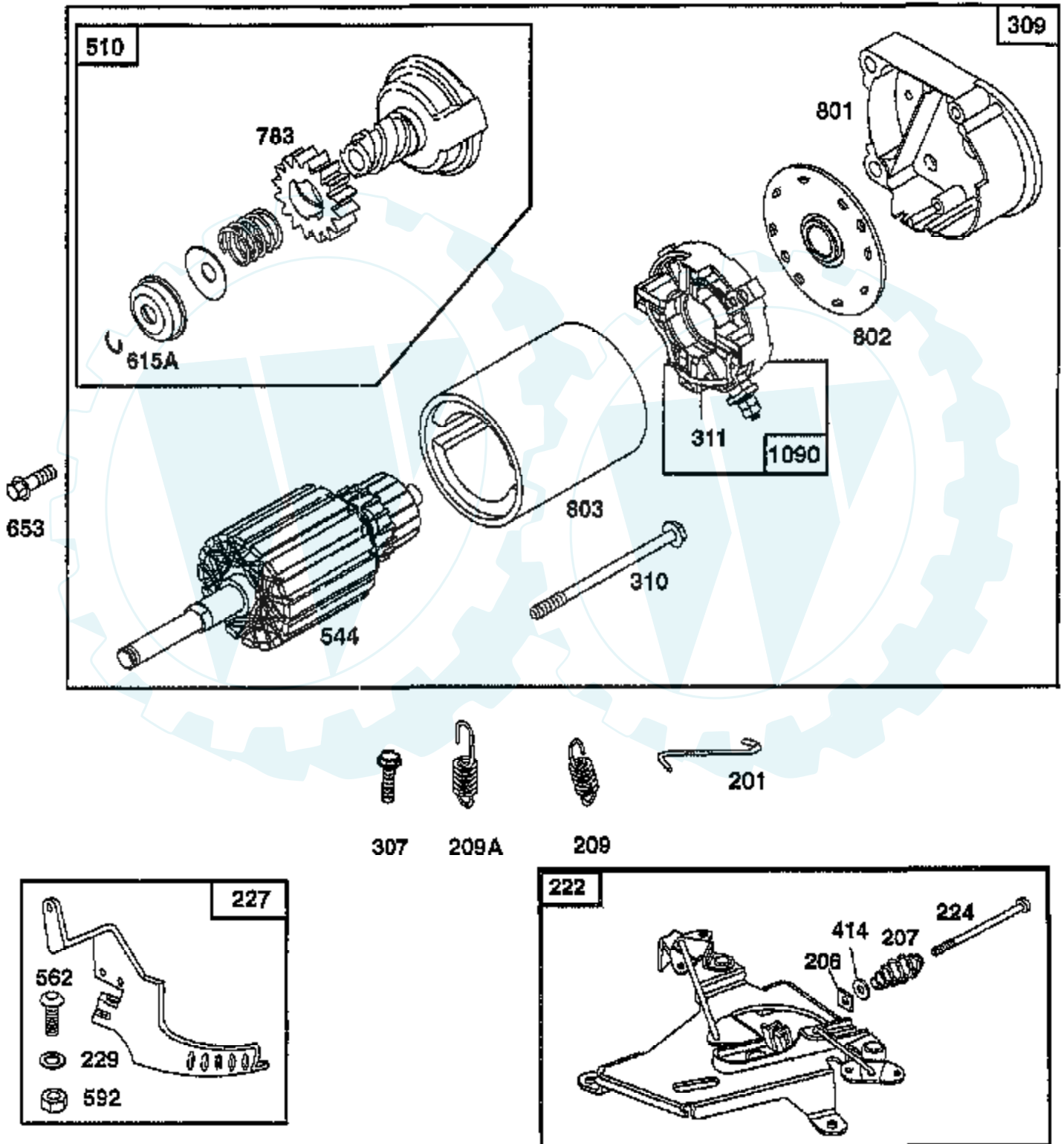
| Ref # | Part Number | Qty | Description                        |
|-------|-------------|-----|------------------------------------|
| 311   | 497608      |     | BRUSH SET                          |
| 332   | 230674      |     | NUT, HEX                           |
| 333   | 394891      |     | ARMATURE GROUP MAGNETRON IGNITION  |
| 334   | 94731       |     | SCREW, SEMS                        |
| 337   | 802592      |     | PLUG, SPARK                        |
| 356   | 494705      |     | WIRE, STOP                         |
| 358   | 491856      |     | GASKET SET                         |
| 363   | 19203       |     | PULLER, FLYWHEEL                   |
| 383   | 89838       |     | WRENCH SPARK PLUG                  |
| 387   | 280197      |     | BODY, PUMP                         |
| 392   | 261395      |     | SPRING, PUMP                       |
| 394   | 270988      |     | DIAPHRAGM                          |
| 414   | 220680      |     | WASHER                             |
| 422   | 222875      |     | CLAMP, OIL FILLER                  |
| 432   | 221377      |     | CAP, SPRING                        |
| 434   | 223688      |     | COVER, DIAPHRAGM                   |
| 435   | 93829       |     | SCREW, DIAPHRAGM COVER             |
| 445   | 394019      |     | CARTRIDGE AIR CLEANER              |
| 468   | 497908      |     | SCREEN, ROTATING                   |
| 474   | 393474      |     | STATOR, ALTERNATOR, DUAL CIRCUIT   |
| 482   | 93621       |     | SCREW, SEMS                        |
| 510   | 497606      |     | DRIVE, STARTER                     |
| 523   | 494947      |     | CAP AND DIPSTICK                   |
| 524   | 271157      |     | SEAL, FILLER TUBE                  |
| 525   | 495348      |     | TUBE, OIL FILLER                   |
| 528   | 383815      |     | HOSE, VACUUM                       |
| 534   | 94823       |     | SCREW ROUND HEAD                   |
| 535   | 272490      |     | ELEMENT, FILTER                    |
| 537   | 271411      |     | GASKET AIR CLEANER                 |
| 544   | 497603      |     | ARMATURE, STARTER                  |
| 552   | 262332      |     | LOWER BUSHING, GOVERNOR            |
| 552A  | 262331      |     | UPPER BUSHING GOVERNOR             |
| 556   | 93585       |     | SCREW, HEX HEAD                    |
| 562   | 93853       |     | BOLT, GOVERNOR LEVER               |
| 567   | 94811       |     | SCREW, HEX HEAD                    |
| 569   | 272645      |     | GASKET, CRANKCASE                  |
| 572   | 224816      |     | BAFFLE, AIR, CYLINDER #2           |
| 573   | 491304      |     | BACK PLATE ASSEMBLY                |
| 592   | 92278       |     | NUT, HEX                           |
| 601   | 93053       |     | CLAMP, HOSE, GREEN                 |
| 615   | 94296       |     | RETAINER, E-RING                   |
| 615A  | 263080      |     | RETAINER                           |
| 616   | 491530      |     | CRANK, GOVERNOR                    |
| 634   | 271013      |     | WASHER, THROTTLE SHAFT             |
| 634A  | 491287      |     | SEAL, GOVERNOR SHAFT               |
| 635   | 66538       |     | ELBOW, SPARK PLUG                  |
| 642   | 225008      |     | COVER, AIR CLEANER                 |
| 643   | 496700      |     | CARTRIDGE PLATES AIR CLEANER       |
| 653   | 93585       |     | SCREW, HEX HEAD                    |
| 726   | 391362      |     | GEAR, RING                         |
| 741   | 262989      |     | GEAR, TIMING                       |
| 783   | 280104      |     | GEAR, STARTER                      |
| 801   | 394860      |     | CAP, DRIVE                         |
| 802   | 497607      |     | P/N CONFLICT - CHECK WITH SUPPLIER |
| 803   | 497604      |     | HOUSING, STARTER                   |
| 819   | 94675       |     | SCREW, HEX HEAD                    |
| 842   | 270920      |     | SEAL, OIL FILLER CAP               |
| 847   | 495715      |     | DIPSTICK & TUBE ASSY               |

| Ref # | Part Number | Qty | Description                        |
|-------|-------------|-----|------------------------------------|
| 851   | 493880      |     | TERMINAL, IGNITION CABLE           |
| 858   | 270989      |     | DIAPHRAGM, DAMPING                 |
| 859   | 271025      |     | GASKET, CARBURETOR                 |
| 860   | 261358      |     | SPRING, DIAPHRAGM                  |
| 861   | 393397      |     | PUMP REPAIR KIT                    |
| 868   | 497212      |     | SEAL, VALVE                        |
| 869   | 261463      |     | SEAT, INTAKE VALVE, STANDARD       |
| 870   | 213316      |     | SEAT, EXHAUST VALVE, STANDARD      |
| 871   | 261961      |     | GUIDE, EXHAUST VALVE               |
| 871A  | 231218      |     | GUIDE, INTAKE VALVE                |
| 877   | 393456      |     | DIODE & CONNECTOR ASSY             |
| 881   | 495901      |     | COVER PLATE                        |
| 955   | 397882      |     | PLUG & SEAL, SOLENOID              |
| 1005  | 281053      |     | FAN, FLYWHEEL                      |
| 1006  | 224901      |     | RETAINER, FAN                      |
| 1019  | 496726      |     | LABEL KIT                          |
| 1058  | 272112      |     | OWNER'S MANUAL                     |
| 1090  | 497605      |     | P/N CONFLICT - CHECK WITH SUPPLIER |





**TRACTOR - - MODEL NUMBER AYP8186B79**  
**BRIGGS AND STRATTON ENGINE - MODEL NUMBER 42D707, TYPE 1280-01**

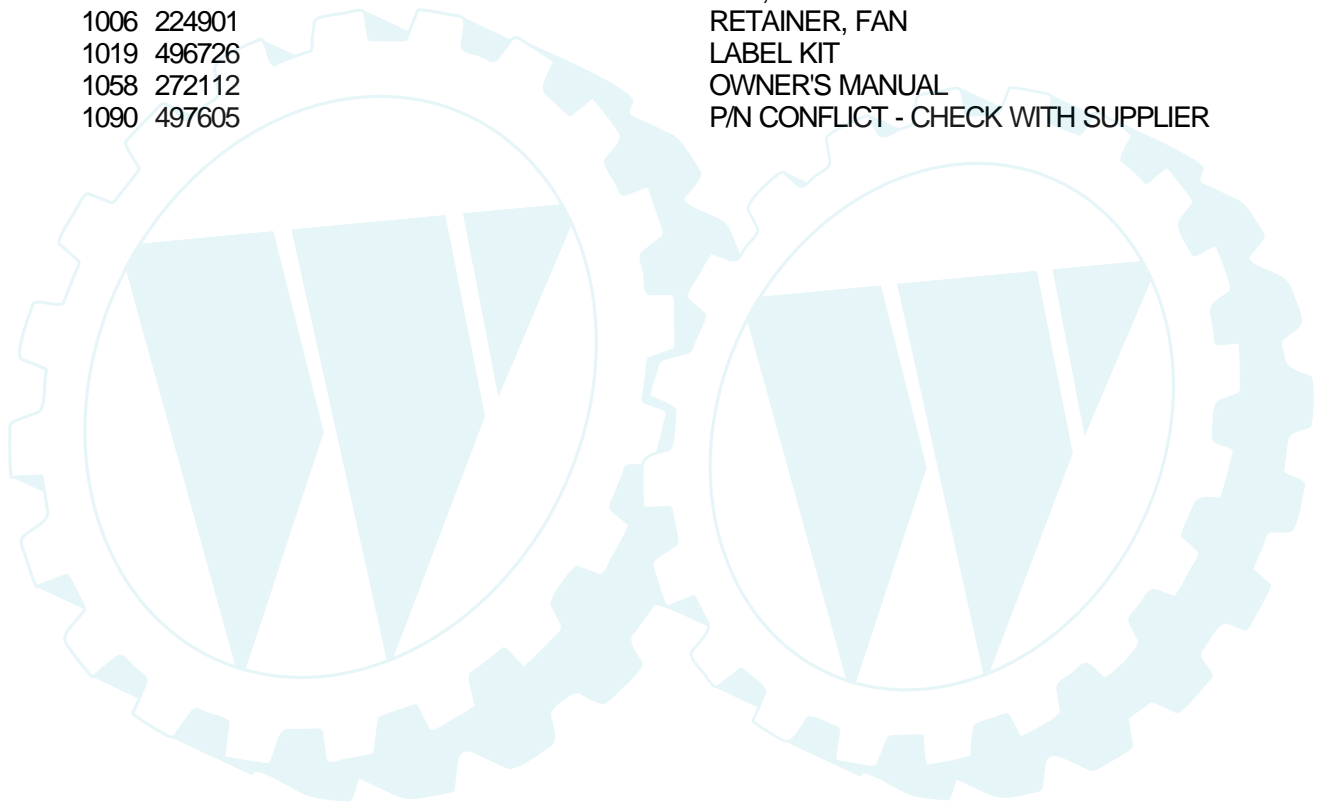


| Ref # | Part Number | Qty | Description                             |
|-------|-------------|-----|---|
| 1     | 497074      |     | CYLINDER ASSEMBLY                       |
| 2     | 399265      |     | P/N CONFLICT - CHECK WITH SUPPLIER      |
| 3     | 391086      |     | SEAL, OIL                               |
| 4     | 493304      |     | BASE ASSEMBLY, CRANKCASE                |
| 5     | 493457      |     | HEAD, CYLINDER #1                       |
| 5A    | 493458      |     | HEAD CYLINDER #2                        |
| 7     | 271867      |     | GASKET, CYLINDER HEAD #1                |
| 7A    | 271868      |     | GASKET, CYLINDER HEAD #2                |
| 8     | 495754      |     | BREATHER ASSEMBLY #1                    |
| 8A    | 222892      |     | COVER, BREATHER CYLINDER #2             |
| 9     | 27803       |     | GASKET, VALVE COVER                     |
| 10    | 94382       |     | SCREW, SEMS                             |
| 10A   | 94830       |     | SCREW, SEMS                             |
| 11    | 280225      |     | TUBE, BREATHER                          |
| 12    | 273208      |     | GASKET, CRANKCASE, .015" THICK          |
| 12A   | 271188      |     | GASKET, CRANKCASE COVER,.005"           |
| 12B   | 271189      |     | GASKET, CRANKCASE COVER,.009"           |
| 13    | 94565       |     | SCREW, CYLINDER HEAD                    |
| 15    | 94239       |     | PLUG, OIL DRAIN                         |
| 16    | 394028      |     | CRANKSHAFT                              |
| 16A   | 94196       |     | KEY, TIMING GEAR                        |
| 20    | 291675      |     | SEAL, OIL                               |
| 22    | 94724       |     | SCREW                                   |
| 23    | 491180      |     | FLYWHEEL & RING GEAR ASSY, MAGNETO      |
| 24    | 222698      |     | KEY, FLYWHEEL                           |
| 25    | 498584      |     | PISTON ASSEMBLY STANDARD SIZE           |
| 25A   | 498585      |     | PISTON ASSEMBLY .010" OVERSIZE          |
| 25B   | 498586      |     | PISTON ASSEMBLY .020" OVERSIZE          |
| 25C   | 498507      |     | PISTON ASSEMBLY .030" OVERSIZE          |
| 26    | 394959      |     | RING SET, PISTON, STANDARD SIZE         |
| 26A   | 394960      |     | RING SET, PISTON,.010" OVERSIZE         |
| 26B   | 394961      |     | RING SET, PISTON,.020" OVERSIZE         |
| 26C   | 394962      |     | RING SET, PISTON,.030" OVERSIZE         |
| 27    | 263129      |     | LOCK, PISTON PIN                        |
| 28    | 498319      |     | PIN, PISTON, STD SIZE                   |
| 28A   | 391286      |     | PIN ASSEMBLY, PISTON .005" OVER         |
| 29    | 394306      |     | ROD ASSEMBLY, CONNECTING                |
| 29A   | 397158      |     | ROD ASSEMBLY, CONNECTING                |
| 32    | 94671       |     | SCREW, CONNECTING ROD                   |
| 33    | 390420      |     | VALVE, EXHAUST                          |
| 34    | 261528      |     | VALVE, INTAKE                           |
| 35    | 65906       |     | SPRING, INTAKE VALVE                    |
| 36    | 26828       |     | SPRING, EXHAUST VALVE                   |
| 40    | 221596      |     | RETAINER, INTAKE VALVE                  |
| 41    | 292260      |     | RETAINER, EXHAUST VALVE                 |
| 42    | 494553      |     | KEEPER VALVE                            |
| 45    | 261368      |     | TAPPET, VALVE                           |
| 46    | 213520      |     | GEAR, CAM                               |
| 50    | 213290      |     | MANIFOLD, INTAKE                        |
| 51    | 271412      |     | GASKET, CARBURETOR & INTAKE ELBOE       |
| 51A   | 281411      |     | SPACER, CARBURETOR                      |
| 52    | 270884      |     | GASKET, INTAKE MANIFOLD MOUNTING        |
| 53    | 93970       |     | SCREW, SEMS, CARBURETOR MOUNTING        |
| 54    | 93208       |     | SCREW, SEMS INTAKE MANIFOLDING MOUNTING |
| 75    | 222511      |     | WASHER SPRING                           |
| 78    | 95039       |     | SCREW HEX                               |
| 90    | 495181      |     | CARBURETOR ASSEMBLY                     |
| 93    | 231209      |     | BUSHING, THROTTLE SHAFT                 |

| Ref # | Part Number | Qty | Description                       |
|-------|-------------|-----|-----------------------------------|
| 94    | 491538      |     | VALVE ASSEMBLY, CARBURETOR IDLE   |
| 95    | 93499       |     | SCREW                             |
| 96    | 221939      |     | VALVE, THROTTLE                   |
| 97    | 392672      |     | SHAFT AND LEVER, THROTTLE         |
| 98    | 91920       |     | SCREW, MACHINE, FILLISTER HEAD    |
| 99    | 26157       |     | SPRING, THROTTLE ADJUSTMENT       |
| 102   | 271607      |     | GASKET, CARBURETOR BODY           |
| 103   | 298514      |     | FLOAT, CARBURETOR                 |
| 104   | 231435      |     | PIN FLOAT HINGE                   |
| 105   | 394683      |     | VALVE, FUEL INLET                 |
| 107   | 491543      |     | BODY, LOWER CARBURETOR            |
| 108   | 223534      |     | VALVE, CHOKE                      |
| 109   | 392673      |     | SHAFT AND LEVER, CHOKE            |
| 116   | O-RING      |     | O-RING                            |
| 117   | 231338      |     | JET, NEEDLE VALVE                 |
| 117A  | 231333      |     | JET NEEDLE VALV FXD HI ALT        |
| 119   | 94152       |     | SCREW, SEMS, HEX HEAD             |
| 121   | 491539      |     | CARBURETOR OVERHAUL KIT           |
| 127   | 223472      |     | PLUG, WELCH                       |
| 161   | 496599      |     | BODY, AIR CLEANER                 |
| 165   | 94289       |     | NUT, WING                         |
| 187   | 299146      |     | LINE, FUEL, 28"(CUT TO SUIT)      |
| 188   | 94627       |     | SCREW, SEMS 3/4"                  |
| 201   | 262683      |     | LINK, GOVENOR                     |
| 202   | 262684      |     | LINK. THROTTLE                    |
| 203   | 280997      |     | CRANK, BELL                       |
| 205   | 93971       |     | SCREW, SHOULDER                   |
| 206   | 94298       |     | NUT, SQUARE                       |
| 207   | 262337      |     | SPRING, COMPRESSION               |
| 209   | 262352      |     | SPRING, GOVERNOR                  |
| 209A  | 261563      |     | SPRING, GOVERNOR IDLE             |
| 219   | 394348      |     | GEAR, GOVERNOR                    |
| 219A  | 393415      |     | OIL SLINGER ASSEMBLY              |
| 220   | 222773      |     | WASHER, THRUST                    |
| 222   | 491282      |     | PLATE ASSEMBLY, GOVERNOR CONTROL  |
| 224   | 94297       |     | SCREW, PAN HEAD                   |
| 227   | 491297      |     | LEVER ASSEMBLY, GOVERNOR          |
| 229   | 62199       |     | WASHER                            |
| 230   | 223882      |     | WASHER, GOVERNOR CRANK, INSIDE    |
| 235   | 224995      |     | SHIELD, SPITBACK                  |
| 240   | 394358      |     | FILTER, FUEL                      |
| 244   | 230318      |     | CONNECTOR, IMPULSE PUMP           |
| 257   | 93897       |     | SCREW, SEMS                       |
| 258   | 94623       |     | SCREW, SEMS, CYLINDER SHIELD MTG. |
| 259   | 223890      |     | BRACKET, CABLE                    |
| 265   | 221535      |     | CLAMP                             |
| 267   | 94906       |     | SCREW                             |
| 284   | 94674       |     | SCREW, HEX HEAD                   |
| 284A  | 94882       |     | SCREW, HEX HEAD                   |
| 304   | 495469      |     | HOUSING, BLOWER, RED              |
| 305   | 94786       |     | SCREW                             |
| 306   | 222846      |     | SHIELD, CYLINDER                  |
| 306A  | 223734      |     | SHIELD, CYLINDER                  |
| 307   | 94930       |     | SCREW                             |
| 308   | 224774      |     | COVER, AIR GUIDE                  |
| 308A  | 224775      |     | COVER, AIR GUIDE                  |
| 309   | 497596      |     | MOTOR, STARTER                    |
| 310   | 94003       |     | BOLT                              |

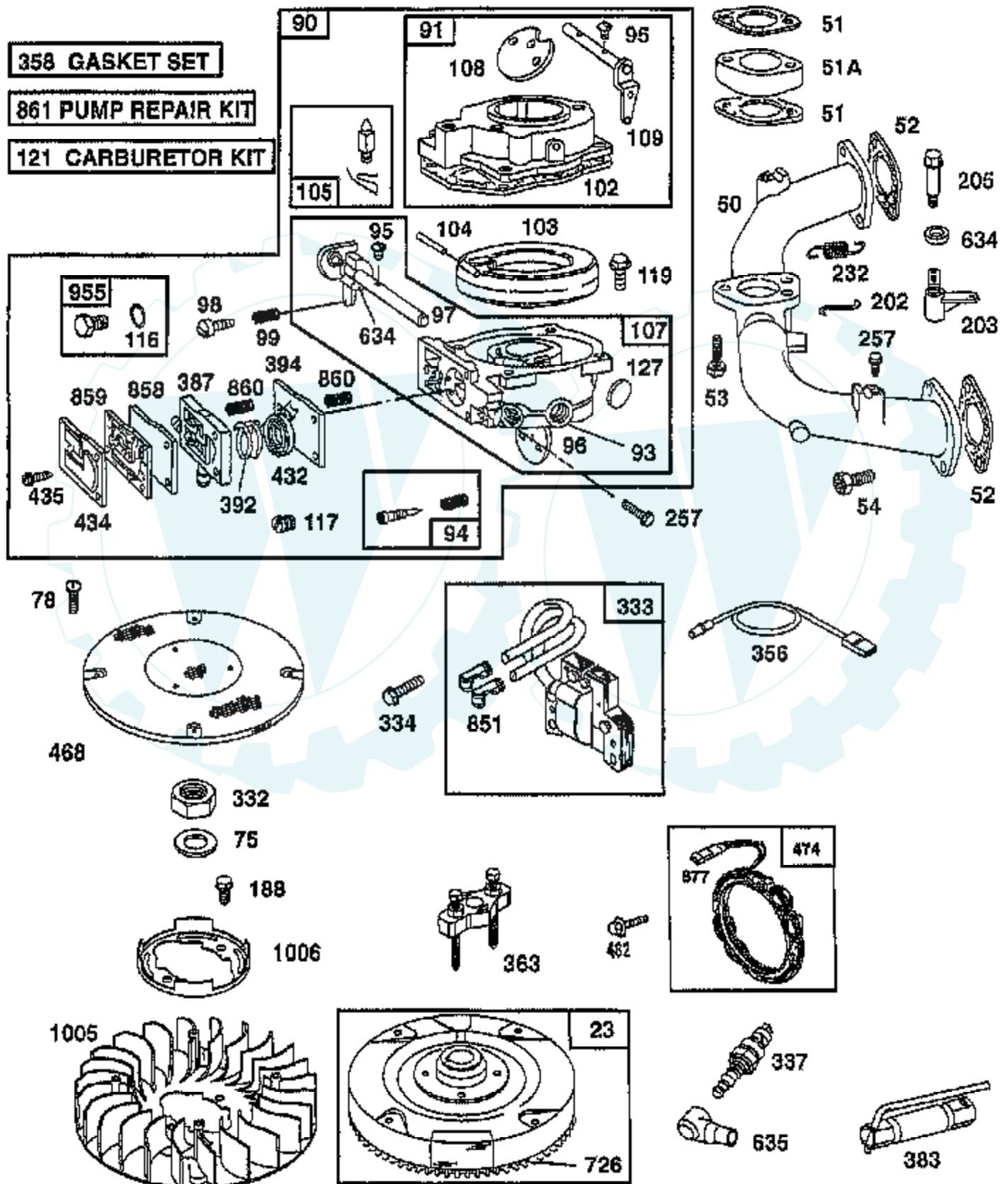
| Ref # | Part Number | Qty | Description                        |
|-------|-------------|-----|------------------------------------|
| 311   | 497608      |     | BRUSH SET                          |
| 332   | 230674      |     | NUT, HEX                           |
| 333   | 394891      |     | ARMATURE GROUP MAGNETRON IGNITION  |
| 334   | 94731       |     | SCREW, SEMS                        |
| 337   | 802592      |     | PLUG, SPARK                        |
| 356   | 494705      |     | WIRE, STOP                         |
| 358   | 491856      |     | GASKET SET                         |
| 363   | 19203       |     | PULLER, FLYWHEEL                   |
| 383   | 89838       |     | WRENCH SPARK PLUG                  |
| 387   | 280197      |     | BODY, PUMP                         |
| 392   | 261395      |     | SPRING, PUMP                       |
| 394   | 270988      |     | DIAPHRAGM                          |
| 414   | 220680      |     | WASHER                             |
| 422   | 222875      |     | CLAMP, OIL FILLER                  |
| 432   | 221377      |     | CAP, SPRING                        |
| 434   | 223688      |     | COVER, DIAPHRAGM                   |
| 435   | 93829       |     | SCREW, DIAPHRAGM COVER             |
| 445   | 394019      |     | CARTRIDGE AIR CLEANER              |
| 468   | 497908      |     | SCREEN, ROTATING                   |
| 474   | 393474      |     | STATOR, ALTERNATOR, DUAL CIRCUIT   |
| 482   | 93621       |     | SCREW, SEMS                        |
| 510   | 497606      |     | DRIVE, STARTER                     |
| 523   | 494947      |     | CAP AND DIPSTICK                   |
| 524   | 271157      |     | SEAL, FILLER TUBE                  |
| 525   | 495348      |     | TUBE, OIL FILLER                   |
| 528   | 383815      |     | HOSE, VACUUM                       |
| 534   | 94823       |     | SCREW ROUND HEAD                   |
| 535   | 272490      |     | ELEMENT, FILTER                    |
| 537   | 271411      |     | GASKET AIR CLEANER                 |
| 544   | 497603      |     | ARMATURE, STARTER                  |
| 552   | 262332      |     | LOWER BUSHING, GOVERNOR            |
| 552A  | 262331      |     | UPPER BUSHING GOVERNOR             |
| 556   | 93585       |     | SCREW, HEX HEAD                    |
| 562   | 93853       |     | BOLT, GOVERNOR LEVER               |
| 567   | 94811       |     | SCREW, HEX HEAD                    |
| 569   | 272645      |     | GASKET, CRANKCASE                  |
| 572   | 224816      |     | BAFFLE, AIR, CYLINDER #2           |
| 573   | 491304      |     | BACK PLATE ASSEMBLY                |
| 592   | 92278       |     | NUT, HEX                           |
| 601   | 93053       |     | CLAMP, HOSE, GREEN                 |
| 615   | 94296       |     | RETAINER, E-RING                   |
| 615A  | 263080      |     | RETAINER                           |
| 616   | 491530      |     | CRANK, GOVERNOR                    |
| 634   | 271013      |     | WASHER, THROTTLE SHAFT             |
| 634A  | 491287      |     | SEAL, GOVERNOR SHAFT               |
| 635   | 66538       |     | ELBOW, SPARK PLUG                  |
| 642   | 225008      |     | COVER, AIR CLEANER                 |
| 643   | 496700      |     | CARTRIDGE PLATES AIR CLEANER       |
| 653   | 93585       |     | SCREW, HEX HEAD                    |
| 726   | 391362      |     | GEAR, RING                         |
| 741   | 262989      |     | GEAR, TIMING                       |
| 783   | 280104      |     | GEAR, STARTER                      |
| 801   | 394860      |     | CAP, DRIVE                         |
| 802   | 497607      |     | P/N CONFLICT - CHECK WITH SUPPLIER |
| 803   | 497604      |     | HOUSING, STARTER                   |
| 819   | 94675       |     | SCREW, HEX HEAD                    |
| 842   | 270920      |     | SEAL, OIL FILLER CAP               |
| 847   | 495715      |     | DIPSTICK & TUBE ASSY               |

| Ref # | Part Number | Qty | Description                        |
|-------|-------------|-----|------------------------------------|
| 851   | 493880      |     | TERMINAL, IGNITION CABLE           |
| 858   | 270989      |     | DIAPHRAGM, DAMPING                 |
| 859   | 271025      |     | GASKET, CARBURETOR                 |
| 860   | 261358      |     | SPRING, DIAPHRAGM                  |
| 861   | 393397      |     | PUMP REPAIR KIT                    |
| 868   | 497212      |     | SEAL, VALVE                        |
| 869   | 261463      |     | SEAT, INTAKE VALVE, STANDARD       |
| 870   | 213316      |     | SEAT, EXHAUST VALVE, STANDARD      |
| 871   | 261961      |     | GUIDE, EXHAUST VALVE               |
| 871A  | 231218      |     | GUIDE, INTAKE VALVE                |
| 877   | 393456      |     | DIODE & CONNECTOR ASSY             |
| 881   | 495901      |     | COVER PLATE                        |
| 955   | 397882      |     | PLUG & SEAL, SOLENOID              |
| 1005  | 281053      |     | FAN, FLYWHEEL                      |
| 1006  | 224901      |     | RETAINER, FAN                      |
| 1019  | 496726      |     | LABEL KIT                          |
| 1058  | 272112      |     | OWNER'S MANUAL                     |
| 1090  | 497605      |     | P/N CONFLICT - CHECK WITH SUPPLIER |



### TRACTOR - - MODEL NUMBER AYP8186B79

### BRIGGS AND STRATTON ENGINE - MODEL NUMBER 42D707, TYPE 1280-01



| Ref # | Part Number | Qty | Description                             |
|-------|-------------|-----|---|
| 1     | 497074      |     | CYLINDER ASSEMBLY                       |
| 2     | 399265      |     | P/N CONFLICT - CHECK WITH SUPPLIER      |
| 3     | 391086      |     | SEAL, OIL                               |
| 4     | 493304      |     | BASE ASSEMBLY, CRANKCASE                |
| 5     | 493457      |     | HEAD, CYLINDER #1                       |
| 5A    | 493458      |     | HEAD CYLINDER #2                        |
| 7     | 271867      |     | GASKET, CYLINDER HEAD #1                |
| 7A    | 271868      |     | GASKET, CYLINDER HEAD #2                |
| 8     | 495754      |     | BREATHER ASSEMBLY #1                    |
| 8A    | 222892      |     | COVER, BREATHER CYLINDER #2             |
| 9     | 27803       |     | GASKET, VALVE COVER                     |
| 10    | 94382       |     | SCREW, SEMS                             |
| 10A   | 94830       |     | SCREW, SEMS                             |
| 11    | 280225      |     | TUBE, BREATHER                          |
| 12    | 273208      |     | GASKET, CRANKCASE, .015" THICK          |
| 12A   | 271188      |     | GASKET, CRANKCASE COVER,.005"           |
| 12B   | 271189      |     | GASKET, CRANKCASE COVER,.009"           |
| 13    | 94565       |     | SCREW, CYLINDER HEAD                    |
| 15    | 94239       |     | PLUG, OIL DRAIN                         |
| 16    | 394028      |     | CRANKSHAFT                              |
| 16A   | 94196       |     | KEY, TIMING GEAR                        |
| 20    | 291675      |     | SEAL, OIL                               |
| 22    | 94724       |     | SCREW                                   |
| 23    | 491180      |     | FLYWHEEL & RING GEAR ASSY, MAGNETO      |
| 24    | 222698      |     | KEY, FLYWHEEL                           |
| 25    | 498584      |     | PISTON ASSEMBLY STANDARD SIZE           |
| 25A   | 498585      |     | PISTON ASSEMBLY .010" OVERSIZE          |
| 25B   | 498586      |     | PISTON ASSEMBLY .020" OVERSIZE          |
| 25C   | 498507      |     | PISTON ASSEMBLY .030" OVERSIZE          |
| 26    | 394959      |     | RING SET, PISTON, STANDARD SIZE         |
| 26A   | 394960      |     | RING SET, PISTON,.010" OVERSIZE         |
| 26B   | 394961      |     | RING SET, PISTON,.020" OVERSIZE         |
| 26C   | 394962      |     | RING SET, PISTON,.030" OVERSIZE         |
| 27    | 263129      |     | LOCK, PISTON PIN                        |
| 28    | 498319      |     | PIN, PISTON, STD SIZE                   |
| 28A   | 391286      |     | PIN ASSEMBLY, PISTON .005" OVER         |
| 29    | 394306      |     | ROD ASSEMBLY, CONNECTING                |
| 29A   | 397158      |     | ROD ASSEMBLY, CONNECTING                |
| 32    | 94671       |     | SCREW, CONNECTING ROD                   |
| 33    | 390420      |     | VALVE, EXHAUST                          |
| 34    | 261528      |     | VALVE, INTAKE                           |
| 35    | 65906       |     | SPRING, INTAKE VALVE                    |
| 36    | 26828       |     | SPRING, EXHAUST VALVE                   |
| 40    | 221596      |     | RETAINER, INTAKE VALVE                  |
| 41    | 292260      |     | RETAINER, EXHAUST VALVE                 |
| 42    | 494553      |     | KEEPER VALVE                            |
| 45    | 261368      |     | TAPPET, VALVE                           |
| 46    | 213520      |     | GEAR, CAM                               |
| 50    | 213290      |     | MANIFOLD, INTAKE                        |
| 51    | 271412      |     | GASKET, CARBURETOR & INTAKE ELBOE       |
| 51A   | 281411      |     | SPACER, CARBURETOR                      |
| 52    | 270884      |     | GASKET, INTAKE MANIFOLD MOUNTING        |
| 53    | 93970       |     | SCREW, SEMS, CARBURETOR MOUNTING        |
| 54    | 93208       |     | SCREW, SEMS INTAKE MANIFOLDING MOUNTING |
| 75    | 222511      |     | WASHER SPRING                           |
| 78    | 95039       |     | SCREW HEX                               |
| 90    | 495181      |     | CARBURETOR ASSEMBLY                     |
| 93    | 231209      |     | BUSHING, THROTTLE SHAFT                 |

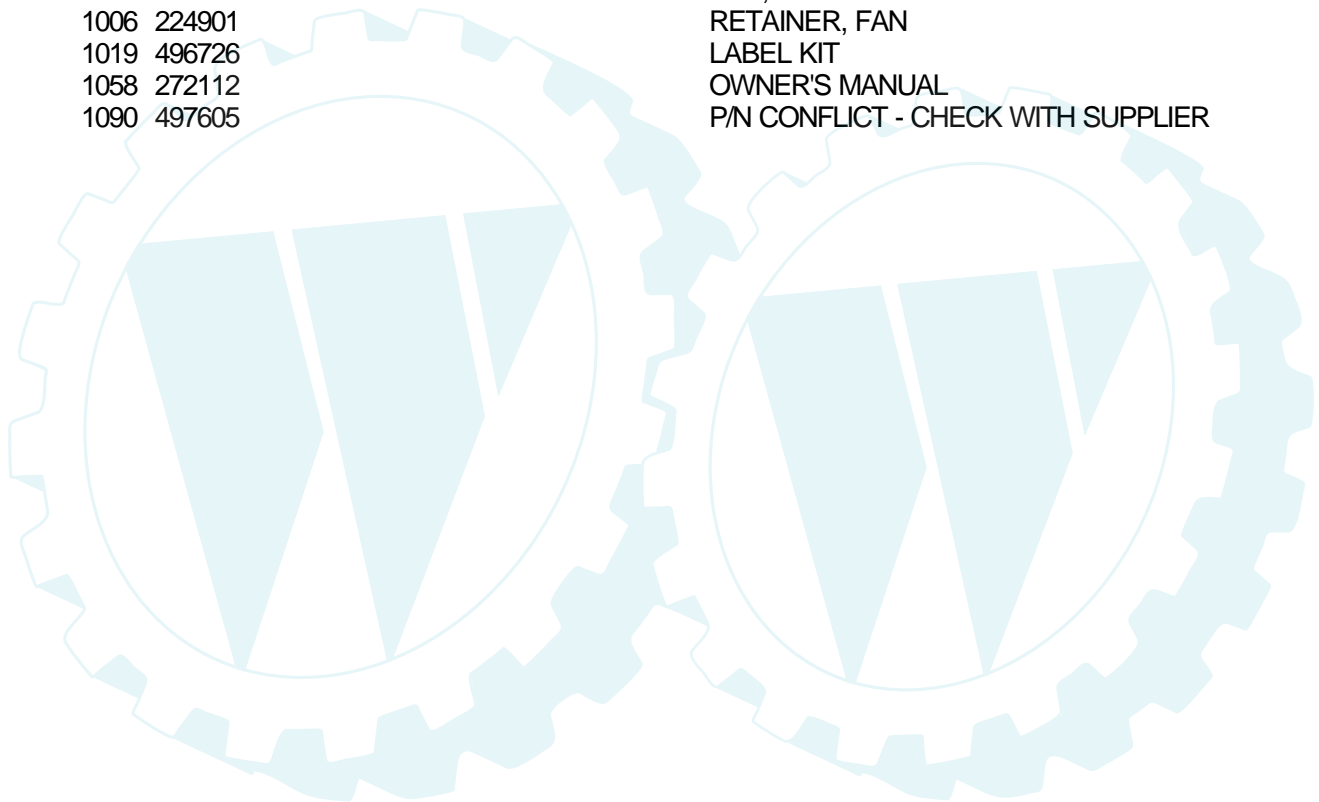


| Ref # | Part Number | Qty | Description                       |
|-------|-------------|-----|-----------------------------------|
| 94    | 491538      |     | VALVE ASSEMBLY, CARBURETOR IDLE   |
| 95    | 93499       |     | SCREW                             |
| 96    | 221939      |     | VALVE, THROTTLE                   |
| 97    | 392672      |     | SHAFT AND LEVER, THROTTLE         |
| 98    | 91920       |     | SCREW, MACHINE, FILLISTER HEAD    |
| 99    | 26157       |     | SPRING, THROTTLE ADJUSTMENT       |
| 102   | 271607      |     | GASKET, CARBURETOR BODY           |
| 103   | 298514      |     | FLOAT, CARBURETOR                 |
| 104   | 231435      |     | PIN FLOAT HINGE                   |
| 105   | 394683      |     | VALVE, FUEL INLET                 |
| 107   | 491543      |     | BODY, LOWER CARBURETOR            |
| 108   | 223534      |     | VALVE, CHOKE                      |
| 109   | 392673      |     | SHAFT AND LEVER, CHOKE            |
| 116   | O-RING      |     | O-RING                            |
| 117   | 231338      |     | JET, NEEDLE VALVE                 |
| 117A  | 231333      |     | JET NEEDLE VALV FXD HI ALT        |
| 119   | 94152       |     | SCREW, SEMS, HEX HEAD             |
| 121   | 491539      |     | CARBURETOR OVERHAUL KIT           |
| 127   | 223472      |     | PLUG, WELCH                       |
| 161   | 496599      |     | BODY, AIR CLEANER                 |
| 165   | 94289       |     | NUT, WING                         |
| 187   | 299146      |     | LINE, FUEL, 28"(CUT TO SUIT)      |
| 188   | 94627       |     | SCREW, SEMS 3/4"                  |
| 201   | 262683      |     | LINK, GOVENOR                     |
| 202   | 262684      |     | LINK. THROTTLE                    |
| 203   | 280997      |     | CRANK, BELL                       |
| 205   | 93971       |     | SCREW, SHOULDER                   |
| 206   | 94298       |     | NUT, SQUARE                       |
| 207   | 262337      |     | SPRING, COMPRESSION               |
| 209   | 262352      |     | SPRING, GOVERNOR                  |
| 209A  | 261563      |     | SPRING, GOVERNOR IDLE             |
| 219   | 394348      |     | GEAR, GOVERNOR                    |
| 219A  | 393415      |     | OIL SLINGER ASSEMBLY              |
| 220   | 222773      |     | WASHER, THRUST                    |
| 222   | 491282      |     | PLATE ASSEMBLY, GOVERNOR CONTROL  |
| 224   | 94297       |     | SCREW, PAN HEAD                   |
| 227   | 491297      |     | LEVER ASSEMBLY, GOVERNOR          |
| 229   | 62199       |     | WASHER                            |
| 230   | 223882      |     | WASHER, GOVERNOR CRANK, INSIDE    |
| 235   | 224995      |     | SHIELD, SPITBACK                  |
| 240   | 394358      |     | FILTER, FUEL                      |
| 244   | 230318      |     | CONNECTOR, IMPULSE PUMP           |
| 257   | 93897       |     | SCREW, SEMS                       |
| 258   | 94623       |     | SCREW, SEMS, CYLINDER SHIELD MTG. |
| 259   | 223890      |     | BRACKET, CABLE                    |
| 265   | 221535      |     | CLAMP                             |
| 267   | 94906       |     | SCREW                             |
| 284   | 94674       |     | SCREW, HEX HEAD                   |
| 284A  | 94882       |     | SCREW, HEX HEAD                   |
| 304   | 495469      |     | HOUSING, BLOWER, RED              |
| 305   | 94786       |     | SCREW                             |
| 306   | 222846      |     | SHIELD, CYLINDER                  |
| 306A  | 223734      |     | SHIELD, CYLINDER                  |
| 307   | 94930       |     | SCREW                             |
| 308   | 224774      |     | COVER, AIR GUIDE                  |
| 308A  | 224775      |     | COVER, AIR GUIDE                  |
| 309   | 497596      |     | MOTOR, STARTER                    |
| 310   | 94003       |     | BOLT                              |

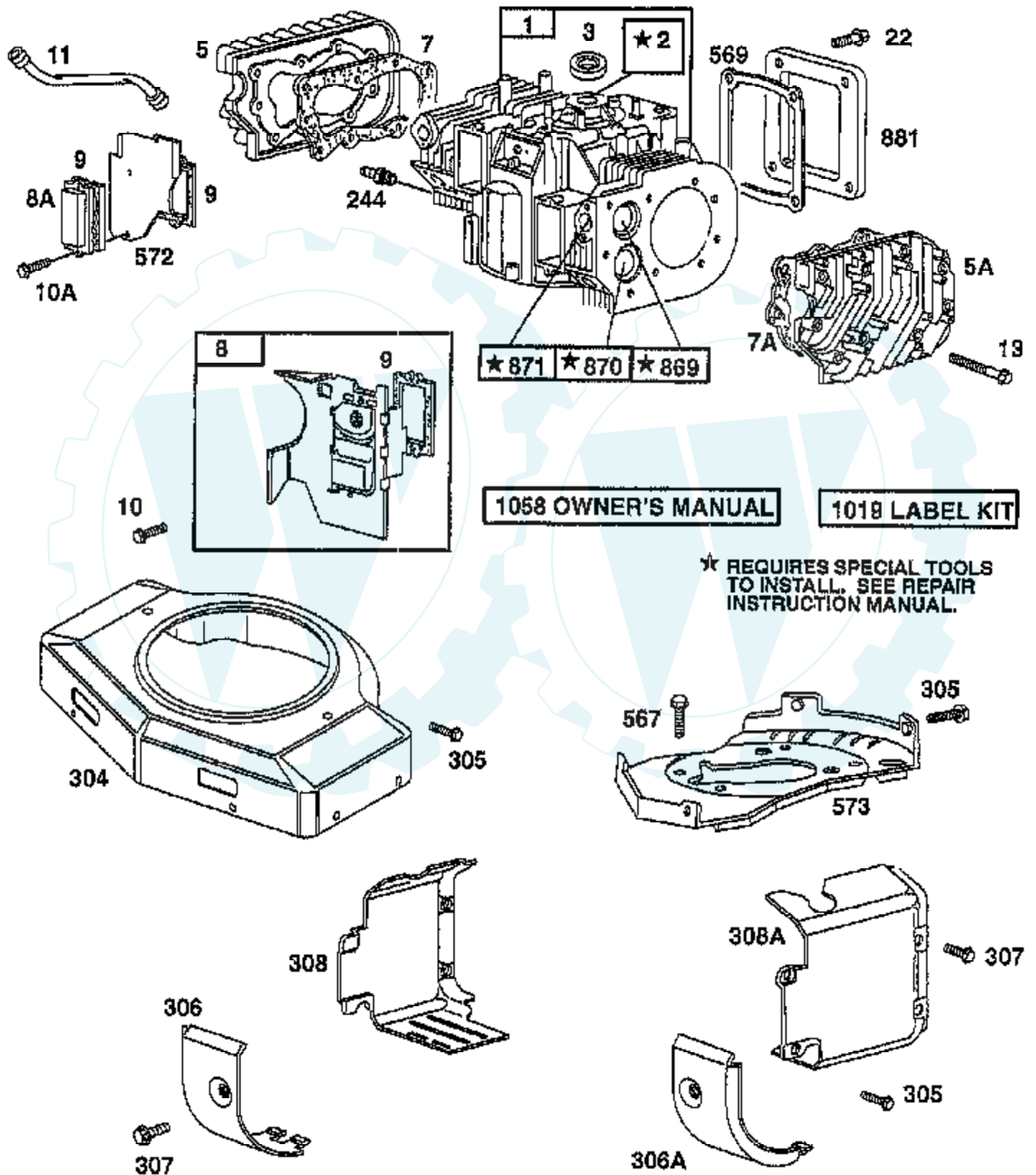


| Ref # | Part Number | Qty | Description                        |
|-------|-------------|-----|------------------------------------|
| 311   | 497608      |     | BRUSH SET                          |
| 332   | 230674      |     | NUT, HEX                           |
| 333   | 394891      |     | ARMATURE GROUP MAGNETRON IGNITION  |
| 334   | 94731       |     | SCREW, SEMS                        |
| 337   | 802592      |     | PLUG, SPARK                        |
| 356   | 494705      |     | WIRE, STOP                         |
| 358   | 491856      |     | GASKET SET                         |
| 363   | 19203       |     | PULLER, FLYWHEEL                   |
| 383   | 89838       |     | WRENCH SPARK PLUG                  |
| 387   | 280197      |     | BODY, PUMP                         |
| 392   | 261395      |     | SPRING, PUMP                       |
| 394   | 270988      |     | DIAPHRAGM                          |
| 414   | 220680      |     | WASHER                             |
| 422   | 222875      |     | CLAMP, OIL FILLER                  |
| 432   | 221377      |     | CAP, SPRING                        |
| 434   | 223688      |     | COVER, DIAPHRAGM                   |
| 435   | 93829       |     | SCREW, DIAPHRAGM COVER             |
| 445   | 394019      |     | CARTRIDGE AIR CLEANER              |
| 468   | 497908      |     | SCREEN, ROTATING                   |
| 474   | 393474      |     | STATOR, ALTERNATOR, DUAL CIRCUIT   |
| 482   | 93621       |     | SCREW, SEMS                        |
| 510   | 497606      |     | DRIVE, STARTER                     |
| 523   | 494947      |     | CAP AND DIPSTICK                   |
| 524   | 271157      |     | SEAL, FILLER TUBE                  |
| 525   | 495348      |     | TUBE, OIL FILLER                   |
| 528   | 383815      |     | HOSE, VACUUM                       |
| 534   | 94823       |     | SCREW ROUND HEAD                   |
| 535   | 272490      |     | ELEMENT, FILTER                    |
| 537   | 271411      |     | GASKET AIR CLEANER                 |
| 544   | 497603      |     | ARMATURE, STARTER                  |
| 552   | 262332      |     | LOWER BUSHING, GOVERNOR            |
| 552A  | 262331      |     | UPPER BUSHING GOVERNOR             |
| 556   | 93585       |     | SCREW, HEX HEAD                    |
| 562   | 93853       |     | BOLT, GOVERNOR LEVER               |
| 567   | 94811       |     | SCREW, HEX HEAD                    |
| 569   | 272645      |     | GASKET, CRANKCASE                  |
| 572   | 224816      |     | BAFFLE, AIR, CYLINDER #2           |
| 573   | 491304      |     | BACK PLATE ASSEMBLY                |
| 592   | 92278       |     | NUT, HEX                           |
| 601   | 93053       |     | CLAMP, HOSE, GREEN                 |
| 615   | 94296       |     | RETAINER, E-RING                   |
| 615A  | 263080      |     | RETAINER                           |
| 616   | 491530      |     | CRANK, GOVERNOR                    |
| 634   | 271013      |     | WASHER, THROTTLE SHAFT             |
| 634A  | 491287      |     | SEAL, GOVERNOR SHAFT               |
| 635   | 66538       |     | ELBOW, SPARK PLUG                  |
| 642   | 225008      |     | COVER, AIR CLEANER                 |
| 643   | 496700      |     | CARTRIDGE PLATES AIR CLEANER       |
| 653   | 93585       |     | SCREW, HEX HEAD                    |
| 726   | 391362      |     | GEAR, RING                         |
| 741   | 262989      |     | GEAR, TIMING                       |
| 783   | 280104      |     | GEAR, STARTER                      |
| 801   | 394860      |     | CAP, DRIVE                         |
| 802   | 497607      |     | P/N CONFLICT - CHECK WITH SUPPLIER |
| 803   | 497604      |     | HOUSING, STARTER                   |
| 819   | 94675       |     | SCREW, HEX HEAD                    |
| 842   | 270920      |     | SEAL, OIL FILLER CAP               |
| 847   | 495715      |     | DIPSTICK & TUBE ASSY               |

| Ref # | Part Number | Qty | Description                        |
|-------|-------------|-----|------------------------------------|
| 851   | 493880      |     | TERMINAL, IGNITION CABLE           |
| 858   | 270989      |     | DIAPHRAGM, DAMPING                 |
| 859   | 271025      |     | GASKET, CARBURETOR                 |
| 860   | 261358      |     | SPRING, DIAPHRAGM                  |
| 861   | 393397      |     | PUMP REPAIR KIT                    |
| 868   | 497212      |     | SEAL, VALVE                        |
| 869   | 261463      |     | SEAT, INTAKE VALVE, STANDARD       |
| 870   | 213316      |     | SEAT, EXHAUST VALVE, STANDARD      |
| 871   | 261961      |     | GUIDE, EXHAUST VALVE               |
| 871A  | 231218      |     | GUIDE, INTAKE VALVE                |
| 877   | 393456      |     | DIODE & CONNECTOR ASSY             |
| 881   | 495901      |     | COVER PLATE                        |
| 955   | 397882      |     | PLUG & SEAL, SOLENOID              |
| 1005  | 281053      |     | FAN, FLYWHEEL                      |
| 1006  | 224901      |     | RETAINER, FAN                      |
| 1019  | 496726      |     | LABEL KIT                          |
| 1058  | 272112      |     | OWNER'S MANUAL                     |
| 1090  | 497605      |     | P/N CONFLICT - CHECK WITH SUPPLIER |



**TRACTOR -- MODEL NUMBER AYP8186B79**  
**BRIGGS AND STRATTON ENGINE - MODEL NUMBER 42D707, TYPE 1280-01**

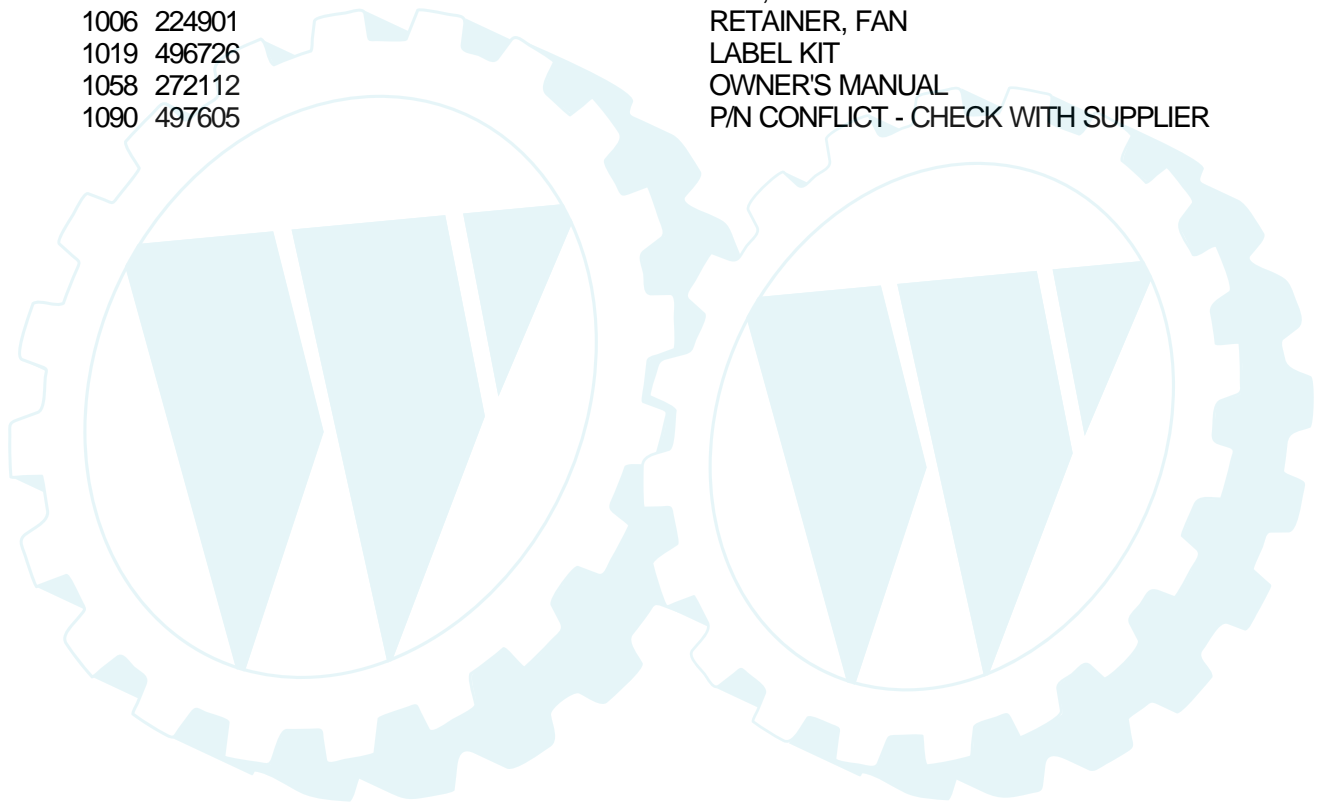


| Ref # | Part Number | Qty | Description                             |
|-------|-------------|-----|---|
| 1     | 497074      |     | CYLINDER ASSEMBLY                       |
| 2     | 399265      |     | P/N CONFLICT - CHECK WITH SUPPLIER      |
| 3     | 391086      |     | SEAL, OIL                               |
| 4     | 493304      |     | BASE ASSEMBLY, CRANKCASE                |
| 5     | 493457      |     | HEAD, CYLINDER #1                       |
| 5A    | 493458      |     | HEAD CYLINDER #2                        |
| 7     | 271867      |     | GASKET, CYLINDER HEAD #1                |
| 7A    | 271868      |     | GASKET, CYLINDER HEAD #2                |
| 8     | 495754      |     | BREATHER ASSEMBLY #1                    |
| 8A    | 222892      |     | COVER, BREATHER CYLINDER #2             |
| 9     | 27803       |     | GASKET, VALVE COVER                     |
| 10    | 94382       |     | SCREW, SEMS                             |
| 10A   | 94830       |     | SCREW, SEMS                             |
| 11    | 280225      |     | TUBE, BREATHER                          |
| 12    | 273208      |     | GASKET, CRANKCASE, .015" THICK          |
| 12A   | 271188      |     | GASKET, CRANKCASE COVER,.005"           |
| 12B   | 271189      |     | GASKET, CRANKCASE COVER,.009"           |
| 13    | 94565       |     | SCREW, CYLINDER HEAD                    |
| 15    | 94239       |     | PLUG, OIL DRAIN                         |
| 16    | 394028      |     | CRANKSHAFT                              |
| 16A   | 94196       |     | KEY, TIMING GEAR                        |
| 20    | 291675      |     | SEAL, OIL                               |
| 22    | 94724       |     | SCREW                                   |
| 23    | 491180      |     | FLYWHEEL & RING GEAR ASSY, MAGNETO      |
| 24    | 222698      |     | KEY, FLYWHEEL                           |
| 25    | 498584      |     | PISTON ASSEMBLY STANDARD SIZE           |
| 25A   | 498585      |     | PISTON ASSEMBLY .010" OVERSIZE          |
| 25B   | 498586      |     | PISTON ASSEMBLY .020" OVERSIZE          |
| 25C   | 498507      |     | PISTON ASSEMBLY .030" OVERSIZE          |
| 26    | 394959      |     | RING SET, PISTON, STANDARD SIZE         |
| 26A   | 394960      |     | RING SET, PISTON,.010" OVERSIZE         |
| 26B   | 394961      |     | RING SET, PISTON,.020" OVERSIZE         |
| 26C   | 394962      |     | RING SET, PISTON,.030" OVERSIZE         |
| 27    | 263129      |     | LOCK, PISTON PIN                        |
| 28    | 498319      |     | PIN, PISTON, STD SIZE                   |
| 28A   | 391286      |     | PIN ASSEMBLY, PISTON .005" OVER         |
| 29    | 394306      |     | ROD ASSEMBLY, CONNECTING                |
| 29A   | 397158      |     | ROD ASSEMBLY, CONNECTING                |
| 32    | 94671       |     | SCREW, CONNECTING ROD                   |
| 33    | 390420      |     | VALVE, EXHAUST                          |
| 34    | 261528      |     | VALVE, INTAKE                           |
| 35    | 65906       |     | SPRING, INTAKE VALVE                    |
| 36    | 26828       |     | SPRING, EXHAUST VALVE                   |
| 40    | 221596      |     | RETAINER, INTAKE VALVE                  |
| 41    | 292260      |     | RETAINER, EXHAUST VALVE                 |
| 42    | 494553      |     | KEEPER VALVE                            |
| 45    | 261368      |     | TAPPET, VALVE                           |
| 46    | 213520      |     | GEAR, CAM                               |
| 50    | 213290      |     | MANIFOLD, INTAKE                        |
| 51    | 271412      |     | GASKET, CARBURETOR & INTAKE ELBOE       |
| 51A   | 281411      |     | SPACER, CARBURETOR                      |
| 52    | 270884      |     | GASKET, INTAKE MANIFOLD MOUNTING        |
| 53    | 93970       |     | SCREW, SEMS, CARBURETOR MOUNTING        |
| 54    | 93208       |     | SCREW, SEMS INTAKE MANIFOLDING MOUNTING |
| 75    | 222511      |     | WASHER SPRING                           |
| 78    | 95039       |     | SCREW HEX                               |
| 90    | 495181      |     | CARBURETOR ASSEMBLY                     |
| 93    | 231209      |     | BUSHING, THROTTLE SHAFT                 |

| Ref # | Part Number | Qty | Description                       |
|-------|-------------|-----|-----------------------------------|
| 94    | 491538      |     | VALVE ASSEMBLY, CARBURETOR IDLE   |
| 95    | 93499       |     | SCREW                             |
| 96    | 221939      |     | VALVE, THROTTLE                   |
| 97    | 392672      |     | SHAFT AND LEVER, THROTTLE         |
| 98    | 91920       |     | SCREW, MACHINE, FILLISTER HEAD    |
| 99    | 26157       |     | SPRING, THROTTLE ADJUSTMENT       |
| 102   | 271607      |     | GASKET, CARBURETOR BODY           |
| 103   | 298514      |     | FLOAT, CARBURETOR                 |
| 104   | 231435      |     | PIN FLOAT HINGE                   |
| 105   | 394683      |     | VALVE, FUEL INLET                 |
| 107   | 491543      |     | BODY, LOWER CARBURETOR            |
| 108   | 223534      |     | VALVE, CHOKE                      |
| 109   | 392673      |     | SHAFT AND LEVER, CHOKE            |
| 116   | O-RING      |     | O-RING                            |
| 117   | 231338      |     | JET, NEEDLE VALVE                 |
| 117A  | 231333      |     | JET NEEDLE VALV FXD HI ALT        |
| 119   | 94152       |     | SCREW, SEMS, HEX HEAD             |
| 121   | 491539      |     | CARBURETOR OVERHAUL KIT           |
| 127   | 223472      |     | PLUG, WELCH                       |
| 161   | 496599      |     | BODY, AIR CLEANER                 |
| 165   | 94289       |     | NUT, WING                         |
| 187   | 299146      |     | LINE, FUEL, 28"(CUT TO SUIT)      |
| 188   | 94627       |     | SCREW, SEMS 3/4"                  |
| 201   | 262683      |     | LINK, GOVENOR                     |
| 202   | 262684      |     | LINK. THROTTLE                    |
| 203   | 280997      |     | CRANK, BELL                       |
| 205   | 93971       |     | SCREW, SHOULDER                   |
| 206   | 94298       |     | NUT, SQUARE                       |
| 207   | 262337      |     | SPRING, COMPRESSION               |
| 209   | 262352      |     | SPRING, GOVERNOR                  |
| 209A  | 261563      |     | SPRING, GOVERNOR IDLE             |
| 219   | 394348      |     | GEAR, GOVERNOR                    |
| 219A  | 393415      |     | OIL SLINGER ASSEMBLY              |
| 220   | 222773      |     | WASHER, THRUST                    |
| 222   | 491282      |     | PLATE ASSEMBLY, GOVERNOR CONTROL  |
| 224   | 94297       |     | SCREW, PAN HEAD                   |
| 227   | 491297      |     | LEVER ASSEMBLY, GOVERNOR          |
| 229   | 62199       |     | WASHER                            |
| 230   | 223882      |     | WASHER, GOVERNOR CRANK, INSIDE    |
| 235   | 224995      |     | SHIELD, SPITBACK                  |
| 240   | 394358      |     | FILTER, FUEL                      |
| 244   | 230318      |     | CONNECTOR, IMPULSE PUMP           |
| 257   | 93897       |     | SCREW, SEMS                       |
| 258   | 94623       |     | SCREW, SEMS, CYLINDER SHIELD MTG. |
| 259   | 223890      |     | BRACKET, CABLE                    |
| 265   | 221535      |     | CLAMP                             |
| 267   | 94906       |     | SCREW                             |
| 284   | 94674       |     | SCREW, HEX HEAD                   |
| 284A  | 94882       |     | SCREW, HEX HEAD                   |
| 304   | 495469      |     | HOUSING, BLOWER, RED              |
| 305   | 94786       |     | SCREW                             |
| 306   | 222846      |     | SHIELD, CYLINDER                  |
| 306A  | 223734      |     | SHIELD, CYLINDER                  |
| 307   | 94930       |     | SCREW                             |
| 308   | 224774      |     | COVER, AIR GUIDE                  |
| 308A  | 224775      |     | COVER, AIR GUIDE                  |
| 309   | 497596      |     | MOTOR, STARTER                    |
| 310   | 94003       |     | BOLT                              |

| Ref # | Part Number | Qty | Description                        |
|-------|-------------|-----|------------------------------------|
| 311   | 497608      |     | BRUSH SET                          |
| 332   | 230674      |     | NUT, HEX                           |
| 333   | 394891      |     | ARMATURE GROUP MAGNETRON IGNITION  |
| 334   | 94731       |     | SCREW, SEMS                        |
| 337   | 802592      |     | PLUG, SPARK                        |
| 356   | 494705      |     | WIRE, STOP                         |
| 358   | 491856      |     | GASKET SET                         |
| 363   | 19203       |     | PULLER, FLYWHEEL                   |
| 383   | 89838       |     | WRENCH SPARK PLUG                  |
| 387   | 280197      |     | BODY, PUMP                         |
| 392   | 261395      |     | SPRING, PUMP                       |
| 394   | 270988      |     | DIAPHRAGM                          |
| 414   | 220680      |     | WASHER                             |
| 422   | 222875      |     | CLAMP, OIL FILLER                  |
| 432   | 221377      |     | CAP, SPRING                        |
| 434   | 223688      |     | COVER, DIAPHRAGM                   |
| 435   | 93829       |     | SCREW, DIAPHRAGM COVER             |
| 445   | 394019      |     | CARTRIDGE AIR CLEANER              |
| 468   | 497908      |     | SCREEN, ROTATING                   |
| 474   | 393474      |     | STATOR, ALTERNATOR, DUAL CIRCUIT   |
| 482   | 93621       |     | SCREW, SEMS                        |
| 510   | 497606      |     | DRIVE, STARTER                     |
| 523   | 494947      |     | CAP AND DIPSTICK                   |
| 524   | 271157      |     | SEAL, FILLER TUBE                  |
| 525   | 495348      |     | TUBE, OIL FILLER                   |
| 528   | 383815      |     | HOSE, VACUUM                       |
| 534   | 94823       |     | SCREW ROUND HEAD                   |
| 535   | 272490      |     | ELEMENT, FILTER                    |
| 537   | 271411      |     | GASKET AIR CLEANER                 |
| 544   | 497603      |     | ARMATURE, STARTER                  |
| 552   | 262332      |     | LOWER BUSHING, GOVERNOR            |
| 552A  | 262331      |     | UPPER BUSHING GOVERNOR             |
| 556   | 93585       |     | SCREW, HEX HEAD                    |
| 562   | 93853       |     | BOLT, GOVERNOR LEVER               |
| 567   | 94811       |     | SCREW, HEX HEAD                    |
| 569   | 272645      |     | GASKET, CRANKCASE                  |
| 572   | 224816      |     | BAFFLE, AIR, CYLINDER #2           |
| 573   | 491304      |     | BACK PLATE ASSEMBLY                |
| 592   | 92278       |     | NUT, HEX                           |
| 601   | 93053       |     | CLAMP, HOSE, GREEN                 |
| 615   | 94296       |     | RETAINER, E-RING                   |
| 615A  | 263080      |     | RETAINER                           |
| 616   | 491530      |     | CRANK, GOVERNOR                    |
| 634   | 271013      |     | WASHER, THROTTLE SHAFT             |
| 634A  | 491287      |     | SEAL, GOVERNOR SHAFT               |
| 635   | 66538       |     | ELBOW, SPARK PLUG                  |
| 642   | 225008      |     | COVER, AIR CLEANER                 |
| 643   | 496700      |     | CARTRIDGE PLATES AIR CLEANER       |
| 653   | 93585       |     | SCREW, HEX HEAD                    |
| 726   | 391362      |     | GEAR, RING                         |
| 741   | 262989      |     | GEAR, TIMING                       |
| 783   | 280104      |     | GEAR, STARTER                      |
| 801   | 394860      |     | CAP, DRIVE                         |
| 802   | 497607      |     | P/N CONFLICT - CHECK WITH SUPPLIER |
| 803   | 497604      |     | HOUSING, STARTER                   |
| 819   | 94675       |     | SCREW, HEX HEAD                    |
| 842   | 270920      |     | SEAL, OIL FILLER CAP               |
| 847   | 495715      |     | DIPSTICK & TUBE ASSY               |

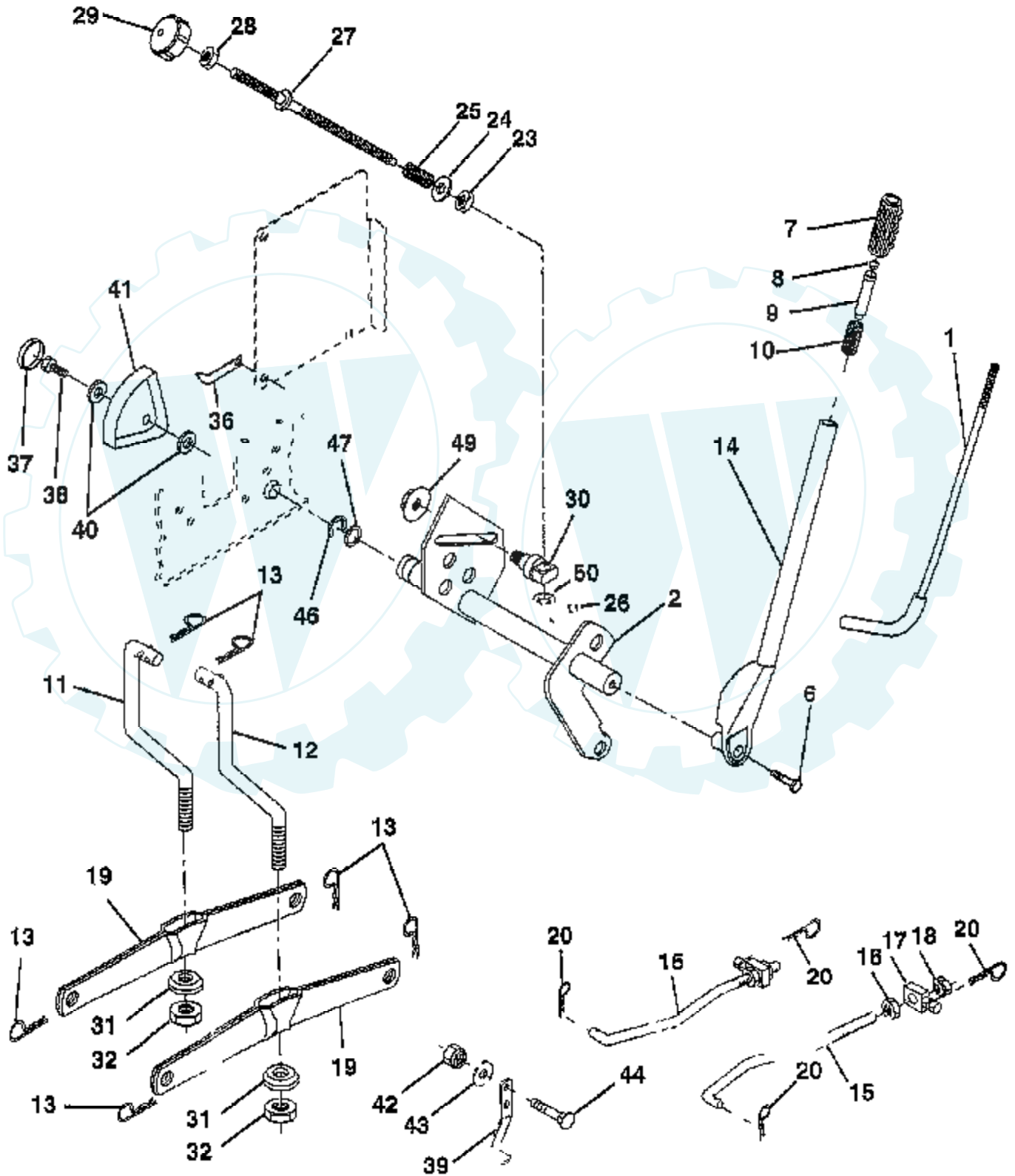
| Ref # | Part Number | Qty | Description                        |
|-------|-------------|-----|------------------------------------|
| 851   | 493880      |     | TERMINAL, IGNITION CABLE           |
| 858   | 270989      |     | DIAPHRAGM, DAMPING                 |
| 859   | 271025      |     | GASKET, CARBURETOR                 |
| 860   | 261358      |     | SPRING, DIAPHRAGM                  |
| 861   | 393397      |     | PUMP REPAIR KIT                    |
| 868   | 497212      |     | SEAL, VALVE                        |
| 869   | 261463      |     | SEAT, INTAKE VALVE, STANDARD       |
| 870   | 213316      |     | SEAT, EXHAUST VALVE, STANDARD      |
| 871   | 261961      |     | GUIDE, EXHAUST VALVE               |
| 871A  | 231218      |     | GUIDE, INTAKE VALVE                |
| 877   | 393456      |     | DIODE & CONNECTOR ASSY             |
| 881   | 495901      |     | COVER PLATE                        |
| 955   | 397882      |     | PLUG & SEAL, SOLENOID              |
| 1005  | 281053      |     | FAN, FLYWHEEL                      |
| 1006  | 224901      |     | RETAINER, FAN                      |
| 1019  | 496726      |     | LABEL KIT                          |
| 1058  | 272112      |     | OWNER'S MANUAL                     |
| 1090  | 497605      |     | P/N CONFLICT - CHECK WITH SUPPLIER |





# TRACTOR -- MODEL NUMBER AYP8186B79

## LIFT

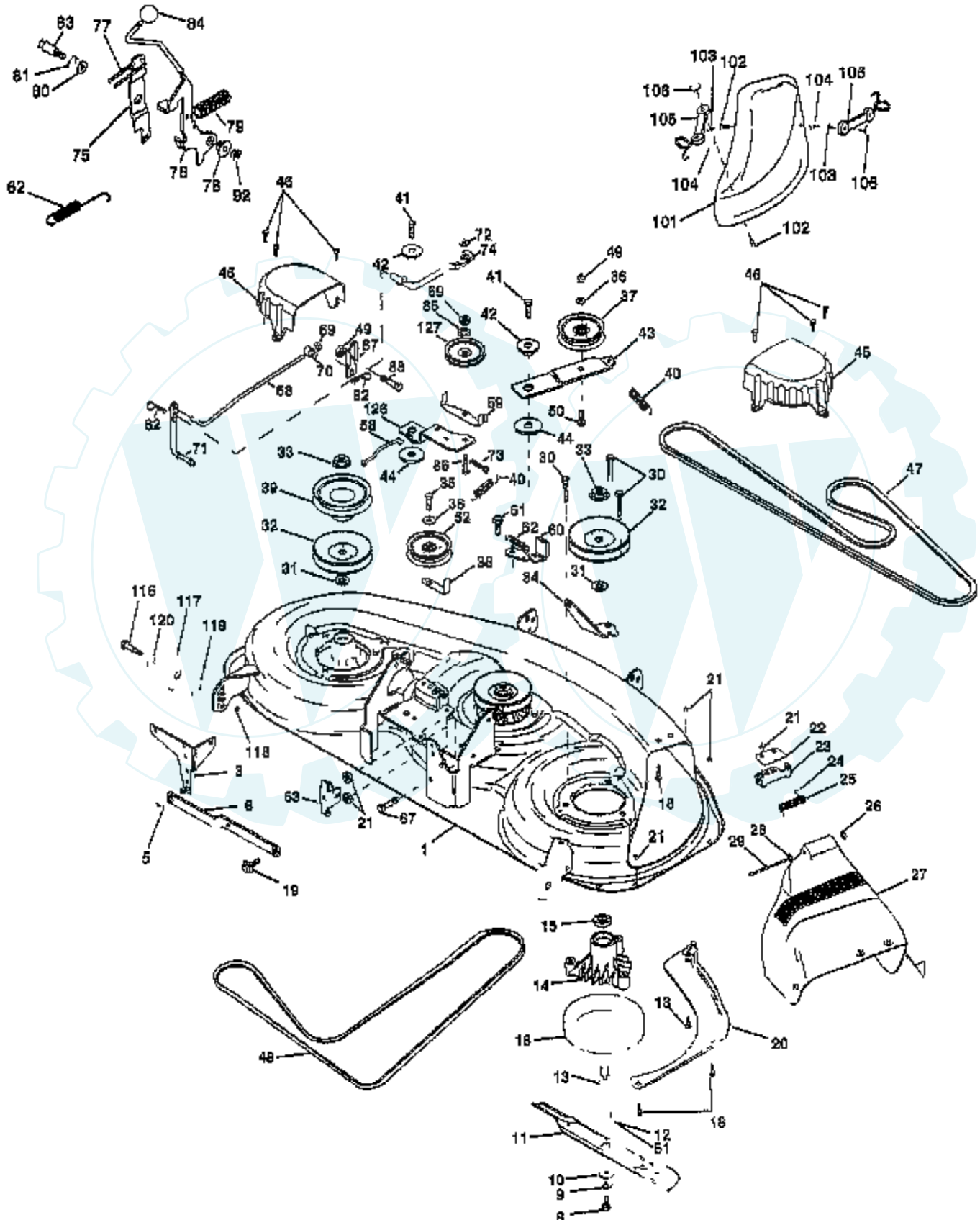




| Ref # | Part Number | Qty | Description       |
|-------|-------------|-----|-------------------|
| 1     | 121006X     |     | LEVER ROD LT      |
| 2     | 140673      |     | SHAFT LIFT W/IND  |
| 6     | 74780624    |     | "BOLT,HEX"        |
| 7     | 109413X     |     | GRIP              |
| 8     | 122365X     |     | SUB= 125925X      |
| 9     | 122364X     |     | SUB= 125925X      |
| 10    | 2876H       |     | SPRING T          |
| 11    | 145537      |     | LINK.LIFT.LH.GTV  |
| 12    | 145536      |     | LINK.LIFT.RH.GTV. |
| 13    | 4939M       |     | SUB= 85902        |
| 14    | 121002X     |     | SUB= 123096X      |
| 15    | 127218      |     | LINK.FRONT        |
| 16    | 73350800    |     | NUT               |
| 17    | 130171      |     | TRUNION           |
| 18    | 73800800    |     | NUT.LK.W/WSH.1/2. |
| 19    | 139868      |     | ARM SUSP REAR     |
| 20    | 3146R       |     | RETAINER.SPRING   |
| 23    | 110807X     |     | NUT T             |
| 24    | 19131016    |     | WASHER            |
| 25    | 2876H       |     | SPRING T          |
| 26    | 76020308    |     | SUB= 3145         |
| 27    | 126971X     |     | SUB= 532126971    |
| 28    | 73350600    |     | NUT               |
| 29    | 138057      |     | KNOB INF 3/8-16   |
| 30    | 150233      |     | TRUNNION          |
| 31    | 140302      |     | BEARING PVT LH    |
| 32    | 73540600    |     | NUT.CROWNLOCK.3/8 |
| 36    | 155097      |     | POINTER-INDICAT   |
| 37    | 123935X     |     | "PLUG,HOLE"       |
| 38    | 17490512    |     | SCREW             |
| 39    | 142992      |     | STOP.OVER.CENTER  |
| 40    | 19112410    |     | WASHER            |
| 41    | 123934X     |     | HEIGHT INDICATOR  |
| 42    | 73680600    |     | SUB= 73690600     |
| 43    | 19131612    |     | WASHER GT         |
| 44    | 72240608    |     | BOLT              |
| 46    | 12000022    |     | E-RING            |
| 47    | 19292016    |     | WASHER            |
| 49    | 145212      |     | NUT.HXFLG.LOCK.   |
| 50    | 110452X     |     | NUT PUSH M        |

### TRACTOR - - MODEL NUMBER AYP8186B79

#### MOWER DECK

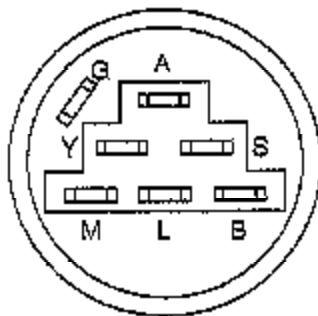
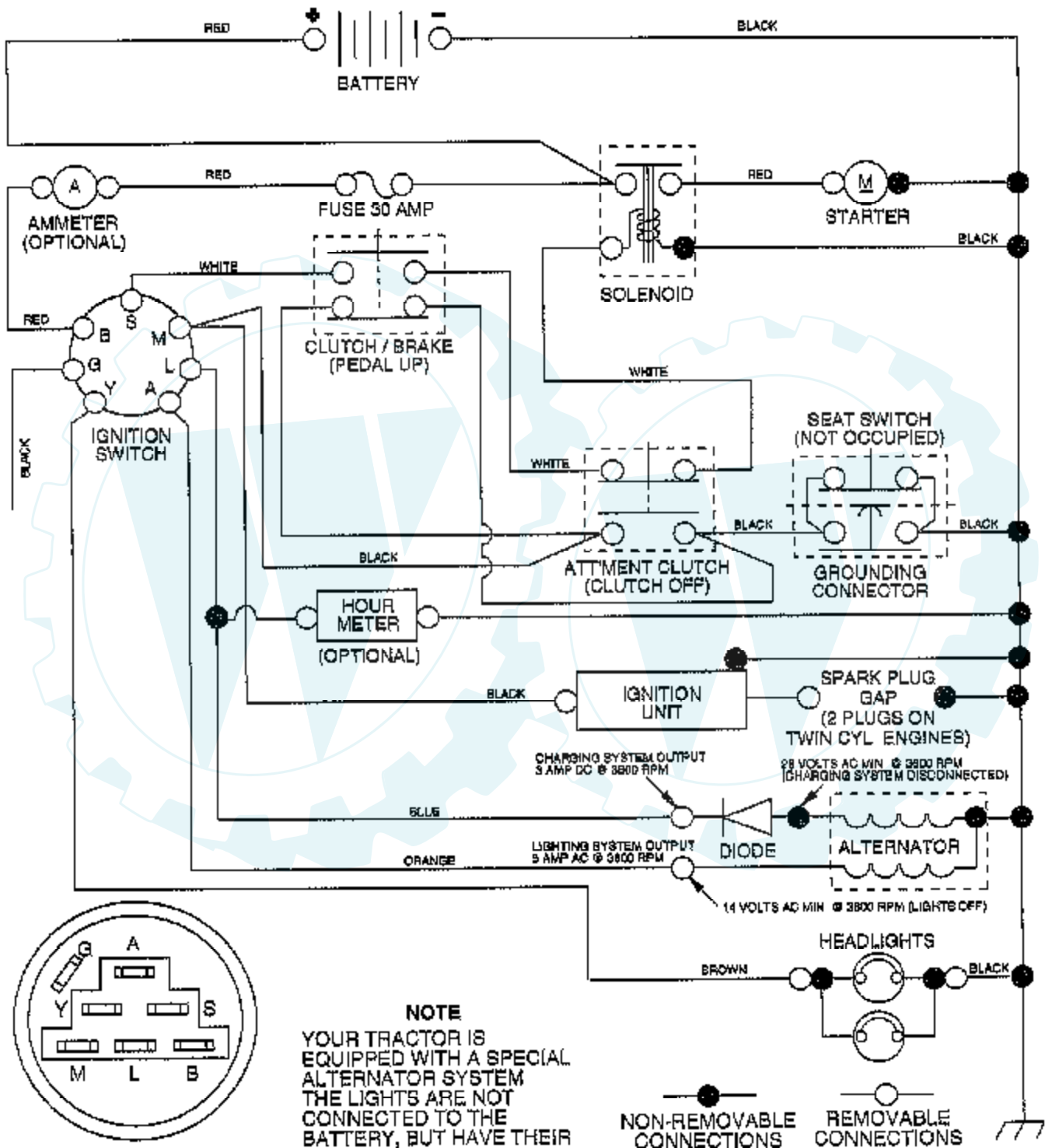


| Ref # | Part Number | Qty | Description          |
|-------|-------------|-----|----------------------|
| 1     | 156948      |     | "MOWER ASM 46""      |
| 3     | 138457      |     | BRKT.ASM.SW.44/50    |
| 5     | 4939M       |     | SUB= 85902           |
| 6     | 130832      |     | SUB= 130833          |
| 8     | 850857      |     | BLADE BOLT           |
| 9     | 10030600    |     | SUB= 10040600        |
| 10    | 140296      |     | WASHER.HARD.BLADE    |
| 11    | 152443      |     | SUB= 918152443       |
| 12    | 129895      |     | BEARING.BALL         |
| 13    | 137553      |     | SHAFT.ASM.W/BRNG     |
| 14    | 137152      |     | HOUSING.MAND.44.V    |
| 15    | 110485X     |     | BEARING              |
| 16    | 140329      |     | STRIPPER RND MWR     |
| 18    | 72140505    |     | BOLT                 |
| 19    | 132827      |     | BOLT SHD 5/16-18     |
| 20    | 145055      |     | BAFFLE.VORTEX.46     |
| 21    | 73680500    |     | SUB= 73690500        |
| 22    | 134753      |     | STIFFENER BRKT       |
| 23    | 131267      |     | DEFLECTOR BRKT       |
| 24    | 105304X     |     | CAP-SLEEVE LT        |
| 25    | 123713X     |     | SPRING TORSION       |
| 26    | 110452X     |     | NUT PUSH M           |
| 27    | 157788      |     | SHIELD DEFLECTOR     |
| 28    | 19111016    |     | WASHER               |
| 29    | 131491      |     | HINGE ROD            |
| 30    | 138776      |     | SUB= 157722          |
| 31    | 129963      |     | WASHER               |
| 32    | 153531      |     | PULLEY.MAND.36/46    |
| 33    | 137266      |     | SUB= 139729          |
| 34    | 144945      |     | ANCHOR.SPRING.46     |
| 35    | 17490628    |     | SCREW LT             |
| 36    | 19131316    |     | WASHER               |
| 33    | 137266      |     | SUB= 139729          |
| 34    | 144945      |     | ANCHOR.SPRING.46     |
| 35    | 17490628    |     | SCREW LT             |
| 36    | 19131316    |     | WASHER               |
| 37    | 131494      |     | FLAT IDLER PULLEY    |
| 38    | 156086      |     | "KEEPER BELT,IDLER"  |
| 39    | 144917      |     | PULLEY.DRV.DCK.46    |
| 40    | 137273      |     | "SPRING.SEC.44""VEN" |
| 41    | 17490620    |     | SCREW                |
| 42    | 122052X     |     | SPACER RETAINER      |
| 43    | 144949      |     | ARM.IDLER.DECK.46    |
| 44    | 133943      |     | HARDENED WASHER      |
| 45    | 145059      |     | COVER.MANDREL.46     |
| 46    | 137729      |     | SCREW.1/4-20X5/8     |
| 47    | 144959      |     | BELT-V.SEC.46.KEL    |
| 48    | 158818      |     | V BELT MOWER         |
| 49    | 73680600    |     | SUB= 73690600        |
| 50    | 72110612    |     | BOLT.3/8-16X1.50     |
| 51    | 153390      |     | WASHER.FELT.         |
| 52    | 156493      |     | "PULLEY IDLER,FLAT"  |
| 58    | 156488      |     | "LINK BRAKE, 43""    |
| 59    | 157034      |     | "GUIDE BELT,46""MOW" |
| 60    | 156722      |     | ARM ASM BRAKE        |
| 61    | 139888      |     | BOLT.SHLD.5/16-18    |
| 62    | 131870      |     | RETURN SPRING        |
| 63    | 156473      |     | "BRKT ROD,CLUTCH"    |

| Ref # | Part Number | Qty | Description         |
|-------|-------------|-----|---------------------|
| 67    | 74760512    |     | BOLT                |
| 68    | 156487      |     | SUB= 157060         |
| 69    | 73350600    |     | NUT                 |
| 70    | 142028      |     | TRUNION ADJ         |
| 71    | 133551      |     | PIVOT ROD           |
| 72    | 19131312    |     | WASHER              |
| 73    | 76020412    |     | COTTER PIN          |
| 74    | 156474      |     | LINK CLUTCH         |
| 75    | 159145      |     | ARM EXTENSION       |
| 76    | 154809      |     | LEVER ASM-CLUTCH    |
| 77    | 127845      |     | SPRING KEEPER       |
| 78    | 127498      |     | BUSHING             |
| 79    | 153701      |     | SPRING.CLUTCH.MWR   |
| 80    | 121748X     |     | WASHER              |
| 81    | 12000029    |     | RING                |
| 82    | 4497H       |     | RETAINER M          |
| 83    | 128903      |     | SHOULDER BOLT       |
| 84    | 106932X     |     | KNOB T(3/8 HOLE)    |
| 85    | 10040600    |     | LOCKWASHER          |
| 86    | 158565      |     | "BOLT CARR, SH"     |
| 87    | 158373      |     | BRACKET.EXTENSION   |
| 88    | 74780616    |     | BOLT                |
| 92    | 73800600    |     | NUT                 |
| 101   | 145579      |     | COVER.MULCHING.     |
| 102   | 71161010    |     | SCREW               |
| 103   | 10071000    |     | LOCKWASHER          |
| 104   | 19061216    |     | WASHER #10          |
| 105   | 130758      |     | SUB= 160793         |
| 106   | 2029J       |     | WELDNUT             |
| 116   | 4898H       |     | BOLT M              |
| 117   | 105455X     |     | WHEEL.GAGE.BLK.PL   |
| 118   | 73930600    |     | LOCKNUT             |
| 119   | 19121414    |     | WASHER              |
| 120   | 19171512    |     | WASHER              |
| 126   | 156472      |     | ARM IDLER           |
| 127   | 146763      |     | PULLEY.IDLER.4.25   |
|       | 157112      |     | "MOWER SERVICE 46"" |

## TRACTOR - - MODEL NUMBER AYP8186B79

### SCHEMATIC



IGNITION SWITCH

| POSITION  | CIRCUIT   | "MAKE" |
|-----------|-----------|--------|
| OFF       | G + M + L | NONE   |
| RUN/LIGHT | S + L     | A + Y  |
| RUN       | B + L     | NONE   |
| START     | B + L + S | NONE   |

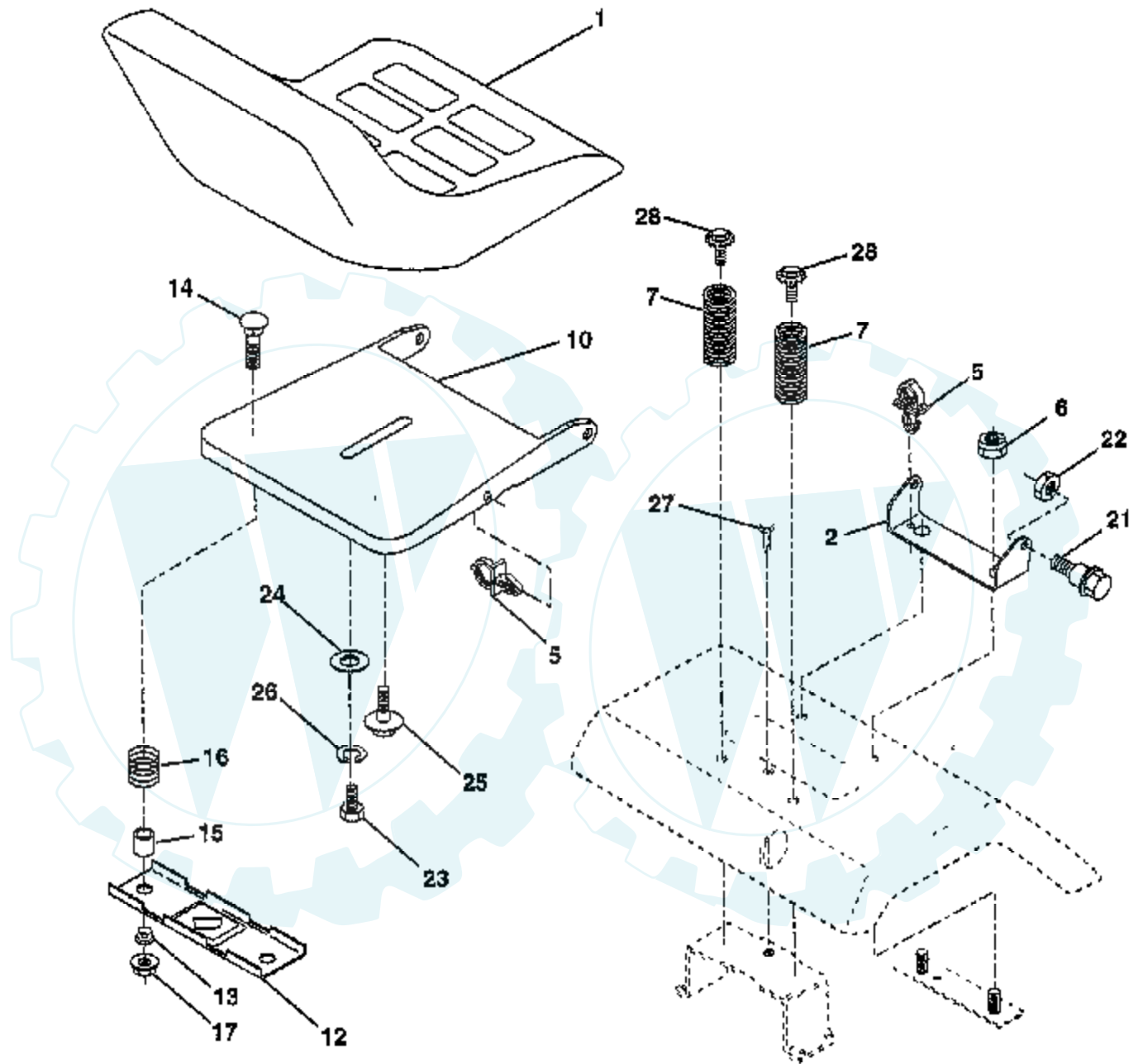
**NOTE**  
YOUR TRACTOR IS EQUIPPED WITH A SPECIAL ALTERNATOR SYSTEM THE LIGHTS ARE NOT CONNECTED TO THE BATTERY, BUT HAVE THEIR OWN ELECTRICAL SOURCE BECAUSE OF THIS, THE BRIGHTNESS OF THE LIGHTS WILL CHANGE WITH ENGINE SPEED. AT IDLE THE LIGHTS WILL DIM. AS THE ENGINE IS SPEEDED UP, THE LIGHTS WILL BECOME THEIR BRIGHTEST

NON-REMOVABLE CONNECTIONS      REMOVABLE CONNECTIONS

**WIRING INSULATED CLIPS**  
**NOTE:** IF WIRING INSULATED CLIPS WERE REMOVED FOR SERVICING OF UNIT, THEY SHOULD BE REPLACED TO PROPERLY SECURE YOUR WIRING

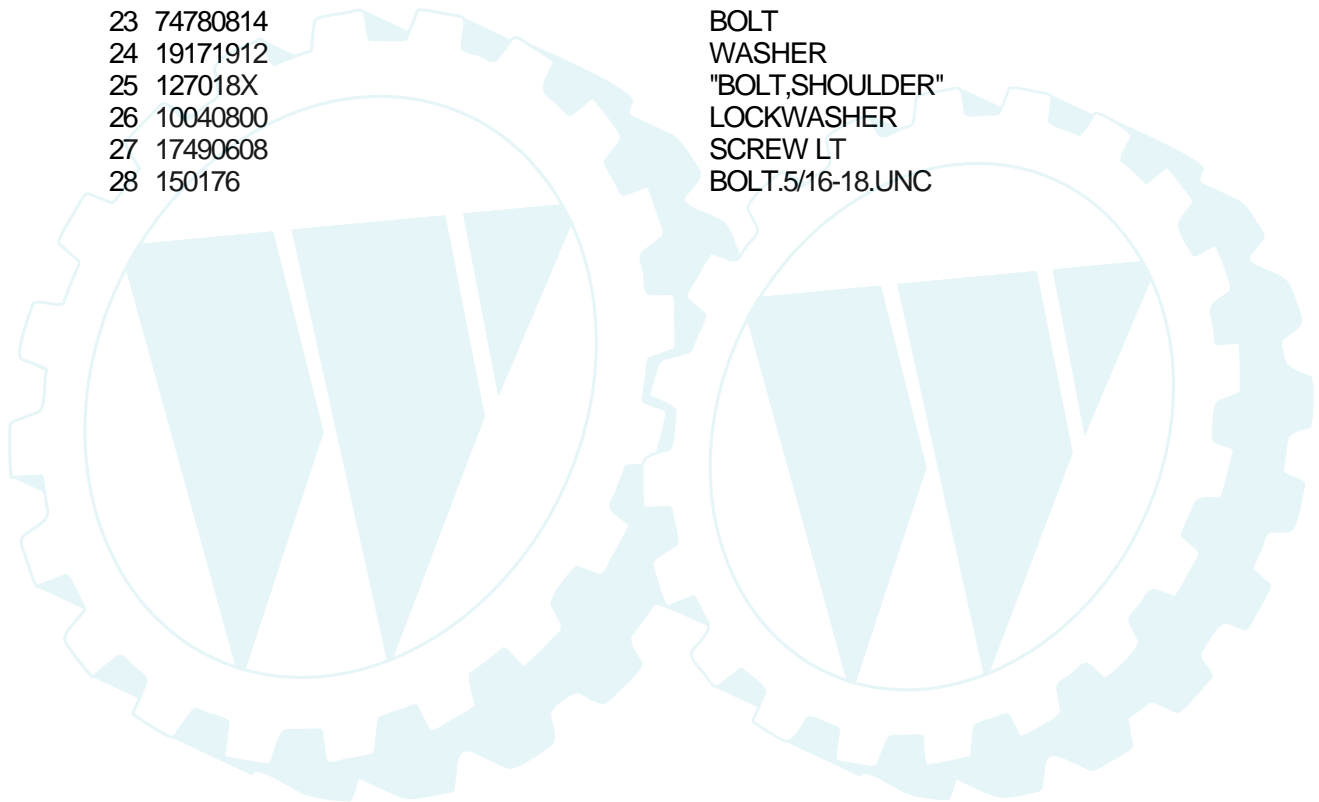
# TRACTOR - - MODEL NUMBER AYP8186B79

## SEAT ASSEMBLY



**NOTE:** All component dimensions given in U S inches  
1 inch = 25.4 mm

| Ref # | Part Number | Qty | Description       |
|-------|-------------|-----|-------------------|
| 1     | 140117      |     | SEAT.2400/1416.BK |
| 2     | 140551      |     | BRACKET PVT SEAT  |
| 5     | 145006      |     | CLIP.PUSH-IN.HING |
| 6     | 73800600    |     | NUT               |
| 7     | 124181X     |     | SPRING COMPRESSIO |
| 10    | 155925      |     | PAN-SEAT          |
| 12    | 121246X     |     | BRKT SWITCH       |
| 13    | 121248X     |     | BUSHING           |
| 14    | 72050411    |     | SUB= 872050411    |
| 15    | 134300      |     | SPLIT SPACER      |
| 16    |             |     | REFER TO IMAGE    |
| 17    |             |     | REFER TO IMAGE    |
| 21    | 153236      |     | "BOLT,SHOULDER"   |
| 22    | 73800500    |     | NUT               |
| 23    | 74780814    |     | BOLT              |
| 24    | 19171912    |     | WASHER            |
| 25    | 127018X     |     | "BOLT,SHOULDER"   |
| 26    | 10040800    |     | LOCKWASHER        |
| 27    | 17490608    |     | SCREW LT          |
| 28    | 150176      |     | BOLT.5/16-18.UNC  |



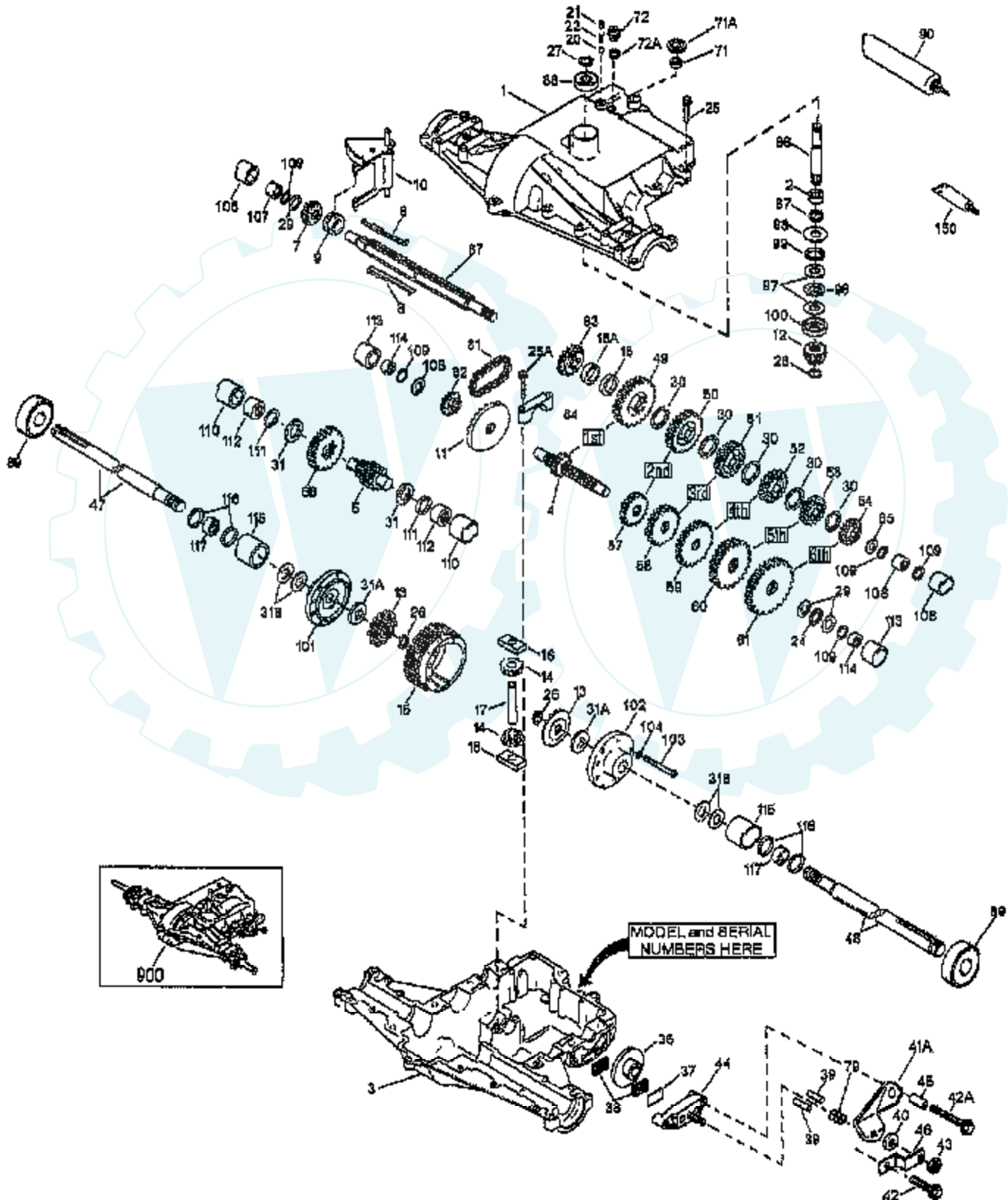




| Ref # | Part Number | Qty | Description         |
|-------|-------------|-----|---------------------|
| 1     | 140044      |     | WHEEL STR AYP BLK   |
| 2     | 154427      |     | AXLE ASM            |
| 3     | 156486      |     | "SPINDLE ASM,RH"    |
| 4     | 157475      |     | "SPINDLE AMS,LH"    |
| 5     | 6266H       |     | WASHER .T           |
| 6     | 121748X     |     | WASHER              |
| 7     | 19272016    |     | WASHER              |
| 8     | 12000029    |     | RING                |
| 9     | 3366R       |     | COL. SRTG. BEAR.    |
| 10    | 156438      |     | DRAGLINK-STAMPED    |
| 11    | 10040600    |     | LOCKWASHER          |
| 13    | 154779      |     | BEARING AXLE        |
| 15    | 73901000    |     | "NUT-LOC,FLANGE LT" |
| 17    | 156546      |     | SHAFT ASM STEERIN   |
| 18    | 57079       |     | THRUST WASHER       |
| 19    | 124035X     |     | SUPPORT.SHAFT       |
| 20    | 126684X     |     | SUB= 532126684      |
| 22    | 71200410    |     | SCREW HEX SOC1/4-   |
| 23    | 127501      |     | SUB= 918127501      |
| 25    | 154406      |     | BRKT-STEERING       |
| 26    | 126847X     |     | BUSHING.DRAGLINK    |
| 27    | 136874      |     | GEAR SECTOR         |
| 28    | 19131416    |     | WASHER              |
| 29    | 17490612    |     | SCREW               |
| 30    | 76020412    |     | COTTER PIN          |
| 32    | 130465      |     | TIE ROD             |
| 36    | 155099      |     | BUSHING.STEERING    |
| 37    | 152927      |     | "SCREW-TT,10-32 FL" |
| 38    | 140045      |     | CAP STEER AYP       |
| 39    | 19133808    |     | WASHER T            |
| 40    | 7810H       |     | GRIPCO NUT          |
| 41    | 100711L     |     | ADAPTER LT          |
| 42    | 145054      |     | BOOT.STEER.PL       |
| 43    | 121749X     |     | WASHER              |
| 44    | 153720      |     | EXT SHAFT STEERIN   |
| 46    | 121232X     |     | CAP                 |
| 47    | 6855M       |     | ZERK M              |
| 51    | 73800500    |     | NUT                 |
| 54    | 74780520    |     | BOLT                |
| 56    | 19131210    |     | WASHER              |
| 62    | 156594      |     | KIT STEERING ASM    |
| 63    | 74780616    |     | BOLT                |
| 65    | 154780      |     | SPACER AXLE         |
| 66    | 154404      |     | "BEARING-ARM,PITMA" |
| 67    | 74781044    |     | BOLT                |

# TRACTOR - - MODEL NUMBER AYP8186B79

## TRANSAXLE PEERLESS - MODEL NUMBER P820-016B

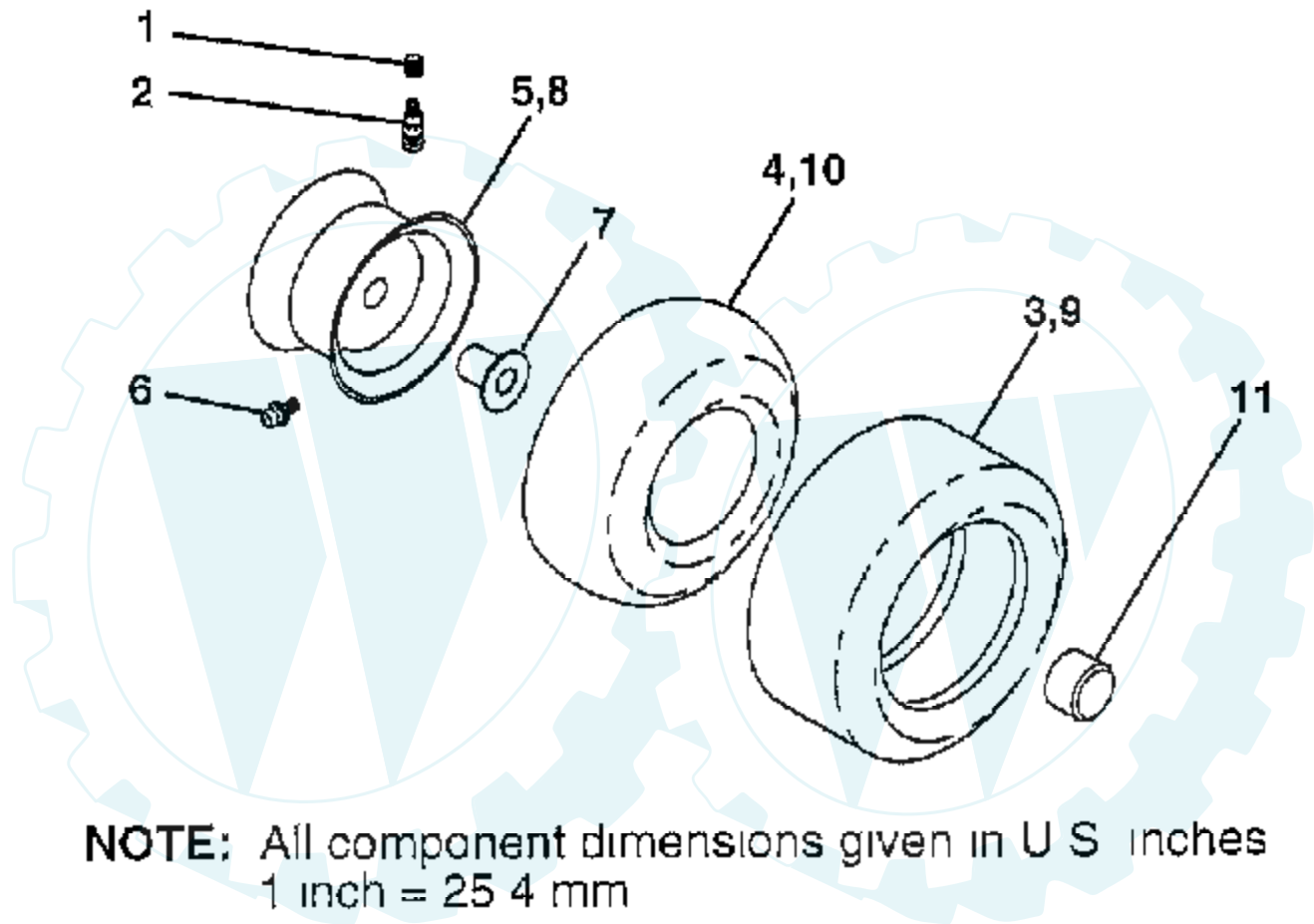


| Ref # | Part Number | Qty | Description                  |
|-------|-------------|-----|------------------------------|
|       | 794513      |     | TRANSAXLE, COMPLETE          |
| 1     | 772098A     |     | COVER TRANSAXLE              |
| 2     | 780155      |     | BEARING NEEDLE               |
| 3     | 770088      |     | CASE TRANSAXLE               |
| 4     | 776291      |     | SHAFT COUNTER                |
| 5     | 776275      |     | SHAFT, OUTPUT, 9T            |
| 6     | 778247      |     | GEAR, OUTPUT, 35T            |
| 7     | 778253      |     | GEAR, SPUR, 15T              |
| 8     | 792138      |     | KEY                          |
| 9     | 784216      |     | COLLAR SHIFT                 |
| 10    | 784342      |     | ROD AND FORK ASSY SHIFT      |
| 11    | 778246      |     | GEAR BEVEL, 33T              |
| 12    | 778245      |     | BEVEL PINION, 13T            |
| 13    | 778198      |     | GEAR BEVEL                   |
| 14    | 778197      |     | PINION, 10T                  |
| 15    | 778248      |     | GEAR, RING, 31T              |
| 16    | 786027      |     | BLOCK DRIVE                  |
| 17    | 786019      |     | PIN DRIVE                    |
| 18    | 786121      |     | SPACER, .350/.340 THICK      |
| 18A   | 786122      |     | SPACER, .276/.268 THICK      |
| 20    | 792077      |     | BALL STEEL, 5/16" DIA.       |
| 21    | 792078      |     | SCREW, 3/8-16 X 3/8"         |
| 22    | 792079      |     | SPRING                       |
| 24    | 780071      |     | THRUST BEARING               |
| 25    | 792129      |     | SCREW HEX HD 5/16-18 X 1-1/4 |
| 25A   | 792073      |     | SCREW, 1/4-20 X 1-1/4        |
| 26    | 792018      |     | RING STRAP                   |
| 27    | 792018      |     | RING STRAP                   |
| 28    | 788040      |     | RETAINING RING               |
| 29    | 780072      |     | WASHER THRUST                |
| 30    | 780108      |     | WASHER THRUST                |
| 31    | 780128      |     | WASHER THRUST                |
| 31A   | 780107      |     | WASHER                       |
| 31B   | 780042      |     | WASHER THRUST                |
| 36    | 790043      |     | DISK BRAKE                   |
| 37    | 790007      |     | PLATE BRAKE PAD              |
| 38    | 799021      |     | BRAKE PAD                    |
| 39    | 786026      |     | PIN DOWEL                    |
| 40    | 792076A     |     | WASHER                       |
| 41    | 790047      |     | LEVER BRAKE                  |
| 42    | 792073      |     | SCREW, 1/4-20 X 1-1/4        |
| 42A   | 792085A     |     | SCREW, 1/4-20 X 2-1/4        |
| 43    | 792075      |     | LOCKNUT 5/16-24              |
| 44    | 790025      |     | HOLDER BRAKE PAD             |
| 45    | 786067      |     | SPACER                       |
| 46    | 786086      |     | BRKT BRAKE LEVER             |
| 47    | 774832      |     | AXLE, 12-5/16" LONG          |
| 48    | 774831      |     | AXLE, 16-3/16" LONG          |
| 49    | 778216A     |     | GEAR, SPUR, 41T              |
| 50    | 778206A     |     | GEAR, SPUR, 35T              |
| 51    | 778205A     |     | GEAR, SPUR, 30T              |
| 52    | 778204A     |     | GEAR, SPUR, 25T              |
| 53    | 778203A     |     | GEAR, SPUR, 22T              |
| 54    | 778273      |     | GEAR, SPUR, 19T              |
| 57    | 778199      |     | GEAR, SPUR, 15T              |
| 58    | 778200      |     | GEAR, SPUR, 20T              |
| 59    | 778201      |     | GEAR, SPUR, 25T              |
| 60    | 778202      |     | GEAR, SPUR, 28T              |

| Ref # | Part Number | Qty | Description                 |
|-------|-------------|-----|-----------------------------|
| 61    | 778208      |     | GEAR, SPUR, 31T             |
| 65    | 780139      |     | WASHER                      |
| 66    | 776274      |     | SHAFT INPUT                 |
| 67    | 776313      |     | SHAFT BRAKE                 |
| 71    | 788069      |     | SEAL SQUARE CUT             |
| 71A   | 792145      |     | PUSHNUT                     |
| 72    | 792165      |     | THREADED PLUG 9/16-18       |
| 72A   | 788091      |     | "O" RING                    |
| 79    | 792144      |     | SPRING                      |
| 81    | 786081      |     | CHAIN, ROLLER               |
| 82    | 786082      |     | SPROCKET 9T                 |
| 83    | 786123      |     | SPROCKET 18T (REV)          |
| 84    | 786131      |     | BEARING CAP                 |
| 87    | 788042      |     | OIL SEAL 3/4                |
| 88    | 780119      |     | BEARING BALL                |
| 89    | 780050      |     | BEARING BALL                |
| 90    | 788067B     |     | GREASE BENTONITE, 32 OZ.    |
| 96    | 780084      |     | BEARING THRUST              |
| 97    | 780051      |     | WASHER THRUST               |
| 98    | 780165      |     | WASHER                      |
| 99    | 788077      |     | "O" RING                    |
| 100   | 780166      |     | WASHER CUPPED               |
| 101   | 774833      |     | CARRIER DIFF THREADED HOLES |
| 102   | 774834      |     | CARRIER DIFF                |
| 103   | 792020      |     | SCREW, 1/4-20 X 2-1/4       |
| 104   | 792006      |     | WASHER LOCK 1/4             |
| 105   | 780153      |     | WASHER                      |
| 106   | 786144      |     | SLEEVE                      |
| 107   | 780152      |     | BEARING NEEDLE              |
| 108   | 780150      |     | BEARING NEEDLE              |
| 109   | 792001      |     | "O" RING                    |
| 110   | 786142      |     | SLEEVE STEPPED              |
| 111   | 788071      |     | RING SQ CUT                 |
| 112   | 780168      |     | BEARING NEEDLE CAPPED       |
| 113   | 786143      |     | SLEEVE STEPPED              |
| 114   | 780151      |     | BEARING NEEDLE CAPPED       |
| 115   | 786145      |     | SLEEVE STEPPED              |
| 116   | 788070      |     | RING SQ CUT                 |
| 117   | 780031      |     | BEARING NEEDLE              |
| 150   | 788093      |     | GASKET ELIMINIATOR          |
| 900   | 794513      |     | TRANSAXLE, COMPLETE         |

# TRACTOR - - MODEL NUMBER AYP8186B79

## WHEELS AND TIRES



| Ref # | Part Number | Qty | Description              |
|-------|-------------|-----|--------------------------|
| 1     | 59192       |     | VALVE CAP                |
| 2     | 65139       |     | VALVE STEM LT            |
| 3     | 106230X     |     | SUB= 122075X             |
| 4     | 59904       |     | TUBE.5.3/4.5/6           |
| 5     | 106228X427  |     | "RIM ASM 8" FRT"         |
| 6     | 278H        |     | FITTING LT               |
| 7     | 9040H       |     | "FLANGE, BEARING"        |
| 8     | 124074X427  |     | RIM.REAR.                |
| 9     | 124106X     |     | SUB= 138756              |
| 10    | 7154J       |     | TUBE.23X8/10-12          |
| 11    | 104757X     |     | HUB CAP                  |
|       | 144334      |     | SEALANT.TIRE 10 OZ. TUBE |

