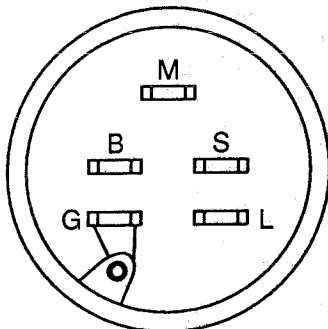
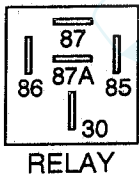
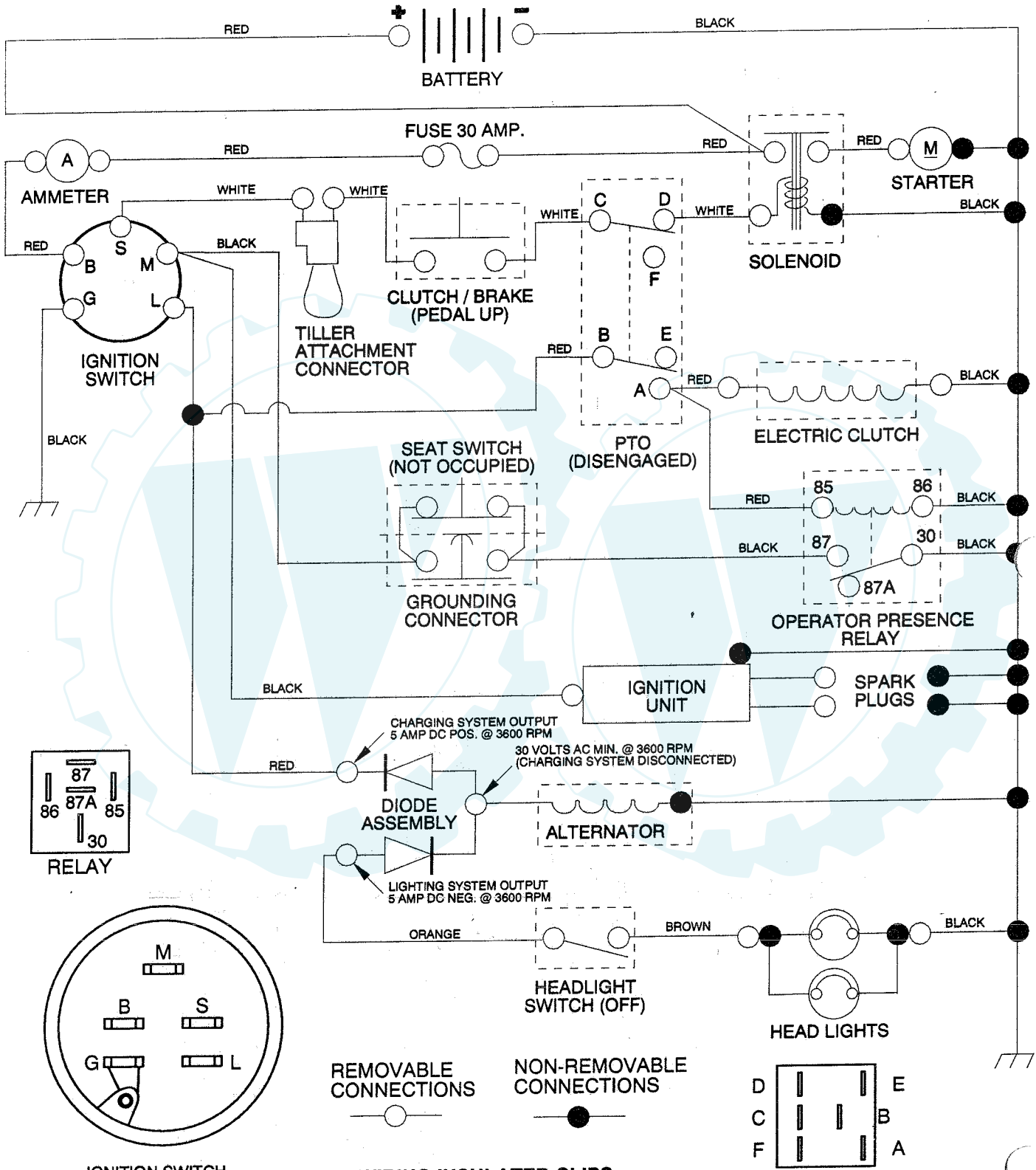


18 HP 44" TRACTOR - - MODEL NUMBER AYP8186A39

SCHEMATIC



IGNITION SWITCH

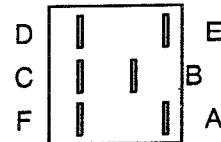
POSITION	CIRCUIT
OFF	M + G
ON	B + L
START	B + S

REMOVABLE CONNECTIONS

NON-REMOVABLE CONNECTIONS

WIRING INSULATED CLIPS

NOTE: IF WIRING INSULATED CLIPS WERE REMOVED FOR SERVICING OF UNIT, THEY SHOULD BE REPLACED TO PROPERLY SECURE YOUR WIRING














PTO SWITCH

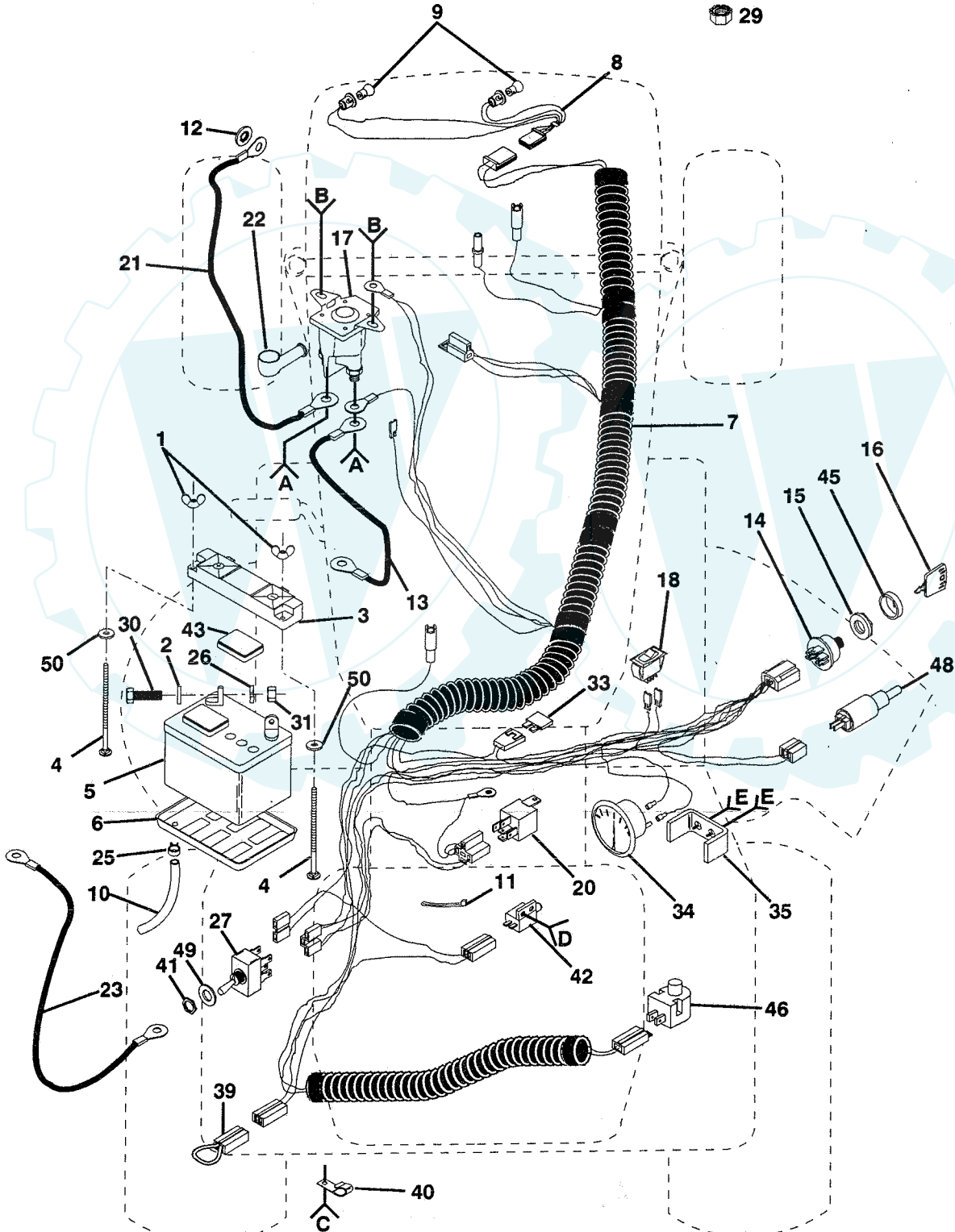
POSITION	CIRCUIT
OFF	B + E, C + D
ON	B + A, C + F

REPAIR PARTS

18 HP 44" TRACTOR - - MODEL NUMBER AYP8186A39

ELECTRICAL

- | | | | | |
|--|--|--|--|--|
| A | B | C | D | E |
|  24 |  28 |  28 |  47 |  38 |
|  44 | | | |  36 |
| |  32 |  19 | |  37 |
| |  29 | | | |



Der Ersatzteilspezialist im Internet.

REPAIR PARTS

18 HP 44" TRACTOR - - MODEL NUMBER AYP8186A39

ELECTRICAL

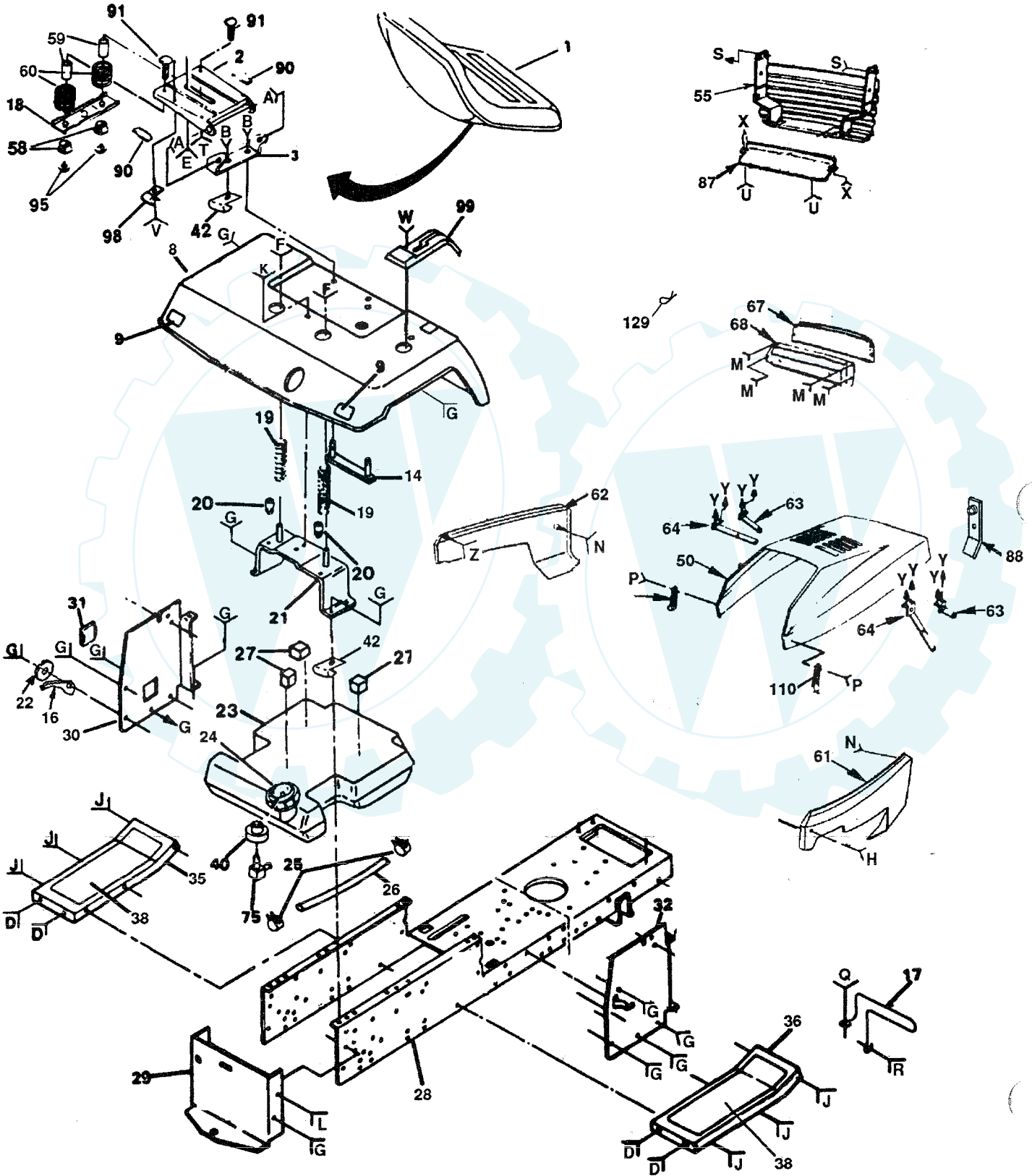
KEY NO.	PART NO.	DESCRIPTION
1	123198X	Wingnut 1/4-20
2	19091016	Washer 9/32 x 5/8 x 16 Ga.
3	102476X	Guard, Terminal
4	72240460	Bolt, Carriage 1/4-20 x 7-1/2
5	121537X	Battery
6	7603J	Tray, Battery
7	138803	Harness, Ignition
8	127441X	Harness, Light Socket
9	7662J	Bulb, Light
10	7697J	Tube, Battery Tray
11	7192J	Cable Tie
12	11150400	Washer, Lock Internal Tooth 1/4
13	4206J	Cable, Battery (Battery to Solenoid)
14	4406R	Switch, Ignition
15	124211X	Nut, Ignition
16	122147X	Key, Molded
17	138406	Solenoid
18	110712X	Switch, Light
19	73680400	Nut, Hex 1/4-20
20	109748X	Relay
21	4799J	Cable, Battery (Solenoid to Starter)
22	131563	Cover, Terminal (For Solenoid)
23	4207J	Cable, Battery (Battery to Ground)
24	10090400	Washer, Lock, External Tooth 1/4
25	109596X	Clamp, Hose
26	10040400	Washer, Lock 1/4
27	126016X	Switch, PTO
28	74780408	Bolt, Hex 1/4-20 x 1/2 Gr. 5
29	73510400	Nut, Keps, Hex 1/4-20
30	74760412	Bolt, Hex 1/4-20 x 3/4
31	73220400	Nut, Hex 1/4-20
32	11050400	Washer, Lock, External Tooth 1/4
33	108824X	Fuse, 30 AMP
34	9433R	Ammeter
35	131708	Bracket, Ammeter
36	10101000	Washer, Lock #10
37	73911000	Nut
38	19070818	Washer 7/32 x 1/2 x 18 Ga.
39	102501X	Loop, Wire
40	235R	Clip, Insulated
41	4022J	Nut, Hex
42	104445X	Switch, Interlock, Clutch
43	121264X	Cap, Battery
44	73350400	Nut, Keps #10-32 UNF
45	123620X	Bezel, Ignition
46	121305X	Switch, Plunger
47	17021008	Screw, Hex, Tapping #10-24 UNC x 1/2 Type T
48	135665	Diode Assembly
49	19171216	Washer 17/32 x 3/4 x 16 Ga.
50	19121618	Washer 3/4 x 1" x 18 Ga.

NOTE: All component dimensions given in U.S. inches.
1 inch = 25.4 mm

REPAIR PARTS

18 HP 44" TRACTOR - - MODEL NUMBER AYP8186A39

CHASSIS AND ENCLOSURES



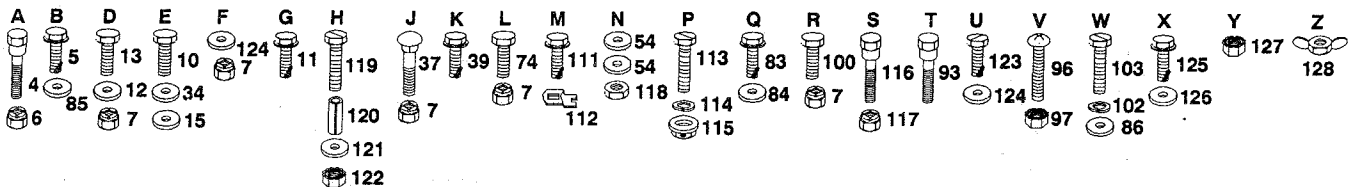
REPAIR PARTS

18 HP 44" TRACTOR - - MODEL NUMBER AYP8186A39

CHASSIS AND ENCLOSURES

KEY NO.	PART NO.	DESCRIPTION	KEY NO.	PART NO.	DESCRIPTION
1	127440	Seat	61	137655X418	Panel, Side, R.H.
2	131451	Pan, Seat	62	132637X418	Panel, Side, L.H.
3	126656X	Bracket, Pivot, Seat	63	104618X	Strap Asm, Hinge, Front
4	105529X	Bolt, Shoulder 5/16 - 18	64	106784X	Strap Asm, Hinge, Rear
5	17490508	Screw, Thrd. Rolling 5/16-18 x 1/2	67	106395X	Lens, Headlight, Bar
6	73680500	Nut, Crownlock 5/16-18	68	124392X417	Bezel, Headlight
7	73680600	Nut, Crownlock 3/8-16	74	74760612	Bolt, Hex 3/8-16 x 3/4
8	123784X505	Fender	75	139277	Stem, Tank, Fuel
9	106202X	Reflector, Rear	83	17490616	Screw 3/8-16 x 1" Thd Rolling
10	74780814	Bolt, Hex 1/2-13 x 7/8 Gr. 5	84	19131616	Washer 13/32 x 1 x 16 Ga.
11	17490612	Screw, Hex Washer Thd. Roll 3/8-16 x 3/4	85	19131614	Washer 13/32 x 1 x 14 Ga.
12	19131312	Washer 13/32 x 13/16 x 12 Ga.	86	19060718	Washer 3/16 x 7/16 x 18 Ga.
13	74760612	Bolt, Hex 3/8-16 x 3/4	87	105419X418	Strap, Grille
14	105511X	Strap, Fender	88	132644	Bracket, Grille
15	19171912	Washer 11/32 x 13/16 x 12 Ga.	90	121251X	Strip, Foam
16	123933X505	Pointer, Height Indicator	91	72050411	Bolt, Carr. 1/4-20 x 1-3/8
17	135029	Guard, Muffler	93	127018X	Shoulder Bolt
18	121246X	Bracket, Switch, Seat	95	123976X	Nut, Hex Large Flange
19	124181X	Compression, Spring, R.H.	96	74641008	Screw, Std. Pan Head #10-24 x 1/4
20	105531X	Nut, Push	97	73951000	Nut, Keps #10-24
21	137113	Bracket, Fender	98	4171R	Clip, Insulated
22	120529X	Washer, Nylon	99	123825X	Console, Shifter
23	127334X	Tank, Fuel	100	72110608	Bolt, Carriage 3/8-16 UNC x 1
24	123549X	Cap, Fuel	102	10100800	Washer, Lock #8
25	123487X	Clamp, Hose	103	74640806	Screw #8 x 3/8
26	8543R	Line, Fuel	110	109808X	Latch, Chute
27	106082X	Pad, Spacer	111	17211010	Screw, Hex, Washer Hd. Tapping
28	127166X	Chassis Assembly	112	104755X	"J" Fastener
29	123785X	Drawbar	113	74191008	Screw, Machine #10-24 x 1/2
30	138644	Panel, Dash, L.H.	114	10071000	Washer, Lock
31	121794X	Cover, Access	115	2029J	Nut, Weld #10-24
32	138643	Panel, Dash, R.H.	116	123481X	Bolt, Shoulder 1/4-20
34	10040800	Lockwasher	117	73680400	Nut, Crownlock 1/4-20
35	105465X505	Footrest, L.H.	118	73220400	Nut, Fin, Hex 1/4-20
36	105464X505	Footrest, R.H.	119	74981020	Screw, Machine #10-24 x 1-1/4
37	72110606	Bolt, Carr. 3/8-16 x 3/4	120	7206J	Spacer, Split
38	133671	Pad, Footrest	121	19070818	Washer 7/32 x 1/2 x 18 Ga.
39	17490608	Screw, Thrd. 3/8-16 x 1/2	122	73731000	Nut, Keps #10-24
40	3645J	Bushing	123	17490512	Screw, Thrd. Rolling 5/16-18 x 3/4
42	2751R	Clip, Insulated	124	19131210	Washer 13/32 x 3/4 x 10 Ga.
43	110436X	Grommet, Split	125	17490412	Screw, Hex, Washer Hd, Thrd. Rolling
50	132635X505	Hood	126	19091016	Washer 9/32 x 5/8 x 16 Ga.
54	19091216	Washer 9/32 x 3/4 x 16 Ga.	127	73510400	Nut, Keps 1/4-20
55	131716	Grill	128	123198X	Nut, Plastic, Locking Wing 1/4-20
58	121248X	Bushing, Snap			
59	121249X	Spacer, Split			
60	123740X	Spring, Compression			

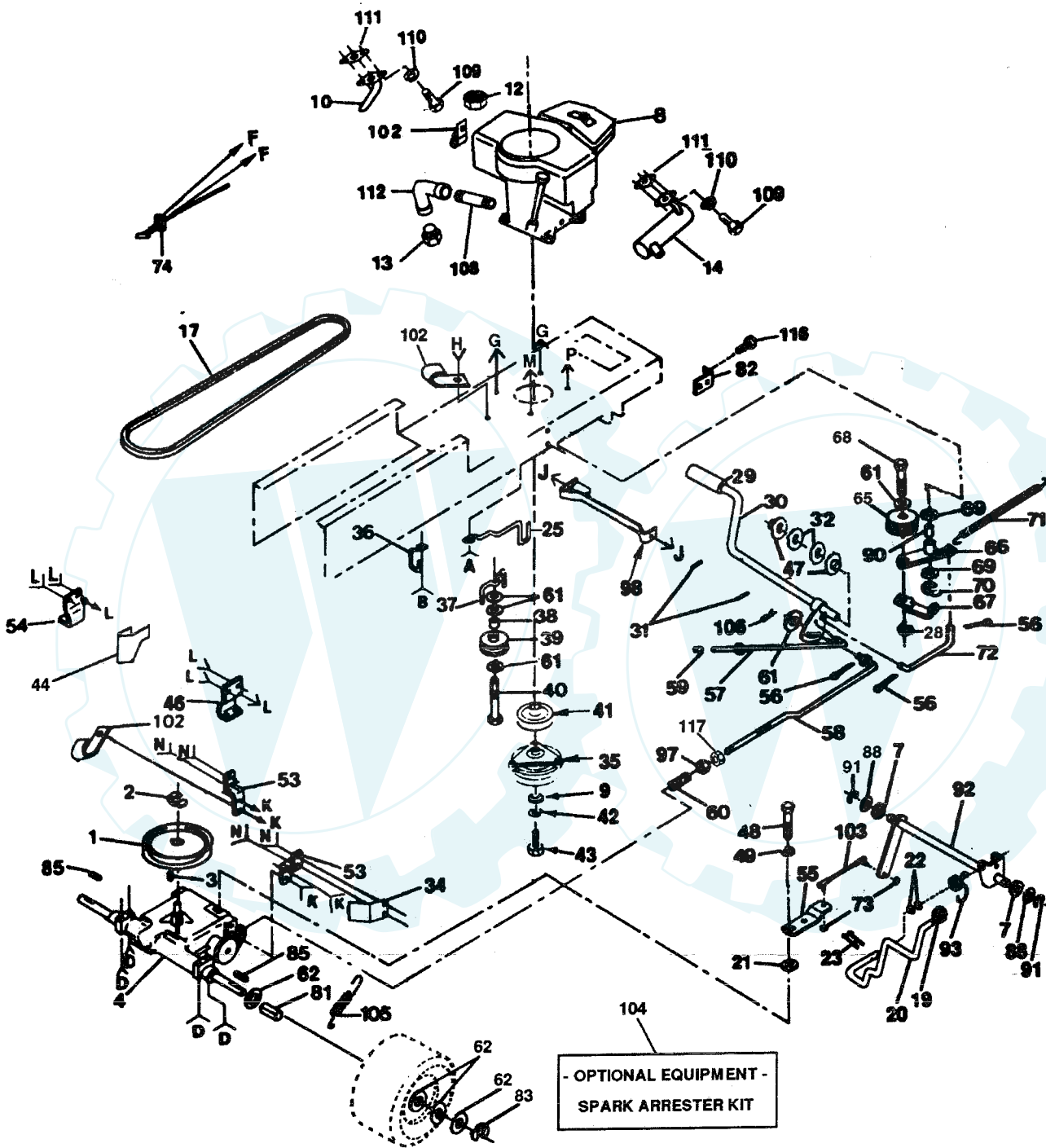
NOTE: All component dimensions given in U.S. inches.
1 inch = 25.4 mm.



REPAIR PARTS

18 HP 44" TRACTOR - - MODEL NUMBER AYP8186A39

DRIVE



- | | | | | | | | | | | | |
|----------|----------|----------|----------|----------|----------|----------|----------|----------|----------|----------|----------|
| A | B | D | F | G | H | J | K | L | M | N | P |
| | | | | | | | | | | | |
| | | | | | | | | | | | |
| | | | | | | | | | | | |

Der Ersatzteilspezialist im Internet.

REPAIR PARTS

18 HP 44" TRACTOR - - MODEL NUMBER AYP8186A39

DRIVE

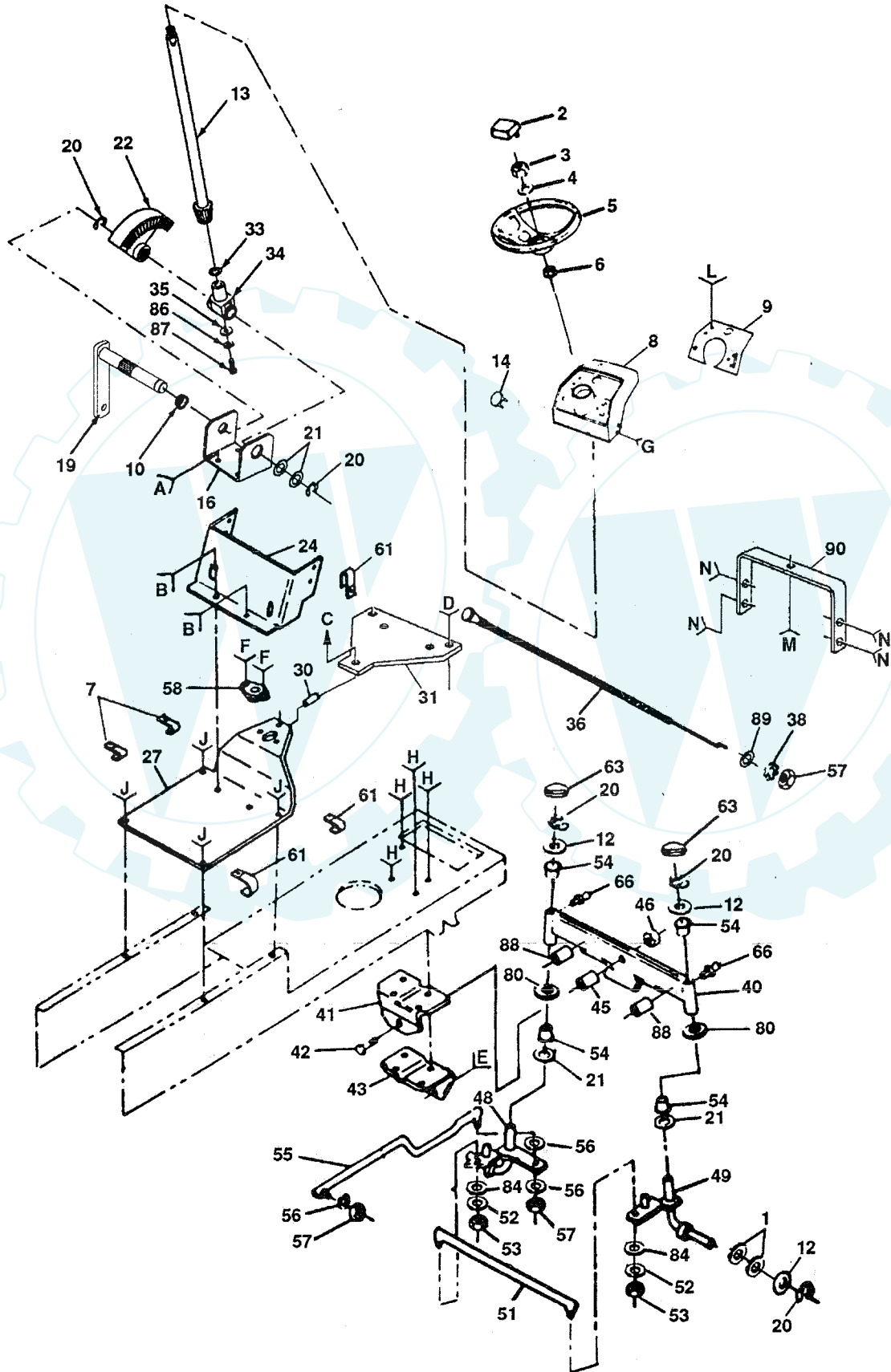
KEY NO.	PART NO.	DESCRIPTION	KEY NO.	PART NO.	DESCRIPTION
1	121327X	Pulley, Transaxle (Driven)	55	123794X	Shift Arm
2	12000004	Ring, Retainer	56	76020412	Pin, Cotter 1/8 x 3/4
3	2228M	Key, Woodruff #9	57	133261	Rod, Brake, Park
4	123797X	Transaxle, Peerless Model No. 820-016A	58	123786X	Rod, Brake
5	72140506	Bolt, Carriage 5/16-18 x 3/4	59	71673	Cap, Plunger
6	19111012	Washer 11/32 x 5/8 x 12 Ga.	60	126909X	Spring, Rod, Brake
7	71208	Bushing, Rod, Steering	61	19131316	Washer 13/32 x 13/16 x 16 Ga.
8	-----	Engine (See Breakdown)	62	123800X	Washer 1-1/32 x 1-5/8 x 16 Ga.
9	126197X	Washer 15/32 x 1-3/4 x 1/4	65	127783	Pulley, Idler
10	100229L	Tube Assembly, Exhaust	66	123789X	Arm, Idler
11	17490628	Screw, Hex Wsh. Thdrol 3/8-16 x 1-3/8	67	123205X	Retainer, Belt
12	73510600	Nut, Keps 3/8-16	68	74760624	Bolt, Hex 3/8-16 x 1-1/2
13	-----	Plug, Oil Drain (Order from Engine Mfg.)	69	110812X	Washer, Hardened
14	108373X	Muffler	70	12000039	Ring, Clip
17	123796X	V-Belt, Drive	71	105709X	Spring, Return, Clutch
19	106933X	Knob	72	105710X	Link, Clutch
20	123781X	Rod, Shifter	73	73530400	Nut 1/4-28
21	105701X	Washer, Shift Plate	74	132747	Control, Throttle
22	19171216	Washer 17/32 x 3/4 x 16 Ga.	75	17720410	Screw, Hex, Thread Cutting 1/4-20 x 5/8
23	76020416	Pin, Cotter 1/8 x 1	81	108097X	Spacer, Split
24	17490612	Screw, Hex Washer Hd.Thd. Roll. 3/8-16 x 3/4	82	108236X	Bracket, Switch
25	129921	Keeper, Belt, Engine, LH	83	12000053	E-Ring
26	74760616	Bolt, Hex 3/8-16 x1	85	9396E	Key Square 1/4 x 2
27	19131312	Washer 13/32 x 13/16 x12Ga.	87	17490624	Bolt, Hex, Washer, Thread Rolling 3/8-16 x 1-1/2
28	73680600	Nut, Crownlock 3/8-16	88	19212016	Washer 21/32 x 1-1/4 x 16 Ga.
29	8883R	Cover, Foot Pedal	89	74760612	Bolt Hex 3/8-16 x 3/4
30	122424X	Shaft, Foot Pedal	90	105706X	Bearing
31	1572H	Pin, Roll 3/16 x 1	91	12000008	Ring, Klip
32	19211616	Washer 21/32 x 1 x 16 Ga.	92	123772X	Shaft Assembly, Shifter
34	123792X	Keeper, Belt, Transaxle, R.H.	93	123782X	Spring, Torsion
35	137140	Clutch, Electric	94	11050600	Washer, Lock, Ext. Tooth 3/8
36	136715	Retainer, Belt	97	73800600	Locknut 3/8-16
37	109070X	Keeper, Belt	98	137141	Bracket Assembly, Clutch
38	4470J	Spacer	101	17490512	Screw, Hex, Washer, Thread Rolling 5/16-18 x 3/4
39	123674X	Idler, Flat	102	2751R	Clip, Fuel Line
40	74760644	Bolt, Hex 3/8-16 x 2-3/4	103	123793X	Rod, Tie
41	136906	Pulley, Engine	104	132922	Spark Arrester Kit
42	10040700	Washer, Lock 7/16	105	110422X	Spring, Brake Return
43	71170768	Bolt, Hex 7/16-20 x 4-1/4	106	4497H	Clip, Hair Pin
44	123791X	Keeper, Belt, Transaxle, L.H.	108	13280336	Nipple, Pipe
46	123776X	Bracket Transaxle, R.H.	109	74780412	Bolt, Hex 1/4-20 x 3/4
47	120183X	Bearing Nylon	110	10040400	Washer, Lock 1/4
48	71040412	Bolt, Hex 1/4-28 x 3/4	111	8545J	Gasket
49	19091216	Washer 9/32 x 3/4 x 16 Ga.	112	13200300	Elbow, Pipe STD 90°
51	73680500	Nut, Crownlock 5/16-18	116	17021008	Screw, Tap Hex Hd. #10-24 x 1/2
52	74760540	Bolt, Hex 5/16 -18 x 2-1/2	117	73350600	Nut, Hex Jam 3/8-16
53	123787X	Strap, Torque			
	123780X	Bracket, Transaxle, L.H.			

NOTE: All component dimensions given in U.S. inches.
1 inch = 25.4 mm

REPAIR PARTS

18 HP 44" TRACTOR - - MODEL NUMBER AYP8186A39

STEERING ASSEMBLY



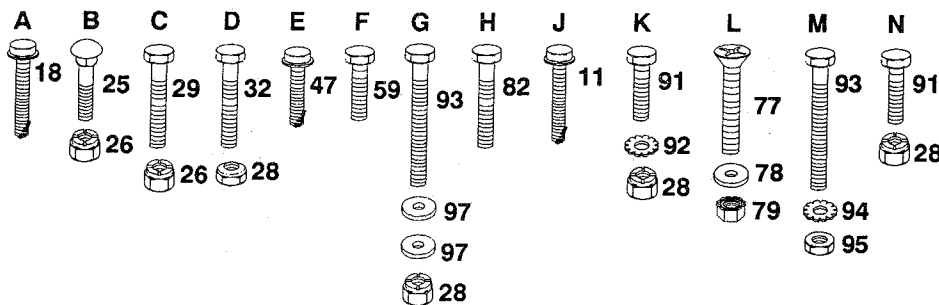
REPAIR PARTS

18 HP 44" TRACTOR - - MODEL NUMBER AYP8186A39

STEERING ASSEMBLY

KEY NO.	PART NO.	DESCRIPTION	KEY NO.	PART NO.	DESCRIPTION
1	121749X	Washer, 25/32 x 1-1/4 x 16 Ga.	42	74761060	Bolt, Hex 5/8-11 x 3-3/4
2	133742	Insert, Steering Wheel	43	105664X	Support, Saddle, Front
3	73940800	Nut, Hex Jam Top Lock 1/2-20 UNF	45	110438X	Spacer, Bearing, Front Axle
4	100712K	Washer	46	73901000	Locknut, Hex w/wsh 5/8 - 11 UNC
5	133741	Wheel, Steering	47	17490508	Screw, Hex Washer Thd. Rolling 5/16-18 x 1/2
6	100711L	Adapter, Steering Wheel	48	135227	Spindle, L.H.
8	124252X	Dash	49	135228	Spindle, R.H.
9	121444X028	Dash Plate	51	130467	Rod, Tie
10	109816X	Nyliner, Snap-In	52	10040500	Washer, Lock 5/16
11	17490608	Screw, Hex Washer Thd. Rolling 3/8-16 x 1/2	53	73810500	Nut, Hex 5/16-24
12	121748X	Washer 25/32 x 1-5/8 x 16 Ga.	54	3366R	Bearing
13	128758	Shaft, Steering	55	130468	Link, Drag
14	8022J	Plug, Hole	56	10040600	Washer, Lock 3/8
16	124036X	Bracket, Steering	57	73610600	Nut, Hex 3/8-24
18	17490612	Screw, Hex Washer Thd. Rolling 3/8-16 x 3/4	58	1554J	Bushing, Steering
19	127501	Shaft, Pitman	59	17431008	Screw, Hex #10-16 x 1/2
20	12000029	Klip Ring	61	2751R	Clip, Fuel Line
21	6266H	Bearing, Thrust	63	121232X	Spindle, Cap
22	136874	Gear, Sector	66	6855M	Grease Zerk
23	104783X	Dash, Lower	77	74180512	Screw, Pan Head 5/16-18 x 3/4
25	74180512	Screw, Crown Truss Hd. 5/16-18 x 3/4	78	19111116	Washer 13/32 x 11/16 x 16 Ga.
26	73680500	Nut, Crownlock 5/16-18	79	73510500	Nut, Keps 5/16-18
27	123783X016	Saddle	80	19272016	Washer 27/32 x 1-1/4 x 16 Ga.
28	73680600	Nut, Crownlock 3/8-16	82	122819X	Screw, Special 3/8-16 x 3/4
29	74760532	Bolt, Hex 5/16-18 x 2	84	19111216	Washer 11/32 x 3/4 x 16 Ga.
30	121236X	Spacer	86	10040400	Washer, Lock 1/4
31	137654	Support, Battery	87	71070410	Screw, Socket, Hex 1/4 x 20 x 5/8
32	74760612	Bolt, Hex 3/8-16 x 3/4	88	132624	Pin, Axle 5/8 x 1.55/1.54
33	57079	Washer	89	19131316	Washer 13/32 x 13/16 x 16 Ga.
34	124035X	Shaft, Support	90	124130X	Support, Dash
35	126684X	Washer 5/8 x 1/4 x 16 Ga.	91	74760612	Bolt, Fin, Hex 3/8-16 x 3/4
36	132781	Control, Choke	92	11050600	Washer, Lock, Ext. Tooth
38	11050600	Washer, Lock, Int./Ext. Tooth 3/8	93	74760616	Bolt, Fin, Hex 3/8-16 x 1
40	108075X	Axle, Front	94	11050400	Washer, Lock, Ext. Tooth
41	105663X	Support, Saddle, Rea	95	73220400	Nut, Fin, Hex 1/4-20
			97	19131312	Washer 13/32 x 13/16 x 12 Ga.

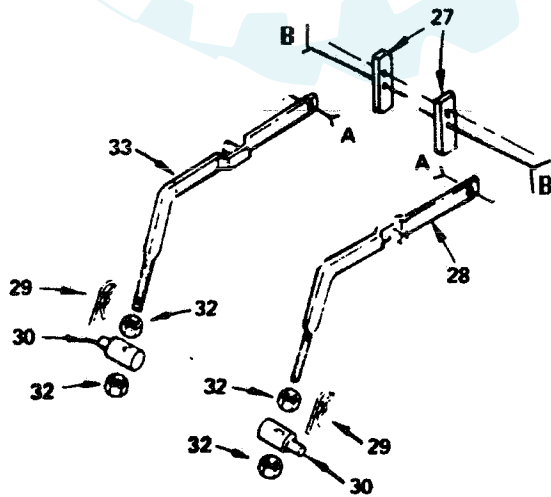
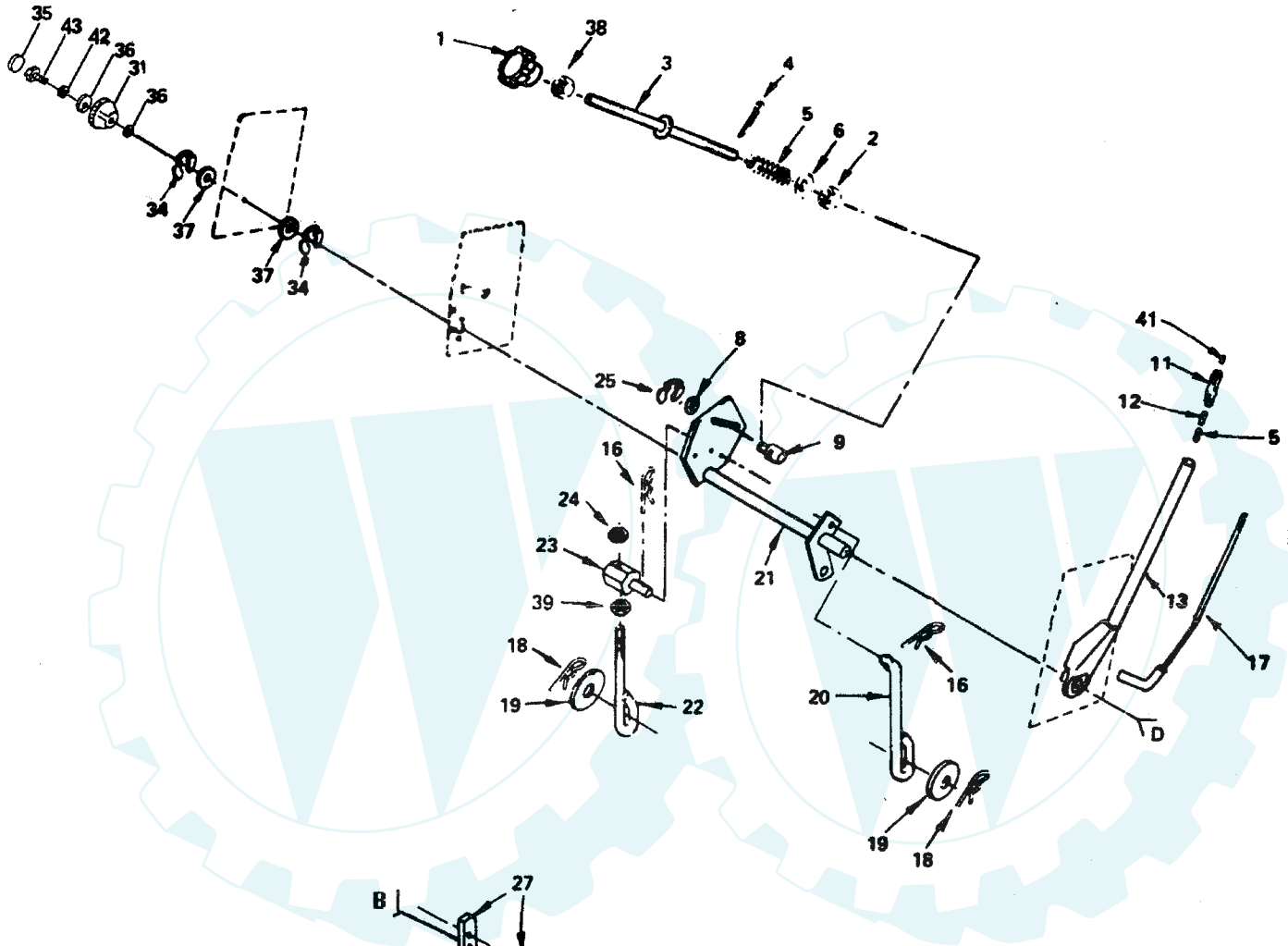
NOTE: All component dimensions given in U.S. inches.
1 inch = 25.4 mm









REPAIR PARTS

18 HP 44" TRACTOR -- MODEL NUMBER AYP8186A39

LIFT ADJUSTMENT



- | | | |
|---|---|---|
| A | D | B |
|  |  |  |
| 10 | 40 | 7 |
|  | | |
| 14 | | |
|  | | |
| 15 | | |
| | |  |
| | | 26 |

REPAIR PARTS

18 HP 44" TRACTOR - - MODEL NUMBER AYP8186A39

LIFT ADJUSTMENT

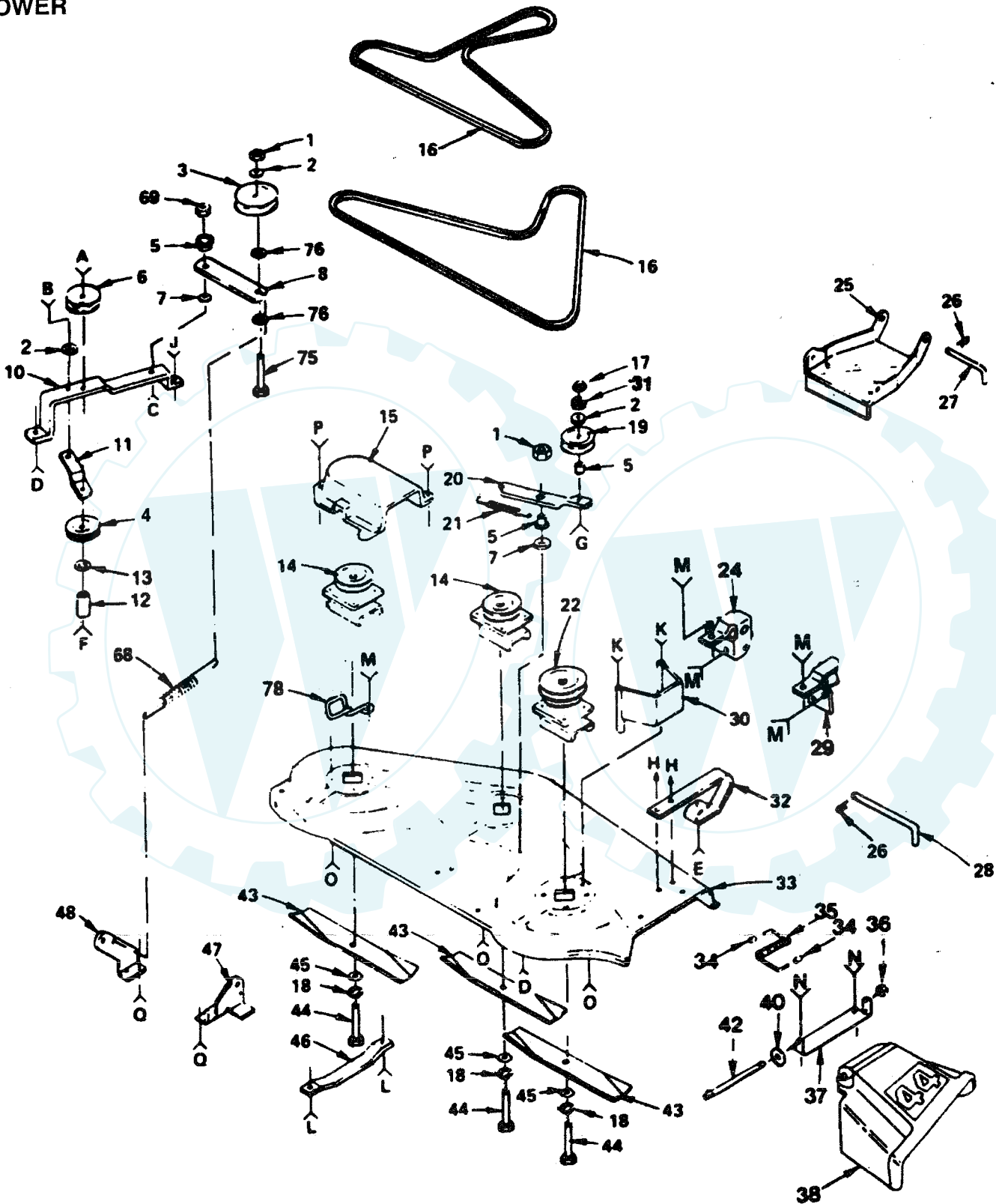
KEY NO.	PART NO.	DESCRIPTION	KEY NO.	PART NO.	DESCRIPTION
1	138057	Knob, Infinite Adjustment	24	73710700	Nut, Corownlock 7/16-20 UNF
2	110807X	Nut, Hex Special	25	12000037	Klip Ring
3	110729X	Rod, Adjust, Lift	26	73680600	Nut, Crownlock 3/8-16
4	76020308	Pin, Cotter 3/32 x 1/2	27	121252X	Upstop Mower
5	2876H	Spring	28	121598X	Arm, Suspension, R.H.
6	19131016	Washer 13/32 x 5/8 x 16 Ga.	29	9135R	Retainer Spring
7	72140608	Bolt, Carriage 3/8-16 x 1	30	106308X	Trunnion, Lift, Lower
8	19151216	Washer 15/32 x 3/4 x 16 Ga.	31	123934X	Scale, Height Indicator
9	110810X	Trunnion	32	73220800	Nut, Hex Fin. 1/2-13
10	105848X	Bolt, Shoulder 3/8 - 16	33	121599X	Arm, Suspension, L.H.
11	109413X	Grip, Handle	34	12000022	E-Ring
12	122364X	Plunger, Lever	35	123935X	Plug, Hole
13	121002X	Lever, Lift (Includes Key No. 17)	36	19112410	Washer 11/32 x 1-1/2 x 10 Ga.
14	110739X	Washer, Spring	37	19292016	Washer 29/32 x 1-1/4 x 16 Ga.
15	73980600	Nut, Flangelock 3/8 - 16	38	73350600	Nut, Hex Jam 3/8-16
16	4939M	Retainer, Spring	39	73360700	Nut, Hex Jam 7/16-20
17	121006X	Rod, Lever	40	74780624	Bolt, Hex 3/8-16 x 1-1/2
18	4921H	Retainer, Spring	41	124526X	Button, Plunger
19	19171516	Washer 17/32 x 15/16 x 16 Ga.	42	10040500	Washer, Lock, Hvy Helical Spring 5/16-18 x 1
20	110029X	Link, Lift	43	74780516	Bolt, Hex 5/16-18 x 1
21	131926	Shaft, Lift			
22	110448X	Link, Lift, Adjust			
23	110447X	Trunnion, Lift			

NOTE: All component dimensions given in U.S. inches.
1 inch = 25.4 mm

REPAIR PARTS

18 HP 44" TRACTOR - - MODEL NUMBER AYP8186A39

MOWER



- | | | | | | | | | | | | | | | | |
|--------------------------------|---------------------|----------------|----------------|---------------------------------|---------------------|----------------|---------------------------|---------------------|----------------------------|----------------------|----------------------------|----------------------|----------------|----------------------------|---------------------|
| A
51
77
2
1 | B
52
1 | C
53 | D
54 | E
55
56
72
1 | F
58
1 | G
59 | H
55
72
1 | J
23
1 | K
62
61
57 | L
79
57 | M
55
61
57 | N
55
57 | O
66 | P
70
56
57 | Q
67
1 |
|--------------------------------|---------------------|----------------|----------------|---------------------------------|---------------------|----------------|---------------------------|---------------------|----------------------------|----------------------|----------------------------|----------------------|----------------|----------------------------|---------------------|

Der Ersatzteilspezialist im Internet.

REPAIR PARTS

18 HP 44" TRACTOR - - MODEL NUMBER AYP8186A39

MOWER

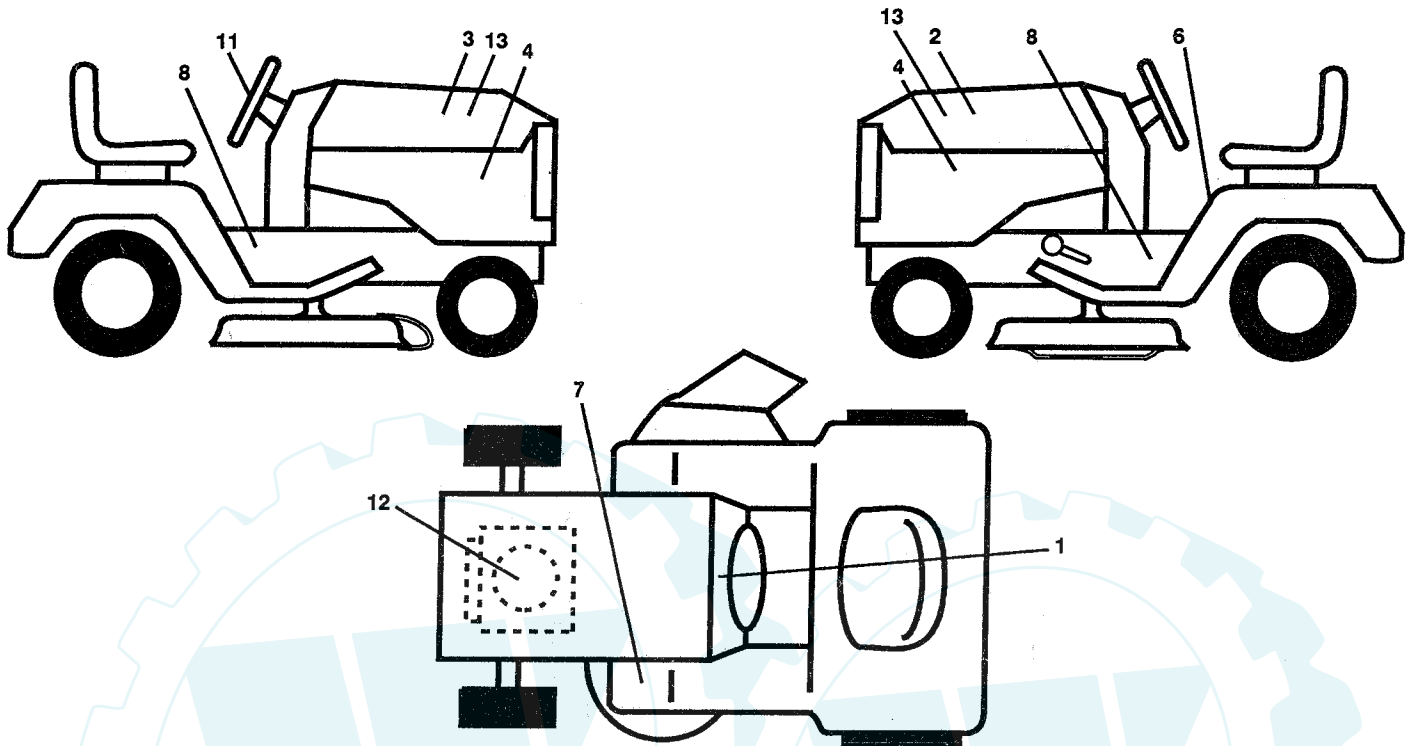
KEY NO.	PART NO.	DESCRIPTION	KEY NO.	PART NO.	DESCRIPTION
1	73680600	Nut, Crownlock 3/8-16	40	19111016	Washer 11/32 x 5/8 x 16 Ga.
2	19131614	Washer 13/32 x 1 x 14 Ga.	42	106735X	Rod Hinge
3	121316X	Pulley Idler	43	106635X	Blade
4	102403X	Pulley, Idler	44	74610624	Bolt, Hex 3/8-24 x 1- 1/2 Gr. 5
5	106902X	Spacer	45	19132012	Washer 13/32 x 1-1/4 x 12 Ga.
6	677A451	Pulley Idler	46	7631J	Runner, L.H.
7	106513X	Washer - Wear	47	123807X	Bracket Suspension, Rear, R.H.
8	121425X	Arm, Idler	48	123808X	Bracket, Suspension, Rear, L.H.
10	106523X	Bar Support, Idler	51	72140614	Bolt, Carriage 3/8-16 x 1-3/4
11	106522X	Brace, Idler, Deck	52	72140608	Bolt, Carriage 3/8-16 x 1
12	121236X	Spacer	53	72140612	Bolt, Carriage 3/8 16 x 1-1/2
13	19131316	Washer, 13/32 X 13/16 X 16 Ga.	54	74760620	Bolt, Hex 3/8-16 x 1-1/4
14	136818	Mandrel, Secondary	55	72140506	Bolt, Carriage 5/16- 18 x 3/4
15	106214X	Guard	56	19111116	Washer 11/32 x 11/16x 16 Ga.
16	106085X	V Belt	57	73680500	Nut, Crownlock 5/16-18
17	73220600	Nut, Hex 3/8-16	58	74760648	Bolt, Hex 3/8-16 x 3
18	10030600	Washer, Lock 3/8	59	74110632	Screw, Flat Head 3/8-16 x 2
19	102932X	Idler, Flat	61	19111216	Washer 11/32 x 3/4x 16 Ga.
20	106526X	Arm, Idler, Deck	62	74760580	Bolt, Hex 5/16-18 x 5
21	7644J	Spring, Extension	66	17490612	Screw, Hex Washer Thread Rolling 3/8 16 x 3/4
22	121704X	Mandrel, Primary	67	72140606	Bolt, Carriage 3/8 - 16 x 3/4
23	74760616	Bolt, Hex 3/8-16 x 1	68	102727X	Spring, Extension
24	106511X	Bracket Lift L.H.	69	73930600	Nut, Centerlock 3/8 -16
25	129762	Link Parallel	70	72110506	Bolt, Carriage 5/16-18 x 3/4
26	4921H	Retainer, Spring	72	1685H	Nut, Crownlock 5/16-18
27	105744X	Pin, Front Hinge	75	72140620	Bolt, Carriage 3/8-16 X 2 1/2
28	109835X	Pin, Rear Hinge	76	19131210	Washer 13/32 x 3/4 x 10 Ga.
29	106512X	Bracket Lift, R.H.	77	19131410	Washer, 13/32 X 7/8 X 10 Ga.
30	108119X	Guard Belt, R.H.	78	121352X	Keeper, L.H. Mandrel
31	10040600	Washer, Lock Hvy. Hel. Spring	79	72110505	Bolt, Carriage 5/16 - 18 X 5/8
32	136321	Runner, R. H .	—	121826X	Mower Deck, Complete
33	121423X	Housing, Mower			
34	105304X	Cap Sleeve			
35	106734X	Spring			
36	110452X	Nut, Push			
37	137607	Bracket, Deflector			
38	109785X	Guard, Discharge			

NOTE: All component dimensions given in U.S. inches.
1 inch = 25.4 mm

REPAIR PARTS

18 HP 44" TRACTOR - - MODEL NUMBER AYP8186A39

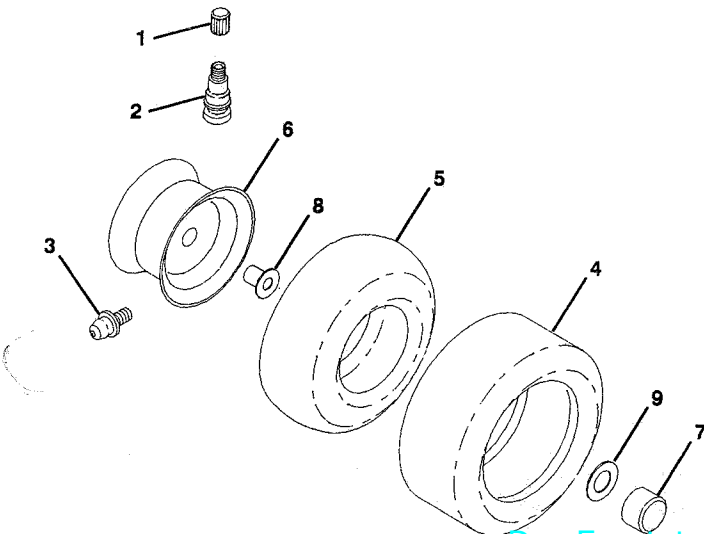
DECALS



KEY NO.	PART NO.	DESCRIPTION
1	136794	Decal Operating Instruction
2	133869	Decal Hood Lh
3	133868	Decal Hood Rh
4	134275	Decal Panel Side
6	133796	Decal Caution English
7	4900J	Decal Clutch/brake English
8	134217	Decal Chassis

KEY NO.	PART NO.	DESCRIPTION
11	133870	Decal Steering Wheel Insert
12	135426	Decal Engine HP
13	133780	Nameplate Hood Wizard
--	138311	Decal Handle Lift (Lift Handle)
--	138465	Manual Owners Ayp8186a39 Eng

WHEELS AND TIRES



KEY NO.	PART NO.	DESCRIPTION
1	59192	Cap Valve Tire (Front & Rear)
2	65139	Stem Valve (Front & Rear)
3	278H	Fitting Grease (Front Wheel Only)
4	106222X	Tire F Ts 15 X 6.0 - 6 Service
4	124106X	Tire R Ts
5	59904	Tube Front (Service Item Only)
5	7154J	Tube Rear (Service Item Only)
6	106732X311	Rim Asm 6" front White Service
6	124074X311	Rim Asm rear
7	104757X	Cap Axle Blk 1.50 X 1.00
8	9040H	Bearing Flange (Front Wheel Only)
9	121748X	Washer

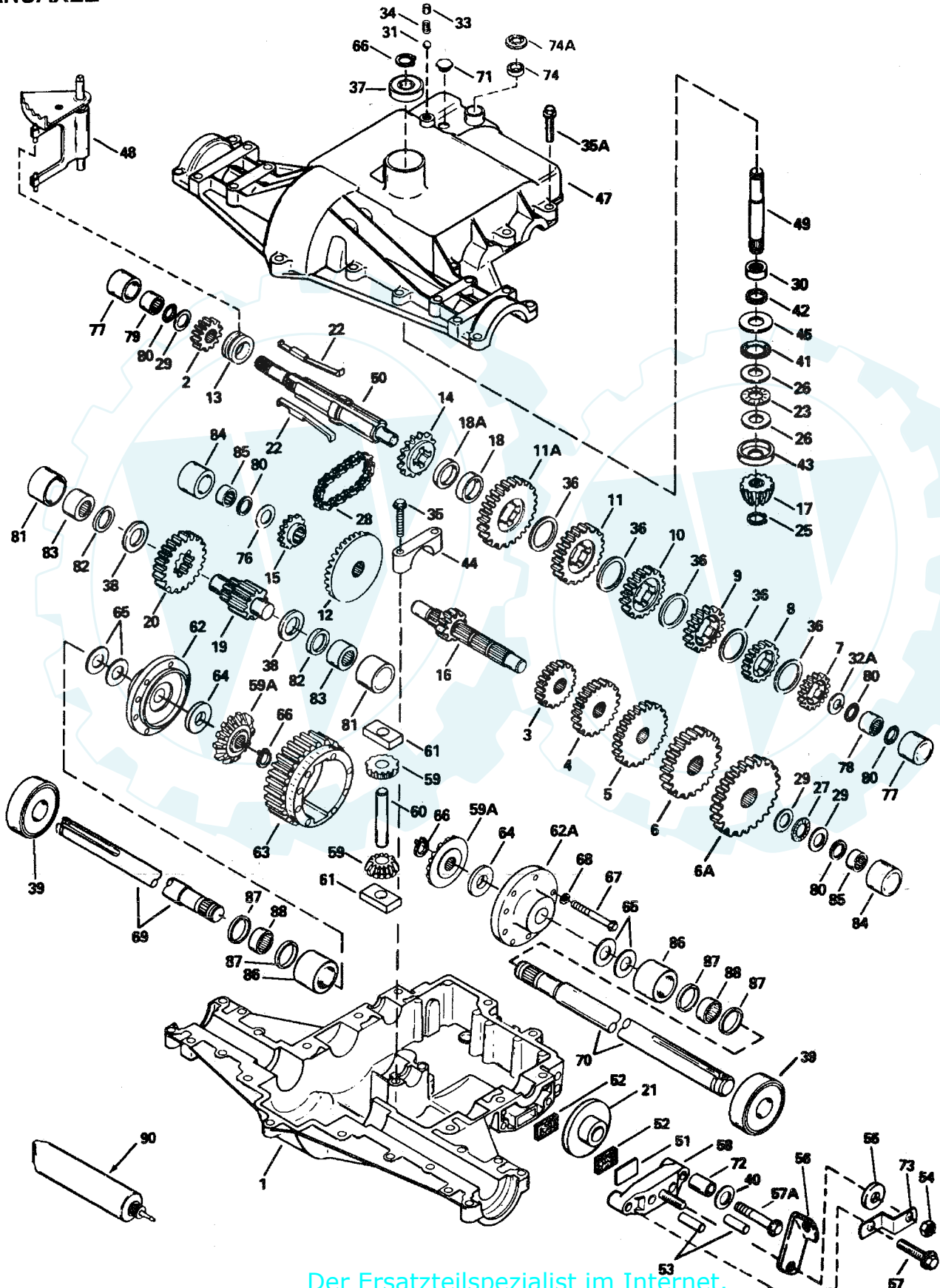
NOTE: All component dimensions given in U.S. inches.
1 inc=25.4 mm

REPAIR PARTS

18 HP 44" TRACTOR - - MODEL NUMBER AYP8186A39

PEERLESS TRANSAXLE - - MODEL NUMER 820-016A

TRANSAXLE



REPAIR PARTS

18 HP 44" TRACTOR - - MODEL NUMBER AYP8186A39 PEERLESS TRANSAXLE - - MODEL NUMER 820-016A

TRANSAXLE

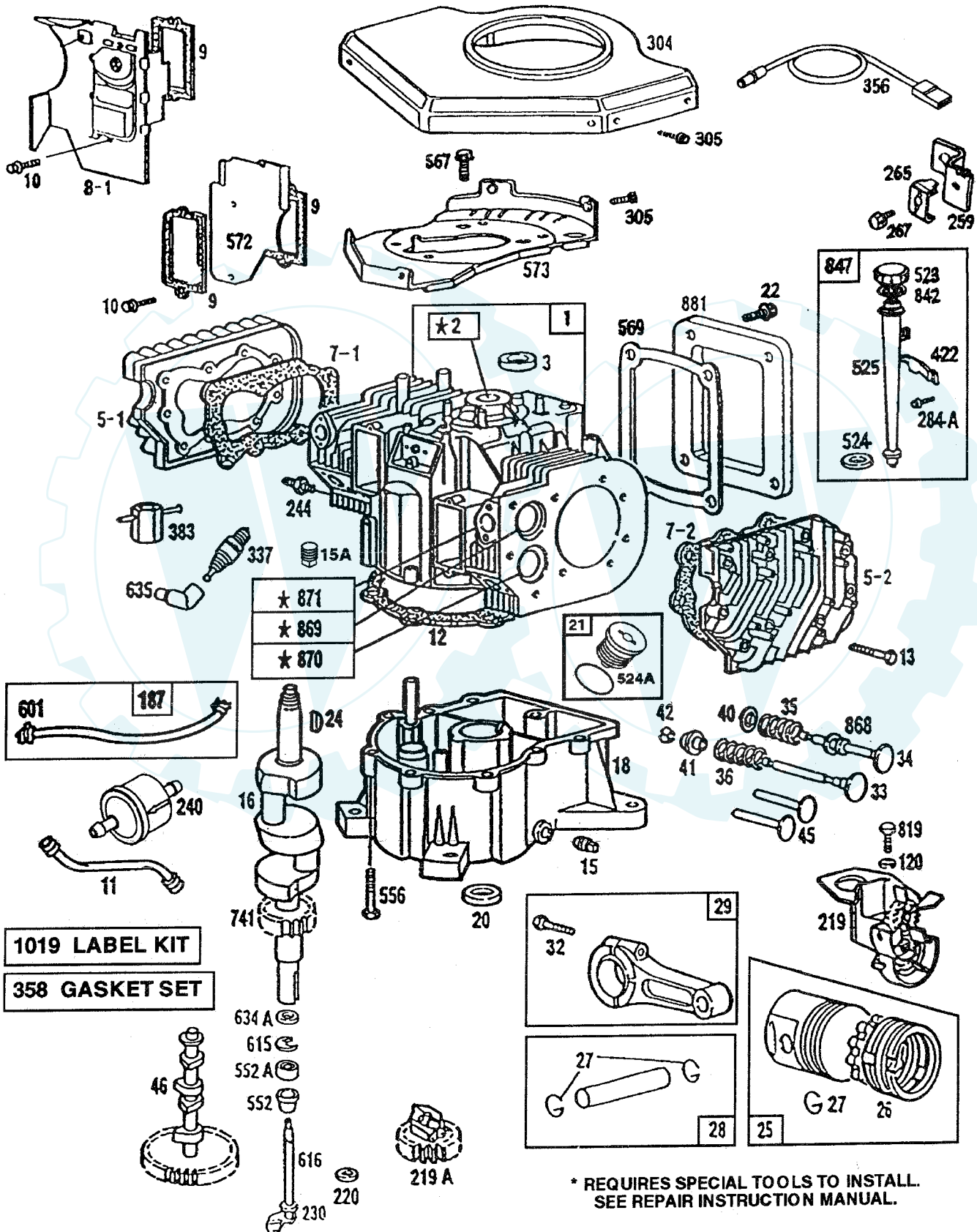
REF. PART NO. NO.	DESCRIPTION	REF. PART NO. NO.	DESCRIPTION
1 770088	Case, Transaxle	47 772098A	Cover, Transaxle
2 778253	Gear, Spur, 15 Teeth	48 784342	Rod and Fork Assembly, Shift
3 778211	Gear, Spur, 12 Teeth	49 776274	Shaft, Input
4 778240	Gear, Spur, 18 Teeth	50 776313	Shaft, Brake, 4 Keyed
5 778201	Gear, Spur, 25 Teeth	51 790007	Plate, Brake Pad
6 778202	Gear, Spur, 28 Teeth	52 790006	Pad, Brake
6A 778208	Gear, Spur, 31 Teeth	53 786026	Pin, Dowel
7 778273	Gear, Spur, 19 Teeth	54 792075	Locknut 5/16-24
8 778203A	Gear, Spur, 22 Teeth	55 792076	Washer, Flat
9 778204A	Gear, Spur, 25 Teeth	56 790047	Lever, Brake
10 778239A	Gear, Spur, 32 Teeth	57 792073	Screw, Flanged Hex Head, Thread Forming 1/4-20 x 1-1/4
11 778207A	Gear, Spur, 37 Teeth	57A 792085	Screw, Flanged Hex Head, Thread Forming 1/4-20 x 2-1/4
11A 778216A	Gear, Spur, 41 Teeth		
12 778246	Gear, Bevel, 33 Teeth	58 790025	Holder, Brake Pad
13 784216	Collar, Shift	59 778197	Pinion, Differential Bevel
14 786123	Sprocket, 18 Teeth	59A 778198	Gear, Bevel
15 786082	Sprocket, 9 Teeth	60 786019	Pin, Drive
16 776291	Shaft, Counter (With 9 Tooth Gear)	61 786027	Block, Drive
17 778245	Bevel Pinion, Input, 13 Teeth	62 774833	Carrier, Differential, Threaded Holes
18 786121	Spacer, Natural .350/.340 Thick	62A 774834	Carrier, Differential
18A 786122	Spacer, Natural .276/.268 Thick	63 778248	Gear, Ring, 31 Teeth
19 776275	Shaft, Output, 9 Teeth	64 780107	Washer
20 778247	Gear, Output, 35 Teeth	65 780042	Washer, Thrust
21 790043	Disk, Brake	66 792018	Ring, Snap
22 792138	Key	67 792020	Screw, Hex Head 1/4-20 x 2-1/4
23 780084	Bearing, Thrust	68 792006	Washer, Lock 1/4
25 788040	Ring, Retaining	69 774832	Axle, 12-5/16" long
26 780051	Washer, Thrust	70 774831	Axle, 16-3/16" long
27 780071	Bearing, Thrust	71 792074	Plug, Hex Head, Threaded 9/16-18
28 786081	Chain Roller (#41 Chain, 24 Links)	72 786067	Spacer
29 780072	Washer, Thrust	73 786086	Bracket, Brake Lever
30 780155	Bearing, Needle	76 780153	Washer
31 792077	Ball, Steel	77 786144	Sleeve, Stepped
32A 780139	Washer, Thrust	78 780150	Bearing, Needle
33 792078	Screw, Set 3/8-16 x 3/8	79 780152	Bearing, Needle, Capped
34 792079	Spring	80 792001	"O" Ring
35 792073	Screw, Flanged Hex Head, Thread Forming 1/4-20 x 1-1/4	81 786142	Sleeve, Sstepped
35A 792129	Screw, Hex Head, Thread Forming 5/16-18 x 1-1/4	82 788071	Ring, Square Cut
36 780108	Washer, Thrust	83 780168	Bearing, Needle, Capped
37 780119	Bearing, Ball	84 786143	Sleeve, Stepped
38 780128	Washer, Thrust	85 780151	Bearing, Needle, Capped
39 780050	Bearing, Ball	86 786145	Sleeve, Stepped
40 792128	Washer, Flat	87 788070	Ring, Square Cut
41 788077	"O" Ring	88 780031	Bearing, Needle
42 788042	Seal, Oil	90 788067B	Grease, Bentonite, 32 Ounce Bottle
43 780166	Washer, Cupped		
44 786131	Cap, Bearing		
45 780165	Washer, Flat		

NOTE: All component dimensions given in U.S. inches
1 inch = 25.4 mm

REPAIR PARTS

18 HP 44" TRACTOR - - MODEL NUMBER AYP8186A39

ENGINE BRIGGS & STRATTON - - MODEL NUMBER 422707, TYPE 1253-01

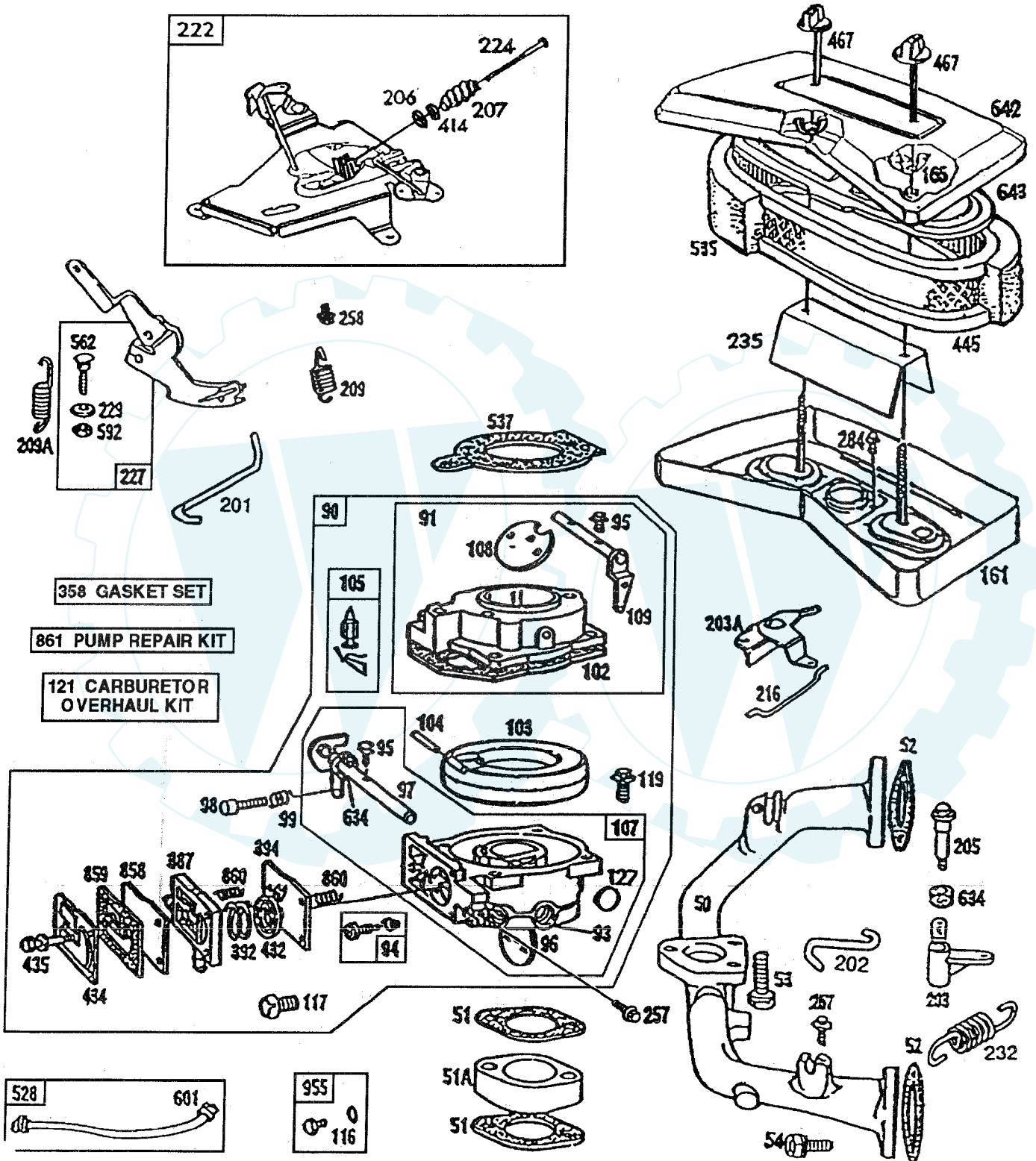


Der Ersatzteilspezialist im Internet.

REPAIR PARTS

18 HP 44" TRACTOR - - MODEL NUMBER AYP8186A39

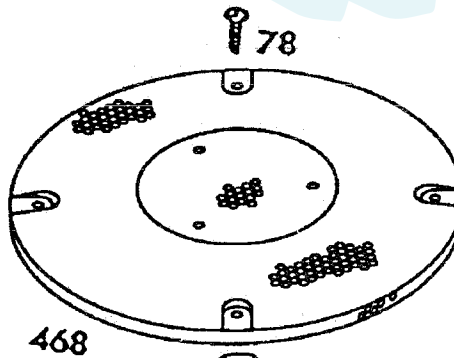
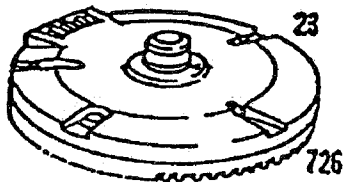
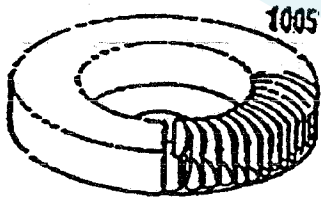
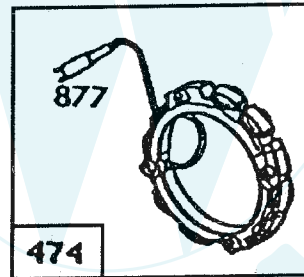
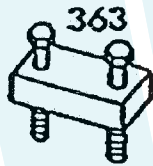
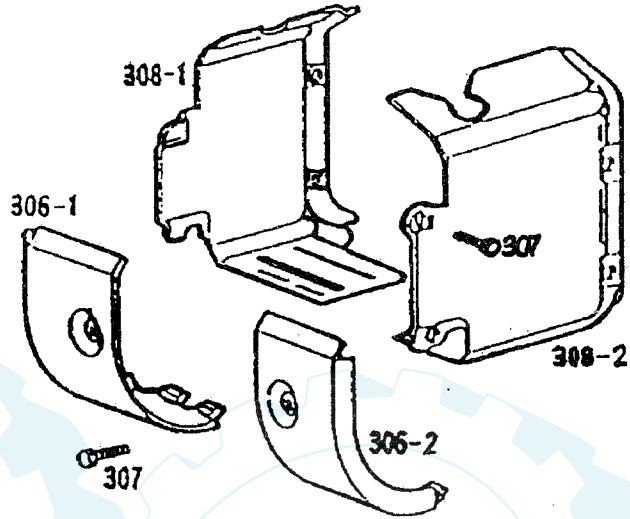
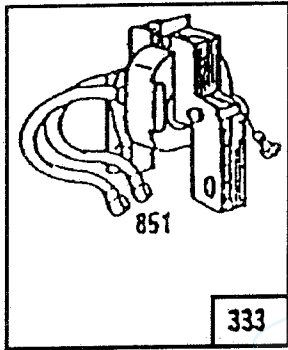
ENGINE BRIGGS & STRATTON - - MODEL NUMBER 422707, TYPE 1253-01



REPAIR PARTS

18 HP 44" TRACTOR - - MODEL NUMBER AYP8186A39

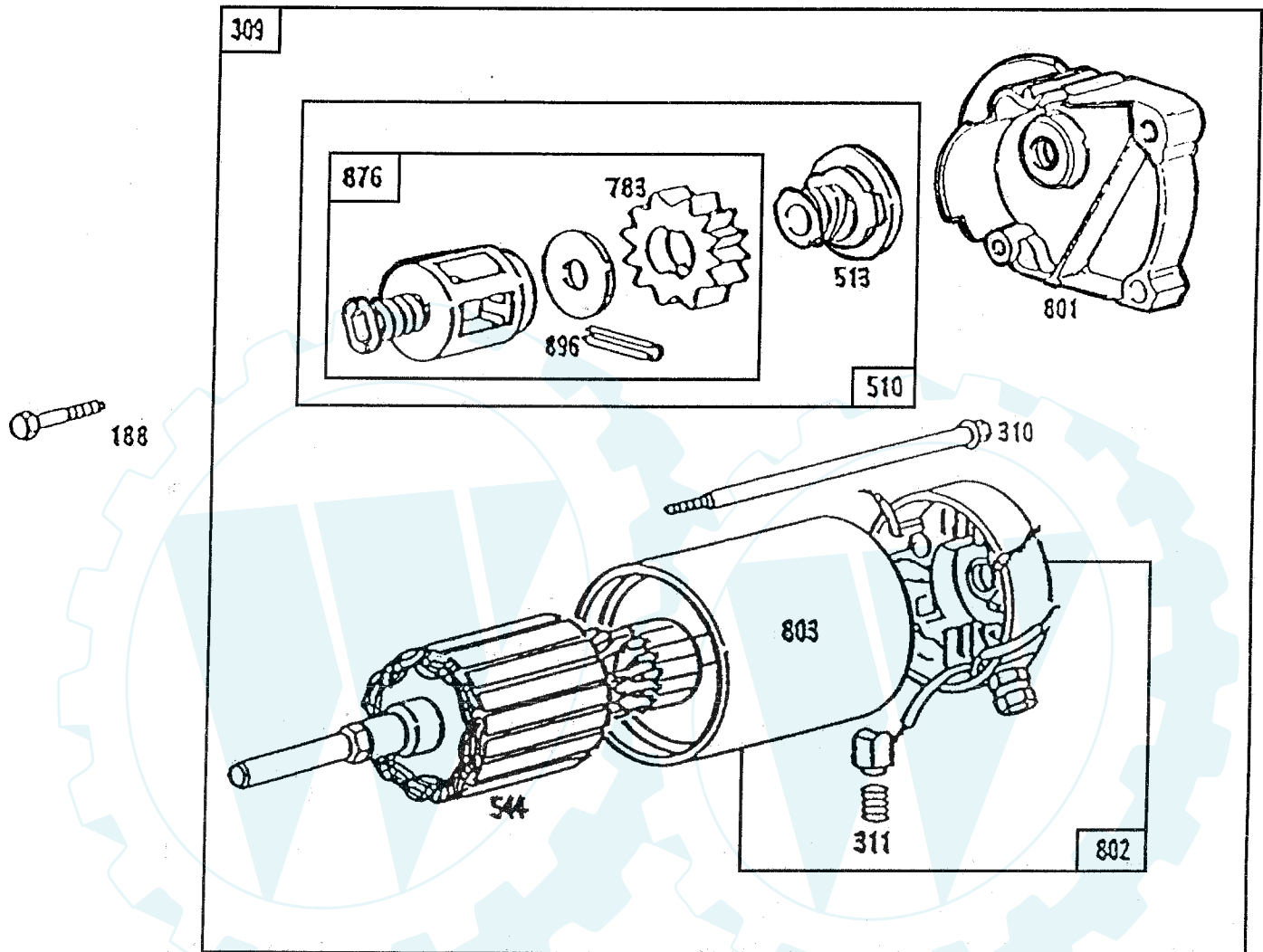
ENGINE BRIGGS & STRATTON - - MODEL NUMBER 422707, TYPE 1253-01



REPAIR PARTS

18 HP 44" TRACTOR - - MODEL NUMBER AYP8186A39

ENGINE BRIGGS & STRATTON - - MODEL NUMBER 422707, TYPE 1253-01



Reference Number		309	310	311	544	801	802	803
Manufacturer		Motor and Drive Ass'y.	Thru Bolt Assembly	Brush Assembly	Armature Assembly	Drive End Cap Assembly	End Cap Ass'y. Commutator	Housing Assembly
Briggs & Stratton	Housing Length							
12V	3-5/8"	394808	94003	395538	390837	394860	395537*	398159

*Includes Brush Set

Reference Number	510	513	783	876	896
Starter Motor Mfr.	Starter Drive Group	Clutch Assembly	Gear	Pinion Spring Kit	Roll Pin
Briggs & Stratton					
12V	490421	398003	280104	490467	94288(Copper)

REPAIR PARTS

18 HP 44" TRACTOR - - MODEL NUMBER AYP8186A39

ENGINE BRIGGS & STRATTON - - MODEL NUMBER 422707, TYPE 1253-01

KEY PART NO.	NO.	DESCRIPTION	KEY PART NO.	NO.	DESCRIPTION
1	494533	Cylinder Assembly	46	213520	Gear, Cam
2	399265	Bearing, Cylinder	50	213290	Manifold, Intake
3	391086	Seal, Oil	51	271412	*** Gasket, Carburetor & Intake Elbow
5-1	493457	Head, Cylinder Number 1	51A	280319	Spacer, Carburetor
5-2	493458	Head, Cylinder Number 2	52	270884	* Gasket, Intake Manifold Mounting
7-1	271867	* Gasket, Cylinder Head Number 1	53	93970	Screw, Sems, Carburetor Mounting
7-2	271868	* Gasket, Cylinder Head Number 2	54	93208	Screw, Sems, Intake Manifold Mnt.
8-1	398065	Breather Assembly Number 1	75	222511	Washer, Spring
8-2	222892	Cover, Breather, Cylinder Number 2 (Use with Key Number 572, Air Baffle with Mounting Holes)	78	94326	Screw, Sems
9	27803	* Gasket, Valve Cover	81	223016	Lock, Muffler Screw
10	94382	Screw, Sems	90	495181	Carburetor Assembly
11	280225	Tube, Breather	91	495035	Body Assembly, Upper Carburetor
12	271703	* Gasket, Crankcase Cover 1/64"	93	231209	Bushing, Throttle Shaft
	271188	* Gasket, Crankcase Cover .005"	94	491538	** Valve Assembly, Carburetor Idle
	271189	* Gasket, Crankcase Cover .009"	95	93499	Screw, Sems, Throttle and Choke Valve Mounting
13	94565	Screw, Cylinder Head	96	221939	Valve, Throttle
15	94239	Plug, Oil Drain	97	392672	Shaft and Lever, Throttle
15A	94497	Plug, Pipe	98	91920	Screw, Machine, Fillister Head
16	394028	Crankshaft	99	26157	Spring, Throttle Adjustment
	94196	Key, Timing Gear	102	271607	** Gasket, Carburetor Body
18	493304	Base Assembly, Crankcase	103	298514	Float, Carburetor
20	291675	Seal, Oil	104	230896	** Pin, Float Hinge
21	399195	Seal Assembly, Cylinder Plug	105	394683	** Valve, Fuel Inlet
22	94724	Screw, Sems, Crankcase Cover Mounting	107	491543	Body, Lower Carburetor
23	491180	Flywheel and Ring Gear Assembly, Magneto	108	223534	Valve, Choke
24	222698	Key, Flywheel	109	392673	Shaft and Lever, Choke
25	394955	Piston Assembly, Standard Size	116	280474	* O-Ring
	394956	Piston Assembly .010" Oversize	117	231338	Jet, Needle Valve
	394957	Piston Assembly .020" Oversize	119	94152	Screw, Sems, Hex Head
	394958	Piston Assembly .030" Oversize	120	92290	Washer, Lock
26	394959	Ring Set, Piston, Standard Size	121	491539	Carburetor Overhaul Kit
	394960	Ring Set, Piston .010" Oversize	127	223472	Plug, Welch
	394961	Ring Set, Piston .020" Oversize	161	398826	Body, Air Cleaner
	394962	Ring Set, Piston .030" Oversize	165	94289	Nut, Wing
27	260924	Lock, Piston Pin	187	299146	Line, Fuel, 28" (Cut to Suit)
28	299691	Pin Assembly, Piston, Standard	188	93535	Screw, Hex Head
	391286	Pin Assy., Piston .005" Oversize	201	262683	Link, Governor
29	394306	Rod Assembly, Connecting	202	262684	Link, Throttle
	397158	Rod Assembly, Connecting, .020" Undersize Crankpin Bore	203	280997	Crank, Bell
32	94671	Screw, Connecting Rod	203A	490207	Crank, Bell
33	390420	Valve, Exhaust	205	93971	Screw, Shoulder
34	261528	Valve, Intake Uses: 393606 Seal Assembly and Retainer (Key Number 868)	206	94298	Nut, Square
35	65906	Spring, Intake Valve	207	262337	Spring, Compression
36	26828	Spring, Exhaust Valve	209	262351	Spring, Governor
40	221596	Retainer, Intake Valve	209A	261563	Spring, Governor Idle
41	292260	Rotocoil, Exhaust Valve	216	262375	Link
42	93630	Retainer, Exhaust Valve Rotocoil(2)			
45	261368	Tappet, Valve			

* Included in Gasket Set (495868)
 ** Included in Carburetor Overhaul Kit (491539)
 *** Included in both Gasket Set (495868), and
 Carburetor Overhaul Kit (491539)

NOTE: All component dimensions given in U.S. inches
 1 inch = 25.4 mm

REPAIR PARTS

18 HP 44" TRACTOR - - MODEL NUMBER AYP8186A39

ENGINE BRIGGS & STRATTON - - MODEL NUMBER 422707, TYPE 1253-01

KEY PART NO. NO.	DESCRIPTION	KEY PART NO. NO.	DESCRIPTION
219 393415	Oil Slinger Assembly	528 393815	Impulse Line and Clamp Assembly
219A 394348	Gear, Governor	535 271271	Element, Air Cleaner
220 222773	Washer, Thrust	537 271411	*** Gasket, Air Cleaner
222 491282	Plate Assembly, Governor Control	552 262332	Lower Bushing, Governor
224 94297	Screw, Pan Head	552A 262331	Upper Bushing, Governor
227 491297	Lever Assembly, Governor	556 93585	Screw, Sems, Hex Head
229 62199	Washer	562 93853	Bolt, Governor Lever
230 223882	Washer, Governor Crank, Inside	567 93777	Screw, Hex Head, Back Plate to Cylinder
232 262539	Spring, Governor Control	569 272645	* Gasket, Crankcase
235 224039	Shield, Spitback	572 224580	Baffle, Air, Cylinder Number 2
240 493629	Filter, Fuel (In Fuel Line to Tank)	573 491304	Back Plate Assembly
244 230318	Connector, Impulse Pump	592 92278	Nut, Hex
257 93897	Screw, Sems	601 93053	Clamp, Fuel Line
258 93949	Screw, Sems	615 94296	Retainer, E-Ring
259 223890	Bracket, Cable	616 491530	Crank, Governor
265 221535	Clamp, Casing	634 271013	** Washer, Throtte Shaft
267 93496	Screw, Hex Head	634A 491287	Seal, Governor Shaft
284 94264	Screw, Hex Head	635 66538	Elbow, Spark Plug
284A 93469	Screw, Hex Head	642 223579	Cover, Air Cleaner
304 492656	Housing, Blower	643 223714	Cartridge Plate, Air Cleaner
305 94608	Screw, Sems 1/2	726 391362	Gear, Flywheel Ring (Includes Mounting Parts)
305 94513	Screw, Sems 3/4	741 262694	Gear, Timing
306-1 222846	Shield, Cylinder	819 94675	Screw, Hex Head
306-2 223734	Shield, Cylinder	842 271170	Seal, Oil Filler Cap
307 94386	Screw, Sems	847 394394	Dipstick and Tube Assembly
308-1 222848	Cover, Air Guide	851 221798	Terminal, Ignition Cable
308-2 222849	Cover, Air Guide	858 270989	**** Diaphragm, Damping
309 - - -	Motor, Starting (See Chart on Illustrated Pages for Part Numbers)	859 271025	**** Gasket, Carburetor Pump
319 394988	Armature Assembly	860 261358	**** Spring (2)
332 230674	Nut, Hex	861 393397	Repair Kit, Pump
333 394891	Armature Group, MAGNETRON® Ignition	868 393606	Seal Assembly and Retainer
334 93381	Screw, Sems, Armature Mounting	869 261463	Seat, Intake Valve, Standard
337 802592	Plug, Spark, Resistor (with Gasket)	870 213316	Seat, Exhaust Valve, Standard
356 494705	Wire, Ground	871 261961	Guide, Exhaust Valve
358 495868	Gasket Set	231218	Guide, Intake Valve (See Manual)
363 19203	Puller, Flywheel (Optional Accy.)	877 393537	Connector Assembly, Tri-Circuit
383 89838	Wrench, Spark Plug	881 212455	Cover Plate, Crankcase
387 280197	Body, Pump	955 397882	Plug and Seal, Solenoid
392 261395	**** Spring, Pump	1005 280815	Fan, Flywheel
394 270988	**** Diaphragm	1006 224413	Retainer, Fan
414 223882	Washer	1019 491262	Decal Kit
422 222875	Clamp, Oil Filler		
432 221377	**** Cap, Spring		
434 223688	Cover, Diaphragm		
435 93829	Screw, Diaphragm Cover		
445 394019	Cartridge, Air Cleaner		
467 493903	Knob, Air Cleaner		
468 224521	Screen, Flush Rotating		
474 392595	Stator, Alternator, Tri-Circuit		
482 93621	Screw, Sems		
523 494927	Cap and Dipstick, Oil Filler		
271157	Seal, Filler Tube		
4A 271485	Seal, Tube		
525 495348	Tube, Oil Filler		

RPM Settings: Low: 1200 - 1600
High: 3500 - 3700

- * Included in Gasket Set (495868)
- ** Included in Carburetor Overhaul Kit (491539)
- *** Included in both Gasket Set (495868), and Carburetor Overhaul Kit (491539)
- **** Included in both Carburetor Overhaul Kit (491539), and Pump Repair Kit (393397)

NOTE: All component dimensions given in U.S. inches
1 inch = 25.4 mm