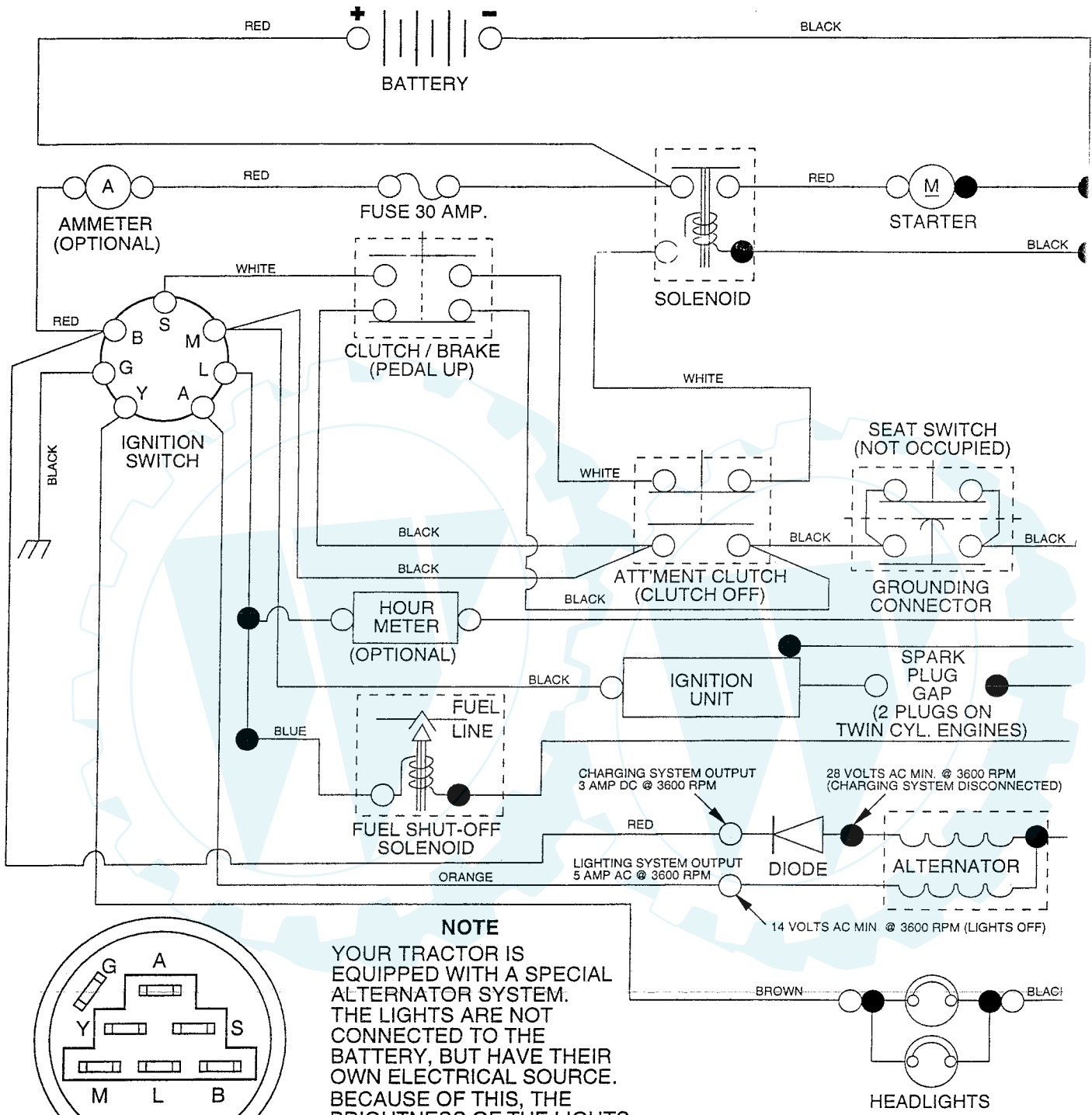


TRACTOR - - MODEL NUMBER AYP7178A99

**SCHEMATIC**

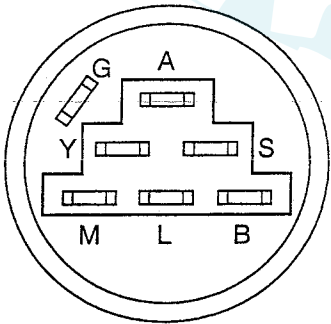


**NOTE**

YOUR TRACTOR IS EQUIPPED WITH A SPECIAL ALTERNATOR SYSTEM. THE LIGHTS ARE NOT CONNECTED TO THE BATTERY, BUT HAVE THEIR OWN ELECTRICAL SOURCE. BECAUSE OF THIS, THE BRIGHTNESS OF THE LIGHTS WILL CHANGE WITH ENGINE SPEED. AT IDLE THE LIGHTS WILL DIM. AS THE ENGINE IS SPEEDED UP, THE LIGHTS WILL BECOME THEIR BRIGHTEST.

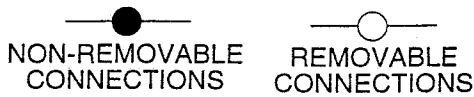
**WIRING INSULATED CLIPS**

**NOTE:** IF WIRING INSULATED CLIPS WERE REMOVED FOR SERVICING OF UNIT, THEY SHOULD BE REPLACED TO PROPERLY SECURE YOUR WIRING.

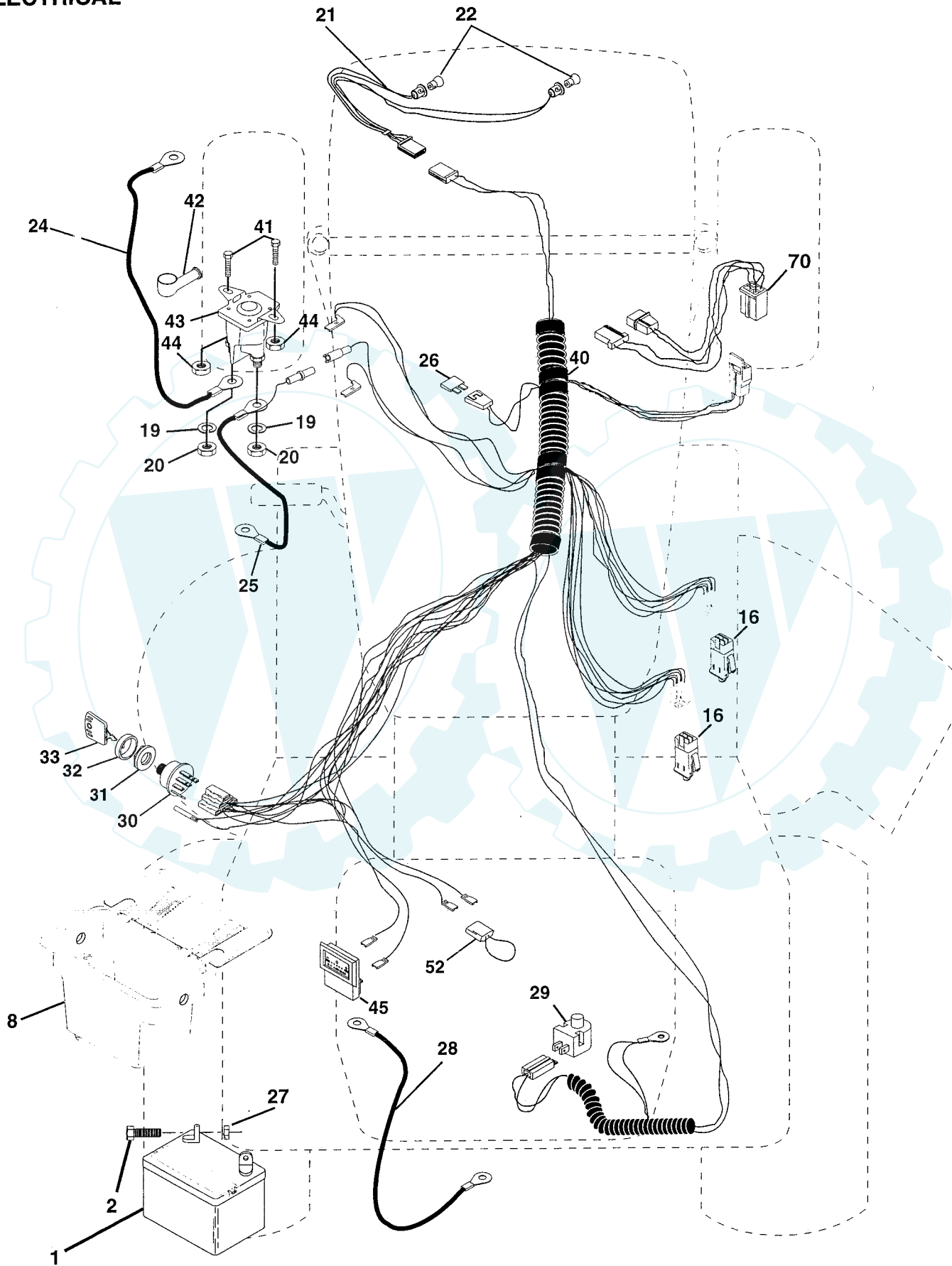


**IGNITION SWITCH**

POSITION	CIRCUIT	"MAKE"
OFF	G + M + L	NONE
RUN/LIGHT	B + L	A + Y
RUN	B + L	NONE
START	B + L + S	NONE



### ELECTRICAL

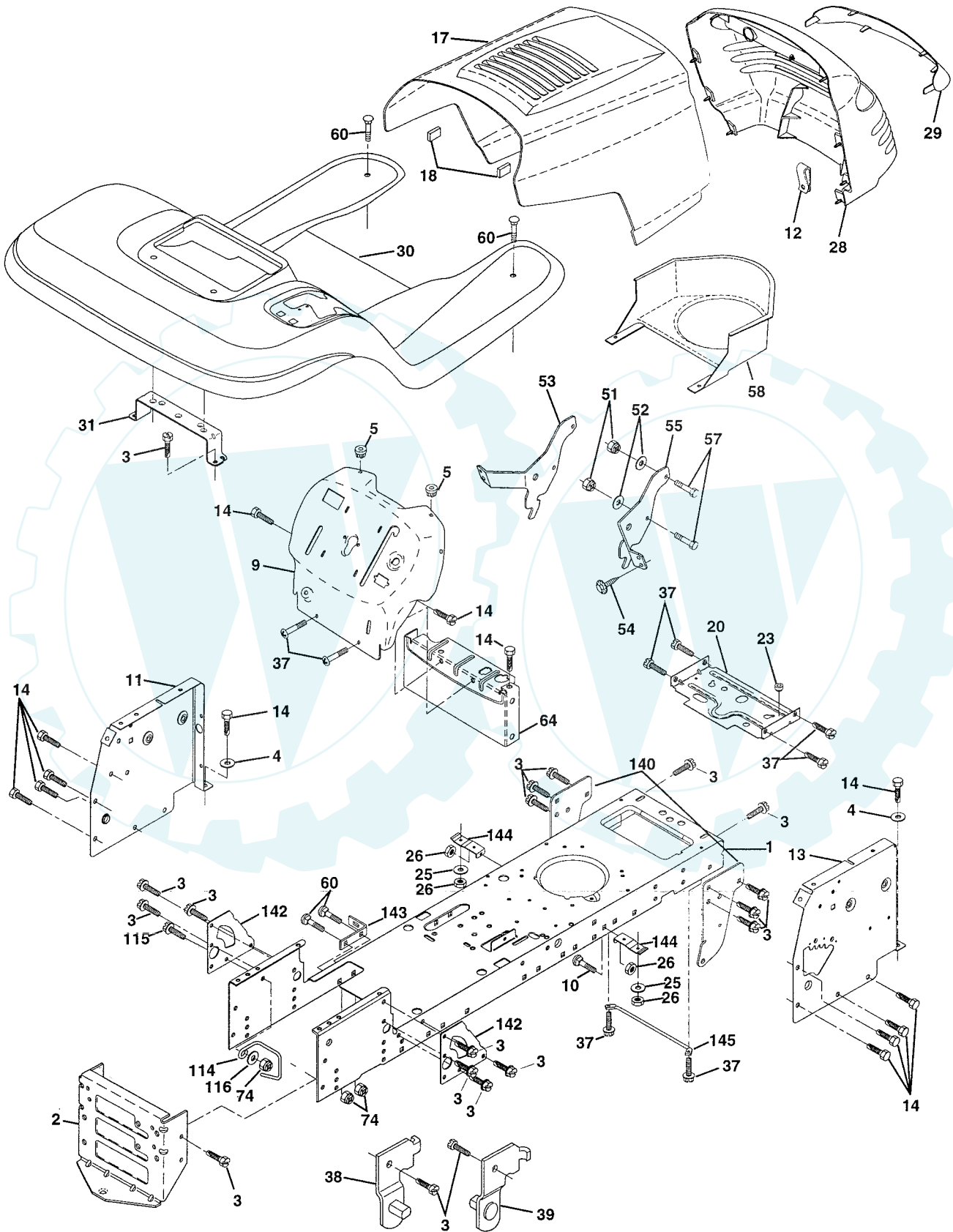


### ELECTRICAL

KEY PART NO.	NO.	DESCRIPTION
1	144925	Battery 12 Volt 25 Amp w/acid
2	74760412	Bolt Hex Hd 1/4-20unc X 3/4
8	156417	Case Battery Mech Hinge
16	153664	Switch Interlock Push-In
19	10090400	Washer Lock 1/4
20	73350400	Nut Jam Hex 1/4-20 Unc
21	136850	Harness Socket Light w/4152J
22	4152J	Bulb, Light # 1156
24	4799J	Cable Battery 6ga 11" Red
25	146147	Cable Battery 6 Ga Red w/16 wire
26	166180	Fuse 15 Amp Auto Green
27	73510400	Nut Keps Hex 1/4-20 Unc
28	4207J	Cable Ground 6ga 12"black
29	121305X	Switch Plunger Nc Gray
30	140301	Switch Ign 4 Pos W/L P/L
31	124211X	Nut Ignition
32	141226	Cover Sw Key
33	122147X	Key Ign Molded Generic
40	166145	Harness Ign
41	71110408	Bolt Fin Hex 1/4-20uncx 1/2
42	131563	Cover Terminal Red
43	145673	Solenoid
44	73640400	Nut Keps Blk 1/4-20 Unc
45	121433X	Ammeter Rectangular 6 Amp
52	141940	Protection Loop
70	166668	Harness Eng B&S

**NOTE:** All component dimensions given in U.S. inches  
1 inch = 25.4 mm

CHASSIS AND ENCLOSURES



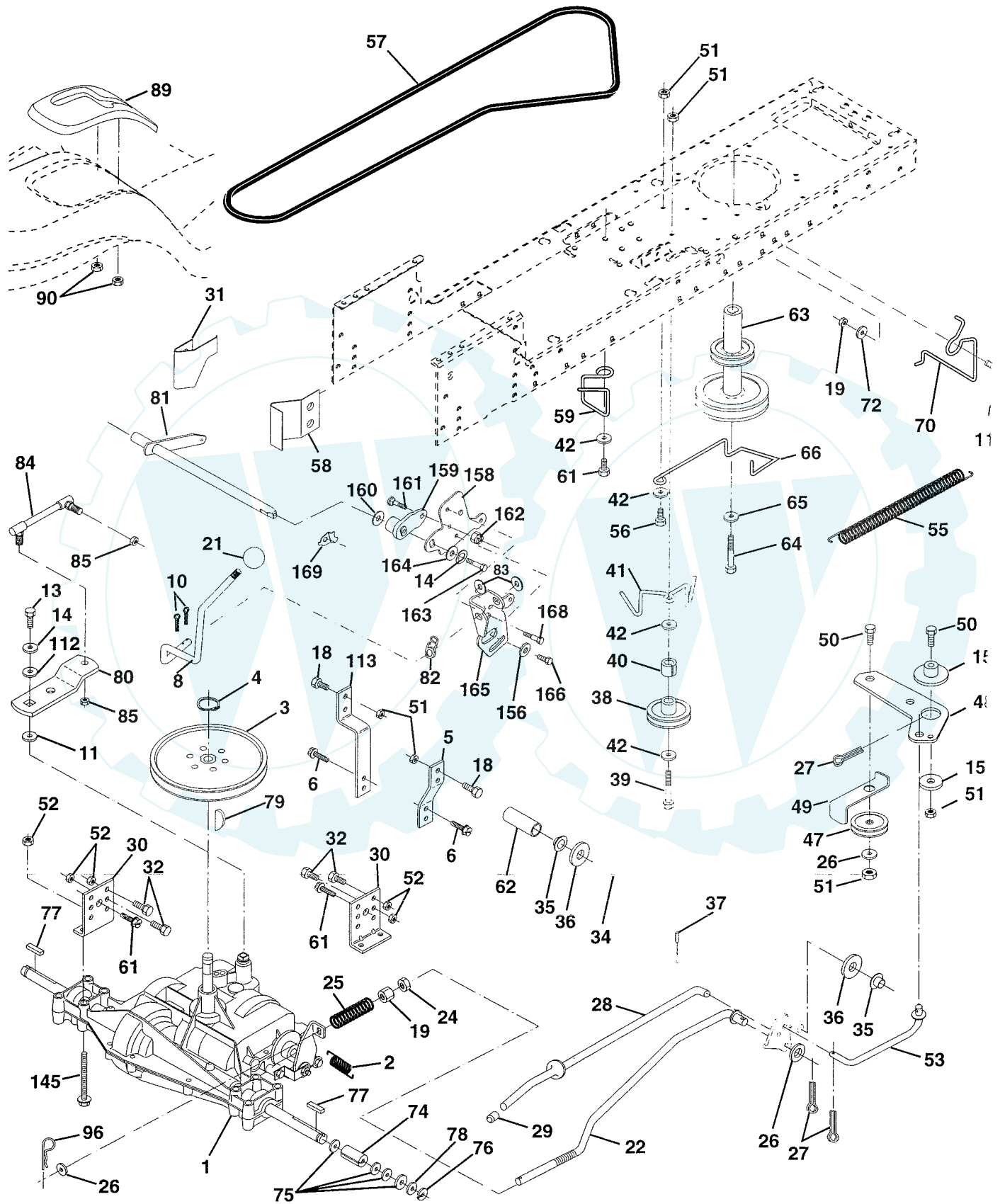
## TRACTOR - - MODEL NUMBER AYP7178A99

### CHASSIS AND ENCLOSURES

KEY NO.	PART NO.	DESCRIPTION
1	165583	Chassis Assembly
2	140356	Drawbar
3	17490612	Screw Thdrol. 3/8-16 x 3/4 Ty-Tt
4	19131216	Washer 13/32 x 3/4 x 16 Ga.
5	155272	Bumper Hood/Dash
9	161917X012	Dash
10	72140608	Bolt Carriage 3/8-16 x 3/4
11	155927	Panel Asm. Dash Lh Private label
12	145660	Clip Tinnerman Grille P/L
13	155936	Panel Dash Rh Lt Private label
14	17490608	Screw Thdrol. 3/8-16 x 1/2 Ty-Tt
17	159639X418	Hood Pnt Steel Private Label
18	126938X	Bumper Hood
20	156437	Plate Mtg Battery/Fuel Tank
23	124028X	Bushing Snap Nyl. Blk Fuel Line
25	19131312	Washer 13/32 x 13/16 x 12 Ga.
26	73800600	Nut Lock Hex w/Insert 3/8-16 UNC
28	157428	Grill Private Lable Euro
29	146654X599	Lens Grille Private label Euro
30	151287X418	Fender/Footrest
31	139976	Bracket Fender Support
37	17490508	Screw Thdrol. 5/16-18 x 1/2 Tyt
38	139886	Bracket Asm. Pvt. Lh Mwr. Rear
39	139887	Bracket Asm. Pvt. Rh Mwr. Rear
51	73800400	Nut Lock Hex W/Ins. 1/4-20
52	19091416	Washer 9/32 x 7/8 x 16 Ga.
53	144697	Lh Grille Bracket
54	161464	Screw Hex 8-18 x 7/8
55	144696	Bracket, Grill Rh
57	74780412	Bolt Fin Hex 1/4-20 x .75
58	150127	Air Duct Private Label
60	72140606	Bolt, Rdhd Sqnk 3/8-16 UNC x 3/4
64	154798	Dash Lower STLT
74	73680600	Nut Crownlock 3/8-16 unc
114	158112	Keeper Belt Rear Lh Stl
115	17490620	Screw Thdrol 3/8-16 x 1 1/4
116	19131614	Washer 13/32 x 1 x 14 Ga.
140	158418	Bracket Suspension Front
142	165867	Plate Reinforcement STLT
143	154966	Bracket Swaybar Chassis
144	154207	Bracket Pnt Footrest STLT
145	156524	Rod Pivot Chassis/Hood
--	5479J	Plug Button Blk

**NOTE:** All component dimensions given in U.S. inches  
1 inch = 25.4 mm

DRIVE



## TRACTOR - - MODEL NUMBER AYP7178A99

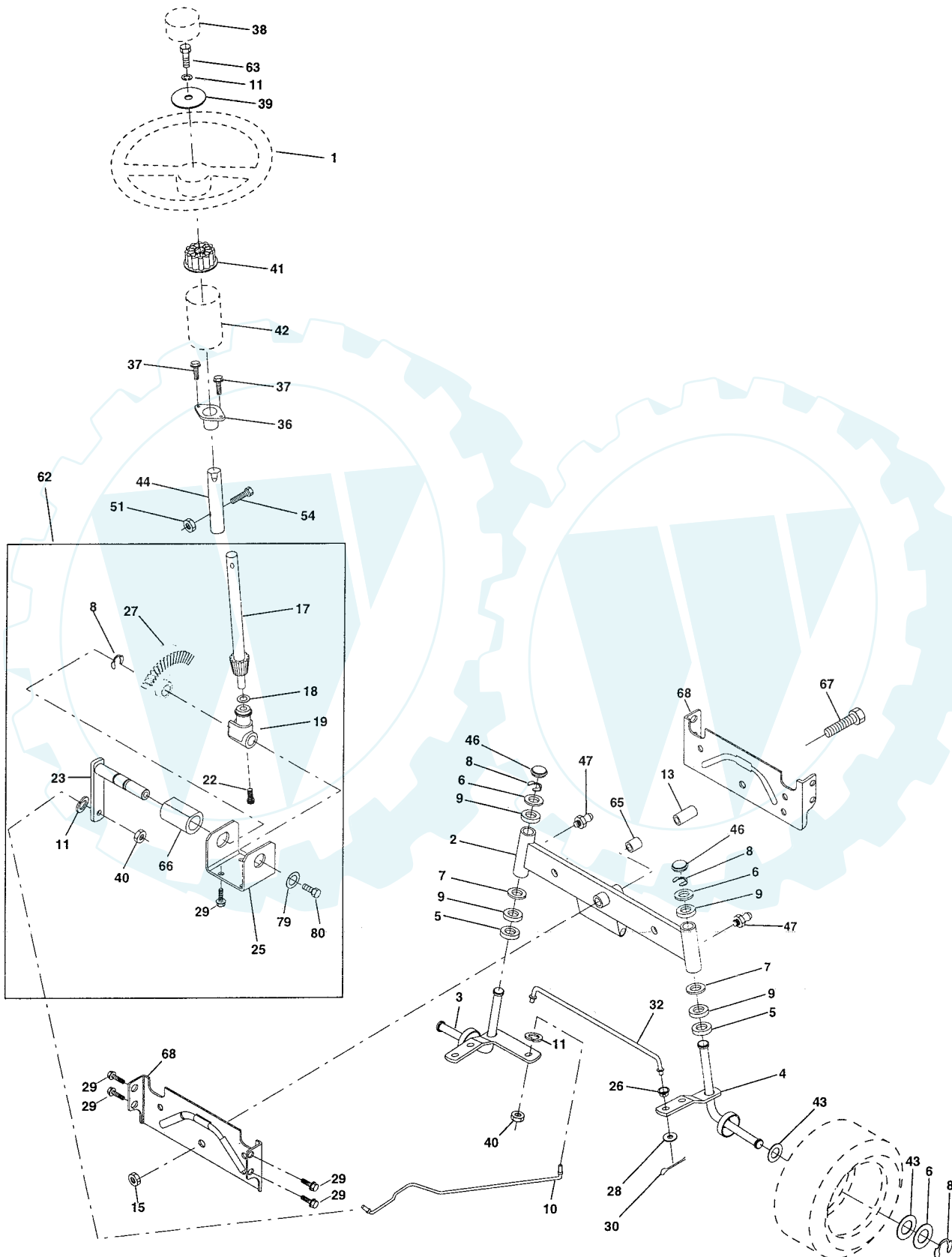
### DRIVE

KEY NO.	PART NO.	DESCRIPTION	KEY NO.	PART NO.	DESCRIPTION
1	-----	Transaxle (See Breakdown)	59	140312	Keeper, Belt, Center Span
2	146682	Spring, Return, Brake	61	17490612	Screw, Thd., Roll. 3/8-16 x 3/4
3	123666X	Pulley, Transaxle	62	8883R	Cover, Pedal
4	12000028	Ring, Retainer	63	140186	Pulley, Engine
5	121520X	Strap, Torque	64	71170764	Bolt, Hex Head, Fin. 7/16-20 x 4 Grade 5
6	17490512	Screw, Thd., Roll. 5/16-18 x 3/4	65	10040700	Washer
8	165866	Rod Shifter Fender STLT	66	154778	Keeper, Belt, Engine, Fool-Proof
10	76020416	Pin, Cotter	70	134683	Guide, Mower Drive Belt, R.H.
11	105701X	Washer, Shift Plate	72	19132012	Washer 13/32 x 1-1/4 x 12 Gau
13	74550412	Bolt 1/4-28 UNF W/Patch Grade 8	74	137057	Spacer, Axle
14	10040400	Washer Lock Hvy Helical	75	121749X	Washer 25/32 x 1-1/4 x 16 Gau
18	74780616	Bolt Fin Hex 3/8-16 UNC x 1. Gr 5	76	12000001	E-Ring
19	73800600	Nut	77	123583X	Key, Square 2.0 x .1845/.1865
21	106933X	Knob	78	121748X	Washer 25/32 x 1-5/8 x 16 Gau
22	130804	Rod, Brake	79	2228M	Key Woodruff #9 3/16 x 3/4
24	73350600	Nut	80	145090	Arm, Shift
25	106888X	Spring, Brake Rod	81	165592	Shift asm Cross Tapered Pmst
26	19131316	Washer	82	165711	Spring, Torsion
27	76020412	Pin	83	19171216	Washer 17/32 x 3/4 x 16 Gauge
28	145204	Rod, Parking Brake	84	166231	Link Transaxle Pmst/Dana 20"
29	124236X	Cap, Parking Brake, Red	85	150360	Nut, Nylock
30	130807	Bracket, Transaxle	89	158391X428	Console, Shift, STLT
31	127275X	Keeper, Belt, L.H.	90	124346X	Nut, Self-Threading, Washer H
32	74760512	Bolt	96	4497H	Retainer Spring 1"
34	155071	Shaft Assembly, Foot Pedal	112	19091210	Washer 9/32 x 3/4 x 10 Gauge
35	120183X	Bearing, Nylon	113	127285X	Strap Torque 90 Degrees
36	19211616	Washer	116	72110610	Bolt Rdhd Sqneck 3/8-16 x 1.25
37	1572H	Roll Pin	145	74490540	Bolt Hex Flg Hd. 5/16-18 x Gr 5
38	131494	Pulley, Idler, Flat	150	165850	Bushing Bellcrank Grd. D.
39	74760644	Bolt	151	19133210	Washer 13/32 x 2 x 10 Ga.
40	4470J	Spacer, Split .395 x .59	156	166002	Washer Srted 5/16 ID x 1.125
41	165838	Keeper, Belt, Idler Flat	158	165589	Bracket Shift Mount
42	19131312	Washer 13/32 x 13/16 x 12 Gauge	159	165494	Hub Tapered FlangeShift Lt
47	127783	Pulley, Idler, V-Groove, Plastic	160	19292016	Washer 29/32 x 1-1/4 x Ga
48	154407	Bellcrank Clutch Grnd Drv Stl	161	72140406	Bolt Rdhd Sqnk 1/4-20 x 3/4 Gr
49	123205X	Retainer, Belt	162	73680400	Nut Crownlock 1/4-20 Unc
50	74760624	Bolt	163	74780416	Bolt Hex Fin 1/4-20 Unc x 1 Gr
51	73680600	Nut Crown Lock 3/8-16 UNC	164	19091010	Washer 5/8 x .281 x 10 Ga
52	73680500	Nut Crown Lock 5/16-18 UNC	165	165623	Bracket Pivot Lever
53	105710X	Link, Clutch	166	166880	Screw 5/16-18 x 5/8
55	105709X	Spring, Clutch Return	168	165492	Bolt Shoulder 5/16-18 x .561
56	74760620	Bolt Fin Hex 3/8-16 x 1-1/4	169	165580	Plate Fastening Cross Shf. Stlt.
57	130801	V-Belt, Ground Drive			
58	127274X	Keeper, Belt, R.H.			

**NOTE:** All component dimensions given in U.S. inc.  
1 inch = 25.4 mm

## TRACTOR - - MODEL NUMBER AYP7178A99

### STEERING ASSEMBLY





## TRACTOR - - MODEL NUMBER AYP7178A99

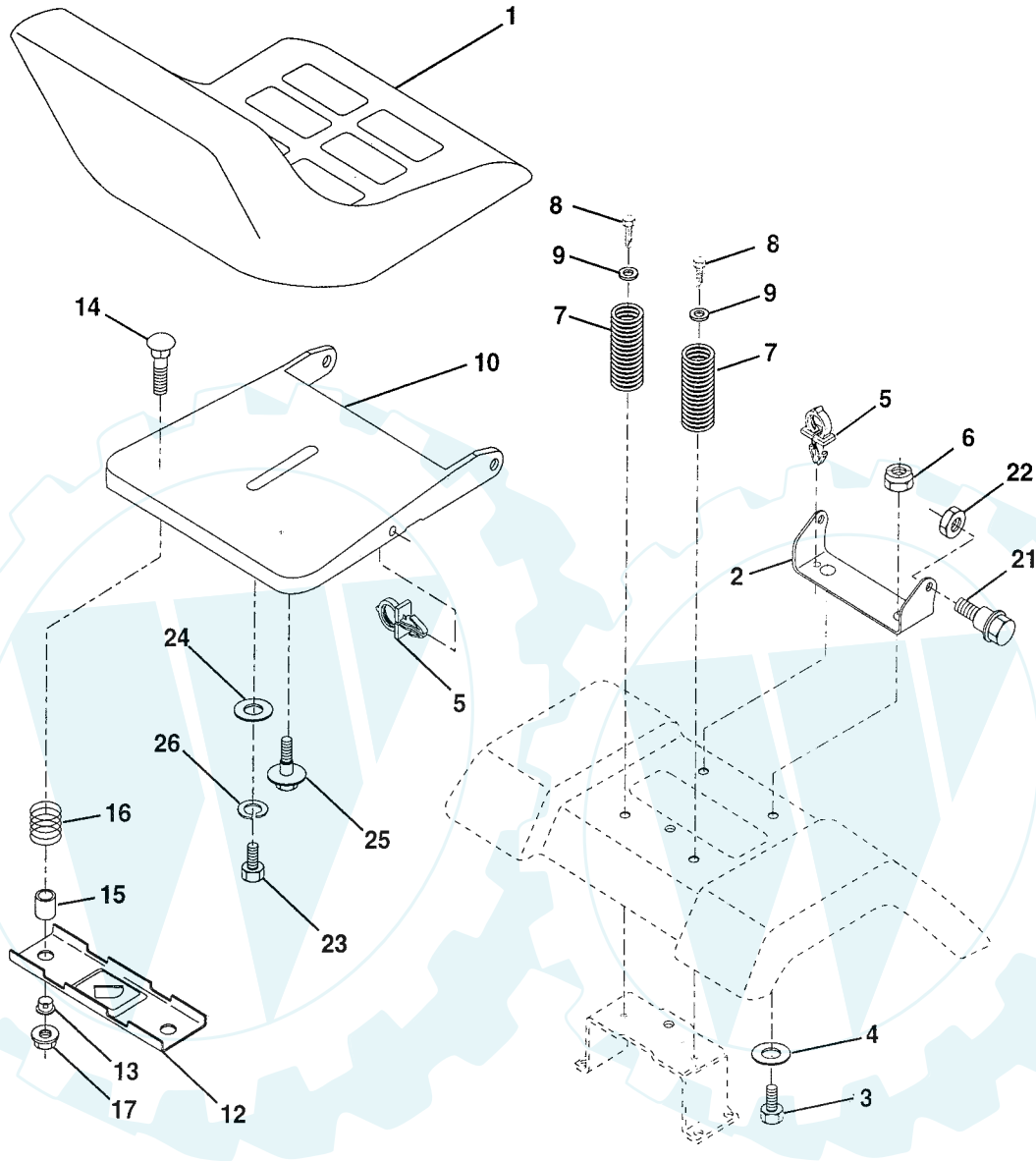
### STEERING ASSEMBLY

KEY NO.	PART NO.	DESCRIPTION
1	140044	Wheel Steering Ayp/kelch Blk
2	154427	Axle Asm Stmp Dropped Stl
3	156483	Spindle Asm LH
4	157473	Spindle Asm RH
5	6266H	Bearing Race Thrust Harden
6	121748X	Washer 25/32 X 1-5/8 X 16 Ga
7	19272016	Washer 27/32 X 1-1/4 X 16 Ga
8	12000029	Ring Klip #t5304-75
9	3366R	Bearing Col Strg Blk
10	156438	Link Drag Extended Stamped
11	10040600	Washer Lock Hvy Hlcl Spr 3/8
13	154779	Spacer Bearing Axle Front
15	73901000	Nut Lock Flange 5/8-11 Unc
17	156546	Shaft Asm Strg
18	57079	Washer Thrust 515x 750x 033
19	160395	Support Shaft
22	165857	Screw Hex Wsh Hd Torx
23	165851	Shaft Asm Pittman
25	154406	Bracket Steering
26	126847X	Bushing Link Drag Blk LR
27	136874	Gear Sector 22 Teeth
28	19131416	Washer 13/32 X 7/8 X 16 Ga
29	17490612	Screw Thdrol 3/8-16x3/4 Ty-tt
30	76020412	Pin Cotter 1/8 X 3/4 Cad
32	130465	Rod Tie Wire Form 19 75 Mech
36	155099	Bushing Steering
37	152927	Screw
38	140045	Cap Wheel Steer Ayp
39	19133808	Washer 13/32 x 2-3/8 x 8 Ga
40	7810H	Nut Lock Center 3/8-24 Unf
41	100711L	Adapter Wheel Strg .640/.635
42	145054	Boot Shaft Steering
43	121749X	Washer 25/32 X 1 1/4 X 16 Ga
44	153720	Shaft Extension Steering Non Adjust.
46	121232X	Cap Spindle Fr Top Blk
47	6855M	Fitting Grease
51	73800500	Nut Lock Hex W/Ins. 5/16-18 Unc P
54	74780520	Bolt Fin Hex 5/16-18 Unc P
62	167902	Kit, Steering Assembly
63	74780616	Bolt Fin Hex 3/8-16unc x 1
65	154780	Spacer Axle
66	154404	Bearing Arm Pittman
67	74781044	Bolt Fin Hex 5/8-11 Unc x 2-3/4
68	154429	Brace Axle
79	19132012	Washer 13/32 x 1 1/4 x 12 Ga
80	74950612	Bolt Hex Nylon 3/8-16 x 3/4

**NOTE:** All component dimensions given in U.S. inches  
1 inch = 25.4 mm

## TRACTOR - - MODEL NUMBER AYP7178A99

### SEAT ASSEMBLY

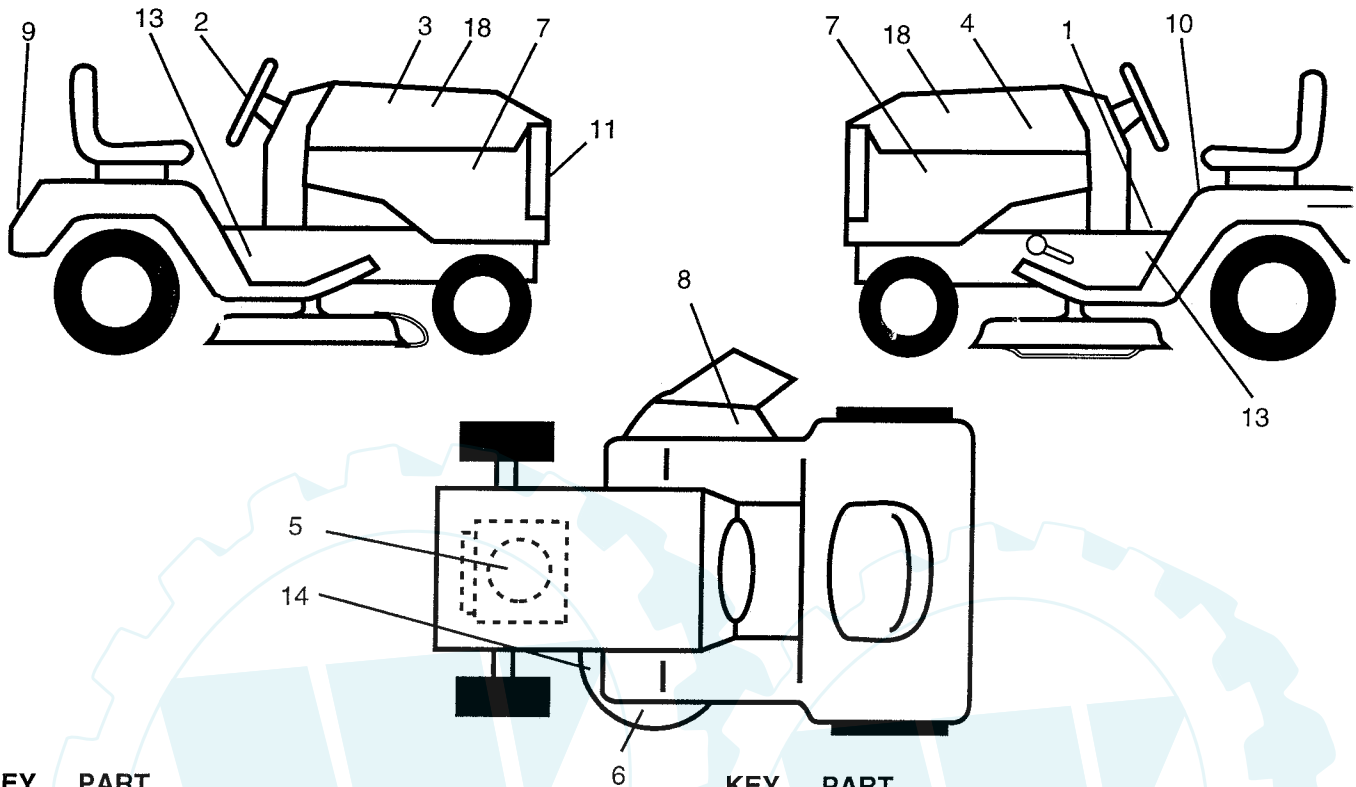


KEY NO.	PART NO.	DESCRIPTION
1	140117	Seat
2	140551	Bracket Pivot Seat 8 720
3	74760616	Bolt Fin Hex 3/8-16 Unc x 1
4	19131610	Washer Flat 13/32 x 1 x 10 Ga
5	145006	Clip Push In Hinged
6	73800600	Nut Crownlock 3/8-16 Unc
7	124181X	Spring Seat Cprsn 2 250 Blk Zi
8	17490616	Screw Thdrol 3/8-16 X 1 Ty-tt
9	19131614	Washer 13/32 X 1 X 14 Ga
10	155925	Pan Seat
12	121246X	Bracket Mounting Switch
13	121248X	Bushing Snap Blk Nyl 50 Id

KEY NO.	PART NO.	DESCRIPTION
14	72050412	Bolt Carriage 1/4-20x1-1/2
15	134300	Spacer Split 28x 96 Yel Zinc
16	121250X	Spring Cprsn 1 27 Blk Pnt
17	123976X	Nut Lock 1/4 Lge Flg Gr 5 Zinc
21	153236	Bolt Shoulder 5/16-18 Unc Blkz
22	73800500	Nut Lock Hex w/Ins 5/16-18 Unc
23	74780814	Bolt Fin Hex 1/2-13 X 7/8 Gr 5
24	19171912	Washer 17/32 X 1-3/16 X 12 Ga
25	127018X	Bolt Shoulder 5/16-18 X 62
26	10040800	Washer Lock Hvy Hlcl Spr 1/2

**NOTE:** All component dimensions given in U.S. inches:  
1 inch = 25.4 mm

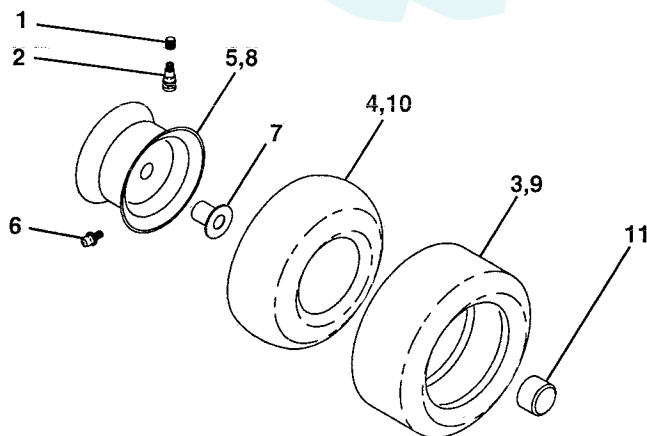
### DECALS



KEY NO.	PART NO.	DESCRIPTION
1	156368	Decal, Oper. Instr.
2	143470	Decal, Insert Strg Wizard Plus
3	141579	Decal, Hood, R.H.
4	141580	Decal, Hood, L.H.
5	273775	Decal, HP Engine
6	141583	Decal, Deck Mulching Wizard Plus
7	162699	Decal, Side Panel Intek Wizard Plus
8	141517	Decal, Mower Vented Wizard Plus

KEY NO.	PART NO.	DESCRIPTION
9	127520	Decal, USA White
10	157002	Decal, Fender Danger
11	150218	Decal, Lens Logo
13	141502	Decal, Chassis, 6 Speed/42"
14	160396	Decal, V-Belt Schematic
18	143388	Name plate Hood Wizard Larg
20	145005	Decal Battery Dngr/Psn PI Syn
--	138311	Decal, Lift Handle
--	154515	Pad Footrest LH STLT
--	154516	Pad Footrest RH STLT
--	166760	Owner's Manual

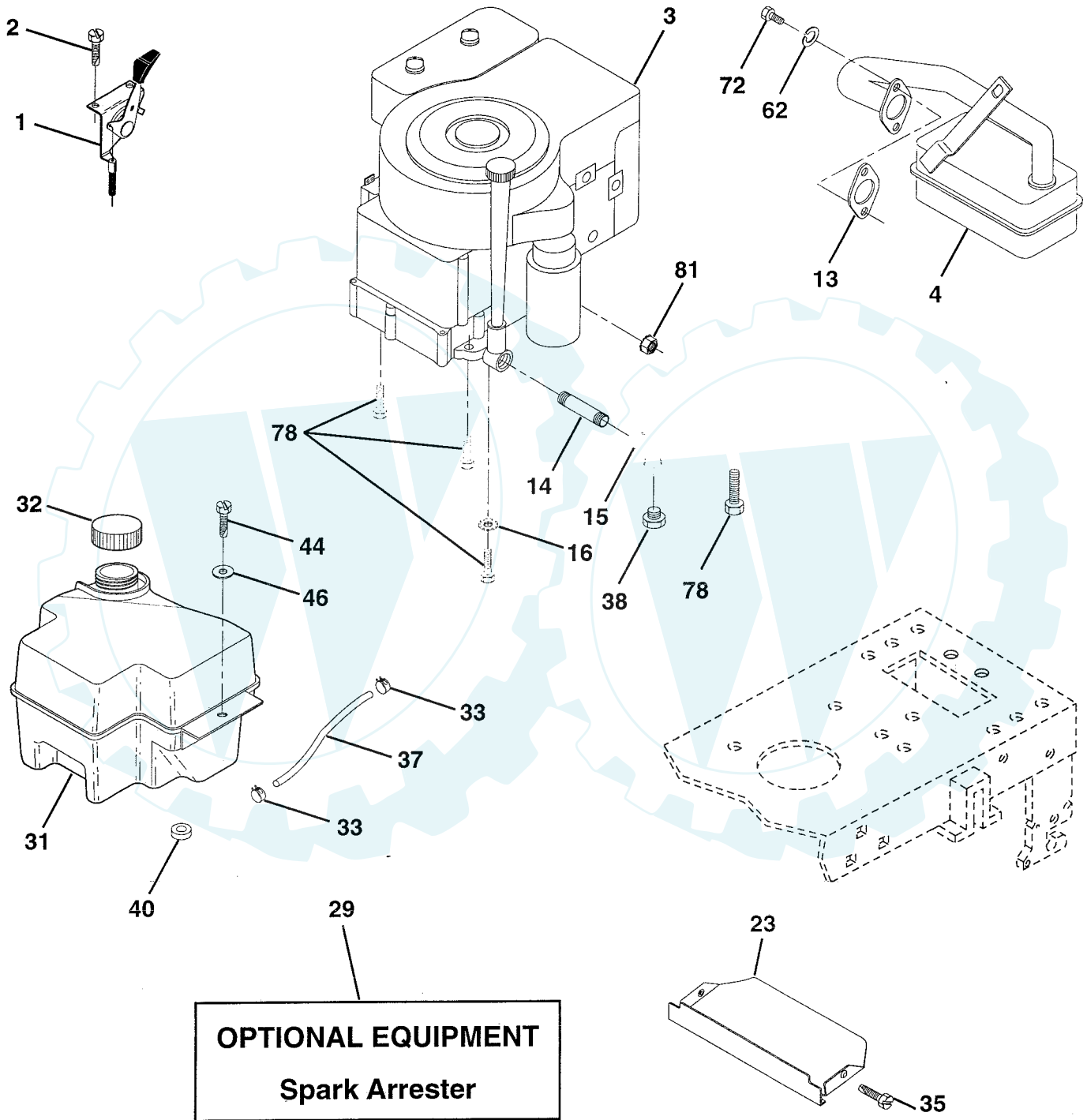
### WHEELS AND TIRES



KEY NO.	PART NO.	DESCRIPTION
1	59192	Cap Valve Tire
2	65139	Stem Valve
3	106222X	Tire F Ts 15 X 6 0 - 6 Service
4	59904	Tube Front (Service Item Only)
5	106732X427	Rim Asm 6" front White Servic
6	278H	Fitting Grease (Front Wheel O
7	9040H	Bearing Flange (Front Wheel (
8	106108X427	Rim Asm 8" rear White Servic
9	122082X	Tire R Ts 20 X 10-8 C Service
10	7152J	Tube Rear (Service Item Only)
11	104757X	Cap Axle Blk 1 50 X 1 00
--	144334	Sealant, Tire (10 oz. Tube)

**NOTE:** All component dimensions given in U.S. in.  
1 inch = 25.4 mm

ENGINE



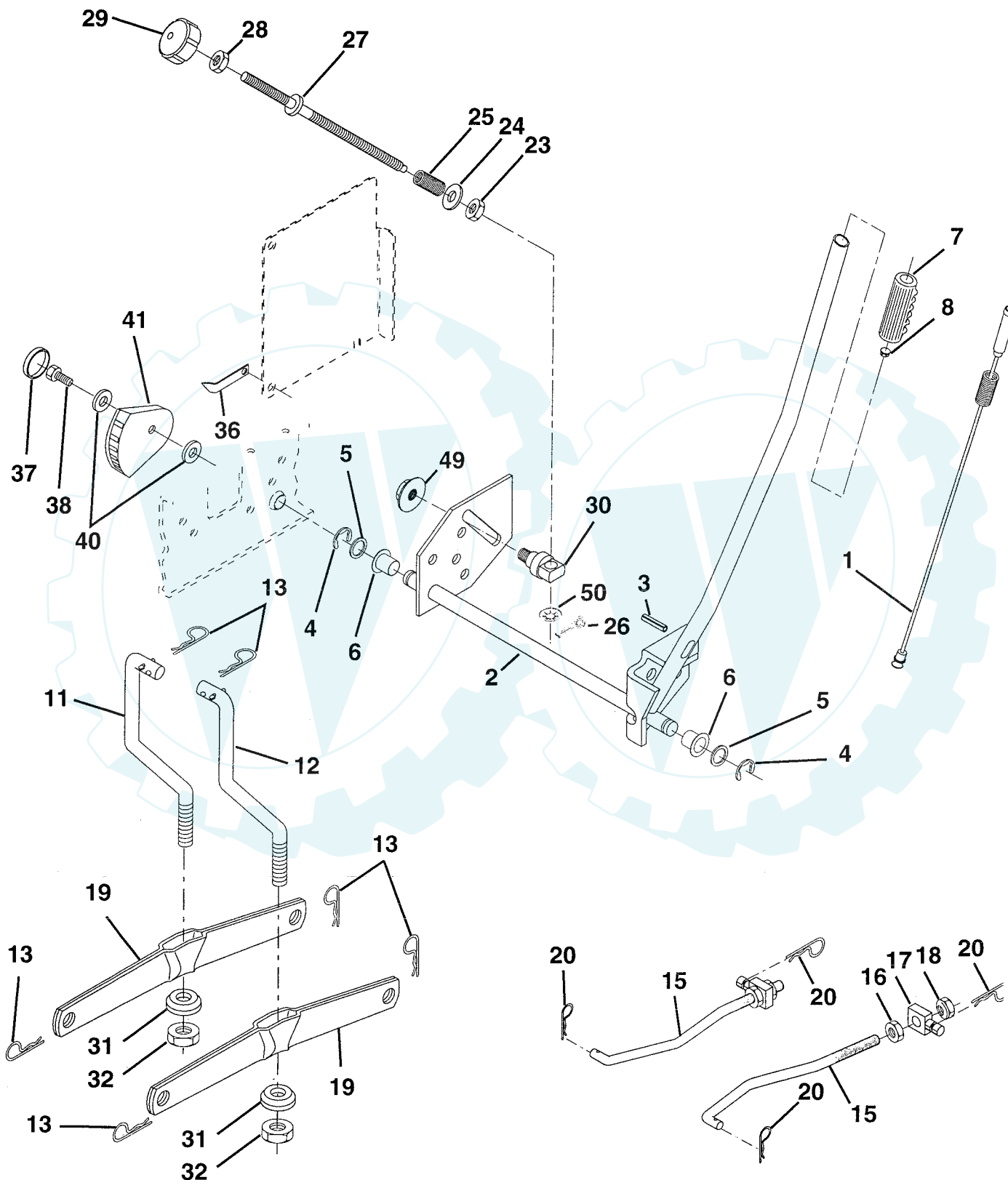
## TRACTOR - - MODEL NUMBER AYP7178A99

### ENGINE

KEY NO.	PART NO.	DESCRIPTION
1	140310	Control Th/ch RH Blk Pdl 15 10
2	17720410	Screw Hex Thd Cut 1/4-20x5/8 T
3	-----	Engine (See Breakdown) B&S Model No. 311777, Type No. 0144-E1
4	137352	Muffler LT B&S
13	272293	Gasket Eng 1 313 Id Tin Plated
14	13280324	Nipple Pipe 3/8 Npt X 3"
15	13200300	Elbow Std 90 Degree 3/8-18 Npt
16	11050600	Washer Lock Ext Tooth 3/8
23	159880	Shield Brn/Dbr Guard
29	137180	Kit Spark Arrestor (Flat Scrn)
31	161911	Tank Fuel Front 1 25
32	140527	Cap Asm Fuel Top Vent N/Lany
33	123487X	Clamp Hose Blk
35	17490512	Screw Thdol. 5/16-18 x 3/4
37	137040	Line Fuel 20"
38	-----	Plug Oil Drain (Order From Engine Manufacturer)
40	124028X	Bushing Snap Nyl Blk Fuel Line
44	17490412	Screw Hexwsh Thdrol 1/4-20x3/4
46	19091416	Washer 9/32 X 7/8 X 16 Ga
62	10040500	Washer Lock Hvy Hlcl Spr 5/16
72	71070512	Screw Hex Hd Cap 5/16-18 x 3/4
78	17490620	Screw Thdrol 3/8-16x1-1/4 TYTT
81	128861	Nut Flange 1/4-20 Starter Nut

**NOTE:** All component dimensions given in U. S. inches  
1 inch = 25.4 mm

### LIFT



## TRACTOR - - MODEL NUMBER AYP7178A99

## LIFT

KEY NO.	PART NO.	DESCRIPTION
1	159460	Wire Asm Inner W/Plunger
2	149471	Shaft Asm Lft RH
3	105767X	Pin Groove
4	12000002	E-ring Truarc #5133-62
5	19211621	Washer Pltd 21/32 X 1 X 21 Ga
6	120183X	Bearing Nylon
7	125631X	Grip Handle Fluted
8	122365X	Button Plunger Red
11	139865	Link Lift LH
12	139866	Link Lift RH
13	4939M	Retainer Spring
15	127218	Link Front
16	73350800	Nut Jam Hex 1/2-13 Unc
17	130171	Trunnion Blk Zinc
18	73800800	Nut Lock W/wsh 1/2-13unc
19	139868	Arm Suspension Rear
20	163552	Retainer Spring
23	110807X	Nut Special
24	19131016	Washer 13/32 X 5/8 X 16 Ga
25	2876H	Spring 2-1/8"
26	76020308	Pin Cotter 3/32 X 1/2
27	126971X	Rod Adj Lift Zinc 7.49 Wrk Lg
28	73350600	Nut Hex Jam 3/8-16 Unc
29	138057	Knob Inf 3/8-16 Unc Blk W/sym
30	150233	Trunnion Dp Stop Dbl Thds PLT
31	140302	Bearing Pvt. Lift Spherical
32	73540600	Nut Crownlock 3/8-24
36	155097	Pointer Height Indicator
37	123935X	Plug Hole Blk 1.485 / 1.515 Dia.
38	17490512	Screw Thdrol 5/16-18 x 3/4
40	19112410	Washer 11/32 x 1-1/2 x 10 Ga.
41	155098	Indicator Height STLT
49	145212	Nut Hex Flange Lock
50	110452X	Nut Push Phos & Oil

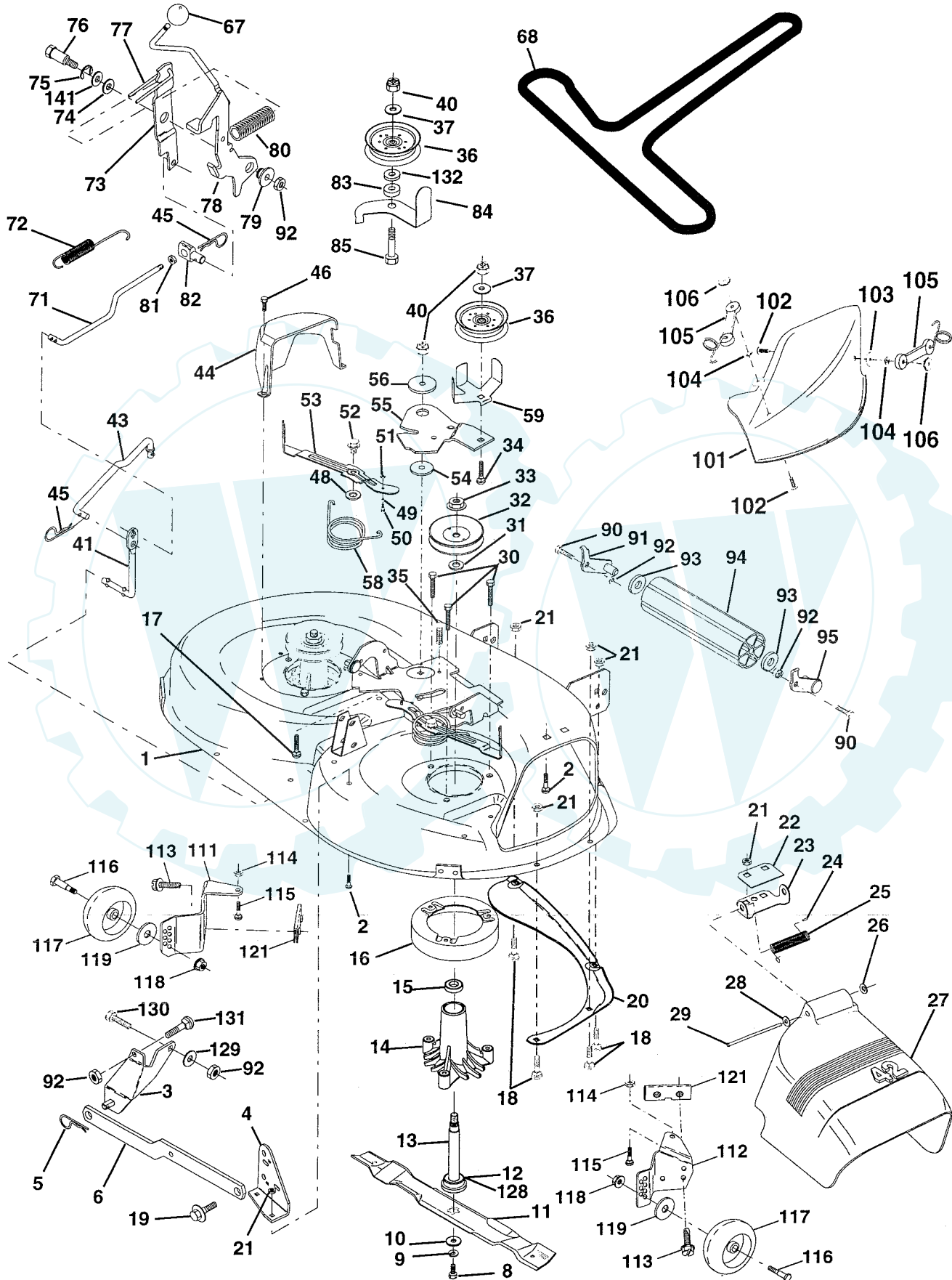
**NOTE:** All component dimensions given in U.S. inches  
1 inch = 25.4 mm

# REPAIR PARTS

[www.ersatzteil-service.de](http://www.ersatzteil-service.de)

## TRACTOR -- MODEL NUMBER AYP7178A99

### MOWER DECK





## TRACTOR - - MODEL NUMBER AYP7178A99

### MOWER DECK

KEY NO.	PART NO.	DESCRIPTION	KEY NO.	PART NO.	DESCRIPTION
1	164961	Mower Housing	68	144200	V-Belt Mower
2	72140506	Bolt Rdhd Sqnk 5/16-18unc X 3/4	71	142427	Rod Clutch Primary 38/42
3	138017	Bracket Asm Fr Sway Bar 38/42	72	131870	Spring Return
4	138440	Bracket Asm Deck 42" sway Bar	73	127847	Arm Clutch Secondary
5	4939M	Retainer Spring	74	121748X	Washer 25/32 X 1-5/8 X 16 Ga
6	130832	Arm Suspension Rear	75	12000029	Ring Klip #t5304-75
8	850857	Bolt 3/8-24 X 1 1/4	76	128903	Bolt Shoulder 3/8-16 Unc 1 44
9	10030600	Washer Lock Hvy 3/8	77	127845	Keeper Spring 4 000
10	140296	Washer Hard Blade Mower Vented	78	160570	Lever Asm Clutch Primary P/L
11	134149	Blade Mulching 42"	79	127498	Bushing 747 Od X 794 Lg Bras:
12	129895	Bearing Ball	80	153701	Spring Clutch Mower 2 750 Zinc
13	137645	Shaft Asm W/lower Bearing	81	73350600	Nut Hex Jam 3/8-16 Unc
14	128774	Housing Mandrel Vented	82	142028	Trunnion Adj
15	110485X	Bearing Ball Mandrel	83	120958X	Washer Sintered
16	140329	Stripper Mower Vented	84	156084	Keeper Belt Idler
17	72110610	Bolt Rdhd Sqnk 3/8-16 X 1-1/4	85	72140620	Bolt Carriage 3/8-16 x 2-1/2
18	72140505	Bolt Rdhd Sqnk 5/16-18 X 5/8	90	74760616	Bolt Fin Hex 3/8-16 x 1
19	132827	Bolt Shoulder	91	132274	Bracket Asm. Nose Roller Lh
20	159770	Baffle Vortex 42	93	19171416	Washer 17/32 x 7/8 x 16 Ga
21	73680500	Nut Crownlock 5/16-18 UNC	94	132264	Roller Nose 38/42
22	134753	Stiffener Bracket 42" deck	95	132273	Bracket Asm Noseroller Rh
23	131267	Bracket Deflector Mower 42"	92	73800600	Nut Lock Hex w/Ins 3/8-16 Unc
24	105304X	Cap Sleeve 80x 112 Blk Mower	101	136420	Cover Mulching 42" Black
25	123713X	Spring Torsion Deflector 2 52	102	71161010	Screw
26	110452X	Nut Push Phos & Oil	103	19061216	Washer #10
27	130968	Shield Deflector Mower 42" Blk	104	10071000	Washer Lock #10
28	19111016	Washer 11/32 X 5/8 X 16 Ga	105	160793	Latch Asm Bagger
29	131491	Rod Hinge 42" 6 75 Wlg	106	2029J	Nut Weld
30	157722	Screw Thdrol Washer Head	111	155197	Bracket Gauge Wheel LH 42" c
31	129963	Washer Spacer Mower Vented	112	155198	Bracket Gauge Wheel RH 42"
32	153535	Pulley Mandrel 42"	113	17490512	Screw Thdrol 5/16-18 X 3/4 Ty
33	137266	Nut 9/16 Top Lock Flng	114	73510500	Nut Keps 5/16-18 Unc
34	72110614	Bolt Rdhd 3/8-16uncx1-3/4 Gr5	115	72110504	Bolt Carr 5/16-unc X 1/2
35	133835	Fastner Christmas Tree	116	137644	Bolt Shoulder
36	131494	Pulley Idler Flat 3 060	117	133957	Wheel Gage
37	19131316	Washer 13/32 x 13/16 x 16 Ga	118	73930600	Nut Crownlock 3/8-16 Unc
40	73680600	Nut Crownlock 3/8-16 UNC	119	19121414	Washer 12/32 x 14/16 x 12 Ga
41	133551	Rod Pivot W/nibs	121	143723	Bracket Extruded Gauge Whe
43	140083	Rod Clutch Secondary W/nibs	128	153390	Washer, Felt
44	140088	Guard Mandrel LH Black	129	19131312	Washer 13/32 x 13/16 x 12 Ga
45	4497H	Spring Retainer 1" Zinc/cad	130	74780616	Bolt Fin Hex 3/8-16 UNC x 1 (
46	137729	Screw Hex Thd Cut	131	72140608	Bolt, RdHd Sqnk 3/8-16 UNC
48	133944	Washer Hardened Smaller	132	19132203	Washer 13/32 x 1-3/8 x 3 Ga.
49	155066	Roller Asm Cam Follower 42" dec	141	6266H	Washer Thrust .75 x 1.230
50	131340	Bolt Shldr 10-24 Zinc Gr 5 42"	--	130794	Mandrel Asm Service (Include
51	69180	Nut Lock #10-24 Unc			Nos. 8-10, 12-15, 31 and 33)
52	139888	Bolt Shoulder 5/16-18 Unc Blkz	--	164963	Mower Deck Complete (Std. D
53	131845	Arm Asm Pad Brake			Order seperately Mulcher Plat
54	133943	Washer Hardened			Gauge Wheel components and
55	155046	Arm Idler 42" mower LT/YT			mulch components, Key Nos.
56	122052X	Spacer Retainer Pm Mower			106 and 111-121.)
58	140086	Spring Torsion Brakes 42"			
59	141043	Guard TUV Idler			
67	162132	Knob Rd			

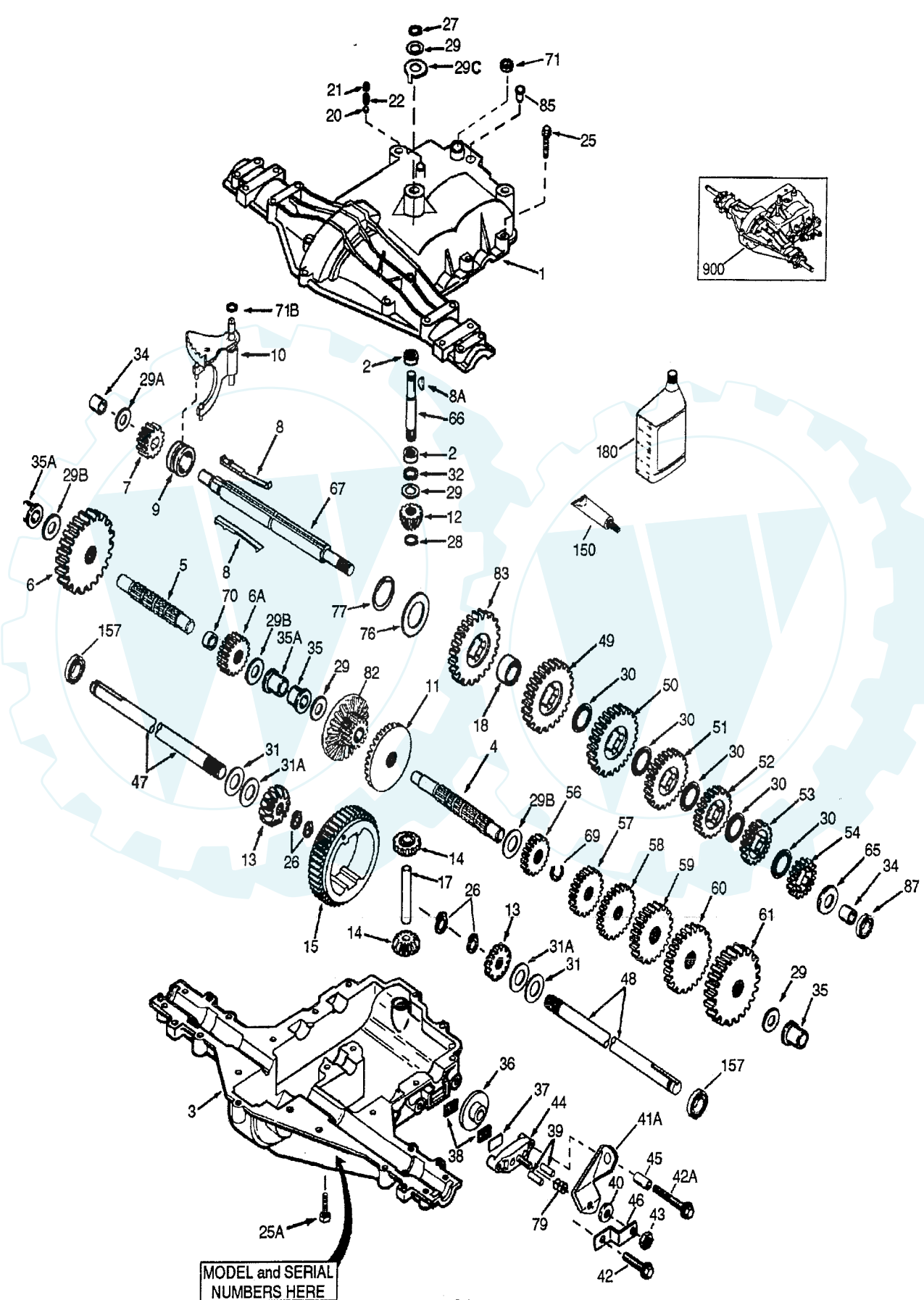
**NOTE:** All component dimensions given in U.S. in  
1 inch = 25.4 mm

# REPAIR PARTS

[www.ersatzteil-service.de](http://www.ersatzteil-service.de)

## TRACTOR - - MODEL NUMBER AYP7178A99

### PEERLESS TRANSAXLE - MODEL NUMBER 206-545C



MODEL and SERIAL  
NUMBERS HERE

## TRACTOR - - MODEL NUMBER AYP7178A99

### PEERLESS TRANSAXLE - MODEL NUMBER 206-545C

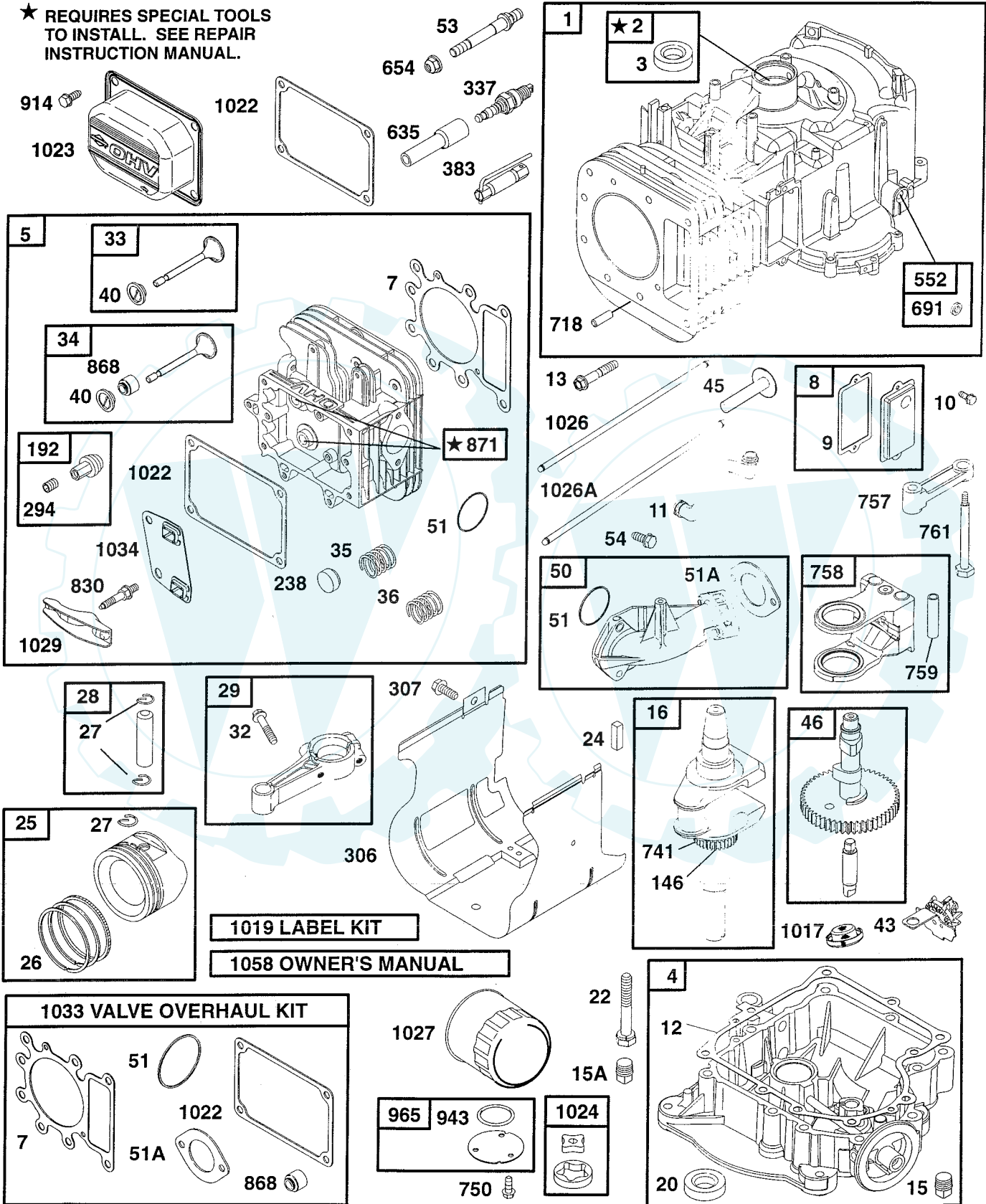
KEY PART NO. NO.	DESCRIPTION	KEY PART NO. NO.	DESCRIPTION
1	772147 Transaxle Cover	41A	790079 Brake Lever
2	780086A Needle Bearing 5/8"	42	792073A Screw 1/4 - 20 x 1-1/4"
3	770128 Transaxle Case	42A	792085A Screw 1/4 - 20 x 2 1/4"
4	776395 Countershaft	43	792075 Locknut 5 / 16 - 24
5	776409 Output Shaft	44	790025 Brake Pad Holder
6	778364 Spur Gear (38 teeth)	45	786066 Spacer .2625 x 1.0
6A	778369 Spur Gear (15 teeth)	46	786086 Brake Lever Bracket
7	778330 Spur Gear (11 teeth)	47	774690 Axle (11-15 / 16" Long)
8	792180 Shift Key	48	774691 Axle (16 - 1 / 2" long)
8A	792047 Woodruff Key #9	49	778356 Spur Gear (29 teeth)
9	784352 Shift Collar	50	778338 Spur Gear (27 teeth)
10	784378 Shift Rod & Fork	51	778354 Spur Gear (23 teeth)
11	778334 Bevel Gear (30 teeth)	52	778352 Spur Gear (19 teeth)
12	778309 Input Bevel Pinion (13 teeth)	53	778350 Spur Gear (16 teeth)
13	778368 Bevel Gear (13 teeth) (Include. 14)	54	778346 Spur Gear (15 teeth)
14	778368 Bevel Pinion (13 teeth) (Include. 13)	56	778355 Spur Gear (11 teeth)
15	778370 Ring Gear (43 teeth)	57	778337 Spur Gear (13 teeth)
17	786188 Drive Pin	58	778353 Spur Gear (17 teeth)
18	786102 Spacer 1.130 X .695	59	778351 Spur Gear (21 teeth)
20	792077A Ball 5/16" dia	60	778349 Spur Gear (24 teeth)
21	792078 Set Screw 3/8 - 16 x 3/8"	61	778345 Spur Gear (25 teeth)
22	792079 Spring .310 OD x .625 L	65	780189 Flat Washer .563 ID x .062W
25	792073A Screw 1/4 - 20 x 1-1/4"	66	776422 Input Shaft
25A	792177 Screw 1/4-20 x 1-3/8"	67	776396 Shifter & Brake Shaft
26	792125 Retaining Ring (pkg of 2)	69	792170 Retaining Ring
27	792035 Retaining Ring	70	786187 Spacer .890
28	788040 Retaining Ring	71	788069 Square Cut Ring
29	780072 Thrust Washer .627 ID x .031W	71B	788092 "O" Ring
29A	780160 Thrust Washer .762 ID x .031W	76	780090 Flat Washer 1.128 ID x .058W
29B	780051 Thrust Washer .762 ID x .031W	77	788078A Inverted Retaining Ring
29C	780199 Anti-Rotation Washer .632	79	792144 Spring .430 OD x .5000 L
30	780108 Cup Washer 1.127 ID x .032W	82	778333 Bevel & Spur Gear (30 & 13 te
31	780001 Flat Washer .750 ID x .056W (Use As Needed)	83	778338 Spur Gear (27 teeth)
31A	780195 Flat Washer .750 ID x .062W	85	792154 Oil Fill Plug
32	788083 Oil Seal 5/8"	87	788089A Oil Seal 9 / 16"
34	780194 Bushing .563	150	788093A Liquid Gasket RTV Silicone
35	780193 Flanged Bushing 5 / 8" ID	157	788088A Oil Seal 3 / 4"
35A	780197 Flanged Bushing .751	180	730229A Gear Oil 80W90
36	790075 Brake Disk	900	794712 Replacement MST - 206-545C Transaxle
37	790007 Brake Pad Plate		
38	799021 Brake Pad (pkg of 2)		
39	786026 Dowel Pin		
40	792076A Flat Washer .312 ID x .059W		

NOTE: All component dimensions given in U.S. inches 1 inch = 25.4 mm

## TRACTOR - - MODEL NUMBER AYP7178A99

BRIGGS & STRATTON ENGINE - MODEL NUMBER 311777, TYPE NUMBER 0144-E1

★ REQUIRES SPECIAL TOOLS TO INSTALL. SEE REPAIR INSTRUCTION MANUAL.

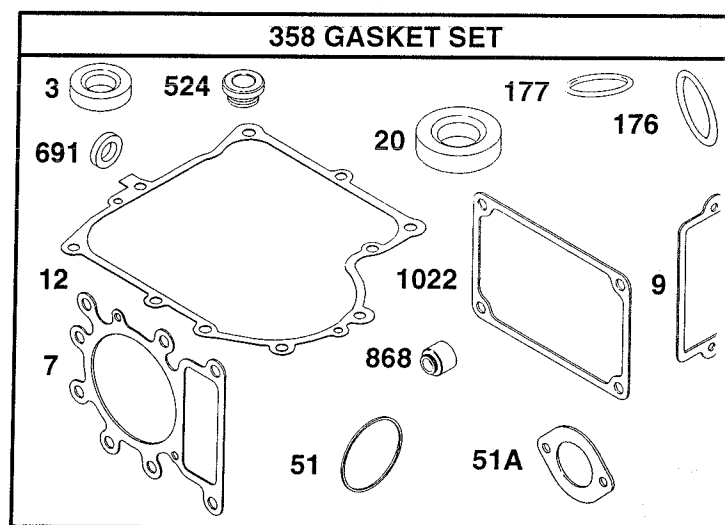
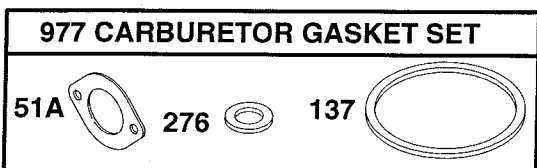
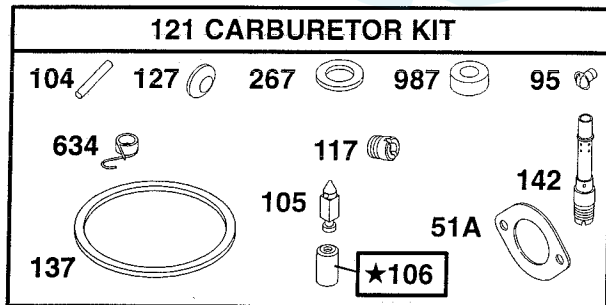
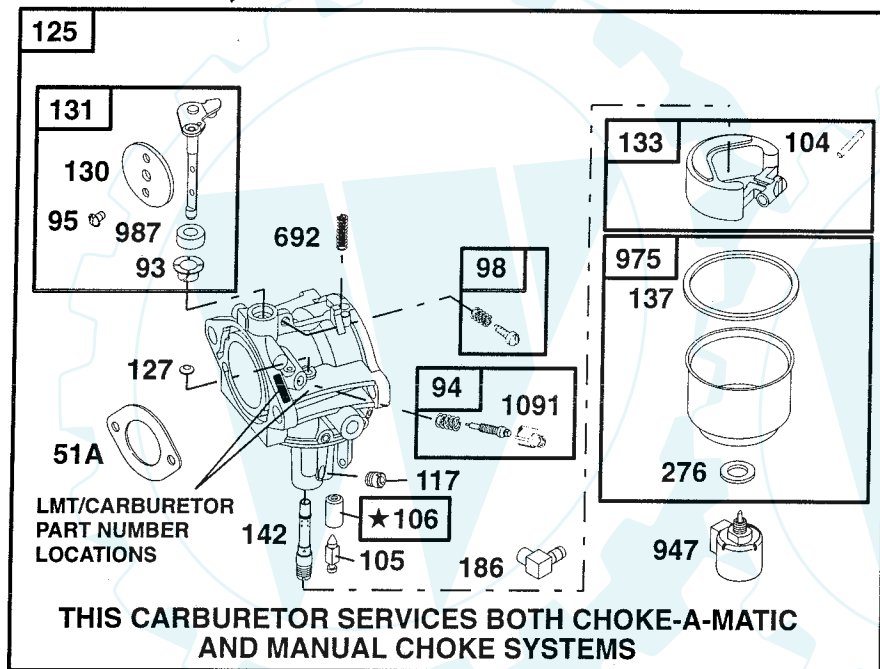
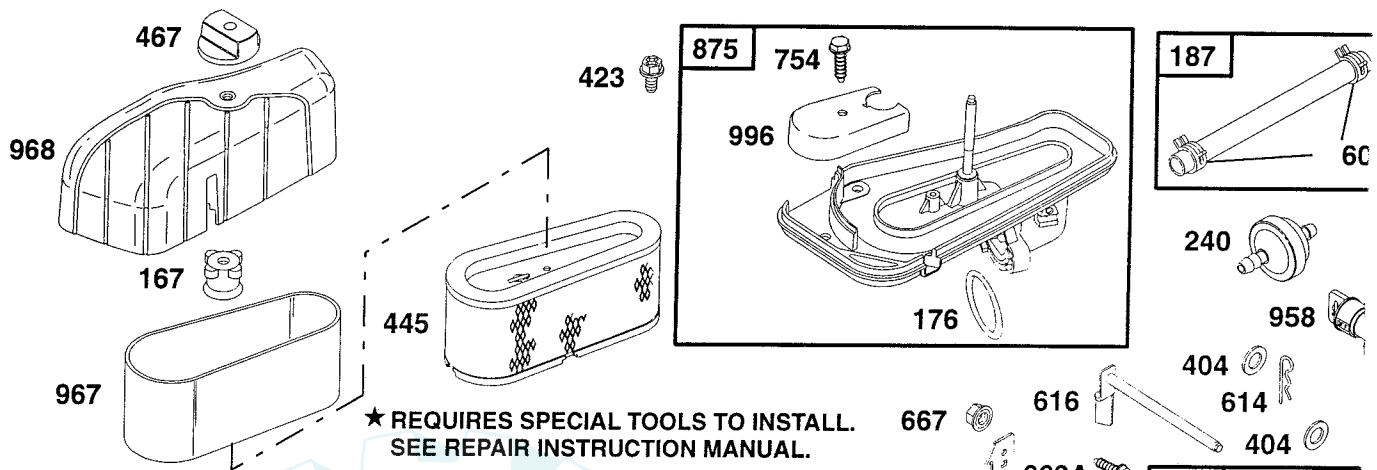


# REPAIR PARTS

[www.ersatzteil-service.de](http://www.ersatzteil-service.de)

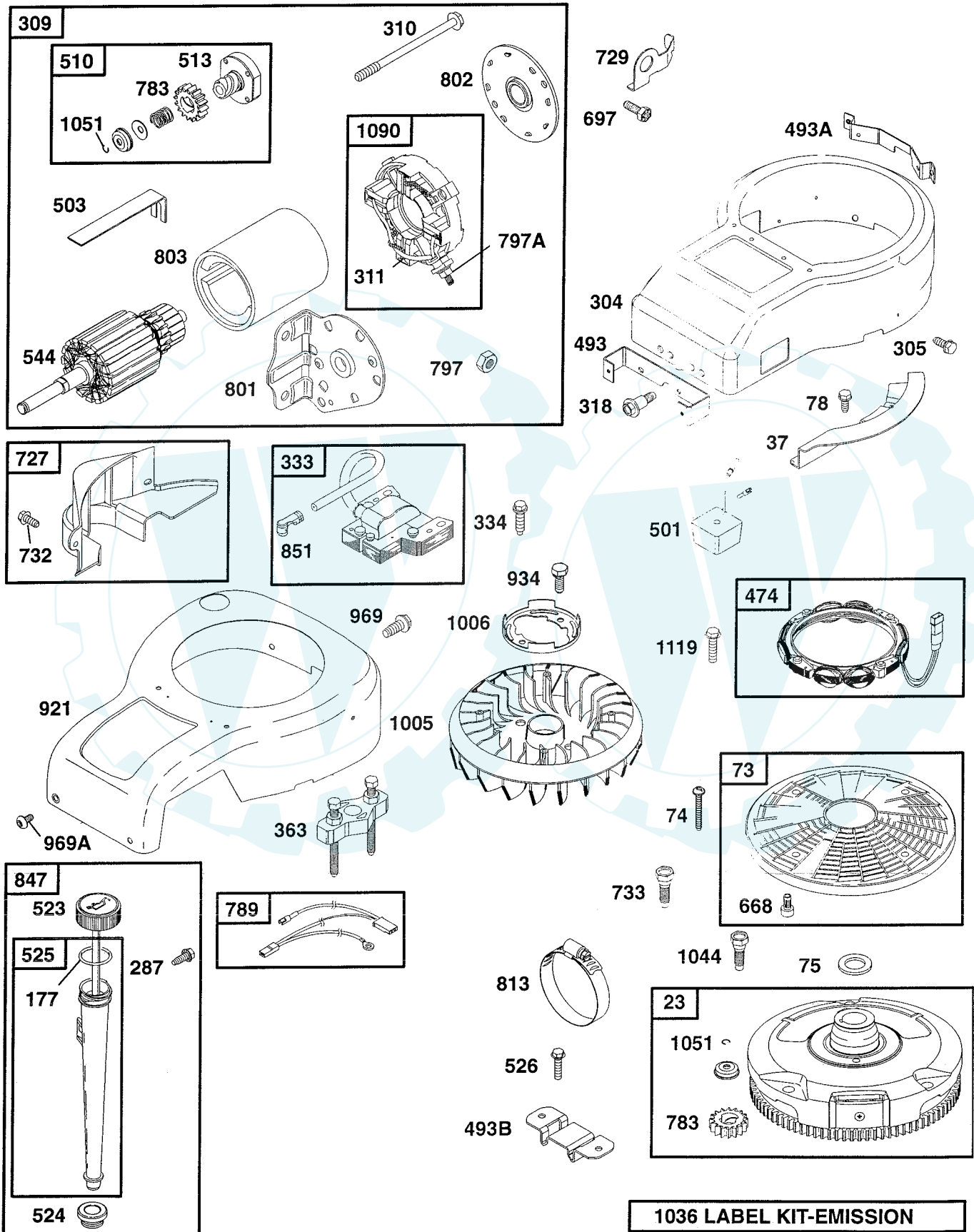
## TRACTOR - - MODEL NUMBER AYP7178A99

BRIGGS & STRATTON ENGINE - MODEL NUMBER 311777, TYPE NUMBER 0144-E1



TRACTOR - - MODEL NUMBER AYP7178A99

BRIGGS & STRATTON ENGINE - MODEL NUMBER 311777, TYPE NUMBER 0144-E1



## TRACTOR - - MODEL NUMBER AYP7178A99

### BRIGGS & STRATTON ENGINE - MODEL NUMBER 311777, TYPE NUMBER 0144-E1

KEY PART NO. NO.	DESCRIPTION	KEY PART NO. NO.	DESCRIPTION
1 690156	Cylinder Assembly	105 231855	● Float Needle Valve
2 399265	Bushing/Seal Kit (Magneto Side)	106 231854	● Seat-Inlet
3 391086	★ Oil Seal (Magneto Side)	108 224540	Valve-Choke (Choke-A-Matic)
4 693582	Sump-Engine	117 232118	● Jet, Main (Standard)
5 690188	Cylinder Head	117 232119	Jet, Main (High Altitude)
7 692410	★△ Cylinder Head Gasket	121 690191	Carburetor Overhaul Kit
8 495735	Breather Assembly	125 690194	Carburetor
9 27803	★ Gasket-Breather	127	● Plug-Welch (Sold in Kit Only)
10 94719	Screw (Breather Assembly)	130 224539	Valve-Throttle
11 691328	Breather Tube	131 494379	Throttle Shaft Kit
12 271916	★ Crankcase Gasket (.015" Thick, Std.) -	133 494381	Float-Carburetor
12 271997	★ Crankcase Gasket (.005" Thick)	137 281165	◆ Gasket-Float Bowl
12 271996	★ Crankcase Gasket (.009" Thick)	141A 495931	Choke Shaft Kit (Choke-A-Matic)
13 690360	Screw (Cylinder Head, 3-9/16")	142 232117	● Nozzle-Carburetor
15 94239	Plug-Oil Drain	146 94196	Key-Timing
15A 91488	Plug-Oil Pressure Switch	167 281051	Nut (Air Cleaner)
16 690136	Crankshaft	176 281106	★ O-Ring Seal (Air Cleaner Base)
20 291675	★ Oil Seal (PTO Side)	177 270920	★ Seal-O-Ring (Dipstick)
22 692125	Screw (Crankcase Cover)	186 493496	Connector-Hose
23 693556	Flywheel	187 492790	Line-Fuel (Cut to Required Length)
24 222698	Flywheel Key	188 94929	Screw (Control Bracket)
25 692271	Piston Assembly (Std.)	192 492160	Rocker Arm Adjuster
25 692272	Piston Assembly (.010 "O.S.)	202 262767	Link-Mechanical Governor
25 692273	Piston Assembly (.020" O.S.)	209 260695	Spring, Governor
25 692274	Piston Assembly (.030" O.S.)	216 262766	Link-Choke
26 690162	Ring Set, Piston (Std.)	222 694042	Bracket-Control
26 690164	Ring Set (.010 "O.S.)	227 493935	Governor Control Lever
26 690166	Ring Set (.020 "O.S.)	232 262785	Spring-Link
26 690168	Ring Set (.030 "O.S.)	238 262836	Cap-Valve
27 263129	Piston Pin Lock	240 394358	Filter-Fuel
28 498319	Piston Pin (Std.)	265 221535	Clamp-Casing
28 498320	Piston Pin (.005" O.S.)	267 94906	Screw (Casing Clamp)
29 692419	Connecting Rod (Std.)	276 281164	◆ Sealing Washer
29 499940	Connecting Rod (.020 U.S.)	287 94903	Screw (Dipstick Tube)
32 692852	Screw (Connecting Rod)	294 810104	Adjuster-Rocker Arm
33 495856	Exhaust Valve	304 225017	Housing-Blower (Black Inner)
34 495857	Intake Valve	305 690960	Screw (Inner Blower Housing)
35 691279	Valve Spring (Intake)	306 690499	Shield, Cylinder
36 691279	Valve Spring (Exhaust)	307 94930	Screw (Cylinder Shield)
37 224502	Guard-Flywheel	309 693551	Motor-Starter(For Steel Ring Gea Only)
40 224641	Valve Retainer	310 94003	Screw (Starter Motor)
43 490815	Governor-Oil Slinger	311 497608	Brush Set
45 262411	Valve Tappet	318 692127	Screw (Mounting Bracket)
46 693450	Camshaft		
48 692707	Shortblock		
50 690193	Intake Manifold		
51 693138	★△ Intake Gasket		
51A 273650	Intake Gasket		
53 690227	Stud (Carburetor)		
54 691148	Screw (Intake Manifold)		
73 494439	Screen-Rotating		
74 94821	Screw (Rotating Screen)		
75 225136	Washer (Flywheel)		
78 94896	Screw (Flywheel Guard)		
93 690602	Bushing-Throttle Shaft		
94 498030	Kit-Idle Mixture		
95 94098	● Screw (Throttle Valve)		
98 495800	Kit-Idle Speed		
104 231789	● Pin-Float Hinge		

RPM Settings: Low Speed: 1900-2100  
High Speed: 3000-3200

- ★ Included in Gasket Set, Ref Number 358.
- Included in Carburetor Kit, Ref Number 121.
- ◆ Included in Carburetor Gasket Set, Ref Number 97
- △ Included in Value Overhaul Kit, Ref Number 1033.

**NOTE:** All component dimensions given in U.S. inches  
1 inch = 25.4 mm

## TRACTOR - - MODEL NUMBER AYP7178A99

BRIGGS & STRATTON ENGINE - MODEL NUMBER 311777, TYPE NUMBER 0144-E1

**KEY PART  
NO. NO.**

**DESCRIPTION**

**KEY PART  
NO. NO.**

**DESCRIPTION**

333	495859	Armature, Magneto
334	94731	Screw (Magneto Armature)
337	491055	Spark Plug
358	690189	Gasket Set
363	19203	Flywheel Puller
383	89838	Wrench-Spark Plug
404	94927	Washer (Governor Crank)
423	692129	Screw (Air Cleaner Base)
445	496894	Filter, A/C Element
467	493903	Knob-Air Cleaner
474	392595	Alternator
493	690493	Bracket-Mounting (Front)
493A	690494	Bracket-Mounting (Rear)
493B	691177	Bracket-Mounting
501	491546	Regulator
503	806000	Strap-Starter
505	231978	Nut (Governor Control Lever)
510	693699	Drive, Starter (Use With Steel Ring Gear Only)
513	398003	Clutch-Drive
523	495230	Dipstick
524	281370	★ Dipstick Tube Seal
525	691398	Dipstick Tube
526	690326	Screw (Regulator)
544	497603	Armature-Starter
552	491986	Bushing-Gov. Lever
562	94907	Bolt (Governor Control Lever)
601	93053	Clamp-Hose
614	93306	Pin-Cotter
616	495157	Crank-Governor
634	690802	● Spring&Seal Assembly. (Choke-A-Matic)
635	280872	Boot-Sparkplug
654	94010	Nut (Carburetor)
667	94010	Nut (Air Cleaner Brace)
668	805402	Spacer
691	491323	★ Governor Shaft Seal
692	262715	Spring-Detent
697	94951	Screw (Starter Motor)
718	230192	Pin-Locating
727	490324	Cover, Starter Drive
729	225170	Clip, Wire
732	94903	Screw (Starter Drive Cover)
733	94673	Screw (Crankshaft Extension)
741	262932	Gear-Timing
750	691033	Screw (Oil Pump Cover)
757	213998	Link-Counterweight
758	499994	Counterweight
759	230787	Pin-Counterweight
761	691096	Screw (Counterweight)
783	693713	Gear-Pinion (For Steel Ring Gear Only)
789	497708	Harness, Wiring

797	92278	Nut (Starter Cable)
797A	693167	Washer (Starter Cable)
801	497626	Cap-Drive
802	497607	Cap-End
803	693757	Housing-Starter
813	690635	Clamp
830	691095	Stud (Rocker Arm)
847	496415	Dipstick/Tube Assembly
851	692424	Terminal-Cable
868	690968	★△ Seal- Valve
871	690969	Bushing-Guide
875	693686	Base, Air Cleaner
914	94863	Screw (Rocker Cover)
921	692493	Housing, Blower (Red Outer)
934	94627	Screw (Fan Retainer)
943	280801	O Ring Seal (Oil Pump Cover)
947	497672	Solenoid-Fuel
965	499613	Oil Pump Cover
967	272403	Filter-Pre Cleaner
968	692502	Cover, Air Cleaner
969	94863	Screw (Outer Blower Housing)
969A	690365	Screw (Outer Blower Housing)
975	495933	Bowl-Float
977	690192	Gasket Set-Carburetor
987	281166	● Seal-Throttle Shaft
1005	281400	Fan-Flywheel
1006	690452	Retainer-Fan
1017	690770	Oil Pump Screen
1019	690180	Label Kit
1022	272475	★△ Gasket-Rocker Cover
1023	692492	Cover-Rocker
1024	499054	Pump-Oil
1026	494432	Rod-Push (Intake)
1026A	495136	Rod-Push (Exhaust)
1027	492932	Filter Oil
1029	224554	Rocker Arm
1033	690190	Valve Overhaul Kit
1034	690822	Guide-Push Rod
1036	692468	Label Kit-Emission
1044	94673	Screw (Flywheel)
1051	263080	Ring-Retainer
1090	497605	Retainer-Brush
1091	691333	Cap-Limiter
1119	93621	Screw (Alternator)
— —	311777-0036-E1	Replacement Engine

RPM Settings: Low Speed: 1900-2100  
High Speed: 3000-3200

- ★ Included in Gasket Set, Ref Number 358.
- Included in Carburetor Kit, Ref Number 121.
- ◆ Included in Carburetor Gasket Set, Ref Number 977.
- △ Included in Valve Overhaul Kit, Ref Number 1033.

**NOTE:** All component dimensions given in U.S. inches  
1 inch = 25.4 mm