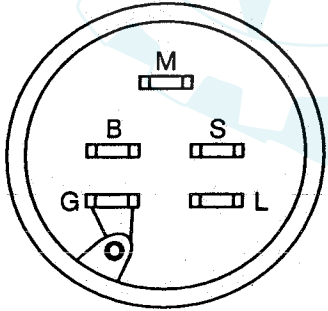
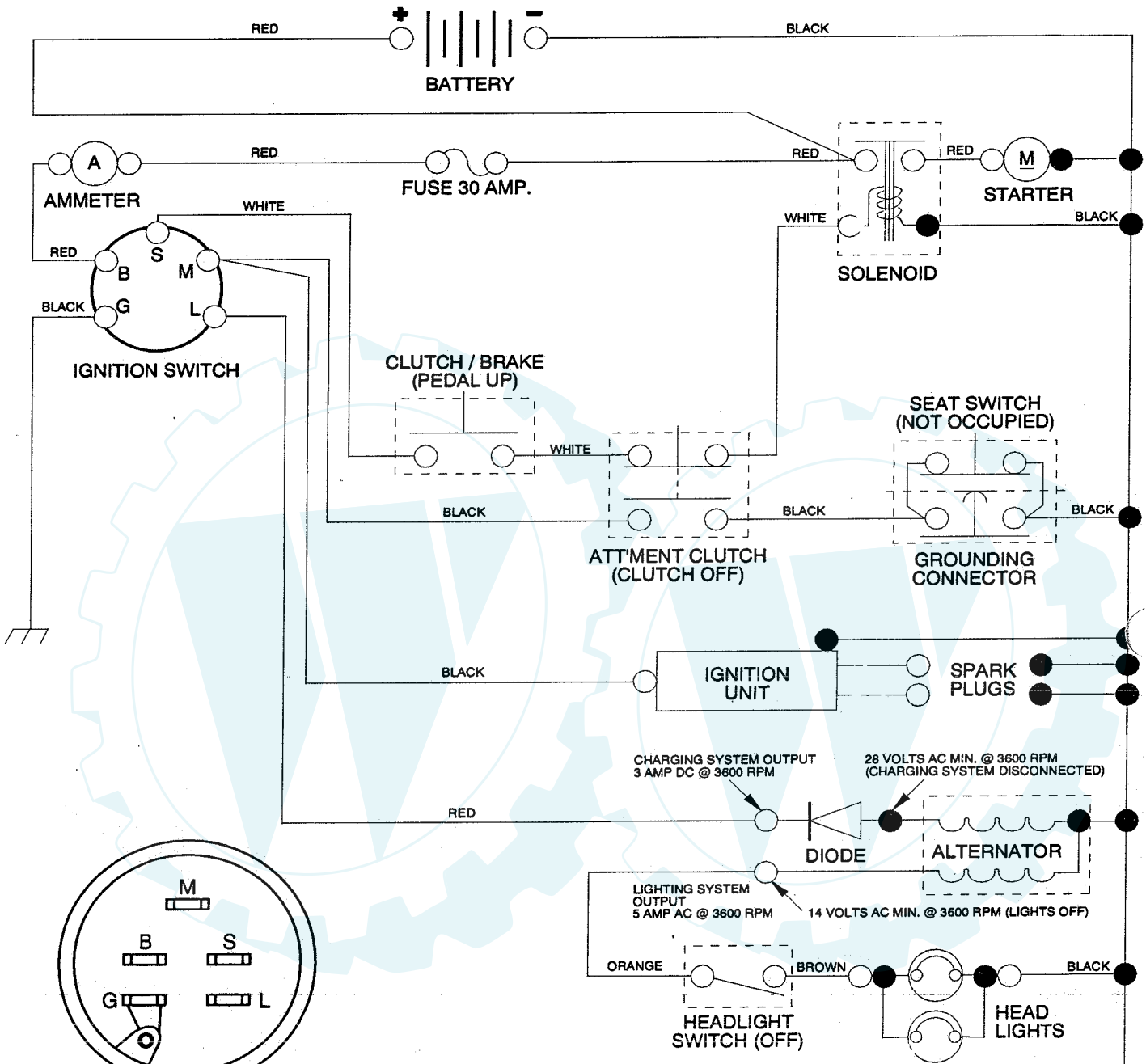


14 HP 42" TRACTOR -- MODEL NUMBER AYP7147A39

SCHEMATIC



IGNITION SWITCH

POSITION	CIRCUIT
OFF	M + G
ON	B + L
START	B + S

WIRING INSULATED CLIPS
 NOTE: IF WIRING INSULATED CLIPS WERE REMOVED FOR SERVICING OF UNIT, THEY SHOULD BE REPLACED TO PROPERLY SECURE YOUR WIRING

NOTE
 YOUR TRACTOR IS EQUIPPED WITH A SPECIAL ALTERNATOR SYSTEM. THE LIGHTS ARE NOT CONNECTED TO THE BATTERY, BUT HAVE THEIR OWN ELECTRICAL SOURCE. BECAUSE OF THIS, THE BRIGHTNESS OF THE LIGHTS WILL CHANGE WITH ENGINE SPEED. AT IDLE THE LIGHTS WILL DIM. AS THE ENGINE IS SPEEDED UP, THE LIGHTS WILL BECOME THEIR BRIGHTEST.

● NON-REMOVABLE CONNECTIONS

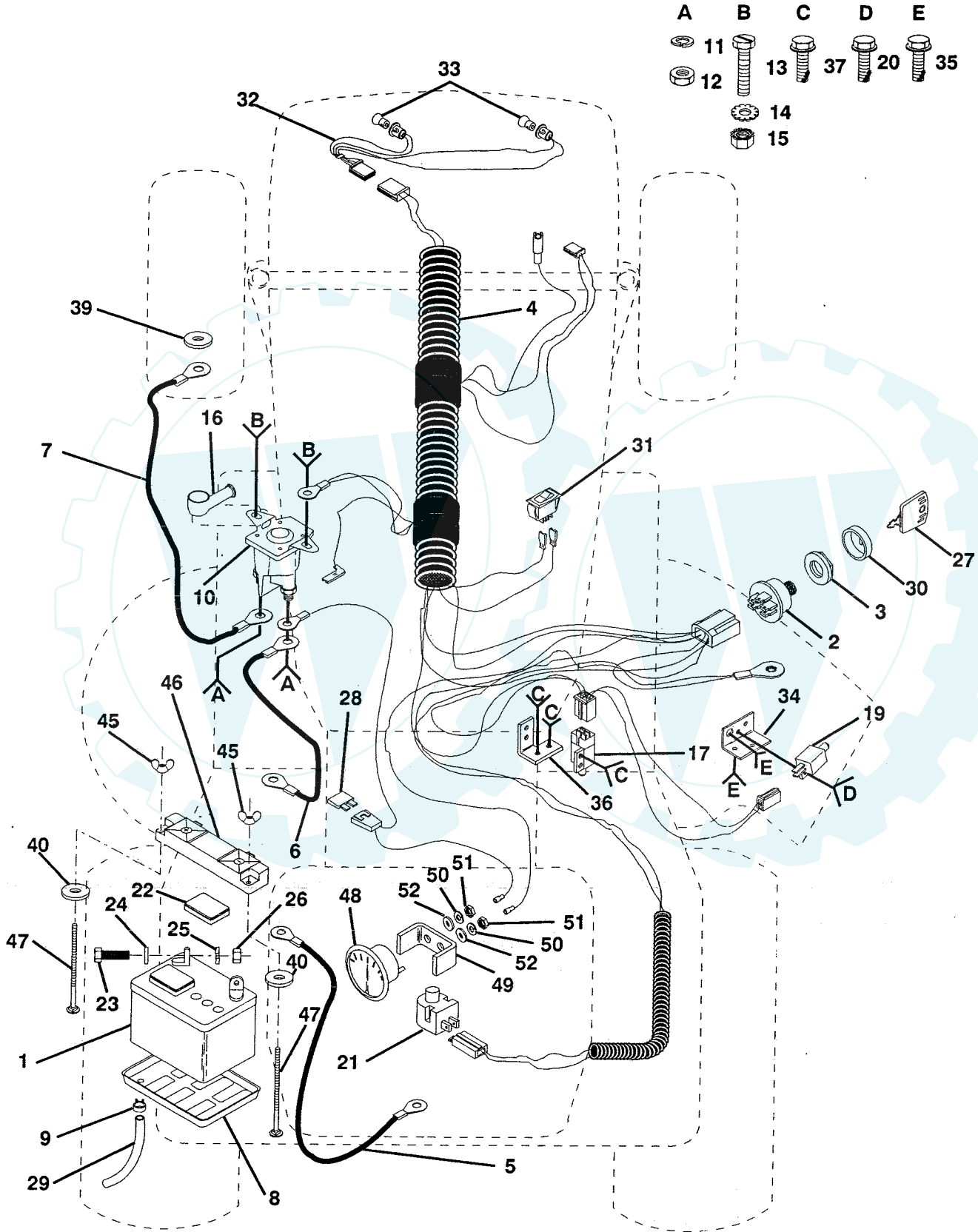
○ REMOVABLE CONNECTIONS

REPAIR PARTS

www.ersatzteil-service.de

14 HP 42" TRACTOR - - MODEL NUMBER AYP7147A39

ELECTRICAL



14 HP 42" TRACTOR - - MODEL NUMBER AYP7147A39

ELECTRICAL

KEY PART NO. NO.	DESCRIPTION
1 121265X	Battery 12 Volt 25 AMP
2 4406R	Switch Ign 5 Term Wo/wash/nut
3 124211X	Nut Ignition
4 138701	Harness Ign B&S Dash HI
5 4207J	Cable Ground 6 Ga 12"black
6 4206J	Cable Battery 6 Ga 22" Red
7 4799J	Cable Battery 6 Ga 11"red
8 7603J	Tray Battery 7 80 X 5 25 Blk
9 109596X	Clamp Hose Olive
10 138406	Solenoid
11 10090400	Washer Lock 1/4
12 73350400	Nut Jam Hex 1/4-20 Unc
13 74780408	Bolt Fin Hex 1/4-20uncx1/2 Gr5
14 11050400	Washer Lock Ext Tooth 1/4
15 73510400	Nut Keps Hex 1/4-20 Unc
16 131563	Cover Terminal Red
17 109553X	Switch Intlk Clutch Gry 4 Term
19 104445X	Switch Intlk Clutch Gry 2 Term
20 17021008	Screw Tap Hex #10-24unc X 1/2
21 121305X	Switch Plunger Nc Gray
22 121264X	Caps Battery 20/25/30 AMP
23 74760412	Bolt Hex Hd 1/4-20unc X 3/4
24 19091016	Washer 9/32 X 5/8 X 16 Ga
25 10040400	Washer Lock Hvy Helical 1/4
26 73220400	Nut Fin Hex 1/4-20 Unc
27 122147X	Key Ign Molded Generic
28 108824X	Fuse 30 amp Auto Green
29 7697J	Tube Plastic 46"
30 123620X	Cover Sw Key Blk 1 25 Text SLT
31 110712X	Switch Light Blk Blk Red
32 136849	Harness Asm Light W/7662j
33 7662J	Bulb Light #1141
34 108236X	Bracket Switch Clutch
35 17021008	Screw Tap Hex #10-24unc X 1/2
36 130890	Bracket Switch Interlock
37 17021008	Screw Tap Hex #10-24unc X 1/2
39 11150400	Washer Lock Internal Tooth 1/4
40 19131416	Washer 13/32 x 7/8 x 16 Ga.
45 123198X	Nut Plastic Locking Wng 1/4-20
46 102476X	Guard Terminal Blk
47 72240460	Bolt Rdhd Sqnk 1/4-20 X 7-1/2
48 9433R	Ammeter Round 15 AMP
49 131708	Bracket Ammeter 2 242 X 1 180
50 10101000	Washer Lock
51 73911000	Nut
52 19070818	Washer 7/32 X 1/2 X 18 Ga

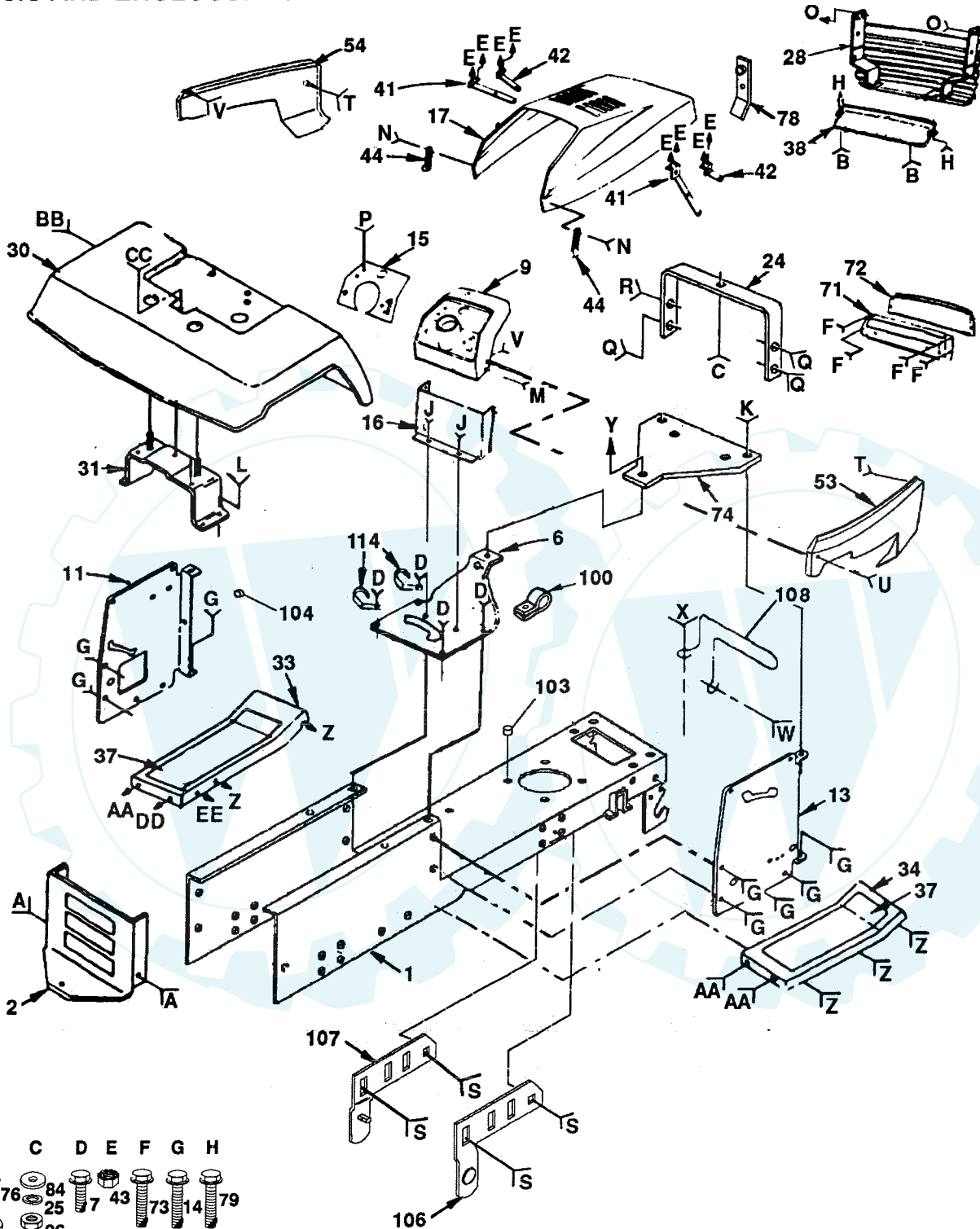
NOTE: All component dimensions given in U.S. inches
1 inch = 25.4 mm

REPAIR PARTS

www.ersatzteil-service.de

14 HP 42" TRACTOR - - MODEL NUMBER AYP7147A39

CHASSIS AND ENCLOSURES



- | A | B | C | D | E | F | G | H |
|----|----|----|---|----|----|----|----|
| 3 | 76 | 84 | 7 | 43 | 73 | 14 | 79 |
| 77 | 25 | 26 | | | 75 | | 80 |

- | J | K | L | M | N | O | P | Q | R | S | T | U | V | W | X | Y | Z | AA | BB | CC | DD | EE |
|----|----|----|----|----|----|----|----|----|-----|----|----|----|-----|-----|----|----|----|----|----|-----|-----|
| 27 | 88 | 32 | 21 | 45 | 48 | 18 | 91 | 91 | 105 | 55 | 60 | 66 | 109 | 110 | 85 | 35 | 94 | 97 | 98 | 111 | 112 |
| 39 | 92 | | | 46 | 49 | 19 | 91 | 93 | 113 | 55 | 56 | 57 | 22 | 22 | 87 | 36 | 94 | 95 | 96 | 95 | 36 |
| | | | | 47 | 20 | 92 | 92 | 92 | | | | | | | | | | | | 95 | 36 |
| | | | | 22 | | | | | | | | | | | | | | | | 96 | |
| | | | | 22 | | | | | | | | | | | | | | | | | |
| | | | | 23 | | | | | | | | | | | | | | | | | |

REPAIR PARTS

www.ersatzteil-service.de

14 HP 42" TRACTOR - - MODEL NUMBER AYP7147A39

HASSIS AND ENCLOSURES

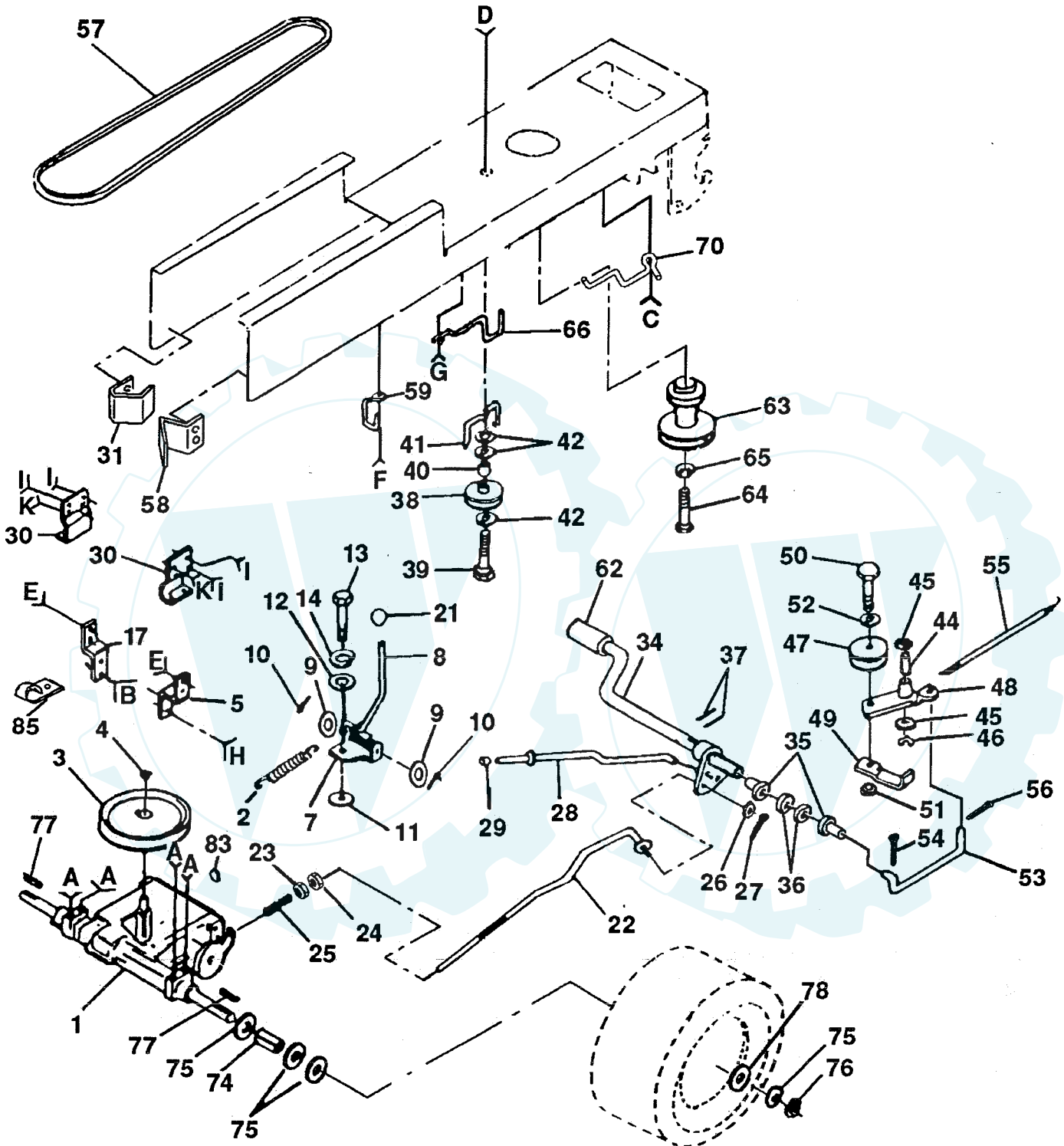
KEY PART NO. NO.	DESCRIPTION	KEY PART NO. NO.	DESCRIPTION	
1	135034	56	73220400	Nut Fin Hex 1/4-20 Unc
2	137275	57	7206J	Spacer Split #10 X 3/4 Cad/zin
3	17490612	58	19070818	Washer 7/32 X 1/2 X 18 Ga
6	131343X037	59	73731000	Nut Keps #10-24 Unc
7	17490608	60	74981020	Screw Mach Cr Pan 10-24 X1-1/4
9	124252X	66	123198X	Nut Plastic Locking Wng 1/4-20
11	137207	71	124392X417	Bezel Asm. Pnt.
13	132069	72	106395X	Lens Headlight Bar Clear
14	17490612	73	17211010	Screw Hex #10-16 X 5/8
15	135040X026	74	106965X	Plate Support Battery
16	104783	75	104755X	"J" Fastener
17	132635X505	76	17490512	Screw Thdrol 5/16-18 X 3/4 TYT
18	74180512	77	19131210	Washer 13/32 X 3/4 X 10 Ga
19	19111116	78	132644	Bracket Grille Galv
20	73510500	79	17490412	Screw Hexwsh Thdrol 1/4-20x3/4
21	74760620	80	19091016	Washer 9/32 X 5/8 X 16 Ga
22	19131616	84	19091216	Washer 9/32 X 3/4 X 16 Ga
23	73680600	85	74760512	Bolt Hex Hd 5/16-18unc X 3/4
24	124130X	87	73510500	Nut Keps 5/16-18 Unc
25	10040400	88	74760620	Bolt Fin Hex 3/8-16unc X 1-1/4
26	73220400	91	74760612	Bolt Fin Hex 3/8-16unc X 3/4
27	74180512	92	73680600	Nut Crownlock 3/8-16 Unc
28	131716	93	11050600	Washer Lock Ext Tooth 3/8
29	109872X505	94	74760612	Bolt Fin Hex 3/8-16unc X 3/4
31	136619	95	19131312	Washer 13/32 X 13/16 X 12 Ga
32	17490612	96	73680600	Nut Crownlock 3/8-16 Unc
33	105465X505	97	17490608	Screw Thdrol 3/8-16x1/2 Ty-tt
34	105464X505	98	17490612	Screw Thdrol 3/8-16x3/4 Ty-tt
35	72110606	100	2751R	Clip Line Fuel 13/32 Mtg Hole
36	73680600	103	9151R	Bushing Snap Blk Nyl 75 Id
37	133671	104	110436X	Bushing Snap Split Blk
38	105419X418	105	72140608	Bolt Rdhd Sqnk 3/8-16unc X1
39	73510500	106	134775	Bracket Asm Pvt42 RH MWR Rear
41	106784X	107	134774	Bracket Asm Pvt42 LH MWR Rear
42	104618X	108	135029	Guard Muffler Bzp
43	73510400	109	72110608	Bolt Rdhd Sqnk 3/8-16 X 1 Gr 5
44	109808X	110	17490616	Screw Thdrol 3/8-16 X 1 Ty-tt
45	74191008	111	74760614	Bolt Fin Hex 3/8-16unc X 7/8
46	10071000	112	72140608	Bolt Rdhd Sqnk 3/8-16unc X 1
47	2029J	113	73800600	Nut Lock Hex W/wsh 3/8-16unc
48	123481X	114	126471X	Clip
49	73680400			
53	137655X418			
54	132637X418			
55	19091216			

NOTE: All component dimensions given in U.S. inches
1 inch = 25.4 mm

REPAIR PARTS

14 HP 42" TRACTOR - - MODEL NUMBER AYP7147A39

DRIVE



- | A | B | C | D | E | F | G | H | I | K |
|----|---|----|----|----|----|----|----|----|----|
| 15 | 6 | 71 | 43 | 18 | 61 | 67 | 20 | 32 | 84 |
| 16 | | 72 | | 19 | 60 | 68 | | 33 | |
| | | 73 | | | | 69 | | | |

REPAIR PARTS

www.ersatzteil-service.de

14 HP 42" TRACTOR - - MODEL NUMBER AYP7147A39

IVE

KEY PART NO. NO.

KEY PART NO. NO.	DESCRIPTION
1 - - - - -	Transaxle 6sp Ex-med D4360-55
2 110422X	Spring Return Brake T/a Zinc
3 123667X	Pulley Transaxle 20"tires
4 12000028	Ring Retainer # 5100-62
5 121520X	Strap Torque 30 Degrees
6 17490512	Screw Thdrol 5/16-18 X 3/4 TYT
7 130802	Plate Pnt. Shifter
8 131679	Rod Shift Sdl.
9 19151216	Washer 15/32 X 3/4 X 16 Ga
10 76020416	Pin Cotter 1/8 X 1
11 105701X	Washer Plate Shf 388 Sq Hole
12 19091210	Washer 9/32 X 3/4 X10 Ga.
13 71040412	Bolt Fin Hex 1/4-28unfx3/4 Gr8
14 10040400	Washer Lock Hvy Helical 1/4
15 74760540	Bolt Fin Hex 5/16-18uncx 2-1/2
16 73680500	Nut Crown Lock 5/16-18
17 121520X	Strap Torque 30 Degrees
18 74760612	Bolt Fin Hex 3/8-16unc X 3/4
19 73680600	Nut Crownlock 3/8-16 Unc
20 17490512	Screw Thdrol 5/16-18 X 3/4 TYT
21 106933X	Knob Rd 1/2-13 Plstc Thds Blk
22 130804	Rod Brake Blk Zinc 26 840
23 73800600	Nut Lock Hex W/wsh 3/8-16unc
24 73350600	Nut Hex Jam 3/8-16 Unc
25 106888X	Spring Rod Brake 2 00 Zinc
26 19131316	Washer 13/32 X 13/16 X 16 Ga
27 76020412	Pin Cotter 1/8 X 3/4 Cad
28 133261	Rod Brake Parking 14 500
29 71673	Cap Brake Parking Black
30 130807	Bracket Mtg Transaxle
31 127289	Keeper Belt LH YT 14 Ga
32 74760512	Bolt Hex Hd 5/16-18unc X 3/4
33 73680500	Nut Crown Lock 5/16-18
34 122424X	Shaft Asm Pedal Foot 1 930
35 120183X	Bearing Nylon Blk 629 Id
36 19211616	Washer 21/32 X 1 X 16 Ga
37 1572H	Pin Roll 3/16 X 1"
38 123674X	Pulley Idler Flat
39 74760644	Bolt Fin Hex 3/8-16unc X 2-3/4
40 4470J	Spacer Split 395 X 59 Bzp
41 109070X	Keeper Belt Retainer

KEY PART NO. NO.

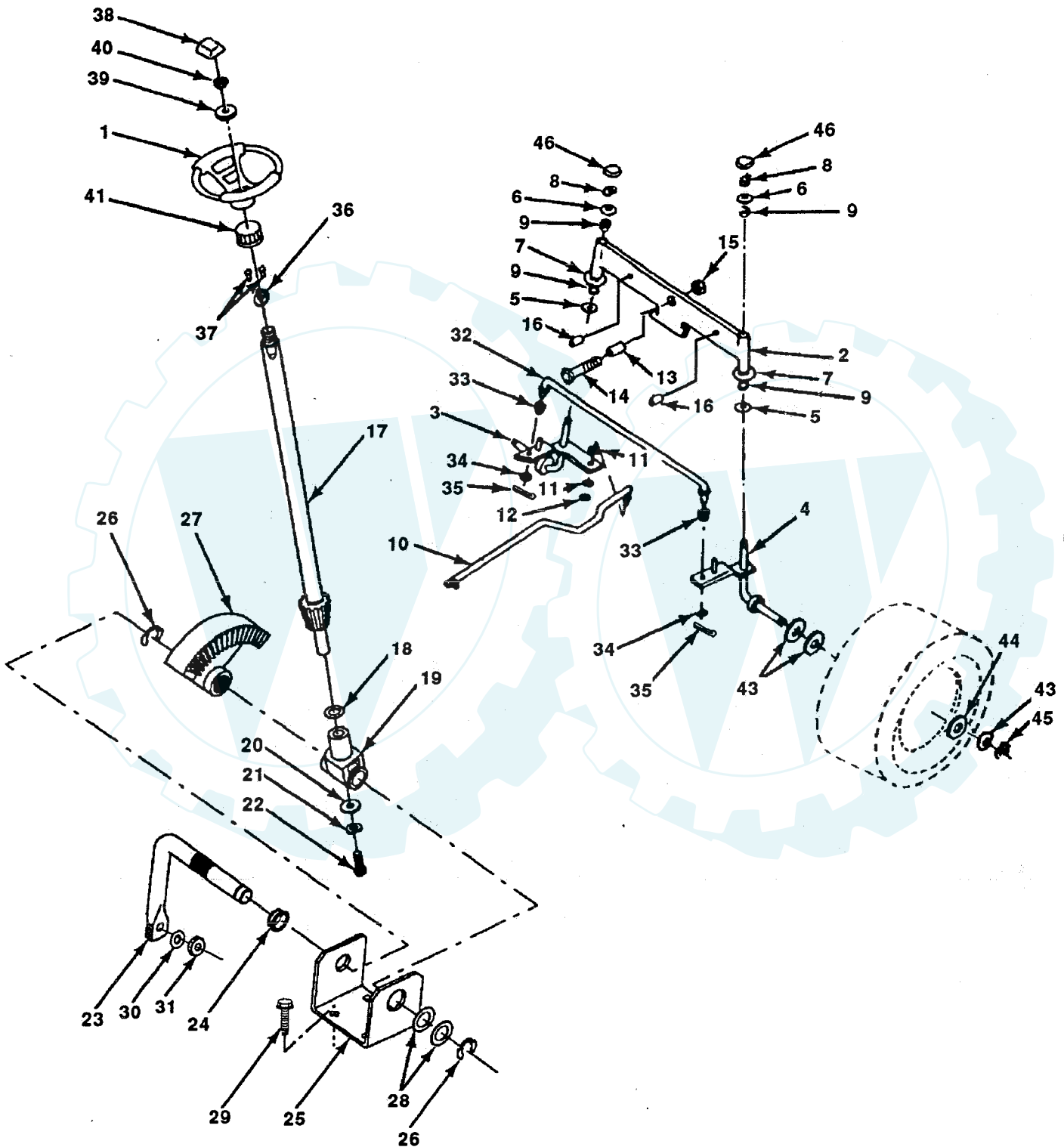
KEY PART NO. NO.	DESCRIPTION
42 19131312	Washer 13/32 X 13/16 X 12 Ga
43 73680600	Nut Crownlock 3/8-16 Unc
44 105706X	Bearing Nyl 503 X 628 X 1 25
45 110812X	Washer Hardened
46 12000039	Ring Klip #t5304-50
47 127783	Pulley Idler V Groove Plastic
48 123789X	Bellcrank Asm Clutch
49 123205X	Retainer Belt Style Spring
50 74760624	Bolt Hex Hd 3/8-16unc X 1-1/2
51 73680600	Nut Crownlock 3/8-16 Unc
52 19131316	Washer 13/32 X 13/16 X 16 Ga
53 105710X	Link Clutch 7 66
54 76020412	Pin Cotter 1/8 X 3/4 Cad
55 105709X	Spring Return Clutch 6 75
56 76020412	Pin Cotter 1/8 X 3/4 Cad
57 131006	V-Belt Gnd Dr 98 25 YT Stretch
58 127290	Keeper Belt RH YT Pnt/zinc 16g
59 136715	Keeper Belt Chassis Span Ctr
60 19131312	Washer 13/32 X 13/16 X 12 Ga
61 17490612	Screw Thdrol 3/8-16x3/4 Ty-tt
62 8883R	Cover Pedal Blk Round
63 134825	Engine Pulley LT/YT
64 71170764	Bolt Hex 7/16-20x4 Gr 5
65 10040700	Washer Lock Hvy Hlcl Spr 7/16
66 129921	Keeper Belt Engine LH LT
67 74760616	Bolt Fin Hex 3/8-16unc X 1
68 19131312	Washer 13/32 X 13/16 X 12 Ga
69 73680600	Nut Crownlock 3/8-16 Unc
70 134683	Guide Belt Mower Drive RH
71 74760616	Bolt Fin Hex 3/8-16unc X 1
72 19132012	Washer 13/32 X 1-1/4 X 12 Ga
73 73680600	Nut Crownlock 3/8-16 Unc
74 109502X	Spacer Split 80x1 94 Cad/zinc
75 121749X	Washer 25/32 X 1 1/4 X 16 Ga
76 12000001	E-ring #5133-75
77 123583X	Key Square 2 0 X 1845/ 1865
78 121748X	Washer 25/32 X 1-5/8 X 16 Ga
83 2228M	Key Woodruff #9 3/16 X 3/4
84 17490612	Screw Thdrol 3/8-16 x 3/4 Ty-tt
85 2751R	Clip Line Fuel 13/32 Mtg Hole

NOTE: All component dimensions given in U.S. inches
1 inch = 25.4 mm

REPAIR PARTS

14 HP 42" TRACTOR - - MODEL NUMBER AYP7147A39

STEERING ASSEMBLY



14 HP 42" TRACTOR - - MODEL NUMBER AYP7147A39

STEERING ASSEMBLY

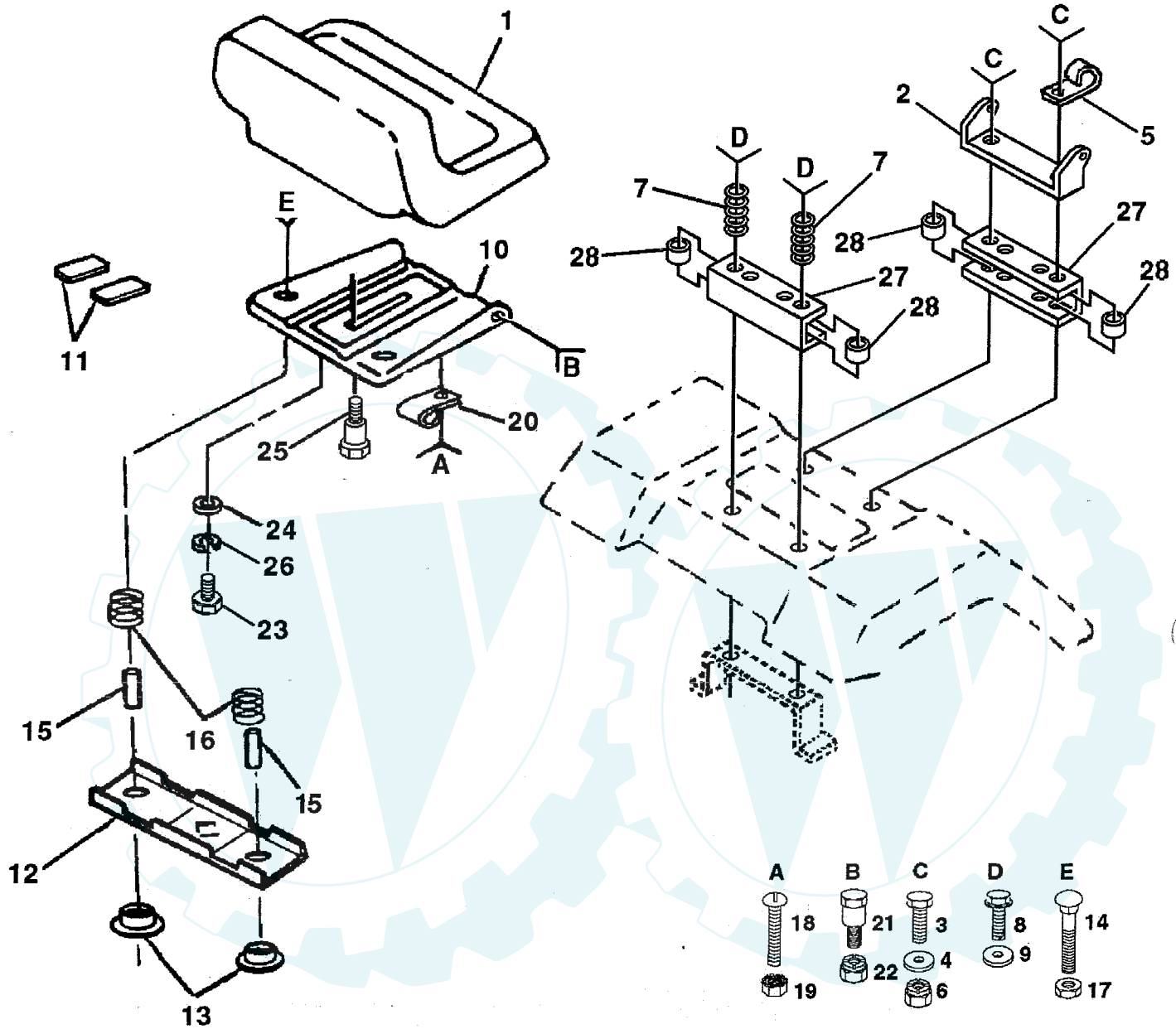
KEY NO.	PART NO.	DESCRIPTION
1	133741	Wheel Steering Ayp/kelch Blk
2	133988	Axle Asm Fr LT W/gzks 38/42
3	135227	Spindle Asm LH
4	135228	Spindle Asm RH
5	6266H	Bearing Race Thrust Harden
6	121748X	Washer 25/32 X 1-5/8 X 13 Ga
7	19272016	Washer 27/32 X 1-1/4 X 16 Ga
8	12000029	Ring Klip #t5304-75
9	3366R	Bearing Col Strg Blk
10	130468	Link Drag Sol Ball Jt 20 064
11	10040600	Washer Lock Hvy Hlcl Spr 3/8
12	73610600	Nut Fin Hex 3/8-24 Unf
13	110438X	Spacer Bearing Axle Front
14	74011056	Bolt Hex 5/8-11 Unc X 3-1/2
15	73901000	Nut Lock Flange 5/8-11 Unc
16	132624	Pin Axle 5/8 X 1 55/1 54 Lg
17	128758	Shaft Asm Strg 18 31x3/4 Yp LT
18	57079	Washer Thrust 515x 750x 033
19	124035X	Support Shaft
20	126684X	Washer Shim 1/4 X 5/8 X 062
21	10040400	Washer Lock Hvy Helical 1/4
22	71070410	Screw Hex Socket 1/4-20 X 5/8
23	127501	Shaft Asm Pittman
24	109816X	Nyliner Snap In
25	124036X	Bracket Steering
26	12000029	Ring Klip #t5304-75
27	136874	Gear Sector 22 Teeth
28	6266H	Bearing Race Thrust Harden
29	17490612	Screw Thdrol 3/8-16x3/4 Ty-tt
30	10040600	Washer Lock Hvy Hlcl Spr 3/8
31	73610600	Nut Fin Hex 3/8-24 Unf
32	130465	Rod Tie Wire Form 19 75 Mech
33	126847X	Bushing Link Drag Blk LR
34	19131416	Washer 13/32 X 7/8 X 16 Ga
35	76020412	Pin Cotter 1/8 X 3/4 Cad
36	1554J	Bushing Strg Blk 742/747 Id
37	17431008	Screw Slftp #10-16 X 1/2 Ty-b
38	133742	Cap Wheel Steer Ayp/kelch Blk
39	100712K	Washer 53 X 2 25 X 160 Zinc
40	73940800	Nut Hex Jam Toplock 1/2-20 Unf
41	100711L	Adapter Wheel Strg 758/ 753id
43	121749X	Washer 25/32 X 1 1/4 X 16 Ga
44	121748X	Washer 25/32 X 1-5/8 X 16 Ga
45	12000029	Ring Klip #t5304-75
46	121232X	Cap Spindle Fr Top Blk

NOTE: All component dimensions given in U.S. inches
1 inch = 25.4 mm

REPAIR PARTS

14 HP 42" TRACTOR - - MODEL NUMBER AYP7147A39

SEAT ASSEMBLY



KEY NO.	PART NO.	DESCRIPTION
1	127427	Seat V350 Blk/blk Std
2	126656X	Bracket Pivot Seat 8 720
3	74760640	Bolt Hex Fin 3/8-16unc X 2-1/2
4	19131610	Washer 13/32 X 1 X 10 Ga
5	2751R	Clip Line Fuel 13/32 Mtg Hole
6	73680600	Nut Crownlock 3/8-16 Unc
7	124181X	Spring Seat Cprsn 2 250 Blk Zi
8	17490640	Screw Hwsh Thdrol 3/8-16x2-1/2
9	19131614	Washer 13/32 X 1 X 14 Ga
10	131451	Pan Seat
11	121251X	Strip Foam Gray Or Black
12	121246X	Bracket Mounting Switch
13	121248X	Bushing Snap Blk Nyl 50 Id
14	72050411	Bolt Rdhd Sht Nk 1/4-20x1-3/8
15	134300	Spacer Split 28x 96 Yel Zinc

KEY NO.	PART NO.	DESCRIPTION
16	121250X	Spring Cprsn 1 27 Blk Pnt
17	123976X	Nut Lock 1/4 Lge Flg Gr 5 Zinc
18	74641008	Screw SLTD Pan Hd #10-32 X 1/2
19	73951000	Nut Keps #10-32 Unf
20	4171R	Clip Insulated 11/32 Mtg Hole
21	105529X	Bolt Shoulder 5/16-18 Unc Blkz
22	73680500	Nut Crown Lock 5/16-18
23	74780814	Bolt Fin Hex 1/2-13 X 7/8 Gr 5
24	19171912	Washer 17/32 X 1-3/16 X 12 Ga
25	127018X	Bolt Shoulder 5/16-18 X 62
26	10040800	Washer Lock Hvy Hlcl Spr 1/2
27	131772	Spacer Seat
28	131771	Spacer Split

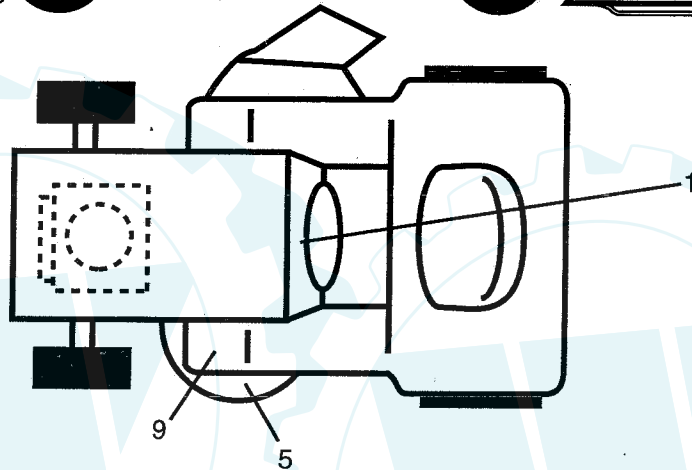
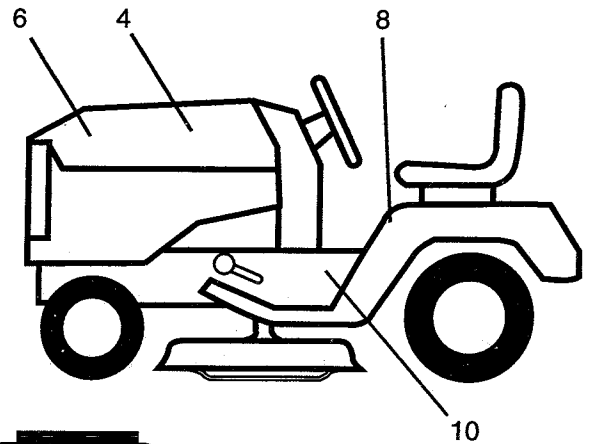
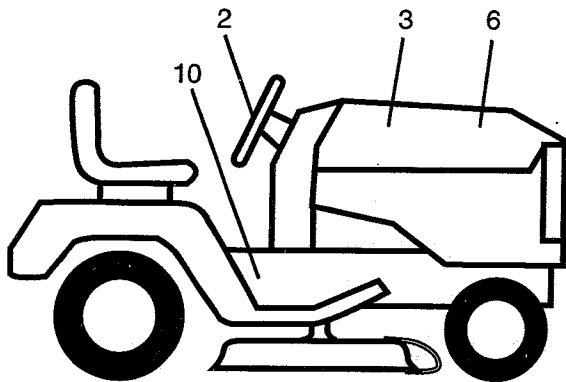
NOTE: All component dimensions given in U.S. inches
1 inch = 25.4 mm

REPAIR PARTS

www.ersatzteil-service.de

14 HP 42" TRACTOR - - MODEL NUMBER AYP7147A39

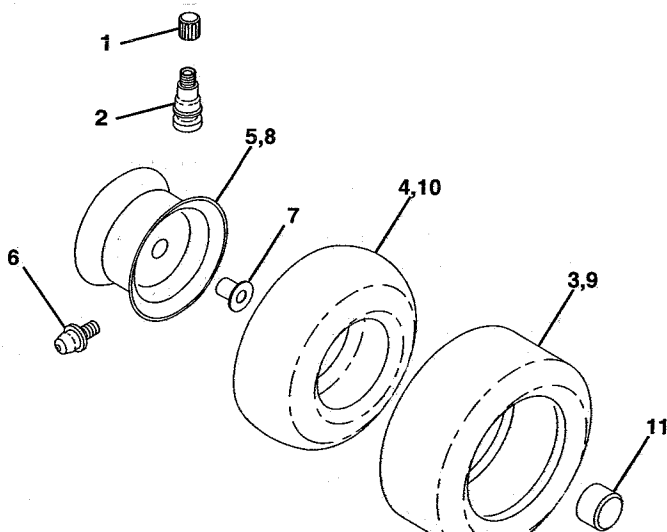
SEAT ASSEMBLY



KEY NO.	PART NO.	DESCRIPTION
1	136794	Decal Instruction Dash English
2	133870	Decal Steering Wheel Insert
3	133868	Decal Hood RH
4	133869	Decal Hood LH
5	138495	Decal Deck Mulching Wizard

KEY NO.	PART NO.	DESCRIPTION
6	133780	Name Plate Hood Wizard Large
8	133796	Decal Caution Fender English
9	4900J	Decal Clutch/brake English
10	134216	Decal Chassis 14HP 42"6sp
-	138311	Decal Handle Lft Height Adjust
-	138456	Manual Owners Ayp7147a39 Eng

WHEELS AND TIRES



KEY PART NO.	PART NO.	DESCRIPTION
1	59192	Cap Valve Tire
2	65139	Stem Valve
3	106222X	Tire F Ts 15 X 6 0 - 6 Service
4	59904	Tube Front (Service Item only)
5	106732X311	Rim Asm 6"front White Service
6	278H	Fitting Grease (Front Wheel Only)
7	9040H	Bearing Flange (Front Wheel Only)
8	106108X311	Rim Asm 8"rear White Service
9	106268X	Tire R Ts 10x 9 5-8 C Service
10	7152J	Tube Rear (Service tem Only)
11	104757X	Cap Axle Blk 1 50 X 1 00

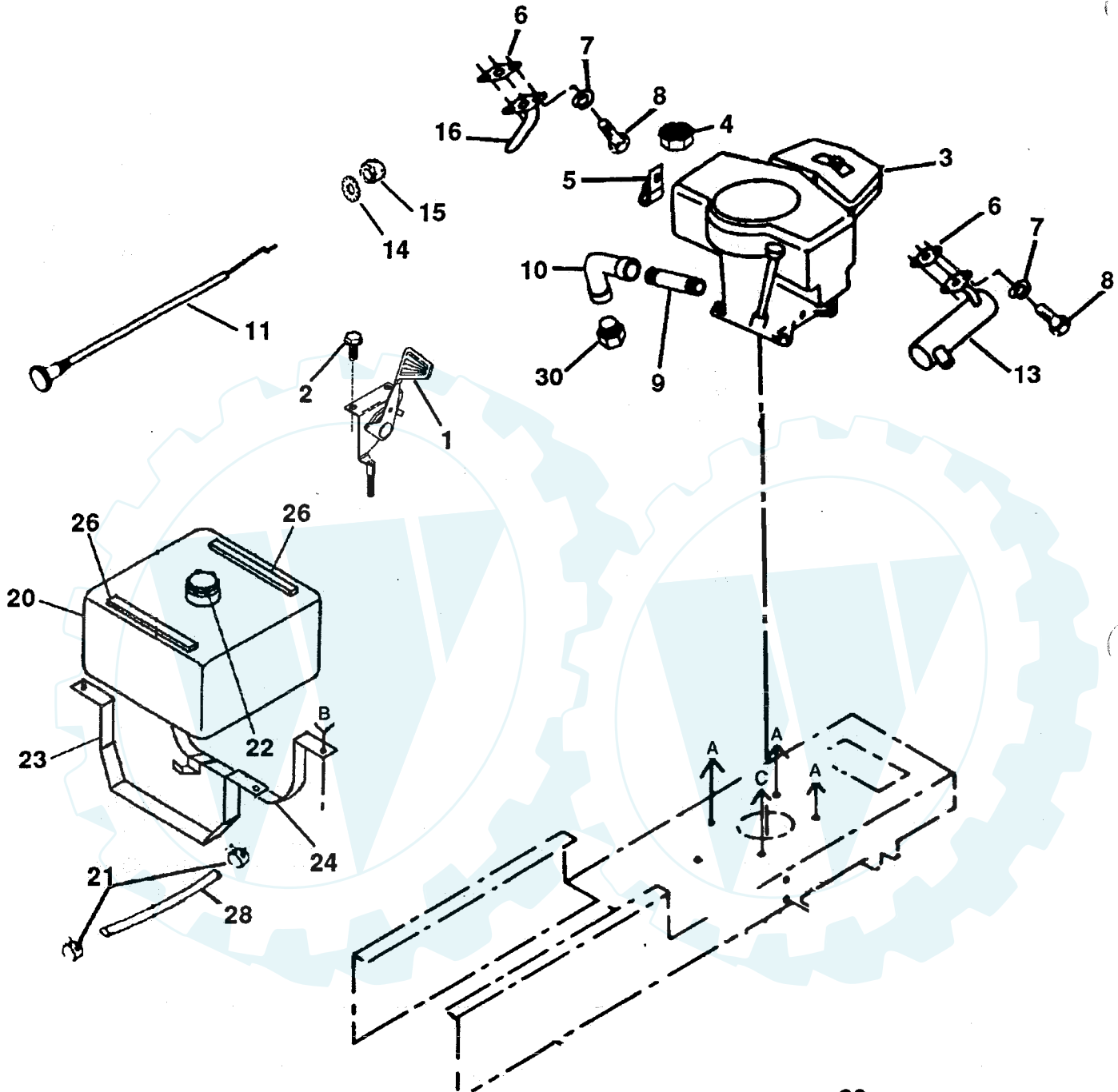
NOTE: All component dimensions given in U.S. inches
1 inch = 25.4 mm

REPAIR PARTS

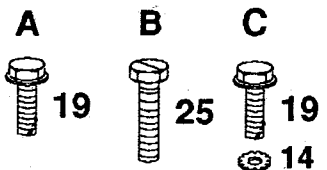
www.ersatzteil-service.de

14 HP 42" TRACTOR -- MODEL NUMBER AYP7147A39

ENGINE



29
- OPTIONAL EQUIPMENT -
SPARK ARRESTER KIT



14 HP 42" TRACTOR - - MODEL NUMBER AYP7147A39

ENGINE

KEY NO.	PART NO.	DESCRIPTION
1	132747	Control Throt RH Blk Flg 41 60
2	17720410	Screw Hex Thd Cut 1/4-20x5/8 T
3	137893	Engine B&S 14 Opp li N/ic Red
4	73510600	Nut Keps Hex 3/8-16unc
5	2751R	Clip Line Fuel 13/32 Mtg Hole
6	8545J	Gasket Muffler #272250
7	10040400	Washer Lock Hvy Helical 1/4
8	74780412	Bolt Fin Hex 1/4-20unc X 75
9	13280336	Nipple Pipe 4-1/2"
10	13200300	Elbow Std 90 Degree 3/8-18 Npt
11	132781	Control Choke 44 12 Blk W/bend
13	108373X	Muffler Exhaust B&S Opp Dom
14	11050600	Washer Lock Ext Tooth 3/8
15	73610600	Nut Fin Hex 3/8-24 Unf
16	100229L	Tube Exhuast
19	17490620	Screw Thdrol 3/8-16x1-1/4 TYTT
20	127813	Tank Fuel 1 90 Rear Natural
21	123487X	Clamp Hose Blk
22	123549X	Cap Asm Fuel W/sym Vented
23	123803X	Strap Tank Fuel Galv
24	136360	Strap Asm Fr Fuel Tank W/clip
25	17490608	Screw Thdrol 3/8-16x1/2 Ty-tt
26	126564X	Strip Foam
28	8543R	Line Fuel
29	132922	Kit Spark Arrestor 1 50
30	-	Plug Oil Drain (Order From Engine Manufacturer)

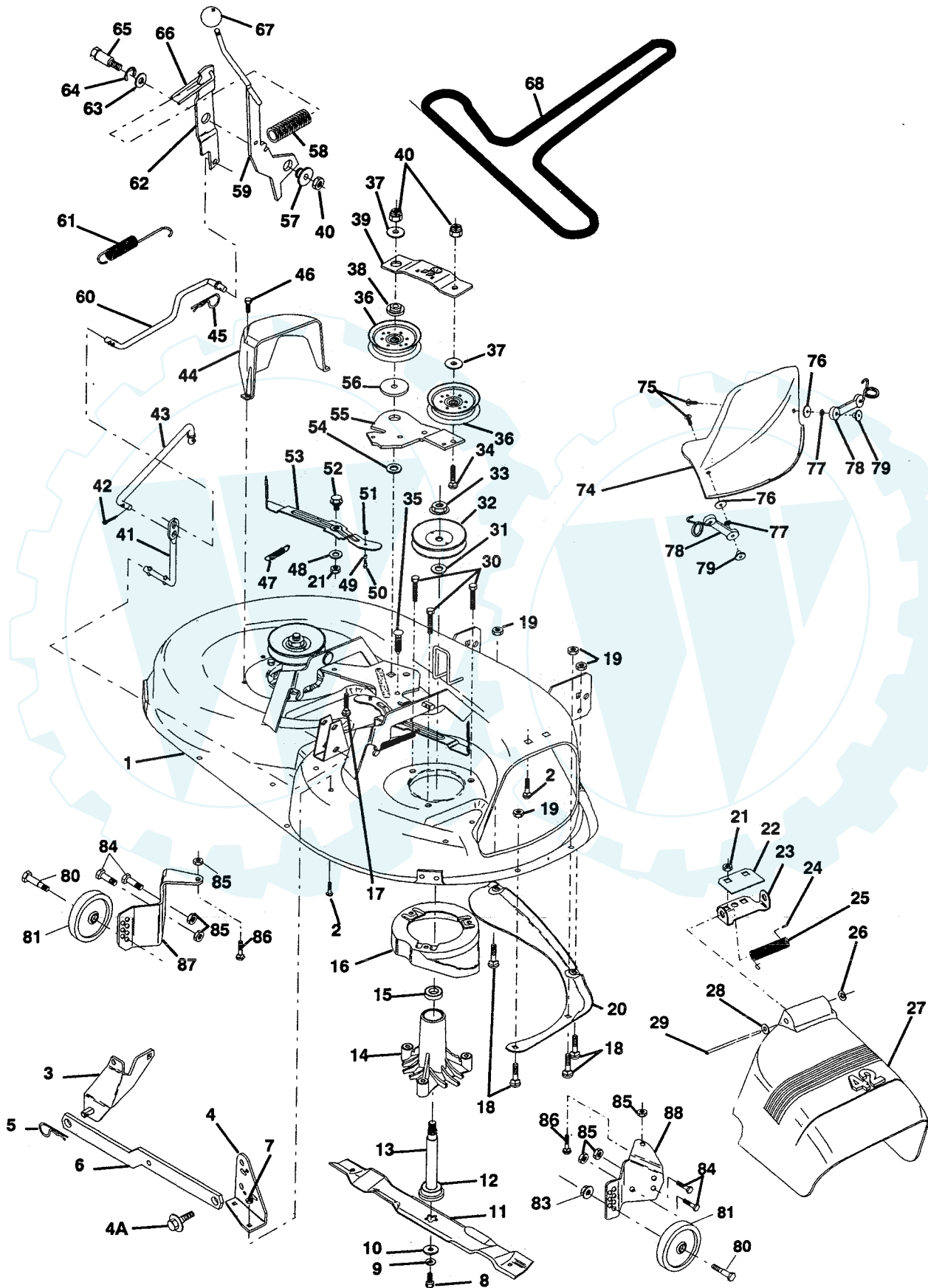
NOTE: All component dimensions given in U.S. inches
1 inch = 25.4 mm

REPAIR PARTS

www.ersatzteil-service.de

14 HP 42" TRACTOR - - MODEL NUMBER AYP7147A39

42" MOWER DECK



REPAIR PARTS

www.ersatzteil-service.de

14 HP 42" TRACTOR - - MODEL NUMBER AYP7147A39

" MOWER DECK

KEY PART NO. NO.	DESCRIPTION	KEY PART NO. NO.	DESCRIPTION		
1	138024	Mower Housing	44	134236	Guard Mandrel LH Black
2	72140506	Bolt Rdhd Sqnk 5/16-18unc X3/4	45	4497H	Spring Retainer 1" Zinc/cad
3	138017	Bracket Asm Fr Sway Bar 38/42	46	17720410	Screw Hex Thd Cut 1/4-20x5/8 T
4	138440	Bracket Deck Sway Bar 38/42	47	131335	Spring Extension
4A	132827	Bolt Shoulder 5/16-18 Thd Form	48	133944	Washer Hardened Smaller
5	4939M	Retainer Spring	49	133940	Roller Asm Cam Follower 42"dec
6	130832	Arm Suspension Rear	50	131340	Bolt Shldr 10-24 Zinc Gr 5 42"
7	73800500	Locknut-hex W/ins 5/16-18unc P	51	69180	Nut Lock #10-24 Unc
8	850857	Bolt 3/8-24x1 25 Gr8 Patched	52	105529X	Bolt Shoulder 5/16-18 Unc Blkz
9	10030600	Washer Lock Hvy 3/8 Unplated	53	131845	Arm Asm Pad Brake
10	129962	Washer Hard Blade Mower Vented	54	133943	Washer Hardened
11	134149	Blade Mulching 42"	55	133844	Arm Idler 42"mower LT/YT
12	129895	Bearing Ball #6204 (Mandrel)	56	122052X	Spacer Retainer Pm Mower
13	137645	Shaft Asm W/lower Bearing	57	127498	Bushing 747 Od X 794 Lg Brass
14	128774	Housing Mandrel Vented(machd)	58	128759	Spring Clutch Mower 2 750 Zinc
15	110485X	Bearing Ball Mandrel	59	138003	Lever Asm Clutch Primary Yp
16	136929	Stripper Mower Vented	60	134666	Rod Clutch Primary 38/42
17	72110618	Bolt Rdhd Sqnk 3/8-16 X 2-1/4	61	131870	Spring Return
18	72140505	Bolt Rdhd Sqnk 5/16-18 X 5/8	62	127847	Arm Clutch Secondary
19	73800500	Locknut-hex W/ins 5/16-18unc P	63	121748X	Washer 25/32 X 1-5/8 X 16 Ga
20	136888	Baffle Vortex 42	64	12000029	Ring Klip #t5304-75
21	73680500	Nut Crown Lock 5/16-18	65	128903	Bolt Shoulder 3/8-16 Unc 1 44
22	134753	Stiffener Bracket 42"deck	66	127845	Keeper Spring 4 000
23	131267	Bracket Deflector Mower 42"	67	132044	Cover Handle Round Black 5 25
24	105304X	Cap Sleeve 80x 112 Blk Mower	68	130969	V-Belt Mower 42" 92 40
25	123713X	Spring Torsion Deflector 2 52	74	136420	Cover Mulching 42"black
26	110452X	Nut Push Phos & Oil	75	71161010	Screw
27	130968	Shield Deflector Mower 42" Blk	76	19061216	Washer #10
28	19111016	Washer 11/32 X 5/8 X 16 Ga	77	10071000	Washer Lock #10
29	131491	Rod Hinge 42"6 75 Wlg	78	130758	Latch Asm Bagger
30	78158	Bolt 5/16-18 X 1 25 T/t	79	2029J	Nut Weld
31	129963	Washer Spacer Mower Vented	80	133814	Bolt Shoulder Blk Zinc 42"deck
32	129861	Pulley Mandrel 42"	81	133957	Wheel Gage Donut
33	137266	Nut 9/16top Lock Flng	83	73980600	Nut Crownlock 3/8-16 Unc Blk
34	72110614	Bolt Rdhd 3/8-16uncx1-3/4 Gr5	84	74760512	Bolt Hex Hd 5/16-18unc X 3/4
35	133835	Fastener Christmas Tree	85	73510500	Nut Keps 5/16-18 Unc
36	131494	Pulley Idler Flat 3 060	86	72110504	Bolt Carr 5/16-unc X 1/2
37	19131612	Washer 13/32 X 1 X 12 Ga	87	132263	Bracket Gage Wheel LH 42"deck
38	133502	Spacer Arm Idler Upper Hdn 42"	88	132262	Bracket Gage Wheel RH 42"deck
39	133503	Stiffener Arm Idler Upper 42"	-	130794	Mandrel Asm Service (Includes Key Nos. 8-10, 12-15, 31 and 33)
40	73680600	Nut Crownlock 3/8-16 Unc	-	138357	Deck-Service (Complete, Std. Deck Order separately mulcher blade, mulcher plate and gauge wheel components Key Nos. 11 and 74-88)
41	133551	Rod Pivot W/nibs			
42	76020312	Pin Cotter 3/32 X 3/4 Cad			
43	133504	Rod Clutch Secondary W/nibs			

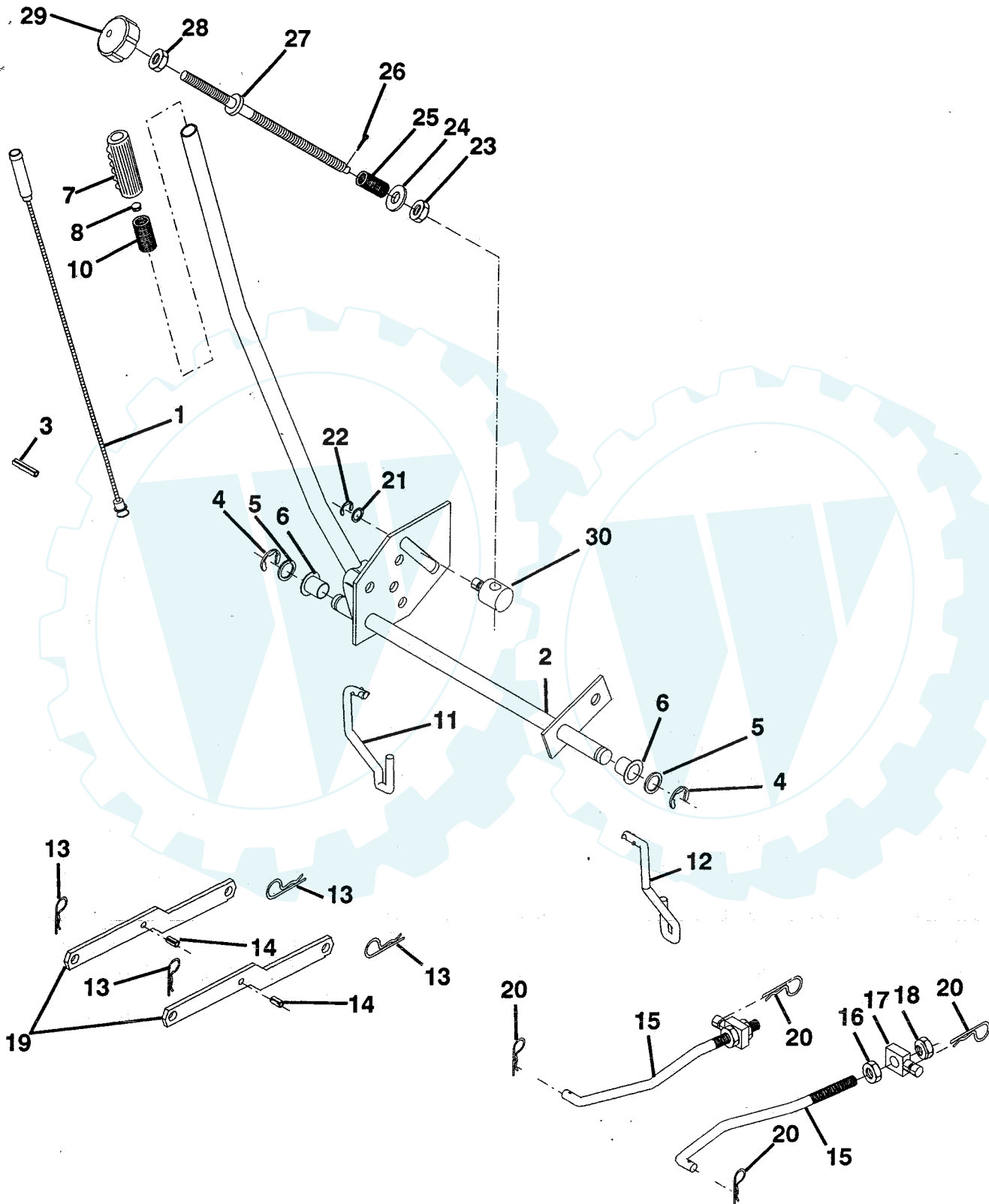
NOTE: All component dimensions given in U.S. inches
1 inch = 25.4 mm

REPAIR PARTS

www.ersatzteil-service.de

14 HP 42" TRACTOR - - MODEL NUMBER AYP7147A39

LIFT.



REPAIR PARTS

www.ersatzteil-service.de

14 HP 42" TRACTOR - - MODEL NUMBER AYP7147A39

IFT

KEY PART NO.	NO.	DESCRIPTION
1	136973	Wire Asm Inner W/plunger 17 32
2	137111	Shaft Asm Lift 93 LH Lift
3	138284	Pin Groove
4	12000002	E Ring #5133-62
5	19211416	Washer 21/32 X 7/8 X 16 Ga
6	120183X	Bearing Nylon Blk 629 Id
7	109413X	Grip Handle Bicycle Matte Blk
8	124526X	Button Plunger Black
10	122512X	Spring Cprsn 3 750 Oiled
11	134619	Link Lift LH Fixed Length
12	135388	Link Lift RH Fixed Length
13	4939M	Retainer Spring
14	135563	Pin Roll SLT 5/16 X 1 25 Blk O
15	127218	Link Front
16	73350800	Nut Jam Hex 1/2-13 Unc
17	130171	Trunnion Blk Zinc
18	73800800	Nut Lock W/wsh 1/2-13unc
19	130832	Arm Suspension Rear
20	3146R	Retainer Spring
21	19151216	Washer 15/32 X 3/4 X 16 Ga.
22	12000037	Ring Klip # T5304-37
23	110807X	Nut Special
24	19131016	Washer 13/32 X 5/8 X 16 Ga.
25	2876H	Spring 2-1/8"
26	76020308	Pin Cotter 3/32 X 1/2
27	110729X	Rod Adjust Lift
28	73350600	Nut Hex Jam 3/8 -16
29	138057	Knob Infinite 3/8 - 16
30	110810X	Trunnion Dp Stop

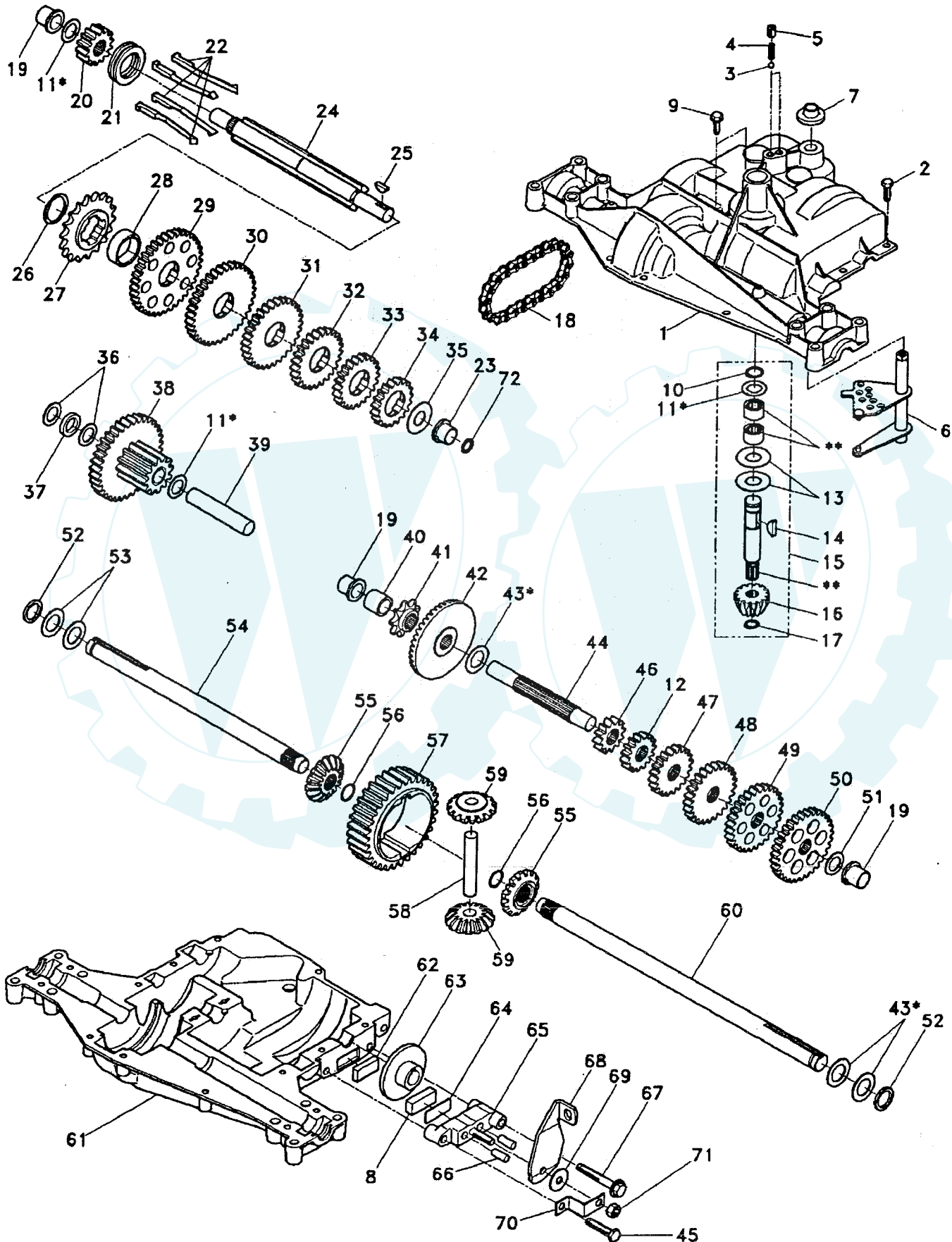
NOTE: All component dimensions given in U.S. inches
1 inch = 25.4 mm

REPAIR PARTS

www.ersatzteil-service.de

14 HP 42" TRACTOR - - MODEL NUMBER AYP7147A39

DANA TRANSAXLE - MODEL NUMBER 4360-55



REPAIR PARTS

14 HP 42" TRACTOR - - MODEL NUMBER AYP7147A39

MANA TRANSAXLE - MODEL NUMBER 4360-55

KEY PART NO.	NO.	DESCRIPTION	KEY PART NO.	NO.	DESCRIPTION
1	5305	Housing, Upper	41	3645	Sprocket, 9 Teeth
2	1919	Screw, Self-Tapping, Large 1/4-20 x .734	42	3589	Gear, Bevel, 42 Teeth
3	5112	Ball, Detent	43	4691	* Assembly, Kit, Shim .750 Shaft
4	3626	Spring, Detent	44	3882	Shaft, Drive
5	3623	Screw, Set	45	3724	Screw, Self-Tapping, Large 5/16-18 x 1.44
6	4604	Kit, Shifter Assembly	46	3646	Gear, Spur, 12 Teeth
7	5024	Boot, Shifter	47	3866	Gear, Spur, 20 Teeth
8	3907	Puck, Friction	48	3719	Gear, Spur, 25 Teeth
9	5131	Screw, Self-Tapping, with Sealer	49	3868	Gear, Spur, 28 Teeth
10	1099	Ring, Retaining	50	3683	Gear, Spur, 31 Teeth
11	4689	* Assembly, Kit, Shim, .625 Shaft	51	1145	Washer, Plain .632 x 1.00 x .060
12	3707	Gear, Spur, 15 Teeth	52	5130	Washer, Neoprene
13	3876	Washer, Plain .632 x 1.38 x .046	53	3184	Washer, Plain .758 x 1.25 x .031
14	1374	Key, Woodruff, #9	54	3880	Axle, L.H.
15	4171	Assembly, Kit, Input Shaft	55	3871	Gear, Miter, 15 Teeth
16	3725	Pinion, Bevel, 14 Teeth	56	3656	Ring, Retaining
17	3624	Ring, Retaining	57	3839	Gear, Spur, 32 Teeth
18	3625	Chain, 24 Pitches	58	3919	Shaft, Cross
19	1542	Bearing, Flange	59	3726	Gear, Miter, 15 Teeth
20	5280	Gear, Spur, 14 Teeth	60	3881	Axle, R.H.
21	5303	Collar, Clutch	61	5304	Housing, Lower
22	4760	Assembly, Kit, Clutch Keys	62	3920	Puck, Friction
23	5278	Bearing, Flange	63	3276	Disc, Brake
24	5299	Shaft, Intermediate	64	3758	Spacer
25	1375	Key, Woodruff, #61	65	3916	Jaw, Brake
26	3627	Ring, Retaining	66	3843	Pin, Dowel
27	3830	Sprocket, 18 Teeth	67	5120	Screw, Self-Tapping, Large 5/16-18 x 2.25
28	3841	Spacer	68	5285	Lever, Actuating
29	3786	Gear, Spur, 37 Teeth	69	3760	Washer, Plain .321 x 1.00 x .055
30	3785	Gear, Spur, 35 Teeth	70	3917	Bracket, Anti-Rotation
31	3867	Gear, Spur, 30 Teeth	71	3847	Locknut 5/16-24
32	3783	Gear, Spur, 25 Teeth	72	5279	Square Ring
33	3869	Gear, Spur, 22 Teeth	73	4300	Grease
34	5202	Gear, Spur, 19 Teeth			
35	3628	Washer, Plain .640 x 1.37 x .061			
36	1423	Washer, Plain .632 x 1.00 x .026			
37	3422	Spacer .630 x 1.00 x .169			
38	4286	Assembly, Gear, Combination of 12 Teeth and 35 Teeth			
39	3967	Shaft, Idler			
40	3901	Spacer .633 x .87 x .755			

* Use in combinations to maintain proper clearances

** Order Key No. 15

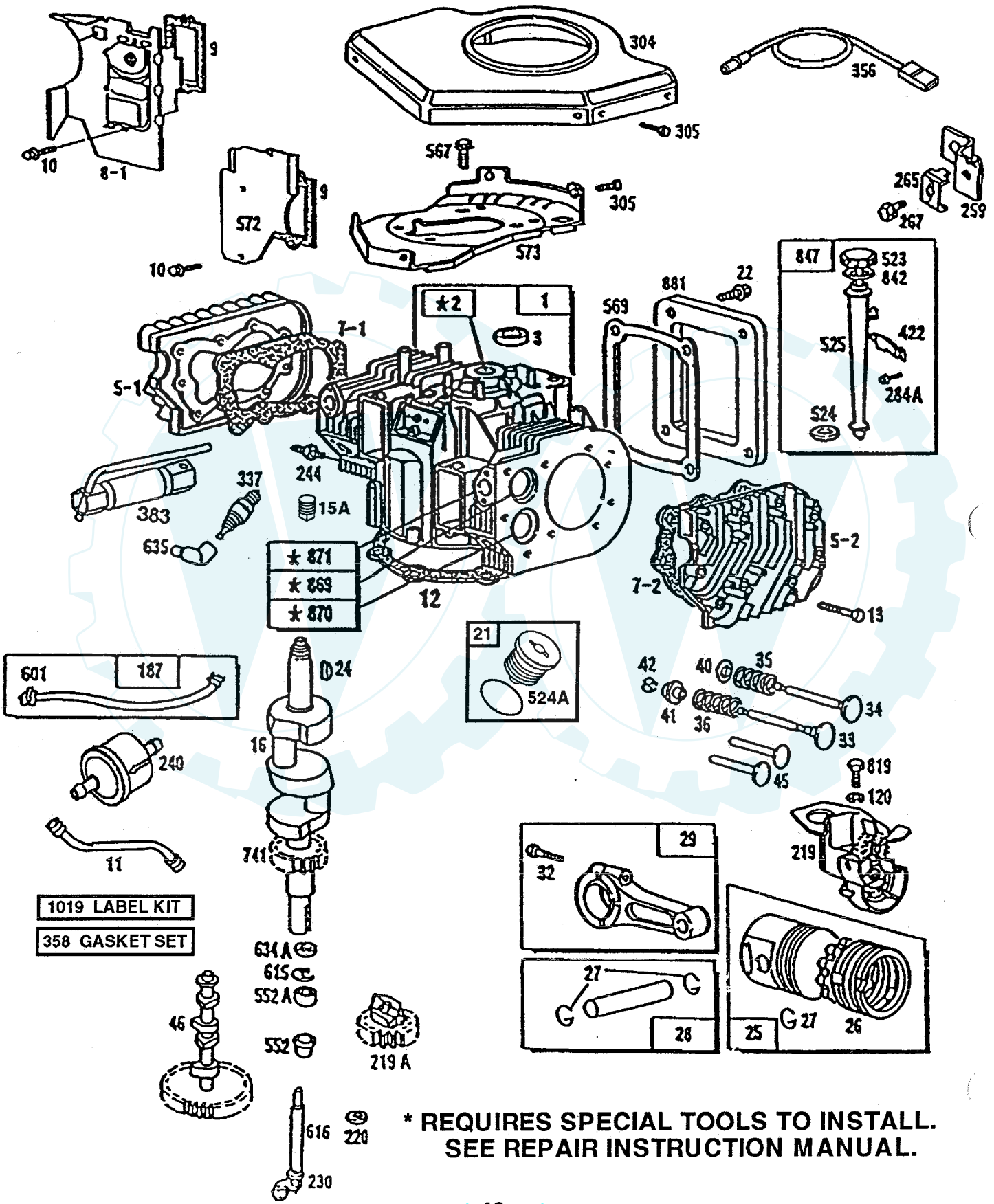
NOTE: All component dimensions given in U.S. inches
1 inch = 25.4 mm

REPAIR PARTS

www.ersatzteil-service.de

14 HP 42" TRACTOR - - MODEL NUMBER AYP7147A39

BRIGGS AND STRATTON ENGINE - MODEL NUMBER 400707, TYPE NUMBER 1520-03



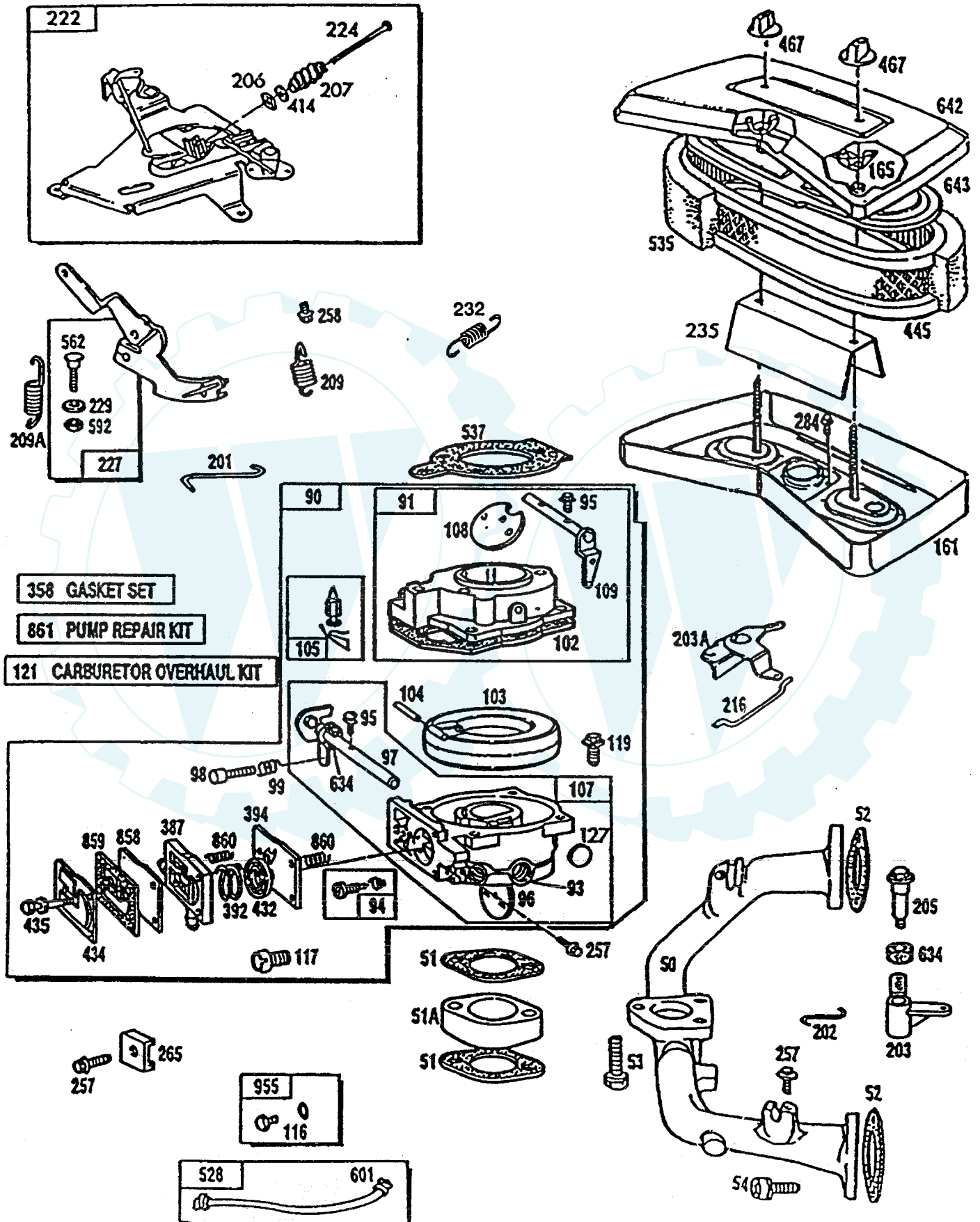
* REQUIRES SPECIAL TOOLS TO INSTALL.
SEE REPAIR INSTRUCTION MANUAL.

REPAIR PARTS

www.ersatzteil-service.de

14 HP 42" TRACTOR -- MODEL NUMBER AYP7147A39

RIGGS AND STRATTON ENGINE - MODEL NUMBER 400707, TYPE NUMBER 1520-03

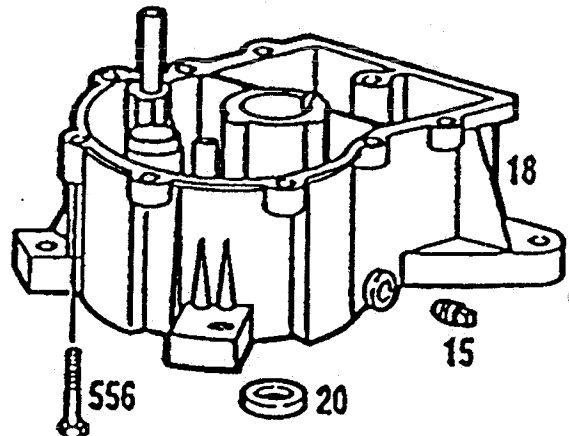
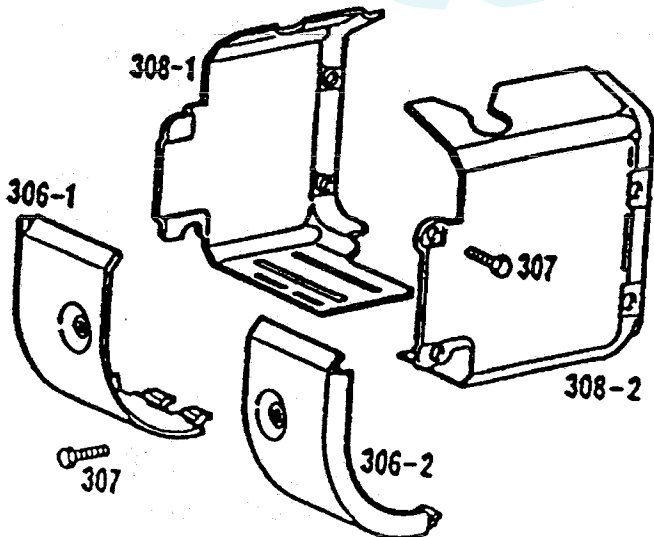
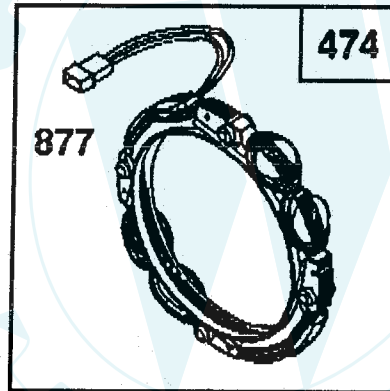
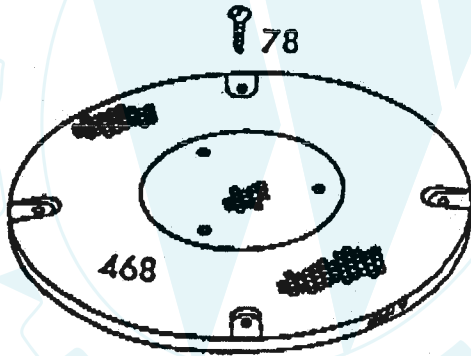
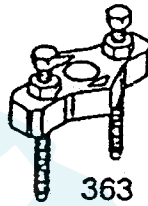
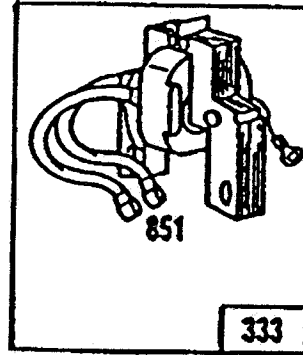
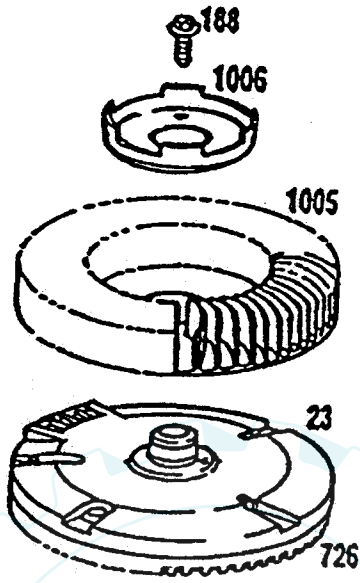


REPAIR PARTS

www.ersatzteil-service.de

14 HP 42" TRACTOR - - MODEL NUMBER AYP7147A39

BRIGGS AND STRATTON ENGINE - MODEL NUMBER 400707, TYPE NUMBER 1520-03

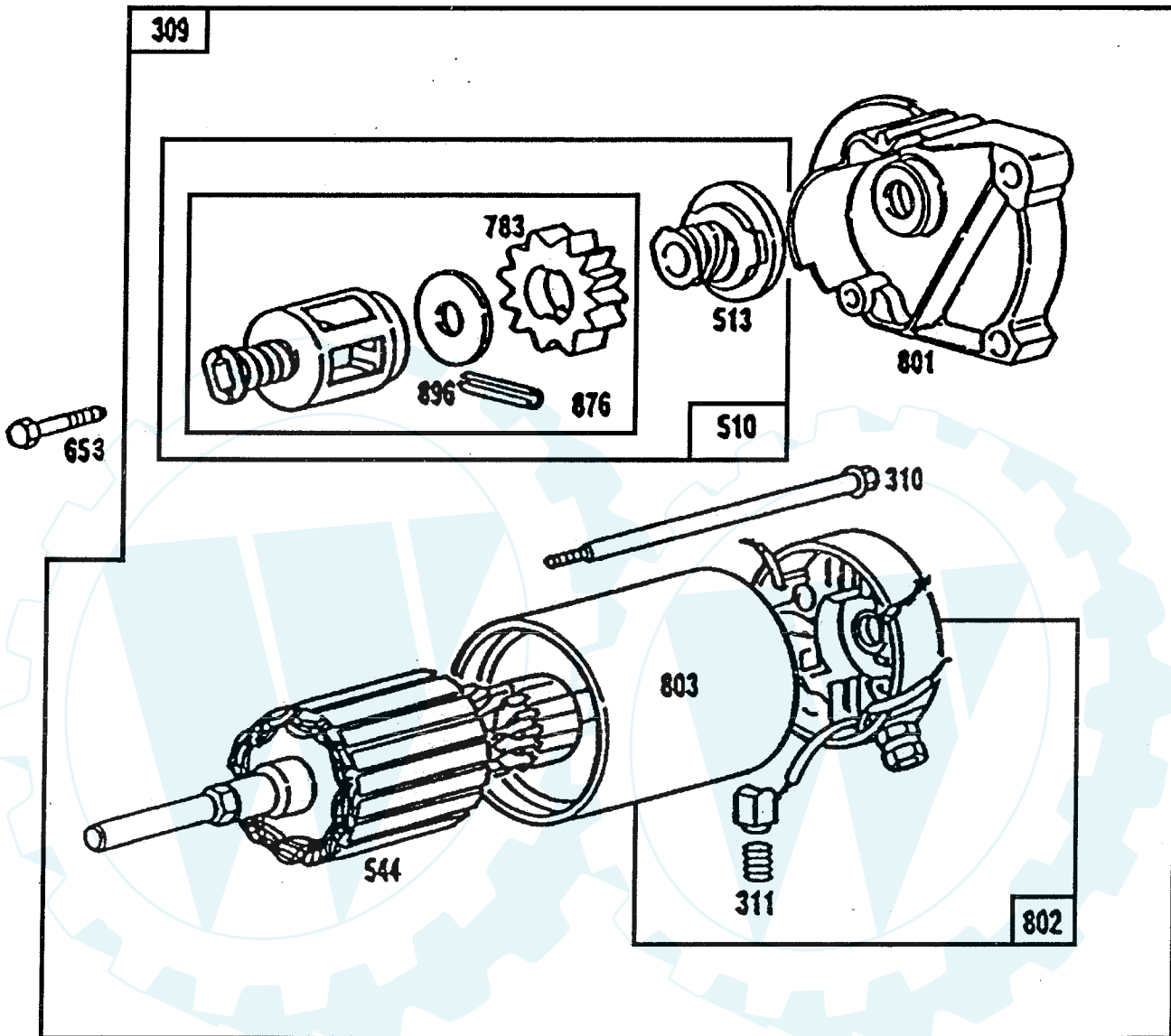


REPAIR PARTS

www.ersatzteil-service.de

14 HP 42" TRACTOR - - MODEL NUMBER AYP7147A39

RIGGS AND STRATTON ENGINE - MODEL NUMBER 400707, TYPE NUMBER 1520-03



Reference Number		309	310	311	544	801	802	803
Manufacturer		Motor and Drive Ass'y.	Thru Bolt Assembly	Brush Assembly	Armature Assembly	Drive End Cap Assembly	End Cap Ass'y. Commutator	Housing Assembly
Briggs & Stratton	Housing Length							
12V	3-5/8"	394808	94003	395538	390837	394860	395537*	393825

*Includes Brush Set

Reference Number	510	513	783	876	896
Starter Motor Mfr.	Starter Drive Group	Clutch Assembly	Gear	Pinion Spring Kit	Roll Pin
B & S or United Tech.					
12V	490421	398003	280104	490467	94288 (Copper)

REPAIR PARTS

www.ersatzteil-service.de

14 HP 42" TRACTOR - - MODEL NUMBER AYP7147A39

BRIGGS AND STRATTON ENGINE - MODEL NUMBER 400707, TYPE NUMBER 1520-03

KEY PART NO.	NO.	DESCRIPTION	KEY PART NO.	NO.	DESCRIPTION
1	494533	Cylinder Assembly	50	213290	Manifold Assembly, Intake
2	399265	Bearing, Cylinder	51	271412	*** Gasket, Carburetor & Intake Elbow
3	391086	Seal, Oil	51A	280319	Spacer, Carburetor
5-1	493457	Head, Cylinder #1	52	270884	* Gasket, Intake Manifold Mounting
5-2	493458	Head, Cylinder #2	53	93970	Screw, Hex Head (Carburetor to Manifold)
7-1	271867	* Gasket, Cylinder Head #1	54	93208	Screw, Sems, Intake Manifold Mtg.
7-2	271868	* Gasket, Cylinder Head #2	75	222511	Washer, Spring
8-1	495754	Breather Assembly #1	78	94326	Screw, Sems
8-2	222892	Cover, Breather Cylinder #2 (Used only on Key Number 572 Air Baffle with Holes for Mounting)	90	495026	Carburetor Assembly (Remote Choke)
9	27803	* Gasket, Valve Cover	91	494054	Body Assembly, Upper Carburetor
10	94382	Screw, Sems	93	231209	Bushing, Throttle Shaft
11	280225	Tube, Breather	94	491538	** Valve Assembly, Carburetor Idle
12	271142	* Gasket, Crankcase Cover 1/64"	95	93499	Screw, Sems, Throttle and Choke Valve Mounting
	271188	* Gasket, Crankcase Cover .005"			Valve, Throttle
	271189	* Gasket, Crankcase Cover .009"	96	223370	Shaft and Lever, Throttle
13	94565	Screw, Cylinder Head	97	392672	Screw, Machine, Fillister Head
15	94239	Plug, Oil Drain	98	91920	Spring, Throttle Adjustment
15A	94497	Plug, Pipe	99	26157	** Gasket, Carburetor Body
16	393382	Crankshaft	102	271609	Float, Carburetor
	94196	Key, Timing Gear Retaining Device	103	298514	** Pin, Float Hinge
18	493304	Base Assembly, Crankcase	104	230896	** Valve, Fuel Inlet
20	291675	Seal, Oil	105	394683	Body, Lower Carburetor
21	399195	Seal Assembly, Cylinder Plug	107	491531	Valve, Choke
22	93882	Screw, Sems	108	223534	Shaft and Lever, Choke
23	491180	Flywheel and Ring Gear Assembly, Magneto	109	392673	O-Ring
24	222698	Key, Flywheel	116	280474	Jet, Needle Valve, Fixed
25	394955	Piston Assembly, Standard	117	231339	Screw, Sems, Hex Head
	394956	Piston Assembly .010" Oversize	119	94152	Washer, Lock
	394957	Piston Assembly .020" Oversize	120	92290	Carburetor Overhaul Kit
	394958	Piston Assembly .030" Oversize	121	491539	Plug, Weich
26	394959	Ring Set, Piston, Standard	127	223472	Body, Air Cleaner
	394960	Ring Set, Piston .010" Oversize	161	398826	Nut, Wing
	394961	Ring Set, Piston .020" Oversize	165	94289	Line, Fuel, 28" (Cut to Suit)
	394962	Ring Set, Piston .030" Oversize	187	299146	Screw, Sems
27	260924	Lock, Piston Pin	188	93535	Link, Governor
28	299691	Pin Assembly, Piston, Standard	201	262683	Link, Throttle
	391286	Pin Assembly, Piston .005" Over	202	262684	Crank, Bell
29	393270	Rod Assembly, Connecting	203	280997	Crank, Bell
	393714	Connecting Rod, .020" Undersize Crankpin Bore	203A	490207	Screw, Hex Head
32	94671	Screw, Connecting Rod	205	93971	Nut, Square
33	390419	Valve, Exhaust	206	94298	Spring, Compression
34	261528	Valve, Intake	207	262337	Spring, Governor
35	65906	Spring, Intake Valve	209	262352	Spring, Governor Idle
36	26828	Spring, Exhaust Valve	209A	261563	
40	221596	Retainer, Intake Valve			* Included in Gasket Set (491856)
41	292260	Rotocoil, Exhaust Valve			** Included in Carburetor Overhaul Kit (491539)
42	93630	Retainer, Exhaust Valve			*** Included in both Gasket Set (491856) and Carburetor Overhaul Kit (491539)
		Rotocoil (2)			
45	261368	Tappet, Valve			
46	213421	Gear, Cam			

NOTE: All component dimensions given in U.S. inches
1 inch = 25.4 mm

REPAIR PARTS

www.ersatzteil-service.de

14 HP 42" TRACTOR - - MODEL NUMBER AYP7147A39

RIGGS AND STRATTON ENGINE - MODEL NUMBER 400707, TYPE NUMBER 1520-03

KEY PART NO.	NO.	DESCRIPTION	KEY PART NO.	NO.	DESCRIPTION
216	262375	Link	524	271157	Seal, Filler Tube
219	393415	Oil Slinger Assembly	524A	271485	Seal, Tube
219A	394348	Gear, Governor	525	280224	Tube, Oil Filler
220	222773	Washer, Thrust	528	393815	Impulse Line and Clamp Assembly
222	491282	Bracket, Speed Control	535	271271	Element, Air Cleaner
224	94297	Screw, Pan Head	537	271411	*** Gasket, Air Cleaner
227	491297	Lever Assembly, Governor	552	262332	Lower Bushing, Governor
229	222289	Washer	552A	262331	Upper Bushing, Governor
230	223882	Washer, Governor Crank (Inside)	556	93585	Screw, Sems, Hex Head
232	262539	Spring, Backlash	562	93853	Boit, Governor Lever
235	224039	Shield, Spitback	567	93777	Screw, Hex Head (Back Plate to Cylinder)
240	493629	Filter, Fuel (In Fuel Line to Tank)	569	272062	* Gasket, Crankcase
244	230318	Connector, Impulse Pump	572	224580	Baffle, Air, Cylinder #2
257	93897	Screw, Sems	573	491304	Back Plate Assembly
258	93949	Screw, Sems	592	92278	Nut, Hex
259	223890	Bracket, Cable	601	93053	Clamp, Fuel Line
265	221535	Clamp, Casing	615	94296	Retainer, E-Ring
267	93496	Screw, Hex Head	616	491530	Crank, Governor
284	94264	Screw, Hex Head	634	271013	** Washer, Throttle Shaft
284A	93469	Screw, Hex Head	634A	491287	Seal, Governor Shaft
304	492656	Housing, Blower	635	66538	Elbow, Spark Plug
305	94608	Screw, Sems 1/2"	642	223579	Cover, Air Cleaner
	94513	Screw, Sems 3/4"	643	223714	Cartridge Plate, Air Cleaner
306-1	222846	Shield, Cylinder	653	93585	Screw, Hex Head
306-2	223734	Shield, Cylinder	726	391362	Gear, Flywheel Ring (Includes Mounting Parts)
307	94386	Screw, Sems	741	262694	Gear, Timing
308-1	222848	Cover, Air Guide	819	93686	Screw, Hex Head
308-2	222849	Cover, Air Guide	842	271170	Seal, Oil Filler Cap
309	---	Motor, Starting (See Chart for Starting Motor Replacement Parts)	847	394394	Dipstick and Tube Assembly
332	230674	Nut, Hex	851	221798	Terminal, Ignition Cable
333	394891	Armature Group (MAGNETRON™ Ignition)	858	270989	*** Diaphragm, Damping
334	93381	Screw, Sems, Armature Mounting	859	271025	*** Gasket, Carburetor Pump
337	802592	Plug, Spark, Resistor	860	261358	*** Spring (2)
356	494705	Wire, Ground	861	393397	Repair Kit, Pump
358	491856	Gasket Set	869	261463	Seat, Intake Valve, Standard
363	19203	Puller, Flywheel (Optional Accessory)	870	213316	Seat, Exhaust Valve, Standard
383	89838	Wrench, Spark Plug	871	261961	Guide, Exhaust Valve (Only)
387	280197	Body, Pump		231218	Guide, Intake, Brass (See Repair Manual)
392	261395	*** Spring, Pump	877	393456	Connector Assembly
394	270988	*** Diaphragm	881	222860	Cover Plate, Crankcase
414	223882	Washer	955	397882	Plug and Seal, Solenoid
422	222875	Clamp, Oil Filler	1005	280815	Fan, Flywheel
432	221377	*** Cap, Spring	1006	224413	Retainer, Fan
434	223688	Cover, Diaphragm	1019	491260	Label Kit
435	93829	Screw, Diaphragm Cover			
445	394019	Cartridge, Air Cleaner			
467	493903	Knob, Air Cleaner			
468	224521	Screen, Flush Rotating			
474	393474	Stator, Alternator			
482	93621	Screw, Sems			
493	494947	Cap and Dipstick, Oil Filler			

* Included in Gasket Set (491856)
 ** Included in Carburetor Overhaul Kit (491539)
 *** Included in both Gasket Set (491856) and Carburetor Overhaul Kit (491539)

NOTE: All component dimensions given in U.S. inches
 1 inch = 25.4 mm