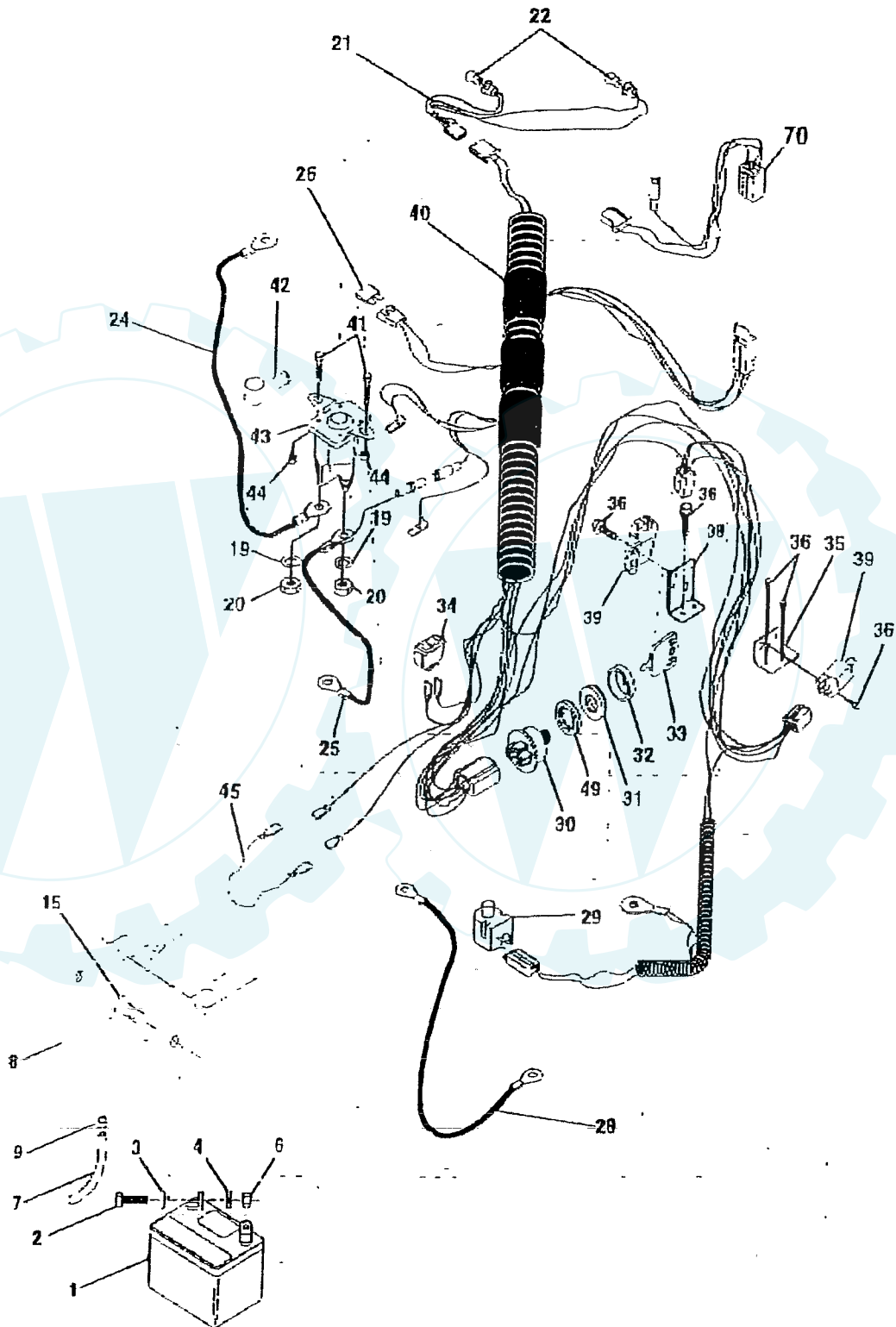


TRACTOR -- MODEL NUMBER AYP7124C59

ELECTRICAL

001

→ DIXIE FHP



06/23/99 10:14 FAX

TRACTOR - - MODEL NUMBER AYP7124C59

ELECTRICAL

KEY NO.	PART NO.	DESCRIPTION
1	144925	Battery 12 Volt 25 Amp w/acid
2	74760412	Bofl Hex Hd 1/4-20unc X 3/4
3	19091016	Washer 9/32 X 5/8 X 16 Ga
4	10040400	Washer Lock Hvy Helical 1/4
6	73220400	Nut Fin Hex 1/4-20 Unc
7	109238X	Tube Plastic 12"
8	144940	Case Battery W/2 Holes
9	109596X	Clamp Hose Olive
15	147688	Fastener Snap-In
19	10090400	Washer Lock 1/4
20	73350400	Nut Jam Hex 1/4-20 Unc
21	136850	Harness Asm Lighl W/4 152j
22	4152J	Bulb Light #1156
24	4789J	Cable Battery 6 Ga 11"red
25	146147	Cable Battery 6 Ga red w/16 wire
26	108824X	Fuse 30 AMP Auto Green
28	4207J	Cable Ground 6 Ga 12"black
29	121305X	Switch Plunger Nc Gray
30	144921	Switch Ign 3 pos
31	140400	Nut Ignition
32	141226	Cover Sw Key Blk 1 25 Text SLT
33	140402	Key Ign
34	110712X	Switch Light Blk Blk Red
35	108236X	Bracket Switch Clutch
36	17021008	Screw Tap Hex #10-24unc X 1/2
38	140336	Bracket Switch Interlock
39	109553X	Switch Intlk Clutch Gry 4 Term
40	146057	Harness Ign Dash LT IPC MCH 85
41	71110408	Bofl Blk Fin Hex 1/4-20 x 1/2
42	131563	Cover Terminal Red
43	145673	Solenoid
44	73640400	Nut Keps Blk Hex 1/4-20 Unc
45	140844	Adapler Ammeter Rectangular
49	11151000	Washer Lock Internal Tooth 5/8
70	140413	Harness Eng Briggs/Tec Dual

NOTE: All component dimensions given in U. S. inches
1 inch = 25.4 mm

REPAIR PARTS

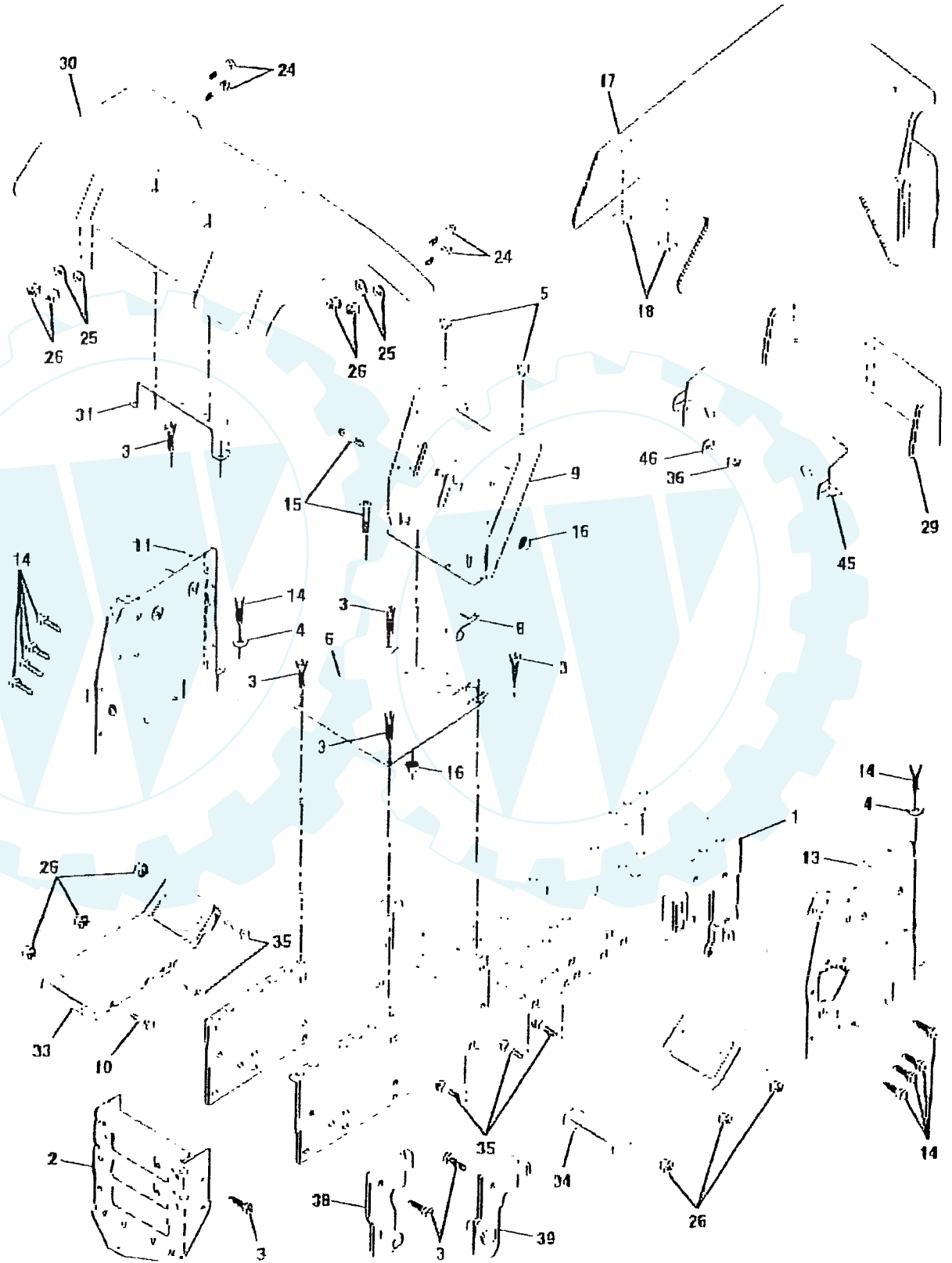
TRACTOR -- MODEL NUMBER AYP7124C59

CHASSIS AND ENCLOSURES

002

→ Dixie FHP

06/23/99 10:14 FAX



REPAIR PARTS

www.ersatzteil-service.de

TRACTOR -- MODEL NUMBER AYP712, C59

CHASSIS AND ENCLOSURES

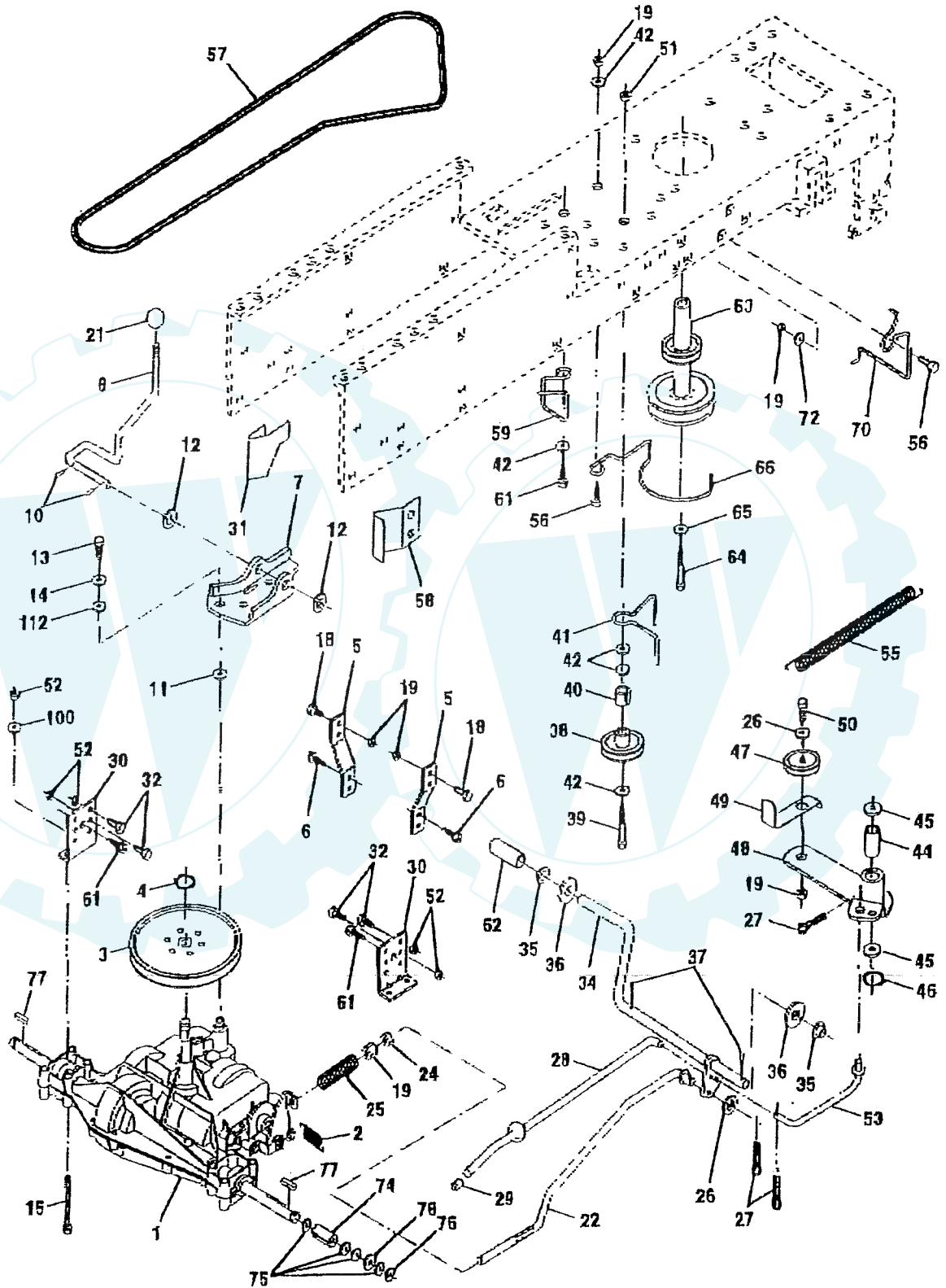
KEY NO.	PART NO.	DESCRIPTION
1	145501	Chassis Widmt Hgu 1995
2	140356	Drawbar
3	17490612	Screw Thrdnt 3/8-16x3/4 Ty-II
4	19131216	Washer 13/32 X 3/4 X 16 Ga
5	146077	Bumper Snap-In
6	145208X014	Saddle Silkscreen
8	126471X	Clip Insulator Mig Hole
9	146757X011	Dash 1-pc LT
10	72140608	Bolt Rdhd Sqnk 3/8-16unc X 1
11	135464	Panel Dash LH
13	124031X012	Panel Dash RH Weldment
14	17490608	Screw Thrdnt 3/8-16x1/2 Ty-II
15	74190512	Screw Mach TRHD 5/16-18uncx3/4
16	73510508	Nut Keys 5/16 18 Unc
17	133956X505	Hood/galle Asm Pnt Welded
18	126938X	Bumper Hood
24	74780616	Bolt Fin Hex 3/8-16unc X 1
25	19131312	Washer 13/32 X 13/16 X 12 Ga
26	73800608	Nut Crownlock 3/8-16 Unc
29	133005	Lens Grille III Bar Clear
30	109072X505	Fender Pnt LT W/ Shift(red)
31	136619	Bracket Fender Repl 109073x
33	105476X505	Footrest Pnt LH Ms-505
34	105475X505	Footrest Pnt RH Ms-505
35	72110606	Bolt Rdhd Shl Sqnk 3/8-16 X3/4
36	100067X	Nut Pal
38	139886	Bracket Asm LH MWR Rear
39	139887	Bracket Asm RH MWR Rear
45	132257	Bezel Light U
46	127316X	Retainer
--	5479J	Plug Button Blk 359 Dia Choke

NOTE: All component dimensions given in U. S. inches
1 inch = 25.4 mm

DRIVE

0003

→ Dixie FHP



06/23/99 10:15 FAX

REPAIR PARTS

www.ersatzteil-service.de

TRACTOR -- MODEL NUMBER AYP7124C5

DRIVE

KEY NO.	PART NO.	DESCRIPTION	KEY NO.	PART NO.	DESCRIPTION
1	142594	Transaxle 4 Sp Dana Model Number 4360-77	41	109070X	Keeper Belt Retainer
2	146682	Spring Return Brake	42	19131312	Washer 13/32 X 13/16 X 12 Ga
3	123666X	Pulley Transaxle	44	105706X	Bearing Nyl 503 X 628 X 1 25
4	12000028	Ring Retainer	45	110812X	Washer Hardened
5	121520X	Strap Torque 30 Degrees	46	12000039	Ring Klip #t5304-50
6	17490512	Screw Thdrol 5/16-18 X 3/4 TYT	47	127783	Pulley Idler V Groove Plastic
7	130802	Plate Rod Shift T/a	48	123789X	Bellcrank Asm Clutch
8	131679	Rod Shift Blk Dana	49	123205X	Retainer Bell Style Spring
10	76020416	Pin Cotter 1/8 X 1 Cad	50	74760624	Bolt Hex Hd 3/8-16unc X 1-1/2
11	105701X	Washer Plate Shl 388 Sq Hole	51	73680600	Nut Crownlock 3/8-16 Unc
12	19151216	Washer 15/32 X 3/4 X 16 Ga	52	73680500	Nut Crownlock 5/16-18
13	74550412	Bolt 1/4-28 Uni Gr 8 W/Patch	53	105710X	Link Clutch 7 66
14	10040400	Washer Lock Hvy Helical 1/4	55	105709X	Spring Return Clutch 6 75
15	74780544	Bolt Fin Hex 5/16-18 Unc x 2-3/4	56	74760620	Bolt Fin Hex 3/8-16 UNC x 1-1
18	74790616	Bolt Fin Hex 3/8-16unc X 1	57	130801	V-Bell Ground Drive
19	73800600	Nut Crownlock 3/8-16 Unc	58	127274X	Keeper Belt RH LT Pnl/zinc 16
21	106933X	Knob Ad 1/2-13 Plstc Thds Blk	59	140312	Keeper Belt Chassis Span Ctr
22	130804	Rod Brake LT	61	17490612	Screw Thdrol 3/8-16x3/4 Ty-II
24	73350600	Nut Hex Jam 3/8-16 Unc	62	8883F	Cover Pedal Blk Round
25	106888X	Spring Rod Brake 2 00 Zinc	63	140186	Engine Pulley LT/YT
26	19131316	Washer 13/32 X 13/16 X 16 Ga	64	71170764	Bolt Hex 7/16-20x4 Gr 5
27	76020412	Pin Cotter 1/8 X 3/4 Cad	65	10040700	Washer Lock Hvy Hicl Spr 7/16
28	145204	Rod Brake Parking LT/YT	66	129921	Keeper Belt Engine LH LT
29	71673	Cap Brake Parking Black	70	134683	Guide Belt Mower Drive RH
30	130807	Bracket Transmision	72	19132012	Washer 13/32 X 1-1/4 X 12 Ga
31	127275X	Keeper Belt LH LT 14 Ga	74	109502X	Spacer Axle
32	74760512	Bolt Fin Hex 5/16-18 x 3/4	75	121749X	Washer 25/32 X 1 1/4 X 16 Ga
34	149001	Shalt Asm Pedal Foot 1 930	76	12000001	E-ring #5133-75
35	120183X	Bearing Nylon Blk 629 Id	77	123583X	Key Square 2 0 X 1845/ 1865
36	19211616	Washer 21/32 X 1 X 16 Ga	78	121748X	Washer 25/32 X 1-5/8 X 16 Ga
37	1572H	Pin Roll 3/16 X 1"	100	19111216	Washer 11/32 x 3/4 x 16. Ga.
38	123674X	Pulley Idler Flat	112	19091210	Washer 9/32 X 3/4 X 10 Ga
39	74760644	Bolt Fin Hex 3/8-16unc X 2-3/4			
40	4470J	Spacer Split 395 X 59 Bzp			

NOTE: All component dimensions given in U. S. in
1 inch = 25.4 mm

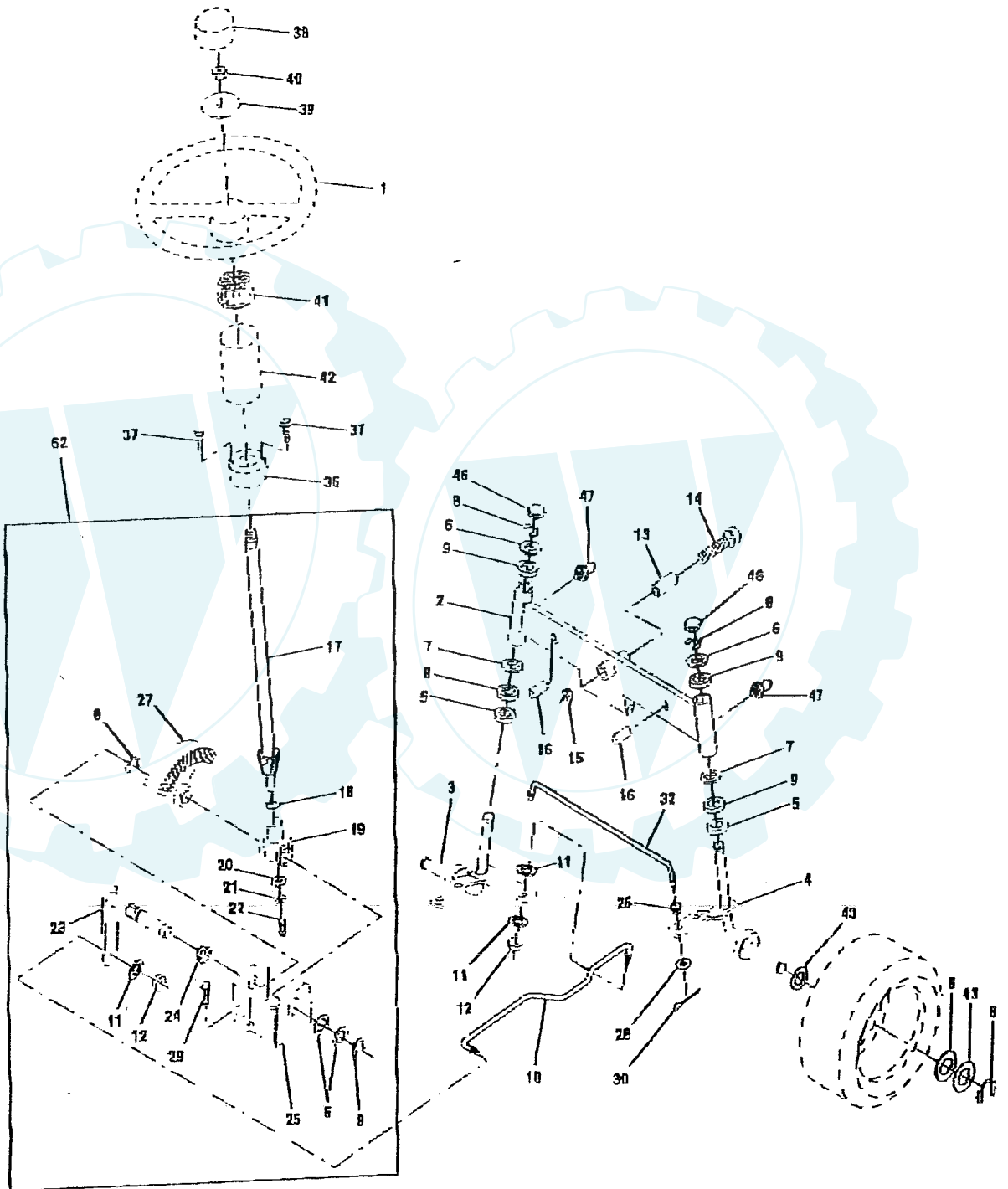
REPAIR PARTS

TRACTOR -- MODEL NUMBER AYP7124C59

STEERING ASSEMBLY

004

→ D1X1e FHP



06/23/99 10:15 FAX

STEERING ASSEMBLY

KEY NO.	PART NO.	DESCRIPTION
1	133741	Wheel Steering App/kelch Blk
2	142039	Axle Asm Fr LT W/gzks 38/42
3	135227	Spindle Asm LH
4	135228	Spindle Asm RH
5	6268H	Bearing Race Thrust Harden
6	121748X	Washer 25/32 X 1-5/8 X 16 Ga
7	19272016	Washer 27/32 X 1-1/4 X 16 Ga
8	12000029	Ring Ktip #15304-75
9	3366R	Bearing Col Strg Blk
10	130468	Link Drag Sol Ball Jt 20 064
11	10040600	Washer Lock Hvy Hlcl Spr 3/8
12	73610600	Nut Fin Hex 3/8-24 Unf
13	110438X	Spacer Bearing Axle Front
14	74011056	Bolt Hex 5/8-11 Unc X 3-1/2
15	73901000	Nut Lock Flange 5/8-11 Unc
16	132624	Pin Axle 5/8 X 1 55/1 54 Lg
17	132614	Shaft Asm Strg 5/8 X 15 19 LT
18	57079	Washer Thrust 515x 750x 033
19	124035X	Support Shaft
20	126684X	Washer Shim 1/4 X 5/8 X 062
21	10040400	Washer Lock Hvy Helical 1/4
22	71070410	Screw Hex Socket 1/4-20 X 5/8
23	127501	Shaft Asm Pittman
24	109816X	Nyliner Snap In
25	124036X	Bracket Steering
26	126847X	Bushing Link Drag Blk LR
27	136874	Gear Sector 22 Teeth
28	19131416	Washer 13/32 X 7/8 X 16 Ga
29	17490612	Screw Thdrol 3/8-16x3/4 Ty-11
30	78020412	Pin Cotter 1/8 X 3/4 Cad
32	130465	Rod Tie Wire Form 19 75 Mech
36	132196	Bushing Strg 5/8 Id Dash
37	17431008	Screw Slfip #10-16 X 1/2 Ty-b
38	133742	Cap Wheel Steer App/kelch Blk
39	19133808	Washer 13/32 X 2-3/8 X 8 Ga
40	7810H	Nut Lock Center 3/8-24unf
41	104820X	Adaptor Wheel Strg 640/ 635id
42	124418X	Boot Shaft Steering Blk
43	121749X	Washer 23/32 X 1 1/4 X 16 Ga
46	121232X	Cap Spindle Fr Top Blk
47	6855M	Fitting Grease
62	201700	Steering Assembly (LT)

NOTE: All component dimensions given in U.S. inches
1 inch = 25.4 mm

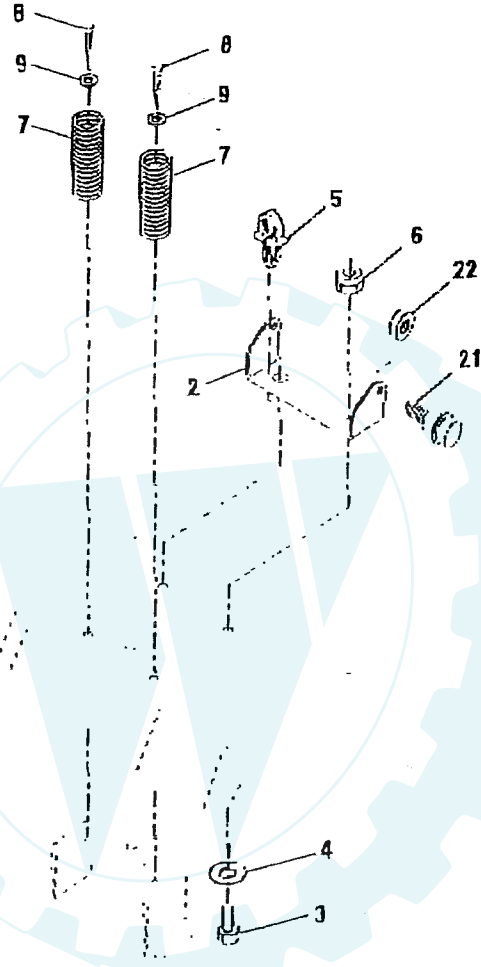
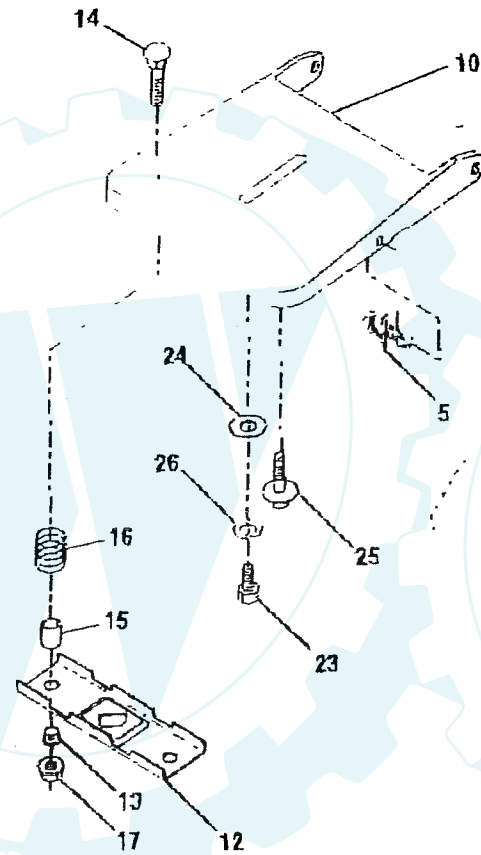
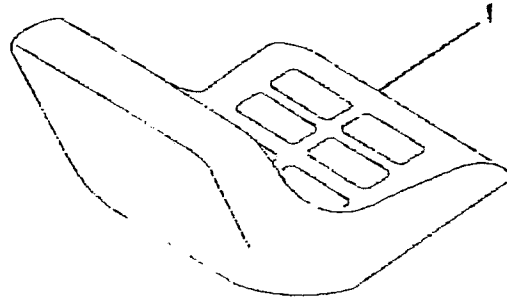
REPAIR PART

TRACTOR -- MODEL NUMBER AYP7124C59

SEAT ASSEMBLY

14005

→ Dixie FHP



06/23/99 10:15 FAX

KEY NO.	PART NO.	DESCRIPTION
1	127427	Seat
2	140551	Bracket Pivotal Seat B 720
3	74760616	Bolt Fin Hex 3/8-16unc X 1
4	19131610	Washer 13/32 X 1 X 10 Ga
5	145006	Clip Push-In Hinged
6	73800800	Nut Crownlock 3/8-16 Unc
7	124181X	Spring Seat Cprsn 2 250 Blk Zi
8	17490616	Screw Thdral 3/8-16 X 1 Ty-It
9	19131614	Washer 13/32 X 1 X 14 Ga
10	140552	Pan Seat
12	121246X	Bracket Mounting Switch
13	121248X	Bushing Snap Blk Nyl 50 Id

KEY NO.	PART NO.	DESCRIPTION
14	72050411	Bolt Rdhd Shl Nk 1/4-20x1-3/8
15	134300	Spacer Split 28x 96 Yel Zinc
16	121250X	Spring Cprsn 1 27 Blk Pnt
17	123976X	Nut Lock 1/4 Lge Fig Gr 5 Zinc
21	139888	Bolt Shoulder 5/16-18 Unc Blkz
22	73800500	Nut Crown Lock 5/16-18
23	74780814	Bolt Fin Hex 1/2-13 X 7/8 Gr 5
24	19171912	Washer 17/32 X 1-3/16 X 12 Ga
25	127018X	Bolt Shoulder 5/16-18 X 62
26	10046800	Washer Lock Hvy Hlcl Spr 1/2

NOTE: All component dimensions given in U.S. inches
1 inch = 25.4 mm

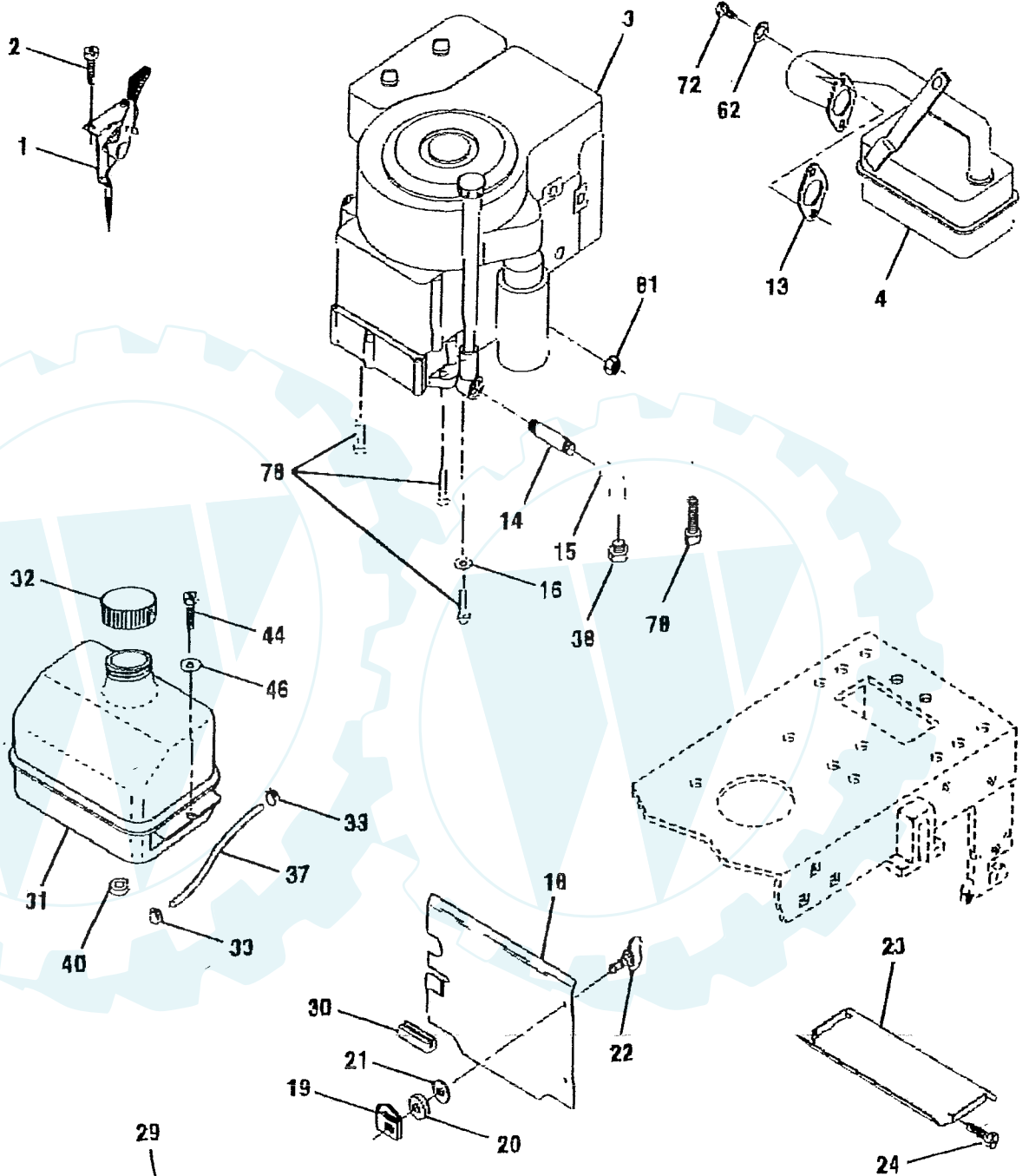
REPAIR F TS TRACTOR -- MODEL NUMBER AYP7124C59

www.ersatzteil-service.de

ENGINE

0006

→ D1x1e FHP



OPTIONAL EQUIPMENT
Spark Arrester

ENGINE

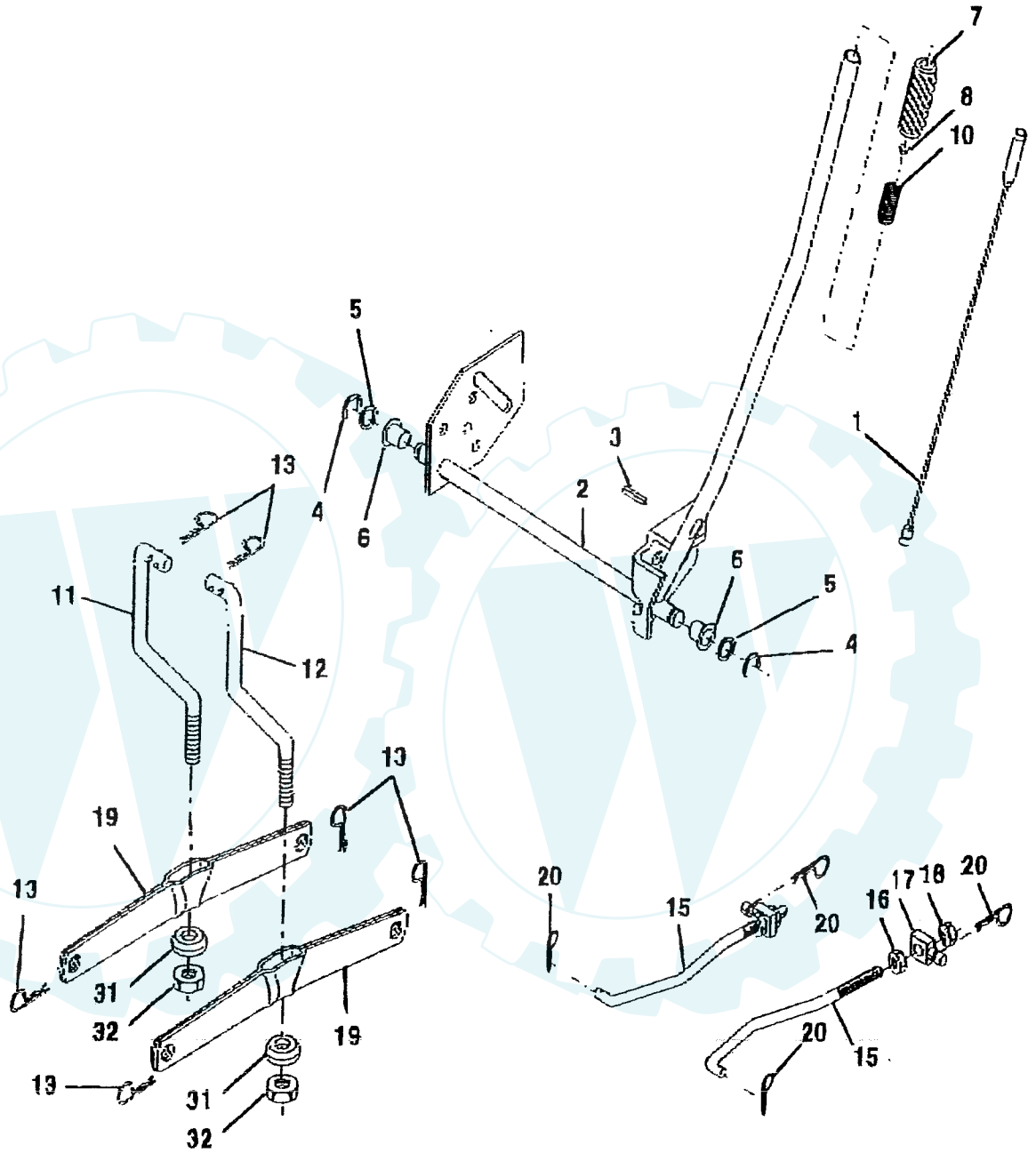
KEY NO.	PART NO.	DESCRIPTION
1	132759	Control Th/ch RH Blk Pdl 15 10
2	17720410	Screw Hex Thd Cul 1/4-20x5/8 T
3	-----	Engine B&S (Standard Item)
4	137348	Muffler LT B&S 12/12.5 HP
13	272293	Gasket Eng
14	13280324	Nipple Pipe 3/8 Npl X 3"
15	13200300	Elbow Std 90 Degree 3/8-18 Npl
16	11050600	Washer Lock Ext Tooth 3/8
18	136718	Shield Heat LI
19	105839X	Receptacle 1/4 turn Dacrotized
20	105838X	Retainer 1/4 turn .365 OD x .222 ID
21	19091016	Washer 9/32 x 5/8 x 16 Ga.
22	123650X	Stud 1/4 turn
23	128953	Shield Heat Browning LI/YI
24	17021008	Screw Tap Hex #10-24 UNC x 1/2
29	137160	Kit Spark Arrestor (Flat Scrn)
30	127057X	Pinch Weld Hood Black 2.00
31	109202X	Tank Fuel Front 1 25
32	140527	Cap Asm Fuel W/sym Vented
33	120487X	Clamp Hose Blk
37	137040	Line Fuel 20"
38	-----	Plug Oil Drain (Order From Engine Manufacturer)
40	124028X	Bushing Snap Nyl Blk Fuel Line
44	17490412	Screw Hexwsh Thdrol 1/4-20x3/4
46	19091416	Washer 9/32 X 7/8 X 16 Ga
62	10040500	Washer Lock Hvy Hcl Spr 5/16
72	71070512	Screw Hex Hd Cap 5/16-18 x 3/4
78	17490620	Screw Thdrol 3/8-16x1-1/4 TYTT
81	73510400	Nut Keps Hex 1/4-20 UNC

NOTE: All component dimensions given in U. S. inches
1 inch = 25.4 mm

MOWER LIFT

007

→ Dixie FHP



06/23/99 10:16 FAX

REPAIR PARTS

www.ersatzteil-service.de

TRACTOR - - MODEL NUMBER AYP71. 59

MOWER LIFT

KEY NO.	PART NO.	DESCRIPTION
1	136973	Wire Asm Inner W/plunger 17 32
2	122507X	Shaft Asm Lift 9 680
3	105767X	Pin Groove 1 500 Zinc
4	12000002	E Ring R5133-62
5	19211621	Washer PLTD 21/32 X 1 X 21ga
6	120183X	Bearing Nylon Blk 629 Id
7	109413X	Grip Handle Bicycle Matte Blk
8	124526X	Bulion Plunger Black
10	122512X	Spring Cprsn 3 750 Oiled
11	139865	Link Lift LH
12	139866	Link Lift RH
13	4939M	Retainer Spring
15	127218	Link Front
16	73350800	Nut Jam Hex 1/2-13 Unc
17	130171	Trunnion Blk Zinc
18	73800800	Nut Lock WAwsh 1/2-13unc
19	139868	Arm Suspension Rear
20	3146R	Retainer Spring
31	140302	Bearing Pivot Spherical
32	73540600	Nut Crownlock 3/8-24

NOTE: All component dimensions given in U. S. inches
1 inch = 25.4 mm

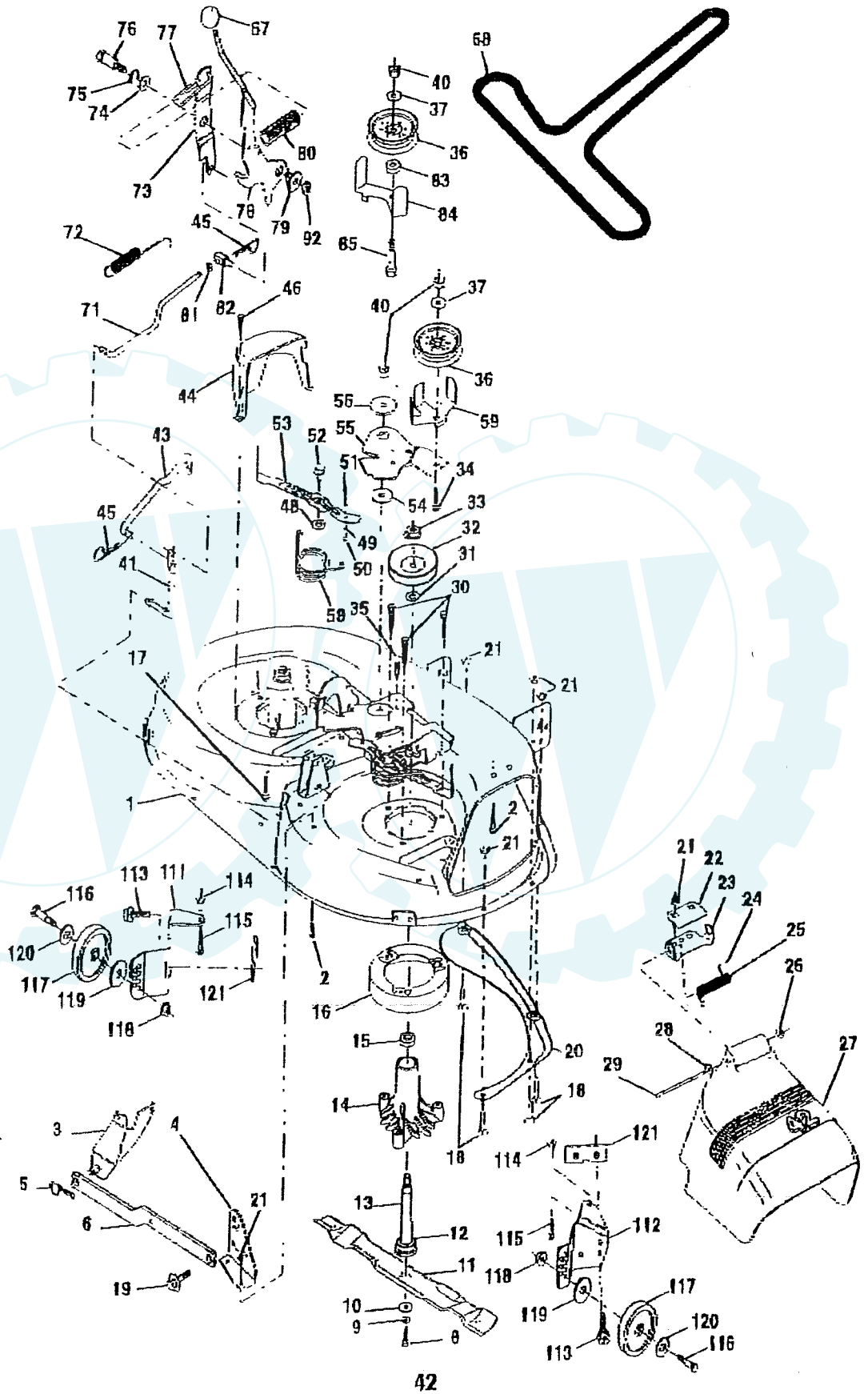
REPAIR TS

TRACTOR -- MODEL NUMBER AYP7124C59

MOWER DECK

008

Dixie FHP



06/23/99 10:16 FAX

REPAIR PARTS

www.ersatzteil-service.de

TRACTOR - - MODEL NUMBER AYP7124C59

MOWER DECK

KEY NO.	PART NO.	DESCRIPTION	KEY NO.	PART NO.	DESCRIPTION
1	144393	Mower Housing	51	69180	Nut Lock #10-24 Unc
2	72140506	Bolt Rdhd Sqnk 5/16-18unc X3/4	52	139888	Bolt Shoulder 5/16-18 Unc l
3	138017	Bracket Asm Fr Sway Bar 38/42	53	131845	Arm Asm Pad Brake
4	138440	Bracket Asm Deck 42" sway Bar	54	133943	Washer Hardened
5	4939M	Retainer Spring	55	140084	Arm Idler 42" mower LT/YT
6	130832	Arm Suspension Rear	56	122052X	Spacer Retainer Pm Mower
8	850857	Bolt 3/8-24 X 1 1/4	58	140086	Spring Torsion Brakes 42"
9	10030600	Washer Lock Hvy 3/8	59	141043	Guard TUV Idler
10	140296	Washer Hard Blade Mower Vented	67	106932X	Knob Rd
11	134149	Blade Mulching 42"	68	144200	V-Belt Mower
12	129895	Bearing Ball	71	142427	Rod Clutch Primary 38/42
13	137645	Shaft Asm W/lower Bearing	72	131870	Spring Return
14	129774	Housing Mandrel Vented	73	127847	Arm Clutch Secondary
15	110485X	Bearing Ball Mandrel	74	121748X	Washer 25/32 X 1-5/8 X 16
16	140329	Stripper Mower Vented	75	12000029	Ring Klip #15304-75
17	72110610	Bolt Rdhd Sqnk 3/8-16 X 1-1/4	76	128903	Bolt Shoulder 3/8-16 Unc 1
18	72140505	Bolt Rdhd Sqnk 5/16-18 X 5/8	77	127845	Keeper Spring 4 000
19	132827	Bolt Shoulder	78	140334	Lever Asm Clutch Primary Y
20	136888	Baffle Vortex 42	79	127498	Bushing 7/7 Od X 7/9 Lg B
21	73680500	Nut Crownlock 5/16-18 UNC	80	128759	Spring Clutch Mower 2 750
22	134753	Stiffener Bracket 42" deck	81	73350800	Nut Hex Jam 3/8-16 Unc
23	131267	Bracket Deflector Mower 42"	82	142028	Trunnion Adj
24	105304X	Cap Sleeve 80x 112 Blk Mower	83	120958X	Washer Sintered
25	149287	Spring Torsion Deflector 2 52	84	144394	Keeper Belt Idler Fixed
26	110452X	Nut Push Phos & Oil	85	72140610	Bolt Rdhd Sqnk 3/8-16 x 2-
27	130988	Shield Deflector Mower 42" Blk	92	73800800	Nut Lock W/insert 3/8-16 U.
28	19111016	Washer 11/32 X 5/8 X 16 Ga	111	140353	Bracket Gauge Wheel LH 42
29	131491	Rod Hinge 42" 6 75 Wlg	112	132262	Bracket Gauge Wheel RH 42
30	138776	Screw Thdrol Hex Head Zinc Mwr	113	17490512	Screw Thdrol 5/16-18 X 3/4
31	129963	Washer Spacer Mower Vented	114	73510500	Nut Keps 5/16-18 Unc
32	129861	Pulley Mandrel 42"	115	72110504	Bolt Carr 5/16-unc X 1/2
33	137266	Nut 9/16 Top Lock Flng	116	4898H	Bolt Shoulder
34	72110614	Bolt Rdhd 3/8-16uncx1-3/4 Gr5	117	105455X	Wheel Gage
35	133835	Fastner Christmas Tree	118	73930600	Nut Crownlock 3/8-16 Unc
36	131494	Pulley Idler Flat 3 060	119	19121414	Washer 12/32 x 14/16 x 12
37	19131316	Washer 13/32 x 13/16 x 16 Ga	120	19171512	Washer 17/32 x 15/16 x 12
40	73680600	Nut Crownlock 3/8-16 UNC	121	140723	Bracket Extruded Gauge Wt
41	133551	Rod Pivot W/nibs	--	130794	Mandrel Asm Service (Includ
43	140083	Rod Clutch Secondary W/nibs			Nos. 8-10, 12-15, 31 and 33,
44	140088	Guard Mandrel LH Black	--	145411	Deck Serv (Std. Deck - Orde
45	4497H	Spring Retainer 1" Zinc/cad			separately gauge wheel corr
46	137729	Screw Hex Thd Cut			key nos. 111-121.)
48	133944	Washer Hardened Smaller			
49	133940	Roller Asm Cam Follower 42" dec			
50	131340	Bolt Shldr 10-24 Zinc Gr 5 42"			

NOTE: All component dimensions given in U.S. I
1 inch = 25.4 mm

29142 Mulch Kit

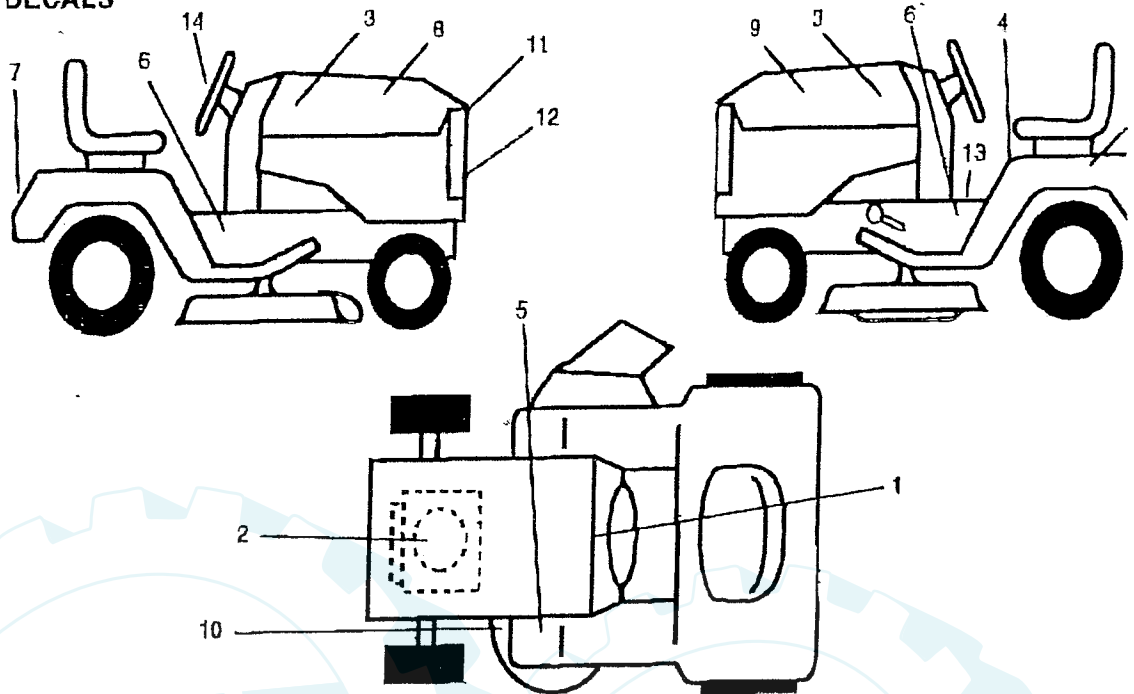
AYP 7124C59

REPAIR PARTS

www.ersatzteil-service.de

TRACTOR - - MODEL NUMBER AYP7124C

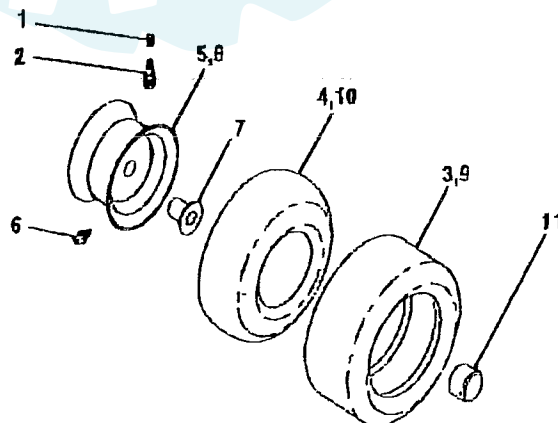
DECALS



KEY NO.	PART NO.	DESCRIPTION
1	138955	Decal Instruction Dash English
2	272632	Decal Engine
3	141506	Decal Ins Hood Wiz B&S
4	133796	Decal Caution Fender English
5	4900J	Decal Clutch/brake English
6	141507	Decal Chassis
7	127521	Decal USA Black
8	141498	Decal Hood RH Wizard

KEY NO.	PART NO.	DESCRIPTION
9	141499	Decal Hood LH Wizard
10	136632	Decal V-Bell Schematic
11	141503	Decal Grill Wizard LT
12	141504	Decal Grill Stripe Wizard LT
13	140837	Decal Saddle Brake Parking
14	133870	Decal Inst Strg Wheel
15	145005	Decal Bal Dan/Poi P/I Symbols
--	138311	Decal Handle Lift Height Adjust (Lift Handle)
--	149649	Manual Owner's

WHEELS AND TIRES



KEY NO.	PART NO.	DESCRIPTION
1	59192	Cap Valve Tire
2	65139	Stem Valve
3	106222X	Tire F Ts 15 X 6.0 - 6 Service
4	59904	Tube Front (Service Item Only)
5	106732X427	Rim Asm 6" front White Service
6	278H	Fitting Grease (Front Wheel On)
7	9040H	Bearing Flange (front Wheel On)
8	106108X427	Rim Asm 8" rear White Service
9	106268X	Tire R Ts 18x9 5-8 C Service
10	7152J	Tube Rear (Service Item Only)
11	104757X	Cap Axle Blk 1 50 X 1 00
--	144334	Sealant, Tire (10 oz. Tube)

NOTE: All component dimensions given in U.S. in
1 inch = 25.4 mm