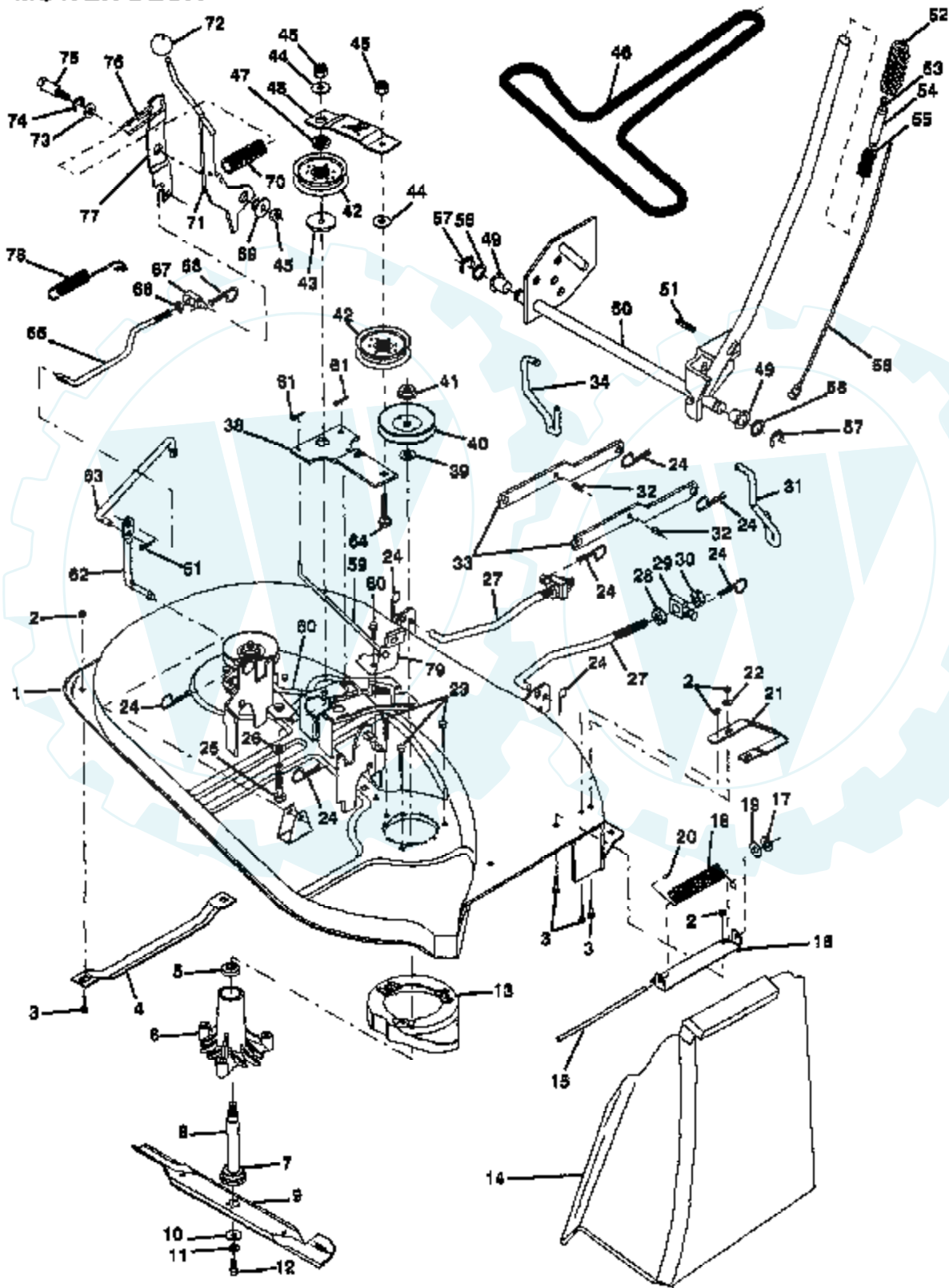
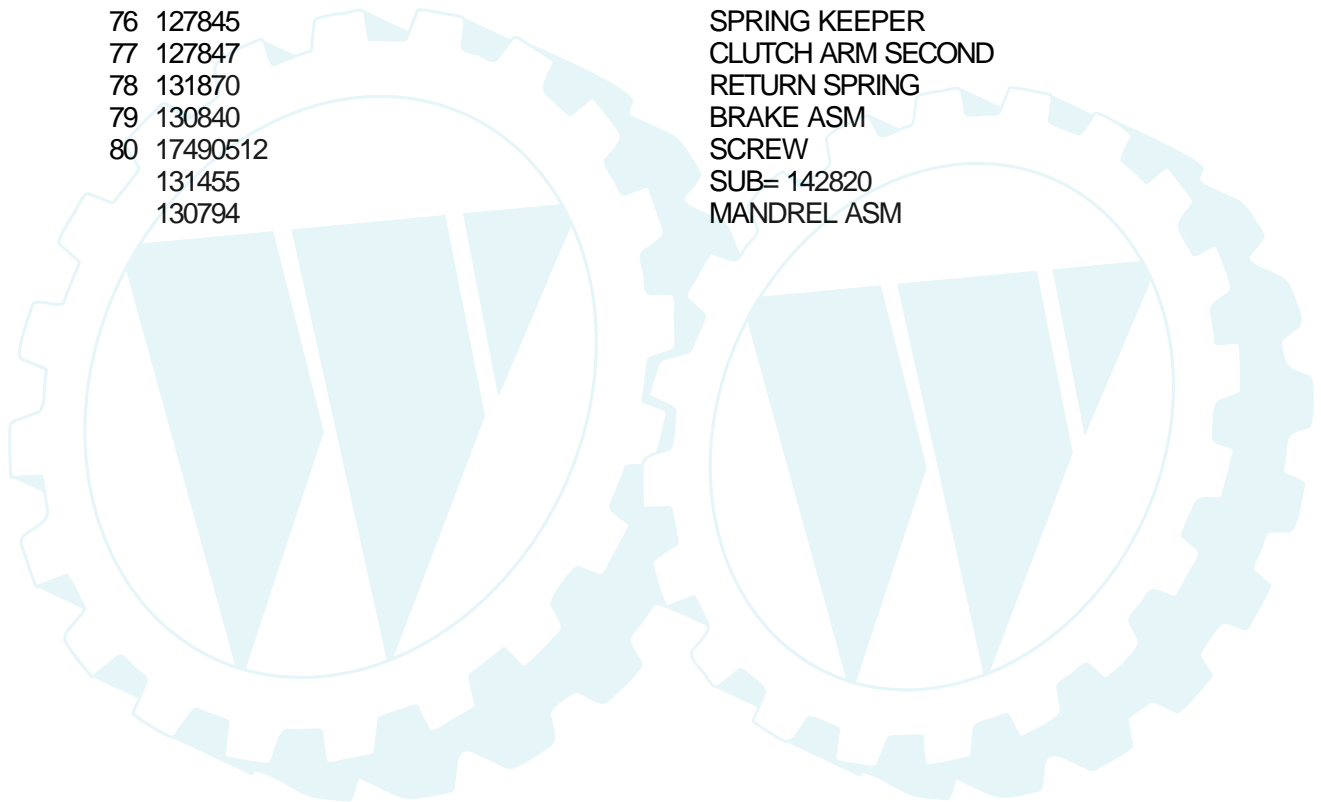


12 HP 38" TRACTOR - - MODEL NUMBER AYP7122B29
38" MOWER DECK

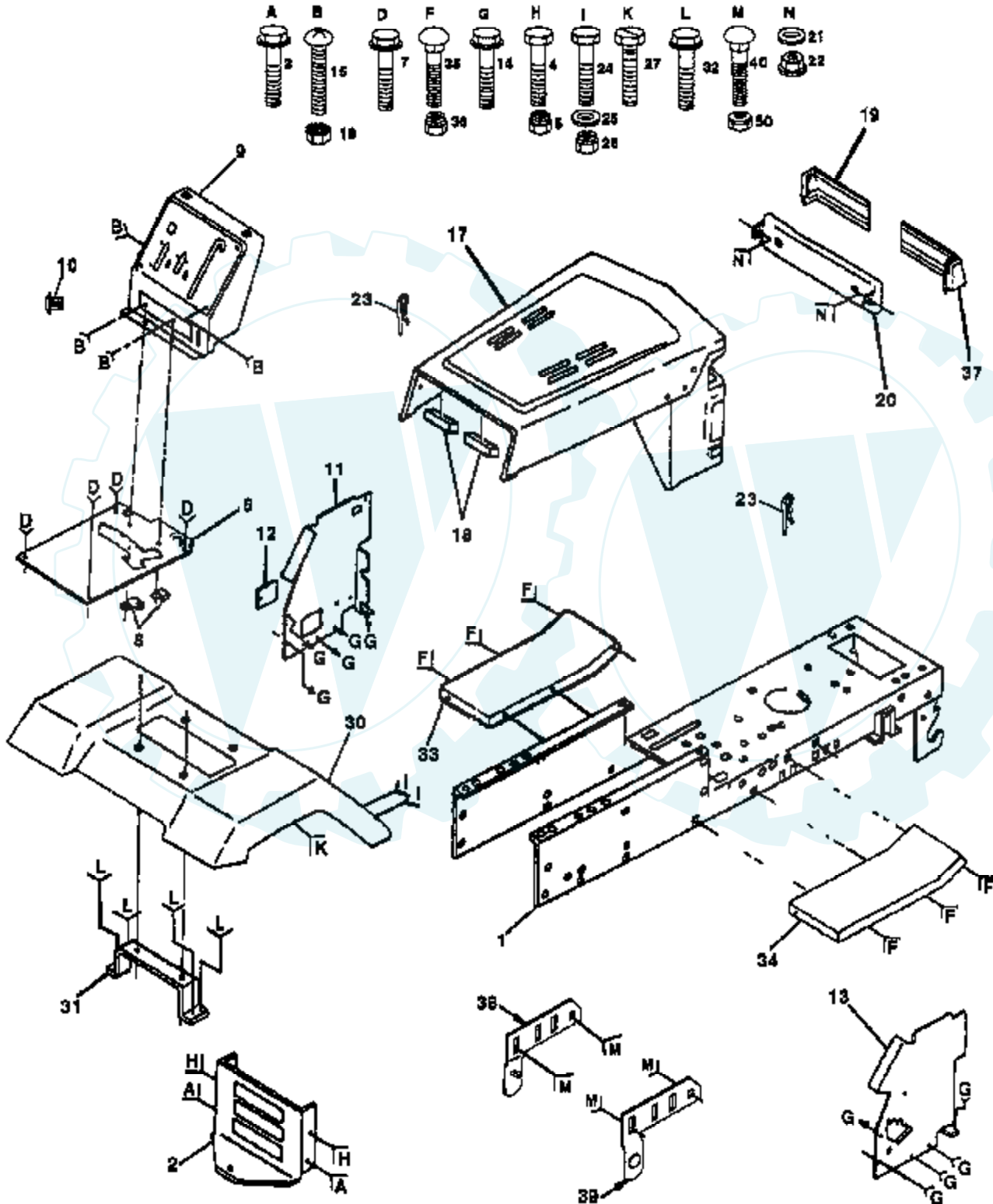


Ref #	Part Number	Qty	Description
1	129365		SUB= 145775
2	73680500		SUB= 73690500
3	72140506		BOLT
4	7631J		RUNNER-LH M
5	110485X		BEARING
6	128774		HSG ASM MANDREL
7	129895		BEARING.BALL
8	133172		SUB= 137646
9	127842		SUB= 138497
10	129962		WASHER BLADE
11	10030600		SUB= 10040600
12	850857		BLADE BOLT
13	128961		SUB= 140329
14	106736X		DEFLECTOR-SHLD T
15	106735X		ROD-HINGE T
16	105896X		SUB= 137607
17	110452X		NUT PUSH M
18	106734X		SUB= 123713X
19	19111016		WASHER
20	105304X		CAP-SLEEVE LT
21	128772		RUNNER RH
22	19111216		WASHER M
23	78158		SUB= 17580520
24	4939M		SUB= 85902
25	74600636		BOLT
26	19131612		WASHER GT
27	127218		LINK.FRONT
28	73350800		NUT
29	130171		TRUNION
30	73800800		NUT.LK.W/WSH.1/2.
31	135388		LIFT LINK RH
32	135563		"PIN,SPRING"
33	130833		SUSP ARM ASM REAR
34	134619		LINK LIFT LH
38	133840		IDLER ARM ASSY
39	129963		WASHER
40	129206		SUB= 153532
41	73050900		SUB= 139729
42	131494		FLAT IDLER PULLEY
43	122052X		SPACER RETAINER
44	19131612		WASHER GT
45	73680600		SUB= 73690600
46	131290		BELT-V.88.12.MW
47	133502		RETAINER SPACER
48	133503		IDLER ARM STIFF
49	120183X		NYLON BEARING
50	122507X		SUB= 145117
51	105767X		PIN-GROOVE LT
52	109413X		GRIP
53	124526X		SUB= 125925X
54	122364X		SUB= 125925X
55	122512X		SUB= 532122512
56	122514X		SUB= 136973
57	12000002		SUB= 2225J
58	19211416		WASHER
59	131288		BRAKE ROD RH
60	131289		BRAKE ROD LH
61	76020312		SUB= 3145

Ref #	Part Number	Qty	Description
62	133551		PIVOT ROD
63	133504		CLUTCH ROD SECOND
64	72110614		BOLT
65	133550		SUB= 142427
66	73350600		NUT
67	133205		TRUNION
68	4497H		RETAINER M
69	127498		BUSHING
70	128759		SUB= 918128759
71	133573X		SUB= 133573
72	106932X		KNOB T(3/8 HOLE)
73	121748X		WASHER
74	12000029		RING
75	128903		SHOULDER BOLT
76	127845		SPRING KEEPER
77	127847		CLUTCH ARM SECOND
78	131870		RETURN SPRING
79	130840		BRAKE ASM
80	17490512		SCREW
	131455		SUB= 142820
	130794		MANDREL ASM



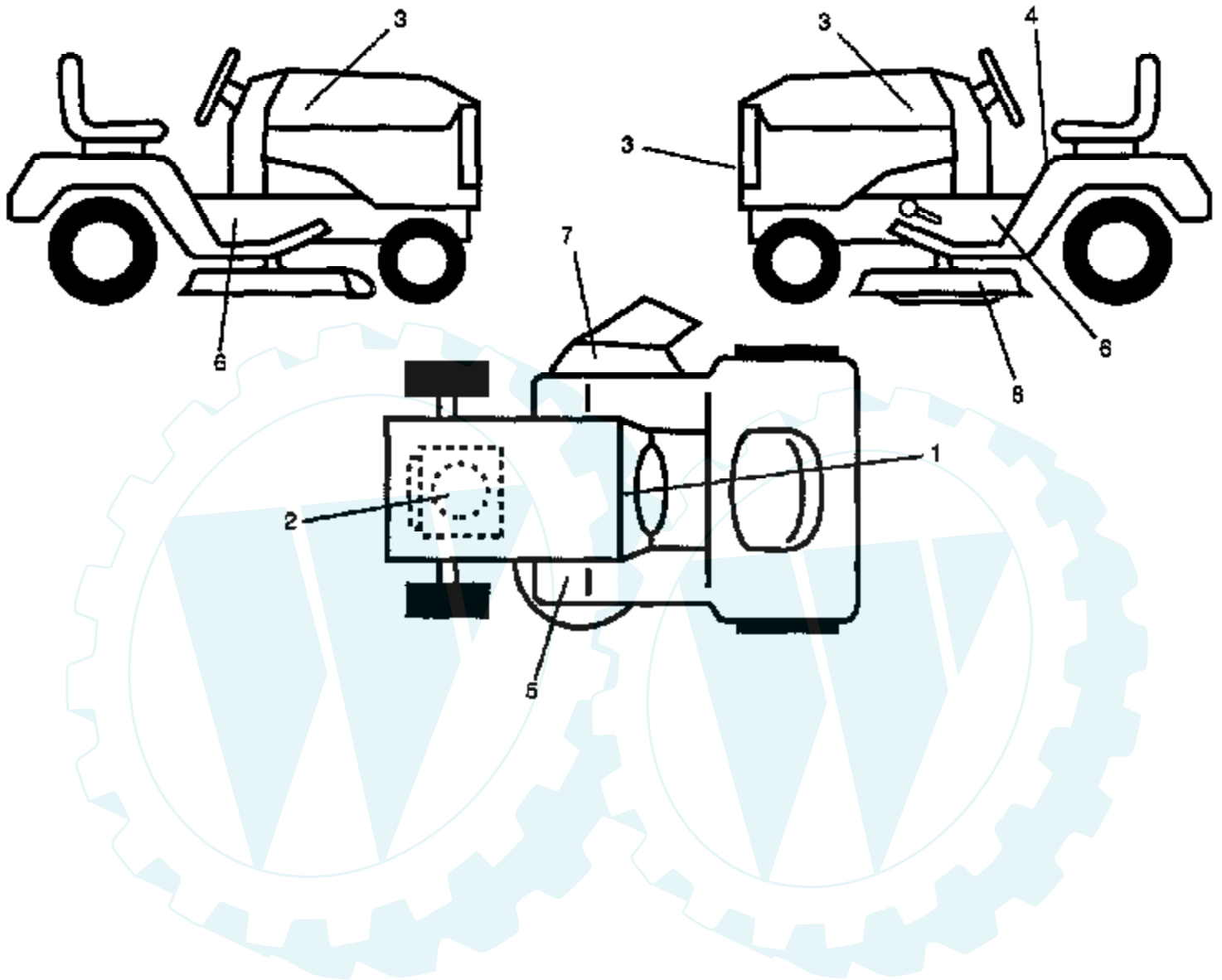
12 HP 38" TRACTOR - - MODEL NUMBER AYP7122B29 CHASSIS AND ENCLOSURES



Ref #	Part Number	Qty	Description
1	135034		SUB= 145501
2	127866		DRAWBAR LT/YT
3	17490612		SCREW
4	74760612		SUB= 74780612
5	73680600		SUB= 73690600
6	133249X013		SADDLE
7	17490608		SCREW LT
8	2751R		CLIP T
9	123042X012		DASH
10	5479J		PLUG BUTTON T
11	122795X		PANEL DASH LH
12	121794X		COVER ACCESS
13	124031X012		SUB= 155934X010
14	17490608		SCREW LT
15	74180512		SCREW
16	73510500		NUT
17	127370X505		HOOD/GRILL ASM
18	126938X		SUB= 532126938
19	108361X		LENS LH LT
20	132257		SUB= 918132257
21	19091216		WASHER PM
22	108067X		PAL NUT LT
23	4921H		SPRING.RETAINER
24	74760612		SUB= 74780612
25	19131312		WASHER
26	73680600		SUB= 73690600
27	17490608		SCREW LT
30	109872X505		FENDER
31	109873X		SUB= 136619
32	17490612		SCREW
33	105476X505		FOOTREST LH
34	105475X505		FOOTREST RH
35	72110606		BOLT
37	108360X		LENS RH LT
38	134618		BRKT ASM PIVOT LH
39	134617		BRKT ASM PIVOT RH
40	72140606		BOLT
50	73680600		SUB= 73690600

12 HP 38" TRACTOR - - MODEL NUMBER AYP7122B29

DECALS

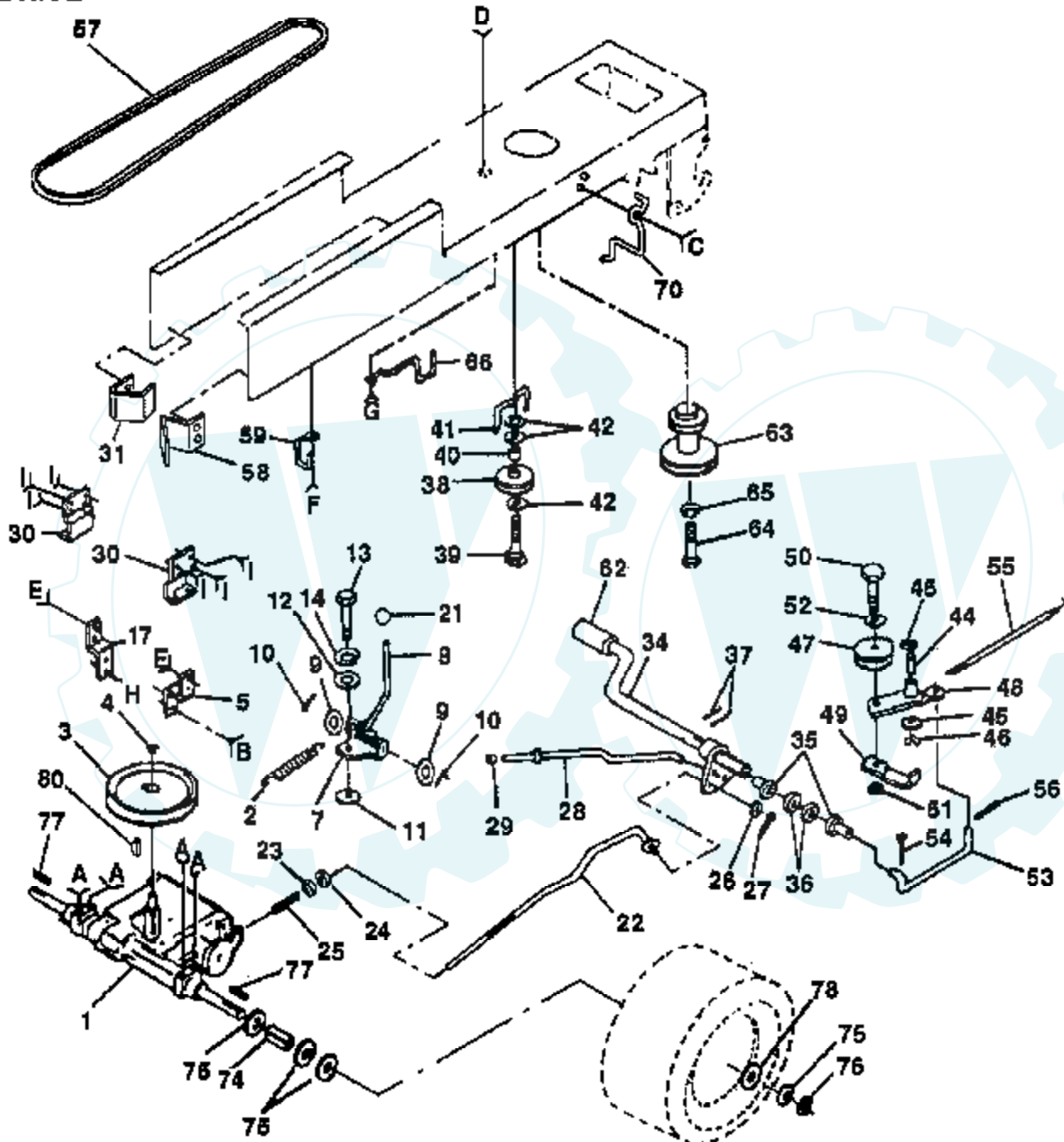


Ref #	Part Number	Qty	Description
1	108456X		SUB= 138955
2	120601X		DECAL.ENG.271967
3	129212		NLA
4	133796		DECAL
5	4900J		DECAL T
6	133782		NLA
7	121343X		DECAL WARING
8	3713J		DECAL INSTRUCTION CAUTION
	135983		MANUAL



12 HP 38" TRACTOR - - MODEL NUMBER AYP7122B29

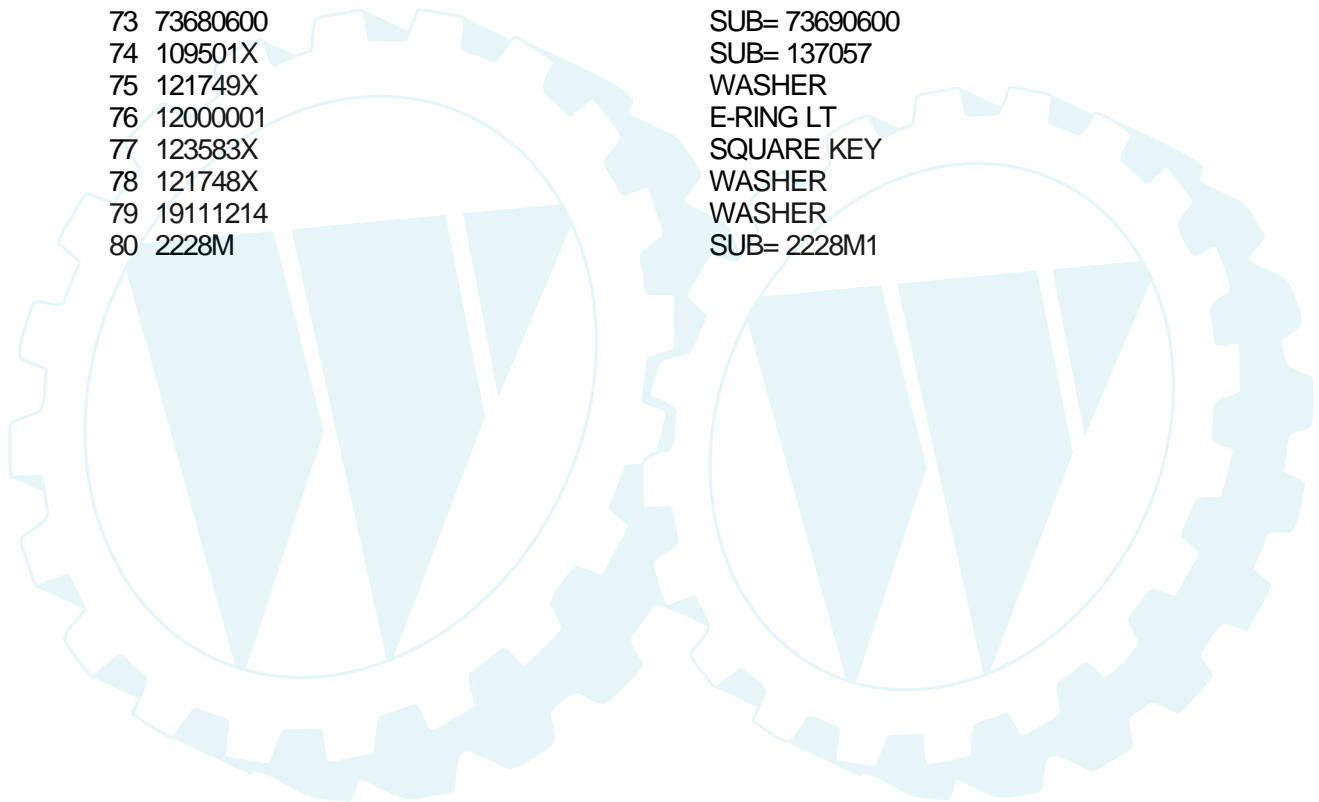
DRIVE



- | | | | | | | | | |
|----------|----------|----------|----------|----------|----------|----------|----------|----------|
| A | B | C | D | E | F | G | H | I |
| | | | | | | | | |
| | | | | | | | | |
| | | | | | | | | |

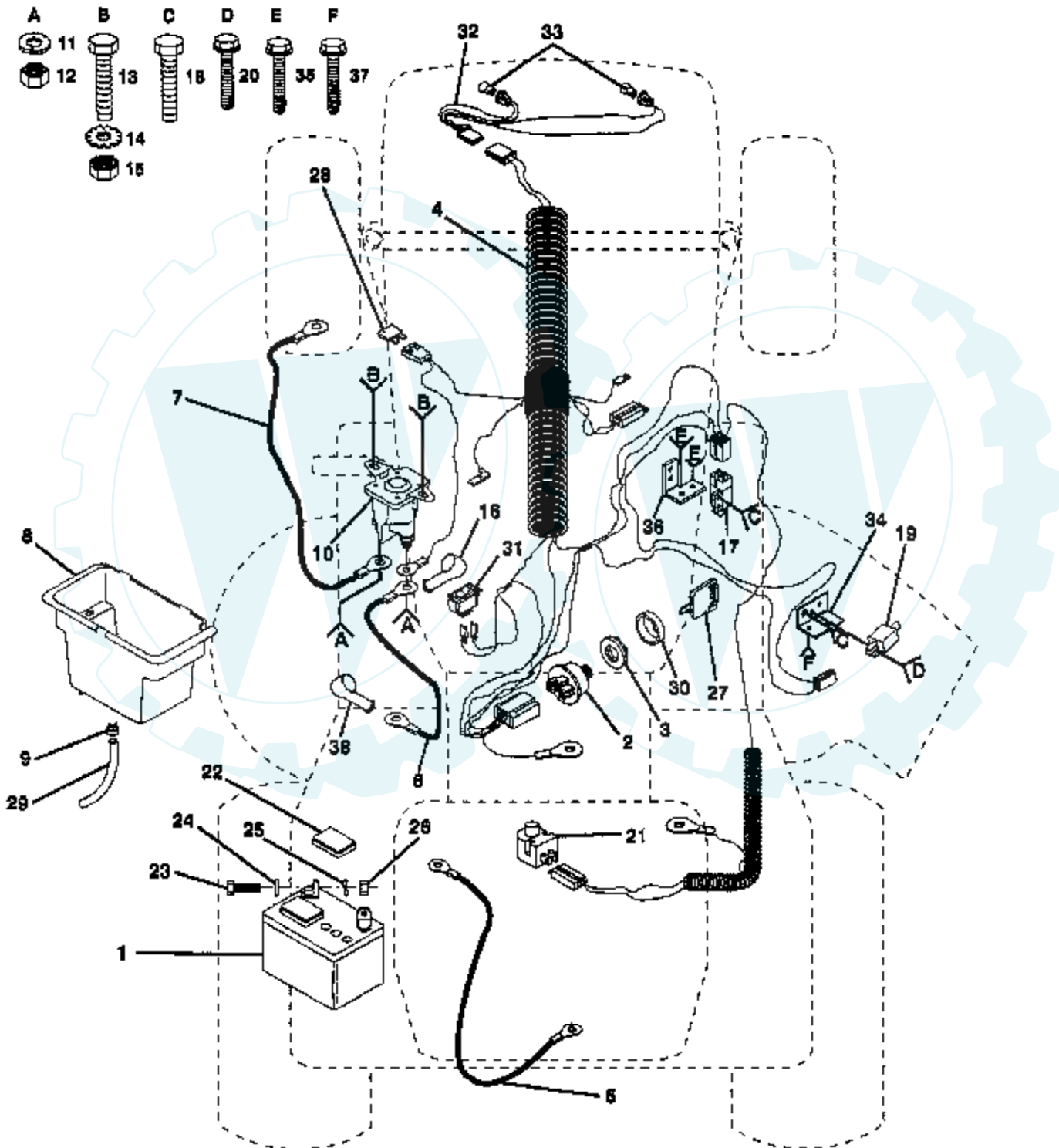
Ref #	Part Number	Qty	Description
1	930-008		TRANSAXLE
2	110422X		SUB= 146682
3	123666X		PULLEY TRANS
4	12000028		SUB= 2267J
5	121520X		STRAP TORQUE
6	17490512		SCREW
7	106919X		PLATE SHIFT LT
8	133428		SHIFTER ROD
9	19151216		WASHER
10	76020416		PIN COTTER 1/8
11	105701X		WASH-SHFT PLT LT
12	19091210		WASHER LT
13	71040412		SUB= 74550412
14	10040400		LOCKWASHER
15	74780544		BOLT HEX
16	73680500		SUB= 73690500
17	121520X		STRAP TORQUE
18	74760612		SUB= 74780612
19	73680600		SUB= 73690600
20	17490512		SCREW
21	106933X		KNOB T (1/2-HOLE)
22	131867		BRAKE ROD
23	73800600		NUT
24	73350600		NUT
25	106888X		SPRING ROD LT
26	19131316		WASHER
27	76020412		COTTER PIN
28	128904		PARKING BRAKE ROD
29	71673		PLUNGER CAP T
30	109167X		BRACKET LT
31	127275X		"KEEPER,BELT LH T"
32	74760612		SUB= 74780612
33	73680600		SUB= 73690600
34	122424X		SUB= 149001
35	120183X		NYLON BEARING
36	19211616		WASHER LT
37	1572H		SUB= 2882J
38	123674X		PULLEY.IDLER.FLAT
39	74760644		BOLT
40	4470J		SPACER T
41	109070X		BELT KEEPER LT
42	19131312		WASHER
43	73680600		SUB= 73690600
44	105706X		"LY, BEARING"
45	110812X		WASHER LT
46	12000039		KLIP RING
47	127783		SUB= 139245
48	123789X		ARM IDLER
49	123205X		RETAIN BELT
50	74760624		SUB= 74930624
51	73680600		SUB= 73690600
52	19131316		WASHER
53	105710X		"LINK, CLUTCH T"
54	76020412		COTTER PIN
55	105709X		"SPRING, RETURN LT"
56	76020412		COTTER PIN
57	125907X		BELT-V 90.0 GD DR
58	127274X		"KEEPER,BELT RH T"

Ref #	Part Number	Qty	Description
59	104777X		SUB= 140312
60	19131312		WASHER
61	17490612		SCREW
62	8883R		PEDAL COVER T
63	134825		SUB= 136004
64	71170764		BOLT
65	10040700		LOCKWASHER
66	129921		KEEPER.BELT.ENG.L
67	74760616		BOLT
68	19131312		WASHER
69	73680600		SUB= 73690600
70	134683		KEEPER BELT ENG
71	74760616		BOLT
72	19132012		WASHER
73	73680600		SUB= 73690600
74	109501X		SUB= 137057
75	121749X		WASHER
76	12000001		E-RING LT
77	123583X		SQUARE KEY
78	121748X		WASHER
79	19111214		WASHER
80	2228M		SUB= 2228M1



12 HP 38" TRACTOR - - MODEL NUMBER AYP7122B29

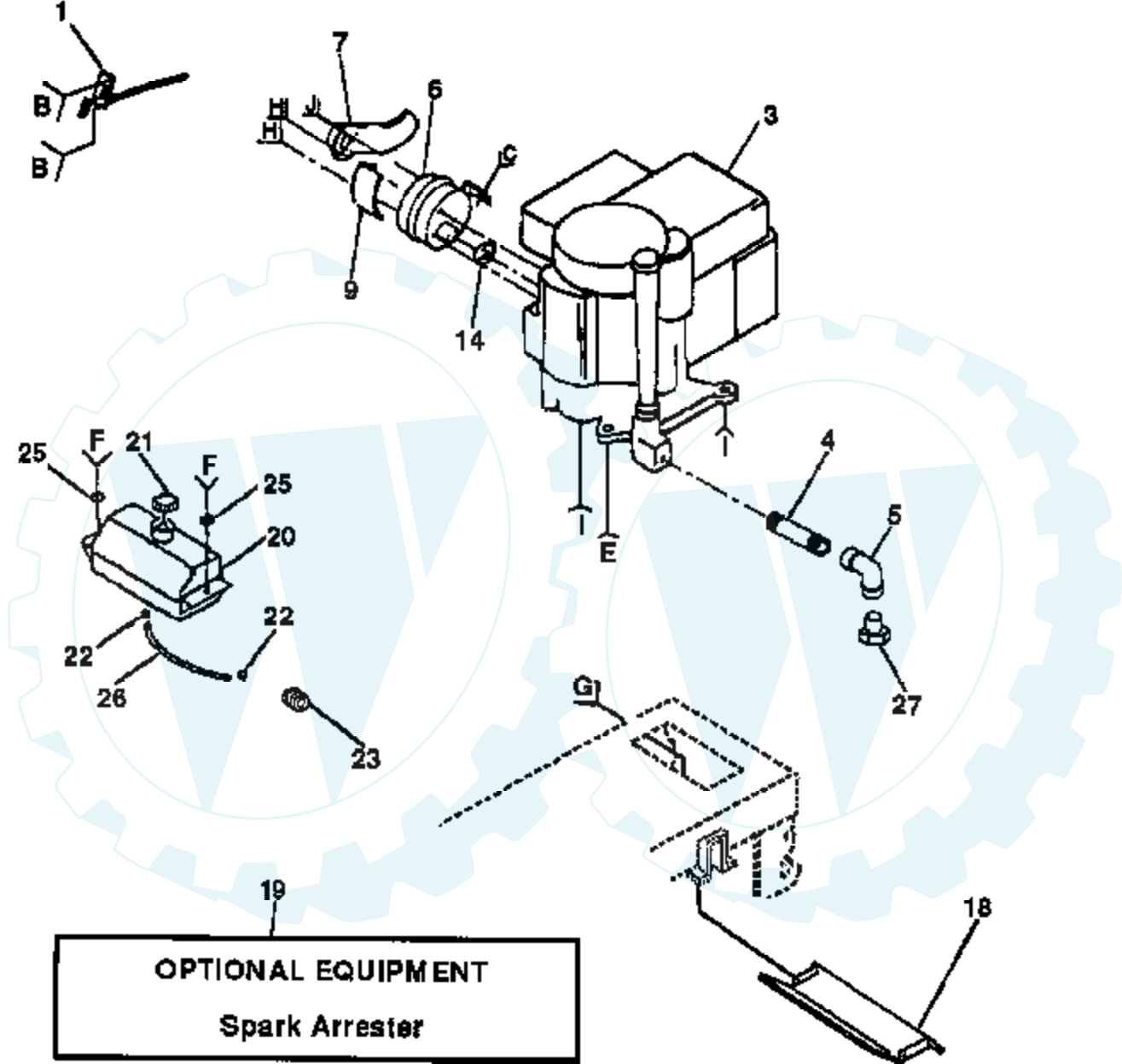
ELECTRICAL



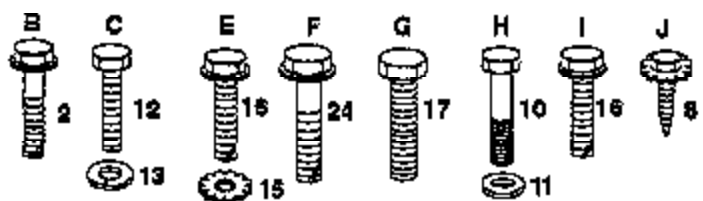
Ref #	Part Number	Qty	Description
1	121265X		SUB= 123899X
2	4406R		SUB= STD365402
3	124211X		NUT IGNITION
4	132017		IGN HARNESS
5	4207J		CABLE T
6	132202		SUB= 146147
7	4799J		"CABLE T, BATTERY"
8	133753		BTRY CASE W/O LID
9	109596X		HOSE CLAMP T
10	109081X		SUB= 146154
11	10090400		SUB= 10040400
12	73350400		NUT
13	74780408		BOLT
14	11050400		LOCKWASHER
15	73510400		NUT
16	131563		SUB= 154336
17	109553X		SWITCH INTERLOCKT
18	17021008		SCREW
19	104445X		SWITCH-INTER. GT
20	17021008		SCREW
21	121305X		SWITCH SEAT
22	121264X		"CAP,BATTERY "
23	74760412		BOLT LT
24	19091016		WASHER
25	10040400		LOCKWASHER
26	73220400		SUB= 50675
27	122147X		KEY
28	108824X		FUSE HYT
29	105687X		SUB= 109238X
30	123620X		SUB= 141226
31	110712X		SWITCH LT
32	127441X		SUB= 136850
33	7662J		SUB= 4152J
34	108236X		BRACKET LT
35	17021008		SCREW
36	130890		SWITCH BRACKET
37	17021008		SCREW
38	719J		SUB= 154336

12 HP 38" TRACTOR - - MODEL NUMBER AYP7122B29

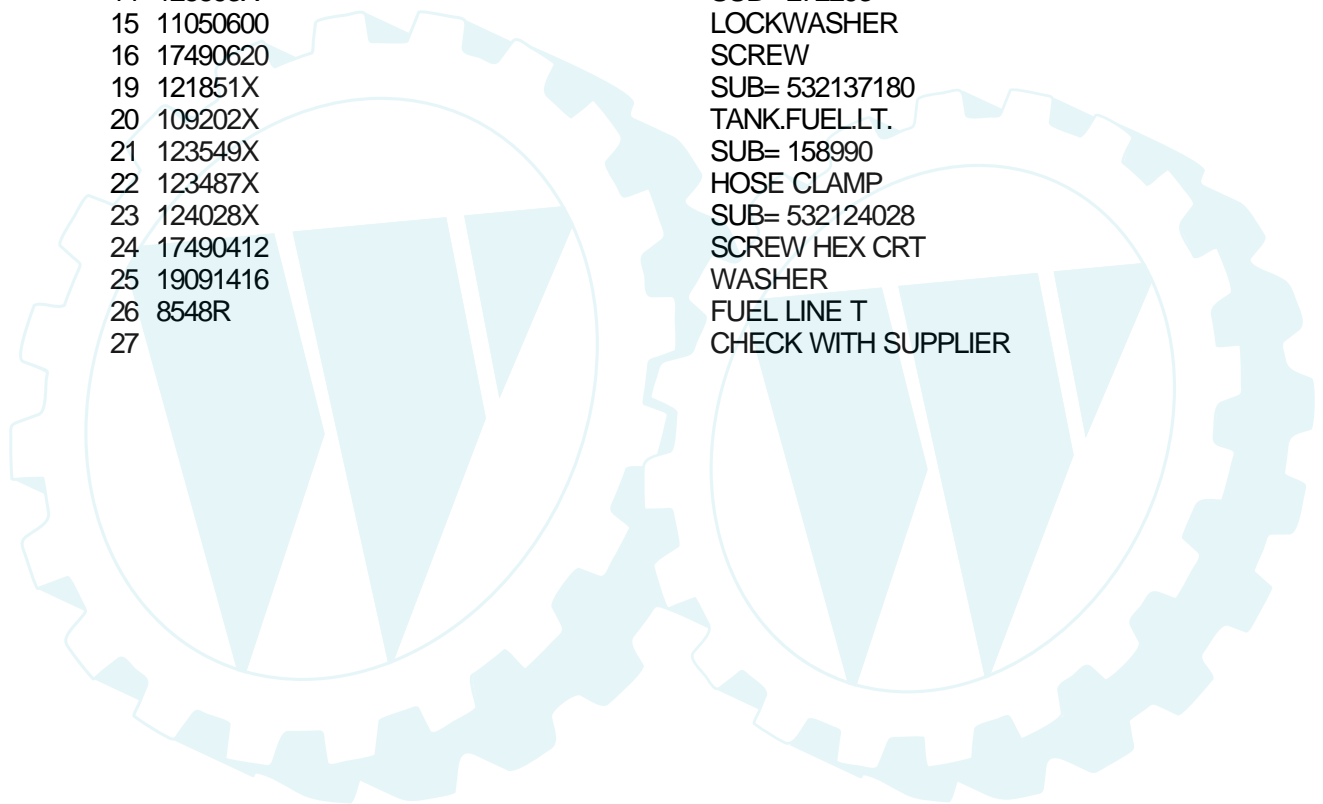
ENGINE



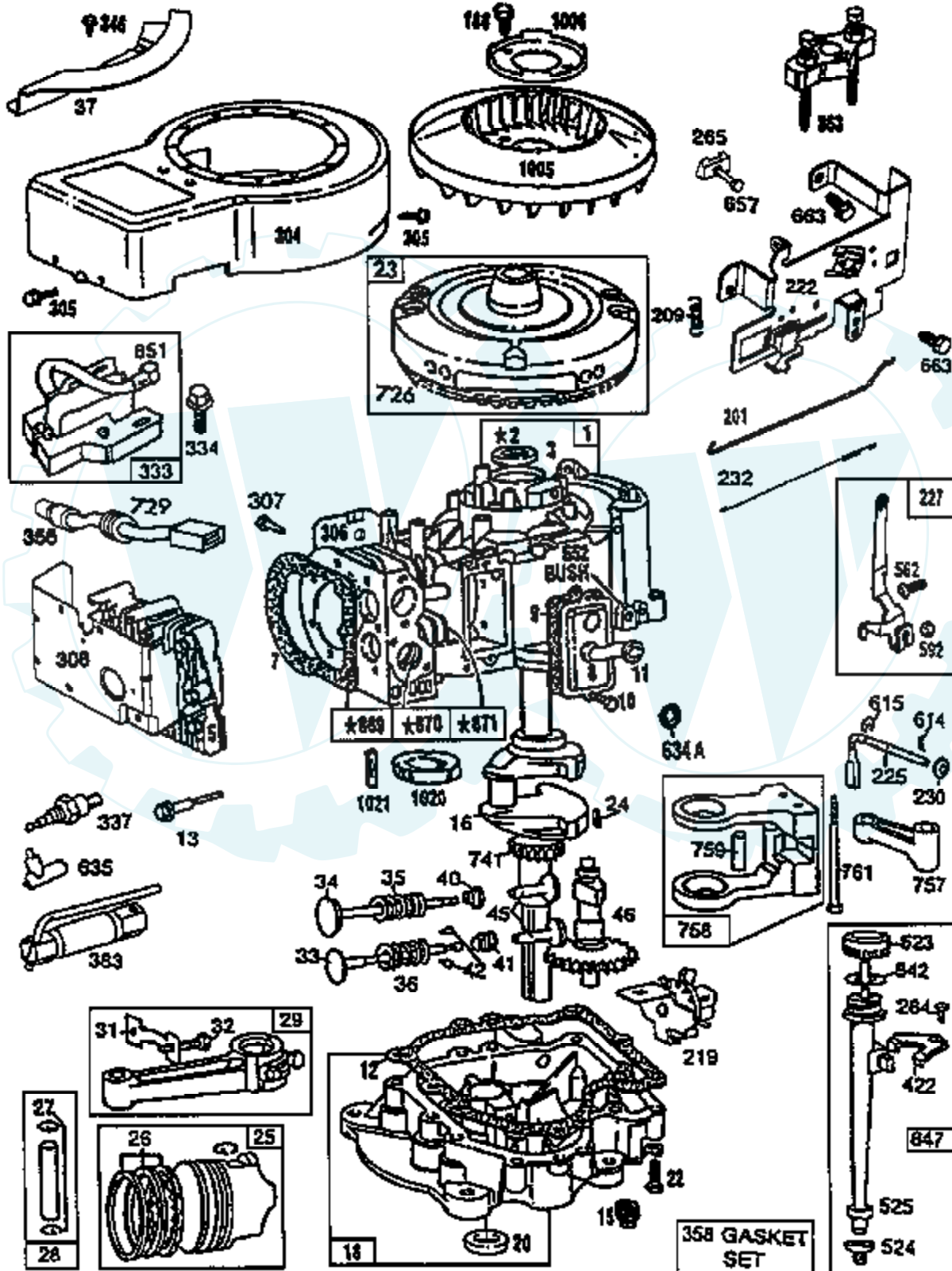
OPTIONAL EQUIPMENT
Spark Arrester



Ref #	Part Number	Qty	Description
1	132759		SUB= 918132759
2	17720410		SCREW LT
3	383707		ENGINE
4	13280324		PIPE NIPPLE
5	13200300		ELBOW
6	101273M		MUFFLER LTV
7	108767X		DEFLECTOR MUFFLER
8	17030808		SUB= 17030814
9	101159L		SHIELD HEAT LTV
10	74780556		"BOLT,HEX"
11	19111012		WASHER T
12	74780408		BOLT
13	10040400		LOCKWASHER
14	125593X		SUB= 272293
15	11050600		LOCKWASHER
16	17490620		SCREW
19	121851X		SUB= 532137180
20	109202X		TANK.FUEL.LT.
21	123549X		SUB= 158990
22	123487X		HOSE CLAMP
23	124028X		SUB= 532124028
24	17490412		SCREW HEX CRT
25	19091416		WASHER
26	8548R		FUEL LINE T
27			CHECK WITH SUPPLIER



12 HP 38" TRACTOR - - MODEL NUMBER AYP7122B29
BRIGGS & STRATTON ENGINE - MODEL NUMBER 283707, TYPE NUMBER 0217-01

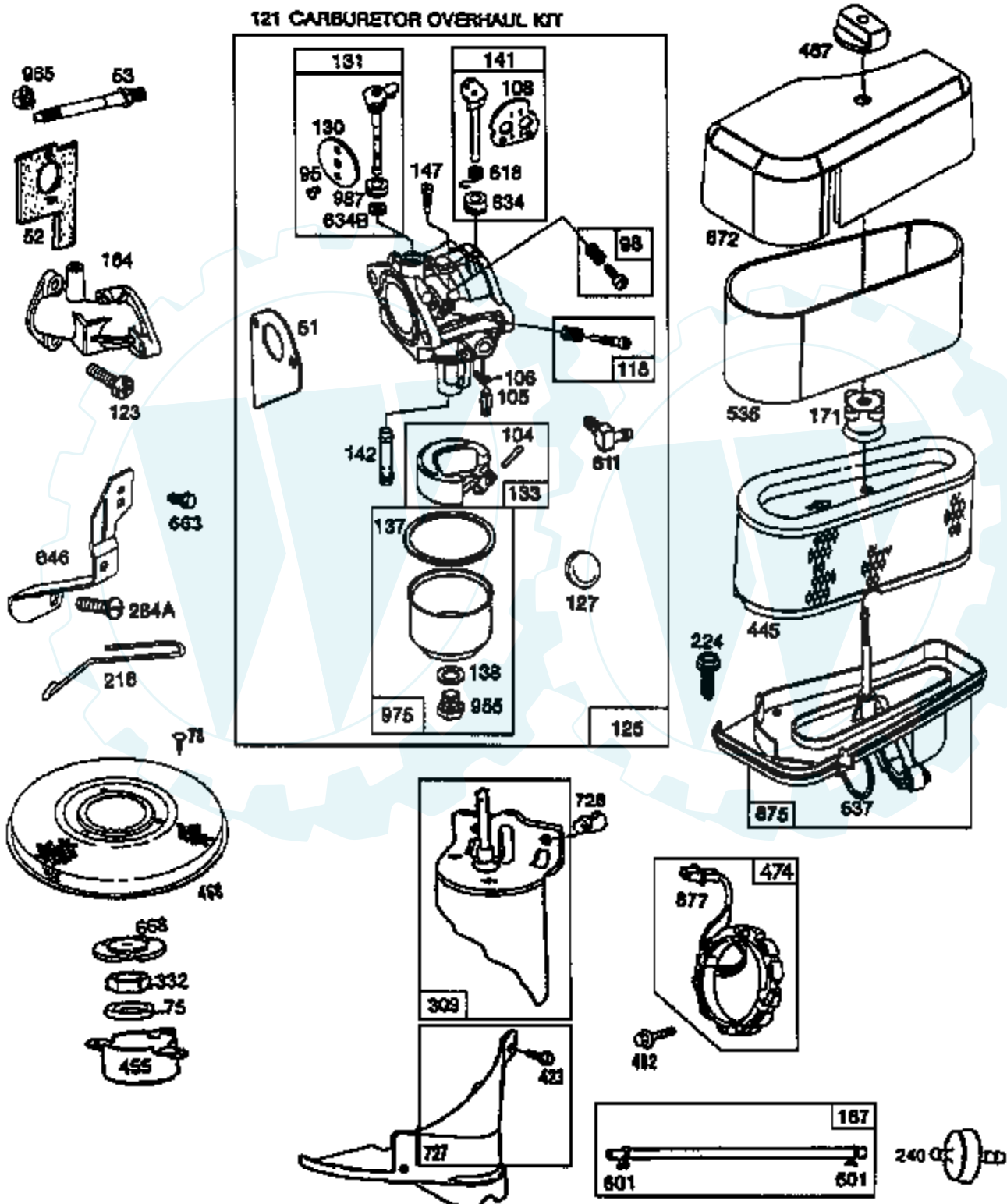


Ref #	Part Number	Qty	Description
1	490450		CYLINDER ASSEMBLY
2	399265		P/N CONFLICT - CHECK WITH SUPPLIER
3	391086		SEAL, OIL
5	494240		HEAD, CYLINDER
7	271866		GASKET, CYLINDER HEAD
8	391406		BREATHER ASSEMBLY
9	27803		GASKET, VALVE COVER
10	93394		SCREW, SEMS, BREATHER, MOUNTING
11	280100		TUBE, BREATHER
12	271916		GASKET, CRANKCASE COVER 1/64"
12A	271997		GASKET, CRANKCASE COVER .005"
12B	271996		GASKET, CRANKCASE COVER .009"
13	93723		SCREW, CYLINDER HEAD 3"
15	94239		PLUG, OIL DRAIN
16	490466		CRANKSHAFT
16A	94196		KEY, TIMING GEAR
18	494238		BASE, ENGINE
20	291675		SEAL, OIL
22	94305		SCREW, SEMS, BASE MOUNTING
23	492326		FLYWHEEL & RING GEAR ASSY, MAGNETO
24	222698		KEY, FLYWHEEL
25	394661		PISTON ASSEMBLY, STANDARD
25A	394662		PISTON ASSEMBLY .010" OVERSIZE
25B	394663		PISTON ASSEMBLY .020" OVERSIZE
25C	394664		PISTON ASSEMBLY .030" OVERSIZE
26	391780		RING SET, PISTON, STANDARD
26A	392331		RING SET, PISTON, STANDARD SIZE
26B	391781		RING SET, PISTON .010" OVERSIZE
26C	391782		RING SET, PISTON .020" OVERSIZE
26D	391783		RING SET, PISTON .030" OVERSIZE
27	260924		LOCK, PISTON PIN
28	299691		PIN ASSEMBLY, PISTON, STANDARD
28A	391286		PIN ASSEMBLY, PISTON .005" OVER
29	490348		ROD ASSEMBLY, CONNECTING
29A	490469		ROD ASSEMBLY, CONNECTING .020" UNDERSIZE
			CRANKPIN
31	222299		LOCK, CONNECTING ROD SCREW
32	92909		SCREW, CONNECTING ROD
33	262246		VALVE, EXHAUST
34	262247		VALVE, INTAKE
35	65906		SPRING, INTAKE VALVE
36	26828		SPRING, EXHAUST VALVE
37	223752		GUARD, FLYWHEEL
40	221596		RETAINER, INTAKE VALVE
41	292260		RETAINER, EXHAUST VALVE
42	93630		RETAINER, EXHAUST VALVE ROTOCOIL(2)
45	262248		TAPPET-VALVE
46	212897		GEAR, CAM
188	93535		SCREW, HEX HEAD
201	262767		LINK, GOVERNOR
209	260871		SPRING, GOVERNOR
219	490815		GOVERNOR GEAR
222	494887		PLATE, GOVERNOR CONTROL
225	231058		CRANK, GOVERNOR
227	493935		LEVER ASSY, GOVERNOR
230	222450		WASHER, GOVERNOR LEVER
232	262785		SPRING, GOVERNOR LINK

Ref #	Part Number	Qty	Description
265	221535		CLAMP
284	94419		SCREW, CLAMP MOUNTING
284A	94326		SCREW, AIR CLEANER
304	494269		HOUSING, BLOWER
305	94608		SCREW, SEMS
306	224545		SHIELD, CYLINDER
307	93949		SCREW, SEMS
308	491490		COVER, CYLINDER HEAD
333	492341		ARMATURE, MAGNETO
334	93381		SCREW, SEM, ARMATURE MOUNTING
337	802592		PLUG, SPARK
346	93705		SUB= 69485
356	494328		WIRE, GROUND
358	494241		GASKET SET
363	19203		PULLER, FLYWHEEL
383	89838		WRENCH SPARK PLUG
422	223721		CLAMP, OIL FILLER TUBE
	490421		STARTER DRIVE GROUP
523	490327		CAP AND DIPSTICK, OIL FILLER
524	68838		SEAL, FILLER TUBE
525	280741		TUBE, OIL FILLER
	390837		ARRMATURE ASSEMBLY
552	231597		BUSHING, GOVERNOR CRANK, 1/4" I.D.
562	92613		BOLT, GOVERNOR LEVER
592	231082		NUT, HEX
614	93306		COTTER, HAIR PIN
615	93307		RETAINER, E-RING
634A	491323		SEAL, GOVERNOR
635	66538		ELBOW, SPARK PLUG
657	93496		SCREW, SEMS
663	94620		SCREW, HEX HEAD
726	392134		GEAR, RING
729	281159		CLIP, LEAD WIRE
741	262135		GEAR, TIMING
757	212359		LINK, COUNTERWEIGHT
758	399891		COUNTERWEIGHT ASSY
759	298909		PIN ASSY, PISTON, STD
761	93875		SCREW, COUTENWEIGHT
	395537		END CAP ASSY. COMMUTATOR
842	270920		SEAL, OIL FILLER CAP
847	490474		FILL GROUP, OIL
851	221798		TERMINAL, IGNITION CABLE
869	261463		SEAT, INTAKE VALVE, STANDARD
870	213316		SEAT, EXHAUST VALVE, STANDARD
1005	280687		FAN, FLYWHEEL
1006	224413		RETAINER, FAN
1020	262243		ECCENTRIC
1021	94160		PIN, ECCENTRIC

12 HP 38" TRACTOR - - MODEL NUMBER AYP7122B29
BRIGGS & STRATTON ENGINE - MODEL NUMBER 283707, TYPE NUMBER 0217-01

121 CARBURETOR OVERHAUL KIT

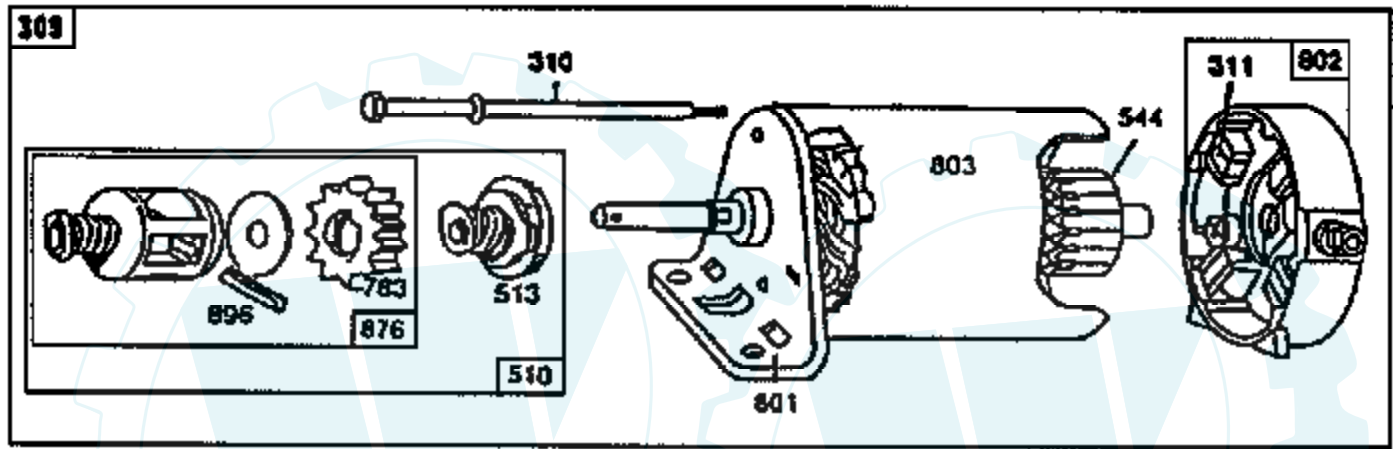


Ref #	Part Number	Qty	Description
51	272465		GASKET, CARBURETOR (CARBURETOR TO ELBOW)
52	270872		GASKET, CARBURETOR
53	94637		STUD, CARBURETOR MOUNTING
75	224061		WASHER, SPRING
78	93805		SCREW, SEMS
95	94098		SCREW, THROTTLE
98	494382		SCREW, IDLE SPEED
104	231789		PIN, FLOAT HINGE
105	231790		VALVE ASSEMBLY, INLET NEEDLE
106	281169		INLET, VALVE SEAT
118	494383		VALVE, NEEDLE
121	494384		CARBURETOR OVERHAUL KIT
123	94616		SCREW, ELBOW MOUNTING
125	494502		CARBURETOR ASSEMBLY
127			REFER TO IMAGE
130	224539		VALVE, THROTTLE
131	494379		SHAFT & LEVER, THROTTLE
133	494381		FLOAT, CARBURETOR
137	281165		GASKET, FLOAT BOWL
138	281164		WASHER, FLOAT BOWL SCREW
141	494380		SHAFT AND LEVER, CHOKE
142	494537		NOZZLE/JET, CARBURETOR
147	231794		PILOT, JET
164	213819		ELBOW, INTAKE
171	281051		P/N CONFLICT - CHECK WITH SUPPLIER
187	393815		HOSE (CUT TO SUIT)
216	262766		LINK, CHOKE
224	94513		SCREW, SEMS, AIR CLEANER
240	394358		FILTER, FUEL
284A	94326		SCREW, AIR CLEANER
309			REFER TO IMAGE
309	394805		MOTER AND DRIVE ASSY.
332	92284		NUT, FLYWHEEL
423	94073		SCREW, HEX HEAD
445	493909		CARTRIDGE, AIR CLEANER
455	222561		CUP, SCREEN MOUNTING
467	493903		KNOB, AIR CLEANER
468	222562		SCREEN, FLUSH ROTATING
474	393474		STATOR, ALTERNATOR, DUAL CIRCUIT
482	93621		SCREW, SEMS
535	272403		ELEMENT, AIR CLEANER
537	281106		O-RING, AIR CLEANER
601	93053		CLAMP, HOSE, GREEN
611	494451		FUEL INLET TUBE
618	262803		SPRING, CHOKE RETURN
634	281168		SEAL, CHOKE SHAFT
634B	281167		WASHER, THROTTLE SHAFT
646	224546		BRACE, AIR CLEANER
663	94620		SCREW, HEX HEAD
668	280848		SPACER
726	392134		GEAR, RING
727	490324		COVER, STARTER
872	281104		COVER, AIR CLEANER
875	494237		BODY, AIR CLEANER
877	393456		DIODE & CONNECTOR ASSY
955	94642		SCREW, FUEL BOWL
965	94108		LOCKNUT, AIR CLEANER MOUNTING
975	494378		BOWL ASSEMBLY, CARBURETOR

Ref #	Part Number	Qty	Description
987	281166		SEAL, THROTTLE SHAFT



**12 HP 38" TRACTOR - - MODEL NUMBER AYP7122B29
BRIGGS & STRATTON ENGINE - MODEL NUMBER 283707, TYPE NUMBER 0217-01**



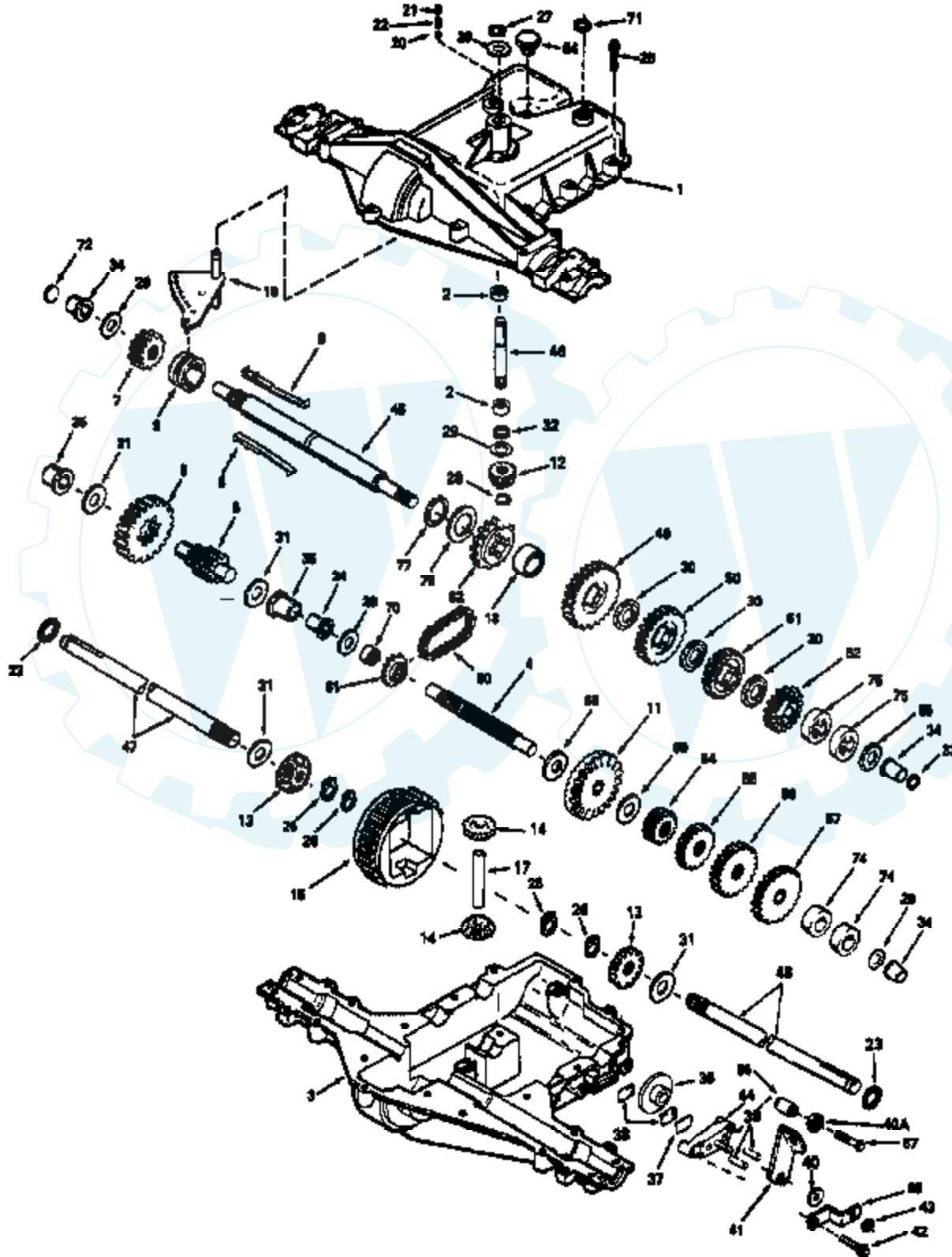
Reference Number	309	310	311	510	513	544	801	802	803
Manufacturer	Motor and Drive Assy.	Thru Bolt Assembly	Brush Assembly	Drive Assembly	Armature Assembly	Drive End Cap Assembly	End Cap Assy. Commutator	Housing Assembly	Housing Assembly
Briggs & Stratton	Housing Length								
12V	3-21/32"	394505	64008	395838	495421	390837	394856	395537*	393125

*Includes Brush Set
 **Includes #398003 Clutch Assembly (Ref. No. 515)
 #280104 Gear (Ref. No. 783)
 #490487 Retainer and Pin (Ref. No. 878)
 # 04265 Roll Pin (Ref. No. 896)

Ref #	Part Number	Qty	Description
309			REFER TO IMAGE
309	394805		MOTER AND DRIVE ASSY.
310	94003		BOLT
311	395538		BRUSH ASSEMBLY
510	490421		STARTER DRIVE GROUP
544	390837		ARRMATURE ASSEMBLY
801	394856		CAP, DRIVE
802	395537		END CAP ASSY. COMMUTATOR
803	393825		HOUSING ASSEMBLY
513	398003		CLUTCH ASSEMBLY
783	280104		GEAR, STARTER
876	490467		PINION SPRING KIT
896	94288		ROLL PIN



**12 HP 38" TRACTOR - - MODEL NUMBER AYP7122B29
PEERLESS TRANSAXLE - MODEL NUMBER 930-008**



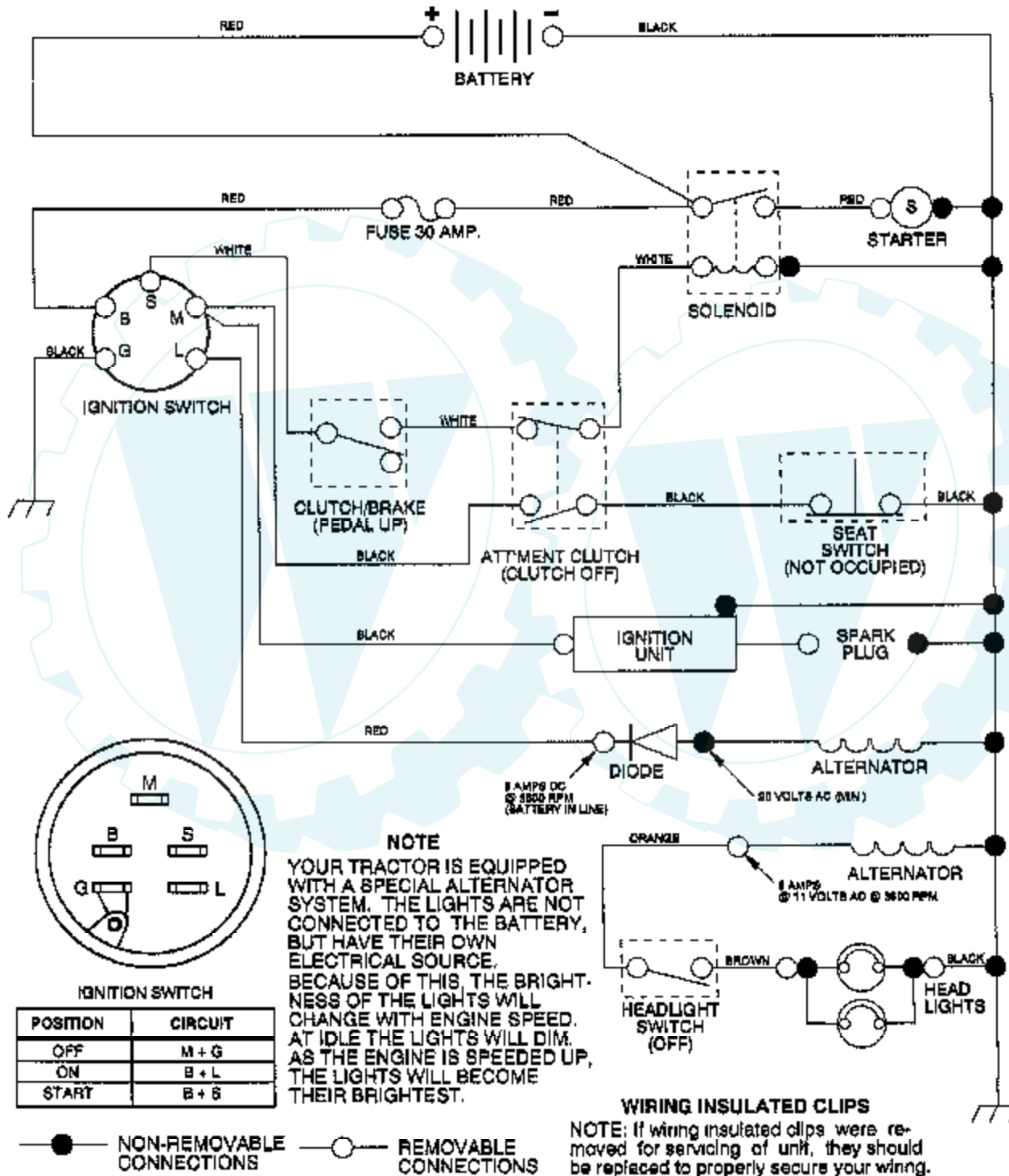
Ref #	Part Number	Qty	Description
1	772108		COVER, TRANSAXLE
2	730086		BEARING, NEEDLE
3	770102		CASE, TRANSAXLE
4	776260		SHAFT, COUNTER
5	776219		SHAFT, PINION ASSEMBLY, OUTPUT
6	778139		GEAR, OUTPUT
7	778136		GEAR, SPUR, 15 TEETH
8	792136		KEY
9	784352		COLLAR, SHIFTER
10	784355		ROD & FORK ASSY, SHIFT
11	778229		GEAR, BEVEL, 42 TEETH
12	778113A		BEVEL PINION, INPUT
13	778221		GEAR, BEVEL
14	778068		GEAR, BEVEL, PINION
15	778260		GEAR, RING
17	786139		PIN, DRIVE
18	786102		SPACER, NEUTRAL
20	792077		BALL STEEL, 5/16" DIA.
21	792078		SCREW, 3/8-16 X 3/8"
22	792079		SPRING
23	788061		RING, SEAL
25	792073		SCREW, 1/4-20 X 1-1/4
26	792125		RING RETAINER
27	792035		RING, RETAINER
28	788040		RETAINING RING
29	780072		WASHER THRUST
30	780108		WASHER THRUST
31	780001		WASHER
32	792001		"O" RING
33	788051		SEAL, SQUARE CUT
34	780105A		BUSHING, FLANGED
35	780118A		BUSHING, FLANGED
36	790003		DISK, BRAKE
37	790007		PLATE BRAKE PAD
38	790006		PAD BRAKE
39	786026		PIN DOWEL
40	792076		WASHER, FLAT
40A	792128		WASHER FLAT
41	790047		LEVER BRAKE
42	792073		SCREW, 1/4-20 X 1-1/4
43	792075		LOCKNUT 5/16-24
44	790025		HOLDER BRAKE PAD
45	776315A		SHAFT, BRAKE, 4 KEYED
46	776135		SHAFT, INPUT
47	774690		AXLE
48	774691		AXLE
49	778191		GEAR, SPUR, 37 TEETH
50	778124A		GEAR, SPUR, 30 TEETH
51	778123A		GEAR, SPUR, 25 TEETH
52	778209		GEAR, SPUR, 19 TEETH
54	778230		GEAR, SPUR, 12 TEETH
55	778126A		GEAR, SPUR, 20 TEETH
56	778127A		GEAR, SPUR, 25 TEETH
57	778163		GEAR, SPUR, 31 TEETH
60	786081		CHAIN, ROLLER
61	786082		SPROCKET 9T
62	786123		SPROCKET 18T (REV)
64	792074		PLUG, THRD, 9/16-18

Ref #	Part Number	Qty	Description
65	780139		WASHER
66	786067		SPACER
67	792085		SCREW FLNG HEX 1/4-20 X 2-1/4
68	786086		BRKT BRAKE LEVER
69	780051		WASHER THRUST
70	786118		SPACER
71	788069		SEAL SQUARE CUT
72	786116		DISK
74	786071		SPACER
75	786072		SPACER
76	780090		WASHER, THRUST
77	788075		RING, RETAINING

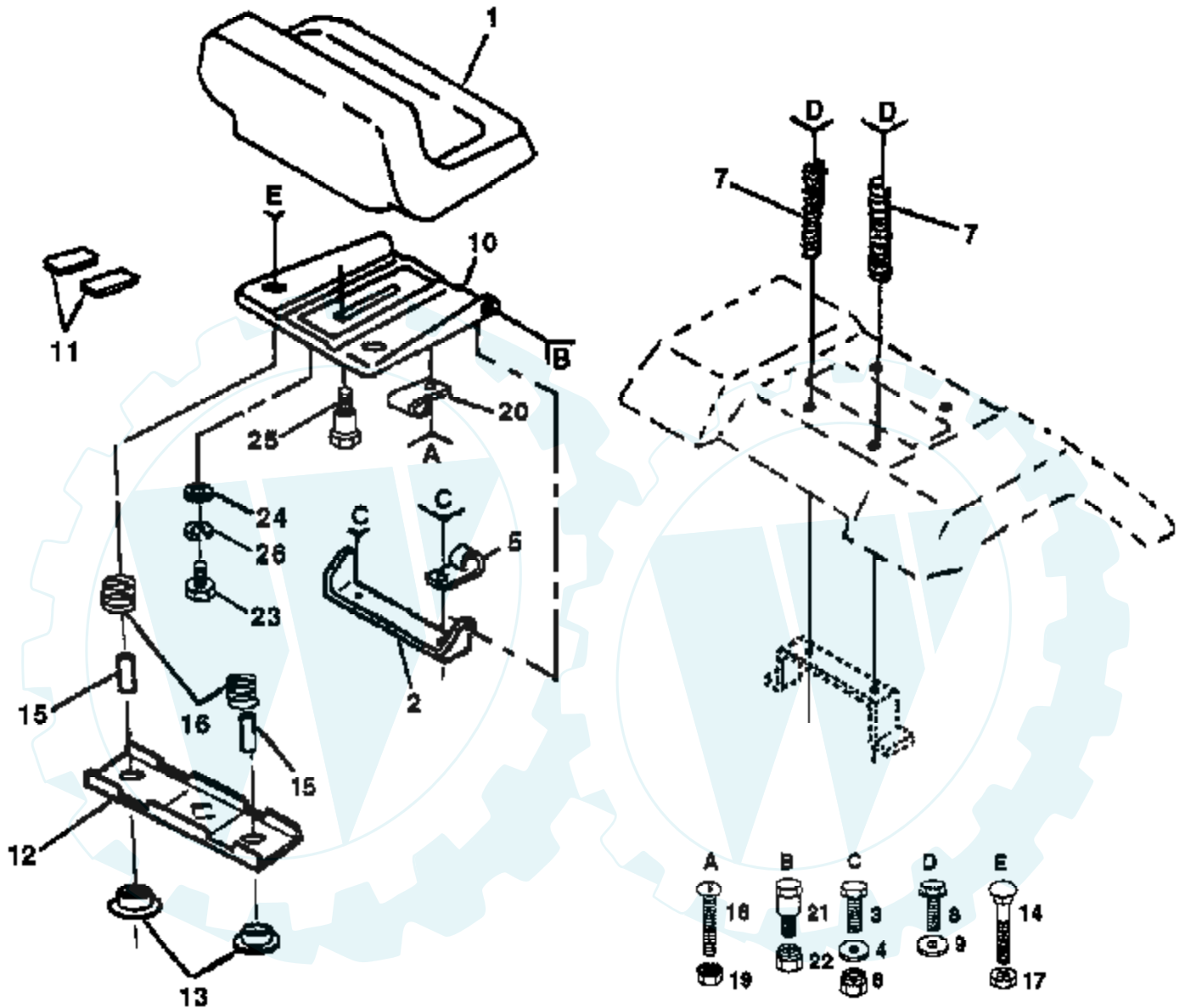


12 HP 38" TRACTOR - - MODEL NUMBER AYP7122B29

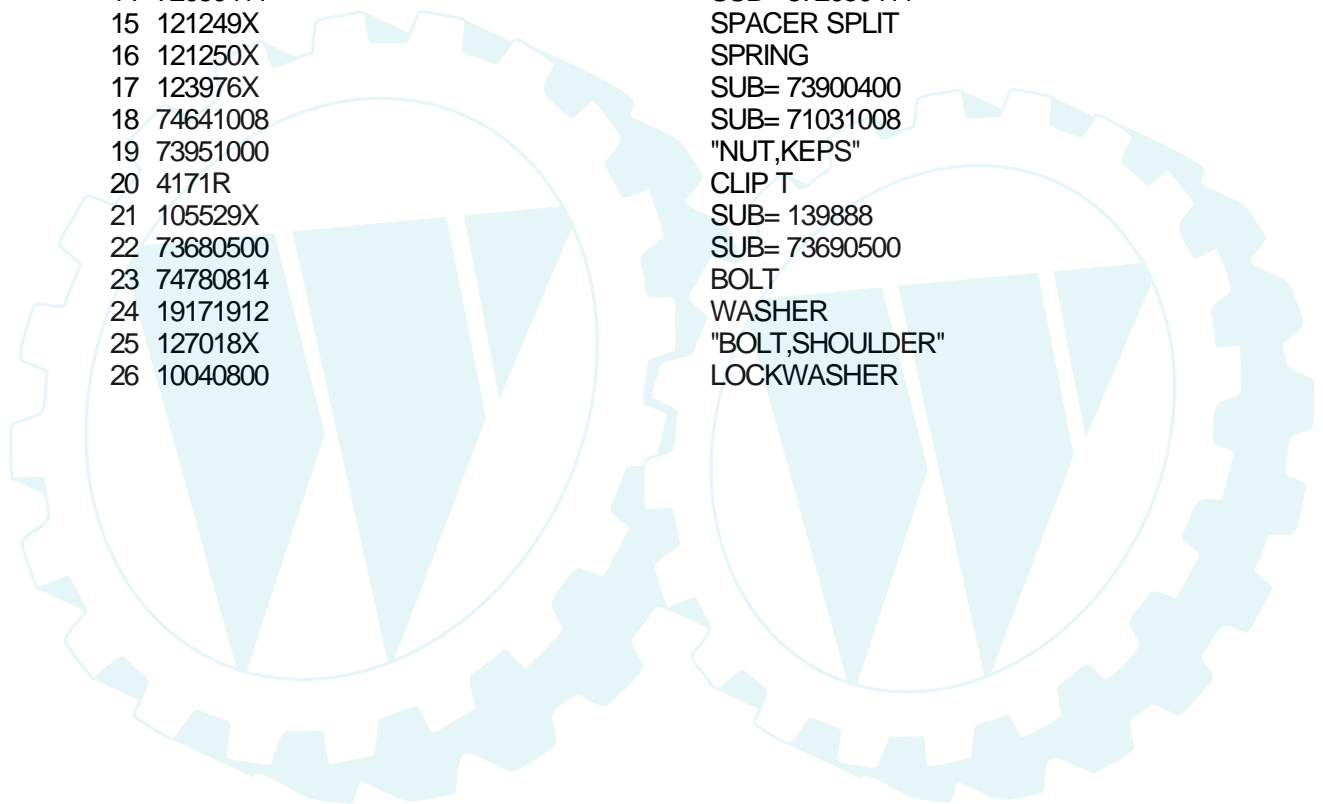
SCHEMATIC



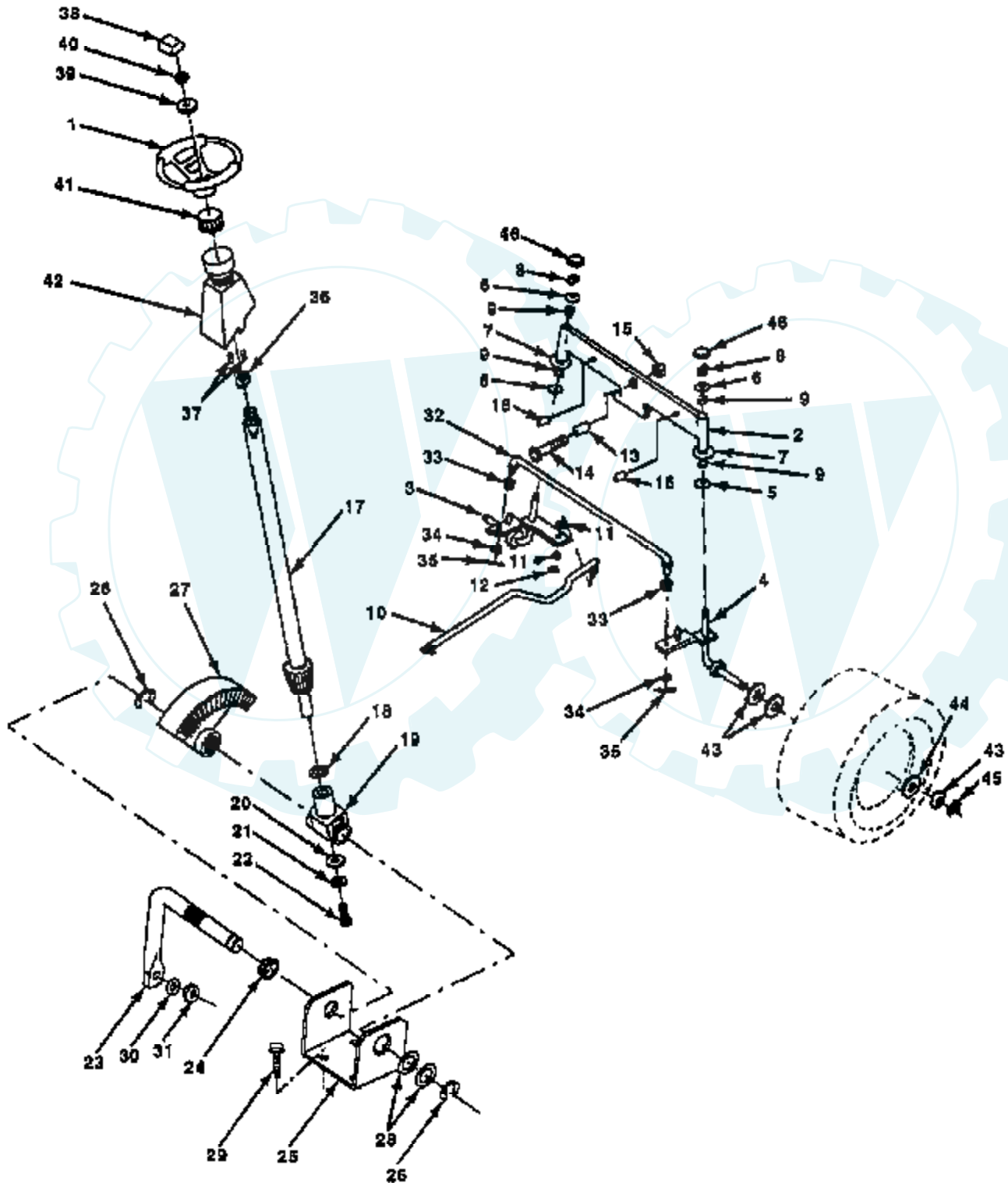
12 HP 38' TRACTOR -- MODEL NUMBER AYP7122B29 SEAT ASSEMBLY



Ref #	Part Number	Qty	Description
1	134647		SUB= 140119
2	126656X		SUB= 140551
3	74760612		SUB= 74780612
4	19131210		WASHER
5	2751R		CLIP T
6	73680600		SUB= 73690600
7	124181X		SPRING COMPRESSIO
8	17490616		SCREW GTV
9	19131614		WASHER
10	131451		SUB= 155925
11	121251X		STRIP FORM
12	121246X		BRKT SWITCH
13	121248X		BUSHING
14	72050411		SUB= 872050411
15	121249X		SPACER SPLIT
16	121250X		SPRING
17	123976X		SUB= 73900400
18	74641008		SUB= 71031008
19	73951000		"NUT,KEPS"
20	4171R		CLIP T
21	105529X		SUB= 139888
22	73680500		SUB= 73690500
23	74780814		BOLT
24	19171912		WASHER
25	127018X		"BOLT,SHOULDER"
26	10040800		LOCKWASHER



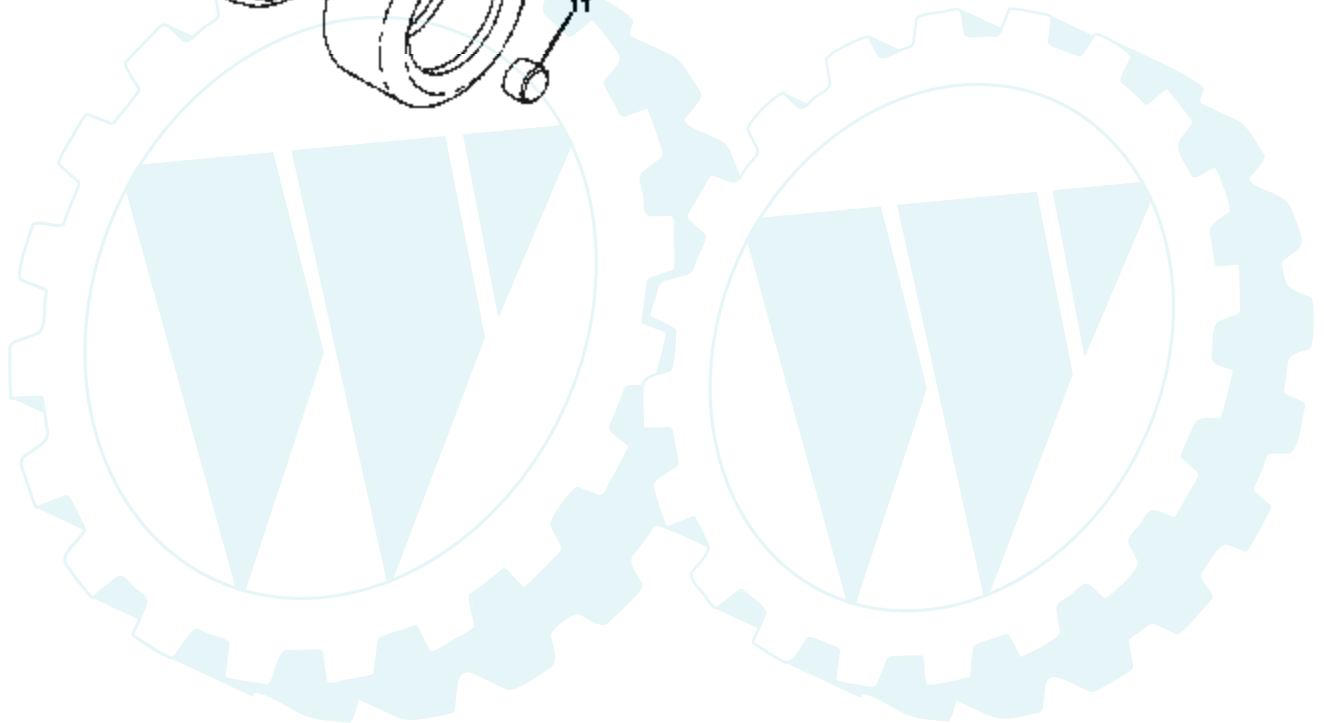
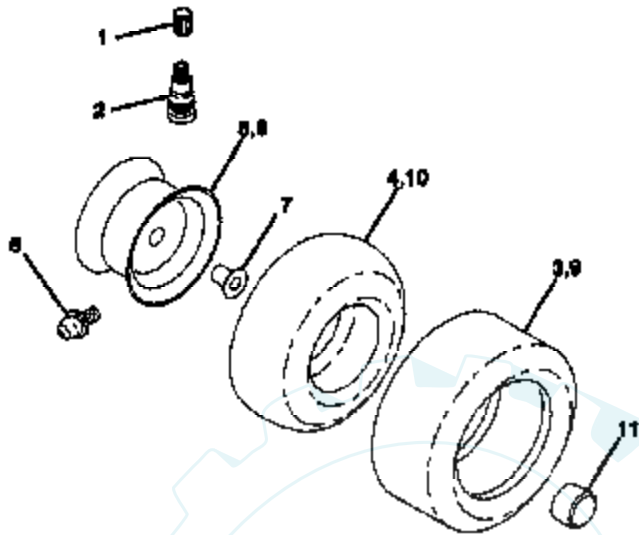
12 HP 38" TRACTOR - - MODEL NUMBER AYP7122B29 STEERING ASSEMBLY



Ref #	Part Number	Qty	Description
1	133741		SUB= 150547
2	131450		SUB= 142033
3	135227		SPINDLE LH
4	135228		SPINDLE RH
5	6266H		WASHER .T
6	121748X		WASHER
7	19272016		WASHER
8	12000029		RING
9	3366R		COL. SRTG. BEAR.
10	130468		SUB= 532130468
11	10040600		LOCKWASHER
12	73610600		SUB= 7810H
13	110438X		BEARING
14	74011056		BOLT HEX 5/8-11
15	73601000		SUB= 73901000
16	132624		AXLE PIN
17	132614		SHAFT ASM
18	57079		THRUST WASHER
19	124035X		SUPPORT.SHAFT
20	126684X		SUB= 532126684
21	10040400		LOCKWASHER
22	71070410		"SCREW,SPECIAL"
23	127501		SUB= 918127501
24	109816X		NYLINER T
25	124036X		"BRKT,STEERING"
26	12000029		RING
27	124034X		SUB= 136874
28	6266H		WASHER .T
29	17490612		SCREW
30	10040600		LOCKWASHER
31	73610600		SUB= 7810H
32	130465		TIE ROD
33	126847X		BUSHING.DRAGLINK
34	19131416		WASHER
35	76020412		COTTER PIN
36	132196		SUB= 155106
37	17431008		SUB= 98000165
38	133742		ST WHL INSERT CAP
39	19133808		WASHER T
40	7810H		GRIPCO NUT
41	104820X		ADAPTER-WHEEL LT
42	124418X		"TUBE, STR SHAFT"
43	121749X		WASHER
44	121748X		WASHER
45	12000029		RING
46	121232X		CAP

12 HP 38' TRACTOR - - MODEL NUMBER AYP7122B29

WHEELS AND TIRES



Ref #	Part Number	Qty	Description
1	59192		VALVE CAP
2	65139		VALVE STEM LT
3	106222X		SUB= 122073X
4	59904		TUBE.5.3/4.5/6
5	106732X311		SUB= 106732X427
6	278H		FITTING LT
7	9040H		"FLANGE, BEARING"
8	106108X311		SUB= 106108X427
9	106268X		SUB= 122074X
10	7152J		TUBE.18X9.5-8
11	104757X		HUB CAP

