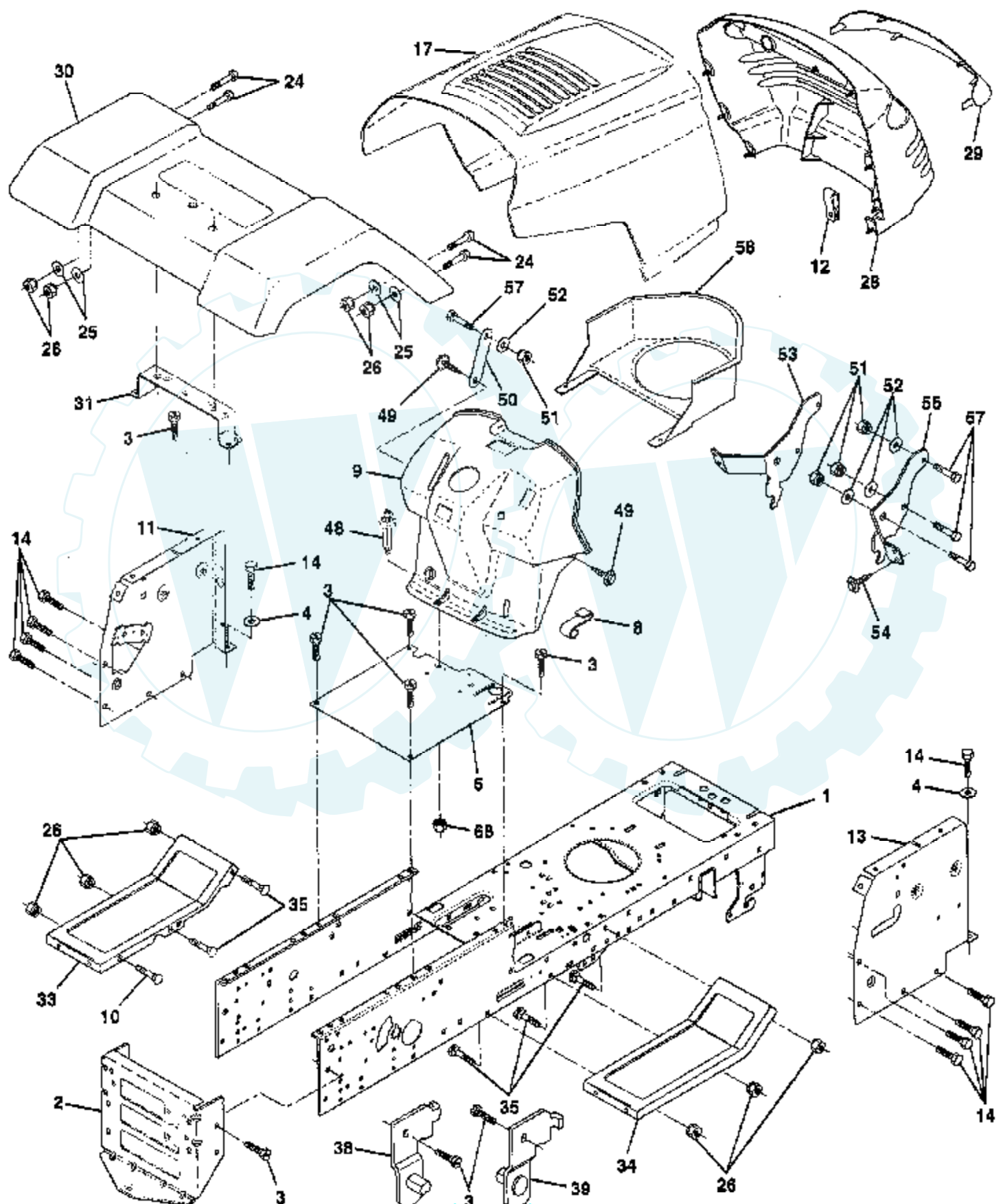


TRACTOR - - MODEL NUMBER AYP1143A69

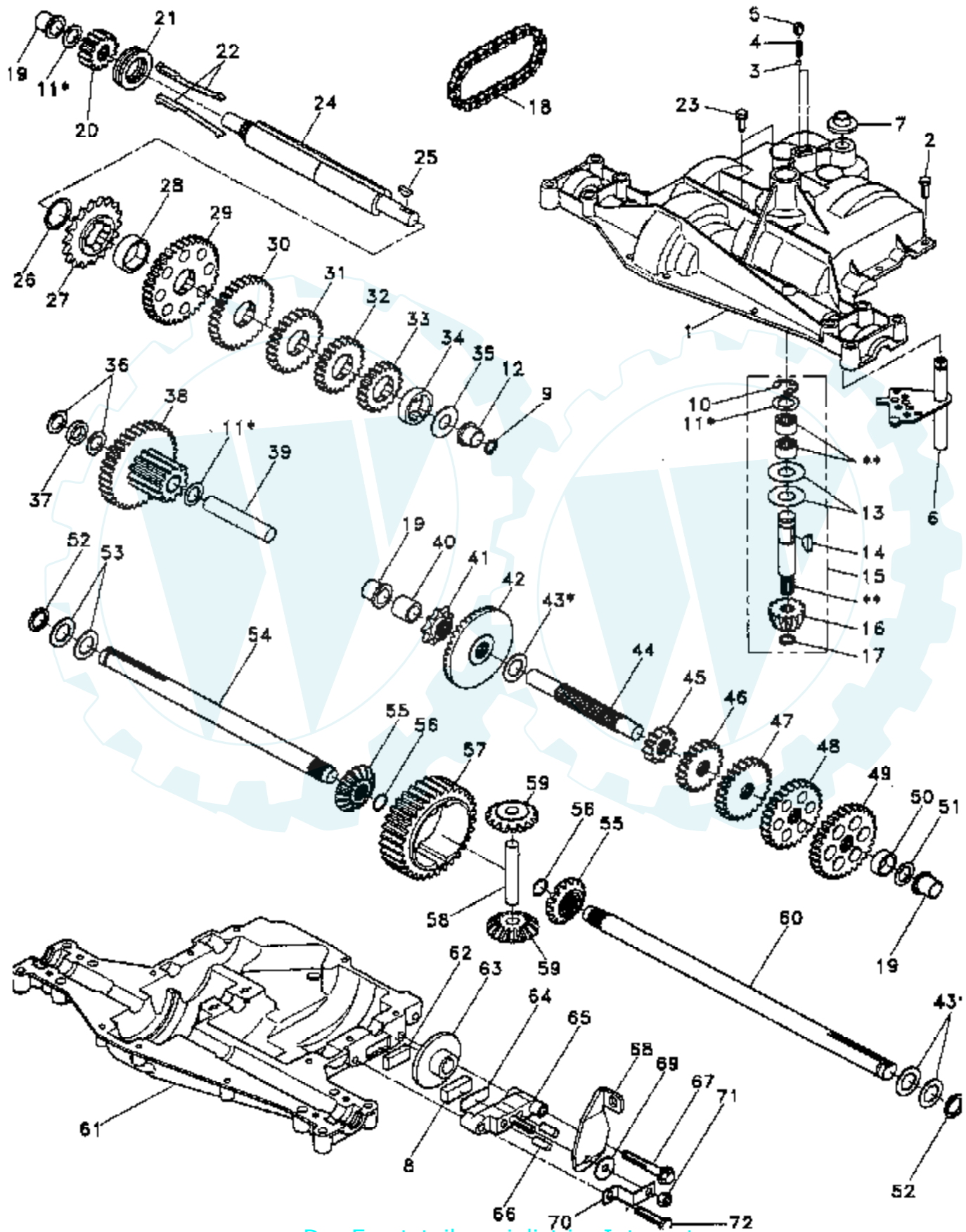
CHASSIS AND ENCLOSURES



Ref #	Part Number	Qty	Description
1	145501		CHASSIS.WLD.11GA
2	140356		SUB= 145009
3	17490612		SCREW
4	19131216		WASHER
6	145208X015		SUB= 155924X014
8	126471X		"CLIP,INSULATOR"
9	140072		SUB= 532142465
10	72140608		SUB= 72110608
11	146965		PANEL.DASH.LH.
12	145660		CLIP.TINNERMAN
13	146959		PANEL.DASH.RH
14	17490608		SCREW LT
17	139394X505		SUB= 159639X505
23	124028X		SUB= 532124028
24	74780616		BOLT
25	19131312		WASHER
26	73800600		NUT
28	140141		SUB= 157373
29	140273		LENS GRILLE
30	109872X505		FENDER
31	136619		BRKT FENDER
33	105476X505		FOOTREST LH
34	10547X505		FOOTREST
35	72110606		BOLT
38	139886		BRACKET ASM LH
39	139887		BRACKET ASM RH
48	138096		RIVET.PUSH.PLATE
49	17490412		SCREW HEX CRT
50	142779		BRACE SUPT DASH
51	73800400		NUT
52	19091416		WASHER
53	144697		BRACKET.GRILLE.LH
54	17030814		SUB= 91817030814
55	144696		BRACKET.GRILLE.RH
57	74780412		SUB= 74780414
58	150127		AIR DUCT
68	73510400		NUT
	5479J		PLUG BUTTON T
	134014		PLUG DOME

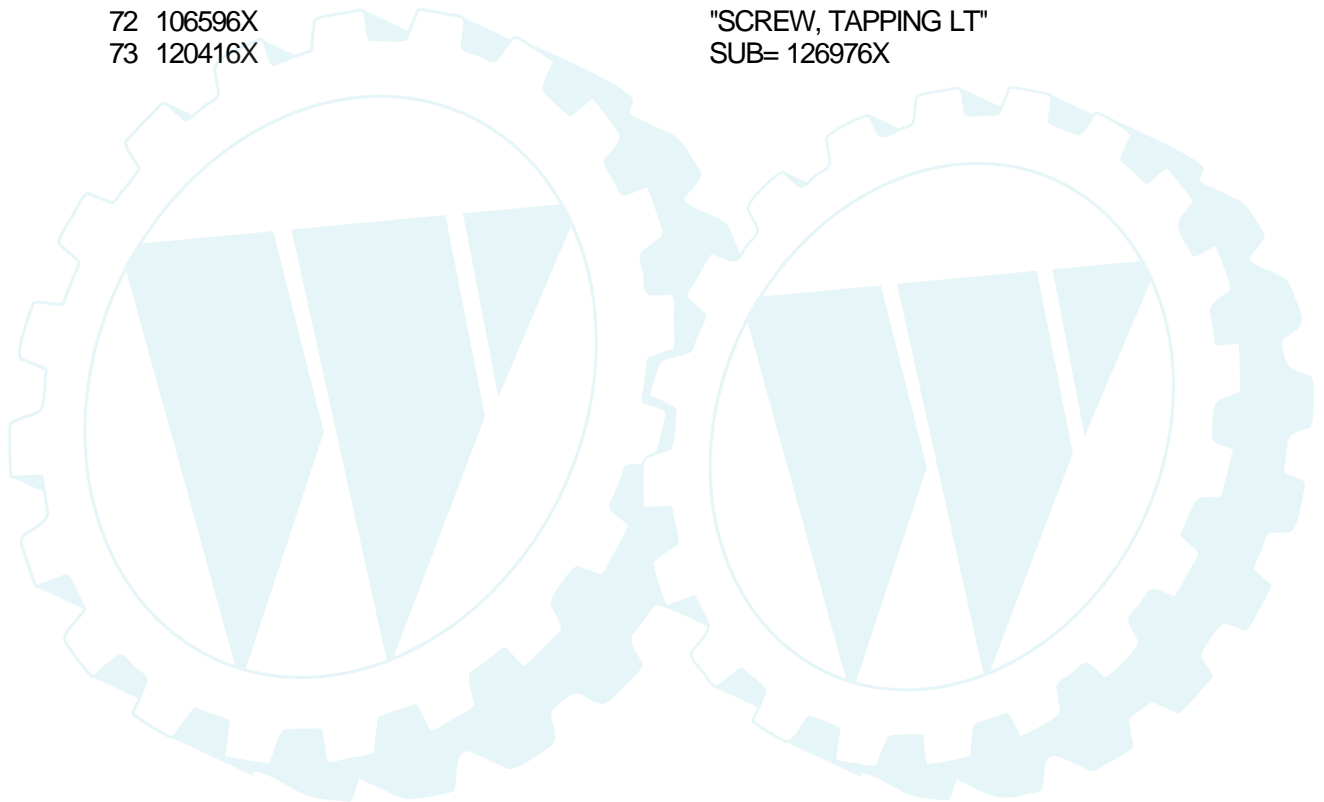
TRACTOR -- MODEL NUMBER AYP1143A69

DANA TRANSAXLE - MODEL NUMBER 4360-78



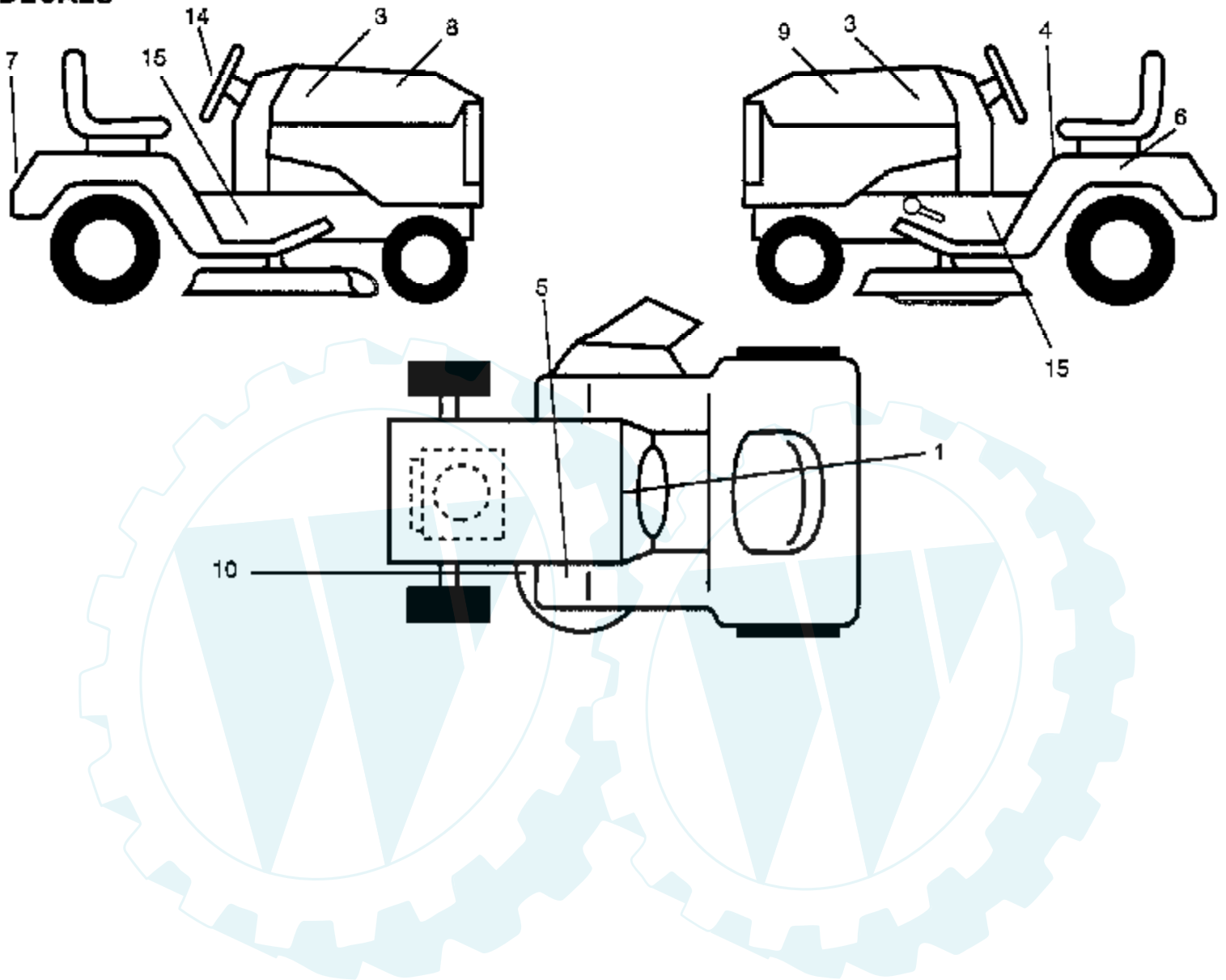
Ref #	Part Number	Qty	Description
1	142671		HOUSING UPPER TRN
2	2274J		SUB= 74760412
3	134400		SUB= 68003
4	105904X		"SPRING, DETENT LT"
5	105905X		"SCREW, SET LT"
6	138235		KIT SHIFTER ASM
7	134399		SHIFTER BOOT
8	120951X		PUCK T
9	143045		SEAL OIL DANA5416
10	142672		SUB= 2225J
11	134793		ASM KIT SHIM 4689
12	143051		SUB= 148268
13	120415X		WASHER T
14	142674		KEY WOODRUFF-DANA
15	138234		AS KIT INPUT SHFT
16	110078X		PINION 14T T
17	105909X		"RING,RETAINING LT"
18	105910X		"CHAIN,24 PTCH LT"
19	105911X		BEARING.FLNG.5510
20	142675		GEAR SPUR 14 TTH
21	138246		COLLAR CLUTCH
22	138236		ASM KIT CLTCH KEY
23	134791		SCREW TAP W/SEAL
24	142676		SHAFT INTERM DANA
25	2244J		WOODRUFF KEY
26	105916X		"RING,RETAINING LT"
27	120470X		SPROCKET 18T T
28	110070X		SPACER YT
29	142677		GEAR SPUR 37 TTH
30	120405X		SUB= 124644X
31	108980X		GEAR 25T LT
32	120406X		GEAR SPUR 22 TT
33	134796		SPUR GEAR 19T
34	134797		SPACER
35	105925X		"WASHER, PLAIN LT"
36	2232J		WASHER 025
37	108978X		SPACER
38	110079X		ASSM GEAR COMB
39	124639X		SHAFT IDLER
40	120472X		SPACER T
41	105928X		SPROCKET 9T LT
42	110084X		SUB= 167148
43	134394		ASM KIT SHIM
44	120473X		SHAFT T
45	142678		GEAR SPUR 12 TTH
46	120407X		SUB= 124641X
47	106589X		"GEAR, SPUR 25T LT"
48	120408X		GEAR 28T T
49	105937X		"GEAR, SPUR 31T LT"
50	105936X		SPACER LT
51	2226J		WASHER 060
52	134401		NEOPRENE WASHER
53	2264J		WASHER 031
54	120474X		SUB= 154658
55	110081X		GEAR 15T T
56	105941X		"RING,RETAINING LT"
56	105941X		"RING,RETAINING LT"
57	110071X		SUB= 120478X

Ref #	Part Number	Qty	Description
58	120952X		SHAFT T
59	110082X		GEAR 1ST T
60	120475X		SUB= 154659
61	142680		HOUSING LOWER TNS
62	120961X		PUCK T
63	7294J		BRAKE DISC. T
64	108989X		SPACER LT
65	120953X		SUB= 918120953X
66	120954X		PIN T
67	134799		TAP SCREW
68	138244		SUB= 108992X
39	108996X		WASHER LT
70	120956X		NLA
71	73810500		NUT.LOCK.5/16-24
72	106596X		"SCREW, TAPPING LT"
73	120416X		SUB= 126976X



TRACTOR - - MODEL NUMBER AYP1143A69

DECALS

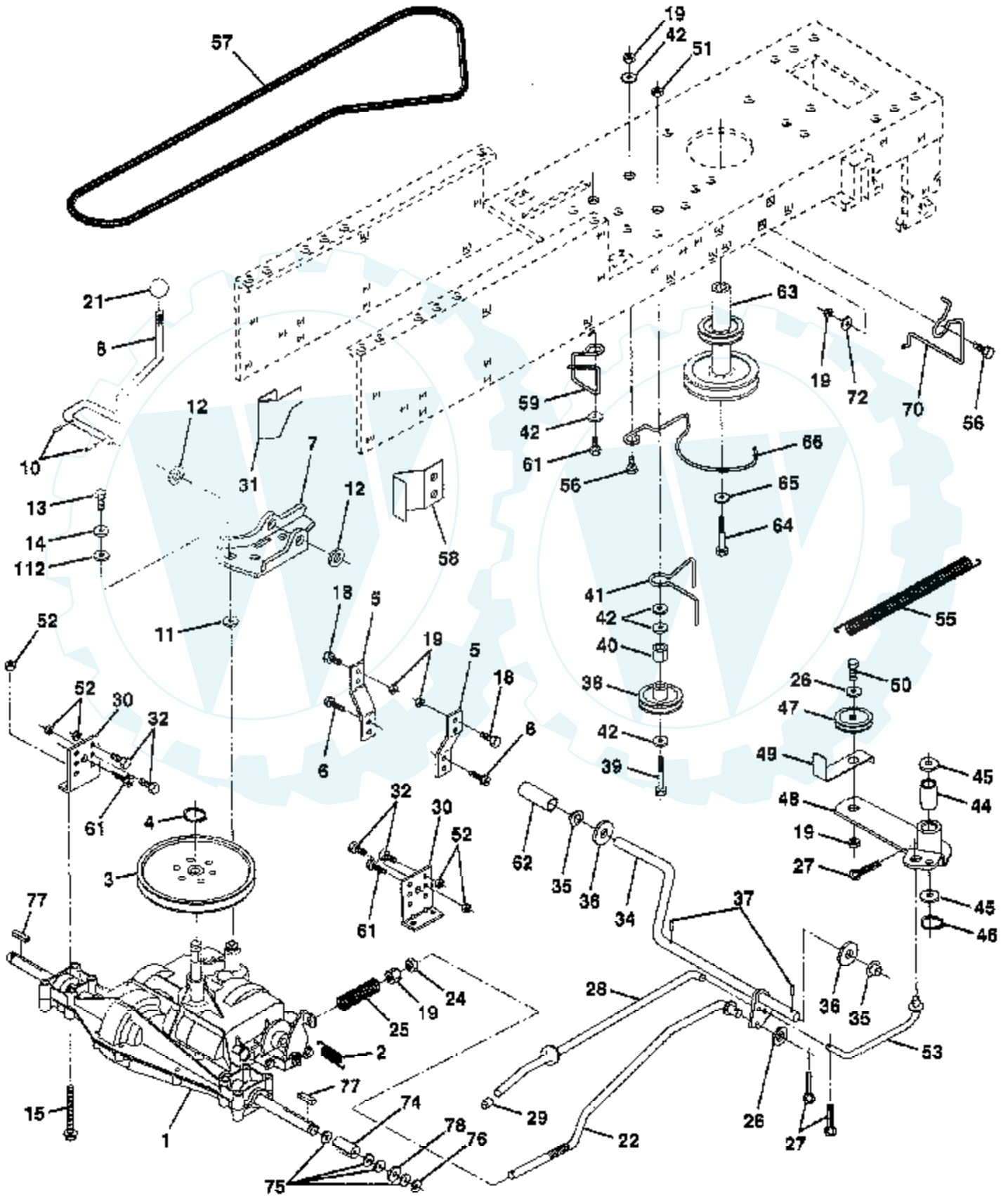


Ref #	Part Number	Qty	Description
1	140819		SUB= 156867
3	146606		DECAL.INS.HD.14.5
4	133796		DECAL
5	4900J		DECAL T
6	146451		DECAL.BTRY.DANGER
7	127521		NLA
8	146676		DECAL.HD.RH.WIZAR
9	146677		DECAL.HD.LH.WIZAR
10	136832		DECAL
14	146678		DECAL.INS.STRG.WL
15	141505		DECAL CHASSIS WIZ
	138311		DECAL HANDLE LIFT
	152744		MANUAL.O.9167A69



TRACTOR -- MODEL NUMBER AYP1143A69

DRIVE



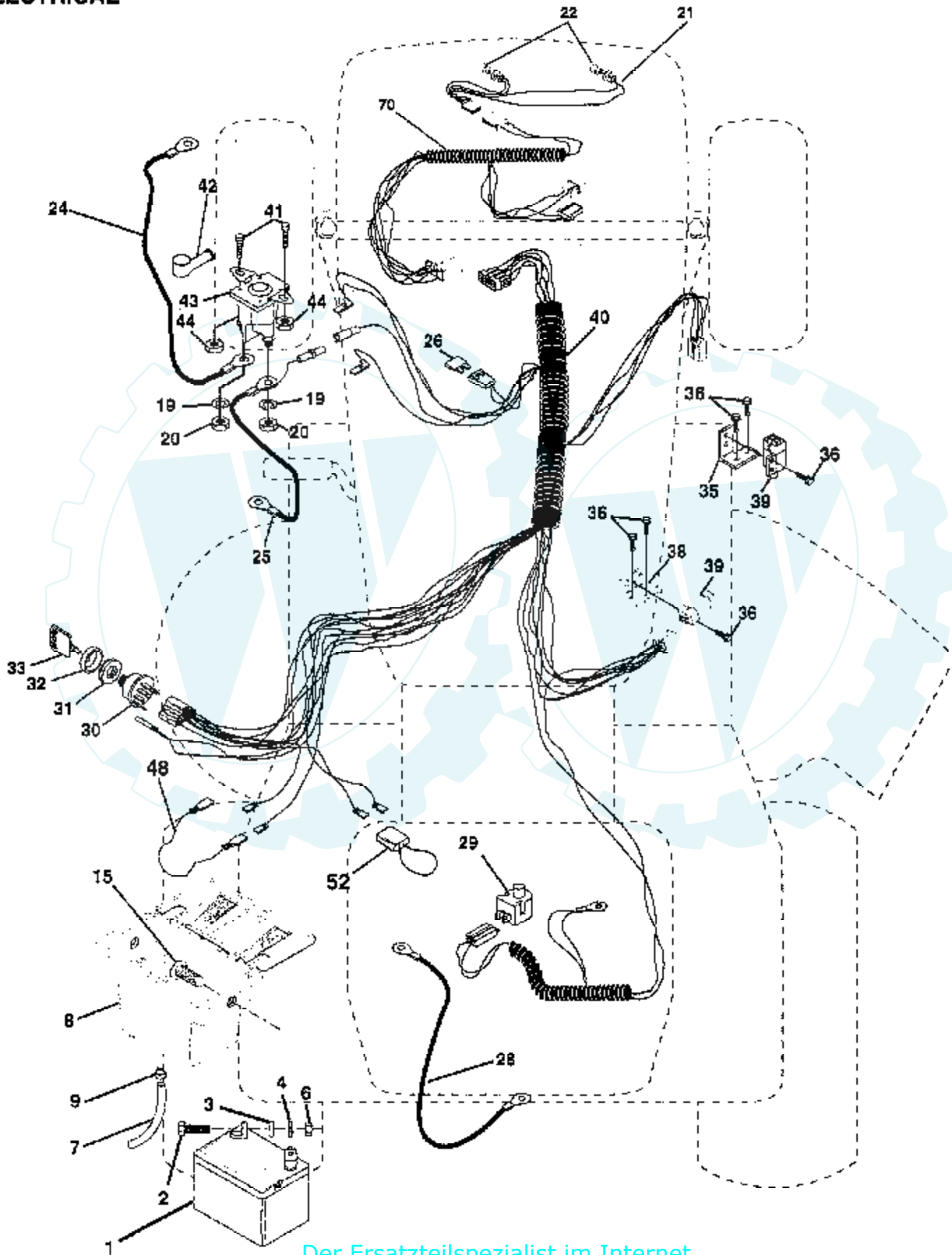
Ref #	Part Number	Qty	Description
1	142602		SUB= 160851
2	146682		SPRING.BRAKE.RETU
3	123666X		PULLEY TRANS
4	12000028		SUB= 2267J
5	121520X		STRAP TORQUE
6	17490512		SCREW
7	130802		SUB= 162240
8	131679		SHIFT ROD
10	76020416		PIN COTTER 1/8
11	105701X		WASH-SHFT PLT LT
12	19151216		WASHER
13	74550412		BOLT.1/4-28.W/PAT
14	10040400		LOCKWASHER
15	74497449		BOLT FLANGE 5/16-18
18	74780616		BOLT
19	73800600		NUT
21	106933X		KNOB T (1/2-HOLE)
22	130804		BRAKE ROD
24	73350600		NUT
25	106888X		SPRING ROD LT
26	19131316		WASHER
27	76020412		COTTER PIN
28	145204		ROD.BRAKE.PARK.LT
29	71673		PLUNGER CAP T
30	130807		TRANSAXLE MTG BKT
31	127275X		"KEEPER,BELT LH T"
32	74760512		BOLT
34	149001		SHAFT.PEDAL.FOOT
35	120183X		NYLON BEARING
36	19211616		WASHER LT
37	1572H		SUB= 2882J
38	123674X		PULLEY.IDLER.FLAT
39	74760644		BOLT
40	4470J		SPACER T
41	109070X		BELT KEEPER LT
42	19131312		WASHER
44	105706X		"LY, BEARING"
45	110812X		WASHER LT
46	12000039		KLIP RING
47	127783		SUB= 139245
48	123789X		ARM IDLER
49	123205X		RETAIN BELT
50	74760624		SUB= 74930624
51	73680600		SUB= 73690600
52	73680500		SUB= 73690500
53	105710X		"LINK, CLUTCH T"
55	105709X		"SPRING, RETURN LT"
56	74760620		SUB= 74780620
57	130801		SUB= 138255
58	127274X		"KEEPER,BELT RH T"
59	140312		KEEPER BELT CNTSP
61	17490612		SCREW
62	8883R		PEDAL COVER T
63	140186		PULLEY.ENGINE
64	71170764		BOLT
65	10040700		LOCKWASHER
66	129921		KEEPER BELT ENGL
70	134683		KEEPER BELT ENG

Ref #	Part Number	Qty	Description
72	19132012		WASHER
74	109502X		SPACER LT
75	121749X		WASHER
76	12000001		E-RING LT
77	123583X		SQUARE KEY
78	121748X		WASHER
100	19111216		WASHER M
112	19091210		WASHER LT



TRACTOR -- MODEL NUMBER AYP1143A69

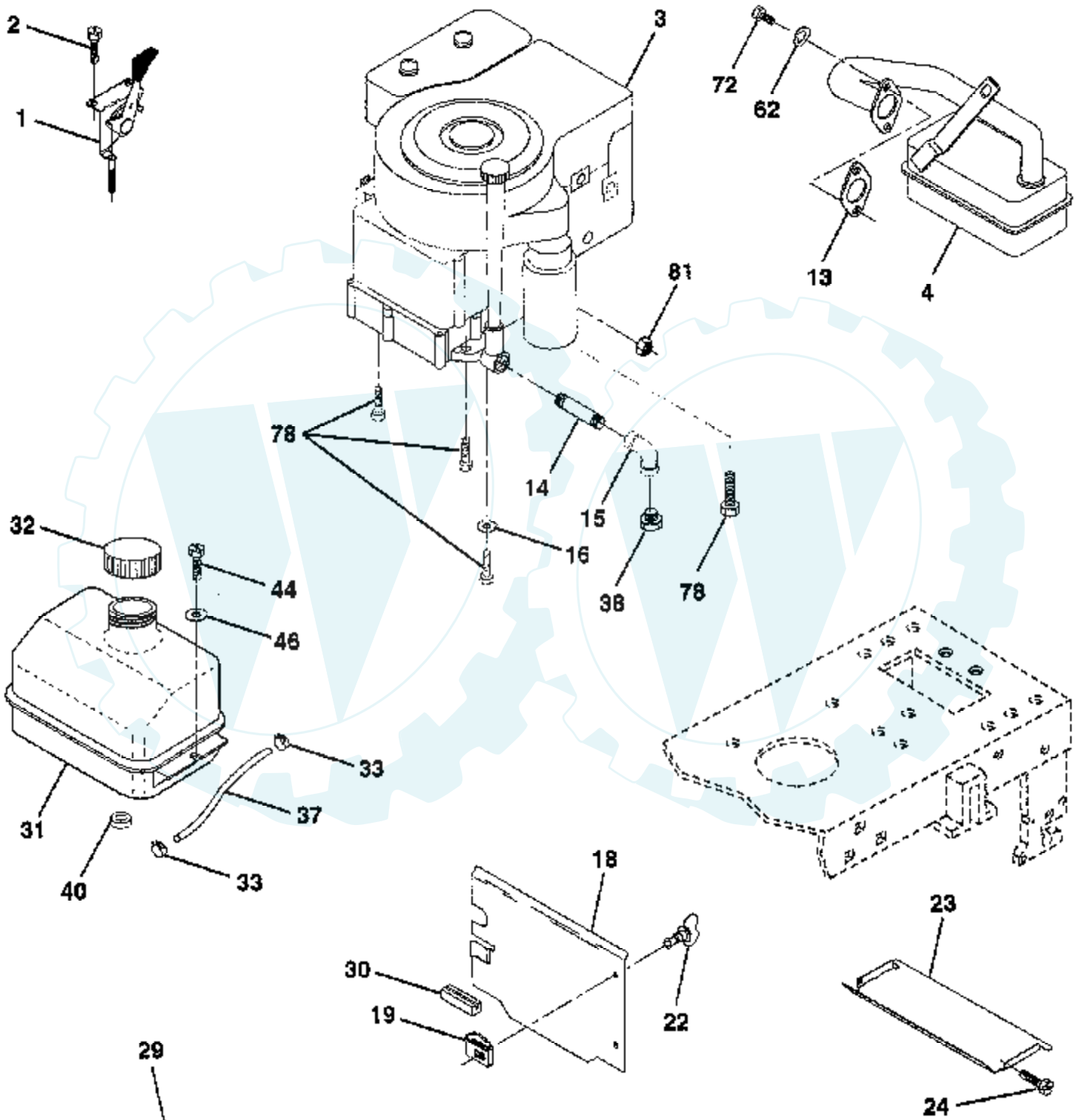
ELECTRICAL



Ref #	Part Number	Qty	Description
1	146139		SUB= 123899X
2	74760412		BOLT LT
3	19091016		WASHER
4	10040400		LOCKWASHER
6	73220400		SUB= 50675
7	109238X		TUBE T
8	144940		SUB= 156417
9	109596X		HOSE CLAMP T
15	147688		FASTNER.SNAP-IN
19	10090400		SUB= 10040400
20	73350400		NUT
21	136850		"HARNES,LIGHT SOC"
22	4152J		HEADLAMP BULB
24	4799J		"CABLE T, BATTERY"
25	146147		CABLE.BTRY.6GA.RD
26	108824X		FUSE HYT
28	4207J		CABLE T
29	121305X		SWITCH SEAT
30	140301		SWITCH IGN 4POS
31	124211X		NUT IGNITION
32	141226		COVER KEY SWITCH
33	122147X		KEY
35	108236X		BRACKET LT
36	17021008		SCREW
38	140336		BRACKET SWITCH IN
39	109553X		SWITCH INTERLOCKT
40	151212		HARNES.IGNITION
41	71110408		BOLT HXHD FIN
42	131563		SUB= 154336
43	145673		SUB= 146154
44	73800400		NUT
48	140844		ADAPTER AMMETER
52	141940		PROTECTION LOOP
70	141164		HARNES ENGINE

TRACTOR - - MODEL NUMBER AYP1143A69

ENGINE

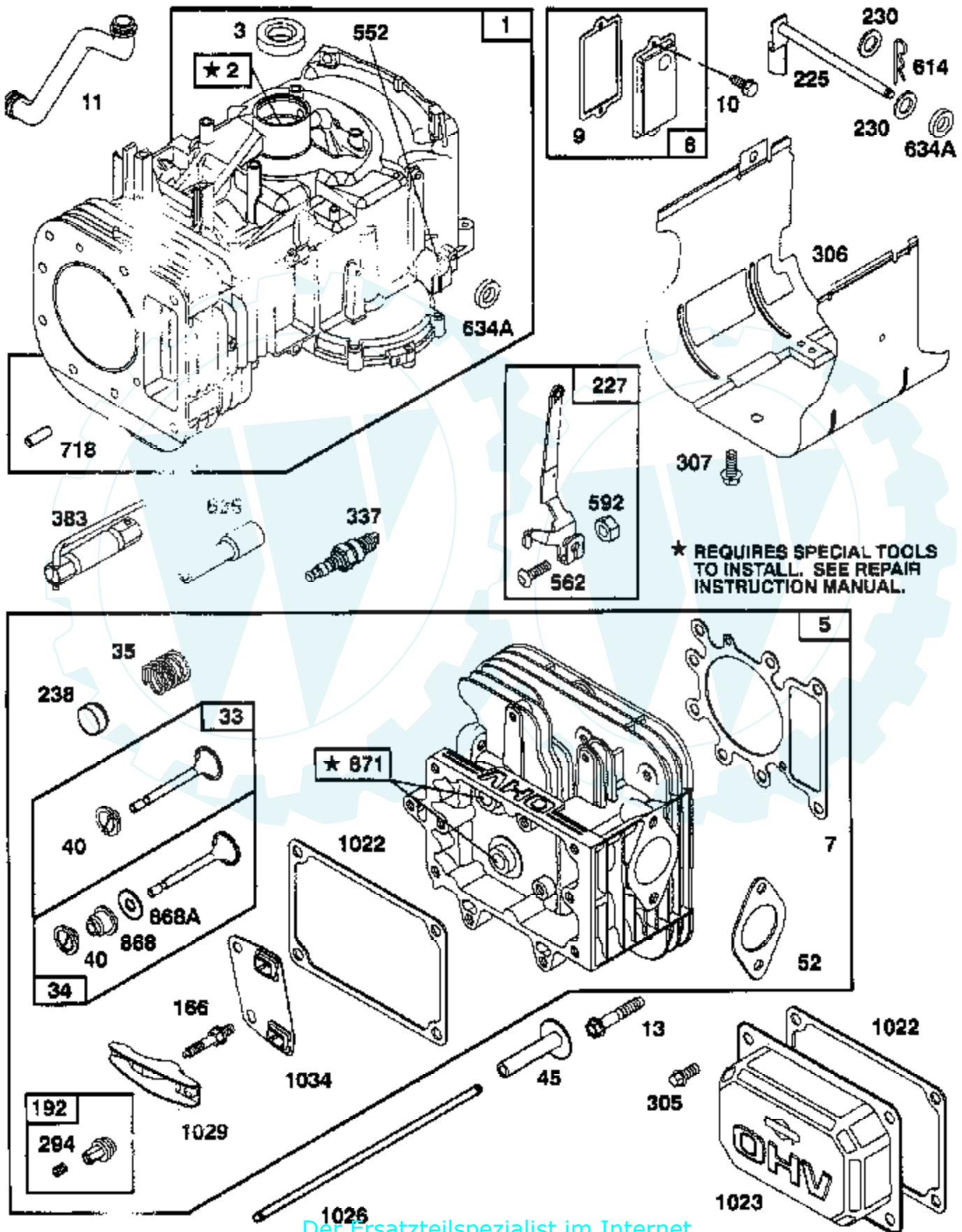


OPTIONAL EQUIPMENT
Spark Arrester

Ref #	Part Number	Qty	Description
1	140310		CONTROL THROTTLE
2	17720410		SCREW LT
3			REFER TO IMAGE
4	137352		MUFFLER
13	272293		GASKET ENG 1 313 LD TIN PLATED
14	13280324		PIPE NIPPLE
15	13200300		ELBOW
16	11050600		LOCKWASHER
18	136718		SHIELD HEAT
19	105839X		RECEPTACLE LT
22	149793		"STUD 1/4 TURN,BUS"
23	128953		HEAT SHIELD
24	17021008		SCREW
29	137180		SUB= 532137180
30	127057X		SUB= 532127057
31	109202X		TANK.FUEL.LT.
32	140527		CAP ASM FUEL
33	123487X		HOSE CLAMP
37	137040		LINE FUEL
38			REFER TO IMAGE
40	124028X		SUB= 532124028
44	17490412		SCREW HEX CRT
46	19091416		WASHER
62	10040500		LOCKWASHER
72	71070512		SCREW
78	17490620		SCREW
81	128861		NUT

TRACTOR - - MODEL NUMBER AYP1143A69

BRIGGS & STRATTON ENGINE - MODEL NUMBER 287707, TYPE NUMBER 0634-A1

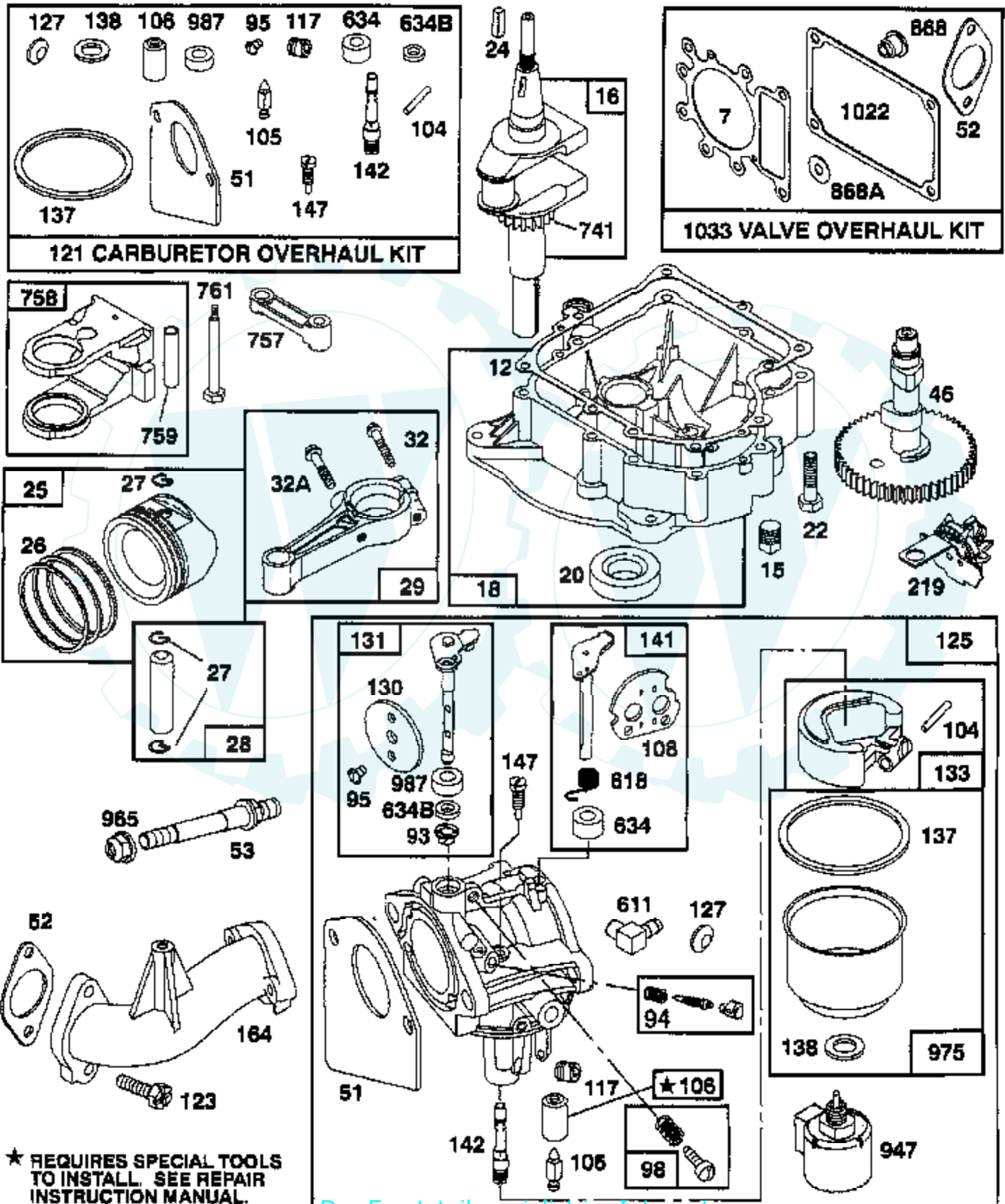


Ref #	Part Number	Qty	Description
284	94704		SCREW, AIR CLEANER
284A	94903		SCREW, HEX HEAD
294	810068		SCREW, SET
304	496281		HOUSING, BLOWER
305	94930		SCREW
306	225020		SHIELD, CYLINDER
307	94623		SCREW, SEMS, CYLINDER SHIELD MTG.
309	497595		MOTOR, STARTING, 12 VOLT
310	497602		BOLT, THRU
311	497608		BRUSH SET
333	495859		ARMATURE, MAGNETO
334	93381		SCREW, SEM, ARMATURE MOUNTING
337	491055		PLUG, SPARK
346	94909		SCREW, HEX HEAD
356	497708		WIRE ASSY
356A	494705		WIRE, STOP
358	495993		GASKET SET
363	19203		PULLER, FLYWHEEL
383	89838		WRENCH SPARK PLUG
423	94903		SCREW, HEX HEAD
445	496894		CARTRIDGE, AIR CLEANER
455	222561		CUP, SCREEN MOUNTING
467	493903		KNOB, AIR CLEANER
474	393474		STATOR, ALTERNATOR, DUAL CIRCUIT
482	93621		SCREW, SEMS
503	806000		STRAP, STARTER
510	497606		DRIVE, STARTER
523	495230		CAP AND DIPSTICK, OIL FILLER
524	68838		SEAL, FILLER TUBE
525	496113		TUBE, OIL FILLER
535	272403		ELEMENT, AIR CLEANER
537	281106		O-RING, AIR CLEANER
544	497603		ARMATURE, STARTER
552	231597		BUSHING, GOVERNOR CRANK, 1/4" I.D.
562	94907		BOLT, GOVENOR LEVEL
592	231978		NUT, HEX
601	93053		CLAMP, HOSE, GREEN
611	493496		ELBOW, FUEL PIPE
614	93306		COTTER, HAIR PIN
615	263080		RETAINER
618	262803		SPRING, CHOKE RETURN
634	281168		SEAL, CHOKE SHAFT
634A	491323		SEAL, GOVERNOR
634B	281167		WASHER, THROTTLE SHAFT
635	280872		ELBOW, SPARK PLUG
646	224546		BRACE, AIR CLEANER
653	93585		SCREW, HEX HEAD
657	94906		SCREW
663	94929		SCREW, SELF-TAPPING
668	280848		SPACER
718	230192		PIN, DOWEL
726	392134		GEAR, RING
727	490324		COVER, STARTER
728	94951		SCREW, HEX HEAD
729	225170		RETAINER, WIRE
729A	281390		CLIP, WIRE
741	262932		GEAR, TIMING
757	213998		LINK, COUNTERWEIGHT

Ref #	Part Number	Qty	Description
758	399891		COUNTERWEIGHT ASSY
759	289909		PIN, COUNTERWEIGHT
761	94593		SCREW, COUNTERWEIGHT
783	280104		GEAR, STARTER
801	394856		CAP, DRIVE
802	497605		P/N CONFLICT - CHECK WITH SUPPLIER
803	497604		HOUSING, STARTER
842	270920		SEAL, OIL FILLER CAP
847	496415		P/N CONFLICT - CHECK WITH SUPPLIER
851	224110		TERMINAL, IGNITION CABLE
868	494435		SEAL ASSEMBLY, VALVE
868A	272610		GASKET, VALVE
871	262835		BUSHING, GUIDE (INTAKE & EXHAUST)
872	281104		COVER, AIR CLEANER
875	495862		BODY, AIR CLEANER
877	393456		DIODE & CONNECTOR ASSY
947	497157		SOLENOID
965	94010		LOCKNUT, AIR CLEANER MOUNTING
975	495933		BOWL ASSEMBLY, CARBURETOR
977	494385		CARBURETOR GASKET KIT
987	281166		SEAL, THROTTLE SHAFT
1005	281355		FAN, FLYWHEEL
1006	224413		RETAINER, FAN
1019	496758		LABEL KIT
1022	272475		GASKET, COVER
1023	224552		COVER, ROCKER ARM
1026	494432		ROD, PUSH, INTAKE
	495136		ROD, PUSH, EXHAUST
1029	224554		ARM, ROCKER
1033	495992		VALVE OVERHAUL KIT
1034	495248		GUIDE ASSEMBLY, PUSH ROD
1044	94673		SCREW, SHOULDER, HEX HEAD
1058	272623		MANUAL, OWNER'S
1090	497607		P/N CONFLICT - CHECK WITH SUPPLIER
1091	281364		CAP, LIMITER

TRACTOR - - MODEL NUMBER AYP1143A69

BRIGGS & STRATTON ENGINE - MODEL NUMBER 287707, TYPE NUMBER 0634-A1

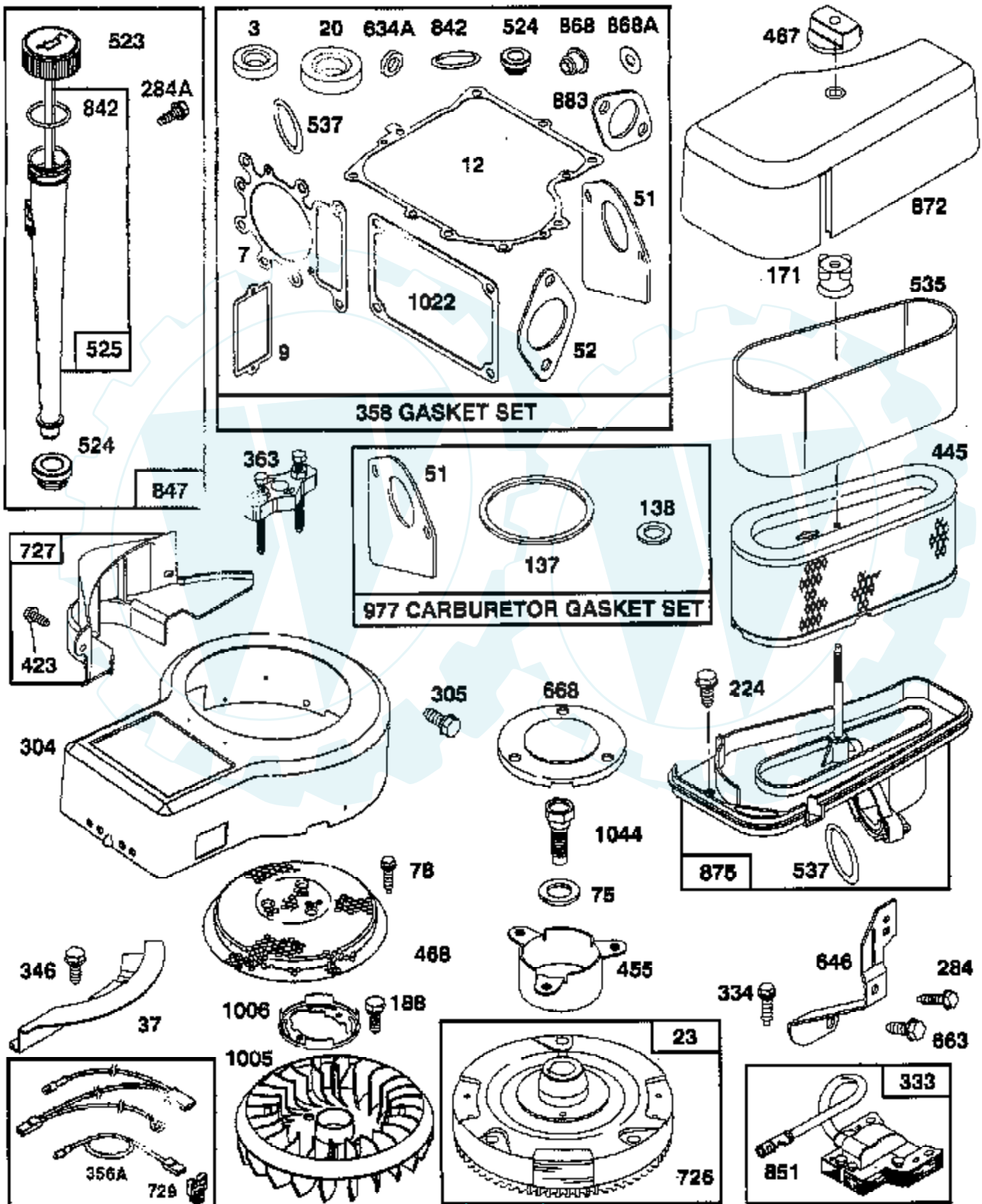


Ref #	Part Number	Qty	Description
284	94704		SCREW, AIR CLEANER
284A	94903		SCREW, HEX HEAD
294	810068		SCREW, SET
304	496281		HOUSING, BLOWER
305	94930		SCREW
306	225020		SHIELD, CYLINDER
307	94623		SCREW, SEMS, CYLINDER SHIELD MTG.
309	497595		MOTOR, STARTING, 12 VOLT
310	497602		BOLT, THRU
311	497608		BRUSH SET
333	495859		ARMATURE, MAGNETO
334	93381		SCREW, SEM, ARMATURE MOUNTING
337	491055		PLUG, SPARK
346	94909		SCREW, HEX HEAD
356	497708		WIRE ASSY
356A	494705		WIRE, STOP
358	495993		GASKET SET
363	19203		PULLER, FLYWHEEL
383	89838		WRENCH SPARK PLUG
423	94903		SCREW, HEX HEAD
445	496894		CARTRIDGE, AIR CLEANER
455	222561		CUP, SCREEN MOUNTING
467	493903		KNOB, AIR CLEANER
474	393474		STATOR, ALTERNATOR, DUAL CIRCUIT
482	93621		SCREW, SEMS
503	806000		STRAP, STARTER
510	497606		DRIVE, STARTER
523	495230		CAP AND DIPSTICK, OIL FILLER
524	68838		SEAL, FILLER TUBE
525	496113		TUBE, OIL FILLER
535	272403		ELEMENT, AIR CLEANER
537	281106		O-RING, AIR CLEANER
544	497603		ARMATURE, STARTER
552	231597		BUSHING, GOVERNOR CRANK, 1/4" I.D.
562	94907		BOLT, GOVENOR LEVEL
592	231978		NUT, HEX
601	93053		CLAMP, HOSE, GREEN
611	493496		ELBOW, FUEL PIPE
614	93306		COTTER, HAIR PIN
615	263080		RETAINER
618	262803		SPRING, CHOKE RETURN
634	281168		SEAL, CHOKE SHAFT
634A	491323		SEAL, GOVERNOR
634B	281167		WASHER, THROTTLE SHAFT
635	280872		ELBOW, SPARK PLUG
646	224546		BRACE, AIR CLEANER
653	93585		SCREW, HEX HEAD
657	94906		SCREW
663	94929		SCREW, SELF-TAPPING
668	280848		SPACER
718	230192		PIN, DOWEL
726	392134		GEAR, RING
727	490324		COVER, STARTER
728	94951		SCREW, HEX HEAD
729	225170		RETAINER, WIRE
729A	281390		CLIP, WIRE
741	262932		GEAR, TIMING
757	213998		LINK, COUNTERWEIGHT

Ref #	Part Number	Qty	Description
758	399891		COUNTERWEIGHT ASSY
759	289909		PIN, COUNTERWEIGHT
761	94593		SCREW, COUNTERWEIGHT
783	280104		GEAR, STARTER
801	394856		CAP, DRIVE
802	497605		P/N CONFLICT - CHECK WITH SUPPLIER
803	497604		HOUSING, STARTER
842	270920		SEAL, OIL FILLER CAP
847	496415		P/N CONFLICT - CHECK WITH SUPPLIER
851	224110		TERMINAL, IGNITION CABLE
868	494435		SEAL ASSEMBLY, VALVE
868A	272610		GASKET, VALVE
871	262835		BUSHING, GUIDE (INTAKE & EXHAUST)
872	281104		COVER, AIR CLEANER
875	495862		BODY, AIR CLEANER
877	393456		DIODE & CONNECTOR ASSY
947	497157		SOLENOID
965	94010		LOCKNUT, AIR CLEANER MOUNTING
975	495933		BOWL ASSEMBLY, CARBURETOR
977	494385		CARBURETOR GASKET KIT
987	281166		SEAL, THROTTLE SHAFT
1005	281355		FAN, FLYWHEEL
1006	224413		RETAINER, FAN
1019	496758		LABEL KIT
1022	272475		GASKET, COVER
1023	224552		COVER, ROCKER ARM
1026	494432		ROD, PUSH, INTAKE
	495136		ROD, PUSH, EXHAUST
1029	224554		ARM, ROCKER
1033	495992		VALVE OVERHAUL KIT
1034	495248		GUIDE ASSEMBLY, PUSH ROD
1044	94673		SCREW, SHOULDER, HEX HEAD
1058	272623		MANUAL, OWNER'S
1090	497607		P/N CONFLICT - CHECK WITH SUPPLIER
1091	281364		CAP, LIMITER

TRACTOR - - MODEL NUMBER AYP1143A69

BRIGGS & STRATTON ENGINE - MODEL NUMBER 287707, TYPE NUMBER 0634-A1

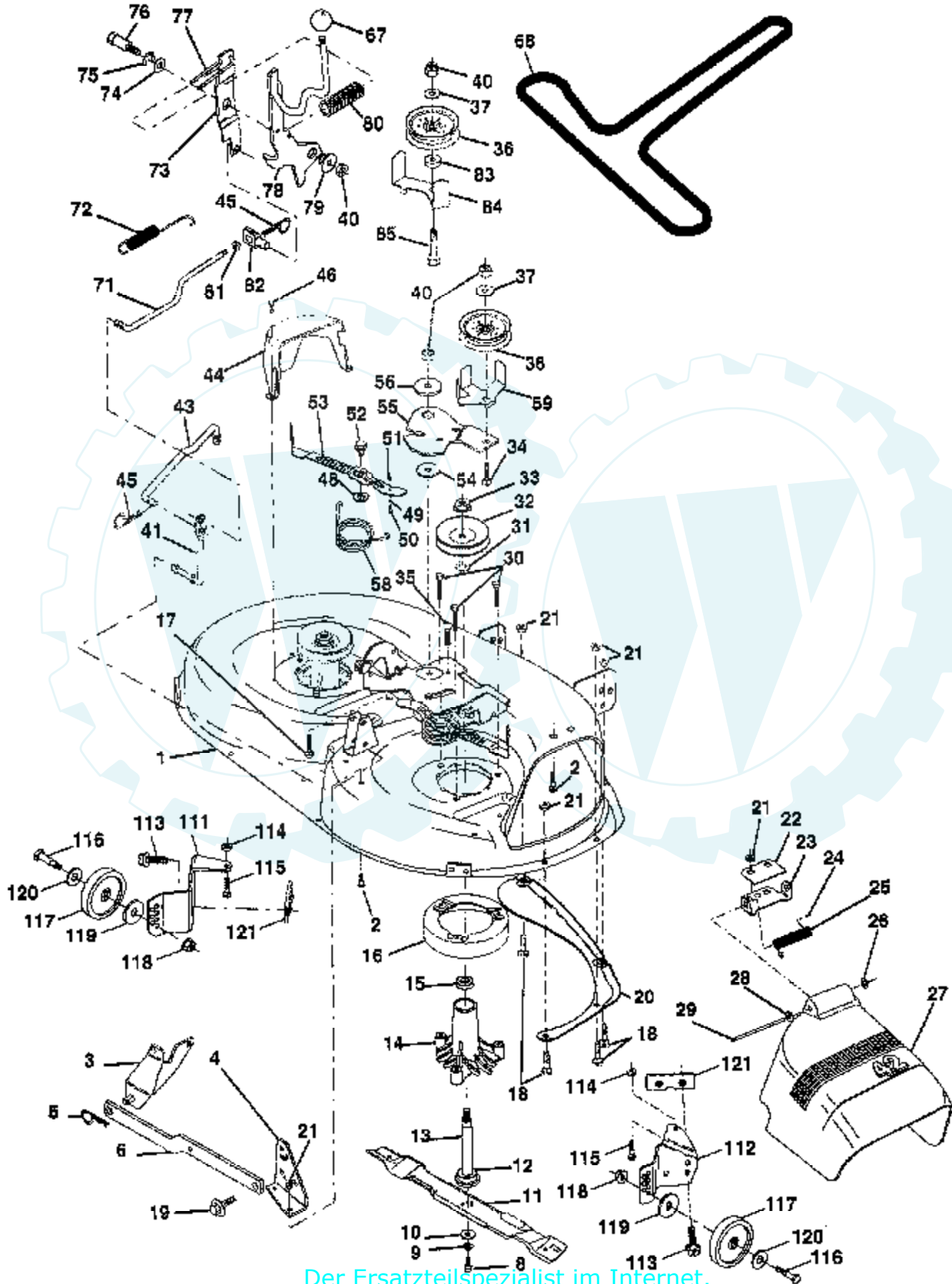


Ref #	Part Number	Qty	Description
284	94704		SCREW, AIR CLEANER
284A	94903		SCREW, HEX HEAD
294	810068		SCREW, SET
304	496281		HOUSING, BLOWER
305	94930		SCREW
306	225020		SHIELD, CYLINDER
307	94623		SCREW, SEMS, CYLINDER SHIELD MTG.
309	497595		MOTOR, STARTING, 12 VOLT
310	497602		BOLT, THRU
311	497608		BRUSH SET
333	495859		ARMATURE, MAGNETO
334	93381		SCREW, SEM, ARMATURE MOUNTING
337	491055		PLUG, SPARK
346	94909		SCREW, HEX HEAD
356	497708		WIRE ASSY
356A	494705		WIRE, STOP
358	495993		GASKET SET
363	19203		PULLER, FLYWHEEL
383	89838		WRENCH SPARK PLUG
423	94903		SCREW, HEX HEAD
445	496894		CARTRIDGE, AIR CLEANER
455	222561		CUP, SCREEN MOUNTING
467	493903		KNOB, AIR CLEANER
474	393474		STATOR, ALTERNATOR, DUAL CIRCUIT
482	93621		SCREW, SEMS
503	806000		STRAP, STARTER
510	497606		DRIVE, STARTER
523	495230		CAP AND DIPSTICK, OIL FILLER
524	68838		SEAL, FILLER TUBE
525	496113		TUBE, OIL FILLER
535	272403		ELEMENT, AIR CLEANER
537	281106		O-RING, AIR CLEANER
544	497603		ARMATURE, STARTER
552	231597		BUSHING, GOVERNOR CRANK, 1/4" I.D.
562	94907		BOLT, GOVENOR LEVEL
592	231978		NUT, HEX
601	93053		CLAMP, HOSE, GREEN
611	493496		ELBOW, FUEL PIPE
614	93306		COTTER, HAIR PIN
615	263080		RETAINER
618	262803		SPRING, CHOKE RETURN
634	281168		SEAL, CHOKE SHAFT
634A	491323		SEAL, GOVERNOR
634B	281167		WASHER, THROTTLE SHAFT
635	280872		ELBOW, SPARK PLUG
646	224546		BRACE, AIR CLEANER
653	93585		SCREW, HEX HEAD
657	94906		SCREW
663	94929		SCREW, SELF-TAPPING
668	280848		SPACER
718	230192		PIN, DOWEL
726	392134		GEAR, RING
727	490324		COVER, STARTER
728	94951		SCREW, HEX HEAD
729	225170		RETAINER, WIRE
729A	281390		CLIP, WIRE
741	262932		GEAR, TIMING
757	213998		LINK, COUNTERWEIGHT

Ref #	Part Number	Qty	Description
758	399891		COUNTERWEIGHT ASSY
759	289909		PIN, COUNTERWEIGHT
761	94593		SCREW, COUNTERWEIGHT
783	280104		GEAR, STARTER
801	394856		CAP, DRIVE
802	497605		P/N CONFLICT - CHECK WITH SUPPLIER
803	497604		HOUSING, STARTER
842	270920		SEAL, OIL FILLER CAP
847	496415		P/N CONFLICT - CHECK WITH SUPPLIER
851	224110		TERMINAL, IGNITION CABLE
868	494435		SEAL ASSEMBLY, VALVE
868A	272610		GASKET, VALVE
871	262835		BUSHING, GUIDE (INTAKE & EXHAUST)
872	281104		COVER, AIR CLEANER
875	495862		BODY, AIR CLEANER
877	393456		DIODE & CONNECTOR ASSY
947	497157		SOLENOID
965	94010		LOCKNUT, AIR CLEANER MOUNTING
975	495933		BOWL ASSEMBLY, CARBURETOR
977	494385		CARBURETOR GASKET KIT
987	281166		SEAL, THROTTLE SHAFT
1005	281355		FAN, FLYWHEEL
1006	224413		RETAINER, FAN
1019	496758		LABEL KIT
1022	272475		GASKET, COVER
1023	224552		COVER, ROCKER ARM
1026	494432		ROD, PUSH, INTAKE
	495136		ROD, PUSH, EXHAUST
1029	224554		ARM, ROCKER
1033	495992		VALVE OVERHAUL KIT
1034	495248		GUIDE ASSEMBLY, PUSH ROD
1044	94673		SCREW, SHOULDER, HEX HEAD
1058	272623		MANUAL, OWNER'S
1090	497607		P/N CONFLICT - CHECK WITH SUPPLIER
1091	281364		CAP, LIMITER

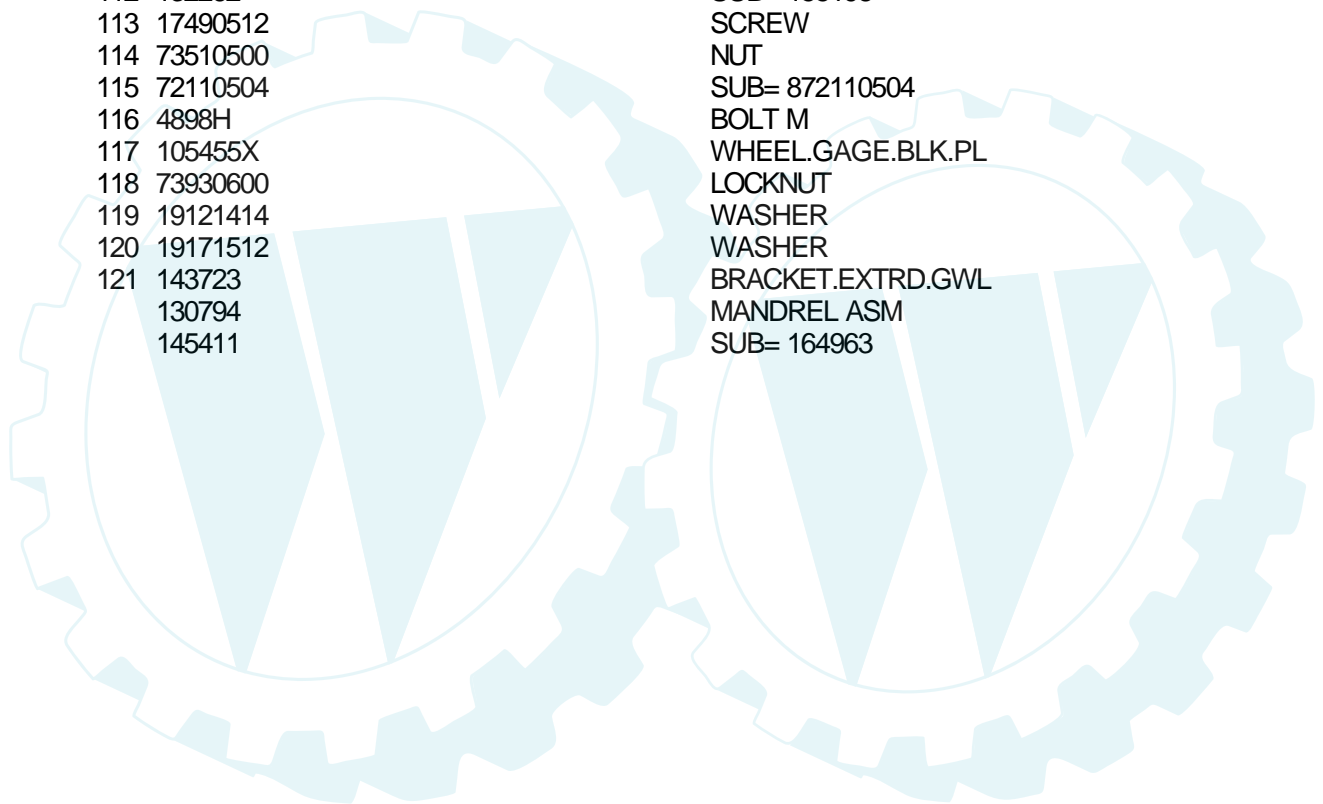
TRACTOR - - MODEL NUMBER AYP1143A69

MOWER DECK



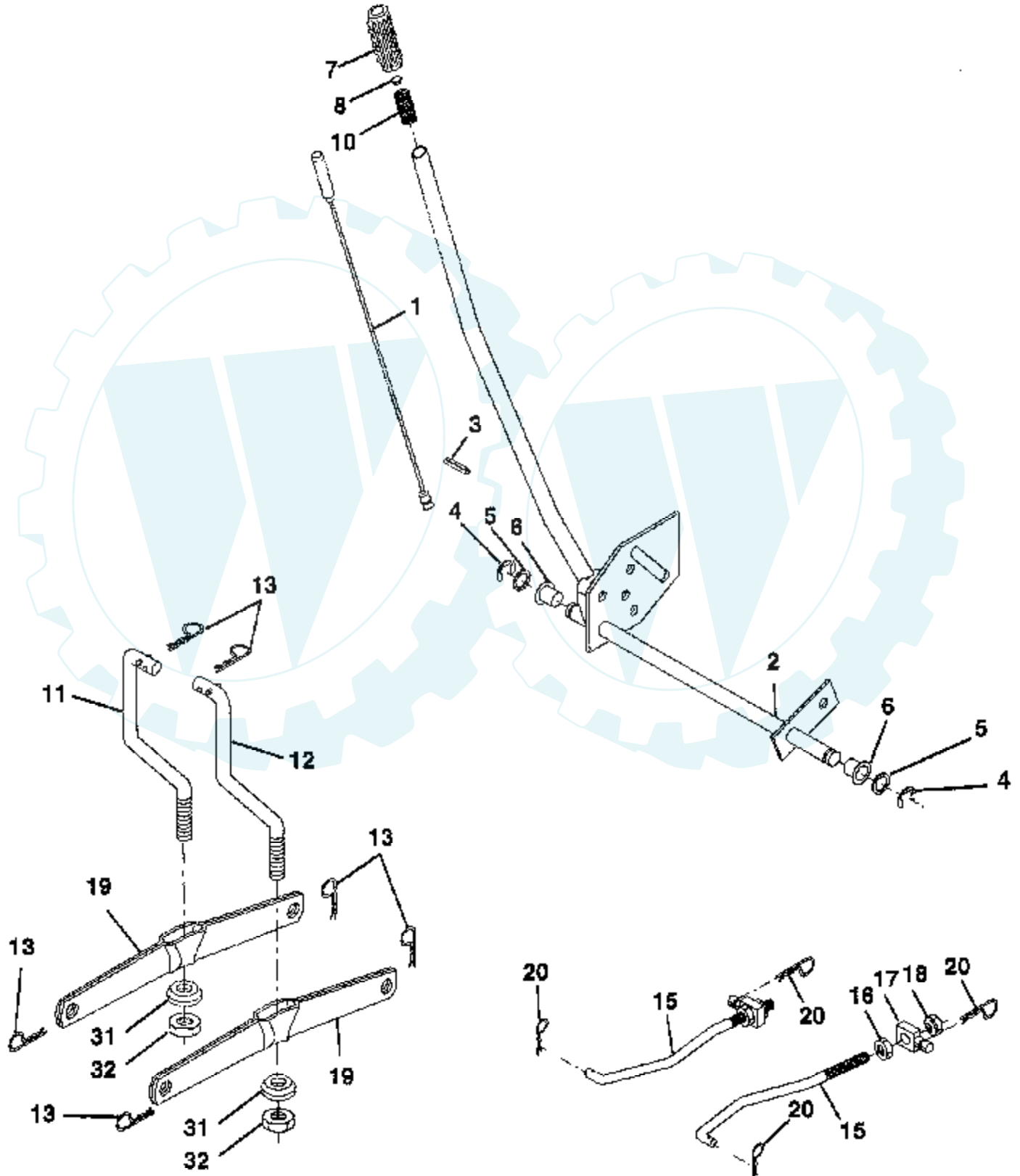
Ref #	Part Number	Qty	Description
1	144393		DECK.WELD.42.
2	72140506		BOLT
3	138017		BRKT ASM SWAY BAR
4	138440		BRKT DECK SW BAR
5	4939M		SUB= 85902
6	130832		SUB= 130833
8	850857		BLADE BOLT
9	10030600		SUB= 10040600
10	140296		WASHER.HARD.BLADE
11	134149		"BLADE.42"" MULCHER"
12	129895		BEARING.BALL
13	137645		SUB= 137646
14	128774		HSG ASM MANDREL
15	110485X		BEARING
14	140329		STRIPPER RND MWR
17	72110610		BOLT RDHD 3/8-16
18	72140505		BOLT
19	132827		BOLT SHD 5/16-18
20	136888		SUB= 918136888
21	73680500		SUB= 73690500
22	134753		STIFFENER BRKT
23	131267		DEFLECTOR BRKT
24	105304X		CAP-SLEEVE LT
25	123713X		SPRING TORSION
26	110452X		NUT PUSH M
27	130968		DEFLECTOR.SHIELD
28	19111016		WASHER
29	131491		HINGE ROD
30	138776		SUB= 157722
31	129963		WASHER
32	129861		SUB= 153535
33	137266		SUB= 139729
34	72110614		BOLT
35	133835		XMAS TREE FASTNER
36	131494		FLAT IDLER PULLEY
37	19131316		WASHER
40	73680600		SUB= 73690600
41	133551		PIVOT ROD
43	140083		ROD CLUTCH W/NIBS
44	140088		GUARD MAND LH BLK
45	4497H		RETAINER M
46	137729		SCREW.1/4-20X5/8
48	133944		HARD SMALL WASHER
49	133940		SUB= 151785
50	131340		SHOULDER BOLT
51	69180		LOCKNUT
52	139888		BOLT.SHLD.5/16-18
53	131845		BRAKE PAD ARM ASM
54	133943		HARDENED WASHER
55	140084		SUB= 151785
56	122052X		SPACER RETAINER
58	140086		SPRING TORSN BRAK
59	141043		GUARD IDLER TUV
67	106933X		KNOB T (1/2-HOLE)
68	144200		BELT.V.T-PATH
71	142427		ROD CLUTCH 38/42
72	131870		RETURN SPRING
73	127847		CLUTCH ARM SECOND

Ref #	Part Number	Qty	Description
74	121748X		WASHER
75	12000029		RING
76	128903		SHOULDER BOLT
77	127845		SPRING KEEPER
78	140334		SUB= 154810
79	127498		BUSHING
80	128759		SUB= 918128759
81	73350600		NUT
82	142028		TRUNION ADJ
83	120958X		WASHER
84	144394		SUB= 156084
85	72140618		BOLT RDHD 3/8-16
111	140353		SUB= 155197
112	132262		SUB= 155198
113	17490512		SCREW
114	73510500		NUT
115	72110504		SUB= 872110504
116	4898H		BOLT M
117	105455X		WHEEL.GAGE.BLK.PL
118	73930600		LOCKNUT
119	19121414		WASHER
120	19171512		WASHER
121	143723		BRACKET.EXTRD.GWL
	130794		MANDREL ASM
	145411		SUB= 164963

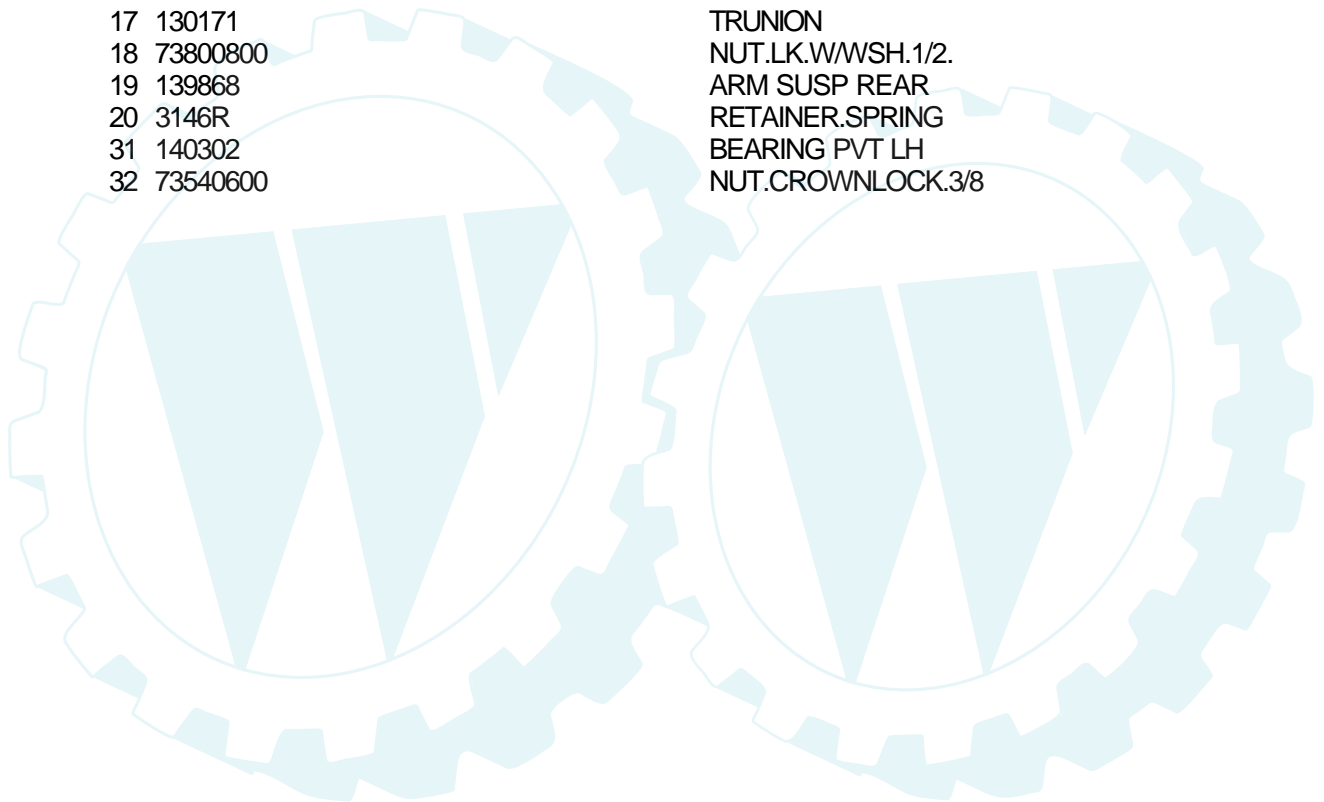


TRACTOR -- MODEL NUMBER AYP1143A69

MOWER LIFT

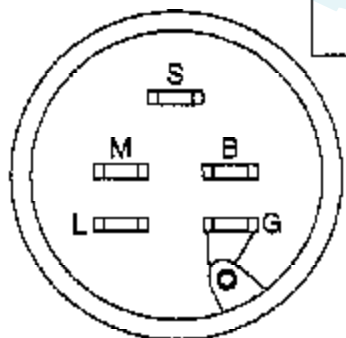
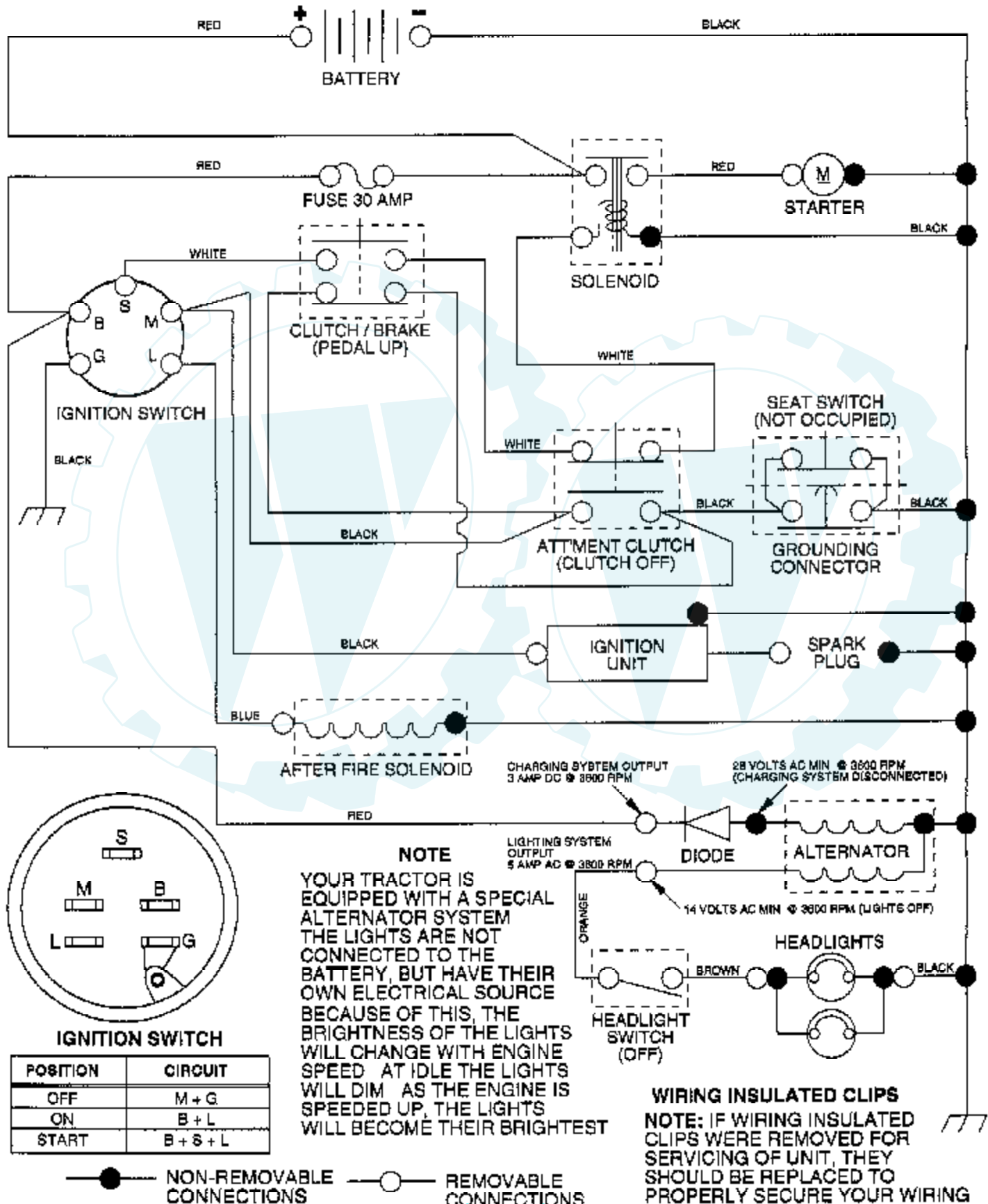


Ref #	Part Number	Qty	Description
1	136973		WIRE ASM
2	140278		HANDLE.LIFT.LH.
3	138284		PIN GROOVE
4	12000002		SUB= 2225J
5	19211621		WASHER
6	120183X		NYLON BEARING
7	109413X		GRIP
8	124526X		SUB= 125925X
10	122512X		SUB= 532122512
11	139865		SUB= 918139865
12	139866		SUB= 151140
13	4939M		SUB= 85902
15	127218		LINK.FRONT
16	73350800		NUT
17	130171		TRUNION
18	73800800		NUT.LK.W/WSH.1/2.
19	139868		ARM SUSP REAR
20	3146R		RETAINER.SPRING
31	140302		BEARING PVT LH
32	73540600		NUT.CROWNLOCK.3/8



TRACTOR - - MODEL NUMBER AYP1143A69

SCHEMATIC



IGNITION SWITCH

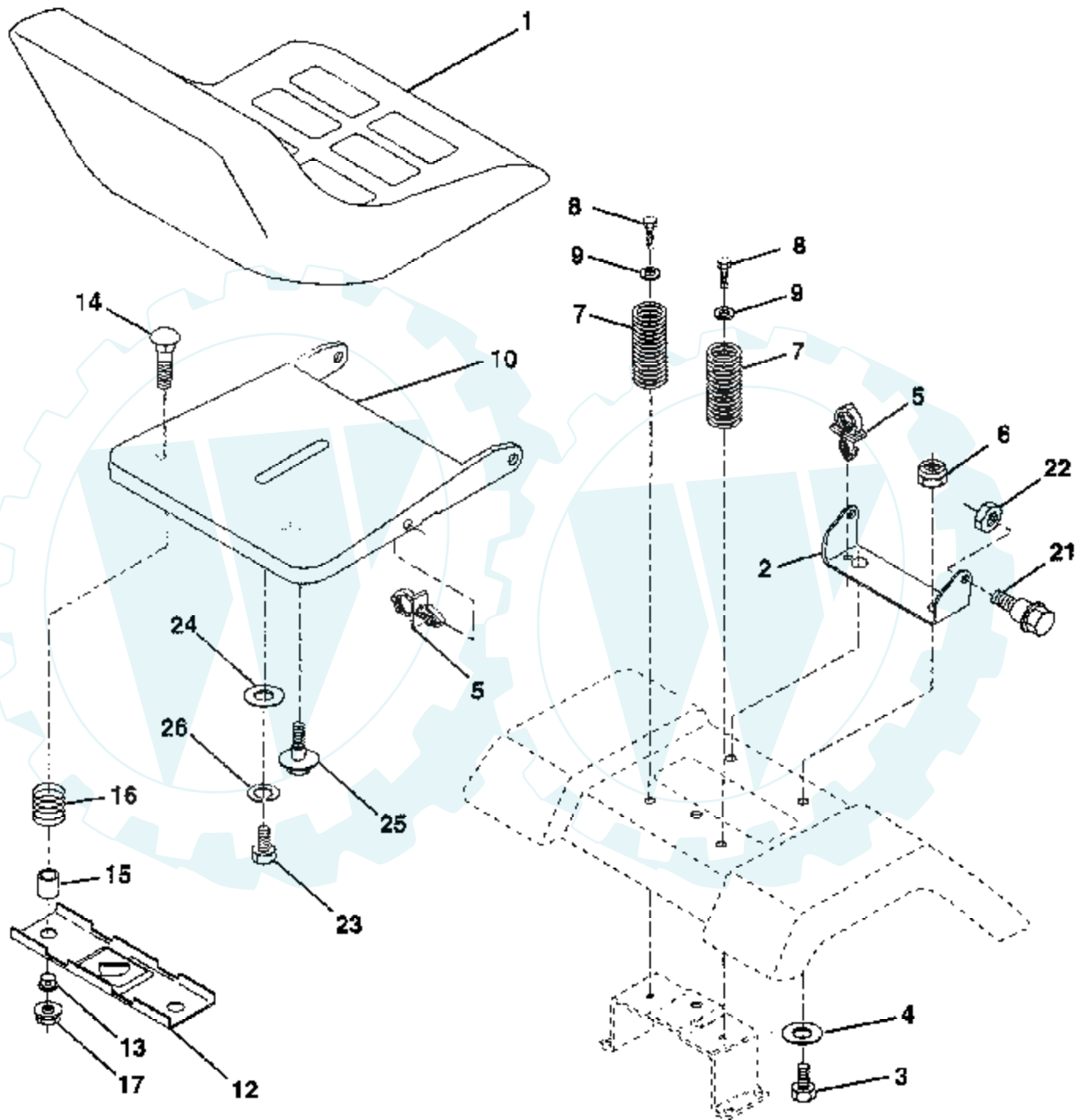
POSITION	CIRCUIT
OFF	M + G
ON	B + L
START	B + S + L

Ref #	Part Number	Qty	Description
1	146139		SUB= 123899X
2	74760412		BOLT LT
3	19091016		WASHER
4	10040400		LOCKWASHER
6	73220400		SUB= 50675
7	109238X		TUBE T
8	144940		SUB= 156417
9	109596X		HOSE CLAMP T
15	147688		FASTNER.SNAP-IN
19	10090400		SUB= 10040400
20	73350400		NUT
21	136850		"HARNES,LIGHT SOC"
22	4152J		HEADLAMP BULB
24	4799J		"CABLE T, BATTERY"
25	146147		CABLE.BTRY.6GA.RD
26	108824X		FUSE HYT
28	4207J		CABLE T
29	121305X		SWITCH SEAT
30	140301		SWITCH IGN 4POS
31	124211X		NUT IGNITION
32	141226		COVER KEY SWITCH
33	122147X		KEY
35	108236X		BRACKET LT
36	17021008		SCREW
38	140336		BRACKET SWITCH IN
39	109553X		SWITCH INTERLOCKT
40	151212		HARNES.IGNITION
41	71110408		BOLT HXHD FIN
42	131563		SUB= 154336
43	145673		SUB= 146154
44	73800400		NUT
48	140844		ADAPTER AMMETER
52	141940		PROTECTION LOOP
70	141164		HARNES ENGINE

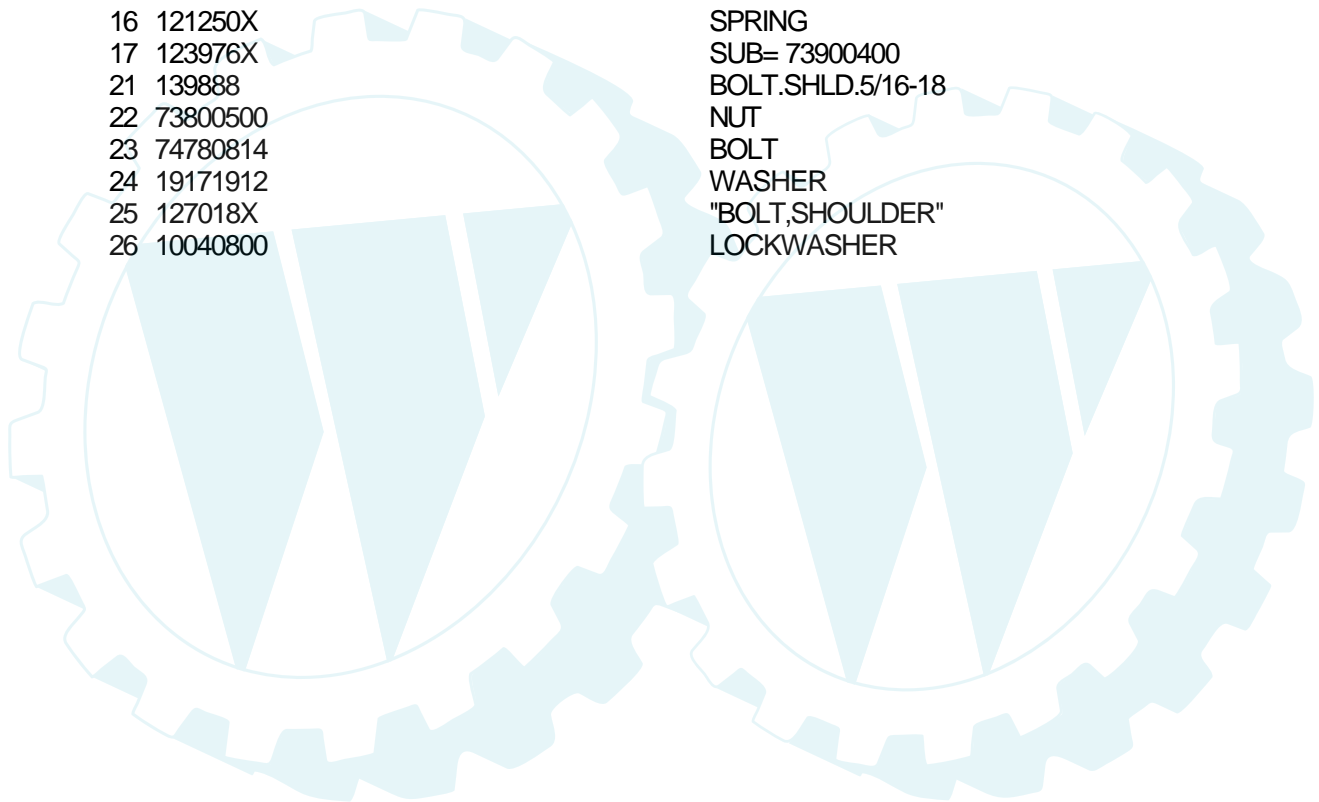
TRACTOR - - MODEL NUMBER AYP1143A69

SEAT ASSEMBLY

NOTE: All component dimensions given in U.S. inches
1 inch = 25.4 mm

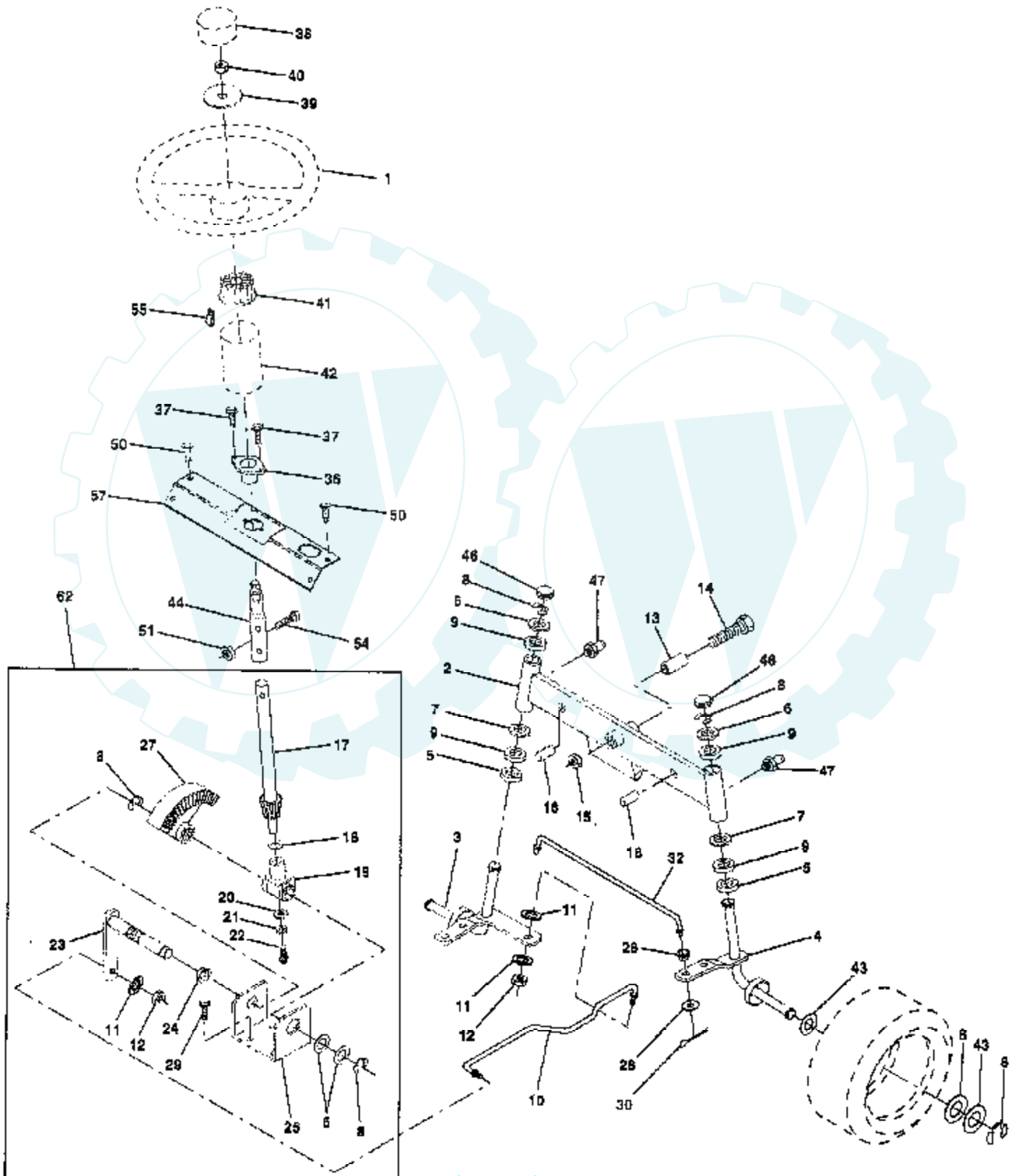


Ref #	Part Number	Qty	Description
1	127427		SUB= 140119
2	140551		BRACKET PVT SEAT
3	74760616		BOLT
4	19131610		WASHER PM
5	145006		CLIP.PUSH-IN.HING
6	73800600		NUT
7	124181X		SPRING COMPRESSIO
8	17490616		SCREW GTV
9	19131614		WASHER
10	140552		SUB= 155925
1	121246X		BRKT SWITCH
13	121248X		BUSHING
14	72050411		SUB= 872050411
16	134300		SPLIT SPACER
16	121250X		SPRING
17	123976X		SUB= 73900400
21	139888		BOLT.SHLD.5/16-18
22	73800500		NUT
23	74780814		BOLT
24	19171912		WASHER
25	127018X		"BOLT,SHOULDER"
26	10040800		LOCKWASHER



TRACTOR - - MODEL NUMBER AYP1143A69

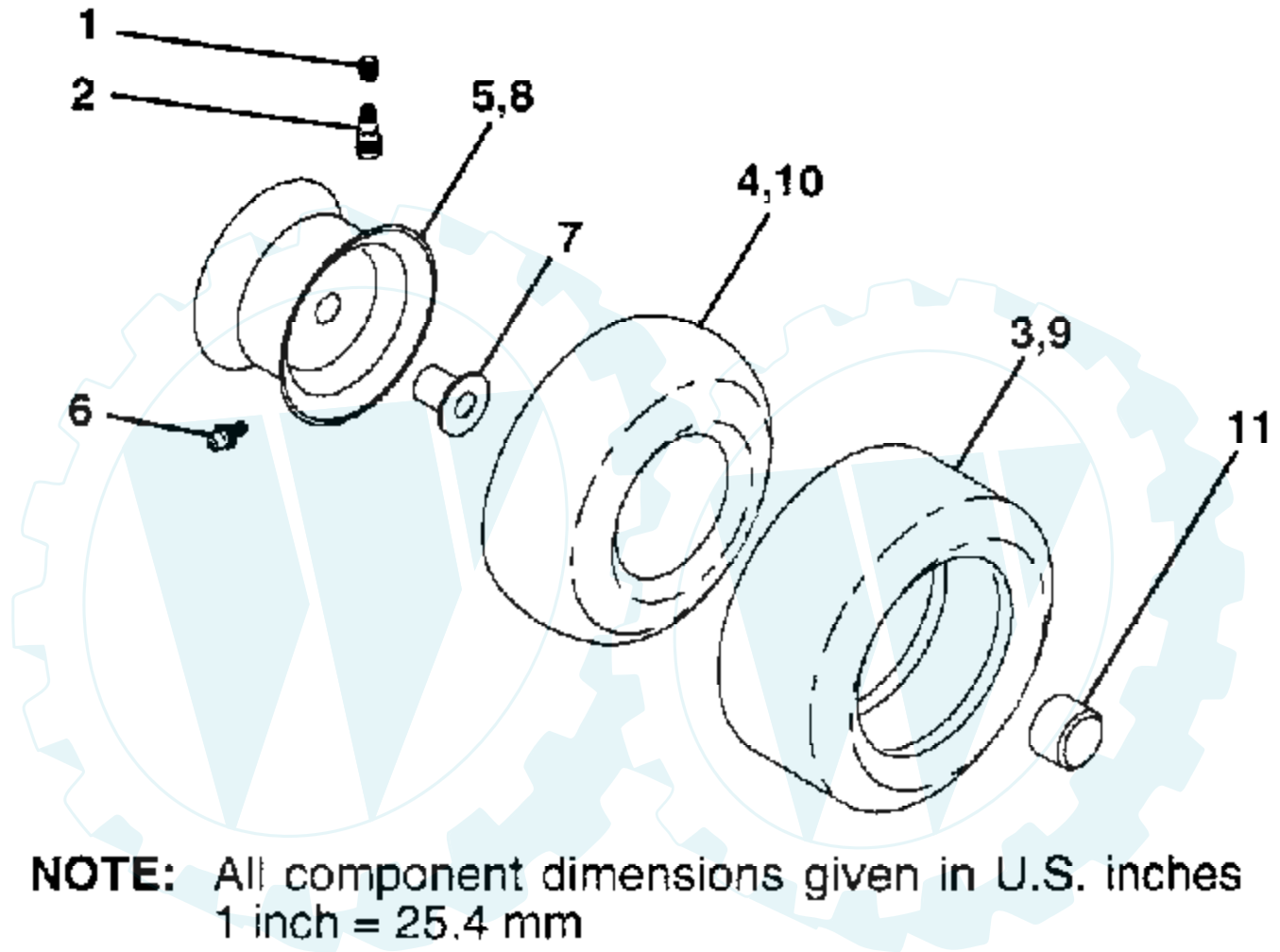
STEERING ASSEMBLY



Ref #	Part Number	Qty	Description
1	140044		WHEEL STR AYP BLK
2	142033		AXLE ASM FRONT
3	135227		SPINDLE LH
4	135228		SPINDLE RH
5	6266H		WASHER .T
6	121748X		WASHER
7	19272016		WASHER
8	12000029		RING
9	3366R		COL. SRTG. BEAR.
10	130468		SUB= 532130468
11	10040600		LOCKWASHER
12	73610600		SUB= 7810H
13	110438X		BEARING
14	74011056		BOLT HEX 5/8-11
15	73901000		"NUT-LOC,FLANGE LT"
16	132624		AXLE PIN
17	140176		SHAFT ASM STEERIN
18	57079		THRUST WASHER
19	124035X		SUPPORT.SHAFT
20	126684X		SUB= 532126684
21	10040400		LOCKWASHER
22	71100410		SCREW.SCKTHD.CAP
23	127501		SUB= 918127501
24	109816X		NYLINER T
25	124036X		"BRKT,STEERING"
26	126847X		BUSHING.DRAGLINK
27	136874		GEAR SECTOR
28	19131416		WASHER
29	17490612		SCREW
30	76020412		COTTER PIN
32	130465		TIE ROD
36	102803X		SUB= 918102803X
37	17431008		SUB= 98000165
38	140045		CAP STEER AYP
39	19133808		WASHER T
40	7810H		GRIPCO NUT
41	104820X		ADAPTER-WHEEL LT
42	140216		BOOT SHAFT STEER
43	121749X		WASHER
44	146690		SUB= 154306
46	121232X		CAP
47	6855M		ZERK M
50	17490412		SCREW HEX CRT
51	73800500		NUT
54	74780520		BOLT
55	140285		CLIP TINNERMAN
57	140172		SUPPORT SHAFT STR
62	149686		SUB= 918149686

TRACTOR - - MODEL NUMBER AYP1143A69

WHEELS AND TIRES



Ref #	Part Number	Qty	Description
1	59192		VALVE CAP
2	65139		VALVE STEM LT
9	106222X		SUB= 122073X
4	59904		TUBE.5.3/4.5/6
5	106732X427		"RIM ASM 6"" FRT"
6	278H		FITTING LT
7	9040H		"FLANGE, BEARING"
8	106108X427		"RIM AS 8"" REAR"
9	106268X		SUB= 122074X
10	7152J		TUBE.18X9.5-8
11	104757X		HUB CAP
	144334		SEALANT.TIRE 10 OZ. TUBE

