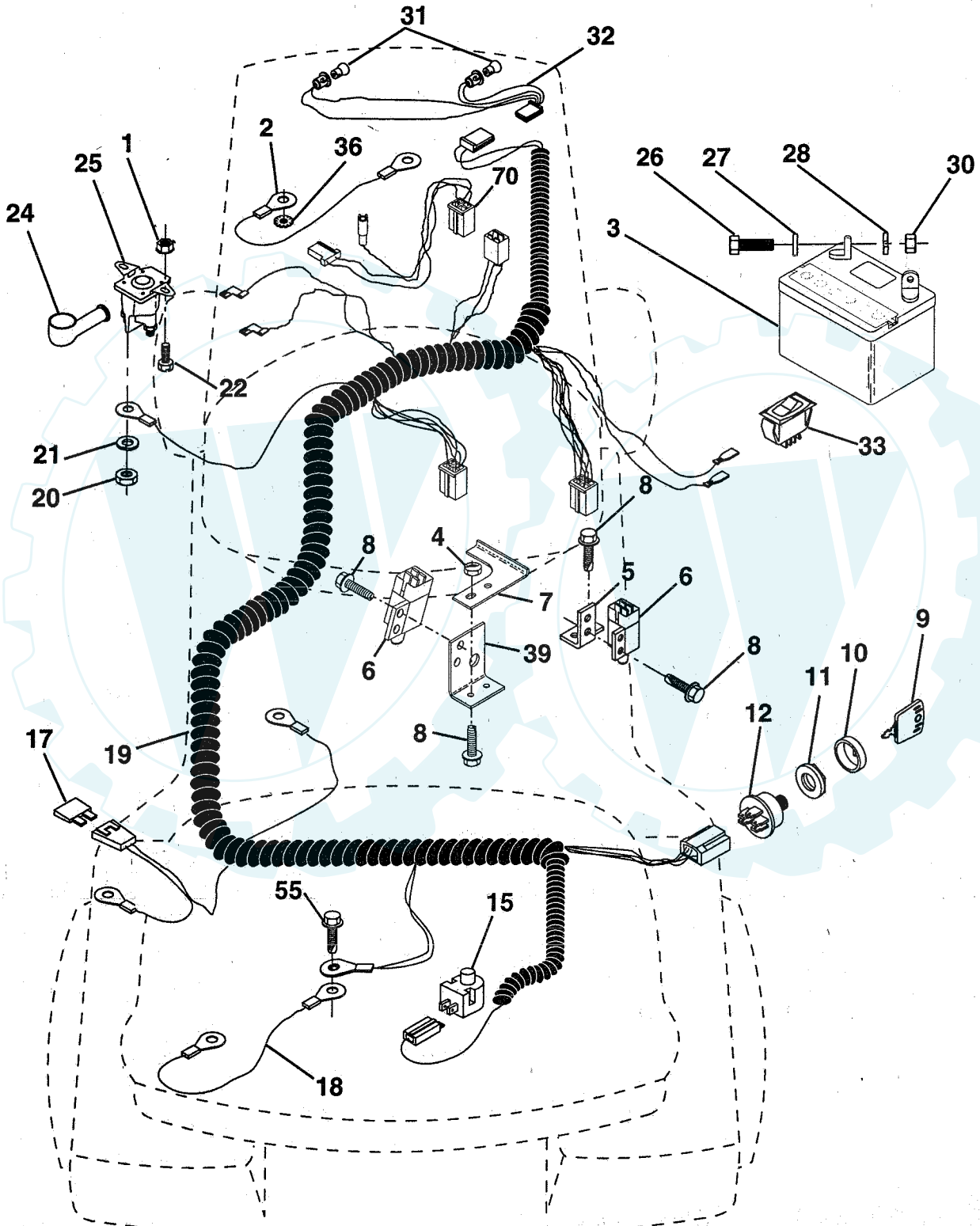


REPAIR PARTS

TRACTOR - - MODEL NUMBER AY1236C

ELECTRICAL



REPAIR PARTS

TRACTOR - - MODEL NUMBER AY1236C

ELECTRICAL

KEY NO.	PART NO.	DESCRIPTION
1	73640400	Nut, Hex, Keps 1/4-20
2	108423X	Assembly, Cable
3	144924	Battery
4	69180	Nut, lock #10-24 UNC
5	108236X	Bracket, Switch
6	109553X	Switch, Interlock, 4 Terminal
7	146374	Keeper, Actuator
8	17021008	Screw, Hex Head, Self-Tapping #10-24 x 1/2
9	140401	Key, Molded
10	141226	Cover, Ignition Key
11	140400	Nut, Ignition
12	144921	Switch, Ignition
15	121305X	Switch, Plunger
17	108824X	Fuse
18	128353	Assembly, Cable
19	146064	Harness, Ignition
20	73350400	Nut, Hex, Jam 1/4-20
21	10090400	Washer, Lock 1/4
22	71110408	Bolt, Hex, Fin. 1/4-20 UNC x 1/2 Grade 5
24	131563	Cover, Terminal
25	145673	Solenoid
26	74760412	Bolt, Hex Head 1/4-20 UNC x 3/4
27	19091016	Washer 9/32 x 5/8 x 16 Gauge
28	10040400	Washer, Lock 1/4
30	73220400	Nut, Hex, Fin. 1/4-20 UNC
31	4152J	Bulb, Light
32	136850	Harness Asm. Light
33	110712X	Switch, light, blk
36	11150400	Washer, Lock, Internal Tpoth 1/4
39	141735	Bracket Switch Clutch
55	17490508	Screw Thdrol 5/16 - 18 x 1/2
70	140413	Harness Engine

NOTE: All component dimensions given in U.S. inches
. 1 inch = 25.4 mm

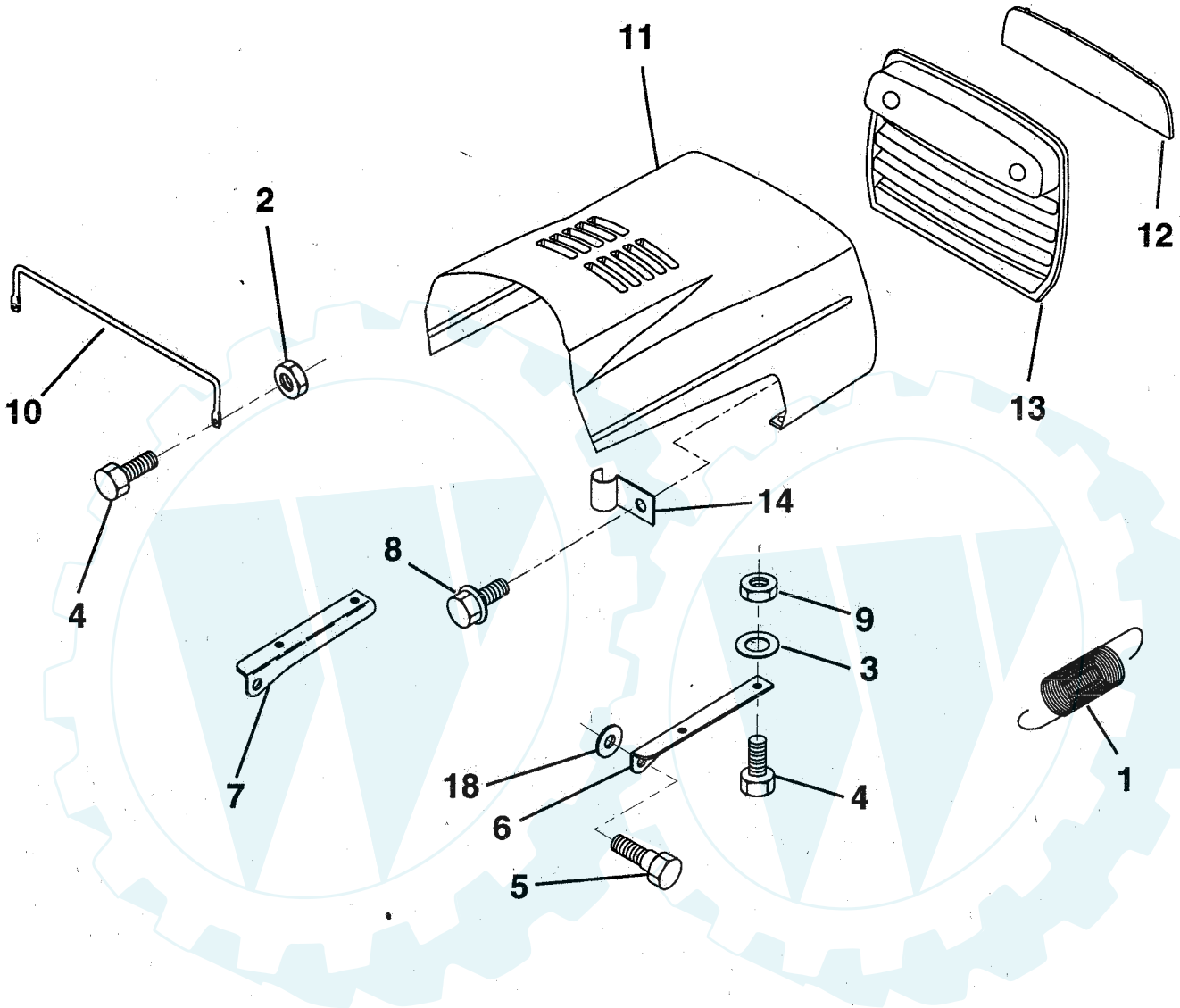
HARDWARE SHOWN LARGER FOR EASIER IDENTIFICATION

Der Ersatzteilspezialist im Internet.

REPAIR PARTS

TRACTOR - - MODEL NUMBER AY1236C

HOOD



KEY NO.	PART NO.	DESCRIPTION
1	124657X	Spring, Extension
2	73640400	Nut, Hex, Keps 1/4-20 UNC
3	19091416	Washer 9/32 x 7/8 x 16 Ga.
4	74780412	Bolt, Hex, Fin 1/4-20 x 3/4 Grade 5
5	139888	Bolt, Shoulder
6	122549X	Bracket, Hood, R.H.
7	122548X	Bracket, Hood, L.H.
8	17521312	Screw, Sltd. Hex Hd. W/Pl. Washer

KEY NO.	PART NO.	DESCRIPTION
9	73800400	Nut, Lock W/Insert 1/4-20
10	123693X	Brace, Hood
11	132918X550	Hood
12	122035X	Lens
13	127029X	Grill
14	4171R	Clip, line, fuel 11/32
18	19111116	Washer 11/32 x 11/16 x 16 Ga.

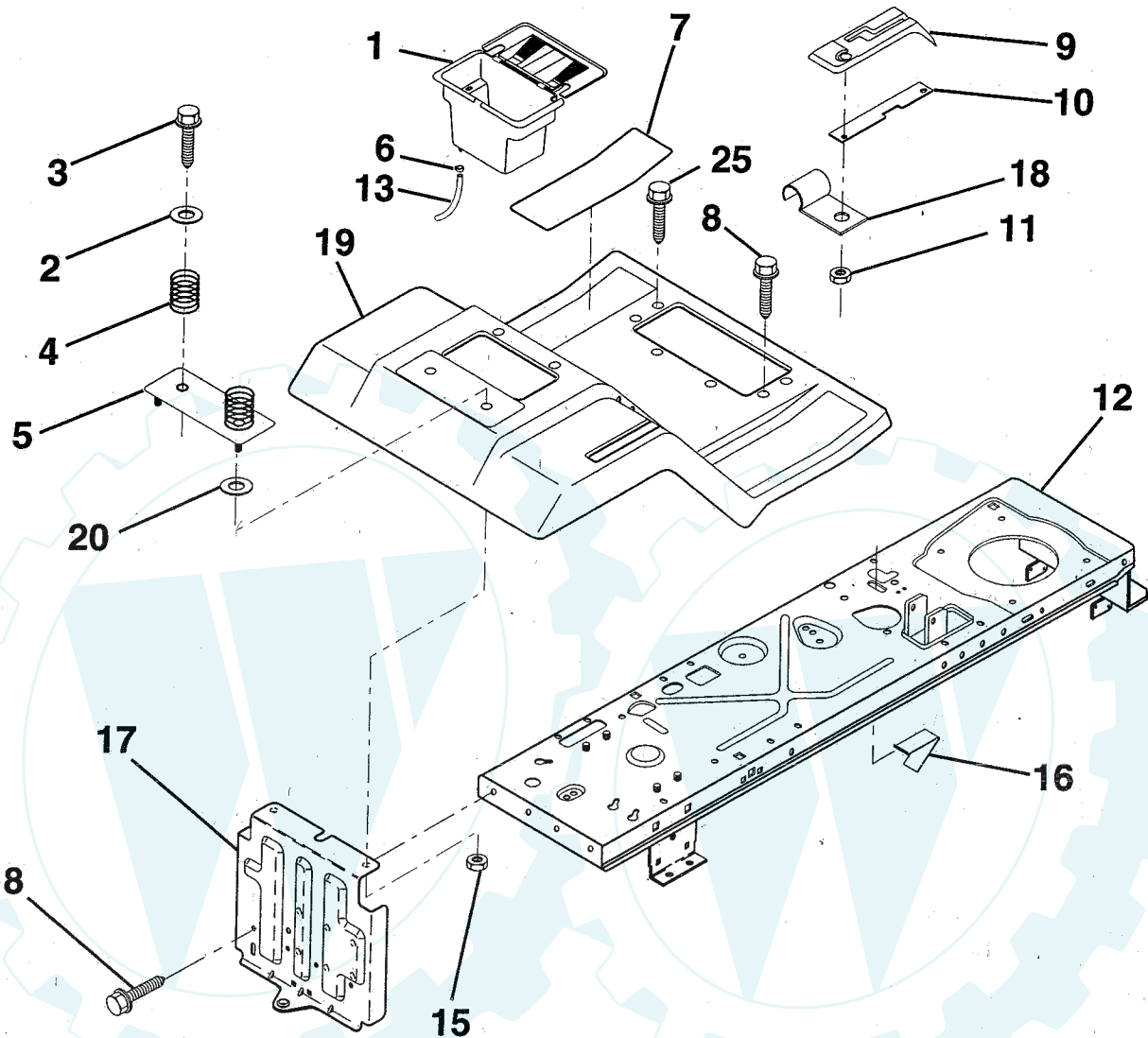
NOTE: All component dimensions given in U.S. inches
1 inch = 25.4 mm.

HARDWARE SHOWN LARGER FOR EASIER IDENTIFICATION

REPAIR PARTS

TRACTOR - - MODEL NUMBER AY1236C

FENDER / CHASSIS



KEY NO.	PART NO.	DESCRIPTION
1	156417	Case, Battery
2	19132012	Washer 13/32 x 1-1/4 x 12 Gauge
3	17490612	Screw, Hex Washer Head, Thd. Roll. 3/8-16 x 3/4
4	124181X	Spring, Compression, Seat
5	127115X550	Plate, Battery
6	109596X	Clamp, Hose
7	124144X	Pad, Footrest
8	17490512	Screw, Hex Washer Head, Thd. Roll. 5/16-18 x 3/4
9	126997X	Console, Shift Control
10	139783	Bar, Shift Lock

KEY NO.	PART NO.	DESCRIPTION
11	124346X	Nut, Self-Threading 3/16
12	145190	Chassis, Assembly, Weldment
13	109238X	Tube, Battery Drain
15	73640400	Nut, Hex, Keps 1/4-20
16	141736	Switch, Actuator
17	140782	Drawbar
18	126470X	Clip, Insulated
19	140955X550	Fender/Footrest
20	19091413	Washer 9/32 x 7/8 x 13 Gauge
25	17190516	Scr.-Hx Wsh Thd Rol 5/16 - 18 x 1T

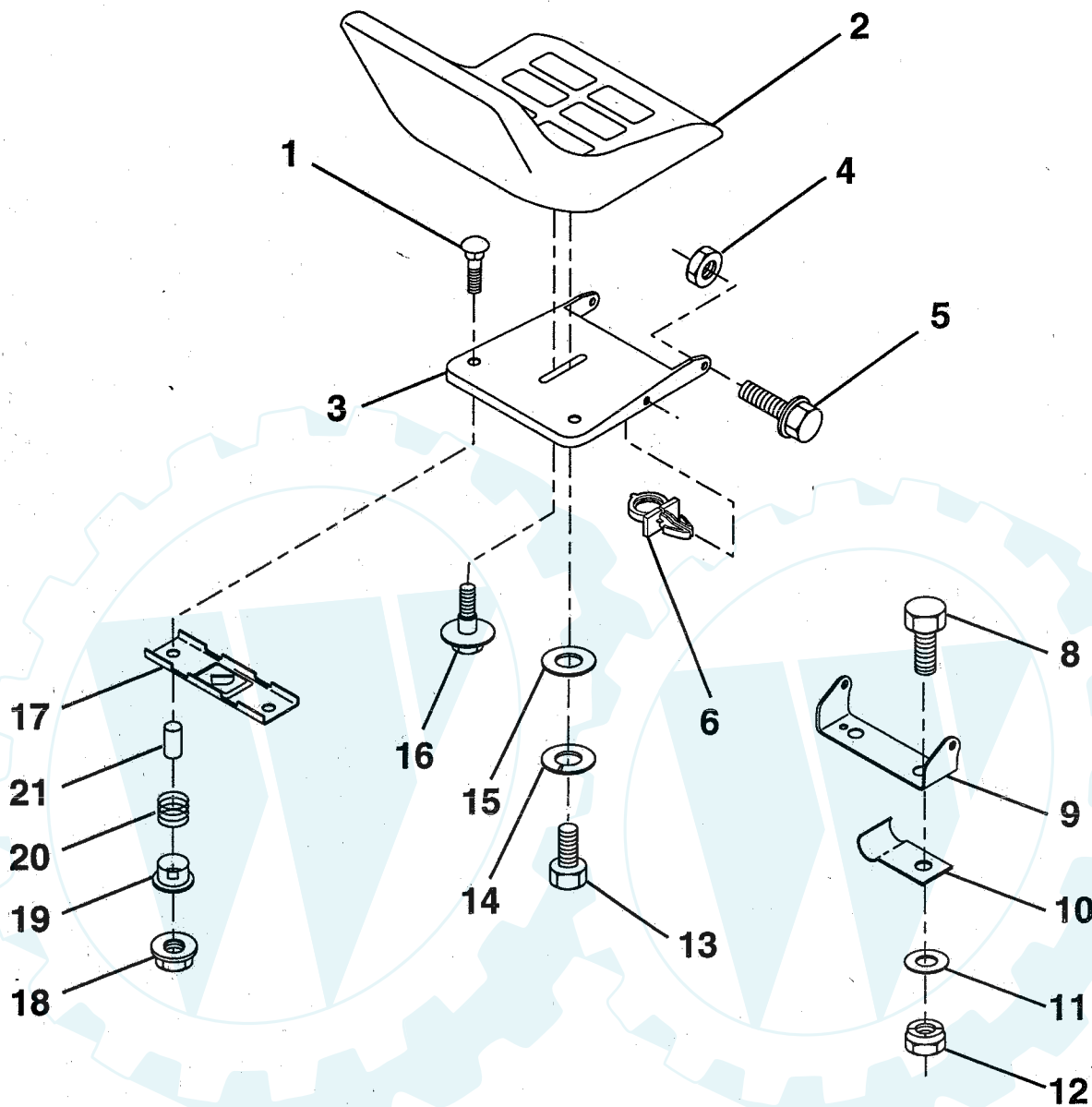
NOTE: All component dimensions given in U.S. inches
1 inch = 25.4 mm.

HARDWARE SHOWN LARGER FOR EASIER IDENTIFICATION

REPAIR PARTS

TRACTOR -- MODEL NUMBER AY1236C

SEAT



KEY NO.	PART NO.	DESCRIPTION
1	72050411	Bolt, Carriage 1/4-20 x 1-3/8
2	127426X	Seat
3	155925	Pan, Seat
4	73800500	Nut, Lock Hex W/Ins. 5/16-18
5	153236	Bolt, Shld. 5/16-18
6	145006	Clip, Push-In
8	74760616	Bolt, Hex, Fin 3/8-16 UNC x 3/4
9	140551	Bracket, Pivot, Seat
10	126471X	Clip, Insulated
11	19133210	Washer 13/32 x 2 x 10 Gauge

KEY NO.	PART NO.	DESCRIPTION
12	73800600	Nut, Lock Hex W/Wsh 3/8-16
13	74780814	Bolt, Fin Hex 1/2 - 13 x 7/8 Gr. 5
14	10040800	Washer Lock Hvy HLCL Spr. 1/2
15	19171912	Washer 17/32 x 13/16 x 12 Gauge
16	127018X	Bolt, Shoulder
17	121246X	Bracket, Switch, Mounting
18	123976X	Locknut, Hex, Large, Flange
19	121248X	Bushing, Snap
20	121250X	Spring, Compression
21	134300	Spacer, Split, Large .28 Id. x .96

NOTE: All component dimensions given in U.S. inches
1 inch = 25.4 mm.

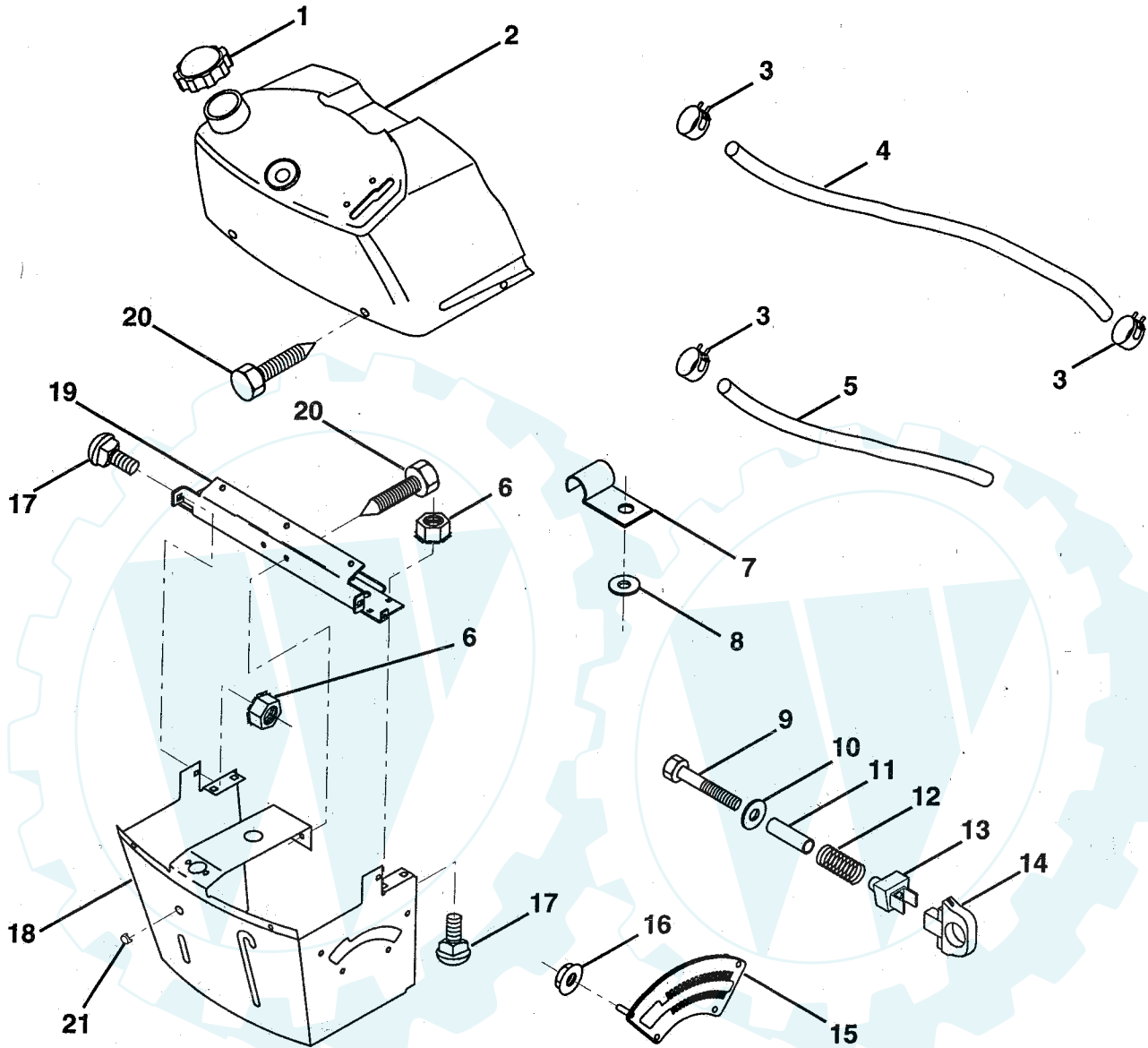
HARDWARE SHOWN LARGER FOR EASIER IDENTIFICATION

Der Ersatzteilspzialist im Internet.

REPAIR PARTS

TRACTOR - - MODEL NUMBER AY1236C

DASH



KEY NO.	PART NO.	DESCRIPTION
1	141523	Cap, Fuel
2	138392	Assembly, Dash & Fuel Tank
3	123487X	Clamp, Hose
4	8544R	Line, Fuel
5	8548R	Line, Fuel
6	73640400	Nut, Hex, Keps 1/4-20
7	2751R	Clip, Fuel Line
8	19091216	Washer 9/32 x 3/4 x 16 Gauge
9	74760428	Bolt, Hex, Fin. 1/4-20 x 1-3/4
10	19091413	Washer 11/32 x 11/16 x 16 Gauge
11	121249X	Spacer, Split

KEY NO.	PART NO.	DESCRIPTION
12	3720R	Spring
13	126450X	Clip, Height Adjustment
14	126115X	Knob, Height Stop
15	122023X	Adjustment, Quadrant Height
16	124346X	Nut, Self-Threading 3/16-18
17	72110404	Bolt, Carriage 1/4-20 x 1/2 Grade 5
18	130745	Support Assembly, Dash
19	134744	Brace, Cross
20	17060408	Screw, Tap 1/4-20 x 1/2
21	134014	Plug, Dome

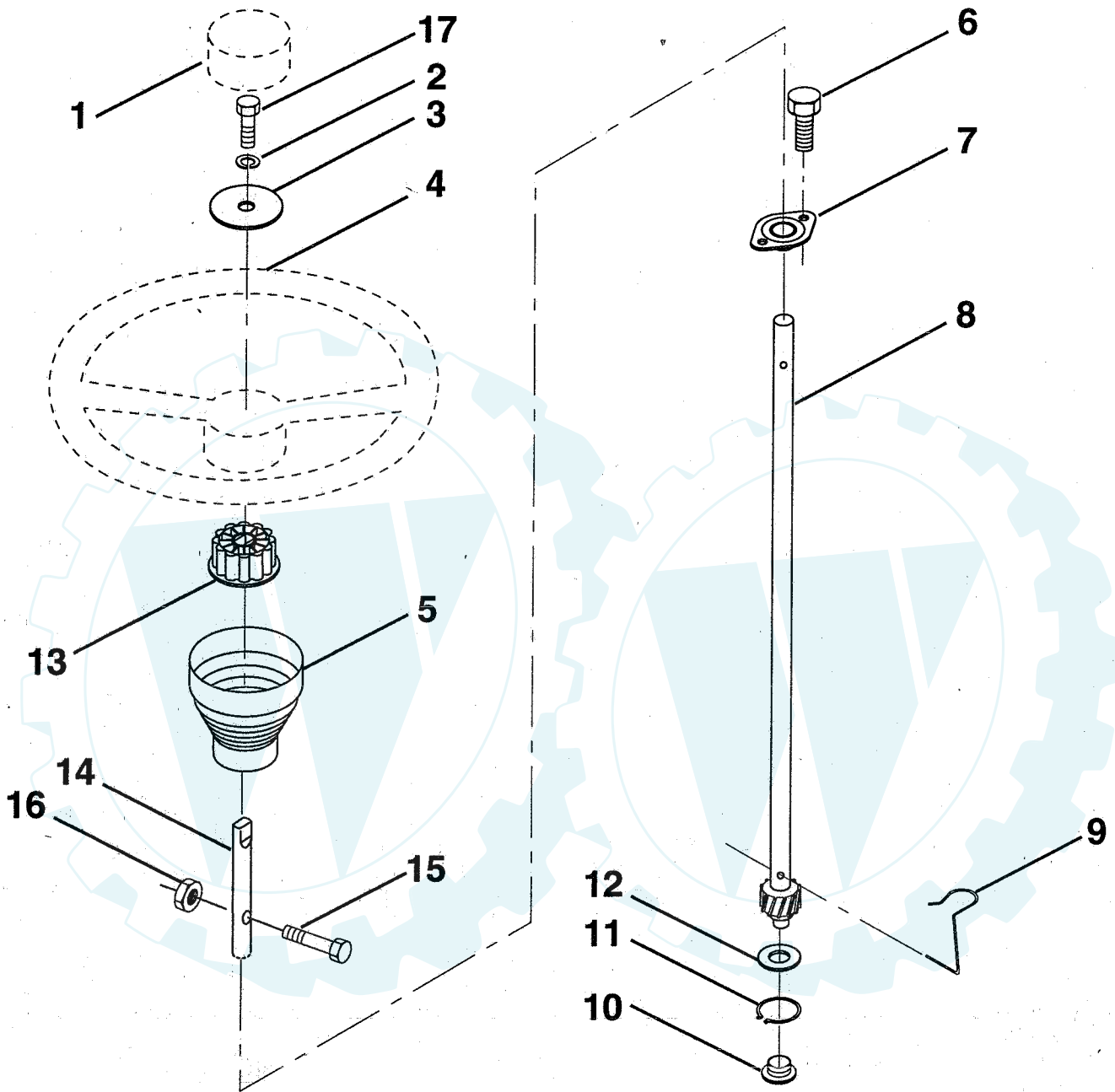
NOTE: All component dimensions given in U.S. inches
1 inch = 25.4 mm.

HARDWARE SHOWN LARGER FOR EASIER IDENTIFICATION

REPAIR PARTS

TRACTOR - - MODEL NUMBER AY1236C

STEERING WHEEL



KEY NO.	PART NO.	DESCRIPTION
1	133742	Insert, Steering Wheel
2	10040600	Washer Lock, Hvy Hlcl 3/8
3	19133808	Washer 13/32 x 2-3/8 x 8 Ga.
4	133741	Wheel, Steering
5	121897X	Sleeve, Steering
6	152927	Screw, TT #10-32 X 5 x 3/8 Flange
7	155104	Bushing, Steering
8	147391	Shaft, Steering
9	124210X	Clip, Steering
10	123438X	Bushing, Lower, Steering

KEY NO.	PART NO.	DESCRIPTION
11	12000045	Ring, Retaining
12	19211616	Washer 21/32 x 1 x 16 Ga.
13	100711L	Adaptor, Steering Wheel
14	153720	Extension Shaft Steering
15	74780520	Bolt Fin Hex 5/16-18 UNC x 1-1/4
16	73800500	Nut Lock Hx W/Insert 5/16-18 UNC
17	74780606	Bolt, Fin hex 3/8-16 UNC x 1

NOTE: All component dimensions given in U.S. inches.
1 inch = 25.4 mm.

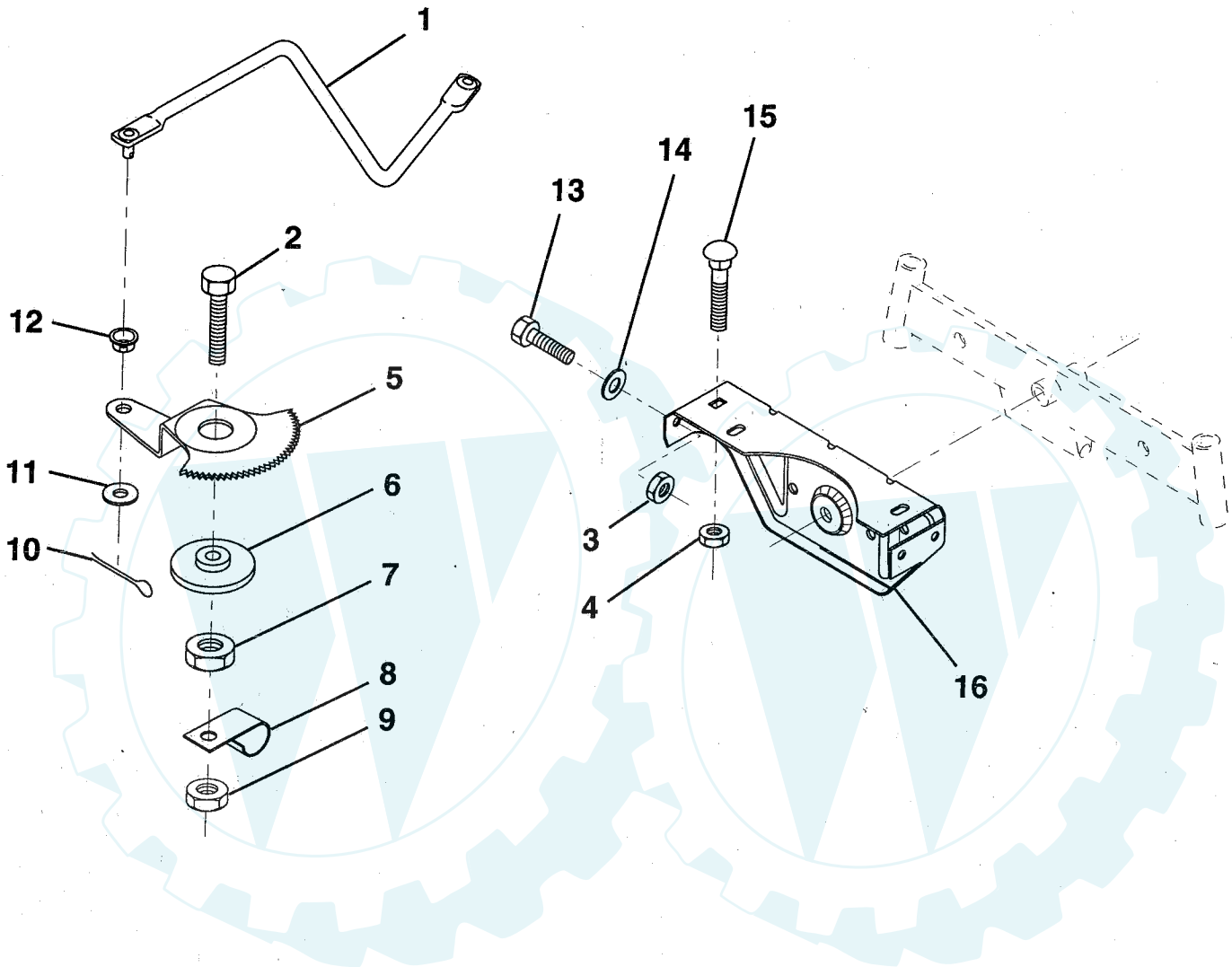
HARDWARE SHOWN LARGER FOR EASIER IDENTIFICATION

Der Ersatzteilspezialist im Internet.

REPAIR PARTS

TRACTOR - - MODEL NUMBER AY1236C

SECTOR GEAR / AXLE SUPPORT



KEY NO.	PART NO.	DESCRIPTION
1	132566	Link, Drag
2	74780828	Bolt, Hex, Fin 1/2-13 x 1-3/4
3	73680500	Nut, Crownlock 5/16-18
4	73680600	Nut, Crownlock 3/8-16 UNC
5	121926X	Gear, Sector
6	121927X	Bushing
7	73030800	Nut, Heavy, Hex, Top Lock 1/2-13 UNC
8	126472X	Clip, Wire
9	73680800	Nut, Crownlock 1/2-13

KEY NO.	PART NO.	DESCRIPTION
10	76020412	Pin, Cotter 1/8 x 3/4
11	19131316	Washer 13/32 x 13/16 x 16 Ga.
12	126847X	Bushing
13	74760512	Bolt, Hex 5/16-18 x 3/4
14	19111416	Washer 11/32 x 7/8 x 16 Ga.
15	72110606	Bolt, Carriage 3/8-16 UNC x 3/4
16	137096	Support, Front Axle

NOTE: All component dimensions given in U.S. inches
1 inch = 25.4 mm.

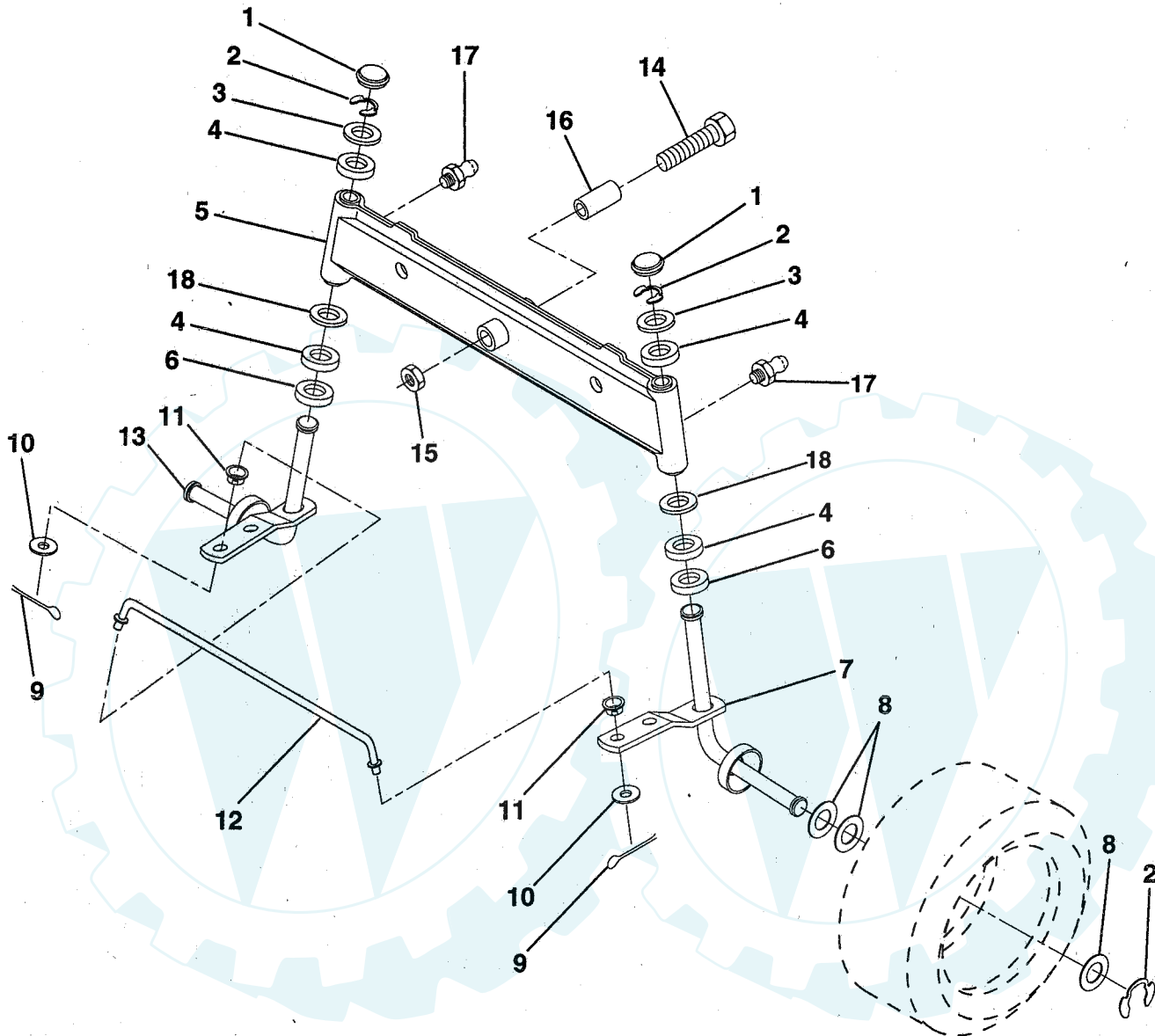
HARDWARE SHOWN LARGER FOR EASIER IDENTIFICATION

Der Ersatzteilspezialist im Internet.

REPAIR PARTS

TRACTOR - - MODEL NUMBER AY1236C

FRONT AXLE



KEY NO.	PART NO.	DESCRIPTION
1	121232X	Cap, Spindle
2	1200029	Ring, Klip
3	121748X	Washer 25/32 x 1-5/8 x 16 Gauge
4	3366R	Bearing
5	142033	Axle, Front
6	6266H	Bearing, Thrust
7	137062	Spindle Assembly, R.H.
8	121749X	Washer 25/32 x 1-1/4 x 16 Gauge
9	76020412	Pin, Cotter 1/8 x 3/4
10	19131316	Washer 13/32 x 13/16 x 16 Gauge

KEY NO.	PART NO.	DESCRIPTION
11	126847X	Bushing
12	130465	Rod, Tie
13	137061	Spindle Assembly, L.H.
14	74011056	Bolt, Hex 5/8-11 x 3-1/2
15	73901000	Nut, Lock Flange 5/8-11
16	110438X	Spacer
17	6855M	Fitting, Grease
18	19272016	Washer 27/32 x 1-1/4 x 16 Ga.

NOTE: All component dimensions given in U.S. inches
1 inch = 25.4 mm.

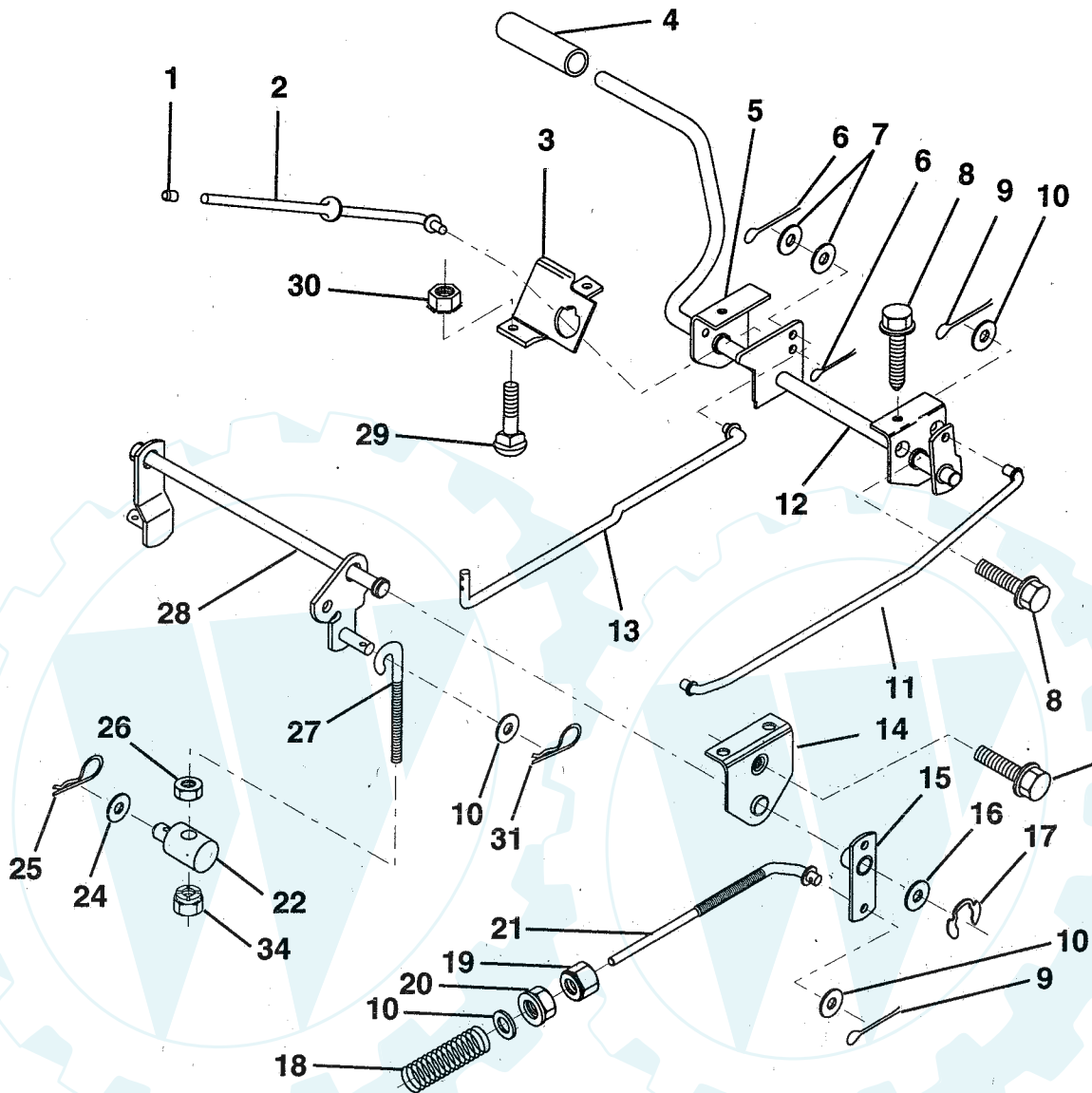
HARDWARE SHOWN LARGER FOR EASIER IDENTIFICATION

Der Ersatzteilspezialist im Internet.

REPAIR PARTS

TRACTOR - - MODEL NUMBER AY1236C

BRAKE / REAR MOWER LIFT ASSEMBLY



KEY NO.	PART NO.	DESCRIPTION
1	71673	Cap, Parking Brake
2	123436X	Rod, Parking Brake
3	123437X	Bracket, Parking Brake
4	8156H	Cover, Pedal
5	122504X	Bracket, Pedal, Clutch LH
6	76020312	Pin, Cotter 3/32 x 3/4
7	19131016	Washer 13/32 x 5/8 x 16 Gauge
8	17490508	Screw, Hex, Thd. Roll. 5/16-18 x 1/2
9	76020412	Pin, Cotter 1/8 x 3/4
10	19131316	Washer 13/32 x 13/16 x 16 Gauge
11	123543X	Rod, Front Brake
12	139933	Assembly, Clutch/Brake Pedal
13	123394X	Rod, Clutch
14	121978X	Bracket, Lift, Shaft
15	133332	Assembly, Brake, Pivot, Arm
16	19251816	Washer 25/32 x 1-1/8 x 16 Gauge

KEY NO.	PART NO.	DESCRIPTION
17	12000034	Ring, Klip
18	151332	Spring, Brake Rod
19	73350600	Nut, Hex Jam 3/8-16 UNC
20	73800600	Nut Lock Hex W/Insert 3/8-16 UNC
21	131460	Rod, Rear Brake
22	144585	Trunnion, Lift
24	19132012	Washer 13/32 x 1-1/4 x 12 Gauge
25	4921H	Spring, Retainer
26	73930600	Nut, Centerlock 3/8-16 UNC
27	127369	Link, Threaded
28	140776	Assembly, Rear Mower Lift
29	72110506	Bolt, Carriage 5/16-18 UNC x 3/4
30	73510500	Nut, Keps 5/16-18 UNC
31	3146R	Retainer, Spring
34	73680600	Nut, Crownlock 3/8-16

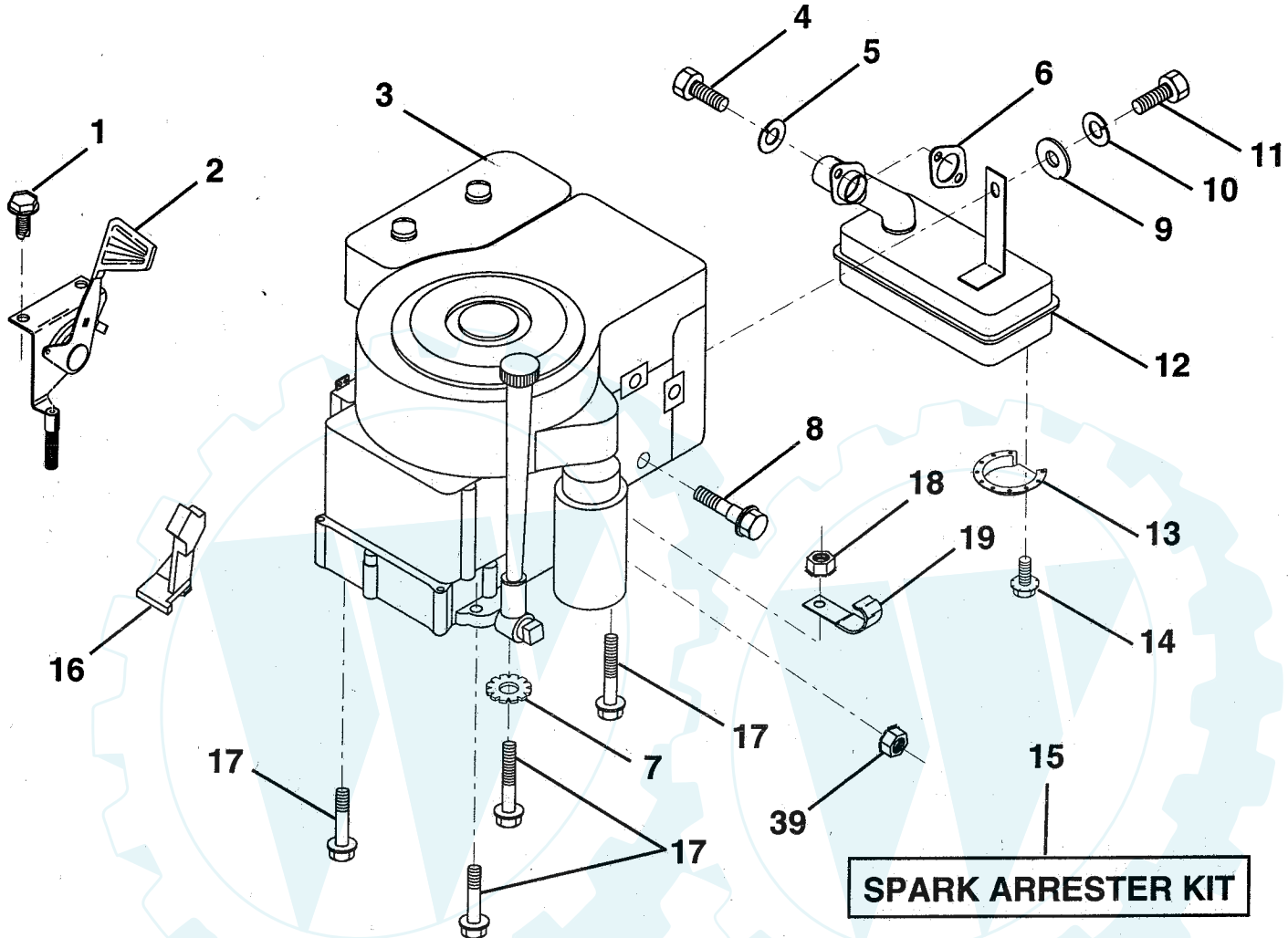
NOTE: All component dimensions given in U.S. inches
1 inch = 25.4 mm.

HARDWARE SHOWN LARGER FOR EASIER IDENTIFICATION

REPAIR PARTS

TRACTOR - - MODEL NUMBER AY1236C

ENGINE / THROTTLE



KEY NO.	PART NO.	DESCRIPTION
1	17060408	Screw, Hex, Thread Cutting 1/4-20 x 1/2
2	133025	Control, Throttle
3	-----	Engine, B&S, Model #289707
4	71070512	Screw, Hex Hd
5	10040500	Washer, Lock, Heavy Helical Spring 5/16
6	272293	Gasket, Exhaust
7	11050600	Washer Lock Ext Tooth 3/8
8	121094X	Bolt, Shoulder 5/16 UNC
9	19101216	Washer 5/16 x 3/4 x 16 Gauge
10	10040400	Washer, Lock, Hvy Hlcl Spring 1/4

KEY NO.	PART NO.	DESCRIPTION
11	-----	Bolt, Order from Engine Mfg.
12	137437	Muffler
13	101326L	Deflector, Muffler
14	17030808	Screw, Spiderlock
15	137180	Kit, Spark Arrester (Optional)
16	127951	Stop, Choke
17	17490624	Screw, Hex Washer Head, Thd. Roll. 3/8-16 x 1-1/2
18	73510600	Nut Keps Hex 3/8-16
19	2751R	Clip line fuel 13/32
39	128861	Nut Flange 1/4-20

NOTE: All component dimensions given in U.S. inches
1 inch = 25.4 mm

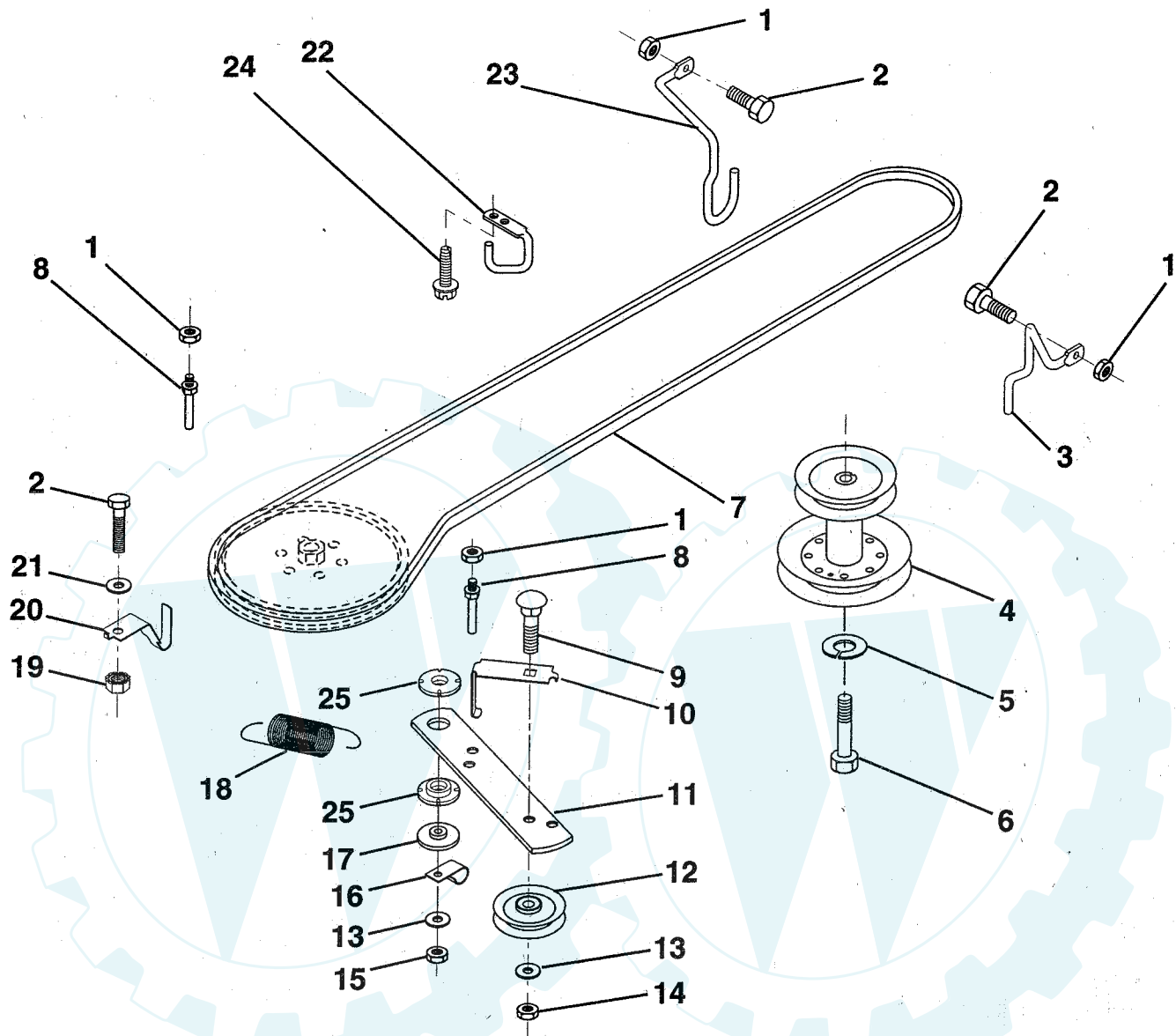
HARDWARE SHOWN LARGER FOR EASIER IDENTIFICATION

REPAIR PARTS

www.ersatzteil-service.de

TRACTOR - - MODEL NUMBER AY1236C

GROUND DRIVE



KEY NO.	PART NO.	DESCRIPTION
1	73680500	Nut, Lock Hex W/Ins 5/16-18
2	74760512	Bolt, Hex 5/16-18 UNC x 3/4
3	141342	Keeper, Mower Drive Belt, Engine, R.H.
4	138029	Pulley, Engine
5	10040700	Washer, Lock, Heavy Helical Spring 7/16
6	71170744	Bolt, Hex, 7/16-20 x 2-3/4 Grade 5
7	126520X	Traction, V-Belt Drive
8	123405X	Keeper, T/A Ground Drive Belt
9	72140612	Bolt, Carriage 3/8-16 UNC x 1-1/2
10	123396X	Keeper, Ground Drive Belt, Idler
11	150926	Arm, Ground Drive Clutch
12	123674X	Idler, Flat
13	19131316	Washer 13/32 x 13/16 x 16 Gauge

KEY NO.	PART NO.	DESCRIPTION
14	73930600	Nut, Centerlock 3/8-16 UNC
15	73680600	Nut, Crownlock 3/8-16
16	126471X	Clip, Insulated
17	150932	Spacer, Retainer
18	131459	Spring, Extension
19	73510500	Nut, Keps 5/16-18 UNC
20	139919	Keeper, T/A Ground Drive Belt
21	19111016	Washer 11/32 x 5/8 x 16 Gauge
22	123404X	Keeper, Ground Drive Belt, Frame
23	140916	Keeper, Mower Drive Belt, L.H.
24	17720408	Screw, Thdcut 1/4-20 x 1/2
25	150935	Bushing

NOTE: All component dimensions given in U.S. inches
1 inch = 25.4 mm

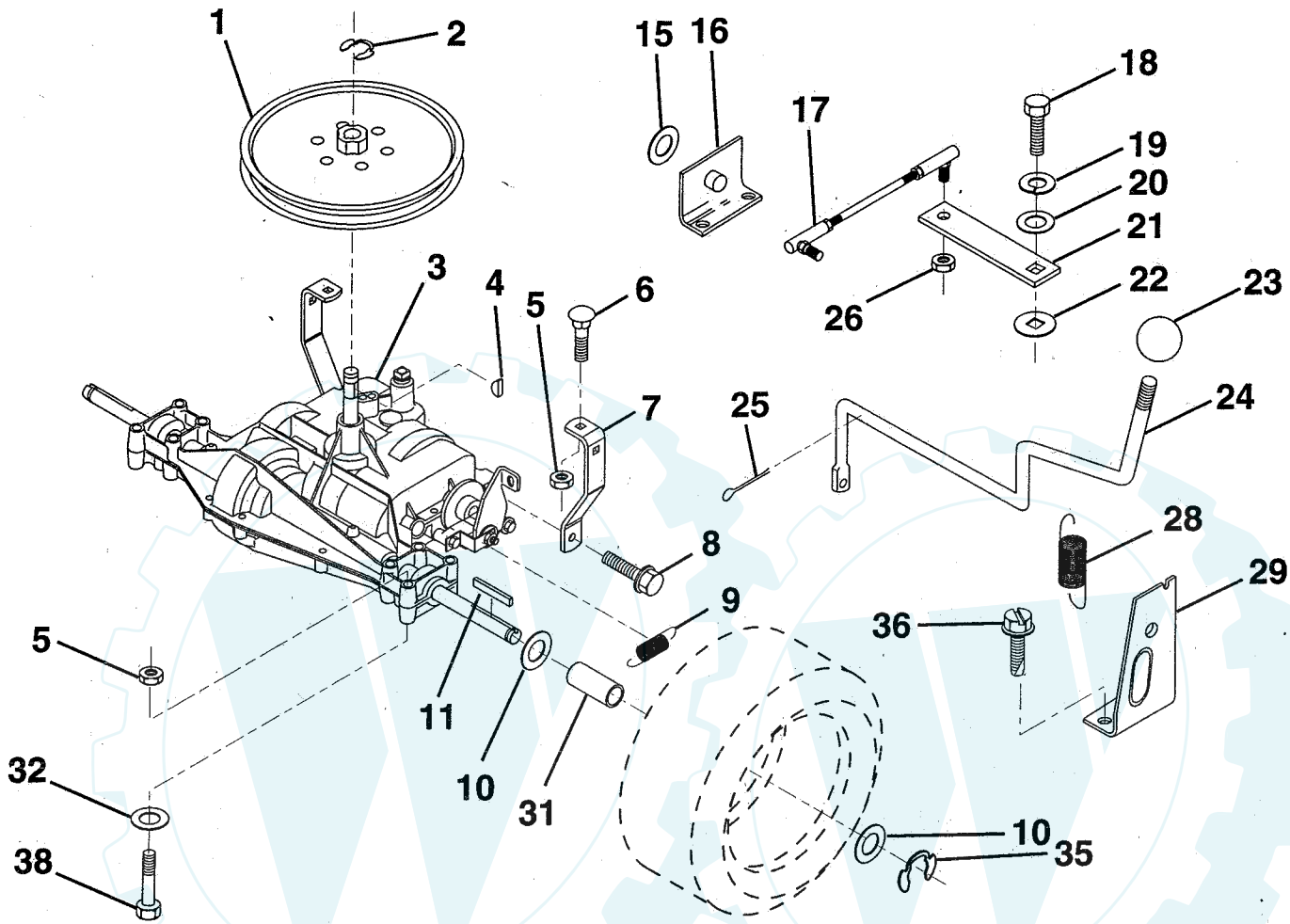
HARDWARE SHOWN LARGER FOR EASIER IDENTIFICATION

Der Ersatzteilspesialist im Internet.

REPAIR PARTS

TRACTOR -- MODEL NUMBER AY1236C

TRANSAXLE



KEY NO.	PART NO.	DESCRIPTION
1	123385X	Pulley
2	12000028	Ring, Retainer
3	-----	Transaxle (See Breakdown) Peerless 930-009A
4	2228M	Key, Woodruff #9
5	73680500	Nut, Lock Hex 5/16-18
6	72140506	Bolt, Carriage 5/16-18 UNC x 3/4
7	123378X	Strap, Torque
8	17490512	Screw 5/16-18 x 3/4
9	146682	Spring, Brake
10	121749X	Washer 25/32 x 1-1/4 x 16 Gauge
11	123583X	Key, Square
15	19171616	Washer 17/32 x 16 Ga.
16	124600X	Support, Handle Shift
17	126293X	Link, Shift
18	74550412	Bolt, Hex, Fin 1/4-28 UNF x 3/4 Gr. 8
19	10040400	Washer, Lock 1/4

KEY NO.	PART NO.	DESCRIPTION
20	19091210	Washer 9/32 x 3/4 x 10 Gauge
21	126292X	Arm, Shift
22	105701X	Washer, Shift Plate
23	106933X	Knob, Deluxe
24	128215	Rod, Shift
25	76020416	Pin, Cotter 1/8 x 1
26	73810500	Nut, Hex, Nylon 5/16-24 UNF
28	128085	Spring, Extension
29	128084	Support, Handle, Shift, R.H.
31	137057	Spacer, Split
32	19111116	Washer 11/13/ x 11/16 x 16 Ga.
35	12000001	E-Ring
36	17720408	Screw, Thdcut. 1/4-20 x 1/2
38	74490544	Bolt, Hex, Flgnd 5/16-18

NOTE: All component dimensions given in U.S. inches
1 inch = 25.4 mm.

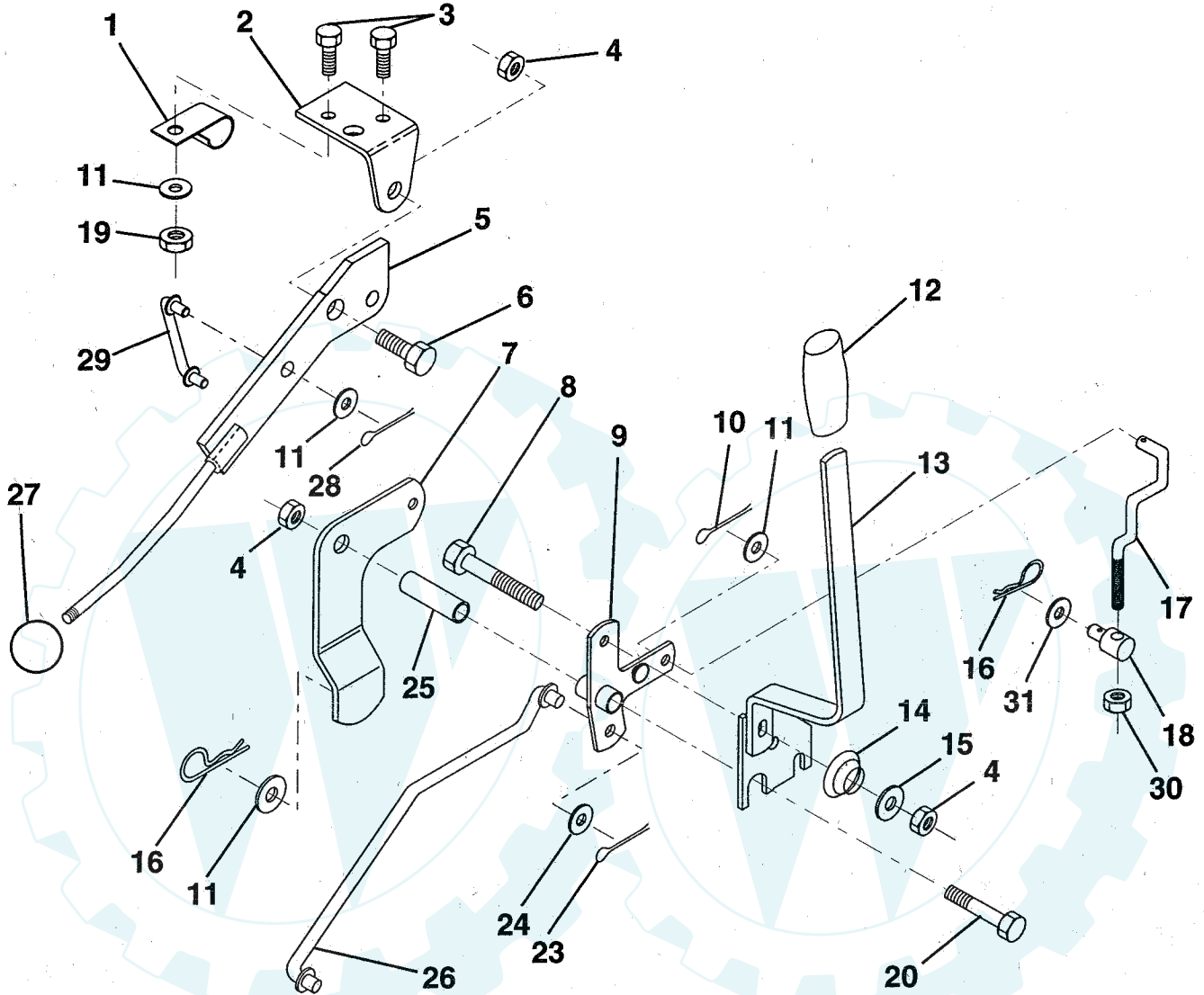
HARDWARE SHOWN LARGER FOR EASIER IDENTIFICATION

Der Ersatzteil-Spezialist im Internet.

REPAIR PARTS

TRACTOR - - MODEL NUMBER AY1236C

MOWER LIFT LEVER



KEY NO.	PART NO.	DESCRIPTION
1	126470X	Clip, Insulated
2	122018X	Bracket, Mower Clutch
3	71110408	Bolt, Hex, Fin 1/4-20 UNC x 1/2 Grade 5
4	73680600	Nut, Crownlock 3/8-16
5	145187	Assembly, Clutch Lever
6	106451X	Bolt, Shoulder
7	135371	Assembly, Mower Clutch Arm
8	74760636	Bolt, Hex 3/8-16 UNC x 2-1/4
9	121930X	Assembly, Bellcrank, Lift
10	76020412	Pin, Cotter 1/8 x 3/4
11	19131316	Washer 13/32 x 13/16 x 16 Gauge
12	131861	Sleeve, Handle
13	139352	Assembly, Lift Handle
14	123496X	Spring, Compression
15	19131212	Washer 13/32 x 3/4 x 12 Gauge

KEY NO.	PART NO.	DESCRIPTION
16	4921H	Retainer, Spring
17	127359	Link, Front Lift
18	142028	Trunnion, Threaded 3/8-16
19	73680400	Nut, Crownlock 1/4-20
20	74760644	Bolt, Hex, Fin. 3/8-16 UNC x 2-3/4
23	76020416	Pin, Cotter 1/8 x 1
24	19171612	Washer 17/32 x 1 x 16 Gauge
25	121933X	Tube, Spacer
26	141470	Rod, Mower Lift
27	106932X	Knob, Rd
28	76020312	Pin, Cotter 3/32 x 3/4
29	131655	Link, Mower Clutch
30	73350600	Nut, Hex Jam 3/8-16
31	19132012	Washer 13/32 x 1-1/4 x 12 Ga.

NOTE: All component dimensions given in U.S. inches
1 inch = 25.4 mm.

HARDWARE SHOWN LARGER FOR EASIER IDENTIFICATION

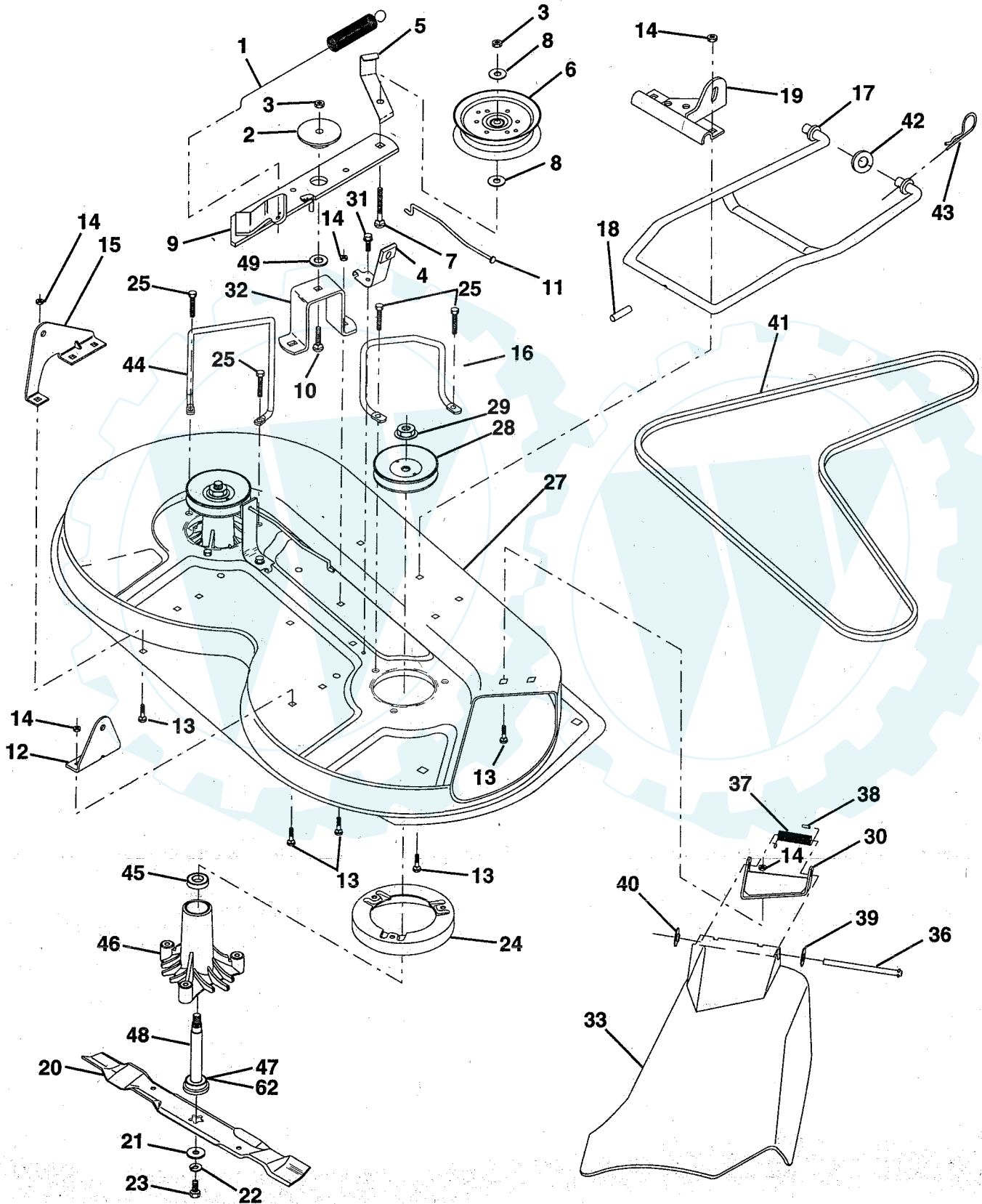
Der Ersatzteilspesialist im Internet.

REPAIR PARTS

www.ersatzteil-service.de

TRACTOR -- MODEL NUMBER AY1236C

MOWER DECK



REPAIR PARTS

www.ersatzteil-service.de

TRACTOR - - MODEL NUMBER AY1236C

MOWER DECK

KEY NO.	PART NO.	DESCRIPTION	KEY NO.	PART NO.	DESCRIPTION
1	140064	Spring, Mower Clutch	30	136631	Bracket, Deflector
2	122052X	Spacer, Retainer	31	17490508	Screw, Hex Washer Head, Thd. Roll. 5/16-18 x 1/2
3	73680600	Nut, Crownlock 3/8-16	32	122051X	Arm, Support Idler, Mower
4	130840	Assembly, Brake	33	131560	Shield, Deflector
5	131251	Guide, Belt Idler	36	121980X	Rod, Hinge
6	121316X	Idler, Flat	37	123713X	Spring, Torsion Deflector
7	72110616	Bolt, Carriage 3/8-16 x 2 Grade 5	38	105304X	Cap, Sleeve
8	19131410	Washer 13/32 x 7/8 x 10 Gauge	39	19111016	Washer 11/32 x 5/8 x 16 Gauge
9	127744	Assembly, Mower Idler Arm	40	110452X	Nut, Push
10	72140610	Bolt, Carriage 3/8-16 x 1-1/4	41	131264	V-Belt
11	130841	Rod, Brake	42	19171616	Washer 11/32 x 5/8 x 16 Gauge
12	127356	Bracket, Rear Lift, R.H.	43	3146R	Clip, Hairpin
13	72140506	Bolt, Carriage 5/16-18 UNC x 5/8	44	140608	Keeper, L.H.
14	73680500	Nut, Crownlock 5/16-18	45	110485X	Bearing
15	127357	Bracket, Rear Lift, L.H.	46	128774	Housing, Mandrel, Vented
16	153298	Keeper, R.H.	47	129895	Bearing
17	128508	Stabilizer, Mower Link	48	137645	Shaft, Mandrel (Includes Key Number 47)
18	128511	Pin, Drive	49	133943	Washer, Hardened
19	127380	Bracket, Stabilizer Link	62	153390	Washer Felt
20	138496	Blade, Mwr 36 High Lift	--	130794	Mandrel Assembly (Includes Key Numbers 21-23, 26, 29 and 45-48)
21	140296	Washer, Hard Blade Mower Vented	--	156866	Deck, Serv 36 HP
22	10030600	Washer, Lock, Heavy 3/8			
23	850857	Bolt 3/8-24 x 1-1/4 Grade 8			
24	140329	Stripper			
25	138776	Screw, Thdrol. Hex Hd.			
27	156600	Housing, Mower			
28	153531	Pulley, Mandrel			
29	137266	Nut, Flangelock 9/16			

NOTE: All component dimensions given in U.S. inches
1 inch = 25.4 mm.

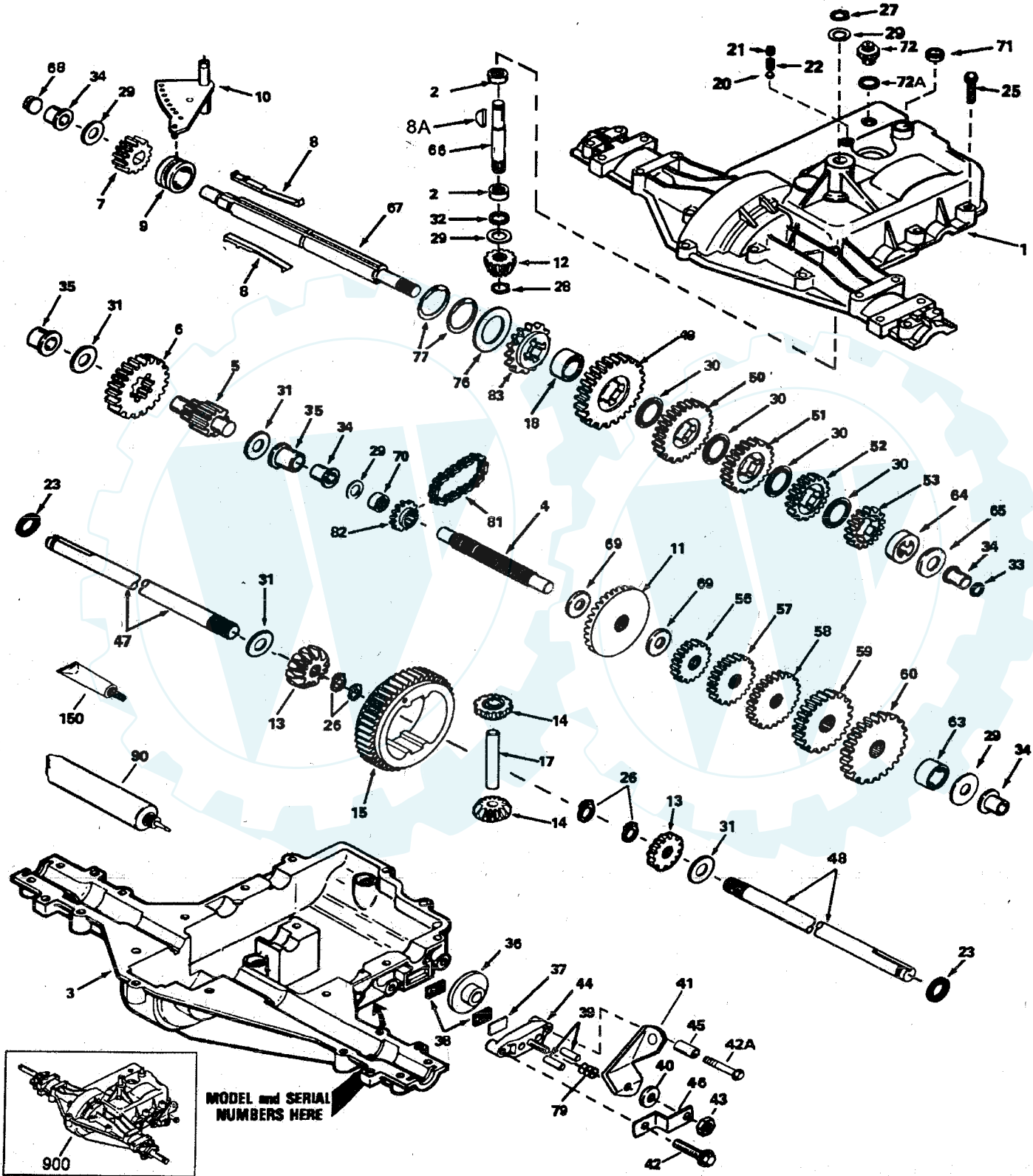
HARDWARE SHOWN LARGER FOR EASIER IDENTIFICATION

Der Ersatzteilspesialist im Internet.

REPAIR PARTS

TRACTOR - - MODEL NUMBER AY1236C

PEERLESS TRANSAXLE - MODEL NUMBER 930-009A



REPAIR PARTS

www.ersatzteil-service.de

TRACTOR - - MODEL NUMBER AY1236C

PEERLESS TRANSAXLE - MODEL NUMBER 930-009A

REF PART NO. NO.	DESCRIPTION	REF PART NO. NO.	DESCRIPTION
1 772108A	Cover, Transaxle	42A 792085A	Screw 1/4-20 x 2-1/4
2 780086	Bearing, Needle	43 792075	Locknut 5/16-24
3 770102A	Case, Transaxle	44 790025	Holder, Brake Pad
4 776260	Shaft, Counter	45 786066	Spacer
5 776219B	Shaft and Pinion Assembly, Output	46 786086	Bracket, Brake Lever
6 778139	Gear, Output	47 774690	Axle 11-5/16" long
7 778136	Gear, Spur, 15 Teeth	48 774691	Axle 16-1/2" long
8 792136A	Key, Shift	49 778191	Gear, Spur, 37 Teeth (1 st)
8A 792047	Key, Woodruff	50 778124A	Gear, Spur, 30 Teeth (2 nd)
9 784352	Collar, Shifter	51 778123A	Gear, Spur, 25 Teeth (3 rd)
10 784355	Rod and Fork Assembly, Shift	52 778122A	Gear, Spur, 22 Teeth (4 th)
11 778229	Gear, Bevel, 42 Teeth	53 778273	Gear, Spur, 19 Teeth, Steel (5 th)
12 778113A	Bevel Pinion, Input	56 778230	Gear, Spur, 12 Teeth (1 st)
13 778221	Gear, Bevel	57 778126A	Gear, Spur, 20 Teeth (2 nd)
14 778068	Gear, Bevel Pinion	58 778127A	Gear, Spur, 25 Teeth (3 rd)
15 778260	Gear, Ring	59 778128A	Gear, Spur, 28 Teeth (4 th)
17 786139	Pin, Drive	60 778163	Gear, Spur, 31 Teeth (5 th)
18 786102	Spacer, Neutral	63 786071	Spacer
20 792077	Ball, Steel 5/16" diameter	64 786072	Spacer
21 792078	Set Screw 3/8-16 x 3/8	65 780109	Washer, Thrust
22 792079	Spring	66 776135	Shaft, Input
23 788061	Ring, Seal	67 776315A	Shaft, Brake, 4 Keyed
25 792073	Screw, Flanged Hex Head, Thread Forming 1/4-20 x 1-1/4	68 786116A	Plug
26 792125	Ring, Retainer (4 Required, Package of 2)	69 780051	Washer, Thrust
27 792035	Ring, Retainer	70 786118	Spacer
28 788040	Ring, Retainer	71 788069	Seal, Square Cut
29 780072	Washer, Thrust	72 792165	Plug, Threaded 9/16-18
30 780108	Washer, Thrust	72A 788091	"O" Ring
31 780001	Washer	76 780090	Washer, Thrust
32 792001	"O" Ring	77 788078A	Ring, Retaining, Inverted (Package of 2)
33 788095	Seal, Square Cut	79 792144	Spring, Brake
34 780105A	Bushing, Flanged	81 786081	Chain, Roller (Number 41 Chain, 24 Links)
35 780118A	Bushing, Flanged	82 786082	Sprocket, 9 Teeth (Reverse)
36 790003	Disk, Brake	83 786123	Sprocket, 18 Teeth (Reverse)
37 790007	Plate, Brake Pad	90 788067B	Grease, Bentonite, 32 Ounce Bottle
38 799021	Pad, Brake	150 510334	Gasket Eliminator (Loctite #515)
39 786026	Pin, Dowel	900 794528A	Replacement Transaxle
40 792076A	Washer, Flat		
41 790079	Lever, Brake		
42 792073	Screw, Flanged Hex Head, Thread Forming 1/4-20 x 1-1/4		

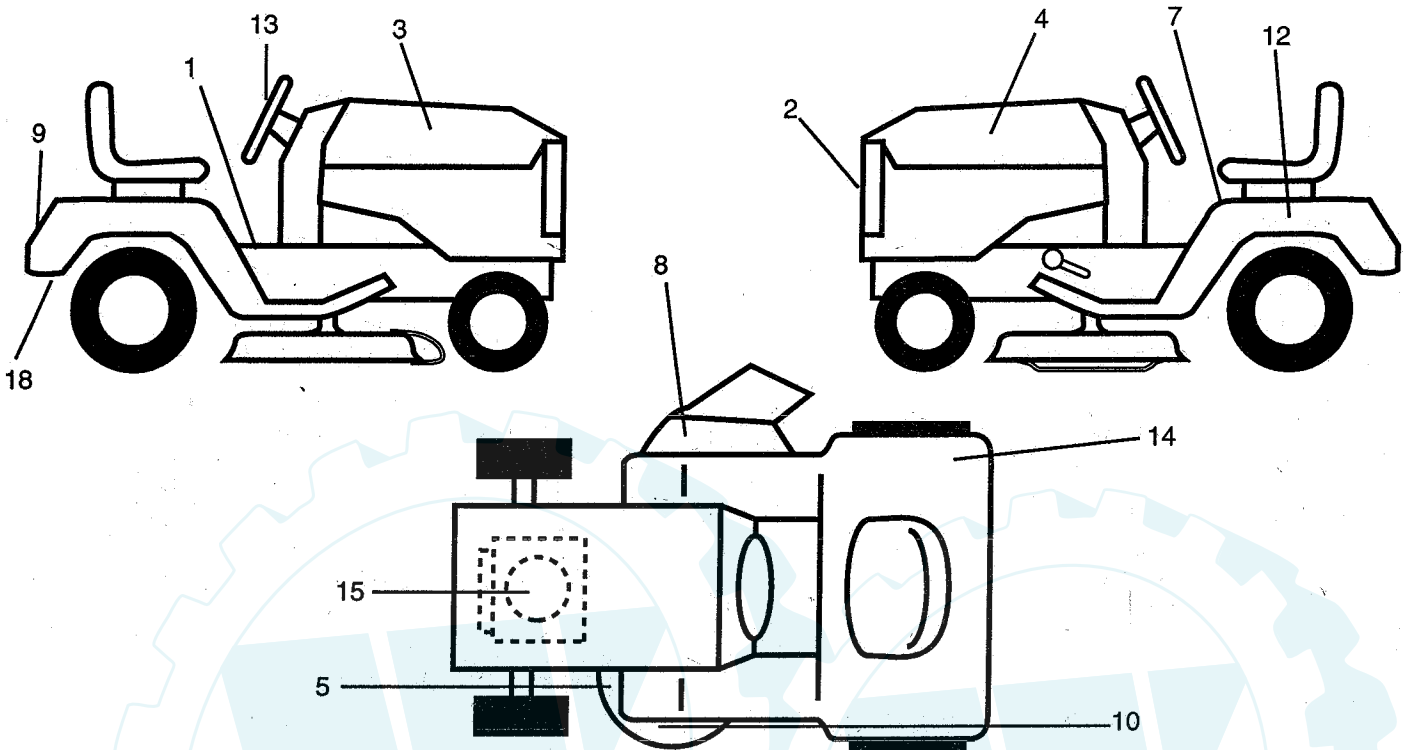
NOTE: All component dimensions given in U.S. inches
1 inch = 25.4 mm

Parts must be ordered from Tecumseh Products Co.

REPAIR PARTS

TRACTOR -- MODEL NUMBER AY1236C

DECALS



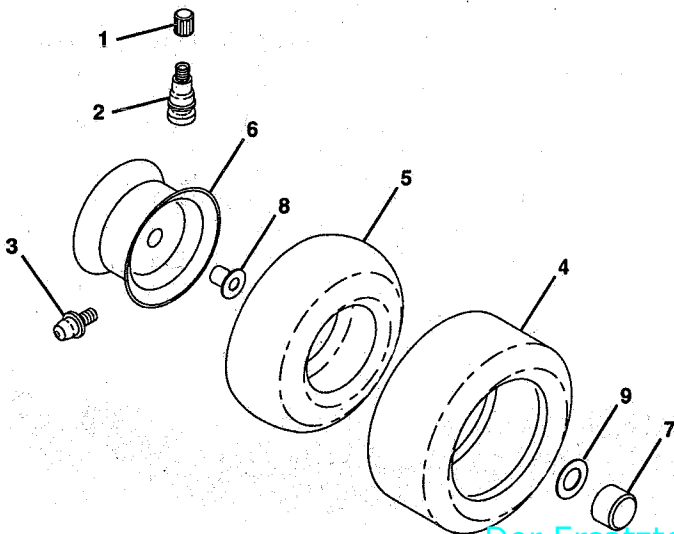
KEY NO.	PART NO.	DESCRIPTION
1	145545	Decal, Inst. Oper. Sym
2	126860X	Decal, Lightbox
3	153230	Decal, Hood, R.H.
4	153231	Dcal, Hood L.H.
5	136830	Decal, V-Belt Sch.
7	145498	Decal, Read Owner's Manual Sym
8	145494	Decal, Cutfinger Sym
9	152197	Decal, Fender
10	141517	Decal, Deck, Mower

KEY NO.	PART NO.	DESCRIPTION
12	145005	Decal, Caution, Battery
13	152198	Decal, Insert, Steering
14	125690X	Decal 100 Db
15	271967	Decal, Engine
18	145437	Decal, Europe, Stand, CE
--	138311	Decal, Handle, Lift
--	157065	Manual, Operator's, (Euro)
--	158579	Manual, Repair Parts

Available accessories are not included with your tractor:

- C36 Rear Bagger
- MK36 Mulcher Kit

TIRES & WHEELS



KEY NO.	PART NO.	DESCRIPTION
1	59192	Cap, Valve
2	65139	Stem, Valve
3	278H	Fitting, Grease (Front Only)
4	137422	Tire, Front
	132703	Tire, Rear
5	59904	Tube, Tire, Front
		(Optional, Service Item Only)
	8134H	Tube, Tire, Rear
		(Optional, Service Item Only)
6	137237X427	Rim Assembly, Front
	140325X427	Rim Assembly, Rear
7	104757X	Cap, Axle
8	9040H	Bearing, Flange (Front Only)
9	121748X	Washer, Axle Cap
--	144334	Sealant, Tire (10 oz. Tube)

NOTE: All component dimensions given in U. S. inches