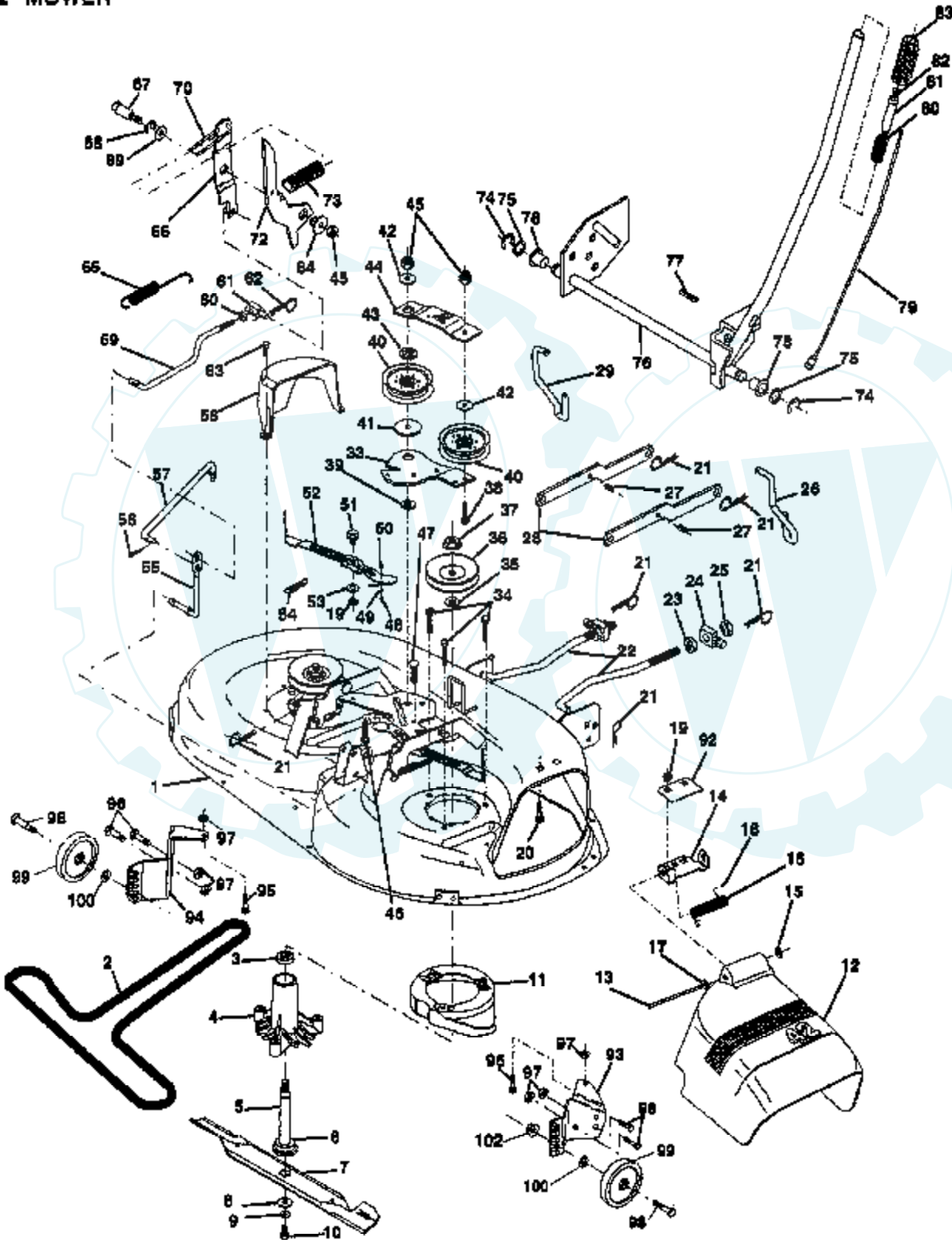


**18 HP 42" RIDING LAWN TRACTOR - - MODEL NUMBER 951890**  
**42" MOWER**

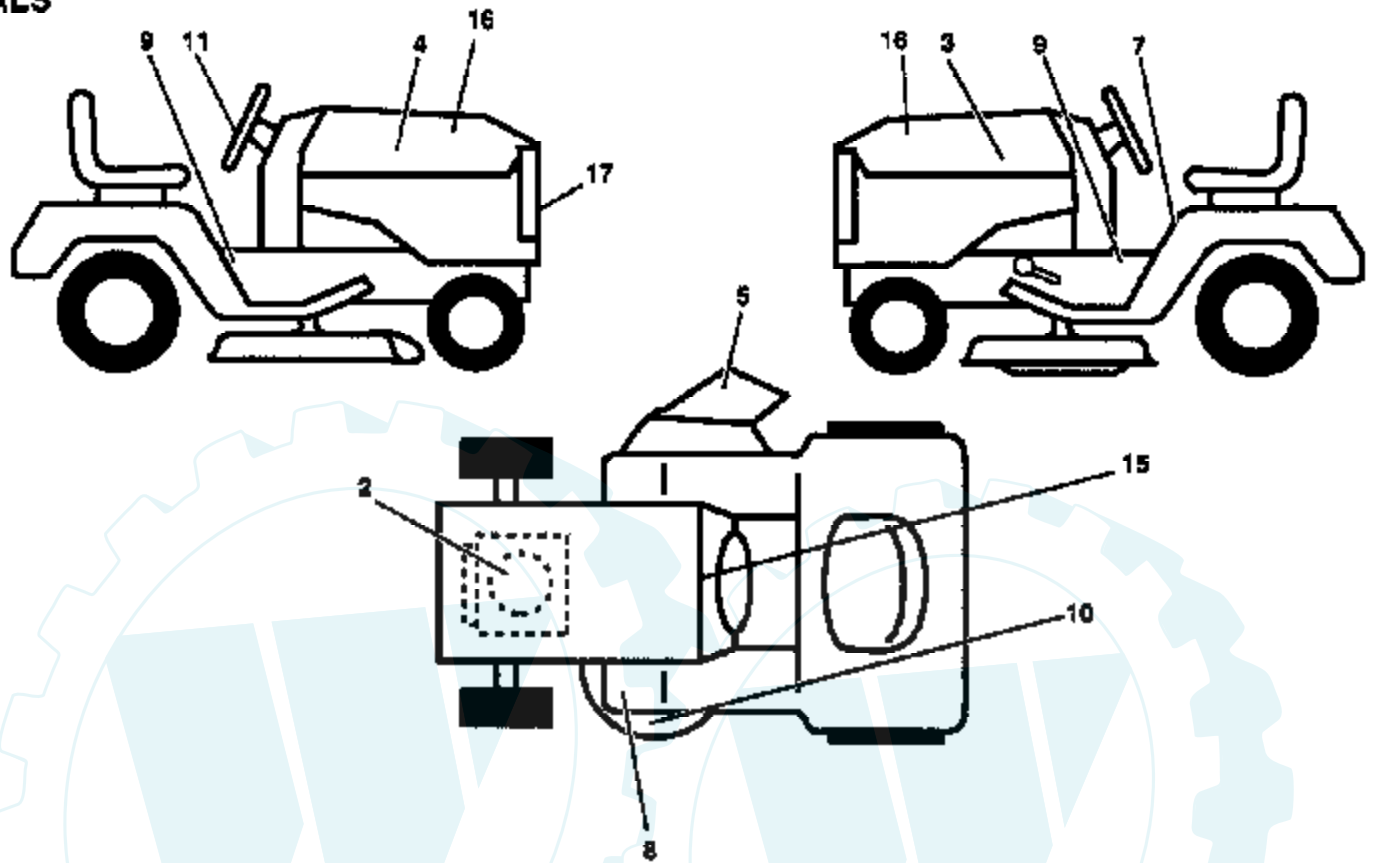


Ref #	Part Number	Qty	Description
1	130970		SUB= 145338
2	130969		BELT-V.92.4.MWR
3	110485X		BEARING
4	128774		HSG ASM MANDREL
5	133172		SUB= 137646
6	129895		BEARING.BALL
7	127843		SUB= 138498
8	129962		WASHER BLADE
9	10030600		SUB= 10040600
10	850857		BLADE BOLT
11	128961		SUB= 140329
12	130968		DEFLECTOR.SHIELD
13	131491		HINGE ROD
14	131267		DEFLECTOR BRKT
15	110452X		NUT PUSH M
16	123713X		SPRING TORSION
17	19111016		WASHER
18	105304X		CAP-SLEEVE LT
19	73680500		SUB= 73690500
20	72140506		BOLT
21	4939M		SUB= 85902
22	127218		LINK.FRONT
23	73350800		NUT
24	130171		TRUNION
25	73800800		NUT.LK.W/WSH.1/2.
26	135388		LIFT LINK RH
27	135563		"PIN,SPRING"
28	130833		SUSP ARM ASM REAR
29	134619		LINK LIFT LH
33	133844		IDLER ARM
34	78158		SUB= 17580520
35	129963		WASHER
36	129861		SUB= 153535
37	73050900		SUB= 139729
38	72110614		BOLT
39	133943		HARDENED WASHER
40	131494		FLAT IDLER PULLEY
41	122052X		SPACER RETAINER
42	19131612		WASHER GT
43	133502		RETAINER SPACER
44	133503		IDLER ARM STIFF
45	73680600		SUB= 73690600
46	72110618		BOLT CARRIAGE
47	133835		XMAS TREE FASTNER
48	131340		SHOULDER BOLT
49	133940		SUB= 151785
50	69180		LOCKNUT
51	105529X		SUB= 139888
52	131845		BRAKE PAD ARM ASM
53	133944		HARD SMALL WASHER
54	131335		SPRING EXTENSION
55	133551		PIVOT ROD
56	76020312		SUB= 3145
57	133504		CLUTCH ROD SECOND
58	131857		SUB= 140088
59	133550		SUB= 142427
60	73350600		NUT
61	133205		TRUNION

Ref #	Part Number	Qty	Description
62	4497H		RETAINER M
63	17720410		SCREW LT
64	127498		BUSHING
65	131870		RETURN SPRING
66	127847		CLUTCH ARM SECOND
67	128903		SHOULDER BOLT
68	12000029		RING
69	121748X		WASHER
70	127845		SPRING KEEPER
71	132044		SUB= 532132044
72	131813		SUB= 532131813
73	128759		SUB= 918128759
74	12000002		SUB= 2225J
75	19211416		WASHER
76	131172		SUB= 132172
77	105767X		PIN-GROOVE LT
78	120183X		NYLON BEARING
79	132175		SUB= 136973
80	122512X		SUB= 532122512
81	122364X		SUB= 125925X
82	124526X		SUB= 125925X
83	109413X		GRIP
92	134753		STIFFENER BRKT
93	132262		SUB= 155198
94	132263		SUB= 155197
95	72110504		SUB= 872110504
96	74760512		BOLT
97	73680500		SUB= 73690500
98	134249		SUB= 4898H
99	105455X		WHEEL.GAGE.BLK.PL
100	19171512		WASHER
102	73980600		NUT SPECIAL T
	134745		SUB= 145411
	130794		MANDREL ASM

## 18 HP 42" RIDING LAWN TRACTOR - - MODEL NUMBER 951890

### DECALS



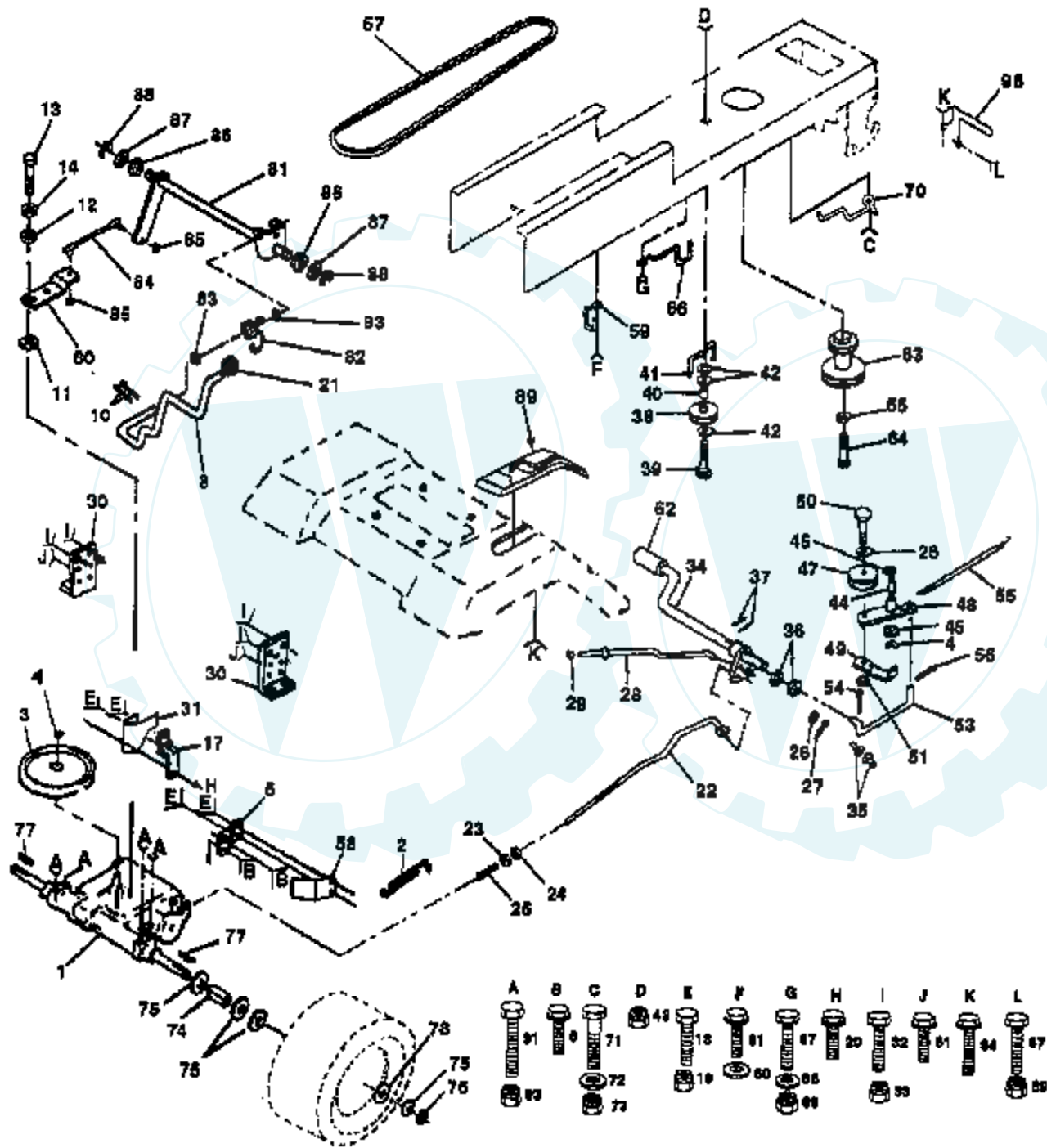
**NOTE:** All component dimensions given in U.S. inches  
1 inch = 25.4 mm.

Ref #	Part Number	Qty	Description
2	135429		DECAL.ENG.272757
3	135016		NLA
4	135015		NLA
5	121343X		DECAL WARING
7	133796		DECAL
8	4900J		DECAL T
9	135017		NLA
10	3713J		DECAL INSTRUCTION CAUTION
11	135018		NLA
15	108456X		SUB= 138955
16	135019		NLA
17	135020		NLA
	134966		MANUAL



### 18 HP 42" RIDING LAWN TRACTOR - - MODEL NUMBER 951890

#### DRIVE



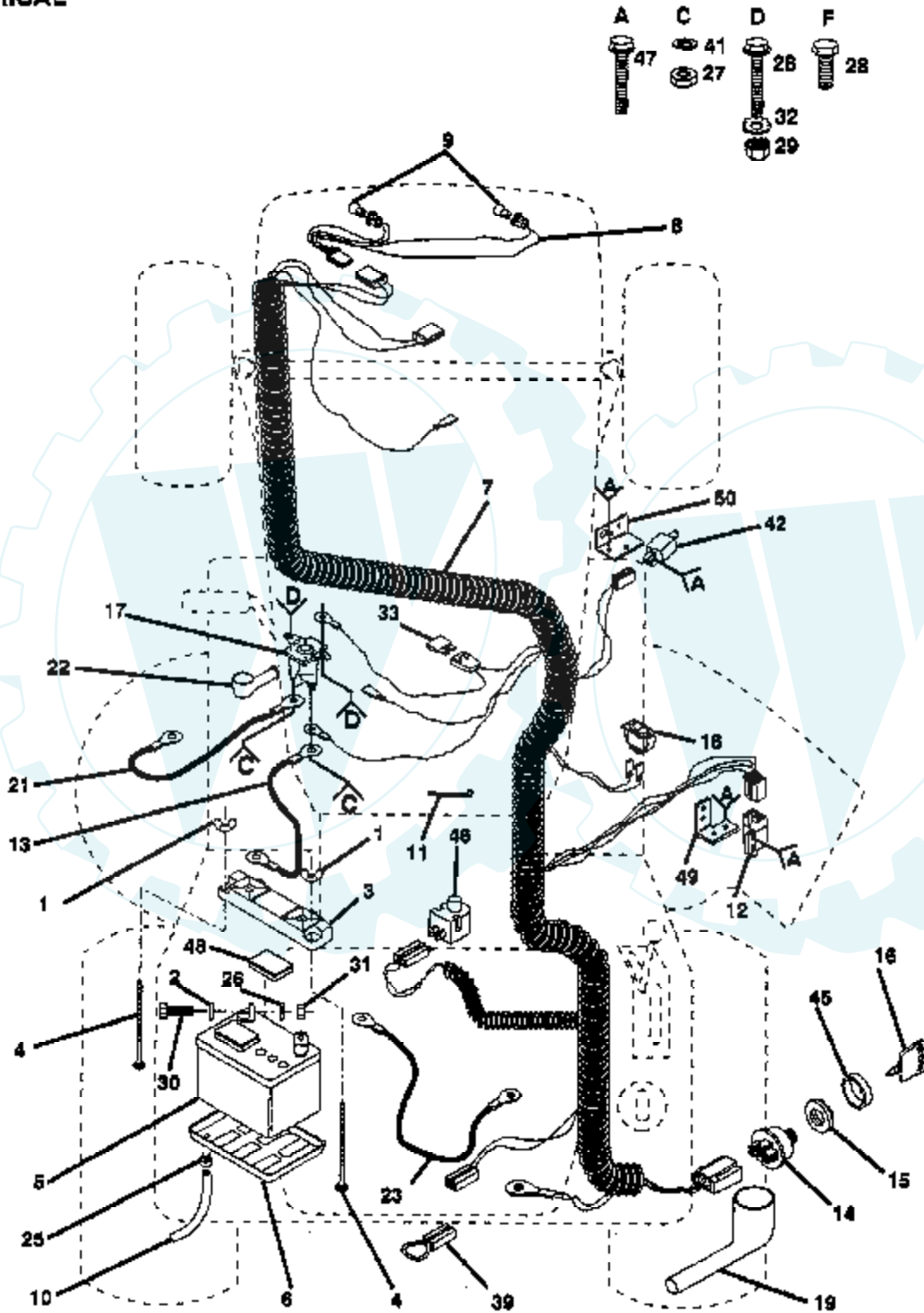
Ref #	Part Number	Qty	Description
1	131965		SUB= 137367
2	110422X		SUB= 146682
3	123667X		"PULLEY,TRANSAXLE"
4	12000028		SUB= 2267J
5	121520X		STRAP TORQUE
6	17490512		SCREW
8	127270		SUB= 141003
10	76020416		PIN COTTER 1/8
11	105701X		WASH-SHFT PLT LT
12	19151216		WASHER
13	71040412		SUB= 74550412
14	10040400		LOCKWASHER
17	121520X		STRAP TORQUE
18	74760612		SUB= 74780612
19	73680600		SUB= 73690600
20	17490512		SCREW
21	106933X		KNOB T (1/2-HOLE)
22	130804		BRAKE ROD
23	73800600		NUT
24	73350600		NUT
25	106888X		SPRING ROD LT
26	19131316		WASHER
27	76020412		COTTER PIN
28	133261		BRAKE PARK ROD
29	71673		PLUNGER CAP T
30	130807		TRANSAXLE MTG BKT
31	127289		"KEEPER,BELT LH"
32	74760512		BOLT
33	73680500		SUB= 73690500
34	122424X		SUB= 149001
35	120183X		NYLON BEARING
36	19211616		WASHER LT
37	1572H		SUB= 2882J
38	123674X		PULLEY.IDLER.FLAT
39	74760644		BOLT
40	4470J		SPACER T
41	109070X		BELT KEEPER LT
42	19131312		WASHER
43	73680600		SUB= 73690600
44	105706X		"LY, BEARING"
45	110812X		WASHER LT
46	12000039		KLIP RING
47	127783		SUB= 139245
48	123789X		ARM IDLER
49	123205X		RETAIN BELT
50	74760624		SUB= 74930624
51	73680600		SUB= 73690600
52	19131616		WASHER HYT
53	105710X		"LINK, CLUTCH T"
54	76020412		COTTER PIN
55	105709X		"SPRING, RETURN LT"
56	76020412		COTTER PIN
57	131006		BELT-V
58	127290		"KEEPER,BELT RH"
59	104777X		SUB= 140312
60	19131312		WASHER
61	17490612		SCREW
62	8883R		PEDAL COVER T

Ref #	Part Number	Qty	Description
63	134825		SUB= 136004
64	71170764		BOLT
65	10040700		LOCKWASHER
66	129921		KEEPER.BELT.ENG.L
67	74760616		BOLT
68	19131312		WASHER
69	73680600		SUB= 73690600
70	134683		KEEPER BELT ENG
71	74760616		BOLT
72	19132012		WASHER
73	73680600		SUB= 73690600
74	109502X		SPACER LT
75	121749X		WASHER
76	12000001		E-RING LT
77	123583X		SQUARE KEY
78	121748X		WASHER
80	131487		ARM SHIFT TRANS
81	131811		SUB= 136977
82	123782X		"SPRING,TORSION"
83	19171216		WASHER
84	132183		TIE ROD
85	73530400		NUT 1/4-28
86	127272X		"BUSH,PIVOT T"
87	126591X		"WSHER,SHIM"
88	12000003		RING T
89	131636		SUB= 127271
91	74760540		BOLT
93	73680500		SUB= 73690500
94	17490616		SCREW GTV
95	135029		MUFFLER GUARD



### 18 HP 42" RIDING LAWN TRACTOR - - MODEL NUMBER 951890

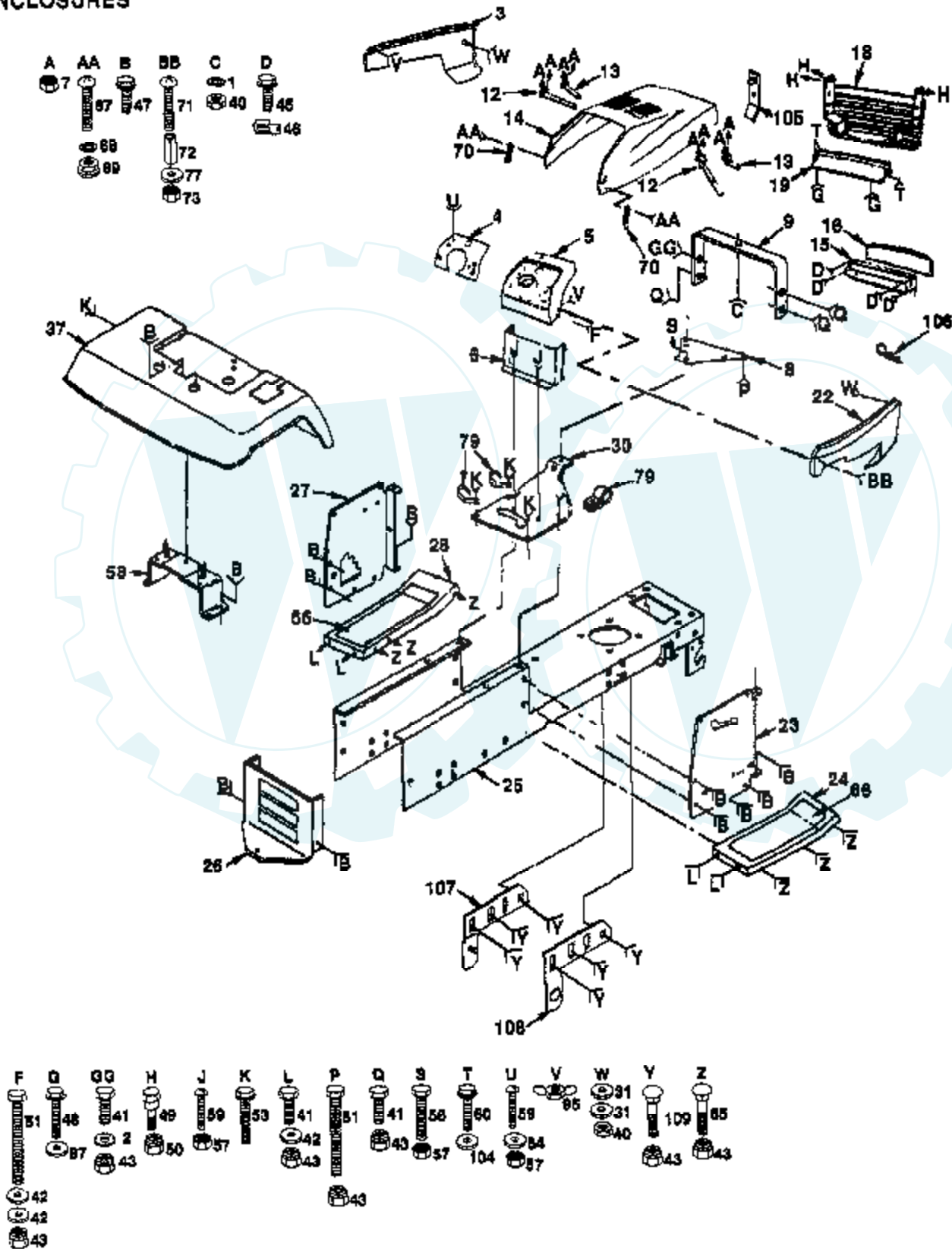
#### ELECTRICAL



Ref #	Part Number	Qty	Description
1	123198X		SUB= 146525
2	19091016		WASHER
3	102476X		SUB= 150109
4	72240460		BOLT
5	121265X		SUB= 123899X
6	7603J		"TRAY T, BATTERY"
7	134979		"HARNESS,IGNITION"
8	127441X		SUB= 136850
9	7662J		SUB= 4152J
10	7604J		SUB= 7697J
11	7192J		WIRE TIE
12	109553X		SWITCH INTERLOCKT
13	4206J		CABLE-BATTERY T
14	4406R		SUB= STD365402
15	124211X		NUT IGNITION
16	122147X		KEY
17	109081X		SUB= 146154
18	110712X		SWITCH LT
19	124083		SUB= 124083X
21	4799J		"CABLE T, BATTERY"
22	131563		SUB= 154336
23	4207J		CABLE T
25	109596X		HOSE CLAMP T
26	10040400		LOCKWASHER
27	73350400		NUT
28	74780408		BOLT
29	73510400		NUT
30	74760412		BOLT LT
31	73220400		SUB= 50675
32	11050400		LOCKWASHER
33	108824X		FUSE HYT
41	10090400		SUB= 10040400
42	104445		SUB= 104445X
45	123620X		SUB= 141226
46	121305X		SWITCH SEAT
47	17021008		SCREW
48	121264X		"CAP,BATTERY "
49	108236		SUB= 108236X
50	130890X		SUB= 130890

### 18 HP 42" RIDING LAWN TRACTOR - - MODEL NUMBER 951890

#### ENCLOSURES



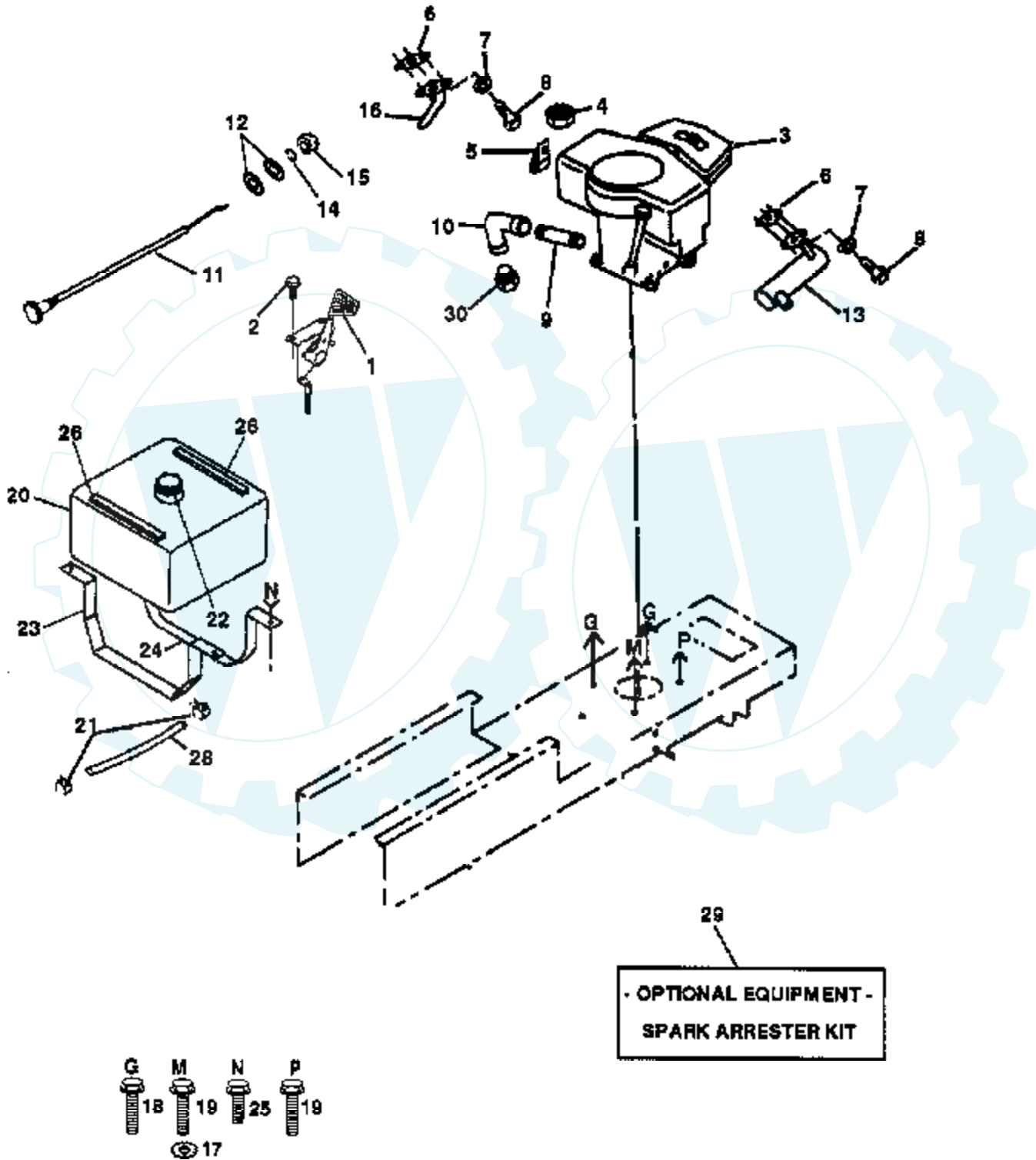
Ref #	Part Number	Qty	Description
1	10040400		LOCKWASHER
2	11050600		LOCKWASHER
3	132637X417		"PANEL,SIDE LH"
4	134829X011		"PLATE,DASH"
5	124252		SUB= 140398
6	132177		LOWER DASH
7	73510400		NUT
8	106965X		SUB= 140181
9	124130X		SUPPORT ASSY
12	106784X		SUB= 155013
13	104618X		SUB= 155013
14	132635X510		HOOD
15	124392X417		SUB= 147717
16	106395X		LENS LT
18	131716		SUB= 532131716
19	105419X417		"STRAP,GRILL"
22	132636X417		"PANEL,SIDE RH"
23	132069		SUB= 532132069
24	105464X417		SUB= 145243X417
25	135034		SUB= 145501
26	130805		SUB= 145009
27	132178		DASH PANEL LH
28	105465X417		SUB= 145244X417
30	127543X014		SADDLE
31	19091216		WASHER PM
37	126599X510		FENDER
40	73220400		SUB= 50675
41	74760612		SUB= 74780612
42	19131312		WASHER
43	73680600		SUB= 73690600
45	17211010		SCREW LT
46	104755X		""J"" FASTENER LT"
47	17490612		SCREW
48	17490512		SCREW
49	123481X		SUB= 7605J
50	73680400		SUB= 73690400
51	74760620		SUB= 74780620
53	17490608		SCREW LT
56	74780512		BOLT
57	73510500		NUT
58	109873X		SUB= 136619
59	74180512		SCREW
60	17490412		SCREW HEX CRT
65	72110606		BOLT
66	133671		FOOTREST PAD
67	74191008		SCREW
68	10071000		LOCKWASHER
69	2029J		WELDNUT
70	109808X		HOOD LATCH T
71	74981020		SCREW
72	7206J		SPACER LT
73	73731000		NUT
75	126656X		SUB= 140551
77	19070818		WASHER
79	2751R		CLIP T
84	19111116		WASHER
87	19131210		WASHER
95	123198X		SUB= 146525

Ref #	Part Number	Qty	Description
104	19091016		WASHER
105	32644		SUB= 532132644
106	4921H		SPRING.RETAINER
107	134774		PIVOT BRKT LH
108	134775		PIVOT BRKT RH
109	72110606		BOLT



### 18 HP 42" RIDING LAWN TRACTOR - - MODEL NUMBER 951890

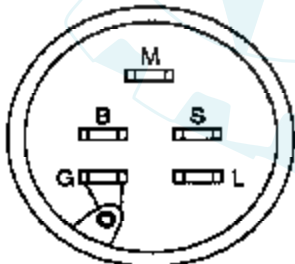
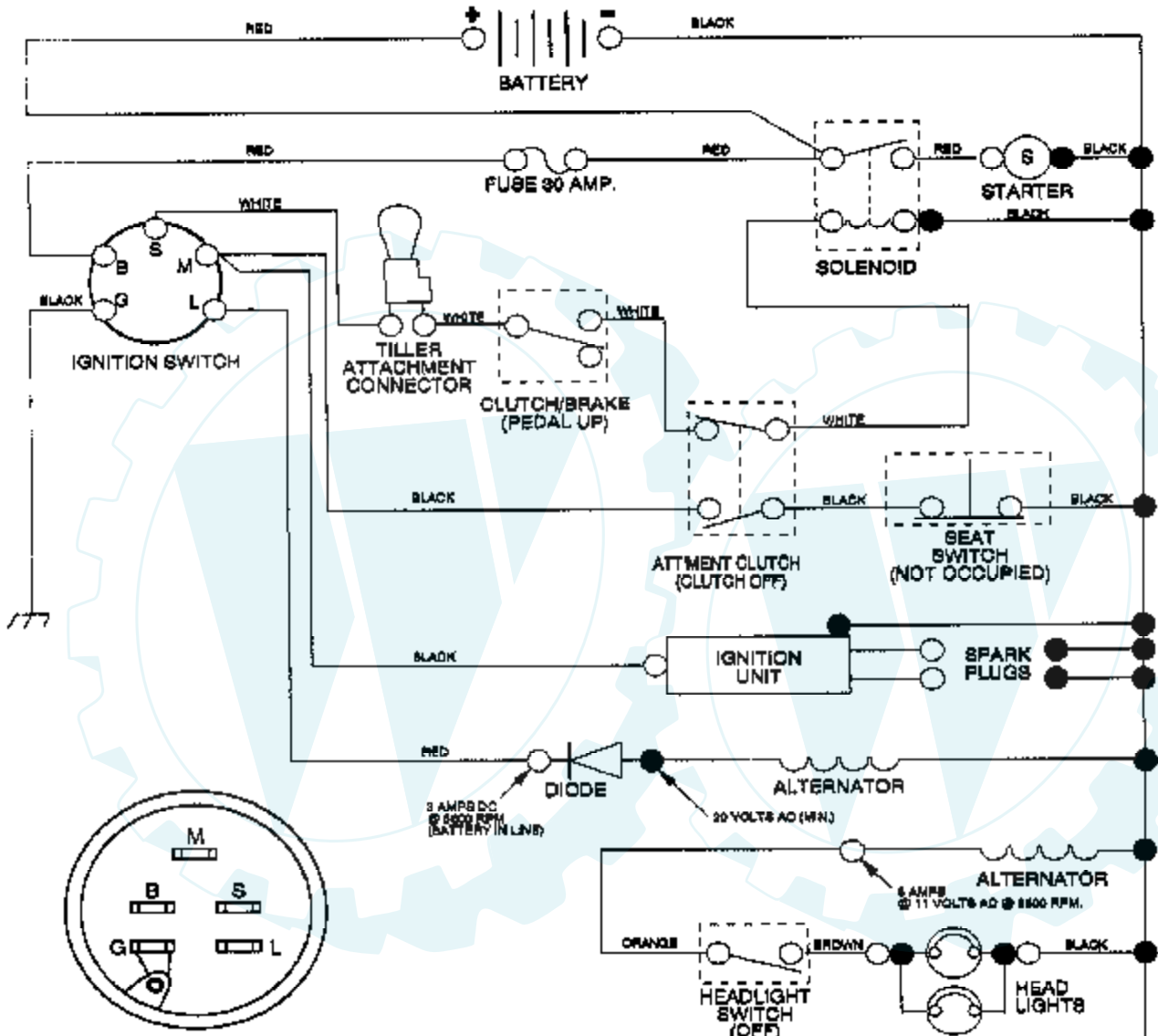
#### ENGINE



Ref #	Part Number	Qty	Description
1	132747		SUB= 532132748
2	17720410		SCREW LT
3			REFER TO IMAGE
4	73510600		NUT
5	2751R		CLIP T
6	8545J		SUB= 272250
7	10040400		LOCKWASHER
8	74780412		SUB= 74780414
9	13280336		PIPE NIPPLE LT
10	13200300		ELBOW
11	132781		CHOKE CONTROL
12	19131316		WASHER
13	108373X		MUFFLER HYT
14	11050600		LOCKWASHER
15	73610600		SUB= 7810H
16	100229L		EXHAUST TUBE T
17	11050600		LOCKWASHER
18	17490624		SCREW LT
19	17490628		SCREW LT
20	127813		SUB= 141291
21	123487X		HOSE CLAMP
22	123549X		SUB= 158990
23	123803X		"STRAP,TANK"
24	127530		"STRAP,TANK "
25	17490608		SCREW LT
26	126564X		"STRIP,FORM"
28	7833R		HOSE T
29	121851X		SUB= 532137180
30			REFER TO IMAGE

### 18 HP 42" RIDING LAWN TRACTOR -- MODEL NUMBER 951890

#### SCHEMATIC



IGNITION SWITCH

POSITION	CIRCUIT
OFF	M + G
ON	B + L
START	B + S

WIRING INSULATED CLIPS

NOTE: IF WIRING INSULATED CLIPS WERE REMOVED FOR SERVICING OF UNIT, THEY SHOULD BE REPLACED TO PROPERLY SECURE YOUR WIRING

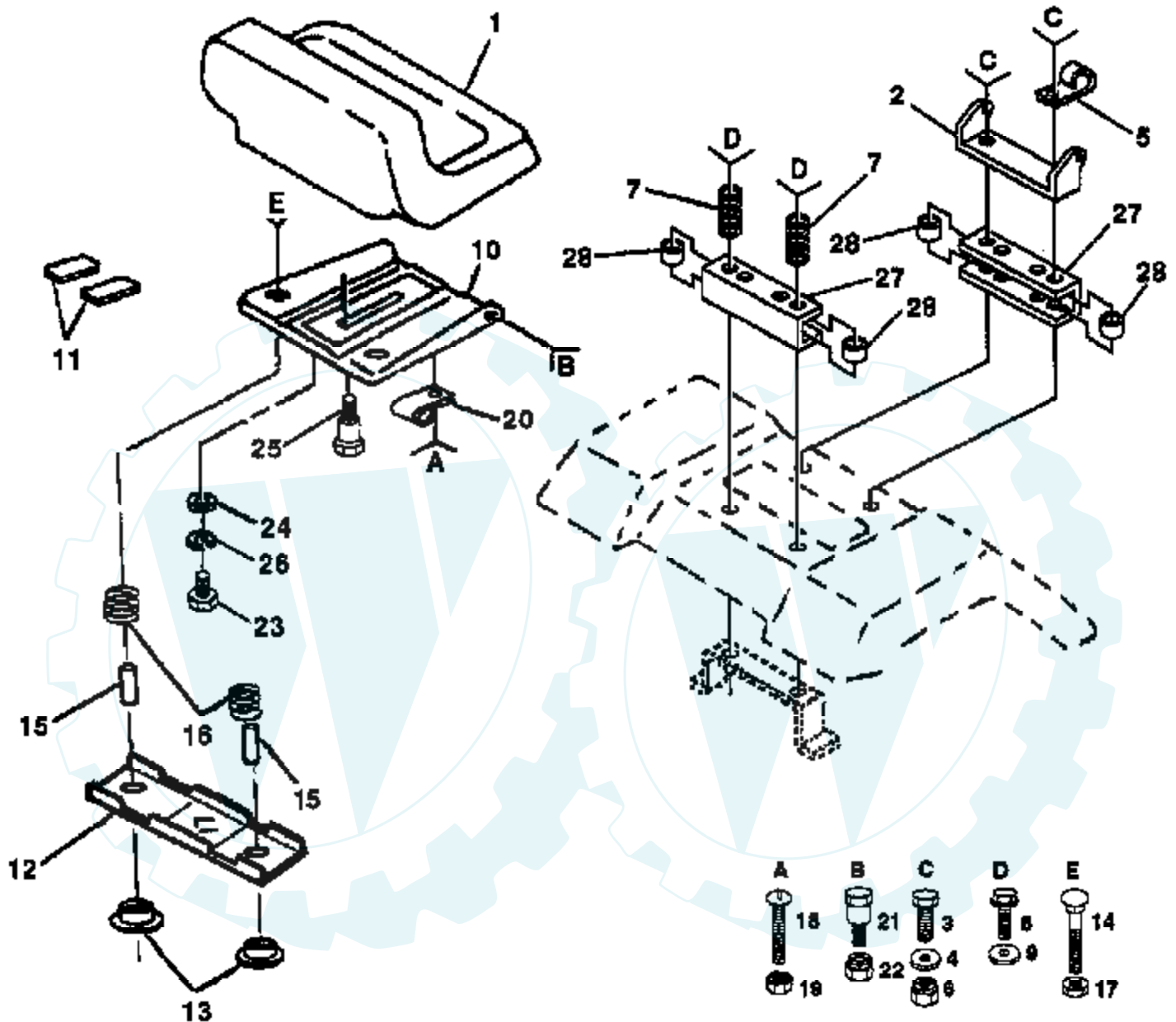
NOTE

YOUR TRACTOR IS EQUIPPED WITH A SPECIAL ALTERNATOR SYSTEM. THE LIGHTS ARE NOT CONNECTED TO THE BATTERY, BUT HAVE THEIR OWN ELECTRICAL SOURCE. BECAUSE OF THIS, THE BRIGHTNESS OF THE LIGHTS WILL CHANGE WITH ENGINE SPEED. AT IDLE THE LIGHTS WILL DIM. AS THE ENGINE IS SPEEDED UP, THE LIGHTS WILL BECOME THEIR BRIGHTEST.





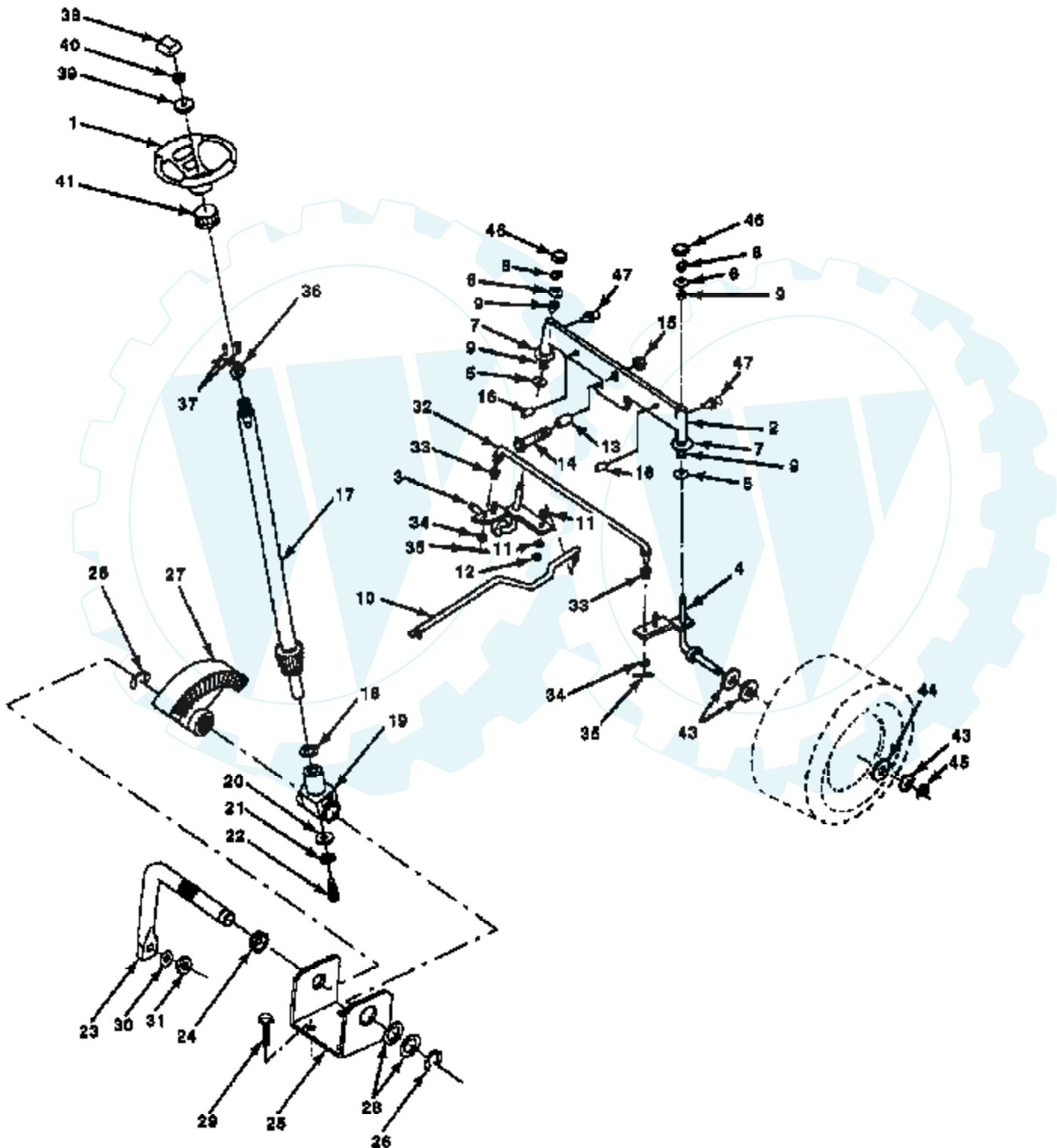
# 18 HP 42" RIDING LAWN TRACTOR - - MODEL NUMBER 951890 SEAT ASSEMBLY

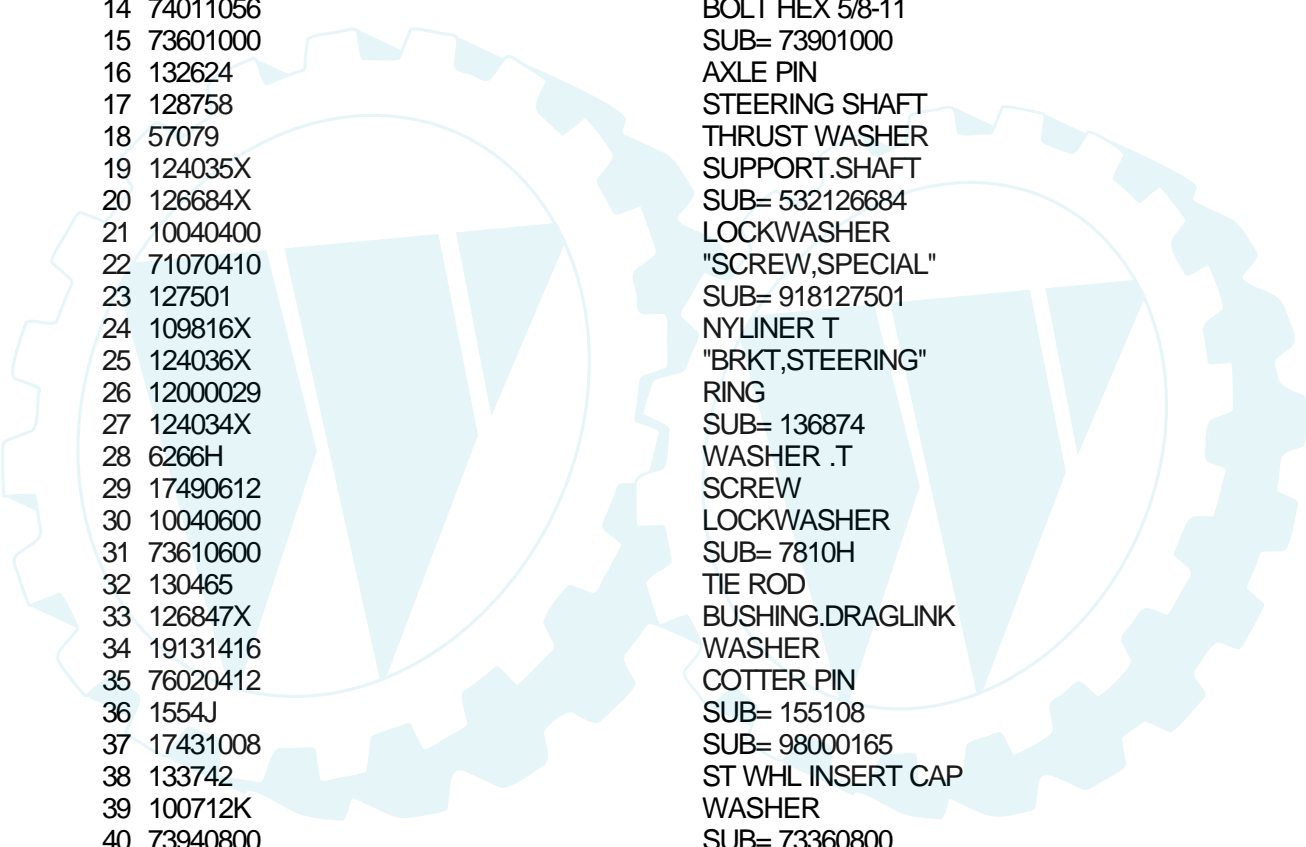


**NOTE:** All component dimensions given in U.S. Inches  
1 inch = 25.4 mm

Ref #	Part Number	Qty	Description
1	127424X		SUB= 140121
2	126656X		SUB= 140551
3	74760640		BOLT
4	19131210		WASHER
5	2751R		CLIP T
6	73680600		SUB= 73690600
7	124181X		SPRING COMPRESSIO
8	17490640		SCREW
9	19131614		WASHER
10	131451		SUB= 155925
11	121251X		STRIP FORM
12	121246X		BRKT SWITCH
13	121248X		BUSHING
14	72050411		SUB= 872050411
15	121249X		SPACER SPLIT
16	121250X		SPRING
17	123976X		SUB= 73900400
18	74641008		SUB= 71031008
19	73951000		"NUT,KEPS"
20	4171R		CLIP T
21	105529X		SUB= 139888
22	73680500		SUB= 73690500
23	74780814		BOLT
24	19171912		WASHER
25	127018X		"BOLT,SHOULDER"
26	10040800		LOCKWASHER
27	131772		SEAT SPACER
28	131771		SPLIT SPACER

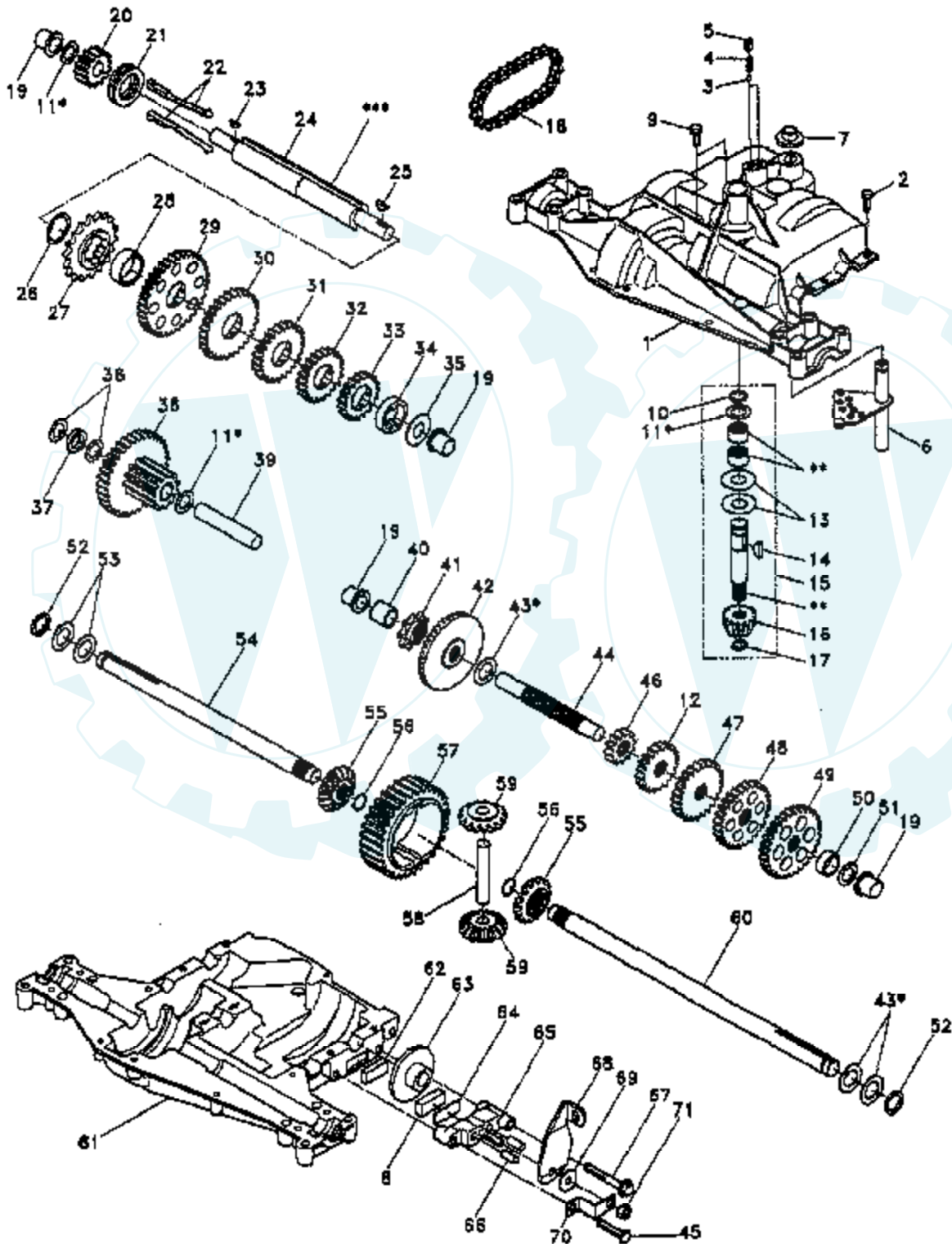
### 18 HP 42" RIDING LAWN TRACTOR - - MODEL NUMBER 951890 STEERING ASSEMBLY





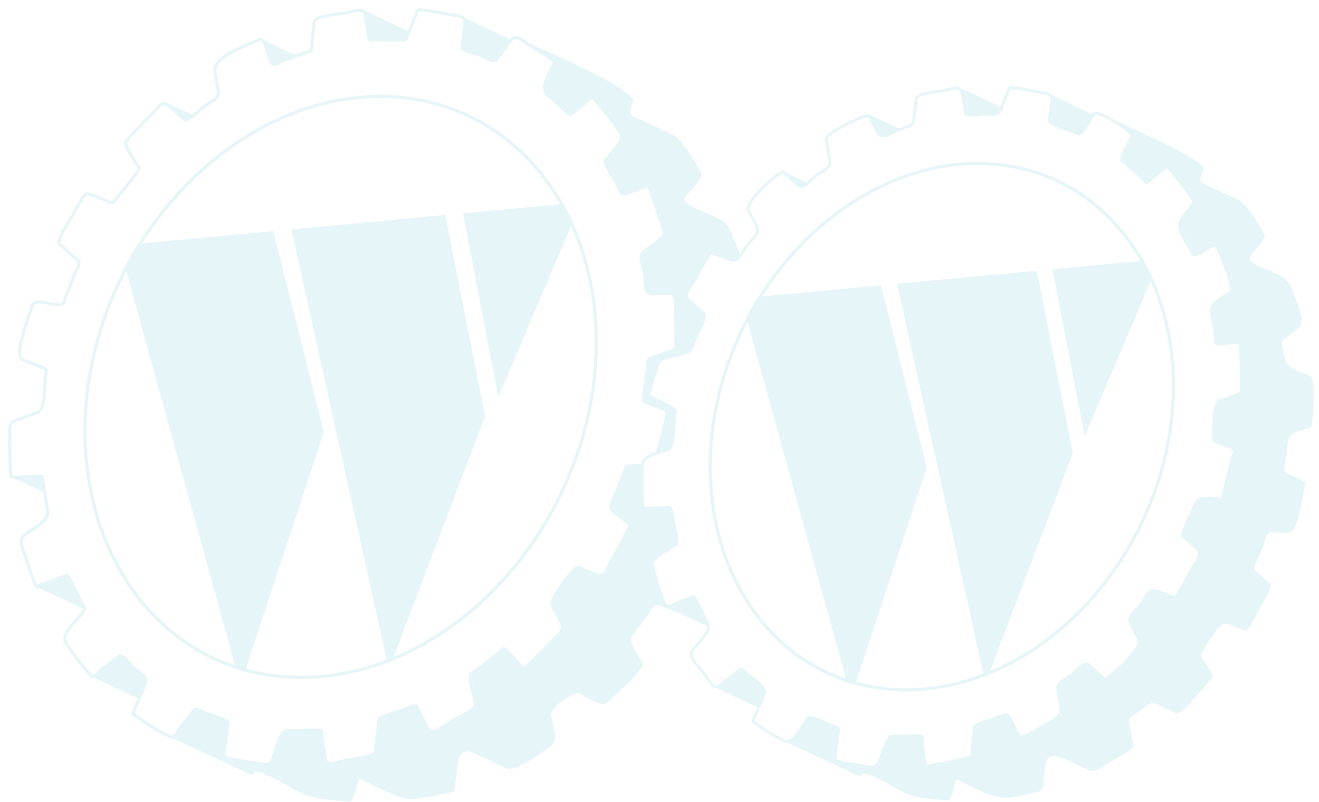
Ref #	Part Number	Qty	Description
1	133741		SUB= 150547
2	133988		SUB= 142033
3	135227		SPINDLE LH
4	135228		SPINDLE RH
5	6266H		WASHER .T
6	121748X		WASHER
7	19272016		WASHER
8	12000029		RING
9	3366R		COL. SRTG. BEAR.
10	130468		SUB= 532130468
11	10040600		LOCKWASHER
12	73610600		SUB= 7810H
13	110438X		BEARING
14	74011056		BOLT HEX 5/8-11
15	73601000		SUB= 73901000
16	132624		AXLE PIN
17	128758		STEERING SHAFT
18	57079		THRUST WASHER
19	124035X		SUPPORT.SHAFT
20	126684X		SUB= 532126684
21	10040400		LOCKWASHER
22	71070410		"SCREW,SPECIAL"
23	127501		SUB= 918127501
24	109816X		NYLINER T
25	124036X		"BRKT,STEERING"
26	12000029		RING
27	124034X		SUB= 136874
28	6266H		WASHER .T
29	17490612		SCREW
30	10040600		LOCKWASHER
31	73610600		SUB= 7810H
32	130465		TIE ROD
33	126847X		BUSHING.DRAGLINK
34	19131416		WASHER
35	76020412		COTTER PIN
36	1554J		SUB= 155108
37	17431008		SUB= 98000165
38	133742		ST WHL INSERT CAP
39	100712K		WASHER
40	73940800		SUB= 73360800
41	100711L		ADAPTER LT
43	121749X		WASHER
44	121748X		WASHER
46	121232X		CAP
47	6855M		ZERK M

**18 HP 42" RIDING LAWN TRACTOR - - MODEL NUMBER 951890**  
**TRANSAXLE FOOTE - - MODEL NUMBER 4360-37**

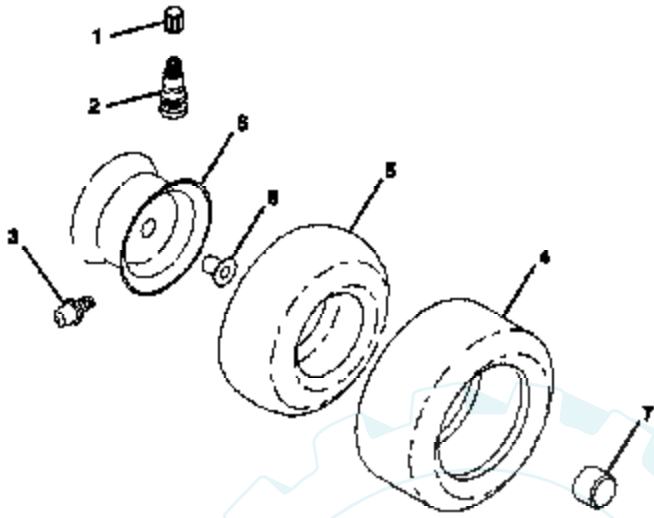


Ref #	Part Number	Qty	Description
1	3865-A		HOUSING UPPER
2	1919		SCREW
3	5112		BALL, DETENT
4	3626		SPRING, DETENT
5	3623		SCREW, SET
6	4601		KIT SHIFTER ASSY
7	5024		BOOT, SHIFTER
8	3907		PUCK, FRICTION
9	5131		SCREW TAPPING WITH SEALER
10	1099		RING RETAINING
11	4689		ASSY, KIT, SHIM .625 SHAFT
12	3707		GEAR SPUR, 15 TEETH
13	3876		WASHER, PLAIN .632 X 1.38 X .046
14	1374		KEY WOODRUFF #9
15	4171		ASSY KIT INPUT SHAFT
16	3725		PINION BEVEL 14 TEETH
17	3624		RING, RETAINING
18	3625		CHAIN, 24 PITCHES
19	1542		BEARING, FLANGE
20	3773		GEAR SPUR, 14 TEETH
21	3631		COLLAR CLUTCH
22	5266		KEY CLUTCH
23	1369		KEY WOODRUFF #3
24	3883		SHAFT INTERMEDIATE
25	1375		KEY, WOODRUFF, #61
26	3627		RING, RETAINING
27	3830		SPROCKET, 18 TEETH
28	3841		SPACER
29	3786		GEAR, SPUR, 37 TEETH
30	3785		GEAR, SPUR, 35 TEETH
31	3867		GEAR, SPUR, 30 TEETH
32	3783		GEAR, SPUR, 25 TEETH
33	3869		GEAR, SPUR, 22 TEETH
34	5202		GEAR, SPUR, 19 TEETH
35	3628		WASHER, PLAIN .640 X 1.37 X .061
36	1423		WASHER, PLAIN .632 X 1.00 X .026
37	3422		SPACER .630 X 1.00 X .169
38	4286		ASSY GEAR COMB 12&35 TEETH
39	3967		SHAFT, IDLER
40	3901		SPACER .635 X .875 X .755
41	3645		SPROCKET, 9 TEETH
42	3589		GEAR, BEVEL, 42 TEETH
43	4691		ASSY, KIT, SHIM .750 SHAFT
44	3882		SHAFT, DRIVE
45	3724		SCREW TAPPING
46	3646		GEAR, SPUR, 12 TEETH
47	3866		GEAR, SPUR, 20 TEETH
48	3719		GEAR, SPUR, 25 TEETH
49	3868		GEAR, SPUR, 28 TEETH
50	3683		GEAR, SPUR, 31 TEETH
51	1145		WASHER, PLAIN .632 X 1.00 X .060
52	5130		WASHER, NEOPRENE
53	3184		WASHER, PLAIN .758 X 1.25 X .031
54	3880		AXLE LEFT HAND
55	3871		GEAR MITER 15 TEETH
56	3656		RING, RETAINING
57	3839		GEAR, SPUR, 32 TEETH
58	3919		SHAFT, CROSS

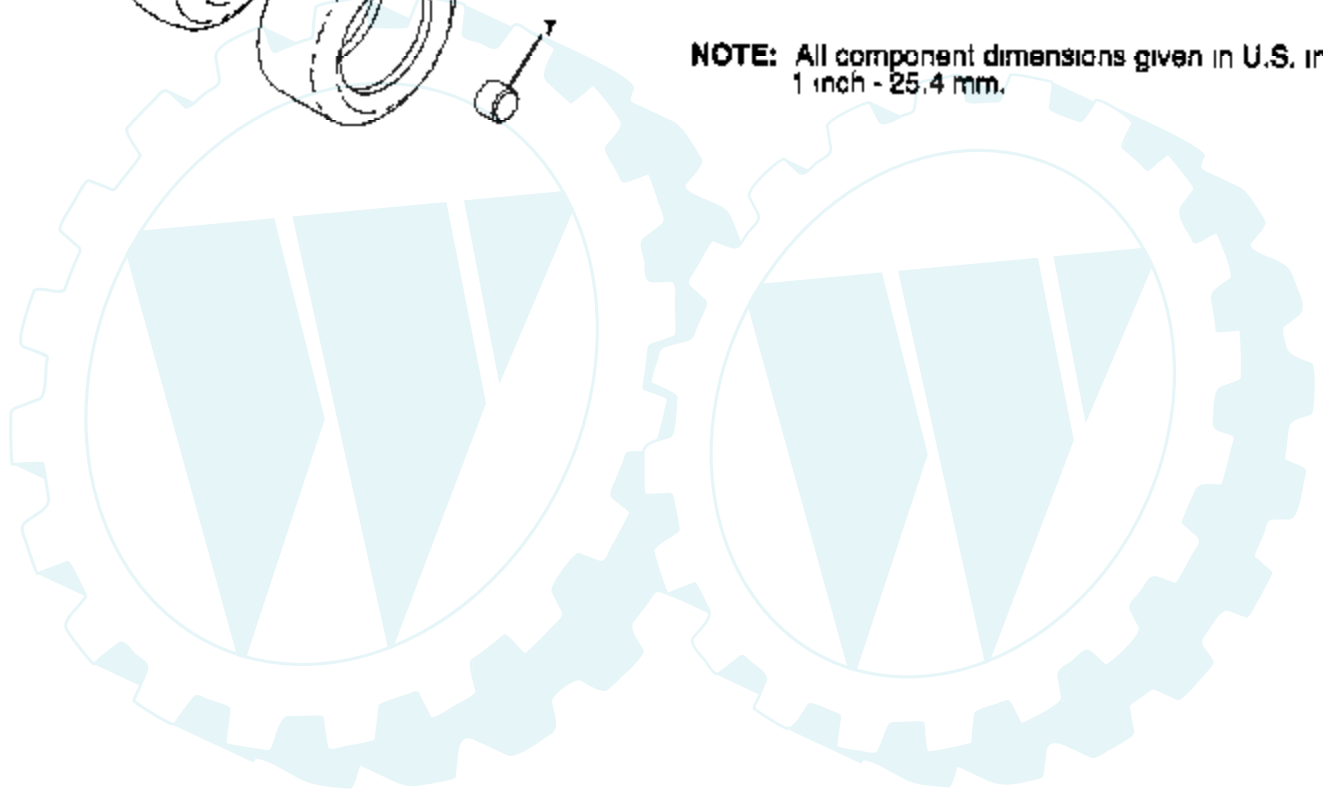
Ref #	Part Number	Qty	Description
59	3726		GEAR, MITER, 15 TEETH
60	3881		AXLE, R.H.
61	3864-B		HOUSING LOWER
62	3920		PUCK, FRICTION
63	3276		DISC, BRAKE
64	3758		SPACER
65	3916		JAW, BRAKE
66	3843		PIN, DOWEL
67	5120		SCREW, SELF-TAPPING
68	3768		LEVER, ACTUATING
69	3760		WASHER, PLAIN .321 X 1.00 X .055
70	3917		BRACKET, ANTI-ROTATION
71	3847		LOCKNUT 5/16-24
72	4300		GREASE



## WHEELS & TIRES 18 HP 42" RIDING LAWN TRACTOR - - MODEL NUMBER 951890



**NOTE:** All component dimensions given in U.S. inches  
1 inch = 25.4 mm.





Ref #	Part Number	Qty	Description
1	59192		VALVE CAP
2	65139		VALVE STEM LT
3	278H		FITTING LT
4	134971		TIRE TM 15X6X6
4	134970		TIRE TM 20X8X8
5	59904		TUBE.5.3/4.5/6
5	7152J		TUBE.18X9.5-8
6	106732X361		SUB= 106732X417
6	106108X361		SUB= 106108X417
7	104757X		HUB CAP
8	9040H		"FLANGE, BEARING"

