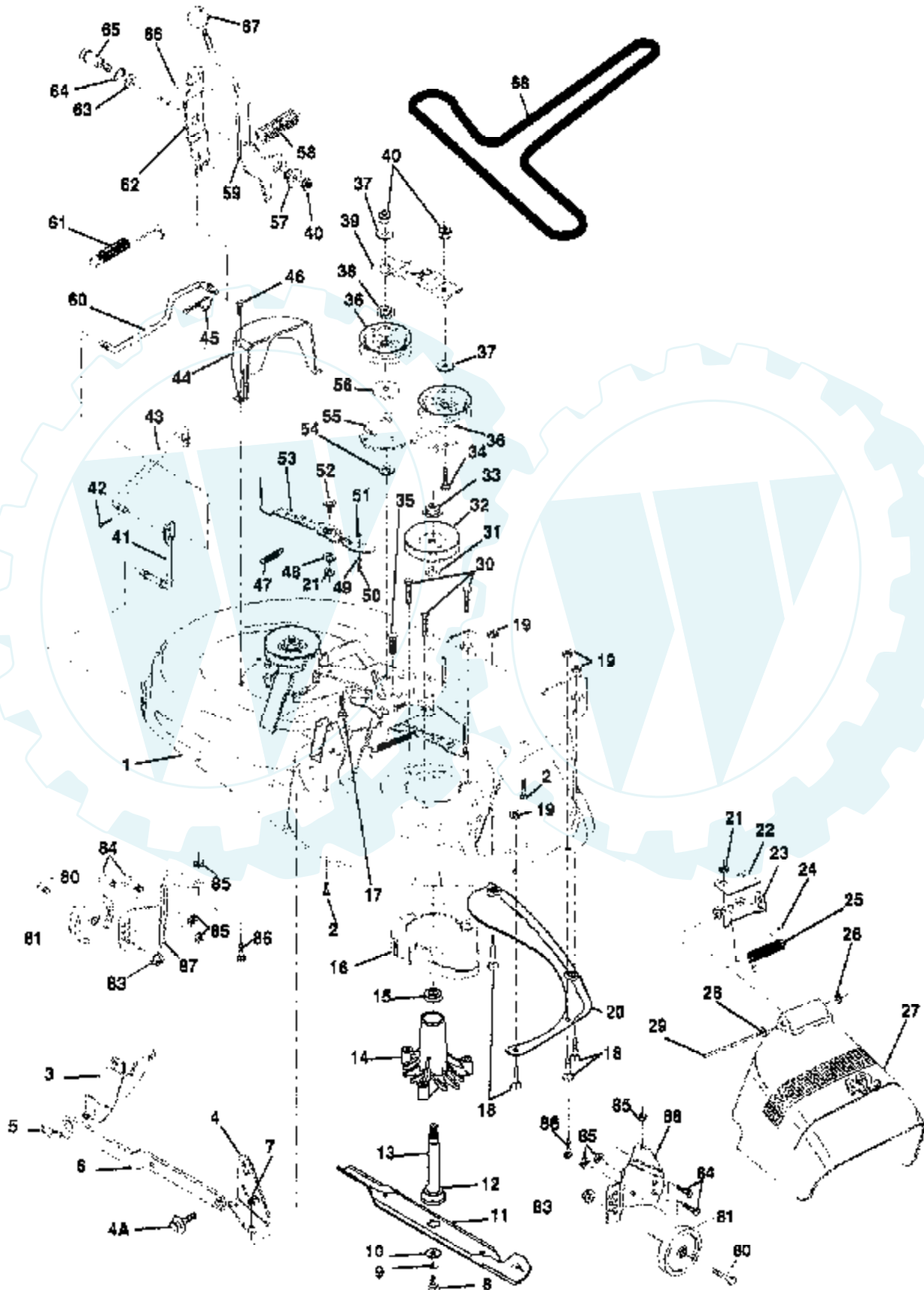


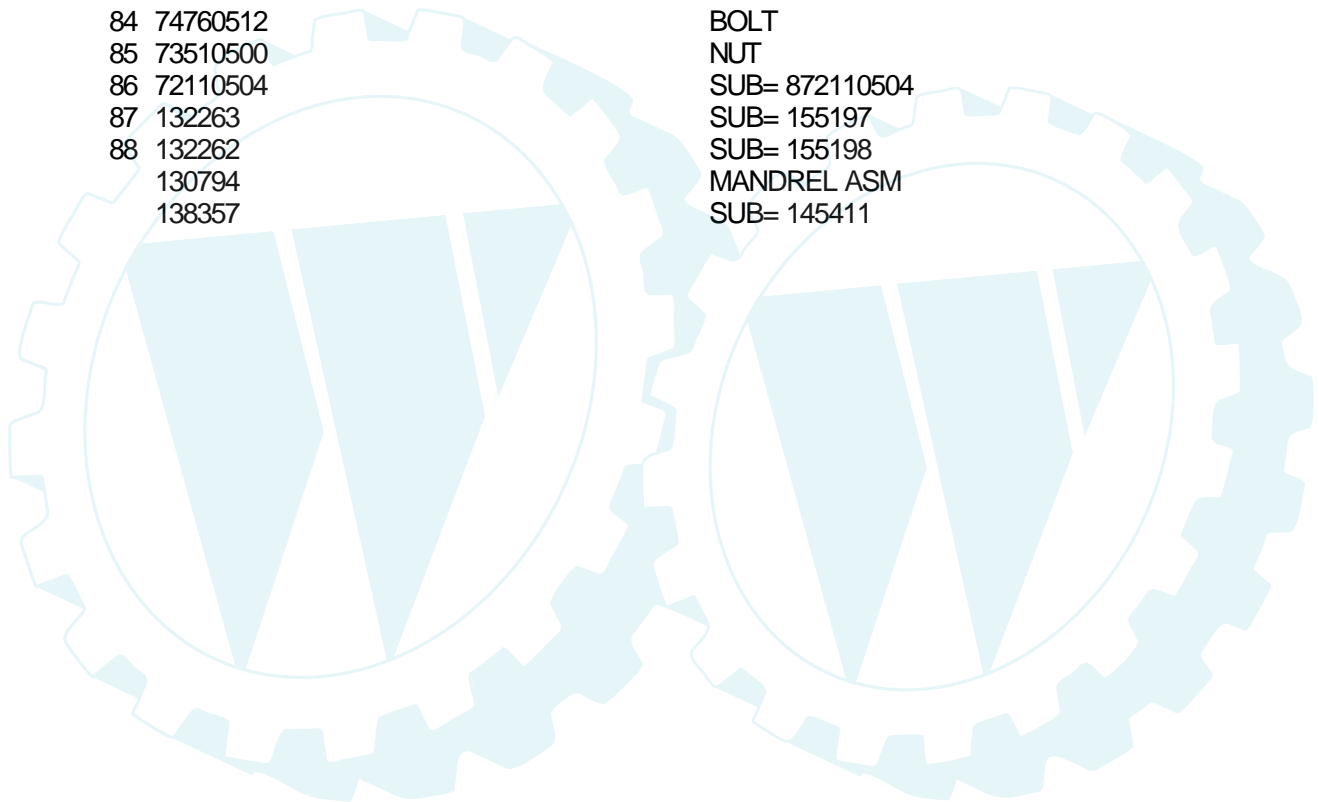
### 18 HP 42" TRACTOR -- MODEL NUMBER 951891

#### 42" MOWER DECK



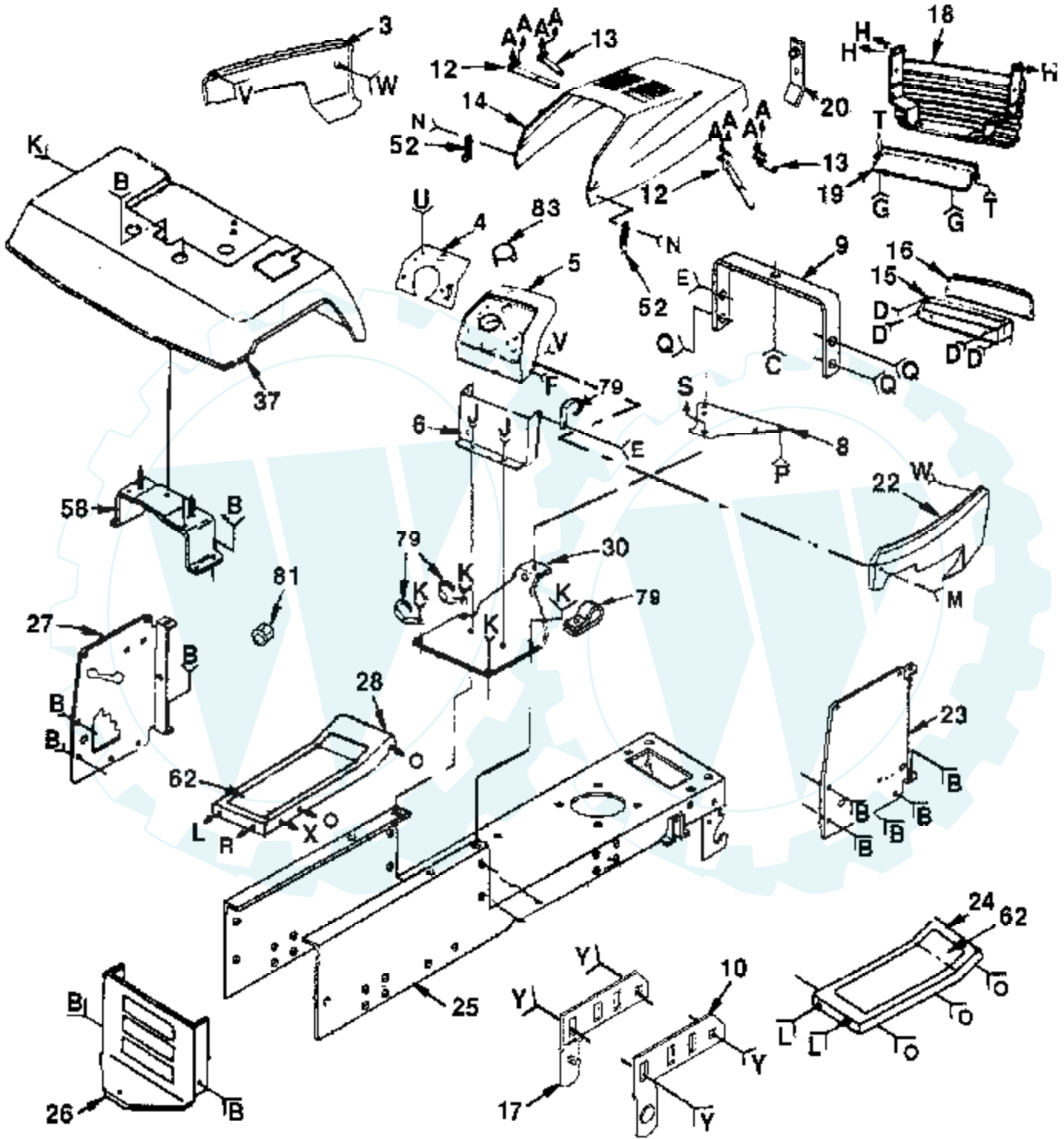
Ref #	Part Number	Qty	Description
1	138024		SUB= 145338
2	72140506		BOLT
3	138017		BRKT ASM SWAY BAR
4	138440		BRKT DECK SW BAR
4A	132827		BOLT SHD 5/16-18
5	4939M		SUB= 85902
6	130832		SUB= 130833
7	73800500		NUT
8	850857		BLADE BOLT
9	10030600		SUB= 10040600
10	129962		WASHER BLADE
11	138498		"BLADE.42"" HIPERF"
12	129895		BEARING.BALL
13	137645		SUB= 137646
14	128774		HSG ASM MANDREL
15	110485X		BEARING
16	136929		SUB= 140329
17	72110618		BOLT CARRIAGE
18	72140505		BOLT
19	73800500		NUT
20	136888		SUB= 918136888
21	73680500		SUB= 73690500
22	134753		STIFFENER BRKT
23	131267		DEFLECTOR BRKT
24	105304X		CAP-SLEEVE LT
25	123713X		SPRING TORSION
26	110452X		NUT PUSH M
27	130968		DEFLECTOR.SHIELD
28	19111016		WASHER
29	131491		HINGE ROD
30	78158		SUB= 17580520
31	129963		WASHER
32	129861		SUB= 153535
33	137266		SUB= 139729
34	72110614		BOLT
35	133835		XMAS TREE FASTNER
36	131494		FLAT IDLER PULLEY
37	19131612		WASHER GT
38	133502		RETAINER SPACER
39	133503		IDLER ARM STIFF
40	73680600		SUB= 73690600
41	133551		PIVOT ROD
42	76020312		SUB= 3145
43	133504		CLUTCH ROD SECOND
44	134236		SUB= 140088
45	4497H		RETAINER M
46	17720410		SCREW LT
47	131335		SPRING EXTENSION
48	133944		HARD SMALL WASHER
49	133940		SUB= 151785
50	131340		SHOULDER BOLT
51	69180		LOCKNUT
52	105529X		SUB= 139888
53	131845		BRAKE PAD ARM ASM
54	133943		HARDENED WASHER
55	133844		IDLER ARM
56	122052X		SPACER RETAINER
57	127498		BUSHING

Ref #	Part Number	Qty	Description
58	128759		SUB= 918128759
59	138003		LEVER.ASM.CLUTCH
60	134666		"ROD, CLUTCH PRIM"
61	131870		RETURN SPRING
62	127847		CLUTCH ARM SECOND
63	121748X		WASHER
64	12000029		RING
65	128903		SHOULDER BOLT
66	127845		SPRING KEEPER
67	132044		SUB= 532132044
68	130969		BELT-V.92.4.MWR
80	4898H		BOLT M
81	105455X		WHEEL.GAGE.BLK.PL
83	73800600		NUT
84	74760512		BOLT
85	73510500		NUT
86	72110504		SUB= 872110504
87	132263		SUB= 155197
88	132262		SUB= 155198
	130794		MANDREL ASM
	138357		SUB= 145411



### 18 HP 42" TRACTOR -- MODEL NUMBER 951891

#### CHASSIS AND ENCLOSURES



- | A  | B  | C  | D  | F  | G  | E  | H  | J  | K  | L  | M  | N  | O  | P  | Q  | R  | S  | T  | U  | V  | W  | X  | Y  |
|----|----|----|----|----|----|----|----|----|----|----|----|----|----|----|----|----|----|----|----|----|----|----|----|
| 7  | 1  | 40 | 45 | 51 | 48 | 41 | 49 | 59 | 53 | 41 | 44 | 63 | 51 | 51 | 41 | 84 | 56 | 60 | 59 | 95 | 31 | 82 | 11 |
| 47 | 40 | 46 | 42 | 42 | 36 | 2  | 50 | 57 | 42 | 43 | 39 | 54 | 55 | 43 | 43 | 43 | 57 | 29 | 34 | 34 | 31 | 40 | 43 |
|    |    |    |    | 43 |    |    |    |    |    |    | 32 |    |    | 43 |    |    |    |    |    |    |    |    | 64 |
|    |    |    |    |    |    |    |    |    |    |    | 38 |    |    | 43 |    |    |    |    |    |    |    |    |    |
|    |    |    |    |    |    |    |    |    |    |    | 38 |    |    | 43 |    |    |    |    |    |    |    |    |    |

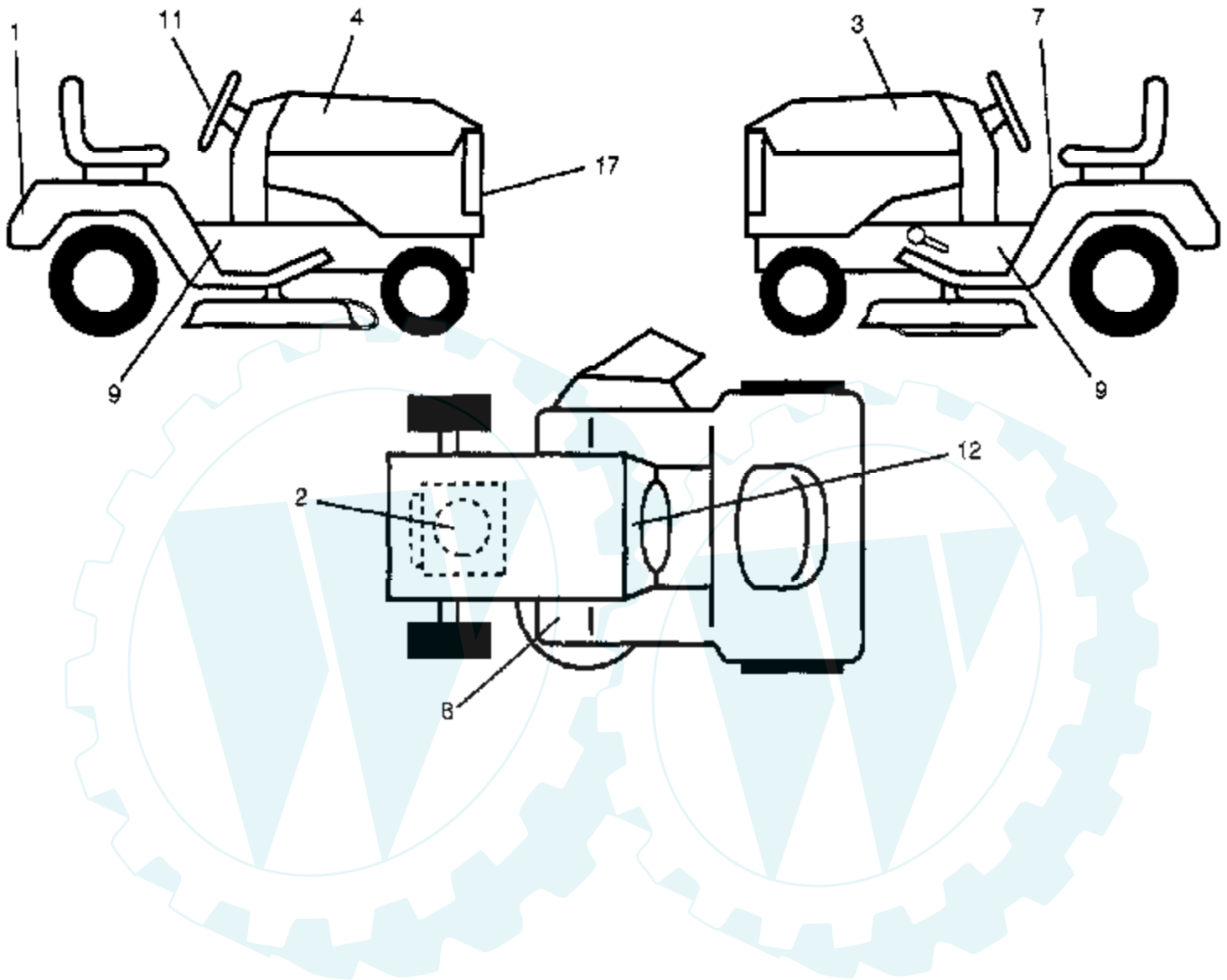
Ref #	Part Number	Qty	Description
1	10040400		LOCKWASHER
2	11050600		LOCKWASHER
3	132637X520		PANEL.SIDE.LH
4	135138X015		PLATE.SLKSCR
5	124252X		SUB= 140398
6	132177		LOWER DASH
7	73510400		NUT
8	137654		SUB= 140181
9	124130X		SUPPORT ASS'Y
10	134775		PIVOT BRKT RH
11	72140608		SUB= 72110608
12	106784X		SUB= 155013
13	104618X		SUB= 155013
14	132635X520		HOOD.LT/YT/GT
15	124392X417		SUB= 147717
16	106395X		LENS LT
17	134774		PIVOT BRKT LH
18	131716		SUB= 532131716
19	105419X520		STRAP.GRILL
20	132644		SUB= 532132644
22	137655X520		PANEL.SIDE.RH
23	132069		SUB= 532132069
24	105464X520		SUB= 145243X520
25	135034		SUB= 145501
26	137275		SUB= 145009
27	132178		DASH PANEL LH
28	105465X520		FOOTREST.LH
29	19091016		WASHER
30	127543X015		SADDLE.LT.GOOSE
31	19091216		WASHER PM
32	19070818		WASHER
34	19111116		WASHER
35	19131210		WASHER
37	126599X520		FENDER
38	73731000		NUT
39	7206J		SPACER LT
40	73220400		SUB= 50675
41	74760612		SUB= 74780612
42	19131312		WASHER
43	73680600		SUB= 73690600
44	74981020		SCREW
45	17211010		SCREW LT
46	104755X		""J"" FASTENER LT"
47	17490612		SCREW
48	17490512		SCREW
49	123481X		SUB= 7605J
50	73680400		SUB= 73690400
51	74760620		SUB= 74780620
52	109808X		HOOD LATCH T
53	17490608		SCREW LT
54	10071000		LOCKWASHER
55	2029J		WELDNUT
56	74780512		BOLT
57	73510500		NUT
58	136619		BRKT FENDER
59	74180512		SCREW
60	17490412		SCREW HEX CRT.
61	72110606		BOLT

Ref #	Part Number	Qty	Description
62	133671		FOOTREST PAD
63	74191008		SCREW
64	73800600		NUT
79	2751R		CLIP T
80	74780408		BOLT
81	110436X		SUB= 9151R
82	72140608		SUB= 72110608
83	134014		PLUG DOME
84	74760614		SUB= 74760616
95	123198X		SUB= 146525



### 18 HP 42" TRACTOR - - MODEL NUMBER 951891

#### DECALS



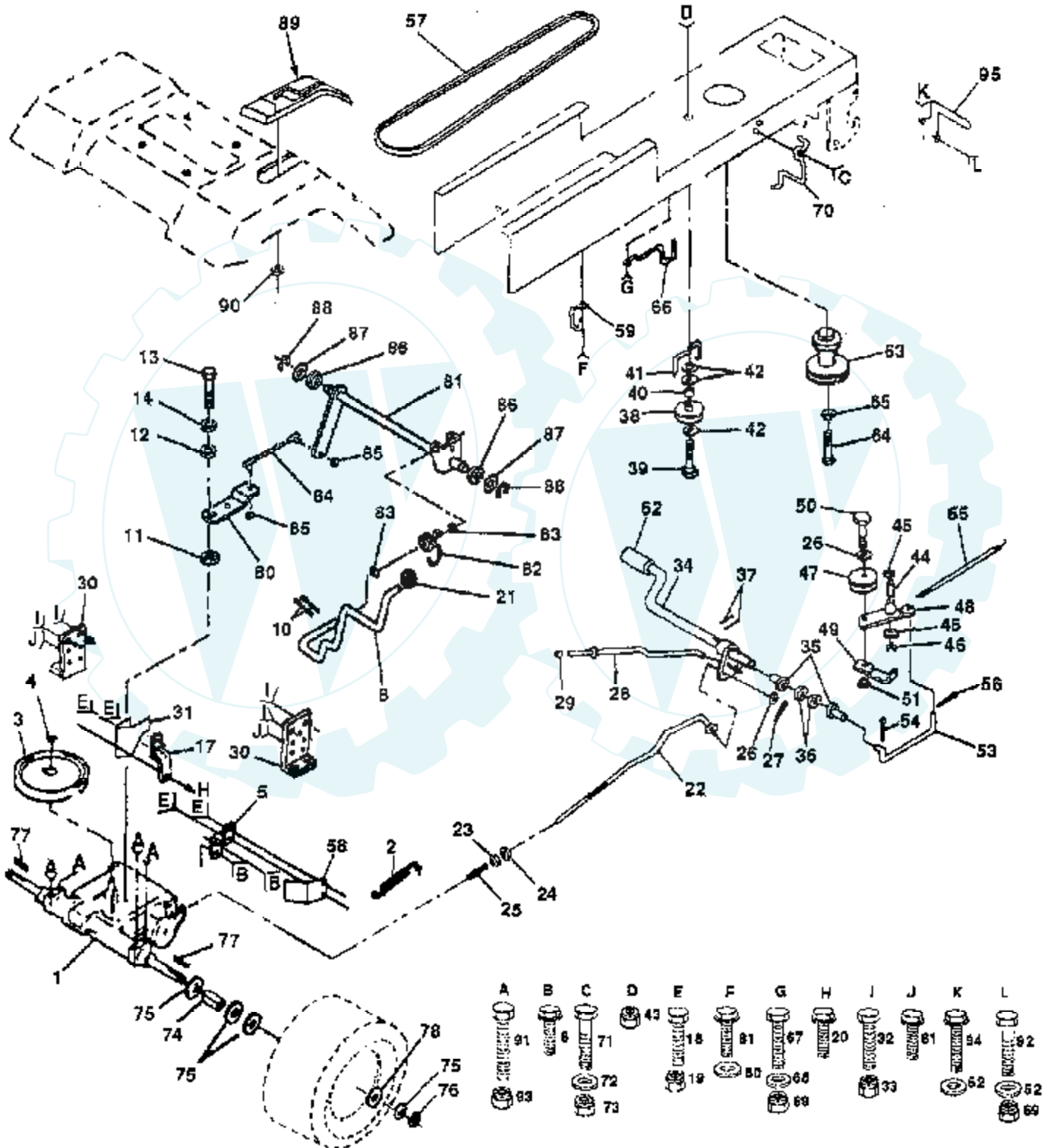
Ref #	Part Number	Qty	Description
1	138984		DECAL.FENDER
2	135429		DECAL.ENG.272757
3	138986		NLA
4	138985		DECAL.HOOD.RH
7	133796		DECAL
8	4900J		DECAL T
9	139016		DECAL.CHASSIS
11	138990		DECAL.WHL.STRG
12	136794		SUB= 138955
17	135020		NLA
	138311		DECAL HANDLE LIFT
	138667		MANUAL.O.951891.E





# 18 HP 42" TRACTOR - - MODEL NUMBER 951891

## DRIVE

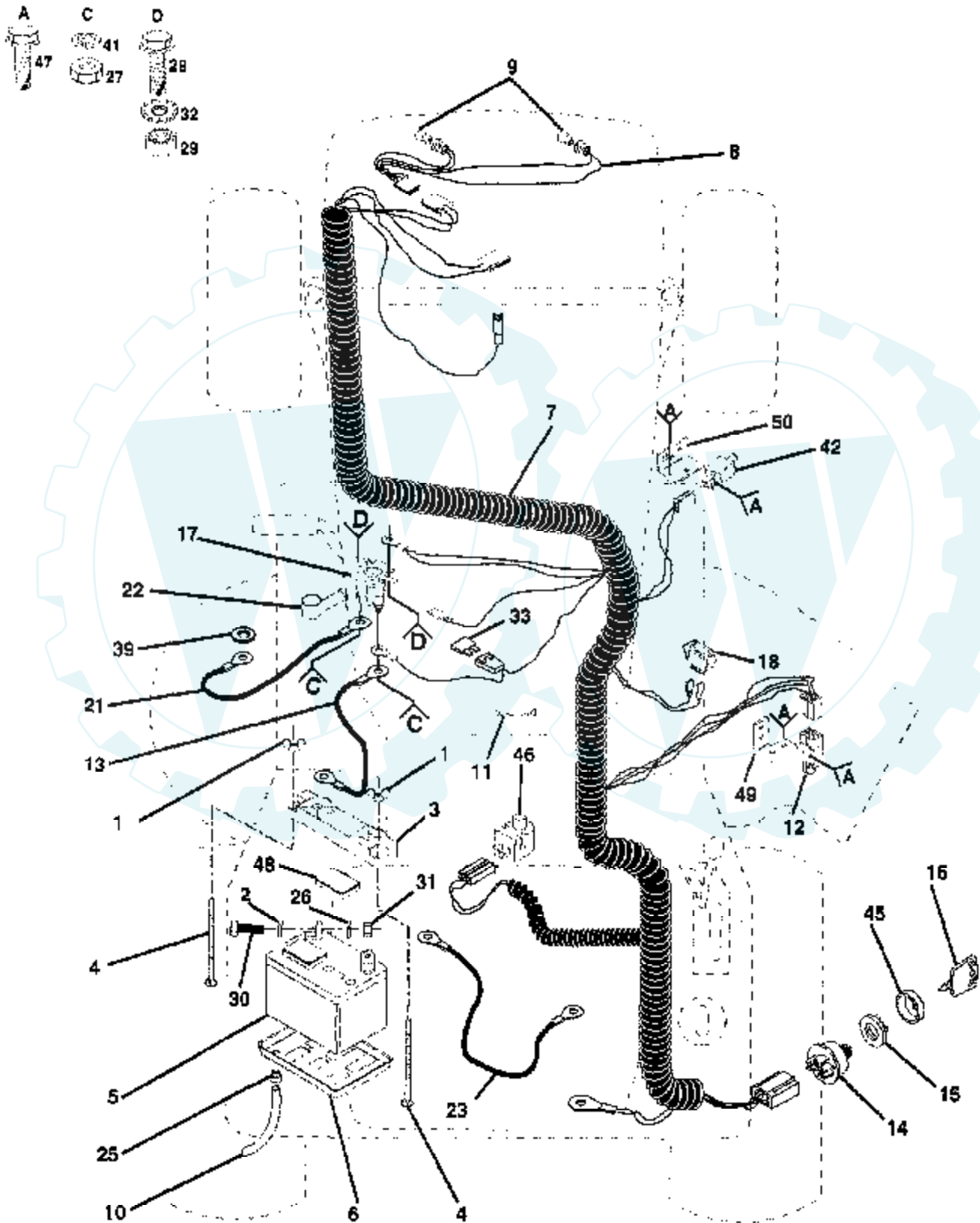


Ref #	Part Number	Qty	Description
1	137369		SUB= 137367
2	110422X		SUB= 146682
3	123667X		"PULLEY,TRANSAXLE"
4	12000028		SUB= 2267J
5	121520X		STRAP TORQUE
6	17490512		SCREW
8	127270		SUB= 141003
10	76020416		PIN COTTER 1/8
11	105701X		WASH-SHFT PLT LT
12	19151216		WASHER
13	71040412		SUB= 74550412
14	10040400		LOCKWASHER
17	121520X		STRAP TORQUE
18	74760612		SUB= 74780612
19	73680600		SUB= 73690600
20	17490512		SCREW
21	106933X		KNOB T (1/2-HOLE)
22	130804		BRAKE ROD
23	73800600		NUT
24	73350600		NUT
25	106888X		SPRING ROD LT
26	19131316		WASHER
27	76020412		COTTER PIN
28	133261		BRAKE PARK ROD
29	71673		PLUNGER CAP T
30	130807		TRANSAXLE MTG BKT
31	127289		"KEEPER,BELT LH"
32	74760512		BOLT
33	73680500		SUB= 73690500
34	122424X		SUB= 149001
35	120183X		NYLON BEARING
36	19211616		WASHER LT
37	1572H		SUB= 2882J
38	123674X		PULLEY.IDLER.FLAT
39	74760644		BOLT
40	4470J		SPACER T
41	109070X		BELT KEEPER LT
42	19131312		WASHER
43	73680600		SUB= 73690600
44	105706X		"LY, BEARING"
45	110812X		WASHER LT
46	12000039		KLIP RING
47	127783		SUB= 139245
48	123789X		ARM IDLER
49	123205X		RETAIN BELT
50	74760624		SUB= 74930624
51	73680600		SUB= 73690600
52	19131616		WASHER HYT
53	105710X		"LINK, CLUTCH T"
54	76020412		COTTER PIN
55	105709X		"SPRING, RETURN LT"
56	76020412		COTTER PIN
57	131006		BELT-V
58	127290		"KEEPER,BELT RH"
59	136715		SUB= 140312
60	19131312		WASHER
61	17490612		SCREW
62	8883R		PEDAL COVER T

Ref #	Part Number	Qty	Description
63	134825		SUB= 136004
64	71170764		BOLT
65	10040700		LOCKWASHER
66	129921		KEEPER.BELT.ENG.L
67	74760616		BOLT
68	19131312		WASHER
69	73680600		SUB= 73690600
70	134683		KEEPER BELT ENG
71	74760616		BOLT
72	19132012		WASHER
73	73680600		SUB= 73690600
74	109502X		SPACER LT
75	121749X		WASHER
76	12000001		E-RING LT
77	123583X		SQUARE KEY
78	121748X		WASHER
80	131487		ARM SHIFT TRANS
81	136933		SHAFT ASM.SHIFT
82	123782X		"SPRING,TORSION"
83	19171216		WASHER
84	132183		TIE ROD
85	73530400		NUT 1/4-28
86	71208		BUSHING
87	19212016		WASHER D
88	12000008		KLIP RING
89	131636		SUB= 127271
90	124346X		NUT
91	74760540		BOLT
92	72110608		BOLT D
93	73680500		SUB= 73690500
94	17490616		SCREW GTV
95	135029		MUFFLER GUARD

### 18 HP 42" TRACTOR -- MODEL NUMBER 951891

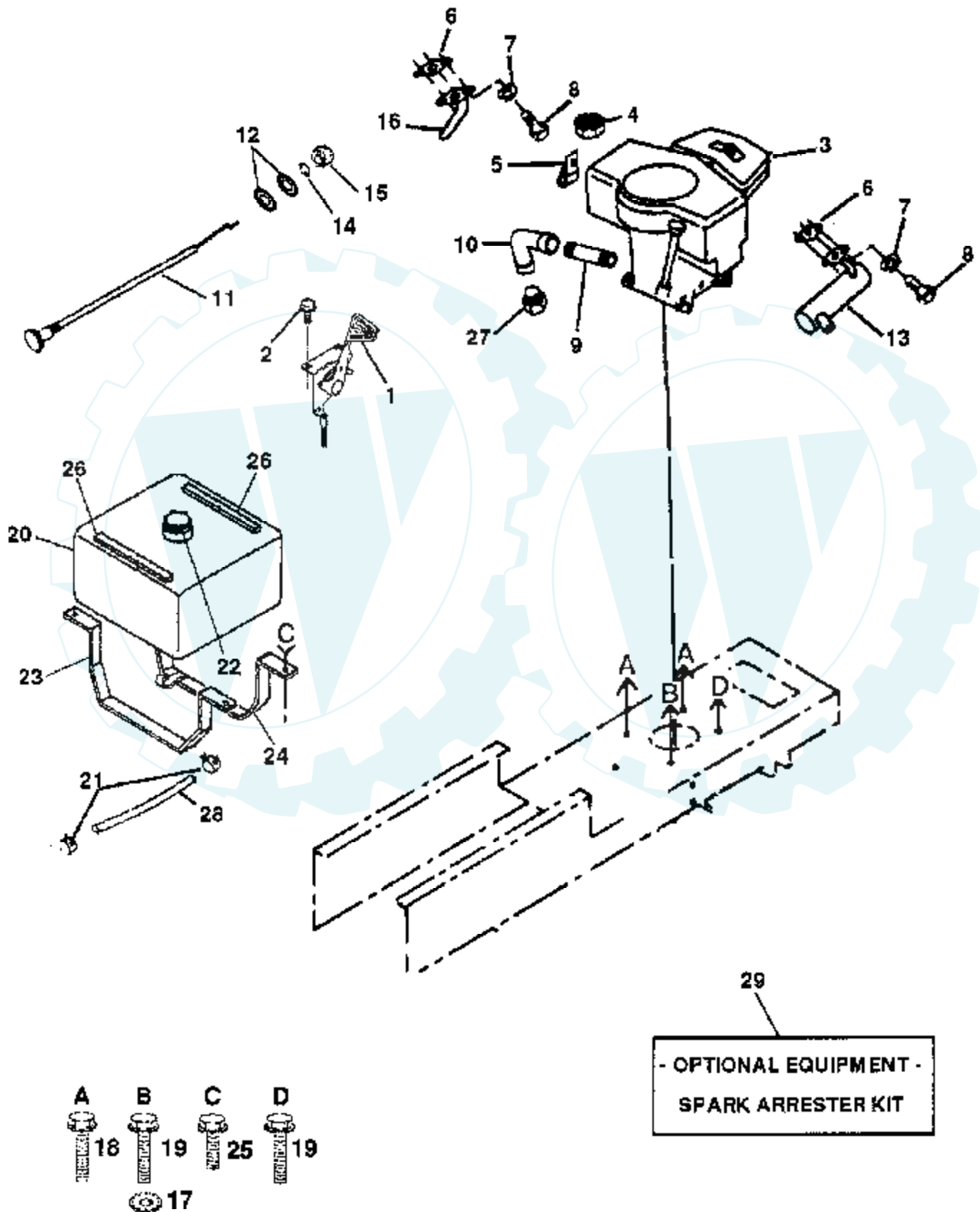
#### ELECTRICAL



Ref #	Part Number	Qty	Description
1	123198X		SUB= 146525
2	19091016		WASHER
3	102476X		SUB= 150109
4	72240460		BOLT
5	121265X		SUB= 123899X
6	7603J		"TRAY T, BATTERY"
7	138705		HARNESS.IGN.B&S
8	136850		"HARNESS,LIGHT SOC"
9	4152J		HEADLAMP BULB
10	7697J		"DRAIN TU T, BATT"
11	7192J		WIRE TIE
12	109553X		SWITCH INTERLOCKT
13	108423X		CABLE ASM.
14	4406R		SUB= STD365402
15	124211X		NUT IGNITION
16	122147X		KEY
17	138406		SUB= 146154
18	110712X		SWITCH LT
21	4799J		"CABLE T, BATTERY"
22	131563		SUB= 154336
23	4207J		CABLE T
25	109596X		HOSE CLAMP T
26	10040400		LOCKWASHER
27	73350400		NUT
28	74780408		BOLT
29	73510400		NUT
30	74760412		BOLT LT
31	73220400		SUB= 50675
32	11050400		LOCKWASHER
33	108824X		FUSE HYT
39	11150400		LOCKWASHER
41	10090400		SUB= 10040400
42	104445X		SWITCH-INTER. GT
45	123620X		SUB= 141226
46	121305X		SWITCH SEAT
47	17021008		SCREW
48	121264X		"CAP,BATTERY "
49	108236X		BRACKET LT
50	130890		SWITCH BRACKET

### 18 HP 42" TRACTOR - - MODEL NUMBER 951891

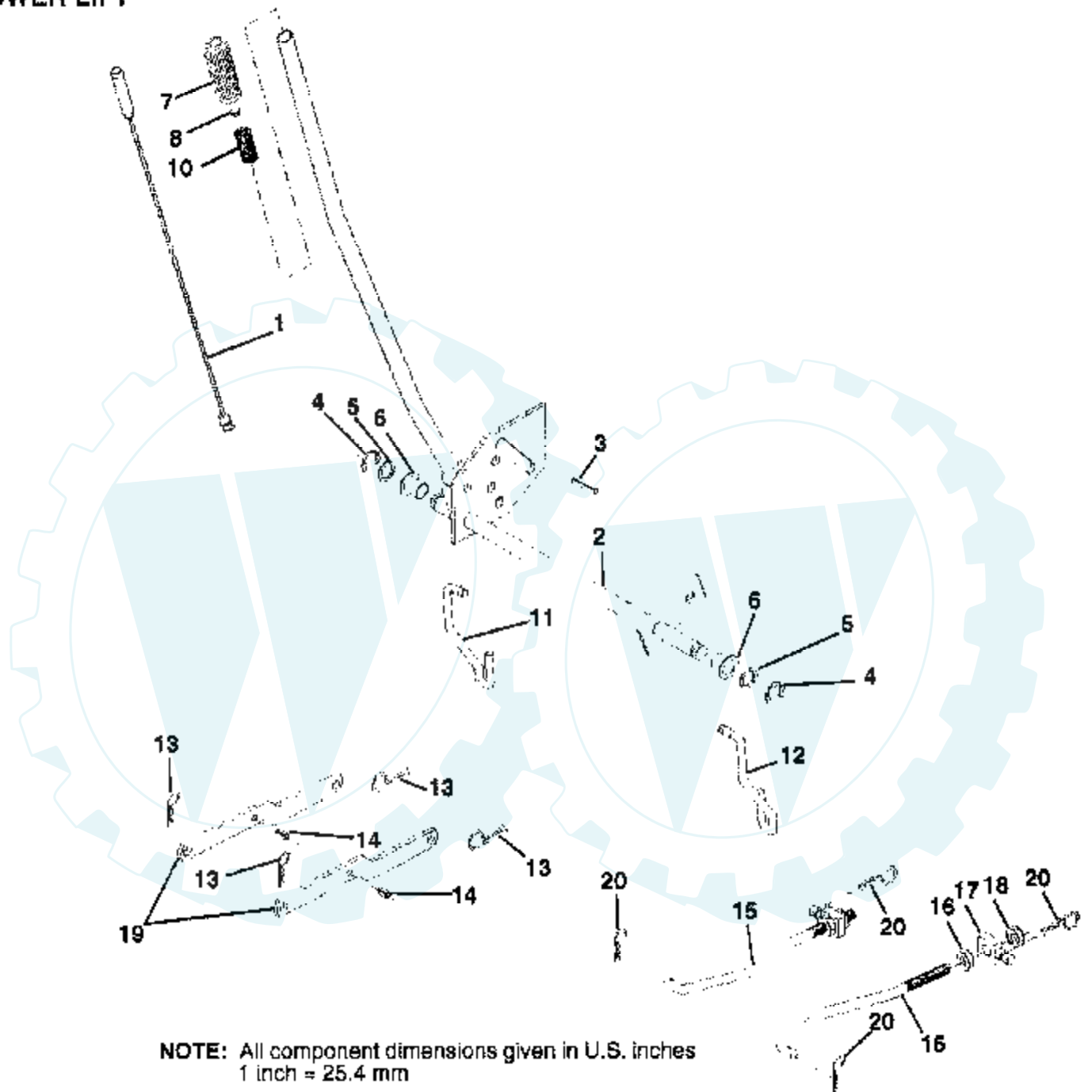
#### ENGINE



Ref #	Part Number	Qty	Description
1	132747		SUB= 532132748
2	17720410		SCREW LT
3	137518		ENGINE
4	73510600		NUT
5	2751R		CLIP T
6	8545J		SUB= 272250
7	10040400		LOCKWASHER
8	74780412		SUB= 74780414
9	13280336		PIPE NIPPLE LT
10	13200300		ELBOW
11	132781		CHOKE CONTROL
12	19131316		WASHER
13	108373X		MUFFLER HYT
14	11050600		LOCKWASHER
15	73610600		SUB= 7810H
16	100229L		EXHAUST TUBE T
17	11050600		LOCKWASHER
18	17490624		SCREW LT
19	17490628		SCREW LT
20	127813		SUB= 141291
21	123487X		HOSE CLAMP
22	123549X		SUB= 158990
23	123803X		"STRAP,TANK"
24	136360		STRAP ASM. F.TANK
25	17490608		SCREW LT
26	126564X		"STRIP,FORM"
27			CHECK WITH SUPPLIER
28	5277J		SUB= 8543R
29	132922		SPARK ARREST KIT

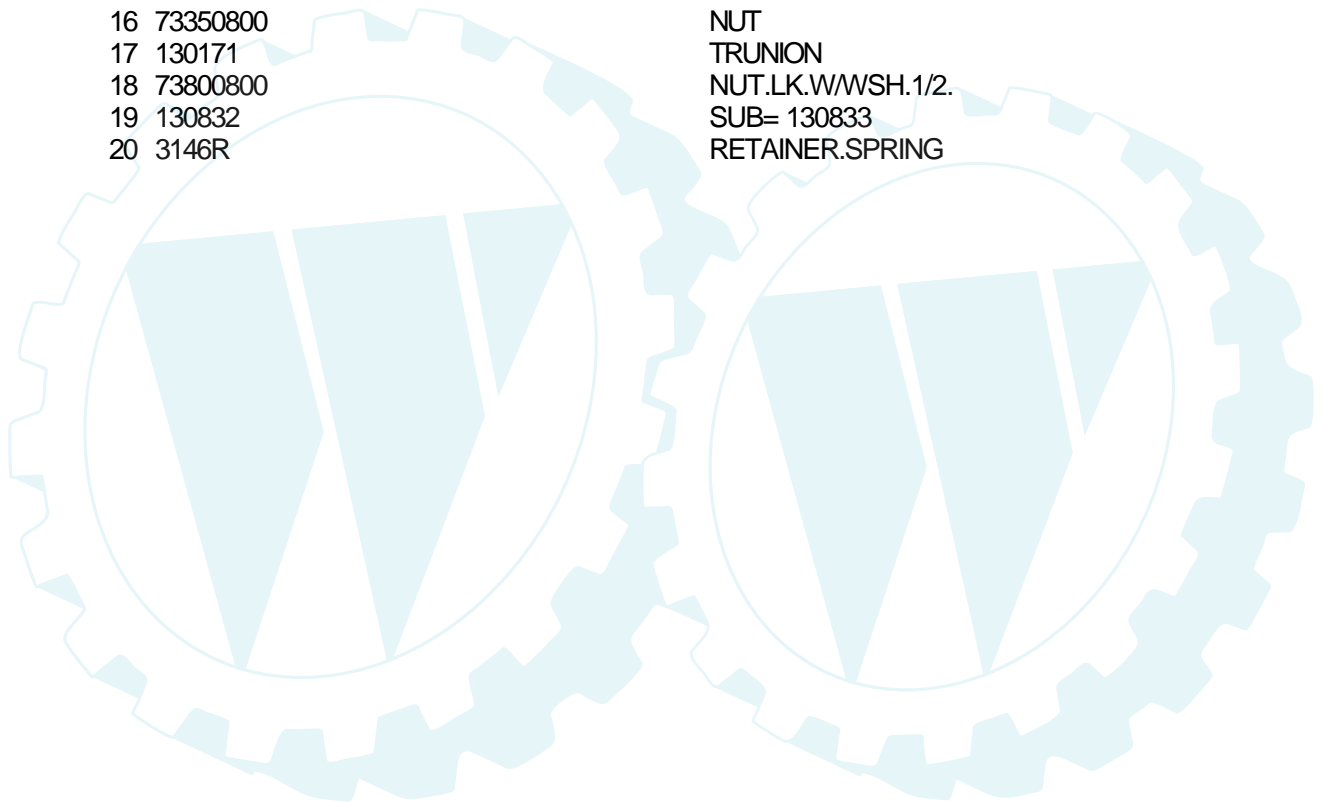
### 18 HP 42" TRACTOR - - MODEL NUMBER 951891

#### MOWER LIFT





Ref #	Part Number	Qty	Description
1	136973		WIRE ASM
2	137111		SHAFT.ASM.LIFT LH
3	105767X		PIN-GROOVE LT
4	12000002		SUB= 2225J
5	19211621		WASHER
6	120183X		NYLON BEARING
7	109413X		GRIP
8	124526X		SUB= 125925X
10	122512X		SUB= 532122512
11	134619		LINK LIFT LH
12	135388		LIFT LINK RH
13	4939M		SUB= 85902
14	135563		"PIN,SPRING"
15	127218		LINK.FRONT
16	73350800		NUT
17	130171		TRUNION
18	73800800		NUT.LK.W/WSH.1/2.
19	130832		SUB= 130833
20	3146R		RETAINER.SPRING

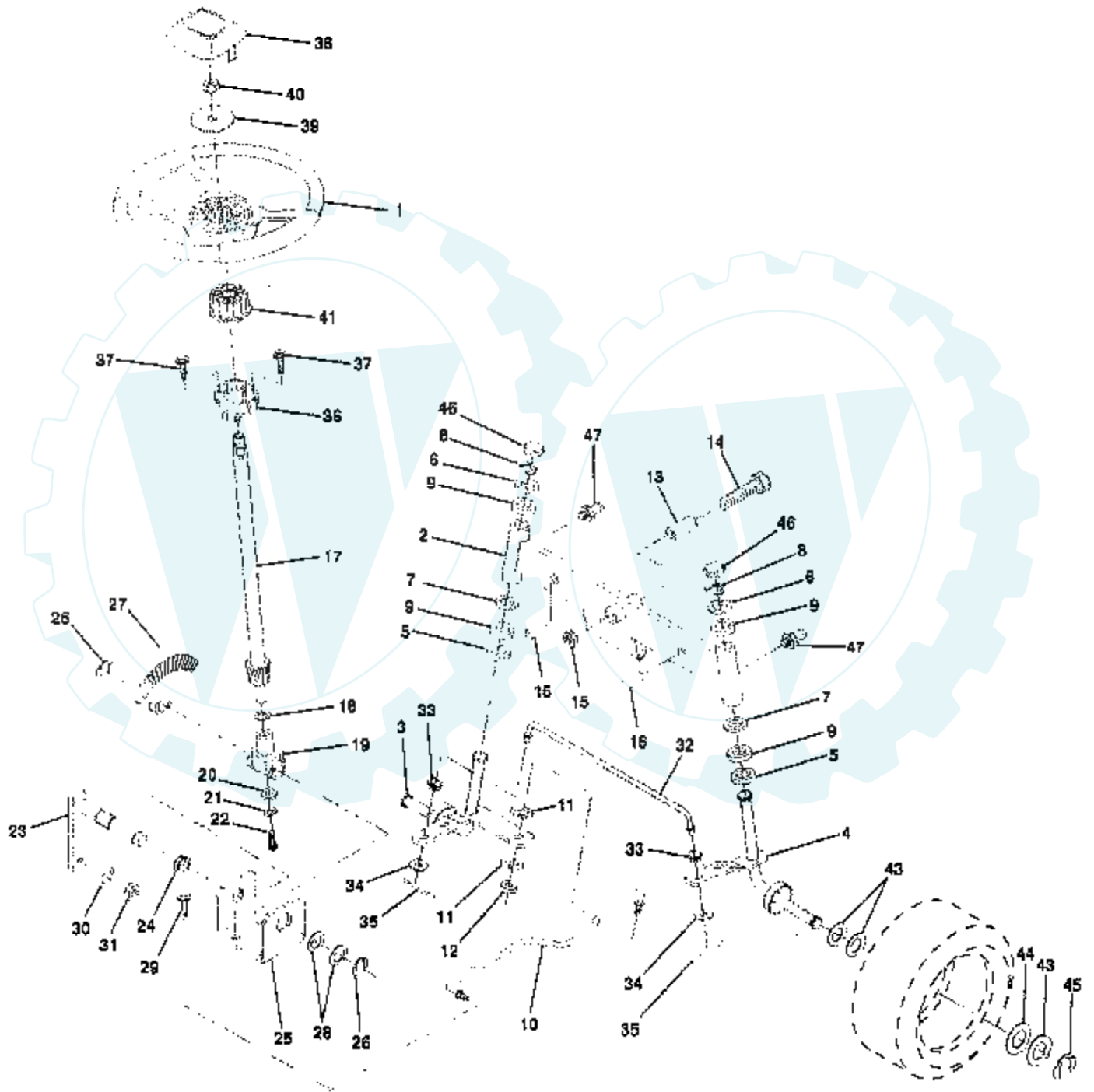




Ref #	Part Number	Qty	Description
1	127428		SUB= 140119
2	126656X		SUB= 140551
3	74760640		BOLT
4	19131210		WASHER
5	2751R		CLIP T
6	73680600		SUB= 73690600
7	124181X		SPRING COMPRESSIO
8	17490640		SCREW
9	19131614		WASHER
10	131451		SUB= 155925
11	121251X		STRIP FORM
12	121246X		BRKT SWITCH
13	121248X		BUSHING
14	72050411		SUB= 872050411
15	134300		SPLIT SPACER
16	121250X		SPRING
17	123976X		SUB= 73900400
18	74641008		SUB= 71031008
19	73951000		"NUT,KEPS"
20	4171R		CLIP T
21	105529X		SUB= 139888
22	73680500		SUB= 73690500
23	74780814		BOLT
24	19171912		WASHER
25	127018X		"BOLT,SHOULDER"
26	10040800		LOCKWASHER
27	131772		SEAT SPACER
28	131771		SPLIT SPACER

# 18 HP 42" TRACTOR -- MODEL NUMBER 951891

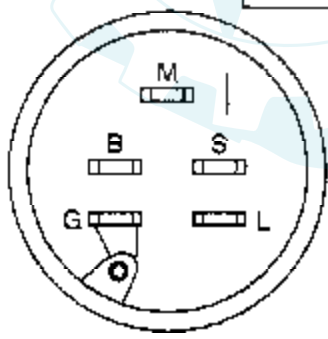
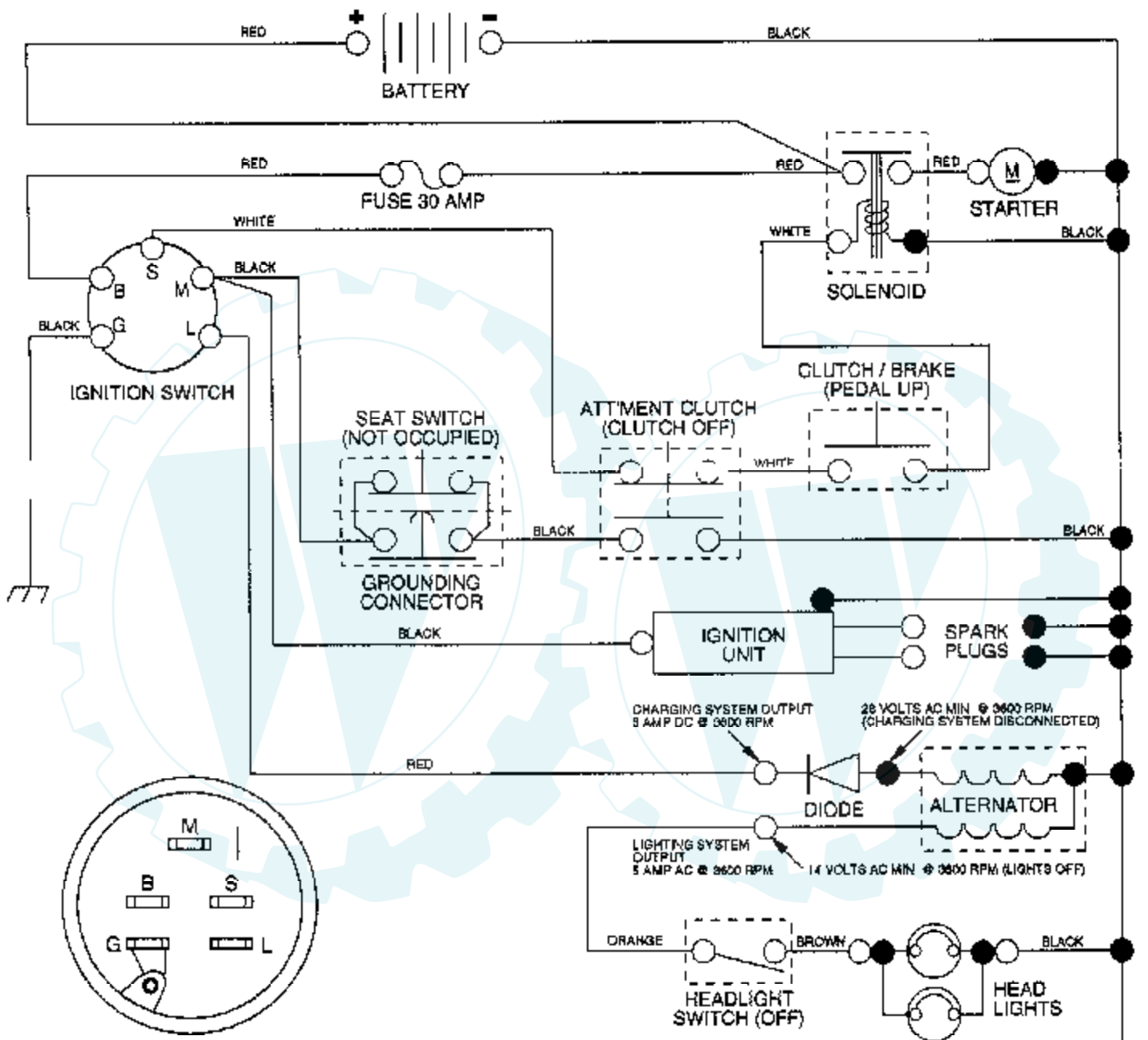
## STEERING ASSEMBLY



Ref #	Part Number	Qty	Description
1	133741		SUB= 150547
2	133988		SUB= 142033
3	135227		SPINDLE LH
4	135228		SPINDLE RH
5	6266H		WASHER .T
6	121748X		WASHER
7	19272016		WASHER
8	12000029		RING
9	3366R		COL. SRTG. BEAR.
10	130468		SUB= 532130468
11	10040600		LOCKWASHER
12	73610600		SUB= 7810H
13	110438X		BEARING
14	74011056		BOLT HEX 5/8-11
15	73901000		"NUT-LOC,FLANGE LT"
16	132624		AXLE PIN
17	128758		STEERING SHAFT
18	57079		THRUST WASHER
19	124035X		SUPPORT.SHAFT
20	126684X		SUB= 532126684
21	10040400		LOCKWASHER
22	71070410		"SCREW,SPECIAL"
23	127501		SUB= 918127501
24	109816X		NYLINER T
25	124036X		"BRKT,STEERING"
26	12000029		RING
27	136874		GEAR SECTOR
28	6266H		WASHER .T
29	17490612		SCREW
30	10040600		LOCKWASHER
31	73610600		SUB= 7810H
32	130465		TIE ROD
33	126847X		BUSHING.DRAGLINK
34	19131416		WASHER
35	76020412		COTTER PIN
36	1554J		SUB= 155108
37	17431008		SUB= 98000165
38	133742		ST WHL INSERT CAP
39	100712K		WASHER
40	73940800		SUB= 73360800
41	100711L		ADAPTER LT
43	121749X		WASHER
44	121748X		WASHER
45	12000029		RING
46	121232X		CAP
47	6855M		ZERK M

## 18 HP 42" TRACTOR - - MODEL NUMBER 951891

### SCHEMATIC



IGNITION SWITCH

POSITION	CIRCUIT
OFF	M + G
ON	B + L
START	B + S

#### WIRING INSULATED CLIPS

NOTE: IF WIRING INSULATED CLIPS WERE REMOVED FOR SERVICING OF UNIT, THEY SHOULD BE REPLACED TO PROPERLY SECURE YOUR WIRING

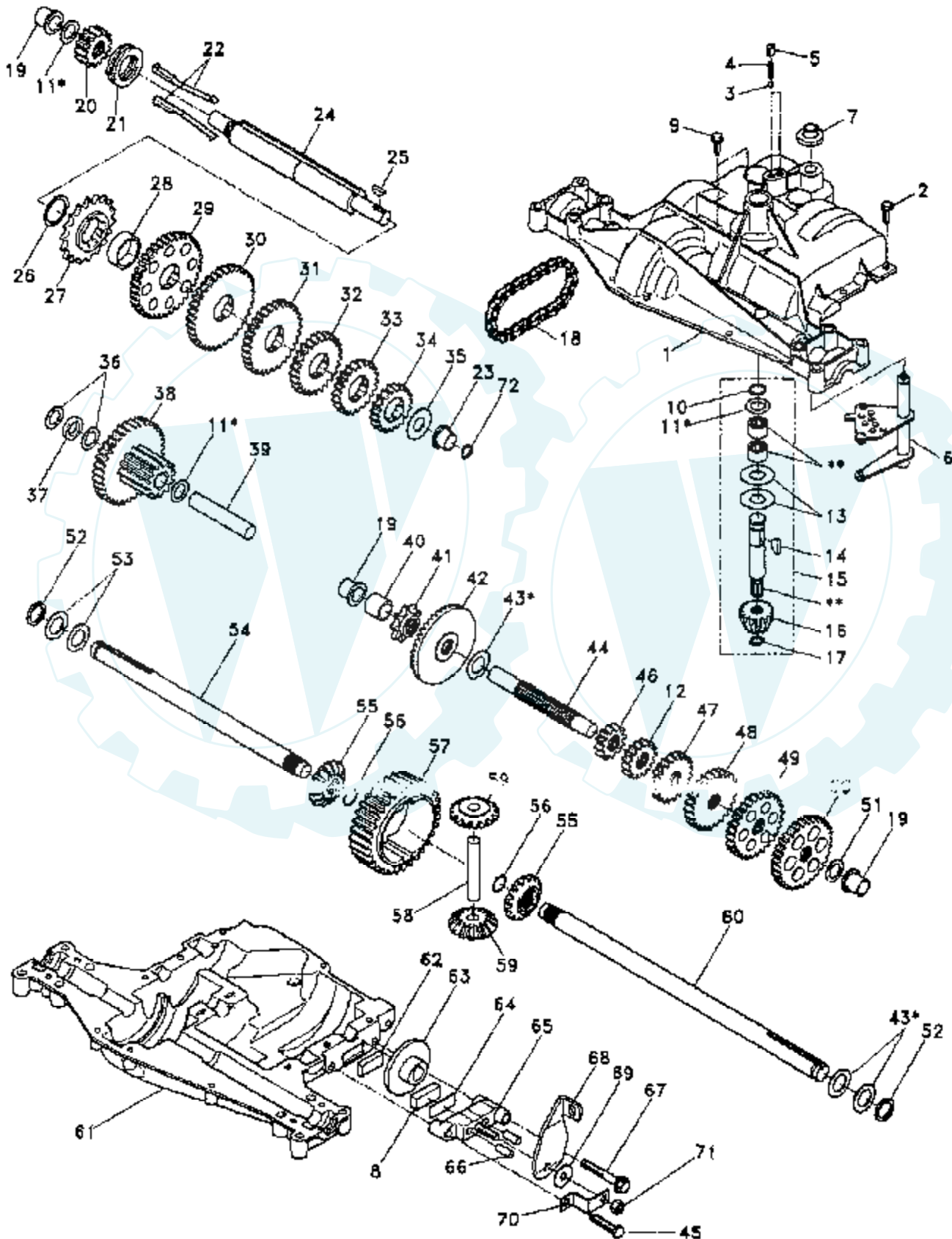
#### NOTE

YOUR TRACTOR IS EQUIPPED WITH A SPECIAL ALTERNATOR SYSTEM. THE LIGHTS ARE NOT CONNECTED TO THE BATTERY, BUT HAVE THEIR OWN ELECTRICAL SOURCE. BECAUSE OF THIS, THE BRIGHTNESS OF THE LIGHTS WILL CHANGE WITH ENGINE SPEED. AT IDLE THE LIGHTS WILL DIM. AS THE ENGINE IS SPEEDED UP, THE LIGHTS WILL BECOME THEIR BRIGHTEST.

● NON-REMOVABLE CONNECTIONS

○ REMOVABLE CONNECTIONS

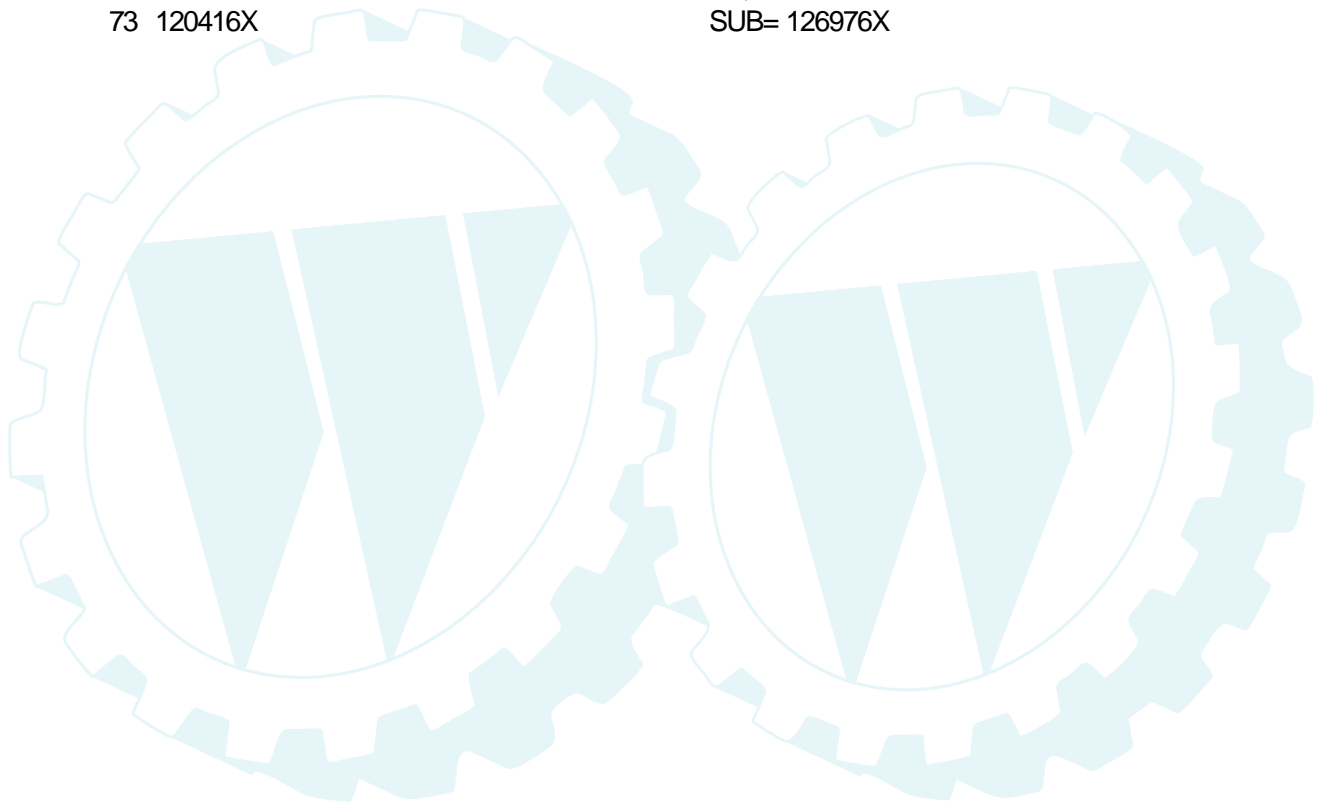
**18 HP 42" TRACTOR - - MODEL NUMBER 951891**  
**DANA TRANSAXLE - MODEL NUMBER 4360-54**



Ref #	Part Number	Qty	Description
1	138248		SUB= 160951
2	2274J		SUB= 74760412
3	134400		SUB= 68003
4	105904X		"SPRING, DETENT LT"
5	105905X		"SCREW, SET LT"
6	134788		SHIFTER.ASM.KIT.
7	134399		SHIFTER BOOT
8	120951X		PUCK T
9	134791		SCREW TAP W/SEAL
10	2267J		RETAINING RING LT
11	134793		ASM KIT SHIM 4689
12	106151X		SUB= 144893
13	120415X		WASHER T
14	2257J		WOODRUFF KEY
15	106846X		SUB= 167148
16	106095X		SUB= 95-8060-6F
17	105909X		"RING,RETAINING LT"
18	105910X		"CHAIN,24 PTCH LT"
19	105911X		BEARING.FLNG.5510
20	138242		GEAR SPUR 14T
21	138246		COLLAR CLUTCH
22	138237		KIT.ASM.CLUTCH KY
23	138240		"FLANGE, BEARING"
24	138243		SHAFT INTERM
25	2244J		WOODRUFF KEY
26	105916X		"RING,RETAINING LT"
27	120470X		SPROCKET 18T T
28	110070X		SPACER YT
29	108977X		KIT.GEAR.12/37TH
30	109254X		SUB= 144893
31	124644X		GEAR SPUR 30T
32	108980X		GEAR 25T LT
33	120406X		GEAR SPUR 22 TT
34	134796		SPUR GEAR 19T
35	105925X		"WASHER, PLAIN LT"
36	2232J		WASHER 025
37	108978X		SPACER
38	110079X		ASSM GEAR COMB
39	124639X		SHAFT IDLER
40	120472X		SPACER T
41	105928X		SPROCKET 9T LT
42	106605X		SUB= 167148
43	134394		ASM KIT SHIM
44	120473X		SHAFT T
45	106596X		"SCREW, TAPPING LT"
46	105933X		SUB= 108977X
47	120407X		SUB= 124641X
48	106589X		"GEAR, SPUR 25T LT"
49	120408X		GEAR 28T T
50	105937X		"GEAR, SPUR 31T LT"
51	2226J		WASHER 060
52	134401		NEOPRENE WASHER
53	2264J		WASHER 031
54	120474X		SUB= 154658
55	120409X		GEAR LT
56	105941X		"RING,RETAINING LT"
57	110071X		SUB= 120478X
58	120952X		SHAFT T

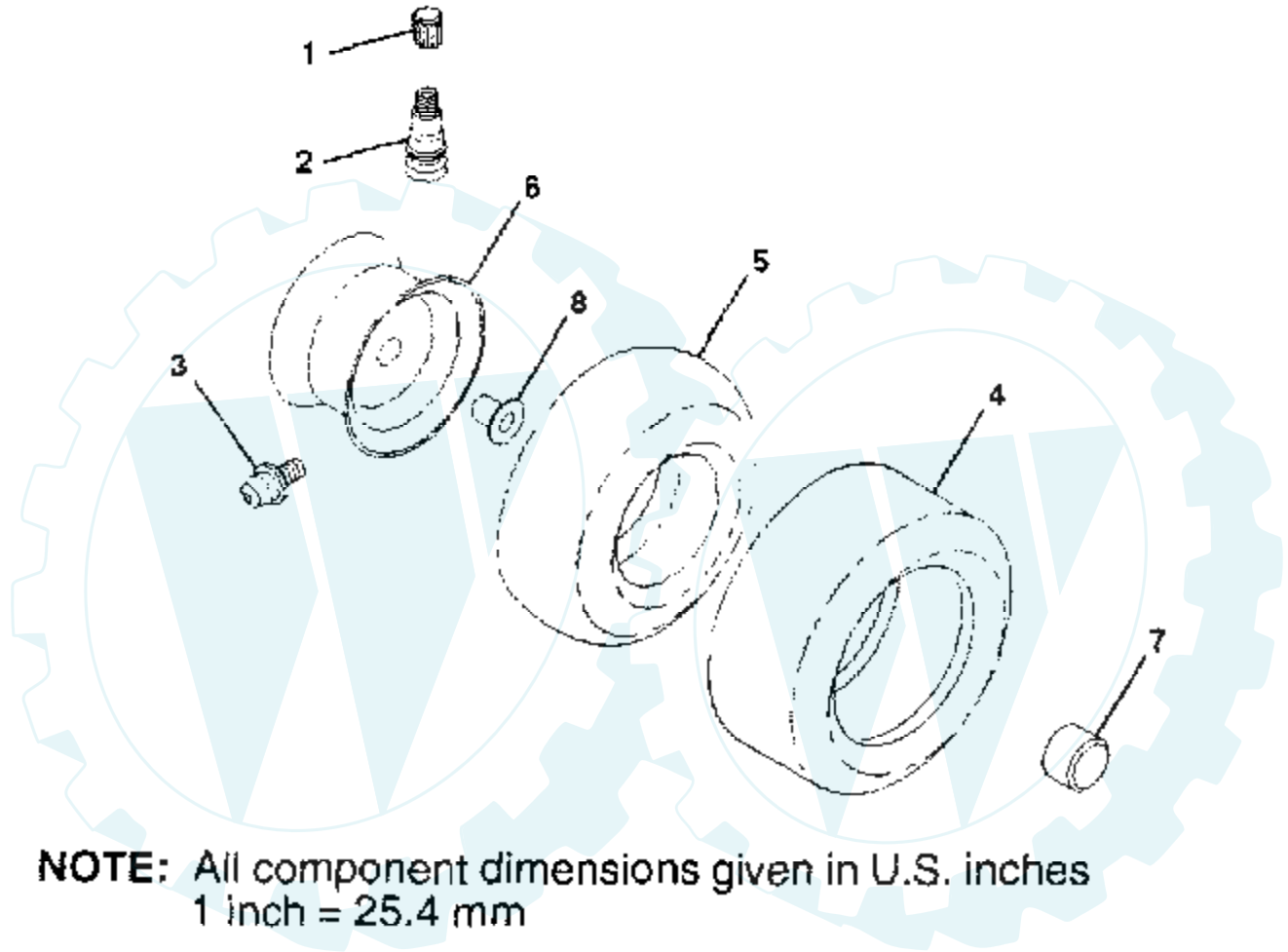


Ref #	Part Number	Qty	Description
59	106592X		"GEAR,MITER 15T YT"
60	120475X		SUB= 154659
61	138247		SUB= 160951
62	120961X		PUCK T
63	7294J		BRAKE DISC. T
64	108989X		SPACER LT
65	120953X		SUB= 918120953X
66	120954X		PIN T
67	134799		TAP SCREW
68	138244		SUB= 108992X
69	108996X		WASHER LT
70	120956X		NLA
71	73810500		NUT.LOCK.5/16-24
72	138241		SQUARE RING
73	120416X		SUB= 126976X



# 18 HP 42" TRACTOR - - MODEL NUMBER 951891

## WHEELS & TIRES



**NOTE:** All component dimensions given in U.S. inches  
1 inch = 25.4 mm

Ref #	Part Number	Qty	Description
1	59192		VALVE CAP
2	65139		VALVE STEM LT
3	278H		FITTING LT
4	106222X		SUB= 122073X
4	138468		TIRE.20X8-8
5	59904		TUBE.5.3/4.5/6
5	7152J		TUBE.18X9.5-8
6	106732X361		SUB= 106732X417
6	106108X361		SUB= 106108X417
7	104757X		HUB CAP
8	9040H		"FLANGE, BEARING"

