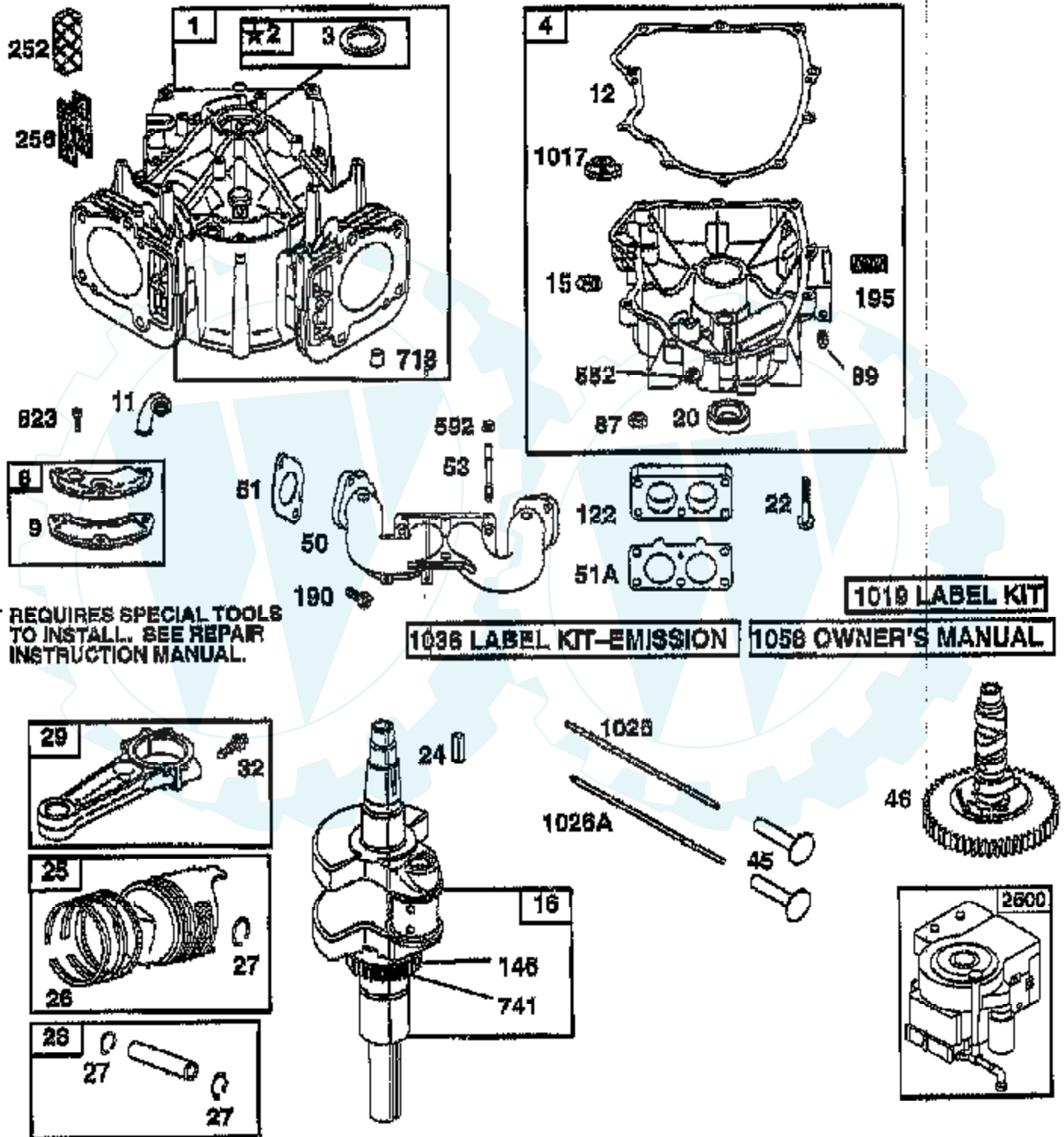


# TRACTOR - - MODEL NUMBER AYP9187A99

## BRIGGS & STRATTON ENGINE - MODEL NUMBER 407777, TYPE NUMBER 0119-E1

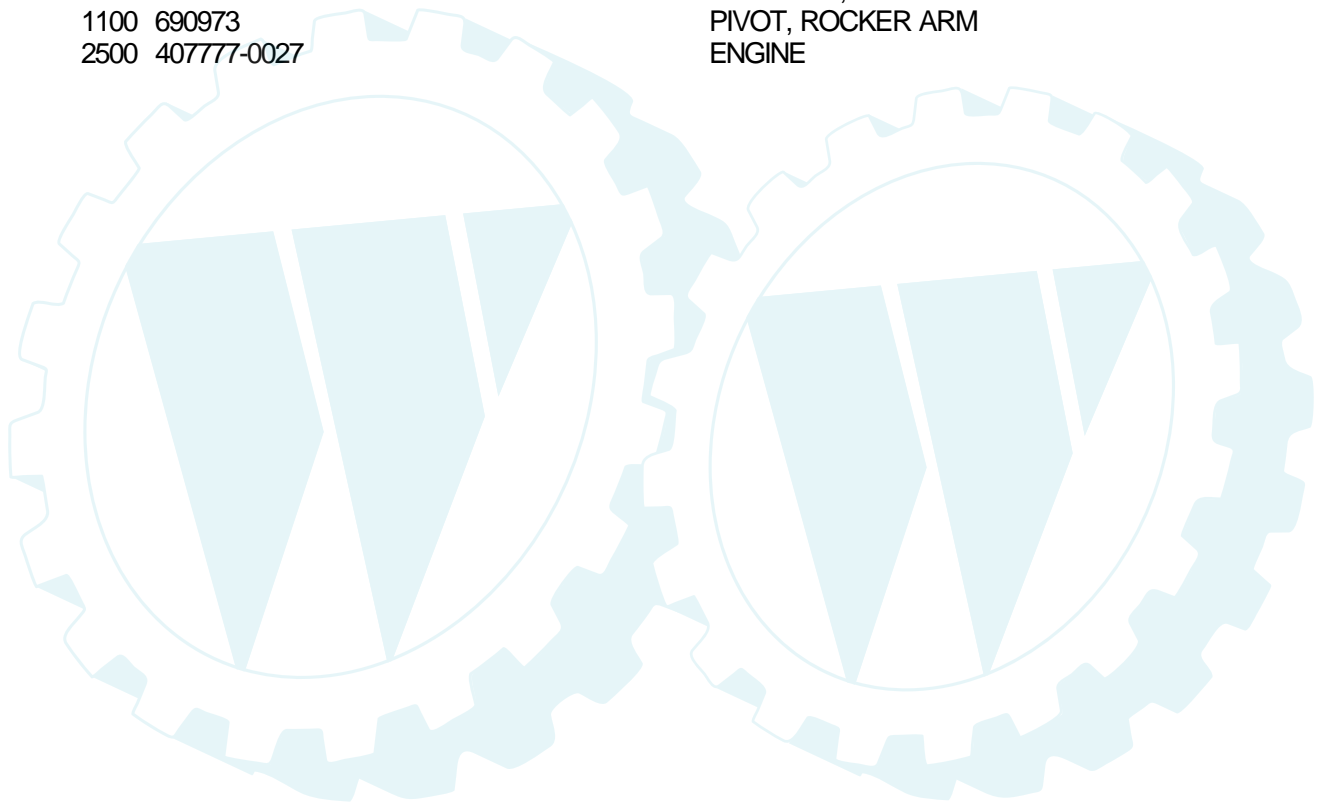


Ref #	Part Number	Qty	Description
1	499584		CYLINDER ASSY
2	499585		BUSHING CYLINDER
3	690926		SEAL OIL
4	690069		SUMP ENGINE
5	499587		HEAD CYLINDER NO. 1
5A	499595		HEAD CYLINDER NO. 2
6	690097		WASHER FLAT
7	690962		GASKET, CYLINDER HEAD
8	499601		BREATHER ASSY
9	690937		GASKET BREATHER
10	691003		SCREW, HEX
11	690942		TUBE, BREATHER
12	690945		GASKET, CRANKCASE
13	690360		SCREW, CYLINDER HEAD (3-9/16")
15	690946		PLUG, OIL DRAIN
16	691046		CRANKSHAFT
20	690947		SEAL OIL
22	690308		SCREW, CRANKCASE COVER
23	691054		FLYWHEEL
24	690974		KEY, FLYWHEEL
25	499588		PISTON ASSY (STD)
25	499589		PISTON ASSY (.010" O.S.)
25	499590		PISTON ASSY (.020" O.S.)
25	499591		PISTON ASSY (.030" O.S.)
26	499604		RING SET, PISTON (STD.)
26	499605		RING SET, PISTON (.010" O.S.)
26	499606		RING SET, PISTON (.020" O.S.)
26	499607		RING SET, PISTON (.030" O.S.)
27	690975		LOCK, PISTON PIN
28	499582		PIN ASSY, PISTON
29	499583		ROD ASSY, CONNECTING
32	690976		SCREW, CONNECTING ROD
33	499596		VALVE, EXHAUST
34	499597		VALVE, INTAKE
35	690963		SPRING, VALVE
40	690964		RETAINER, VALVE
42	499586		KEEPER VALVE
45	690977		TAPPET, VALVE
46	690978		GEAR, CAM
50	690948		MANIFOLD, INTAKE
51	690949		GASKET, CARB. MOUNTING
51A	690950		GASKET, INTAKE MANIFOLD
53	690951		STUD, CARB. MOUNTING
73	691055		SCREEN, ROTATING
75	691056		WASHER, SPRING
78	691057		SCREW, TORX
87	690657		SEAL, GOVERNOR SHAFT
89	690238		PLUG, OIL
95	690718		SCREW, SLOTTED
98	499802		SCREW, IDLE SPEED
102	690234		GASKET, PLATE
104	690984		PIN, FLOAT HINGE
105	690985		VALVE, NEEDLE
108	690986		VALVE, CHOKE
110	691261		WASHER
116	690987		O-RING, SOLENOID RETAINER
116A	690988		O-RING, FUEL TRANSFER TUBE
116B	690589		SEAL, O-RING (OIL PUMP COVER)

Ref #	Part Number	Qty	Description
116C	691031		SEAL, O-RING (DIPSTICK)
116D	691032		SEAL, O-RING (OIL FILTER TUBE)
117	690232		JET, MAIN (STANDARD)
119	690990		SCREW, PHILLIPS
119A	690991		SCREW, PHILLIPS
119B	690992		SCREW, PHILLIPS
119C	690720		SCREW, PHILLIPS
121	499811		CARBURETOR OVERHAUL KIT
122	690952		SPACER, CARBURETOR
125	499804		CARBURETOR
130	690993		VALVE, THROTTLE
131	499802		SCREW, IDLE SPEED
133	499806		FLOAT, CARBURETOR
135	499803		TUBE, FUEL TRANSFER
137	690994		GASKET, FLOAT BOWL
141	499807		SHAFT CHOKE
142	499808		NOZZLE, CARBURETOR
146	94388		TIMING GEAR KEY
150	281767		GASKET, NOZZLE
160	690996		RETAINER, SOLENOID
163	691001		GASKET, AIR CLEANER
176	691033		SCREW, T-30
187	691050		LINE, FUEL
187A	691049		LINE, FUEL
188	691058		SCREW, HEX
190	690953		SCREW, TORX HEX
192	690083		ADJUSTER, ROCKER ARM
195	690954		NIPPLE
209	690018		SPRING, GOVERNOR
211	690019		SPRING, GOVERNED IDLE
212	691020		LINK, THROTTLE
213	691021		BRACKET, CHOKE CONTROL
216	691022		LINK, CHOKE
219	394348		GEAR, GOVERNOR
220	690412		WASHER, THRUST
222	691023		PLATE, GOVERNOR CONTROL
227	691048		LEVER ASSY, GOVERNOR
240	691035		FILTER, FUEL
252	690956		ELEMENT, BREATHER
256	690957		RETAINER, ELEMENT
258	691003		SCREW, HEX
265	691024		CLAMP, CASING
277	691029		NUT, HEX
304	691004		HOUSING, BLOWER
305	691005		SCREW, HEX
309	691262		MOTOR, STARTER
310	691263		SCREW, HEX
311	691264		BRUSH, SET
332	690059		NUT, FLYWHEEL
333	691060		ARMATURE, MAGNETO
334	691061		SCREW, ARMATURE MOUNTING
337	690965		SPARK PLUG
351	691044		SCREW, HEX
355	690997		WASHER, SEAL
358	499889		GASKET SET
363	691062		FLYWHEEL, PULLER
383	690966		WRENCH, SPARK PLUG
387	691034		PUMP, FUEL

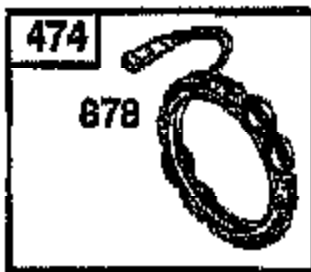
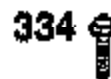
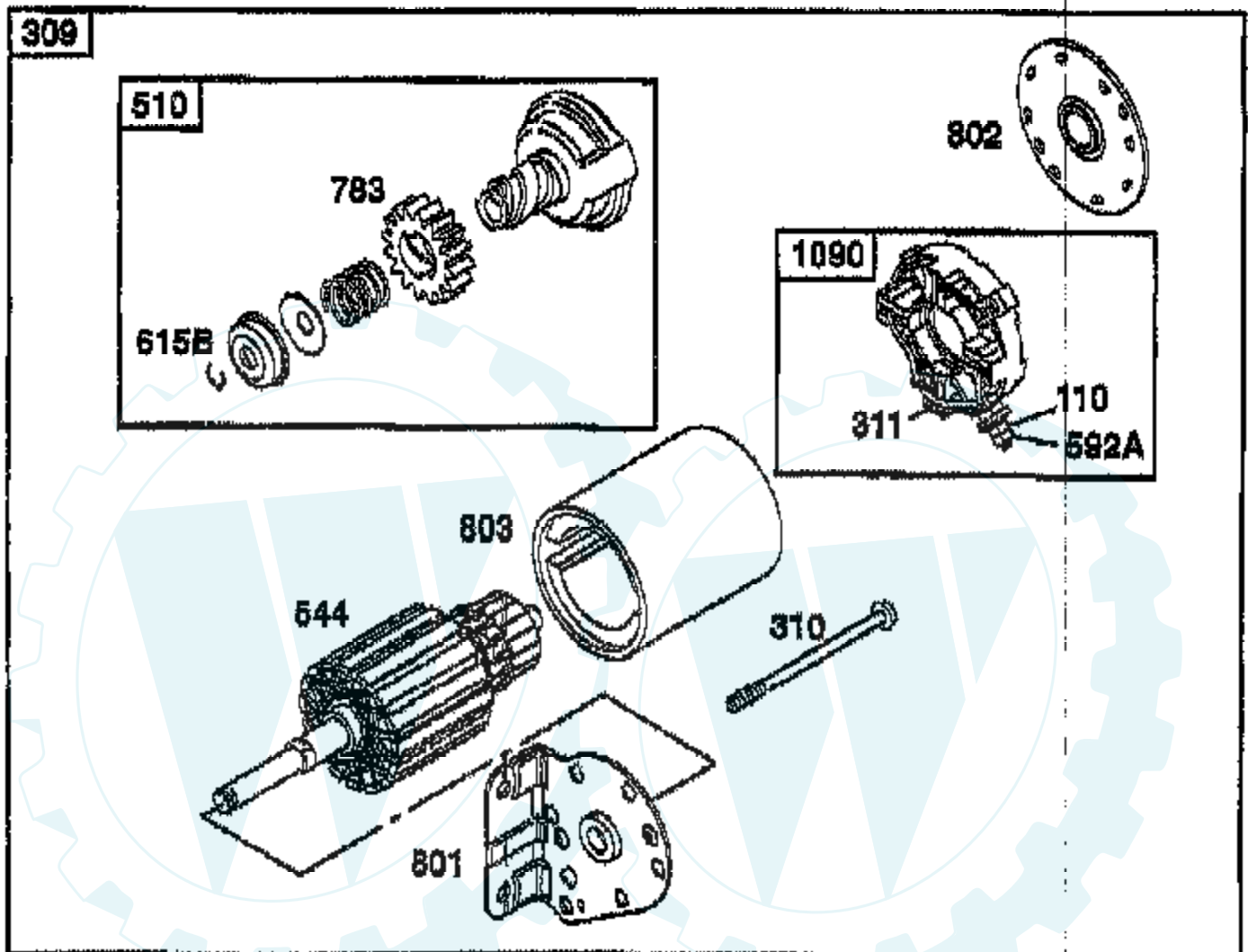
Ref #	Part Number	Qty	Description
445	691007		CARTRIDGE, AIR CLEANER
467	691008		NUT, AIR CLEANER
474	691063		ALTERNATOR
482	691183		SCREW, HEX
510	497606		DRIVE, STARTER
523	691036		DIPSTICK, OIL
525	691037		TUBE, OIL FILL
544	PARTSIMAGE		REFER TO PARTS IMAGE
552	690552		BUSHING, GOVERNOR CRANK
552A	690553		BUSHING, GOVERNOR CRANK
556	690967		SCREW, HEX
562	690311		BOLT, CARRIAGE
573	691009		PLATE, BLACK
592	690958		NUT, HEX
592A	691029		NUT, HEX
601	691038		CLAMP, FUEL LINE
615	690328		RETAINER, GOVERNOR
615A	690317		RETAINER, GOVERNOR
615B	691265		RETAINER
646	691045		CRANK, GOVERNOR
633	690998		SEAL, CHOKE SHAFT
634	690442		WASHER, FLAT
635	691210		BOOT, SPARK PLUG
668	691215		SPACER
703	690010		CLIP, HOSE
718	690959		DOWEL, SLEEVE
726	499612		GEAR, RING
728	690372		SCREW, TORX
741	690980		GEAR, TIMING
783	691280		GEAR, STARTER
788	691039		BRACKET, PUMP
789	691220		HARNESS, WIRING
801	691283		CAP, DRIVE
802	691286		CAP, END
803	PARTSIMAGE		REFER TO PARTS IMAGE
823	690960		SCREW, HEX
847	499602		DIPSTICK/TUBE ASSY
851	691234		TERMINAL, IGNITION CABLE
855	691011		ADAPTER, AIR
865	691012		COVER, AIR GUIDE
865A	691013		COVER, AIR GUIDE
865B	691015		COVER, AIR GUIDE
868	690968		SEAL, VALVE
871	690969		BUSHING, GUIDE
878	691237		WIRE, ALTERNATOR
881	690999		PLATE, COVER
883	690970		GASKET, EXHAUST
918	691040		HOSE, VACUUM
947	499809		SOLENOID, FUEL
965	499613		COVER, OIL PUMP
967	691016		FILTER, PRE-CLEANER
968	499788		COVER, AIR CLEANER
975	499810		BOWL, FLOAT
877	499812		GASKET SET, CARBURETOR
987	691000		SEAL, THROTTLE SHAFT
1005	691243		FAN, FLYWHEEL
1006	691247		RETAINER, FAN
1017	690770		SCREEN, OIL PUMP

Ref #	Part Number	Qty	Description
1019	690103		LABEL KIT
1022	690971		GASKET, ROCKER COVER
1023	499599		COVER, ROCKER (CYL. NO.1)
1023A	499600		COVER, ROCKER (CYL. NO.2)
1024	499054		PUMP, OIL
1026	690981		ROD, PUSH (STEEL)
1026A	690982		ROD, PUSH (ALUMINUM)
1027	690041		FILTER, OIL
1029	690972		ARM, ROCKER
1033	499890		VALVE OVERHAUL KIT
1035	691042		SHAFT, OIL PUMP
1036	499783		LABEL KIT, EMISSION
1058	273694		OWNER'S MANUAL
1090	691293		RETAINER, BRUSH
1100	690973		PIVOT, ROCKER ARM
2500	407777-0027		ENGINE



### TRACTOR - - MODEL NUMBER AYP9187A99

BRIGGS & STRATTON ENGINE - MODEL NUMBER 407777, TYPE NUMBER 0119-E1



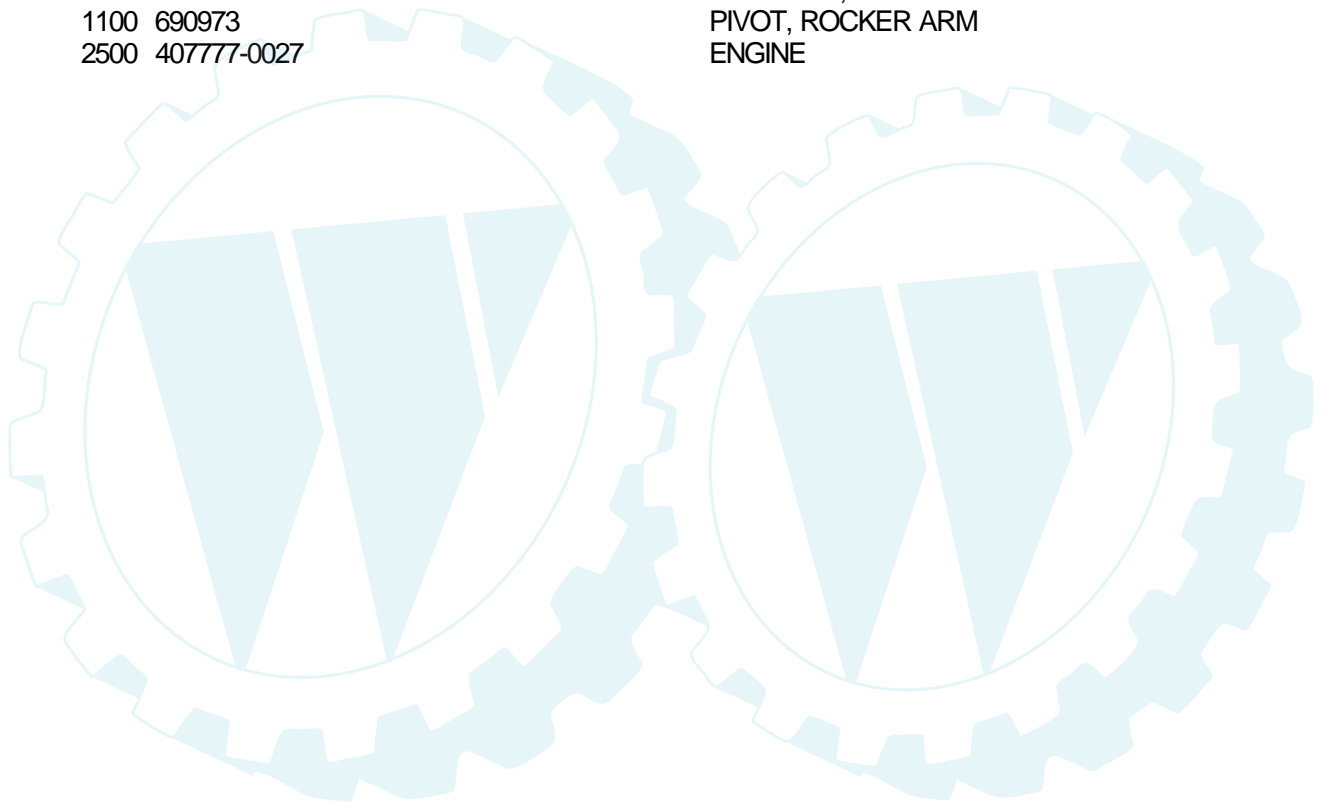
Ref #	Part Number	Qty	Description
	1 499584		CYLINDER ASSY
	2 499585		BUSHING CYLINDER
	3 690926		SEAL OIL
	4 690069		SUMP ENGINE
	5 499587		HEAD CYLINDER NO. 1
	5A 499595		HEAD CYLINDER NO. 2
	6 690097		WASHER FLAT
	7 690962		GASKET, CYLINDER HEAD
	8 499601		BREATHER ASSY
	9 690937		GASKET BREATHER
	10 691003		SCREW, HEX
	11 690942		TUBE, BREATHER
	12 690945		GASKET, CRANKCASE
	13 690360		SCREW, CYLINDER HEAD (3-9/16")
	15 690946		PLUG, OIL DRAIN
	16 691046		CRANKSHAFT
	20 690947		SEAL OIL
	22 690308		SCREW, CRANKCASE COVER
	23 691054		FLYWHEEL
	24 690974		KEY, FLYWHEEL
	25 499588		PISTON ASSY (STD)
	25 499589		PISTON ASSY (.010" O.S.)
	25 499590		PISTON ASSY (.020" O.S.)
	25 499591		PISTON ASSY (.030" O.S.)
	26 499604		RING SET, PISTON (STD.)
	26 499605		RING SET, PISTON (.010" O.S.)
	26 499606		RING SET, PISTON (.020" O.S.)
	26 499607		RING SET, PISTON (.030" O.S.)
	27 690975		LOCK, PISTON PIN
	28 499582		PIN ASSY, PISTON
	29 499583		ROD ASSY, CONNECTING
	32 690976		SCREW, CONNECTING ROD
	33 499596		VALVE, EXHAUST
	34 499597		VALVE, INTAKE
	35 690963		SPRING, VALVE
	40 690964		RETAINER, VALVE
	42 499586		KEEPER VALVE
	45 690977		TAPPET, VALVE
	46 690978		GEAR, CAM
	50 690948		MANIFOLD, INTAKE
	51 690949		GASKET, CARB. MOUNTING
	51A 690950		GASKET, INTAKE MANIFOLD
	53 690951		STUD, CARB. MOUNTING
	73 691055		SCREEN, ROTATING
	75 691056		WASHER, SPRING
	78 691057		SCREW, TORX
	87 690657		SEAL, GOVERNOR SHAFT
	89 690238		PLUG, OIL
	95 690718		SCREW, SLOTTED
	98 499802		SCREW, IDLE SPEED
	102 690234		GASKET, PLATE
	104 690984		PIN, FLOAT HINGE
	105 690985		VALVE, NEEDLE
	108 690986		VALVE, CHOKE
	110 691261		WASHER
	116 690987		O-RING, SOLENOID RETAINER
	116A 690988		O-RING, FUEL TRANSFER TUBE
	116B 690589		SEAL, O-RING (OIL PUMP COVER)

Ref #	Part Number	Qty	Description
116C	691031		SEAL, O-RING (DIPSTICK)
116D	691032		SEAL, O-RING (OIL FILTER TUBE)
117	690232		JET, MAIN (STANDARD)
119	690990		SCREW, PHILLIPS
119A	690991		SCREW, PHILLIPS
119B	690992		SCREW, PHILLIPS
119C	690720		SCREW, PHILLIPS
121	499811		CARBURETOR OVERHAUL KIT
122	690952		SPACER, CARBURETOR
125	499804		CARBURETOR
130	690993		VALVE, THROTTLE
131	499802		SCREW, IDLE SPEED
133	499806		FLOAT, CARBURETOR
135	499803		TUBE, FUEL TRANSFER
137	690994		GASKET, FLOAT BOWL
141	499807		SHAFT CHOKE
142	499808		NOZZLE, CARBURETOR
146	94388		TIMING GEAR KEY
150	281767		GASKET, NOZZLE
160	690996		RETAINER, SOLENOID
163	691001		GASKET, AIR CLEANER
176	691033		SCREW, T-30
187	691050		LINE, FUEL
187A	691049		LINE, FUEL
188	691058		SCREW, HEX
190	690953		SCREW, TORX HEX
192	690083		ADJUSTER, ROCKER ARM
195	690954		NIPPLE
209	690018		SPRING, GOVERNOR
211	690019		SPRING, GOVERNED IDLE
212	691020		LINK, THROTTLE
213	691021		BRACKET, CHOKE CONTROL
216	691022		LINK, CHOKE
219	394348		GEAR, GOVERNOR
220	690412		WASHER, THRUST
222	691023		PLATE, GOVERNOR CONTROL
227	691048		LEVER ASSY, GOVERNOR
240	691035		FILTER, FUEL
252	690956		ELEMENT, BREATHER
256	690957		RETAINER, ELEMENT
258	691003		SCREW, HEX
265	691024		CLAMP, CASING
277	691029		NUT, HEX
304	691004		HOUSING, BLOWER
305	691005		SCREW, HEX
309	691262		MOTOR, STARTER
310	691263		SCREW, HEX
311	691264		BRUSH, SET
332	690059		NUT, FLYWHEEL
333	691060		ARMATURE, MAGNETO
334	691061		SCREW, ARMATURE MOUNTING
337	690965		SPARK PLUG
351	691044		SCREW, HEX
355	690997		WASHER, SEAL
358	499889		GASKET SET
363	691062		FLYWHEEL, PULLER
383	690966		WRENCH, SPARK PLUG
387	691034		PUMP, FUEL



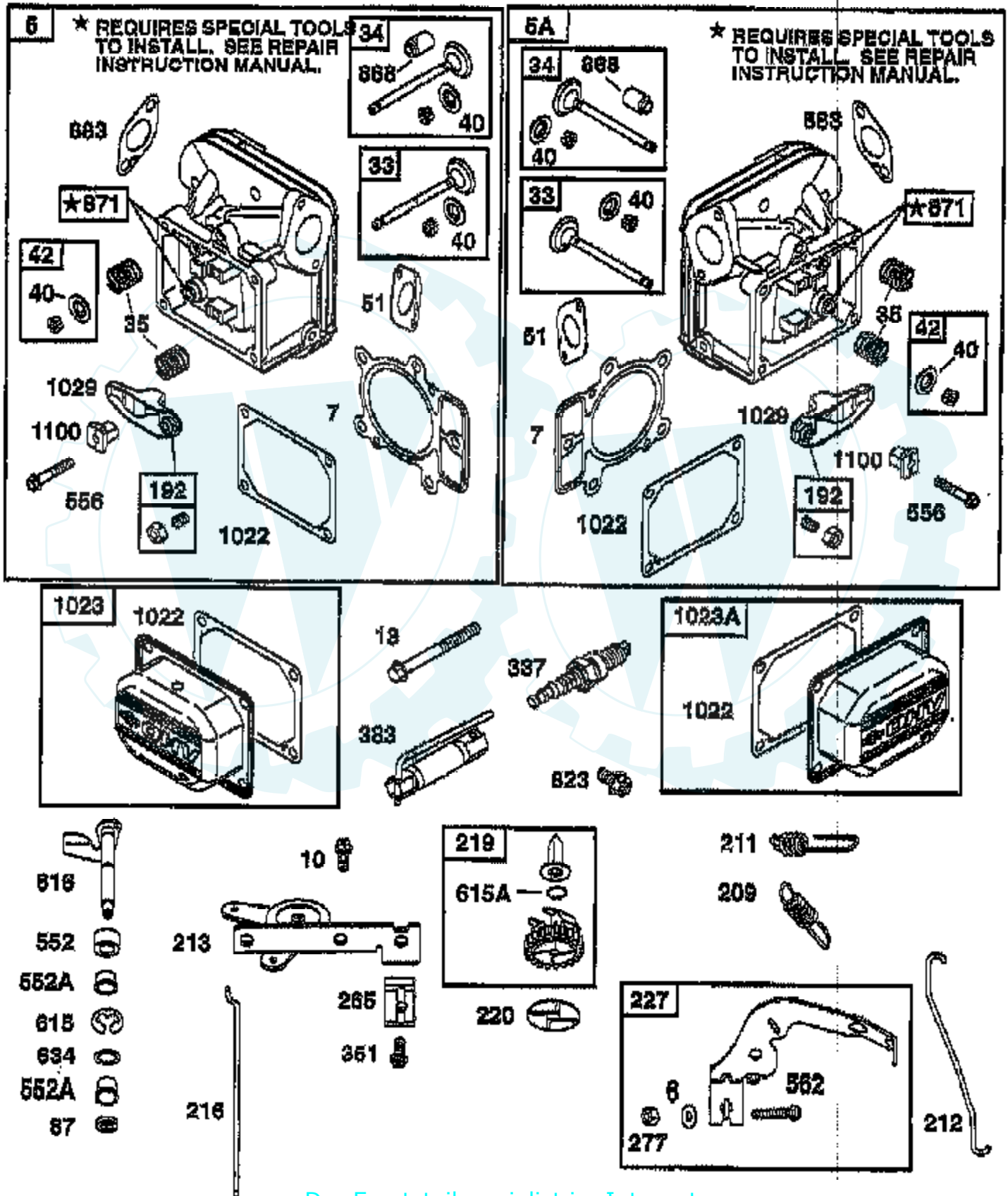
Ref #	Part Number	Qty	Description
445	691007		CARTRIDGE, AIR CLEANER
467	691008		NUT, AIR CLEANER
474	691063		ALTERNATOR
482	691183		SCREW, HEX
510	497606		DRIVE, STARTER
523	691036		DIPSTICK, OIL
525	691037		TUBE, OIL FILL
544	PARTSIMAGE		REFER TO PARTS IMAGE
552	690552		BUSHING, GOVERNOR CRANK
552A	690553		BUSHING, GOVERNOR CRANK
556	690967		SCREW, HEX
562	690311		BOLT, CARRIAGE
573	691009		PLATE, BLACK
592	690958		NUT, HEX
592A	691029		NUT, HEX
601	691038		CLAMP, FUEL LINE
615	690328		RETAINER, GOVERNOR
615A	690317		RETAINER, GOVERNOR
615B	691265		RETAINER
646	691045		CRANK, GOVERNOR
633	690998		SEAL, CHOKE SHAFT
634	690442		WASHER, FLAT
635	691210		BOOT, SPARK PLUG
668	691215		SPACER
703	690010		CLIP, HOSE
718	690959		DOWEL, SLEEVE
726	499612		GEAR, RING
728	690372		SCREW, TORX
741	690980		GEAR, TIMING
783	691280		GEAR, STARTER
788	691039		BRACKET, PUMP
789	691220		HARNESS, WIRING
801	691283		CAP, DRIVE
802	691286		CAP, END
803	PARTSIMAGE		REFER TO PARTS IMAGE
823	690960		SCREW, HEX
847	499602		DIPSTICK/TUBE ASSY
851	691234		TERMINAL, IGNITION CABLE
855	691011		ADAPTER, AIR
865	691012		COVER, AIR GUIDE
865A	691013		COVER, AIR GUIDE
865B	691015		COVER, AIR GUIDE
868	690968		SEAL, VALVE
871	690969		BUSHING, GUIDE
878	691237		WIRE, ALTERNATOR
881	690999		PLATE, COVER
883	690970		GASKET, EXHAUST
918	691040		HOSE, VACUUM
947	499809		SOLENOID, FUEL
965	499613		COVER, OIL PUMP
967	691016		FILTER, PRE-CLEANER
968	499788		COVER, AIR CLEANER
975	499810		BOWL, FLOAT
877	499812		GASKET SET, CARBURETOR
987	691000		SEAL, THROTTLE SHAFT
1005	691243		FAN, FLYWHEEL
1006	691247		RETAINER, FAN
1017	690770		SCREEN, OIL PUMP

Ref #	Part Number	Qty	Description
1019	690103		LABEL KIT
1022	690971		GASKET, ROCKER COVER
1023	499599		COVER, ROCKER (CYL. NO.1)
1023A	499600		COVER, ROCKER (CYL. NO.2)
1024	499054		PUMP, OIL
1026	690981		ROD, PUSH (STEEL)
1026A	690982		ROD, PUSH (ALUMINUM)
1027	690041		FILTER, OIL
1029	690972		ARM, ROCKER
1033	499890		VALVE OVERHAUL KIT
1035	691042		SHAFT, OIL PUMP
1036	499783		LABEL KIT, EMISSION
1058	273694		OWNER'S MANUAL
1090	691293		RETAINER, BRUSH
1100	690973		PIVOT, ROCKER ARM
2500	407777-0027		ENGINE



### TRACTOR - - MODEL NUMBER AYP9187A99

BRIGGS & STRATTON ENGINE - MODEL NUMBER 407777, TYPE NUMBER 0119-E1

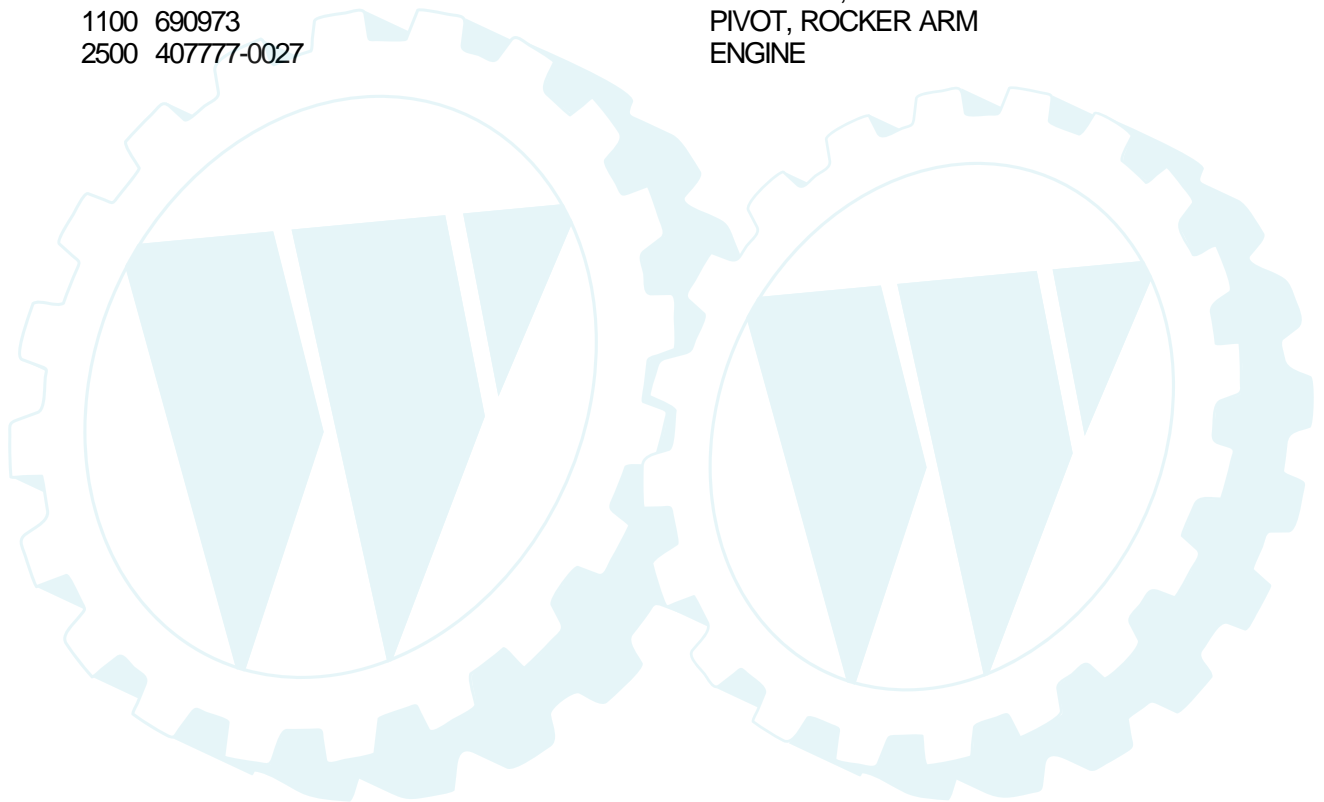


Ref #	Part Number	Qty	Description
1	499584		CYLINDER ASSY
2	499585		BUSHING CYLINDER
3	690926		SEAL OIL
4	690069		SUMP ENGINE
5	499587		HEAD CYLINDER NO. 1
5A	499595		HEAD CYLINDER NO. 2
6	690097		WASHER FLAT
7	690962		GASKET, CYLINDER HEAD
8	499601		BREATHER ASSY
9	690937		GASKET BREATHER
10	691003		SCREW, HEX
11	690942		TUBE, BREATHER
12	690945		GASKET, CRANKCASE
13	690360		SCREW, CYLINDER HEAD (3-9/16")
15	690946		PLUG, OIL DRAIN
16	691046		CRANKSHAFT
20	690947		SEAL OIL
22	690308		SCREW, CRANKCASE COVER
23	691054		FLYWHEEL
24	690974		KEY, FLYWHEEL
25	499588		PISTON ASSY (STD)
25	499589		PISTON ASSY (.010" O.S.)
25	499590		PISTON ASSY (.020" O.S.)
25	499591		PISTON ASSY (.030" O.S.)
26	499604		RING SET, PISTON (STD.)
26	499605		RING SET, PISTON (.010" O.S.)
26	499606		RING SET, PISTON (.020" O.S.)
26	499607		RING SET, PISTON (.030" O.S.)
27	690975		LOCK, PISTON PIN
28	499582		PIN ASSY, PISTON
29	499583		ROD ASSY, CONNECTING
32	690976		SCREW, CONNECTING ROD
33	499596		VALVE, EXHAUST
34	499597		VALVE, INTAKE
35	690963		SPRING, VALVE
40	690964		RETAINER, VALVE
42	499586		KEEPER VALVE
45	690977		TAPPET, VALVE
46	690978		GEAR, CAM
50	690948		MANIFOLD, INTAKE
51	690949		GASKET, CARB. MOUNTING
51A	690950		GASKET, INTAKE MANIFOLD
53	690951		STUD, CARB. MOUNTING
73	691055		SCREEN, ROTATING
75	691056		WASHER, SPRING
78	691057		SCREW, TORX
87	690657		SEAL, GOVERNOR SHAFT
89	690238		PLUG, OIL
95	690718		SCREW, SLOTTED
98	499802		SCREW, IDLE SPEED
102	690234		GASKET, PLATE
104	690984		PIN, FLOAT HINGE
105	690985		VALVE, NEEDLE
108	690986		VALVE, CHOKE
110	691261		WASHER
116	690987		O-RING, SOLENOID RETAINER
116A	690988		O-RING, FUEL TRANSFER TUBE
116B	690589		SEAL, O-RING (OIL PUMP COVER)

Ref #	Part Number	Qty	Description
116C	691031		SEAL, O-RING (DIPSTICK)
116D	691032		SEAL, O-RING (OIL FILTER TUBE)
117	690232		JET, MAIN (STANDARD)
119	690990		SCREW, PHILLIPS
119A	690991		SCREW, PHILLIPS
119B	690992		SCREW, PHILLIPS
119C	690720		SCREW, PHILLIPS
121	499811		CARBURETOR OVERHAUL KIT
122	690952		SPACER, CARBURETOR
125	499804		CARBURETOR
130	690993		VALVE, THROTTLE
131	499802		SCREW, IDLE SPEED
133	499806		FLOAT, CARBURETOR
135	499803		TUBE, FUEL TRANSFER
137	690994		GASKET, FLOAT BOWL
141	499807		SHAFT CHOKE
142	499808		NOZZLE, CARBURETOR
146	94388		TIMING GEAR KEY
150	281767		GASKET, NOZZLE
160	690996		RETAINER, SOLENOID
163	691001		GASKET, AIR CLEANER
176	691033		SCREW, T-30
187	691050		LINE, FUEL
187A	691049		LINE, FUEL
188	691058		SCREW, HEX
190	690953		SCREW, TORX HEX
192	690083		ADJUSTER, ROCKER ARM
195	690954		NIPPLE
209	690018		SPRING, GOVERNOR
211	690019		SPRING, GOVERNED IDLE
212	691020		LINK, THROTTLE
213	691021		BRACKET, CHOKE CONTROL
216	691022		LINK, CHOKE
219	394348		GEAR, GOVERNOR
220	690412		WASHER, THRUST
222	691023		PLATE, GOVERNOR CONTROL
227	691048		LEVER ASSY, GOVERNOR
240	691035		FILTER, FUEL
252	690956		ELEMENT, BREATHER
256	690957		RETAINER, ELEMENT
258	691003		SCREW, HEX
265	691024		CLAMP, CASING
277	691029		NUT, HEX
304	691004		HOUSING, BLOWER
305	691005		SCREW, HEX
309	691262		MOTOR, STARTER
310	691263		SCREW, HEX
311	691264		BRUSH, SET
332	690059		NUT, FLYWHEEL
333	691060		ARMATURE, MAGNETO
334	691061		SCREW, ARMATURE MOUNTING
337	690965		SPARK PLUG
351	691044		SCREW, HEX
355	690997		WASHER, SEAL
358	499889		GASKET SET
363	691062		FLYWHEEL, PULLER
383	690966		WRENCH, SPARK PLUG
387	691034		PUMP, FUEL

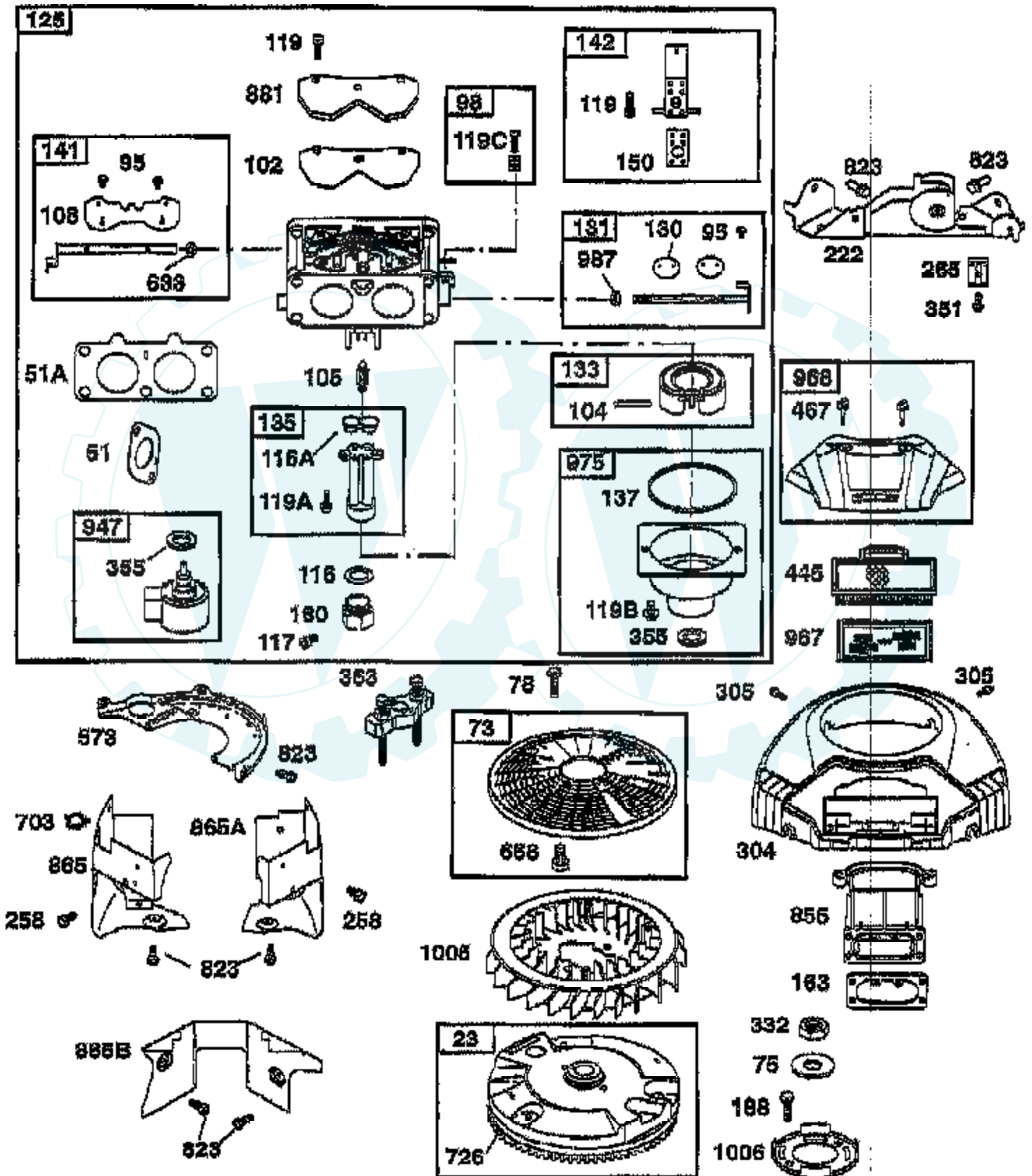
Ref #	Part Number	Qty	Description
445	691007		CARTRIDGE, AIR CLEANER
467	691008		NUT, AIR CLEANER
474	691063		ALTERNATOR
482	691183		SCREW, HEX
510	497606		DRIVE, STARTER
523	691036		DIPSTICK, OIL
525	691037		TUBE, OIL FILL
544	PARTSIMAGE		REFER TO PARTS IMAGE
552	690552		BUSHING, GOVERNOR CRANK
552A	690553		BUSHING, GOVERNOR CRANK
556	690967		SCREW, HEX
562	690311		BOLT, CARRIAGE
573	691009		PLATE, BLACK
592	690958		NUT, HEX
592A	691029		NUT, HEX
601	691038		CLAMP, FUEL LINE
615	690328		RETAINER, GOVERNOR
615A	690317		RETAINER, GOVERNOR
615B	691265		RETAINER
646	691045		CRANK, GOVERNOR
633	690998		SEAL, CHOKE SHAFT
634	690442		WASHER, FLAT
635	691210		BOOT, SPARK PLUG
668	691215		SPACER
703	690010		CLIP, HOSE
718	690959		DOWEL, SLEEVE
726	499612		GEAR, RING
728	690372		SCREW, TORX
741	690980		GEAR, TIMING
783	691280		GEAR, STARTER
788	691039		BRACKET, PUMP
789	691220		HARNESS, WIRING
801	691283		CAP, DRIVE
802	691286		CAP, END
803	PARTSIMAGE		REFER TO PARTS IMAGE
823	690960		SCREW, HEX
847	499602		DIPSTICK/TUBE ASSY
851	691234		TERMINAL, IGNITION CABLE
855	691011		ADAPTER, AIR
865	691012		COVER, AIR GUIDE
865A	691013		COVER, AIR GUIDE
865B	691015		COVER, AIR GUIDE
868	690968		SEAL, VALVE
871	690969		BUSHING, GUIDE
878	691237		WIRE, ALTERNATOR
881	690999		PLATE, COVER
883	690970		GASKET, EXHAUST
918	691040		HOSE, VACUUM
947	499809		SOLENOID, FUEL
965	499613		COVER, OIL PUMP
967	691016		FILTER, PRE-CLEANER
968	499788		COVER, AIR CLEANER
975	499810		BOWL, FLOAT
877	499812		GASKET SET, CARBURETOR
987	691000		SEAL, THROTTLE SHAFT
1005	691243		FAN, FLYWHEEL
1006	691247		RETAINER, FAN
1017	690770		SCREEN, OIL PUMP

Ref #	Part Number	Qty	Description
1019	690103		LABEL KIT
1022	690971		GASKET, ROCKER COVER
1023	499599		COVER, ROCKER (CYL. NO.1)
1023A	499600		COVER, ROCKER (CYL. NO.2)
1024	499054		PUMP, OIL
1026	690981		ROD, PUSH (STEEL)
1026A	690982		ROD, PUSH (ALUMINUM)
1027	690041		FILTER, OIL
1029	690972		ARM, ROCKER
1033	499890		VALVE OVERHAUL KIT
1035	691042		SHAFT, OIL PUMP
1036	499783		LABEL KIT, EMISSION
1058	273694		OWNER'S MANUAL
1090	691293		RETAINER, BRUSH
1100	690973		PIVOT, ROCKER ARM
2500	407777-0027		ENGINE



### TRACTOR - - MODEL NUMBER AYP9187A99

BRIGGS & STRATTON ENGINE - MODEL NUMBER 407777, TYPE NUMBER 0119-E1



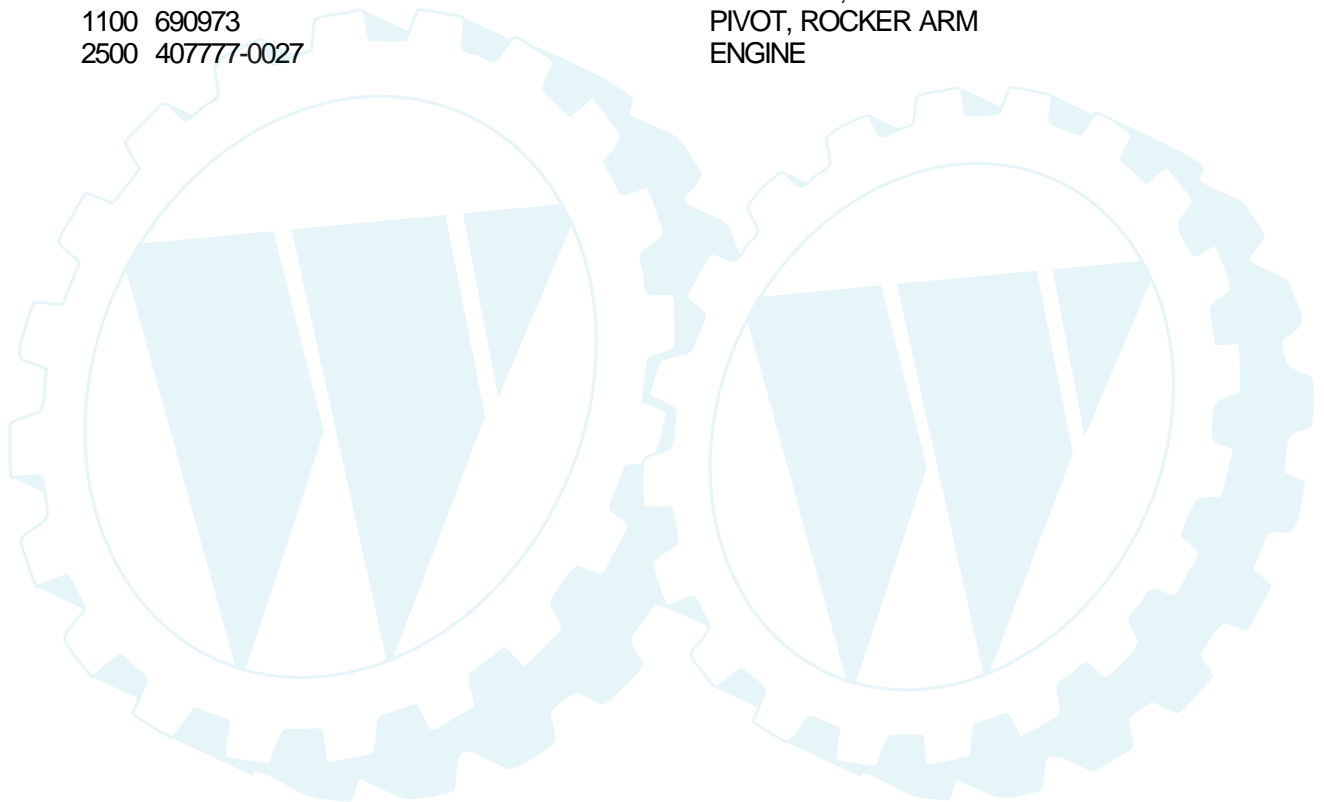


Ref #	Part Number	Qty	Description
1	499584		CYLINDER ASSY
2	499585		BUSHING CYLINDER
3	690926		SEAL OIL
4	690069		SUMP ENGINE
5	499587		HEAD CYLINDER NO. 1
5A	499595		HEAD CYLINDER NO. 2
6	690097		WASHER FLAT
7	690962		GASKET, CYLINDER HEAD
8	499601		BREATHER ASSY
9	690937		GASKET BREATHER
10	691003		SCREW, HEX
11	690942		TUBE, BREATHER
12	690945		GASKET, CRANKCASE
13	690360		SCREW, CYLINDER HEAD (3-9/16")
15	690946		PLUG, OIL DRAIN
16	691046		CRANKSHAFT
20	690947		SEAL OIL
22	690308		SCREW, CRANKCASE COVER
23	691054		FLYWHEEL
24	690974		KEY, FLYWHEEL
25	499588		PISTON ASSY (STD)
25	499589		PISTON ASSY (.010" O.S.)
25	499590		PISTON ASSY (.020" O.S.)
25	499591		PISTON ASSY (.030" O.S.)
26	499604		RING SET, PISTON (STD.)
26	499605		RING SET, PISTON (.010" O.S.)
26	499606		RING SET, PISTON (.020" O.S.)
26	499607		RING SET, PISTON (.030" O.S.)
27	690975		LOCK, PISTON PIN
28	499582		PIN ASSY, PISTON
29	499583		ROD ASSY, CONNECTING
32	690976		SCREW, CONNECTING ROD
33	499596		VALVE, EXHAUST
34	499597		VALVE, INTAKE
35	690963		SPRING, VALVE
40	690964		RETAINER, VALVE
42	499586		KEEPER VALVE
45	690977		TAPPET, VALVE
46	690978		GEAR, CAM
50	690948		MANIFOLD, INTAKE
51	690949		GASKET, CARB. MOUNTING
51A	690950		GASKET, INTAKE MANIFOLD
53	690951		STUD, CARB. MOUNTING
73	691055		SCREEN, ROTATING
75	691056		WASHER, SPRING
78	691057		SCREW, TORX
87	690657		SEAL, GOVERNOR SHAFT
89	690238		PLUG, OIL
95	690718		SCREW, SLOTTED
98	499802		SCREW, IDLE SPEED
102	690234		GASKET, PLATE
104	690984		PIN, FLOAT HINGE
105	690985		VALVE, NEEDLE
108	690986		VALVE, CHOKE
110	691261		WASHER
116	690987		O-RING, SOLENOID RETAINER
116A	690988		O-RING, FUEL TRANSFER TUBE
116B	690589		SEAL, O-RING (OIL PUMP COVER)

Ref #	Part Number	Qty	Description
116C	691031		SEAL, O-RING (DIPSTICK)
116D	691032		SEAL, O-RING (OIL FILTER TUBE)
117	690232		JET, MAIN (STANDARD)
119	690990		SCREW, PHILLIPS
119A	690991		SCREW, PHILLIPS
119B	690992		SCREW, PHILLIPS
119C	690720		SCREW, PHILLIPS
121	499811		CARBURETOR OVERHAUL KIT
122	690952		SPACER, CARBURETOR
125	499804		CARBURETOR
130	690993		VALVE, THROTTLE
131	499802		SCREW, IDLE SPEED
133	499806		FLOAT, CARBURETOR
135	499803		TUBE, FUEL TRANSFER
137	690994		GASKET, FLOAT BOWL
141	499807		SHAFT CHOKE
142	499808		NOZZLE, CARBURETOR
146	94388		TIMING GEAR KEY
150	281767		GASKET, NOZZLE
160	690996		RETAINER, SOLENOID
163	691001		GASKET, AIR CLEANER
176	691033		SCREW, T-30
187	691050		LINE, FUEL
187A	691049		LINE, FUEL
188	691058		SCREW, HEX
190	690953		SCREW, TORX HEX
192	690083		ADJUSTER, ROCKER ARM
195	690954		NIPPLE
209	690018		SPRING, GOVERNOR
211	690019		SPRING, GOVERNED IDLE
212	691020		LINK, THROTTLE
213	691021		BRACKET, CHOKE CONTROL
216	691022		LINK, CHOKE
219	394348		GEAR, GOVERNOR
220	690412		WASHER, THRUST
222	691023		PLATE, GOVERNOR CONTROL
227	691048		LEVER ASSY, GOVERNOR
240	691035		FILTER, FUEL
252	690956		ELEMENT, BREATHER
256	690957		RETAINER, ELEMENT
258	691003		SCREW, HEX
265	691024		CLAMP, CASING
277	691029		NUT, HEX
304	691004		HOUSING, BLOWER
305	691005		SCREW, HEX
309	691262		MOTOR, STARTER
310	691263		SCREW, HEX
311	691264		BRUSH, SET
332	690059		NUT, FLYWHEEL
333	691060		ARMATURE, MAGNETO
334	691061		SCREW, ARMATURE MOUNTING
337	690965		SPARK PLUG
351	691044		SCREW, HEX
355	690997		WASHER, SEAL
358	499889		GASKET SET
363	691062		FLYWHEEL, PULLER
383	690966		WRENCH, SPARK PLUG
387	691034		PUMP, FUEL

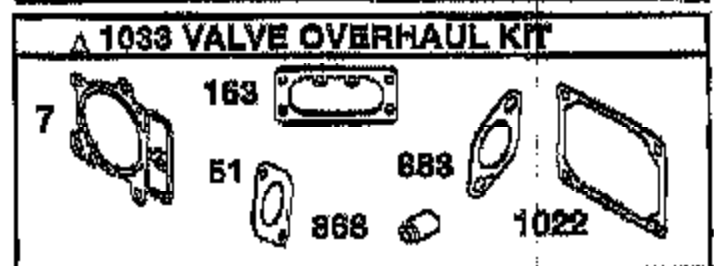
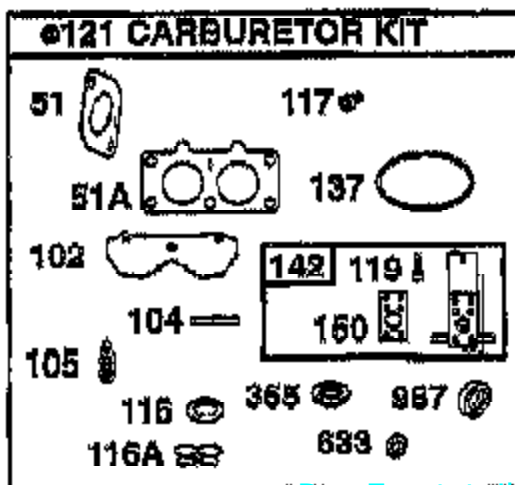
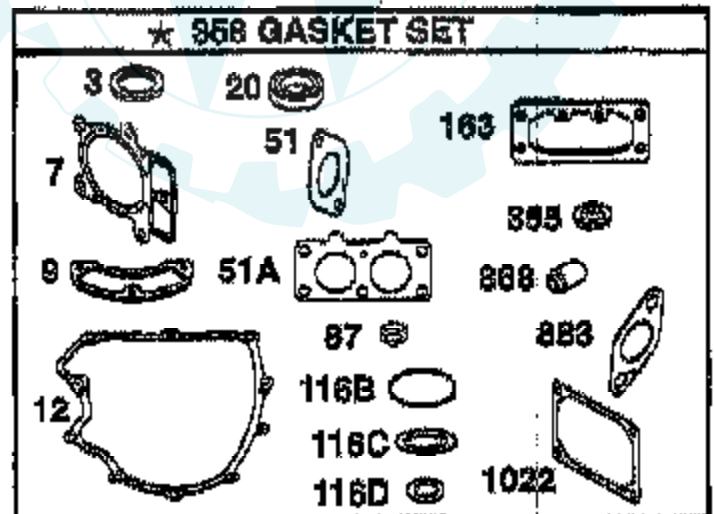
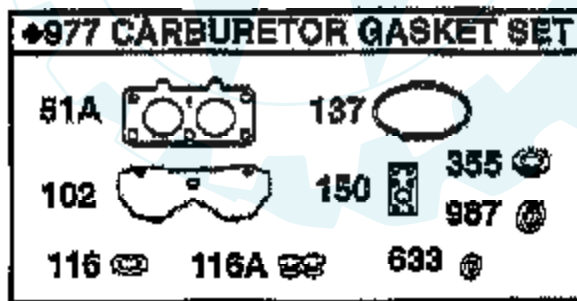
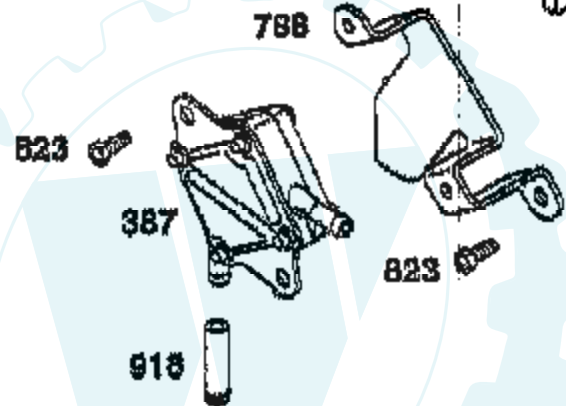
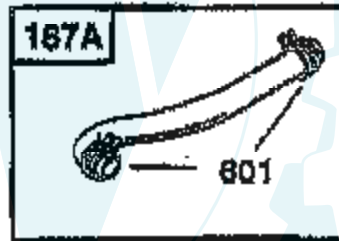
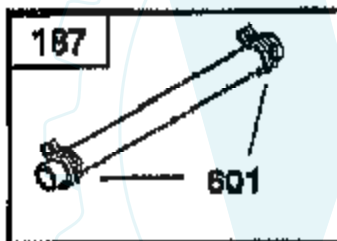
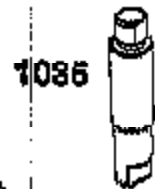
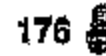
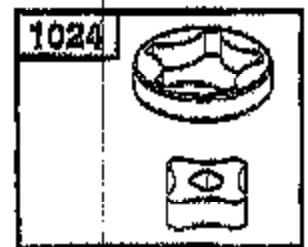
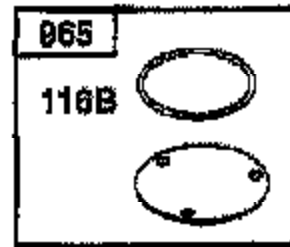
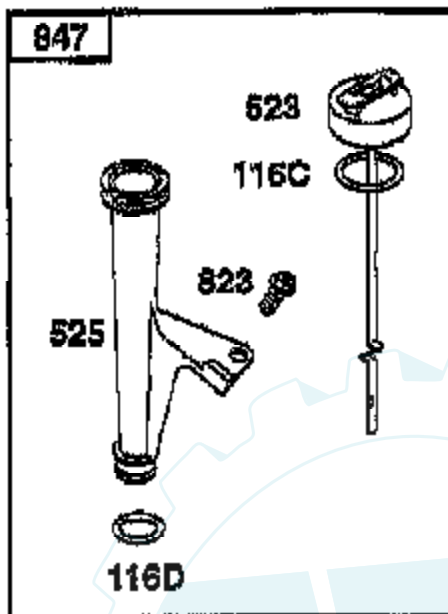
Ref #	Part Number	Qty	Description
445	691007		CARTRIDGE, AIR CLEANER
467	691008		NUT, AIR CLEANER
474	691063		ALTERNATOR
482	691183		SCREW, HEX
510	497606		DRIVE, STARTER
523	691036		DIPSTICK, OIL
525	691037		TUBE, OIL FILL
544	PARTSIMAGE		REFER TO PARTS IMAGE
552	690552		BUSHING, GOVERNOR CRANK
552A	690553		BUSHING, GOVERNOR CRANK
556	690967		SCREW, HEX
562	690311		BOLT, CARRIAGE
573	691009		PLATE, BLACK
592	690958		NUT, HEX
592A	691029		NUT, HEX
601	691038		CLAMP, FUEL LINE
615	690328		RETAINER, GOVERNOR
615A	690317		RETAINER, GOVERNOR
615B	691265		RETAINER
646	691045		CRANK, GOVERNOR
633	690998		SEAL, CHOKE SHAFT
634	690442		WASHER, FLAT
635	691210		BOOT, SPARK PLUG
668	691215		SPACER
703	690010		CLIP, HOSE
718	690959		DOWEL, SLEEVE
726	499612		GEAR, RING
728	690372		SCREW, TORX
741	690980		GEAR, TIMING
783	691280		GEAR, STARTER
788	691039		BRACKET, PUMP
789	691220		HARNESS, WIRING
801	691283		CAP, DRIVE
802	691286		CAP, END
803	PARTSIMAGE		REFER TO PARTS IMAGE
823	690960		SCREW, HEX
847	499602		DIPSTICK/TUBE ASSY
851	691234		TERMINAL, IGNITION CABLE
855	691011		ADAPTER, AIR
865	691012		COVER, AIR GUIDE
865A	691013		COVER, AIR GUIDE
865B	691015		COVER, AIR GUIDE
868	690968		SEAL, VALVE
871	690969		BUSHING, GUIDE
878	691237		WIRE, ALTERNATOR
881	690999		PLATE, COVER
883	690970		GASKET, EXHAUST
918	691040		HOSE, VACUUM
947	499809		SOLENOID, FUEL
965	499613		COVER, OIL PUMP
967	691016		FILTER, PRE-CLEANER
968	499788		COVER, AIR CLEANER
975	499810		BOWL, FLOAT
877	499812		GASKET SET, CARBURETOR
987	691000		SEAL, THROTTLE SHAFT
1005	691243		FAN, FLYWHEEL
1006	691247		RETAINER, FAN
1017	690770		SCREEN, OIL PUMP

Ref #	Part Number	Qty	Description
1019	690103		LABEL KIT
1022	690971		GASKET, ROCKER COVER
1023	499599		COVER, ROCKER (CYL. NO.1)
1023A	499600		COVER, ROCKER (CYL. NO.2)
1024	499054		PUMP, OIL
1026	690981		ROD, PUSH (STEEL)
1026A	690982		ROD, PUSH (ALUMINUM)
1027	690041		FILTER, OIL
1029	690972		ARM, ROCKER
1033	499890		VALVE OVERHAUL KIT
1035	691042		SHAFT, OIL PUMP
1036	499783		LABEL KIT, EMISSION
1058	273694		OWNER'S MANUAL
1090	691293		RETAINER, BRUSH
1100	690973		PIVOT, ROCKER ARM
2500	407777-0027		ENGINE



## TRACTOR - - MODEL NUMBER AYP9187A99

BRIGGS & STRATTON ENGINE - MODEL NUMBER 407777, TYPE NUMBER 0119-E1



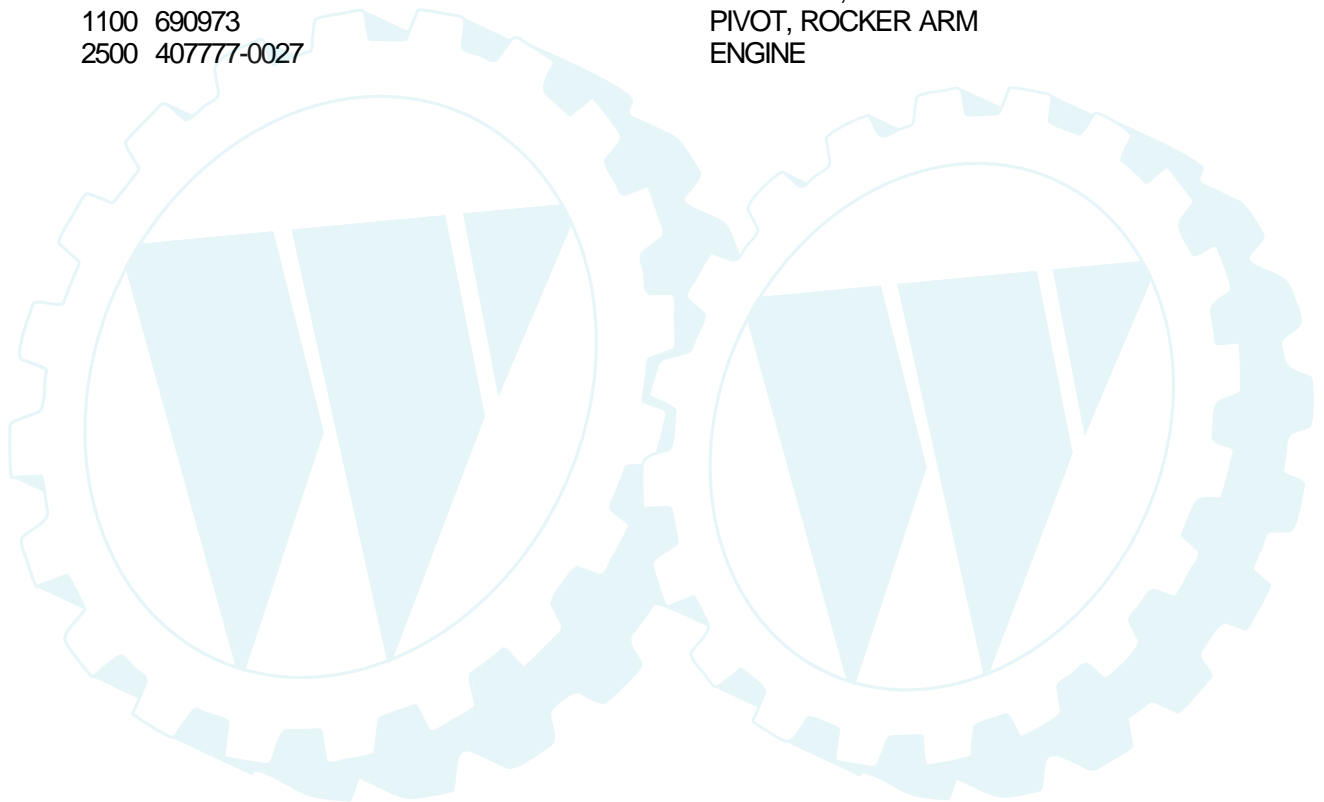
Ref #	Part Number	Qty	Description
	1		499584 CYLINDER ASSY
	2		499585 BUSHING CYLINDER
	3		690926 SEAL OIL
	4		690069 SUMP ENGINE
	5		499587 HEAD CYLINDER NO. 1
	5A		499595 HEAD CYLINDER NO. 2
	6		690097 WASHER FLAT
	7		690962 GASKET, CYLINDER HEAD
	8		499601 BREATHER ASSY
	9		690937 GASKET BREATHER
	10		691003 SCREW, HEX
	11		690942 TUBE, BREATHER
	12		690945 GASKET, CRANKCASE
	13		690360 SCREW, CYLINDER HEAD (3-9/16")
	15		690946 PLUG, OIL DRAIN
	16		691046 CRANKSHAFT
	20		690947 SEAL OIL
	22		690308 SCREW, CRANKCASE COVER
	23		691054 FLYWHEEL
	24		690974 KEY, FLYWHEEL
	25		499588 PISTON ASSY (STD)
	25		499589 PISTON ASSY (.010" O.S.)
	25		499590 PISTON ASSY (.020" O.S.)
	25		499591 PISTON ASSY (.030" O.S.)
	26		499604 RING SET, PISTON (STD.)
	26		499605 RING SET, PISTON (.010" O.S.)
	26		499606 RING SET, PISTON (.020" O.S.)
	26		499607 RING SET, PISTON (.030" O.S.)
	27		690975 LOCK, PISTON PIN
	28		499582 PIN ASSY, PISTON
	29		499583 ROD ASSY, CONNECTING
	32		690976 SCREW, CONNECTING ROD
	33		499596 VALVE, EXHAUST
	34		499597 VALVE, INTAKE
	35		690963 SPRING, VALVE
	40		690964 RETAINER, VALVE
	42		499586 KEEPER VALVE
	45		690977 TAPPET, VALVE
	46		690978 GEAR, CAM
	50		690948 MANIFOLD, INTAKE
	51		690949 GASKET, CARB. MOUNTING
	51A		690950 GASKET, INTAKE MANIFOLD
	53		690951 STUD, CARB. MOUNTING
	73		691055 SCREEN, ROTATING
	75		691056 WASHER, SPRING
	78		691057 SCREW, TORX
	87		690657 SEAL, GOVERNOR SHAFT
	89		690238 PLUG, OIL
	95		690718 SCREW, SLOTTED
	98		499802 SCREW, IDLE SPEED
	102		690234 GASKET, PLATE
	104		690984 PIN, FLOAT HINGE
	105		690985 VALVE, NEEDLE
	108		690986 VALVE, CHOKE
	110		691261 WASHER
	116		690987 O-RING, SOLENOID RETAINER
	116A		690988 O-RING, FUEL TRANSFER TUBE
	116B		690589 SEAL, O-RING (OIL PUMP COVER)

Ref #	Part Number	Qty	Description
116C	691031		SEAL, O-RING (DIPSTICK)
116D	691032		SEAL, O-RING (OIL FILTER TUBE)
117	690232		JET, MAIN (STANDARD)
119	690990		SCREW, PHILLIPS
119A	690991		SCREW, PHILLIPS
119B	690992		SCREW, PHILLIPS
119C	690720		SCREW, PHILLIPS
121	499811		CARBURETOR OVERHAUL KIT
122	690952		SPACER, CARBURETOR
125	499804		CARBURETOR
130	690993		VALVE, THROTTLE
131	499802		SCREW, IDLE SPEED
133	499806		FLOAT, CARBURETOR
135	499803		TUBE, FUEL TRANSFER
137	690994		GASKET, FLOAT BOWL
141	499807		SHAFT CHOKE
142	499808		NOZZLE, CARBURETOR
146	94388		TIMING GEAR KEY
150	281767		GASKET, NOZZLE
160	690996		RETAINER, SOLENOID
163	691001		GASKET, AIR CLEANER
176	691033		SCREW, T-30
187	691050		LINE, FUEL
187A	691049		LINE, FUEL
188	691058		SCREW, HEX
190	690953		SCREW, TORX HEX
192	690083		ADJUSTER, ROCKER ARM
195	690954		NIPPLE
209	690018		SPRING, GOVERNOR
211	690019		SPRING, GOVERNED IDLE
212	691020		LINK, THROTTLE
213	691021		BRACKET, CHOKE CONTROL
216	691022		LINK, CHOKE
219	394348		GEAR, GOVERNOR
220	690412		WASHER, THRUST
222	691023		PLATE, GOVERNOR CONTROL
227	691048		LEVER ASSY, GOVERNOR
240	691035		FILTER, FUEL
252	690956		ELEMENT, BREATHER
256	690957		RETAINER, ELEMENT
258	691003		SCREW, HEX
265	691024		CLAMP, CASING
277	691029		NUT, HEX
304	691004		HOUSING, BLOWER
305	691005		SCREW, HEX
309	691262		MOTOR, STARTER
310	691263		SCREW, HEX
311	691264		BRUSH, SET
332	690059		NUT, FLYWHEEL
333	691060		ARMATURE, MAGNETO
334	691061		SCREW, ARMATURE MOUNTING
337	690965		SPARK PLUG
351	691044		SCREW, HEX
355	690997		WASHER, SEAL
358	499889		GASKET SET
363	691062		FLYWHEEL, PULLER
383	690966		WRENCH, SPARK PLUG
387	691034		PUMP, FUEL

Ref #	Part Number	Qty	Description
445	691007		CARTRIDGE, AIR CLEANER
467	691008		NUT, AIR CLEANER
474	691063		ALTERNATOR
482	691183		SCREW, HEX
510	497606		DRIVE, STARTER
523	691036		DIPSTICK, OIL
525	691037		TUBE, OIL FILL
544	PARTSIMAGE		REFER TO PARTS IMAGE
552	690552		BUSHING, GOVERNOR CRANK
552A	690553		BUSHING, GOVERNOR CRANK
556	690967		SCREW, HEX
562	690311		BOLT, CARRIAGE
573	691009		PLATE, BLACK
592	690958		NUT, HEX
592A	691029		NUT, HEX
601	691038		CLAMP, FUEL LINE
615	690328		RETAINER, GOVERNOR
615A	690317		RETAINER, GOVERNOR
615B	691265		RETAINER
646	691045		CRANK, GOVERNOR
633	690998		SEAL, CHOKE SHAFT
634	690442		WASHER, FLAT
635	691210		BOOT, SPARK PLUG
668	691215		SPACER
703	690010		CLIP, HOSE
718	690959		DOWEL, SLEEVE
726	499612		GEAR, RING
728	690372		SCREW, TORX
741	690980		GEAR, TIMING
783	691280		GEAR, STARTER
788	691039		BRACKET, PUMP
789	691220		HARNESS, WIRING
801	691283		CAP, DRIVE
802	691286		CAP, END
803	PARTSIMAGE		REFER TO PARTS IMAGE
823	690960		SCREW, HEX
847	499602		DIPSTICK/TUBE ASSY
851	691234		TERMINAL, IGNITION CABLE
855	691011		ADAPTER, AIR
865	691012		COVER, AIR GUIDE
865A	691013		COVER, AIR GUIDE
865B	691015		COVER, AIR GUIDE
868	690968		SEAL, VALVE
871	690969		BUSHING, GUIDE
878	691237		WIRE, ALTERNATOR
881	690999		PLATE, COVER
883	690970		GASKET, EXHAUST
918	691040		HOSE, VACUUM
947	499809		SOLENOID, FUEL
965	499613		COVER, OIL PUMP
967	691016		FILTER, PRE-CLEANER
968	499788		COVER, AIR CLEANER
975	499810		BOWL, FLOAT
877	499812		GASKET SET, CARBURETOR
987	691000		SEAL, THROTTLE SHAFT
1005	691243		FAN, FLYWHEEL
1006	691247		RETAINER, FAN
1017	690770		SCREEN, OIL PUMP

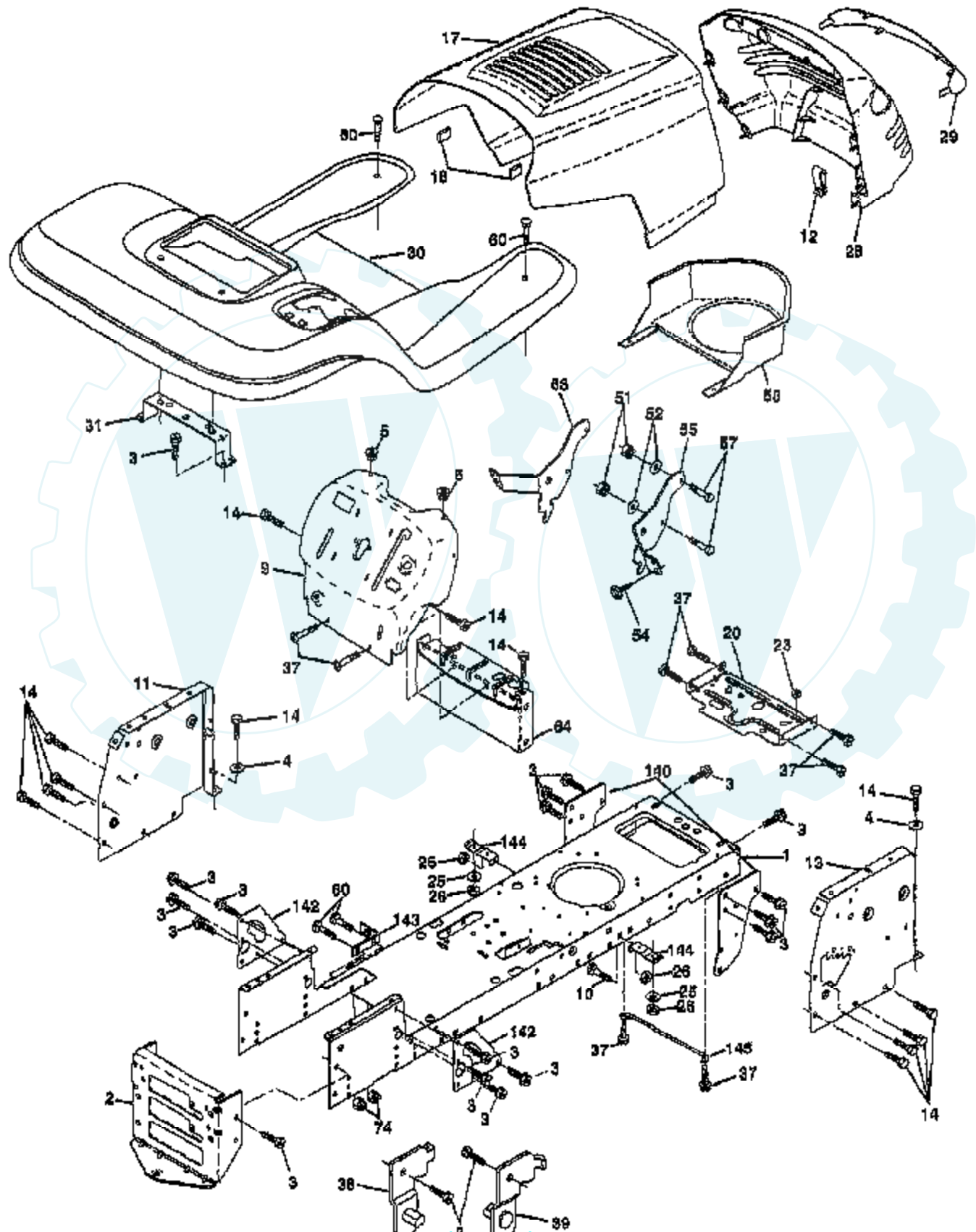


Ref #	Part Number	Qty	Description
1019	690103		LABEL KIT
1022	690971		GASKET, ROCKER COVER
1023	499599		COVER, ROCKER (CYL. NO.1)
1023A	499600		COVER, ROCKER (CYL. NO.2)
1024	499054		PUMP, OIL
1026	690981		ROD, PUSH (STEEL)
1026A	690982		ROD, PUSH (ALUMINUM)
1027	690041		FILTER, OIL
1029	690972		ARM, ROCKER
1033	499890		VALVE OVERHAUL KIT
1035	691042		SHAFT, OIL PUMP
1036	499783		LABEL KIT, EMISSION
1058	273694		OWNER'S MANUAL
1090	691293		RETAINER, BRUSH
1100	690973		PIVOT, ROCKER ARM
2500	407777-0027		ENGINE



# TRACTOR - - MODEL NUMBER AYP9187A99

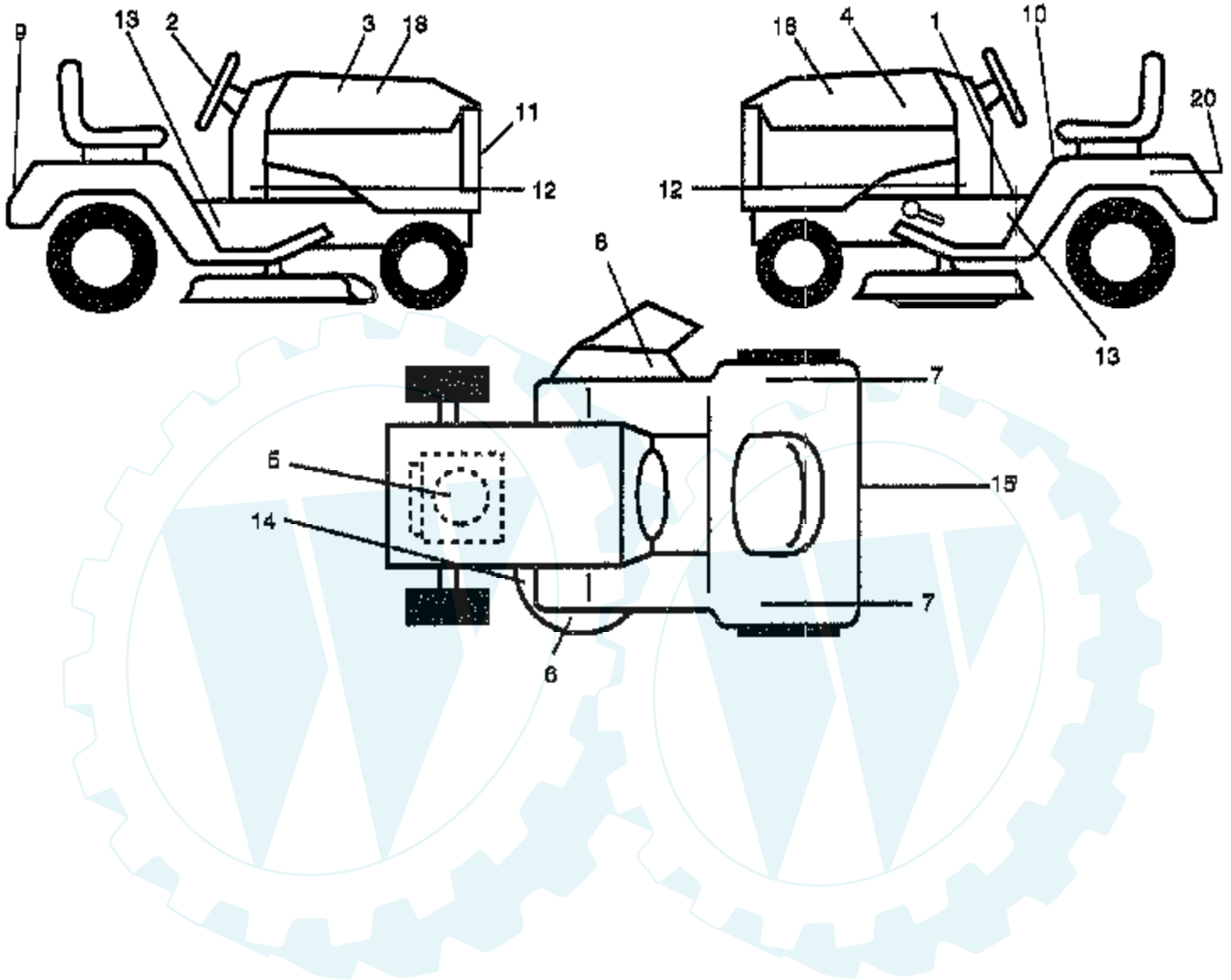
## CHASSIS AND ENCLOSURES



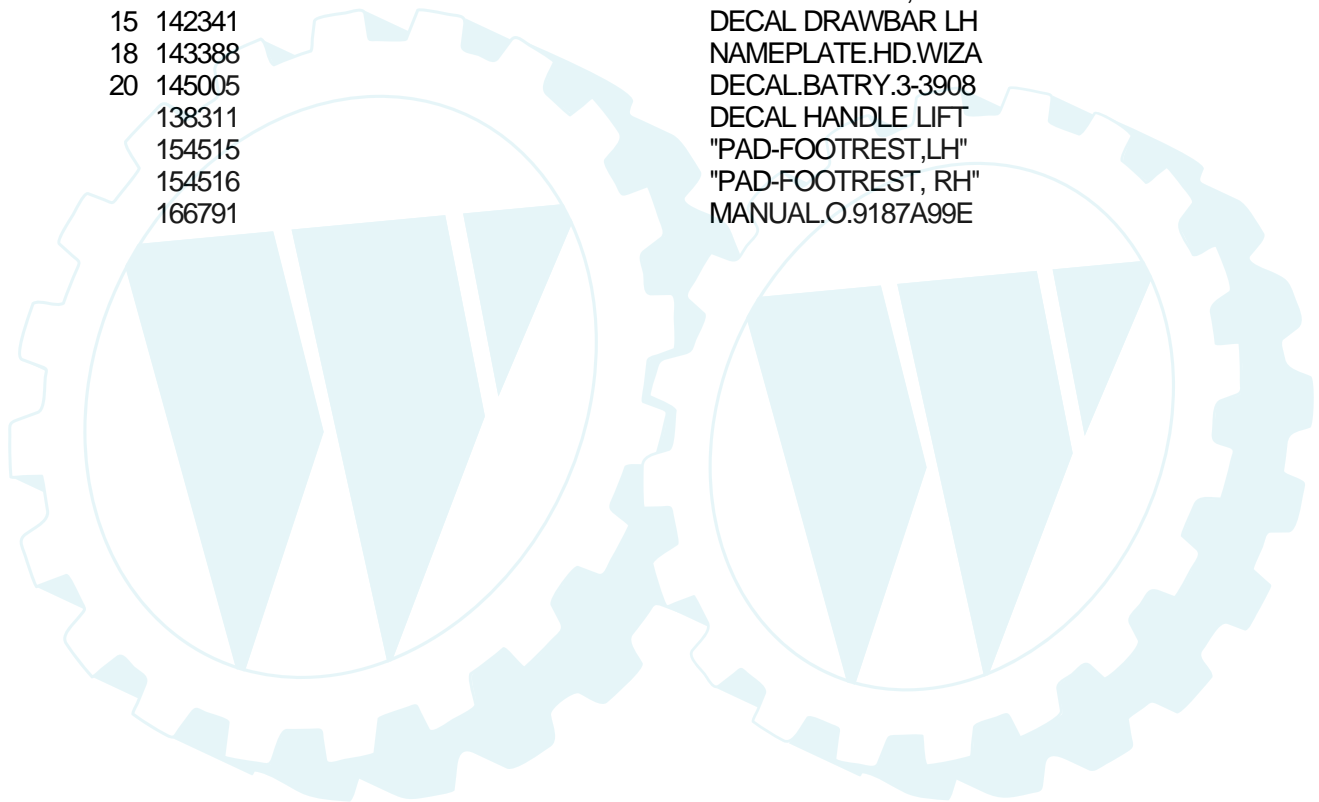
Ref #	Part Number	Qty	Description
1	165583		CHASSIS.STLT
2	140356		SUB= 145009
3	17490612		SCREW
4	19131216		WASHER
5	155272		BUMPER-HOOD/DASH
9	161917X012		DASH
10	72140608		SUB= 72110608
11	155927		"PANEL-DASH,LH"
12	145660		CLIP.TINNERMAN
13	155936		"PANEL-DASH,RH"
14	17490608		SCREW LT
17	159639X418		HOOD.STEEL.ASSY
18	126938X		SUB= 532126938
20	156437		"PLATE-MTG,BATT/FU"
23	124028X		SUB= 532124028
25	19131312		WASHER
26	73800600		NUT
28	157428		GRILL
29	146654X599		GRILLE.LENS
30	151287X418		FEND/FTREST PNT
31	139976		BRACKET SUPT FEND
37	17490508		SCREW LT
38	139886		BRACKET ASM LH
39	139887		BRACKET ASM RH
51	73800400		NUT
52	19091416		WASHER
53	144697		BRACKET.GRILLE.LH
54	161464		SCREW.HEX.WS.HD
55	144696		BRACKET.GRILLE.RH
57	74780412		SUB= 74780414
58	162266		AIR DUCT
60	72140606		BOLT
64	154798		DASH-LOWER
74	73680600		SUB= 73690600
140	158418		BRKT SUSPENSION
142	165867		PLATE.REINFORCEMENT
143	154966		"BRKT-S'BAR,CHASSI"
144	154207		BRKT-FOOTREST
145	156524		"ROD POVOT,CHASSIS"

## TRACTOR - - MODEL NUMBER AYP9187A99

### DECALS

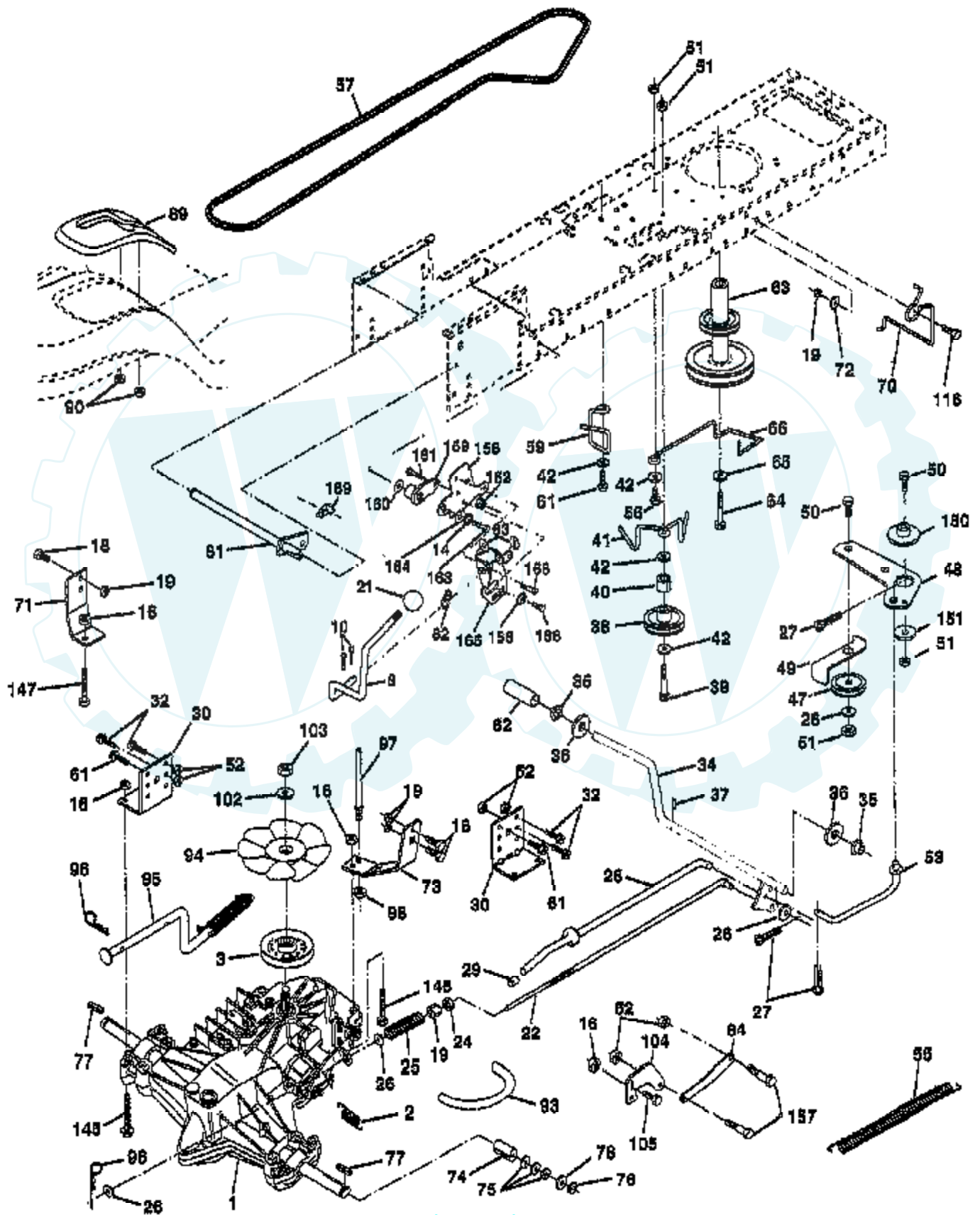


Ref #	Part Number	Qty	Description
1	156811		"DEAL-OPER,INST."
2	143470		DECAL STEER WHL
3	141579		DECAL HOOD RH
4	141580		DECAL HOOD LH
5	165398		DECAL HP ENGINE
6	141583		DECAL DECK MULCH
7	162700		DECAL.FENDER.AUTO
8	141517		DECAL DECK WIZ +
9	127520		NLA
10	157002		"DECAL DANGER,FEND"
11	150218		DECAL.LENS.WIZARD
12	162550		DECAL PANEL SIDE
13	143349		"DECAL.CHASSIS.42""
14	160396		"DECAL-SCHEM,BELT"
15	142341		DECAL DRAWBAR LH
18	143388		NAMEPLATE.HD.WIZA
20	145005		DECAL.BATRY.3-3908
	138311		DECAL HANDLE LIFT
	154515		"PAD-FOOTREST,LH"
	154516		"PAD-FOOTREST, RH"
	166791		MANUAL.O.9187A99E



# TRACTOR - - MODEL NUMBER AYP9187A99

## DRIVE



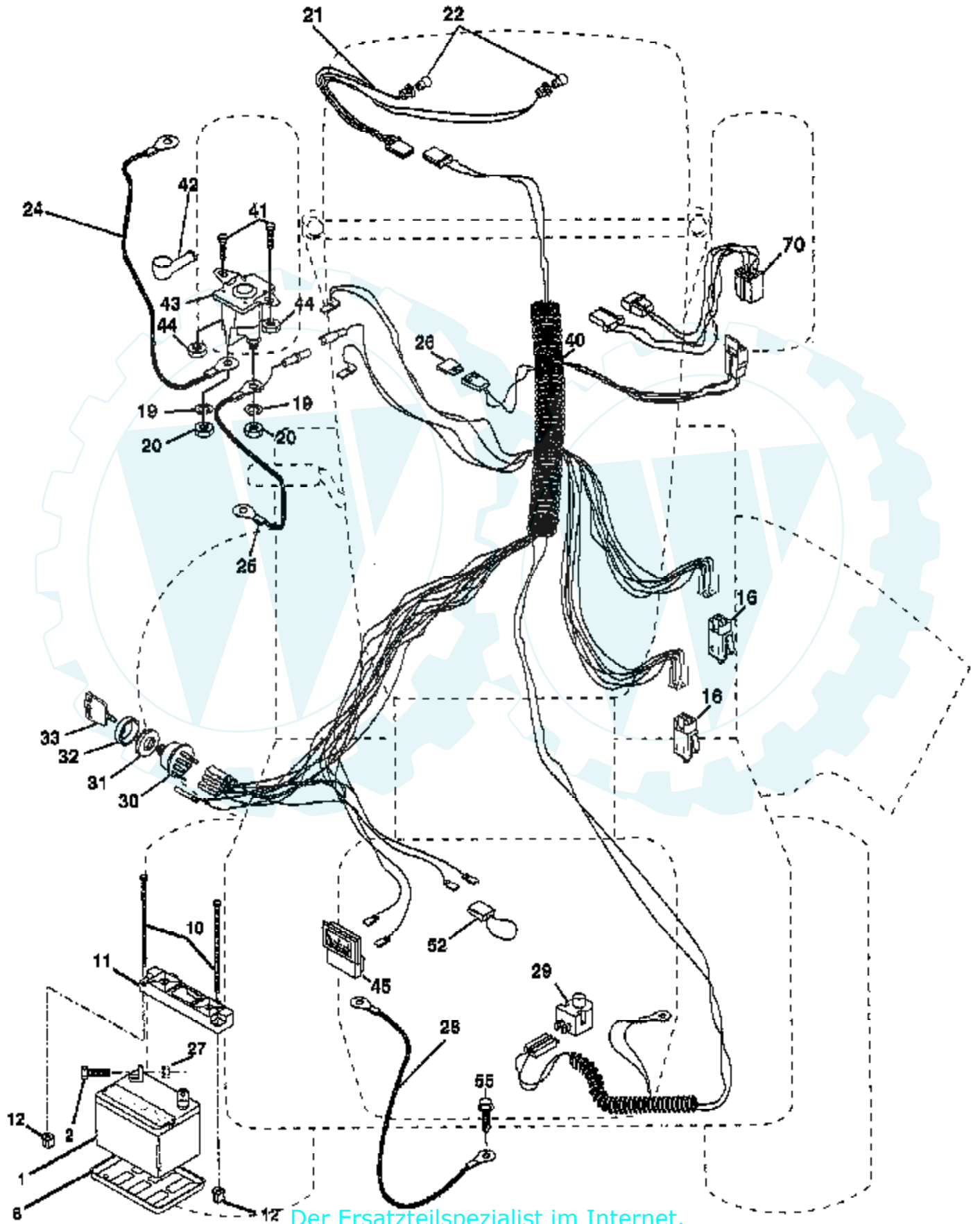
Ref #	Part Number	Qty	Description
1	PARTSIMAGE		REFER TO PARTS IMAGE
2	142431		SPRING RET BRAKE
3	143995		PULLEY.TRANSAXLE
8	165866		RODL.SHIFT.FEND.ADJ.STLT
10	76020416		PIN COTTER 1/8
14	10040400		LOCKWASHER
16	73800500		NUT
18	74780616		BOLT
19	73800600		NUT
21	106933X		KNOB T (1/2-HOLE)
22	145627		ROD.BRAKE.HYDRO.
24	73350600		NUT
25	106888X		SPRING ROD LT
26	19131316		WASHER
27	76020412		COTTER PIN
28	145204		ROD.BRAKE.PARK.LT
29	124236X		CAP
30	130807		TRANSAXLE MTG BKT
32	74760512		BOLT
34	155071		SHAFT ASM-PEDAL F
35	120183X		NYLON BEARING
36	19211616		WASHER LT
37	1572H		SUB= 2882J
38	131494		FLAT IDLER PULLEY
39	74760644		BOLT
40	4470J		SPACER T
41	165838		"KEEPER,BELT.IDLER FLAT"
42	19131312		WASHER
47	127783		SUB= 139245
48	154407		BELLCRANK.CLUTCH
49	123205X		RETAIN BELT
50	74760624		SUB= 74930624
51	73680600		SUB= 73690600
52	73680500		SUB= 73690500
53	105710X		"LINK, CLUTCH T"
55	105709X		"SPRING, RETURN LT"
56	74760620		SUB= 74780620
57	140294		"BELT.GD DRV 82""
59	140312		KEEPER BELT CNTSP
61	17490612		SCREW
62	8883R		PEDAL COVER T
63	140186		PULLEY.ENGINE
64	71170764		BOLT
65	10040700		LOCKWASHER
66	154778		KEEPER-BELT
70	134683		KEEPER BELT ENG
71	140158		STRAP TORQ LH HYD
72	19132012		WASHER
73	156347		"STRAP-TORQUE,RH"
74	121199X		SPACER SPLIT
75	121749X		WASHER
76	12000001		E-RING LT
77	123583X		SQUARE KEY
78	121748X		WASHER
81	165591		SHAFT.ASM.CROSS
82	165711		SPRING.SHIFT.STLT.GREY
83	19171216		WASHER
84	165815		LINK.TRANSAXLE.LT/YT

Ref #	Part Number	Qty	Description
89	164890X428		CONSOLE.SHIFT
90	124346X		NUT
93	142564		"LINE FUEL HYD 4""
94	140462		"FAN 7"" HYDRO"
95	144643		SUB= 918144643
96	4497H		RETAINER M
97	140469		BOLT KEEPER RH
98	73510600		NUT
102	141322		WASHER BELLEVILLE
103	73940800		SUB= 73360800
104	140156		ARM CONTROL HYDRO
105	71070516		SCREW CAP 5/16-18
116	72110610		BOLT RDHD 3/8-16
145	74490540		BOLT.HEX.FLGHD
146	74490536		BOLT.HEX.FLGHD.
147	74490524		BOLT.HEX.FLGHD
150	165850		BUSHING.BELLCRANK.GRD.DR
151	19133210		WASHER
156	166002		WASHER.SRRTD.5/16
157	153236		"BOLT,SHOULDER"
158	165589		BRKT.SHIFT.MOUNT
156	165494		HUB.SHIFT
160	19292016		WASHER
161	72140406		BOLT T
162	73680400		SUB= 73690400
163	74780416		NLA
164	19091010		WASHER.5/8X.281X10GA
65	165623		BRKT.PIVOT.LEVER
166	166880		SCREW.5/16-18X5/8
168	165492		BOLT.SHOULDER.5/16-18X.561
169	165580		PLATE.FASTENING



# TRACTOR - - MODEL NUMBER AYP9187A99

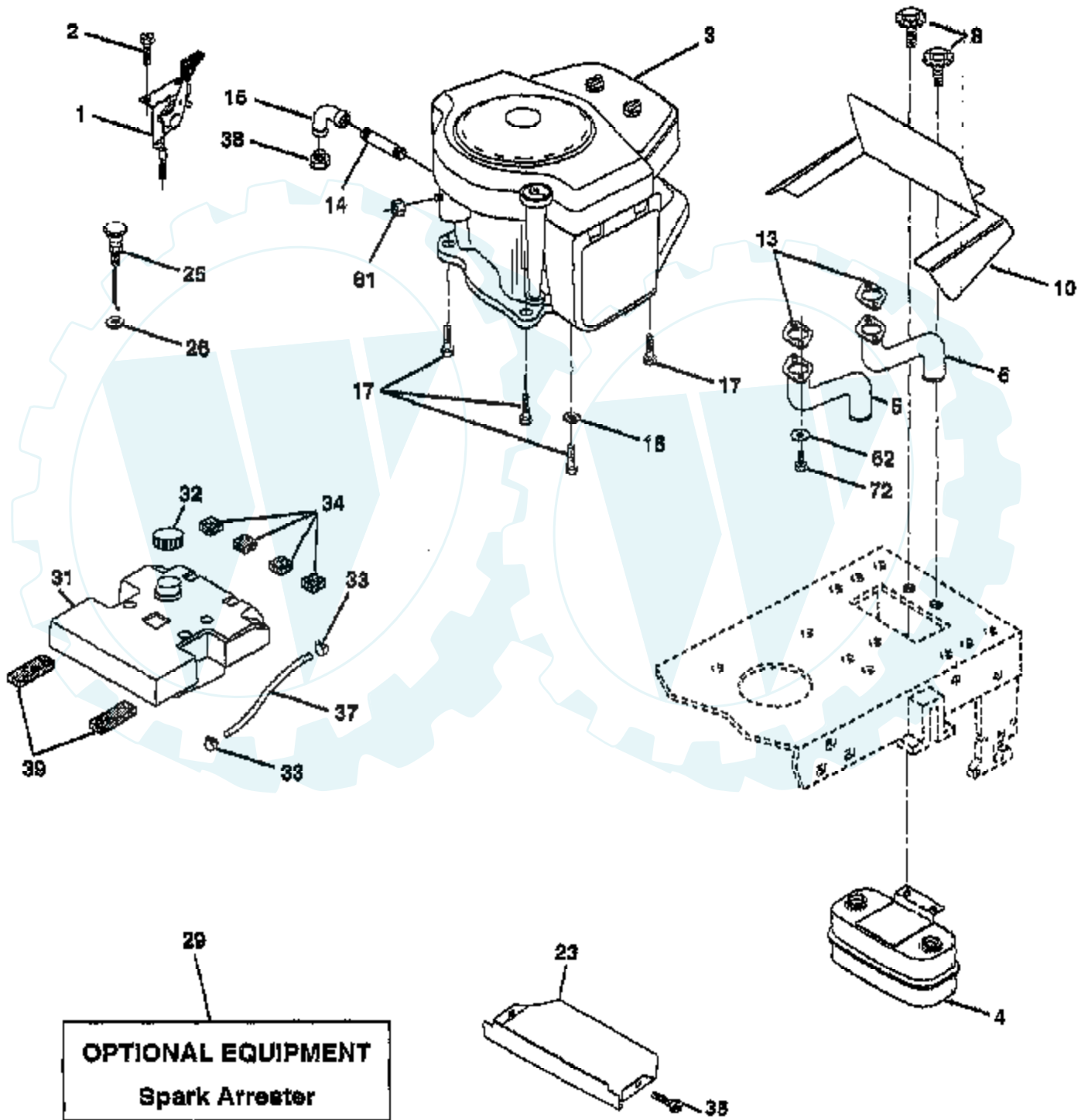
## ELECTRICAL



Ref #	Part Number	Qty	Description
1	163465		SUB= 123899X
2	74760412		BOLT LT
8	7603J		"TRAY T, BATTERY"
10	145211		SUB= 150177
11	150109		HOLDDOWN BATTERY
12	145769		SUB= 150177
16	153664		SWITCH INTERLOCK
19	10090400		SUB= 10040400
20	73350400		NUT
21	166181		HARNES.ASM.LIGHT W/4152J
22	4152J		HEADLAMP BULB
24	4799J		"CABLE T, BATTERY"
25	146148		CABLE.6GA.22W/16W
26	166180		FUSE.15 AMP
27	73510400		NUT
28	145491		CABLE.GRND.6GA.21
29	121305X		SWITCH SEAT
30	140301		SWITCH IGN 4POS
31	124211X		NUT IGNITION
32	141226		COVER KEY SWITCH
33	122147X		KEY
40	166145		HARNES.IGNITION
41	71110408		BOLT HXHD FIN
42	131563		SUB= 154336
43	145673		SUB= 146154
44	73640400		NUT HXKEP 1/4X20
45	121433X		SUB= 122822X
52	141940		PROTECTION LOOP
55	17490508		SCREW LT
70	166659		HARNES.ENGINE.B&S

# TRACTOR - - MODEL NUMBER AYP9187A99

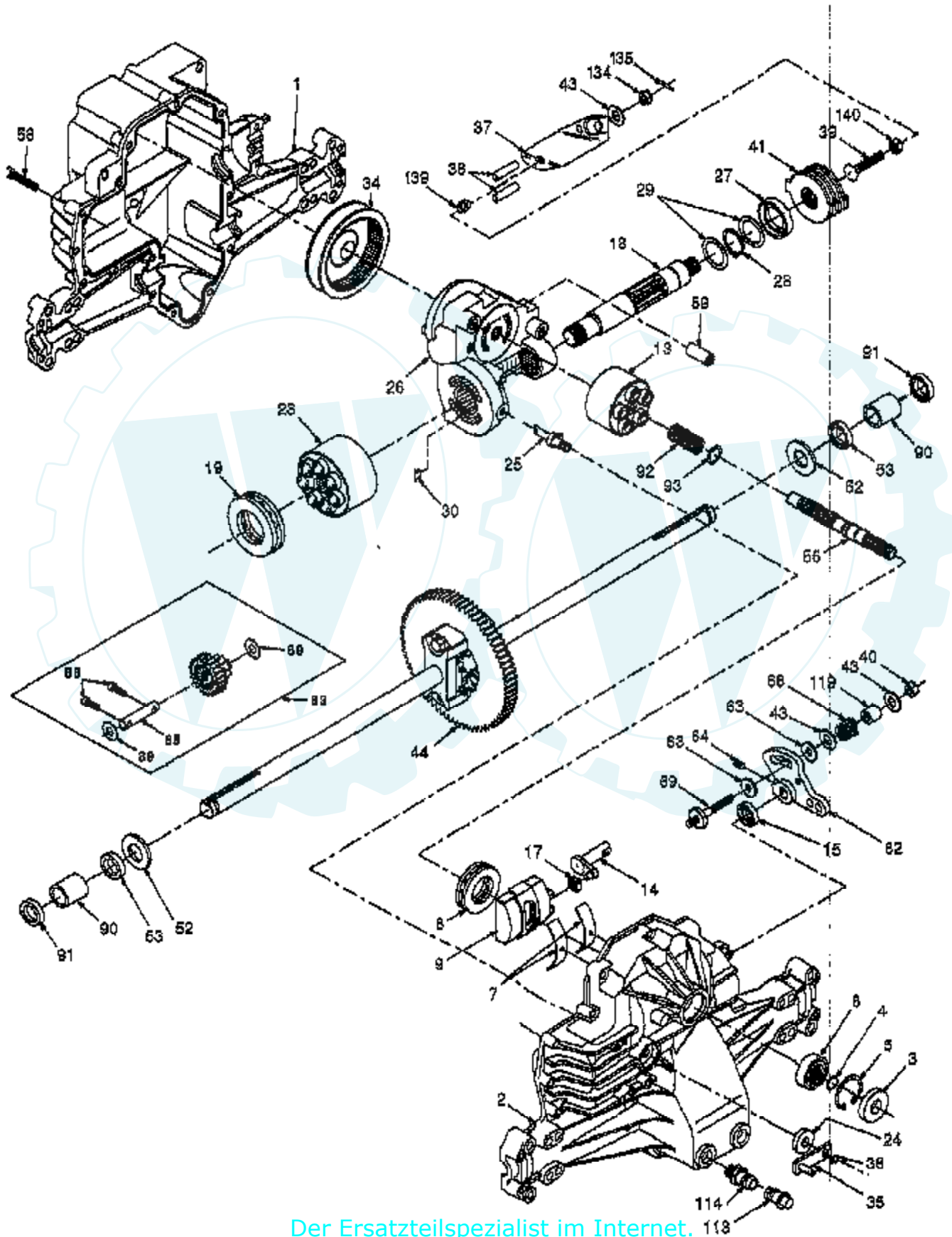
## ENGINE



Ref #	Part Number	Qty	Description
1	148875		CONTROL THROT. LH
2	17720410		SCREW LT
3	PARTSIMAGE		REFER TO PARTS IMAGE
4	149723		MUFFLER.TW.LOTONE
5	160589		TUBE MANIFOLD RH
6	159955		TUBE MANIFOLD LH
7	138129		CLAMP.TUBE.DBL.EN
8	150176		BOLT.5/16-18.UNC
10	162797		SHIELD.BROWNING
13	165391		SUB= 273485
14	13280336		PIPE NIPPLE LT
15	13200300		ELBOW
16	11050600		LOCKWASHER
17	17490624		SCREW LT
23	159880		SHIELD.BRN/DBR.GD
25	145996		CONTROL.CHOKE.37
26	73920600		"NUT,KEPS 3/8-24IM"
29	137180		SUB= 532137180
31	157103		"TANK.FUEL,3.5 GAL"
32	140527		CAP ASM FUEL
33	123487X		HOSE CLAMP
34	106082X		PAD-SPACER LT
35	17490512		SCREW
37	8543R		FUEL LINE T
38	SUPPLIER		CHECK WITH SUPPLIER
39	109227X		PAD IDLER TI
62	10040500		LOCKWASHER
72	71070512		SCREW
81	128861		NUT

# TRACTOR - - MODEL NUMBER AYP9187A99

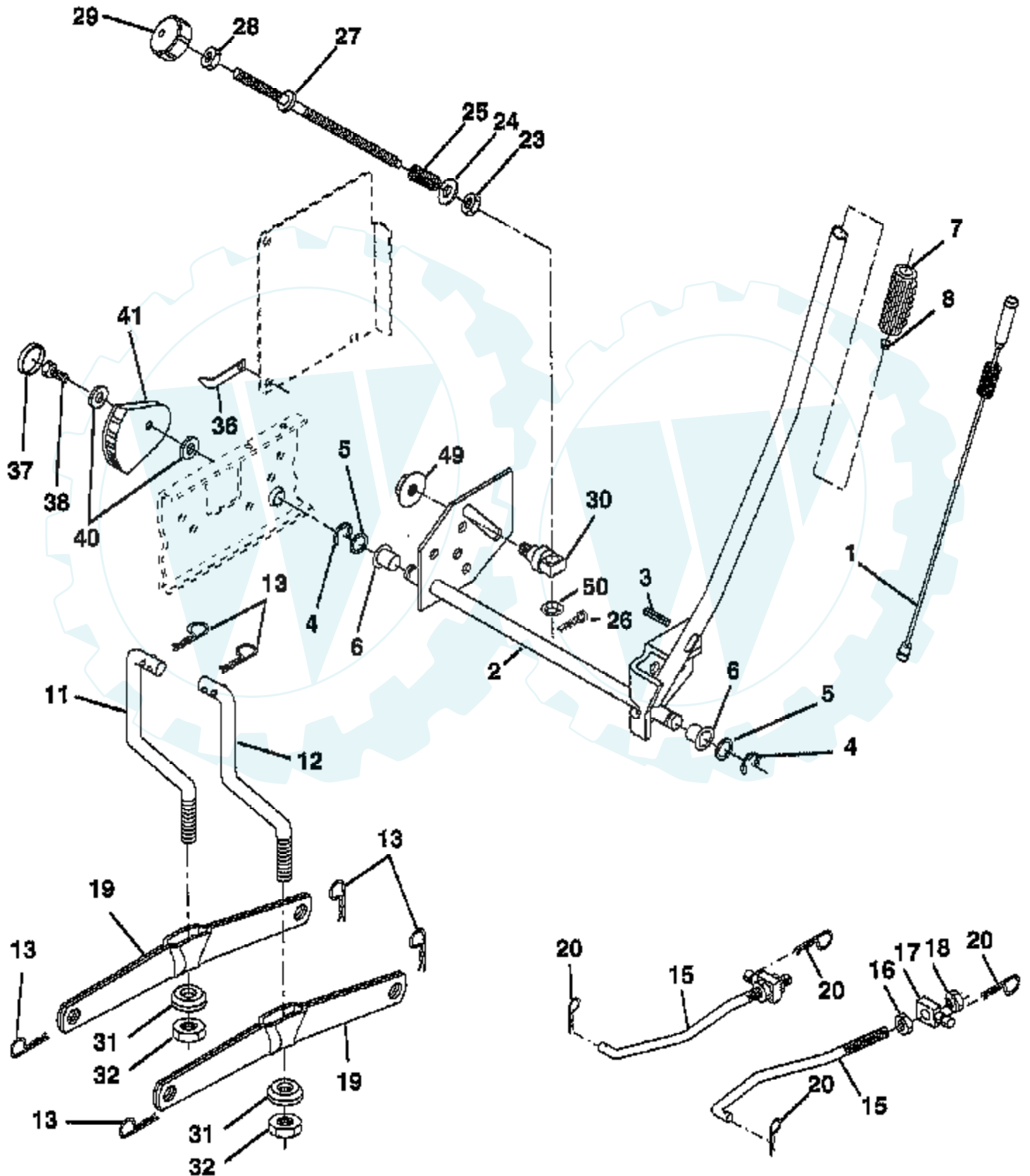
## HYDRO TRANSAXLE - MODEL NUMBER 319-0650



Ref #	Part Number	Qty	Description
1	142930		HOUSING.L.50074RM
2	142931		HOUSING.UP.70125
3	142932		SEAL.9008000-0128
4	142928		RING.RET.2003016.
5	142933		RING.RET.2003052.
6	142934		BEARING.(50552)42X68X16
7	142935		CRADLE- 2003023.
8	150771		BEARING.THU.50551
9	142937		SWASHPLT.2003087.
13	142938		BLOCK.CLYN.70079.
14	142939		ARM.TRUN.2003005.
15	142940		SEAL.9008000-0126
17	142941		GUIDE.2000015.
18	150772		SHAFT.MOTOR.50449
19	150773		BEARING.THU.50552
23	142944		BLOCK.CYLIN.70082
24	142945		SEAL.LIP.45074
25	142946		ACTUATOR.2003555
26	150774		KIT.CEN.SEC.70250
27	142948		SEAL.LIP.45075
28	142949		RING RETAIN 50007
29	142950		WASHER.44872
30	150787		PLATE.BYP.2003554
34	142951		ELEMENT.OIL.44964
35	142952		ARM.BYPASS.50270
36	142953		RING.RETAIN.44870
37	142954		ARM.ACTUAT.23710
38	142955		PIN.ACTUAT.44891
39	150777		BOLT.50316
40	150778		NUT.LOCK.HX.50317
41	142958		KIT.BRAKE.70135
43	142884		WASHER HYD 44130
44	150829		DIFFRENTIAL.70226
52	142991		WASHER.HYD.44875
53	142961		SEAL.HYDRO.45076
56	142963		SHAFT.INPUT.50005
58	142964		BOLT.1/4-20.44876
59	142965		PIN.HYDRO.50002
62	142966		ARM.CONTROL.50254
63	142967		PUCK.DAMPER.50281
64	142920		SCREW.SET.50018.
68	142969		SPRING.HYD.50277
69	144610		STUD.5/16-24.DANA
83	142971		JACKSHAFT/PINION GEAR.70132
85	150806		PIN.SHAFT 50559
88	142973		SCREW.CAP.50154.
89	142974		WASHER.HYD.50132
90	142975		BEARING.SLV.50118
91	142976		SEAL.WIPER.50941
92	142977		SPRING.2003014.
93	142978		WASHER.2003017
113	142917		CAP.VENT.70109
114	142918		O-RING.ASM.70110
119	142980		SPACER.HYD.50278
134	144607		NUT.CAS.HYD.44142
135	144608		PIN.COT.HYD.44101
139	150775		SPRING.COMP.50431
140	150776		NUT.HEX.50269

# TRACTOR - - MODEL NUMBER AYP9187A99

## LIFT

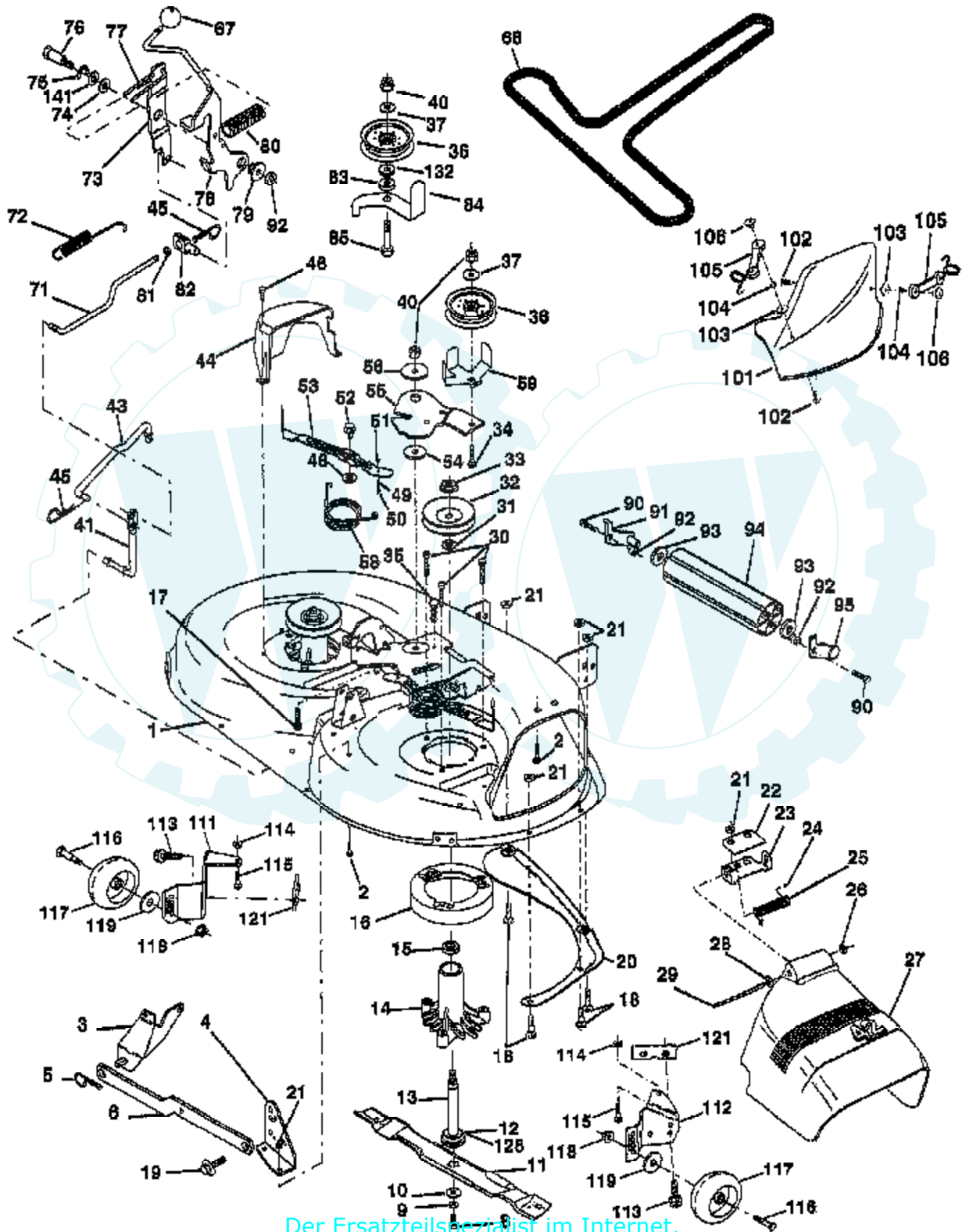


Ref #	Part Number	Qty	Description
1	159460		WIRE ASM W.SPRING
2	159471		"SHAFT ASM LIFT,RH"
3	105767X		PIN-GROOVE LT
4	12000002		SUB= 2225J
5	19211621		WASHER
6	120183X		NYLON BEARING
7	125631X		GRIP HANDLE
8	122365X		SUB= 125925X
11	139865		SUB= 918139865
12	139866		SUB= 151140
13	4939M		SUB= 85902
15	127218		LINK.FRONT
16	73350800		NUT
17	130171		TRUNION
18	73800800		NUT.LK.W/WSH.1/2.
19	139868		ARM SUSP REAR
20	163552		RETAINER SPRING
23	110807X		NUT T
24	19131016		WASHER
25	2876H		SPRING T
26	76020308		SUB= 3145
27	126971X		SUB= 532126971
28	73350600		NUT
29	138057		KNOB INF 3/8-16
30	150233		TRUNNION
31	140302		BEARING PVT LH
32	73540600		NUT.CROWNLOCK.3/8
36	155097		POINTER-INDICAT
37	123935X		"PLUG,HOLE"
38	17490512		SCREW
40	19112410		WASHER
41	155098		INDICATOR HEIGHT
49	145212		NUT.HXFLG.LOCK.
50	110452X		NUT PUSH M



# TRACTOR - - MODEL NUMBER AYP9187A99

## MOWER DECK

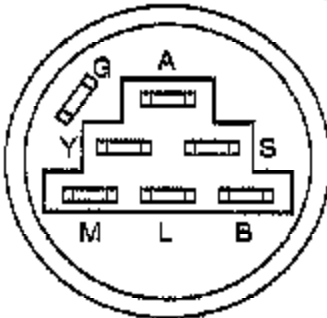
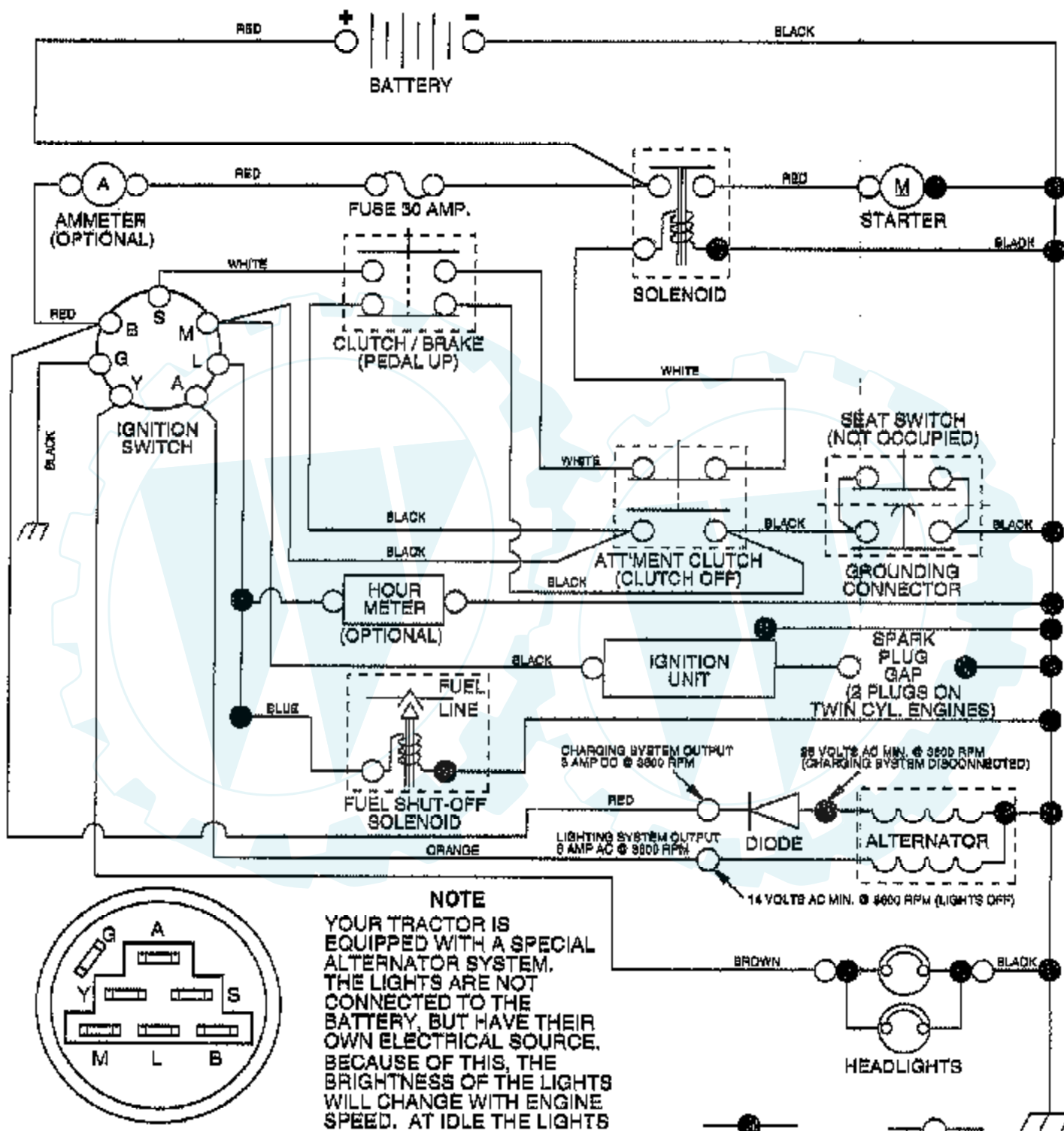


Ref #	Part Number	Qty	Description
1	164961		"HOUSING ASSY.42""
2	72140506		BOLT
3	138017		BRKT ASM SWAY BAR
4	138440		BRKT DECK SW BAR
5	4939M		SUB= 85902
6	130832		SUB= 130833
8	850857		BLADE BOLT
9	10030600		SUB= 10040600
10	140296		WASHER.HARD.BLADE
11	134149		"BLADE.42"" MULCHER"
12	129895		BEARING.BALL
13	137645		SUB= 137646
14	128774		HSG ASM MANDREL
15	110485X		BEARING
16	140329		STRIPPER RND MWR
17	72110610		BOLT RDHD 3/8-16
18	72140505		BOLT
19	132827		BOLT SHD 5/16-18
20	159770		BAFFLE VORTEX 42
21	73680500		SUB= 73690500
22	134753		STIFFENER BRKT
23	131267		DEFLECTOR BRKT
24	105304X		CAP-SLEEVE LT
25	123713X		SPRING TORSION
26	110452X		NUT PUSH M
27	130968		DEFLECTOR.SHIELD
28	19111016		WASHER
29	131491		HINGE ROD
30	157722		"SCREW-THD ROLL,WA"
31	129963		WASHER
32	153535		PULLEY.MANDREL.42
33	137266		SUB= 139729
34	72110614		BOLT
35	133835		XMAS TREE FASTNER
36	131494		FLAT IDLER PULLEY
37	19131316		WASHER
40	73680600		SUB= 73690600
41	133551		PIVOT ROD
43	140083		ROD CLUTCH W/NIBS
44	140088		GUARD MAND LH BLK
45	4497H		RETAINER M
46	137729		SCREW.1/4-20X5/8
48	133944		HARD SMALL WASHER
49	155066		ROLLER ASM-CAM
50	131340		SHOULDER BOLT
51	69180		LOCKNUT
52	139888		BOLT.SHLD.5/16-18
53	131845		BRAKE PAD ARM ASM
54	133943		HARDENED WASHER
55	155046		ARM-IDLER
56	122052X		SPACER RETAINER
58	140086		SPRING TORSN BRAK
59	141043		GUARD IDLER TUV
67	162132		KNOB.RD.7/16-14
68	144200		BELT.V.T-PATH
71	142427		ROD CLUTCH 38/42
72	131870		RETURN SPRING
73	127847		CLUTCH ARM SECOND

Ref #	Part Number	Qty	Description
74	121748X		WASHER
75	12000029		RING
76	128903		SHOULDER BOLT
77	127845		SPRING KEEPER
78	160570		LEVER.ASM.CLUTCH
79	127498		BUSHING
80	153701		SPRING.CLUTCH.MWR
81	73350600		NUT
82	142028		TRUNION ADJ
8.	120958X		WASHER
84	156084		"KEEPER-BELT,FIXED"
85	72140620		BOLT
90	74760616		BOLT
91	132274		SUB= 532132274
92	73800600		NUT
93	19171416		WASHER
94	132264		SUB= 532132264
95	132273		SUB= 532132273
101	136420		"COVER.MULCH.42""
102	71161010		SCREW
103	19061216		WASHER #10
104	10071000		LOCKWASHER
105	160793		LATCH ASSY.BAGGER
106	2029J		WELDNUT
111	155197		BRACKET.GWHL.LH.
112	155198		BRACKET.GWHL.RH.
113	17490512		SCREW
114	73510500		NUT
115	72110504		SUB= 872110504
116	137644		BOLT.SHOULDER
117	133957		WHEEL GAGE DONUT
118	73930600		LOCKNUT
19	19121414		WASHER
121	143723		BRACKET.EXTRD.GWL
128	153390		WASHER.FELT.
129	19131312		WASHER
130	74780616		BOLT
131	72140608		SUB= 72110608
132	19132203		WASHER GT
141	6266H		WASHER .T
	130794		MANDREL ASM
	164963		MOWER.DECK.COMPLETE

# TRACTOR - - MODEL NUMBER AYP9187A99

## SCHEMATIC

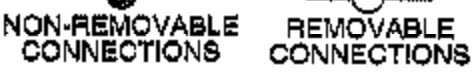


**IGNITION SWITCH**

POSITION	CIRCUIT	"MAKE"
OFF	G + M + L	NONE
RUN/LIGHT	B + L	A + Y
RUN	B + L	NONE
START	B + L + S	NONE

**NOTE**  
YOUR TRACTOR IS EQUIPPED WITH A SPECIAL ALTERNATOR SYSTEM. THE LIGHTS ARE NOT CONNECTED TO THE BATTERY, BUT HAVE THEIR OWN ELECTRICAL SOURCE. BECAUSE OF THIS, THE BRIGHTNESS OF THE LIGHTS WILL CHANGE WITH ENGINE SPEED. AT IDLE THE LIGHTS WILL DIM. AS THE ENGINE IS SPEEDED UP, THE LIGHTS WILL BECOME THEIR BRIGHTEST.

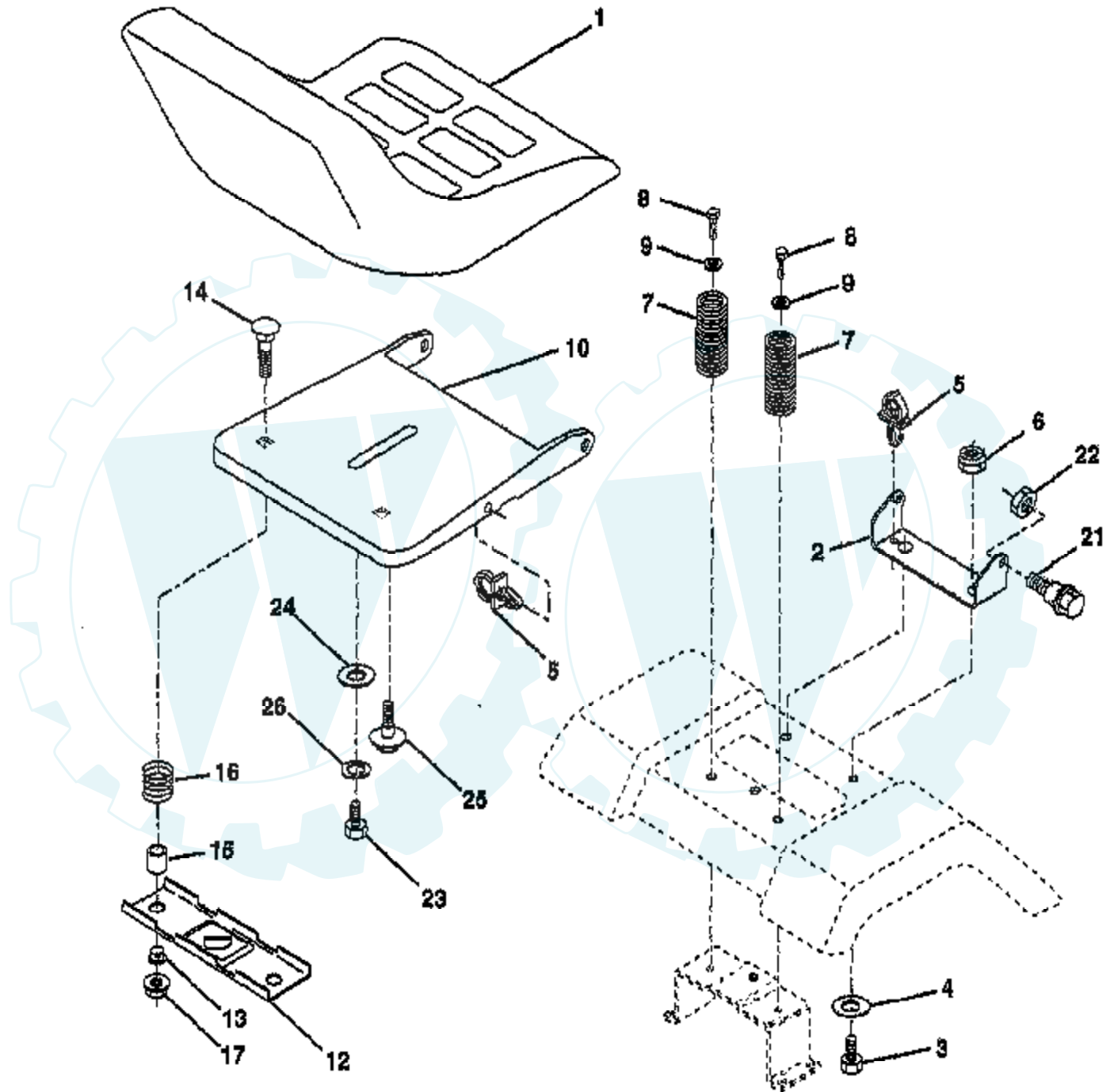
**WIRING INSULATED CLIPS**  
**NOTE:** IF WIRING INSULATED CLIPS WERE REMOVED FOR SERVICING OF UNIT, THEY SHOULD BE REPLACED TO PROPERLY SECURE YOUR WIRING.



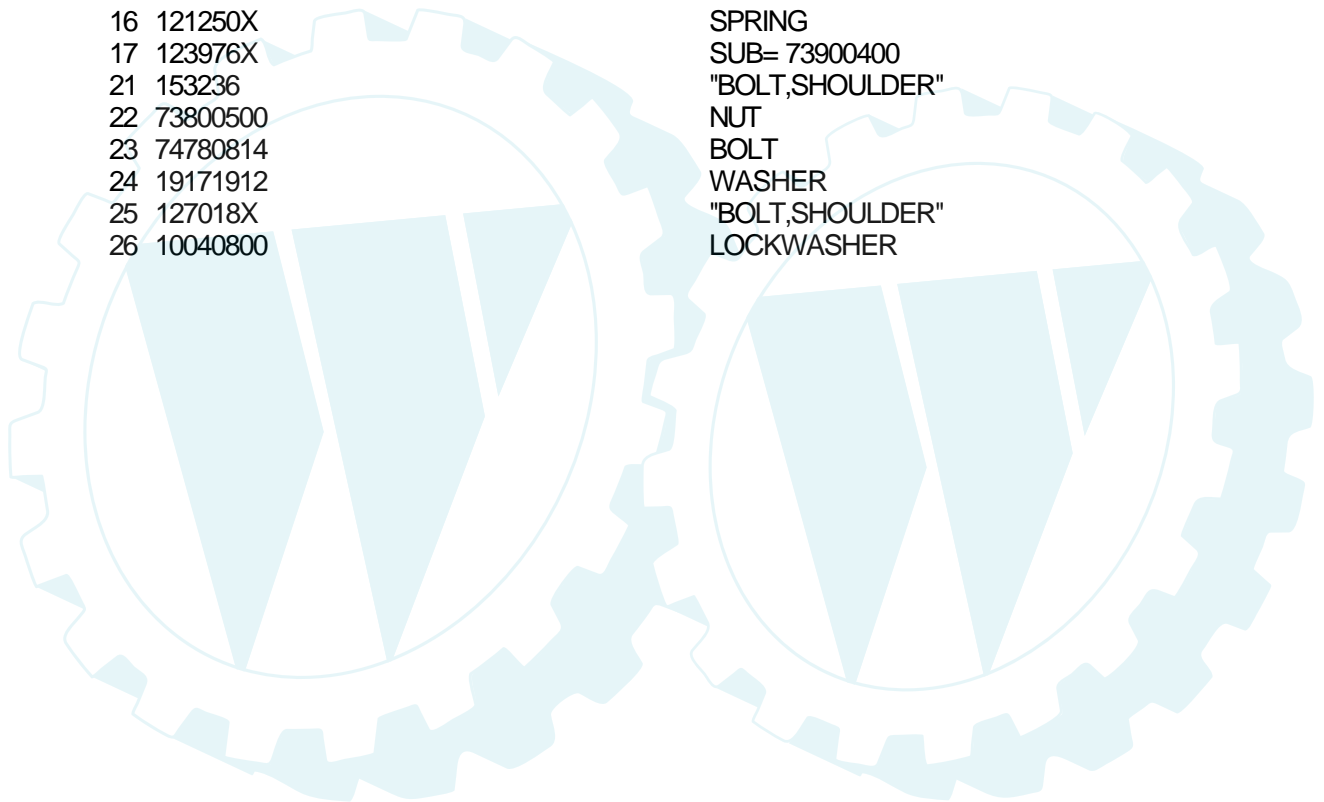
# TRACTOR - - MODEL NUMBER AYP9187A99

## SEAT ASSEMBLY

**NOTE:** All component dimensions given in U.S. inches  
1 inch = 25.4 mm

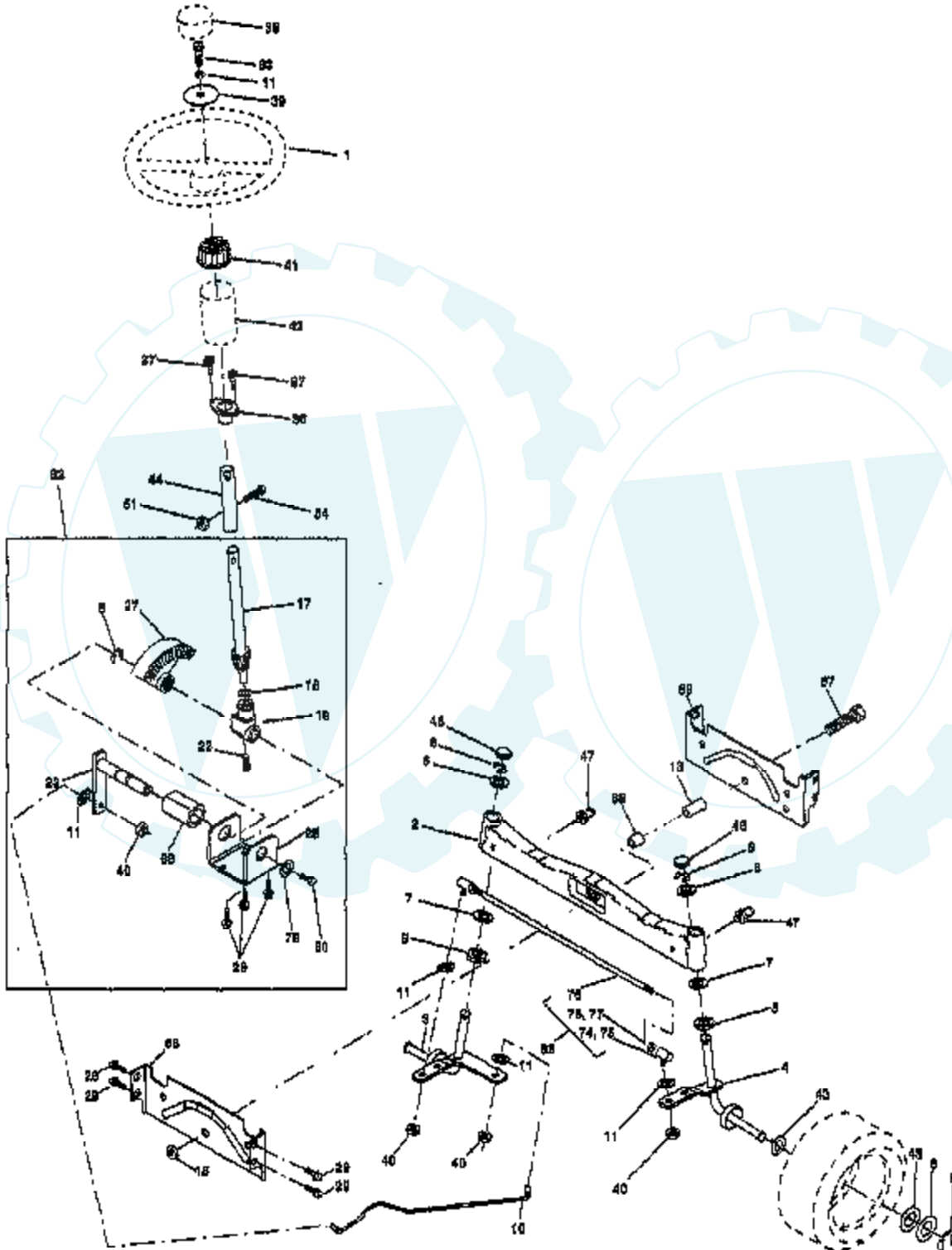


Ref #	Part Number	Qty	Description
1	140117		SEAT.2400/1416.BK
2	140551		BRACKET PVT SEAT
3	74760616		BOLT
4	19131610		WASHER PM
5	145006		CLIP.PUSH-IN.HING
6	73800600		NUT
7	124181X		SPRING COMPRESSIO
8	17490616		SCREW GTV
9	19131614		WASHER
10	155925		PAN-SEAT
12	121246X		BRKT SWITCH
13	121248X		BUSHING
14	72050412		BOLT-RD HD SQ NK
15	134300		SPLIT SPACER
16	121250X		SPRING
17	123976X		SUB= 73900400
21	153236		"BOLT,SHOULDER"
22	73800500		NUT
23	74780814		BOLT
24	19171912		WASHER
25	127018X		"BOLT,SHOULDER"
26	10040800		LOCKWASHER



### TRACTOR -- MODEL NUMBER AYP9187A99

### STEERING ASSEMBLY

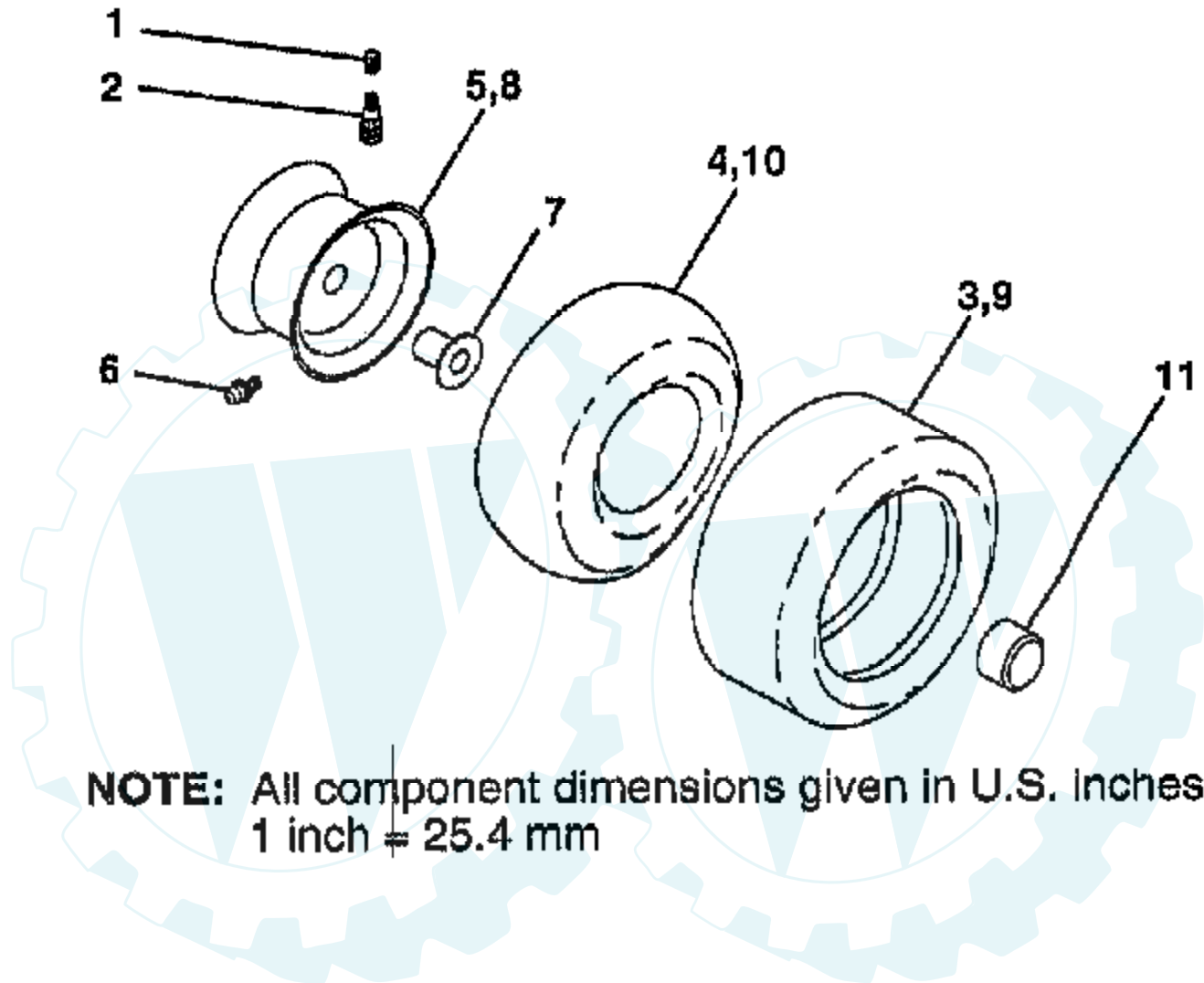


Ref #	Part Number	Qty	Description
1	140044		WHEEL STR AYP BLK
2	137094		SUB= 532137094
3	157479		"SPINDLE ASM,LH"
4	157478		"SPINDLE ASM,RH"
5	6266H		WASHER .T
6	121748X		WASHER
7	19272016		WASHER
8	12000029		RING
10	154432		LINK.DRAG
11	10040600		LOCKWASHER
13	167118		BEARING.FRT.SPACER.AXLE
15	73901000		"NUT-LOC,FLANGE LT"
17	156546		SHAFT ASM STEERIN
18	57099		WASHER THRUST
19	160395		SUPPORT.SHAFT.STEER
22	165857		SCREW.HX.WSH.HD
23	165851		SHAFT.ASM.PITMAN
25	154406		BRKT-STEERING
27	136874		GEAR SECTOR
29	17490612		SCREW
32	137347		ROD.ASM.TIE.BALL
36	155099		BUSHING.STEERING
37	152927		"SCREW-TT,10-32 FL"
38	140045		CAP STEER AYP
39	19133808		WASHER T
40	7810H		GRIPCO NUT
41	100711L		ADAPTER LT
42	145054		BOOT.STEER.PL
43	121749X		WASHER
44	153720		EXT SHAFT STEERIN
46	121232X		CAP
47	6855M		ZERK M
51	73800500		NUT
54	74780520		BOLT
62	167902		KIT.STEER.ASM
63	74780616		BOLT
65	154780		SPACER AXLE
66	154404		"BEARING-ARM,PITMA"
67	74781044		BOLT
68	154429		BRACE AXLE
74	109850X		JOINT.RH
75	109851X		JOINT.LH
76	137156		SUB= 137347
77	73700600		NUT
78	73360600		NUT
79	19132012		WASHER
80	74950612		BOLT.HX.NYLON3/8-16X3/



# TRACTOR - - MODEL NUMBER AYP9187A99

## WHEELS AND TIRES



**NOTE:** All component dimensions given in U.S. Inches  
1 inch = 25.4 mm

Ref #	Part Number	Qty	Description
1	59192		VALVE CAP
2	65139		VALVE STEM LT
3	106222X		SUB= 122073X
4	59904		TUBE.5.3/4.5/6
5	106732X427		"RIM ASM 6"" FRT"
6	278H		FITTING LT
7	9040H		"FLANGE, BEARING"
8	106108X427		"RIM AS 8"" REAR"
9	122082X		SUB= 918122082X
10	7152J		TUBE.18X9.5-8
11	104757X		HUB CAP
	144334		SEALANT.TIRE 10 OZ. TUBE

