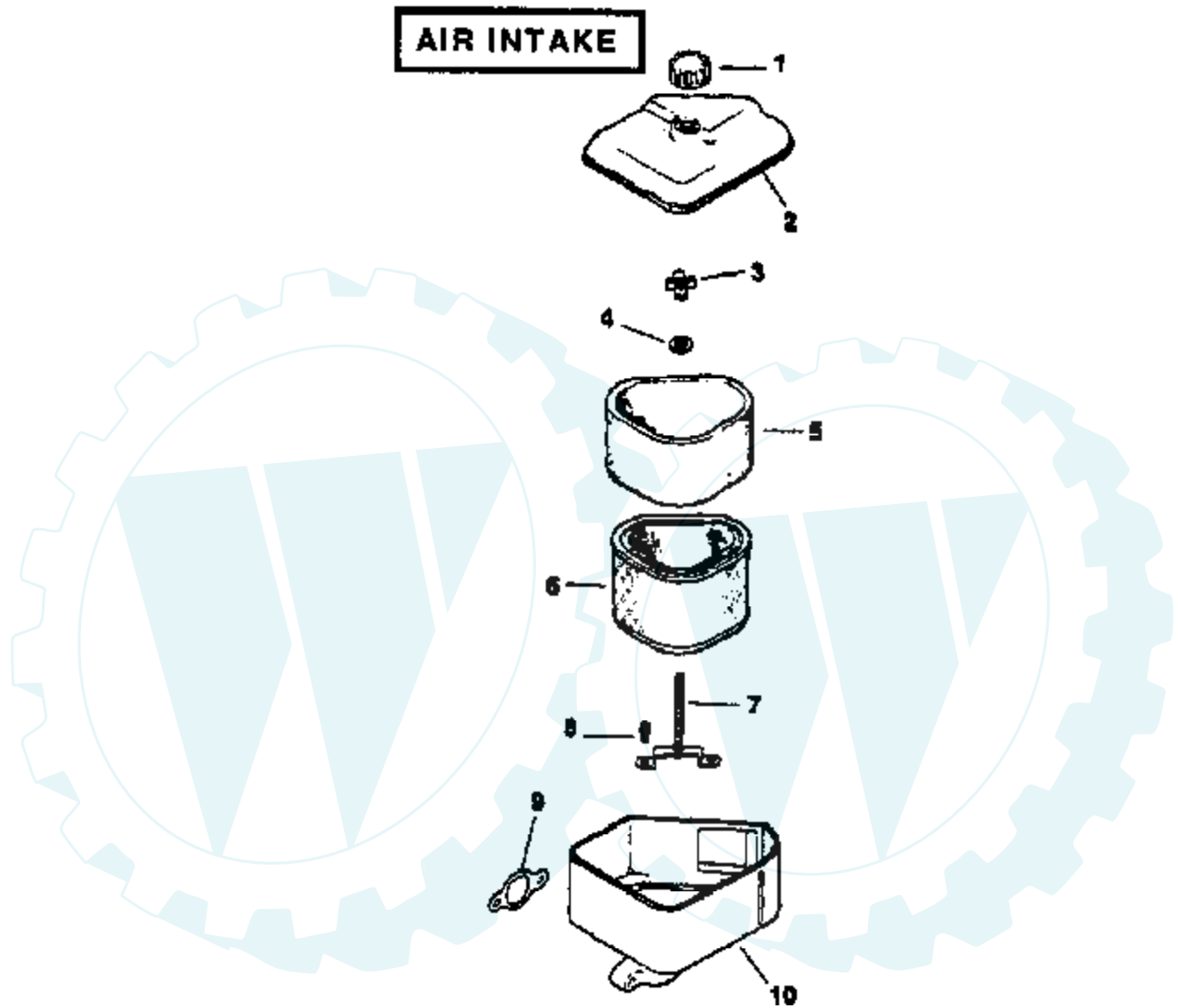


TRACTOR - - MODEL NUMBER 917.252580 KOHLER ENGINE - MODEL NUMBER CV15.5S, TYPE NUMBER PS41508



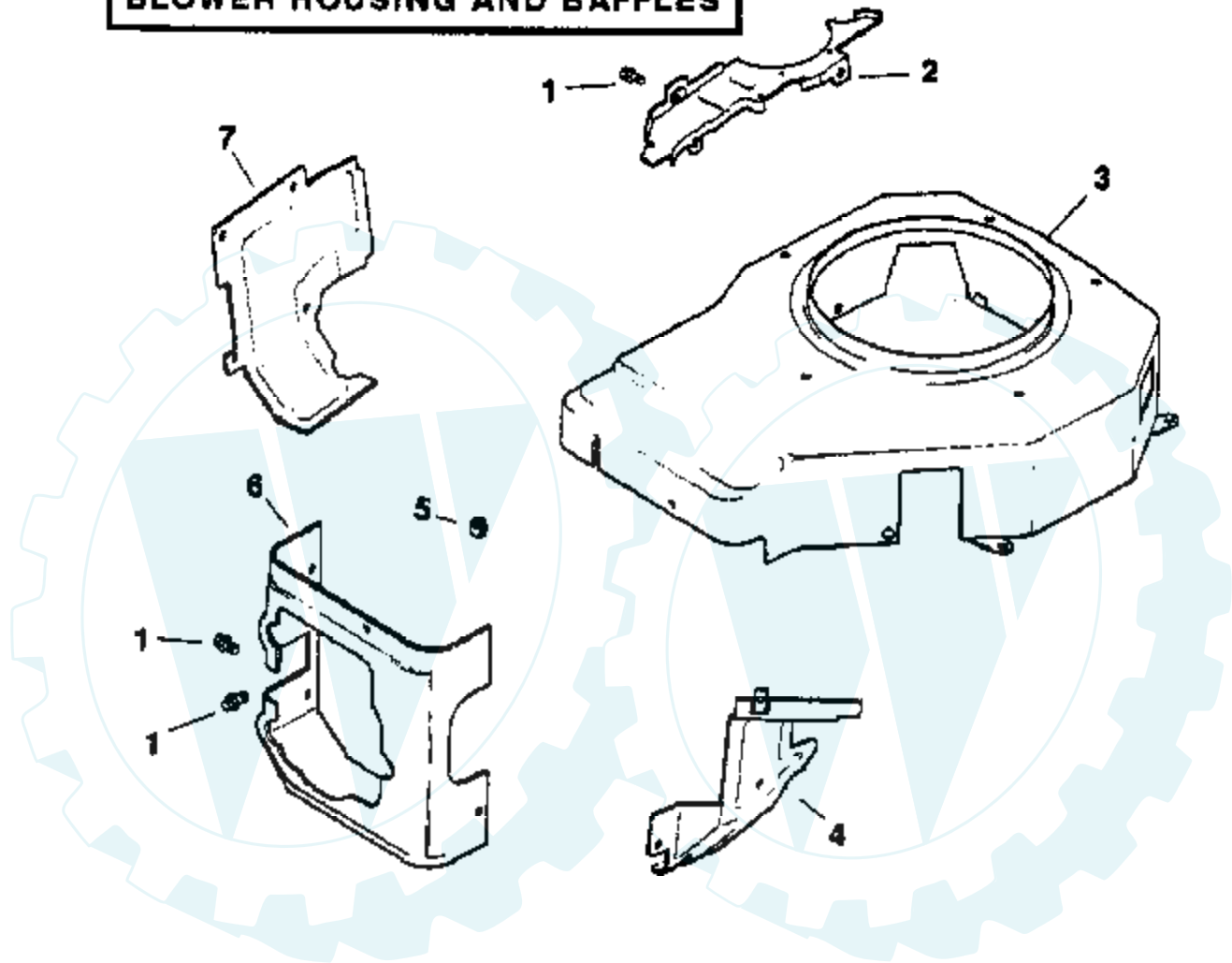
Ref #	Part Number	Qty	Description
1	12-341-01		KNOB, AIR CLEANER COVER
2	12-096-06		COVER, AIR CLEANER
3	12-100-01		WING NUT
4	X-25-63		WASHER, PLAIN 1/4
5	12-083-08		PRECLEANER ELEMENT
6	12-083-05		ELEMENT, AIR CLEANER
7	12-072-03		STUD, MOUNTING PLATE
8	12-086-01		SCREW, MOUNTING PLATE STUD
9	12-041-02		GASKET, AIR CLEANER
10	12-094-01		BASE, AIR CLEANER
	12-113-27		DECAL, AIR CLEANER



TRACTOR - - MODEL NUMBER 917.252580

KOHLER ENGINE - MODEL NUMBER CV15.5S, TYPE NUMBER PS41508

BLOWER HOUSING AND BAFFLES

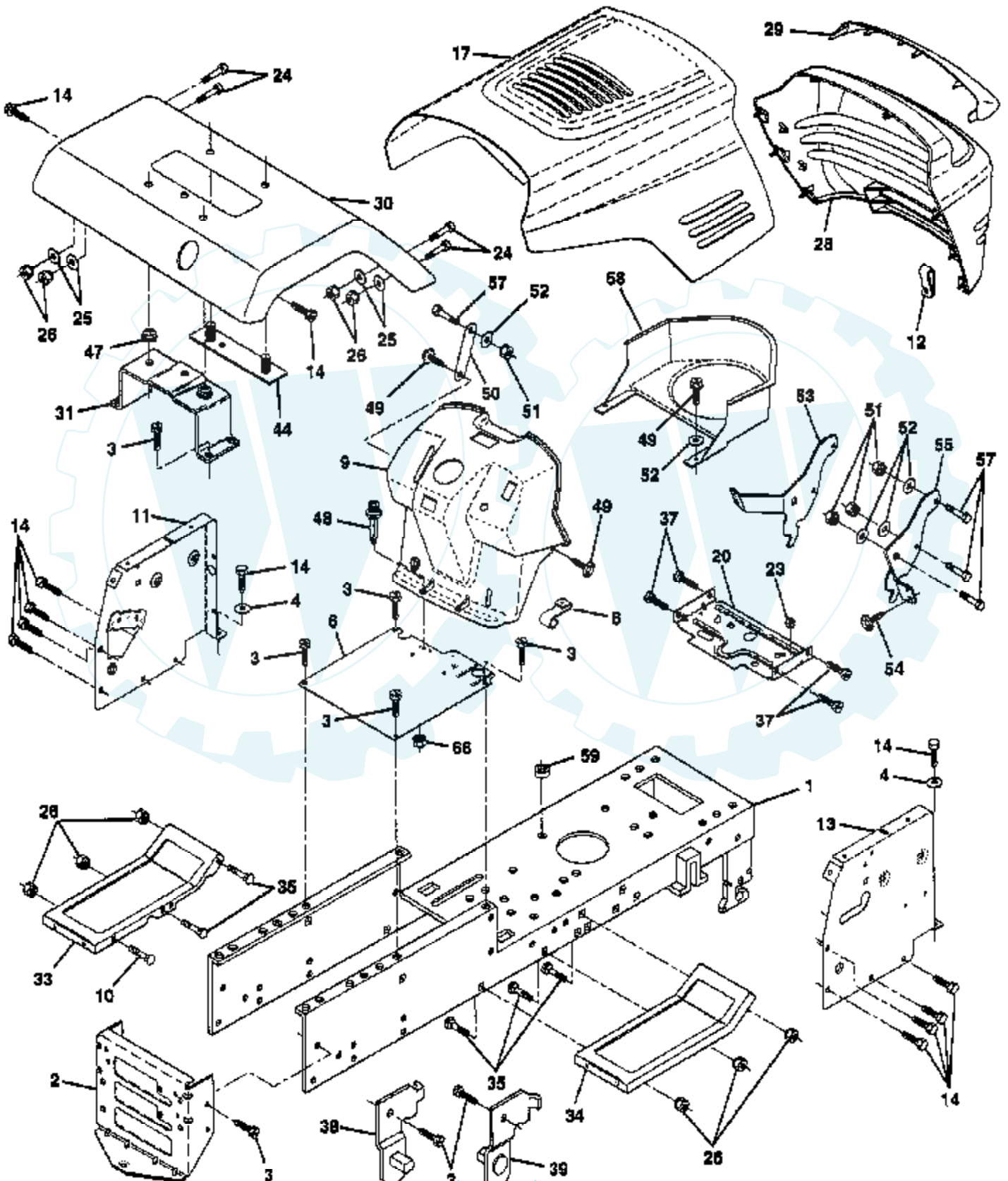


Ref #	Part Number	Qty	Description
1	M-0545010		SCREW, MOUNTING
2	12-146-07		PLATE, BLOWER HOUSING
3	12-027-14		HOUSING, BLOWER
4	12-063-05		BAFFLE, CARBURETOR
5	12-313-03		GROMMET, BLOWER HOUSING
6	12-063-08		BAFFLE, CYLINDER HEAD
7	12-063-01		BAFFLE, CYLINDER
	12-113-51		DECAL, HORSEPOWER



TRACTOR -- MODEL NUMBER 917.252580

CHASSIS AND ENCLOSURES

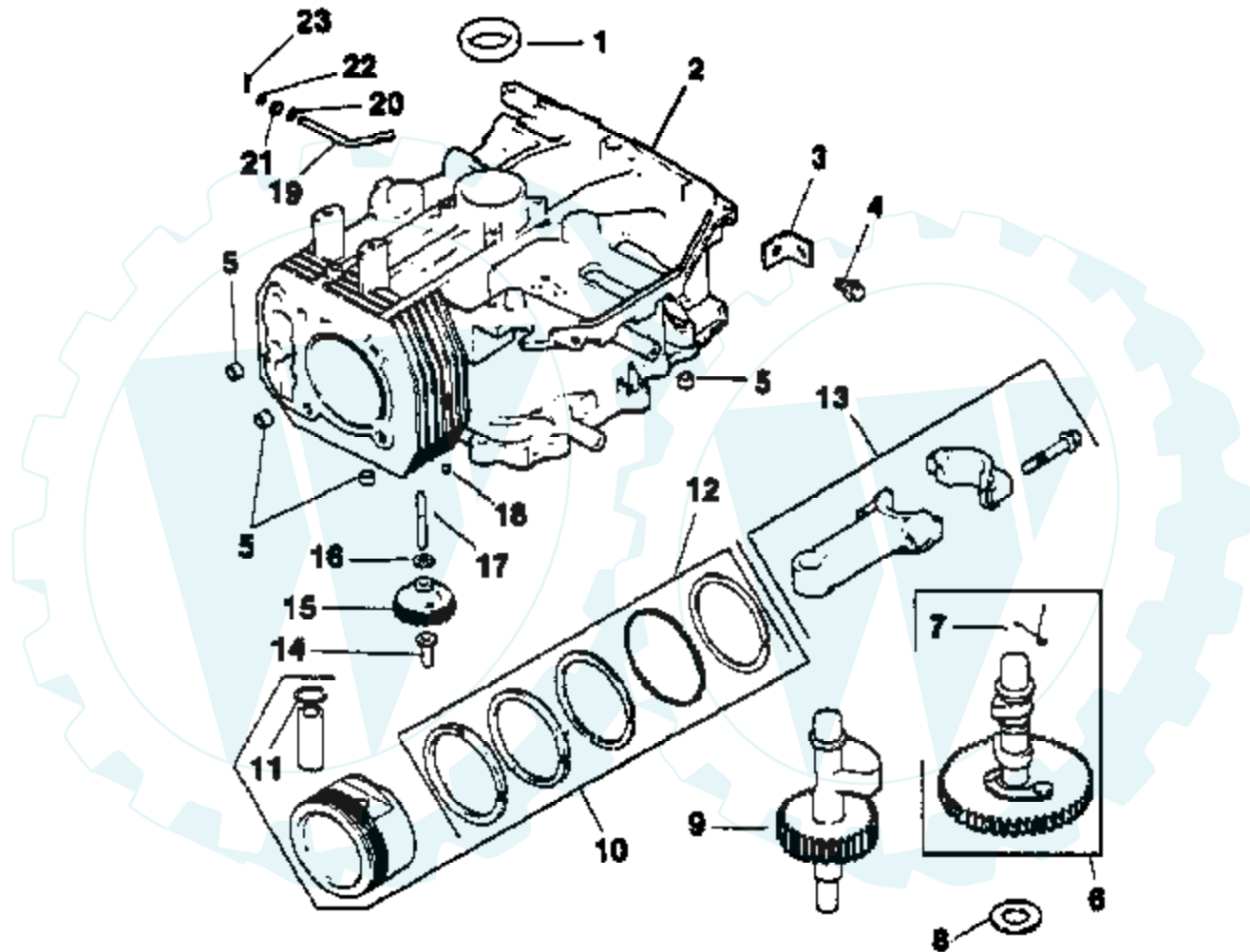


Ref #	Part Number	Qty	Description
1	145501		CHASSIS.WLD.11GA
2	140356		SUB= 145009
3	17490612		SCREW
4	19131216		WASHER
6	145206		SUB= 145206X431
8	126471X		"CLIP,INSULATOR"
9	140621		SUB= 142466
10	72140608		SUB= 72110608
11	135464		DASH PANEL LH
12	145660		CLIP.TINNERMAN
13	126276X		SUB= 155936
14	17490608		SCREW LT
17	144983X459		HOOD.W/SIDE-LOUVS
20	145210		PLATE.MTG.BTRY.TK
23	124028X		SUB= 532124028
24	74780616		BOLT
25	19131312		WASHER
26	73800600		NUT
28	146942		SUB= 145198X459
29	145199		SUB= 918145199
30	140002X459		FENDER PNT
31	137113		BRKT.ASM.FENDER
33	145244X459		FOOTREST.LH.LT-GT
34	145243X459		FOOTREST.RH.LT-GT
35	72110606		BOLT
37	17490516		SCREW TI
38	139886		BRACKET ASM LH
39	139887		BRACKET ASM RH
44	140675		STRAP ASM FENDER
47	105531X		NUT-PUSH YT
48	138096		RIVET.PUSH.PLATE
49	17490412		SCREW HEX CRT
50	142779		BRACE SUPT DASH
51	73800400		NUT
52	19091416		WASHER
53	145201		BRACKET.GRILLE.LH
54	17030814		SUB= 91817030814
55	145202		BRACKET.GRILLE.RH
57	74780412		SUB= 74780414
58	140806		DUCT AIR 12-15H
59	110436X		SUB= 9151R
68	73510400		NUT
100	105037X		FOAM-STRIP LT
	5479J		PLUG BUTTON T

TRACTOR - - MODEL NUMBER 917.252580

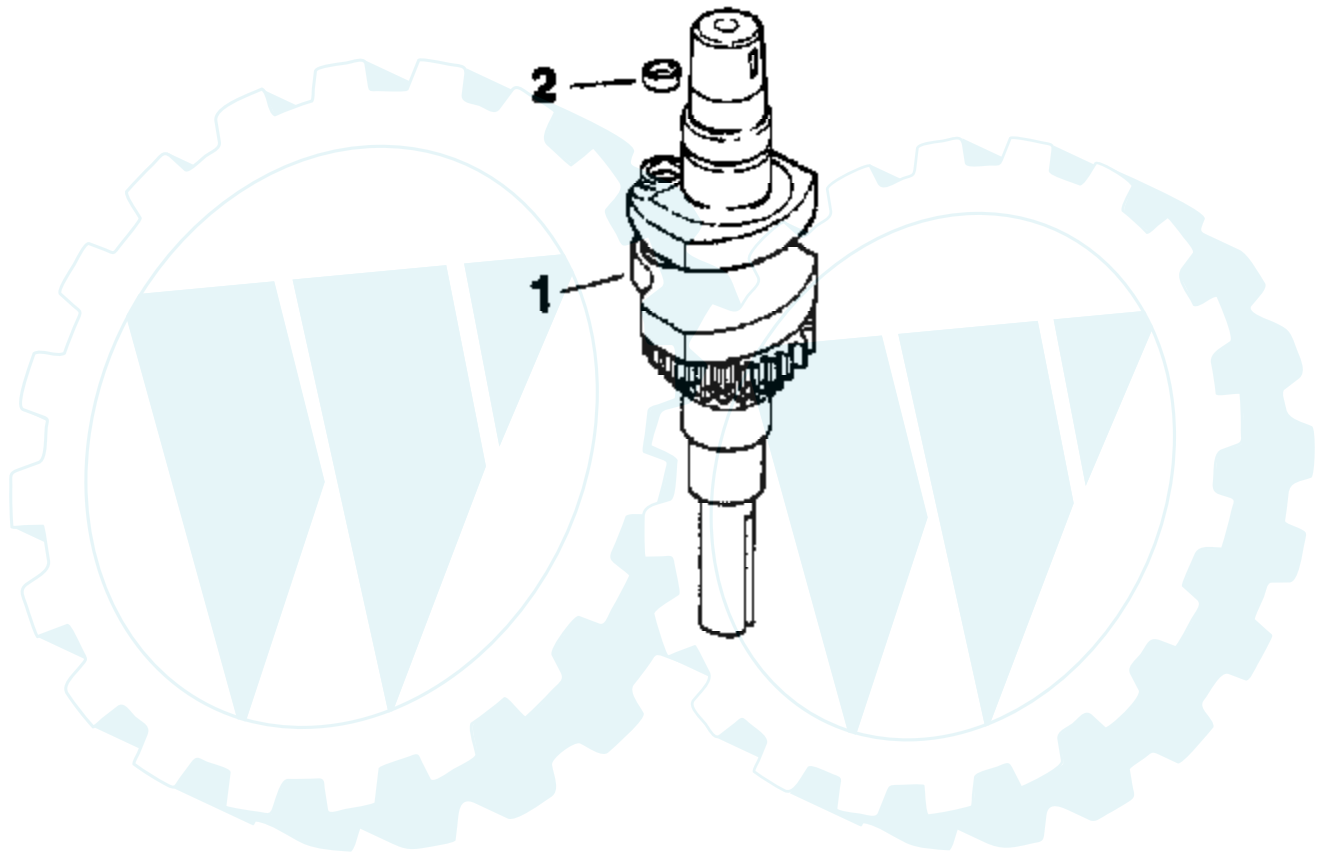
KOHLER ENGINE - MODEL NUMBER CV15.5S, TYPE NUMBER PS41508

CRANKCASE

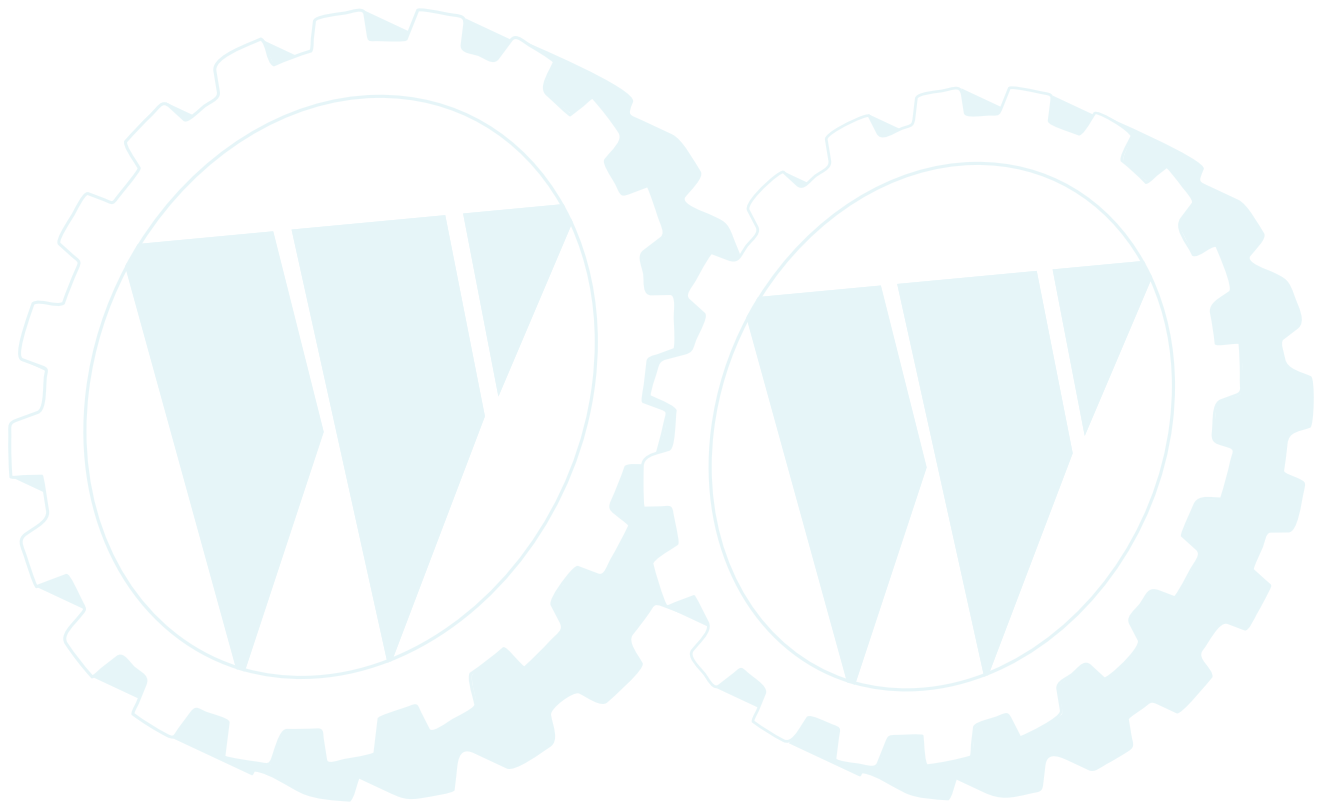


TRACTOR - - MODEL NUMBER 917.252580
KOHLER ENGINE - MODEL NUMBER CV15.5S, TYPE NUMBER PS41508

CRANKSHAFT

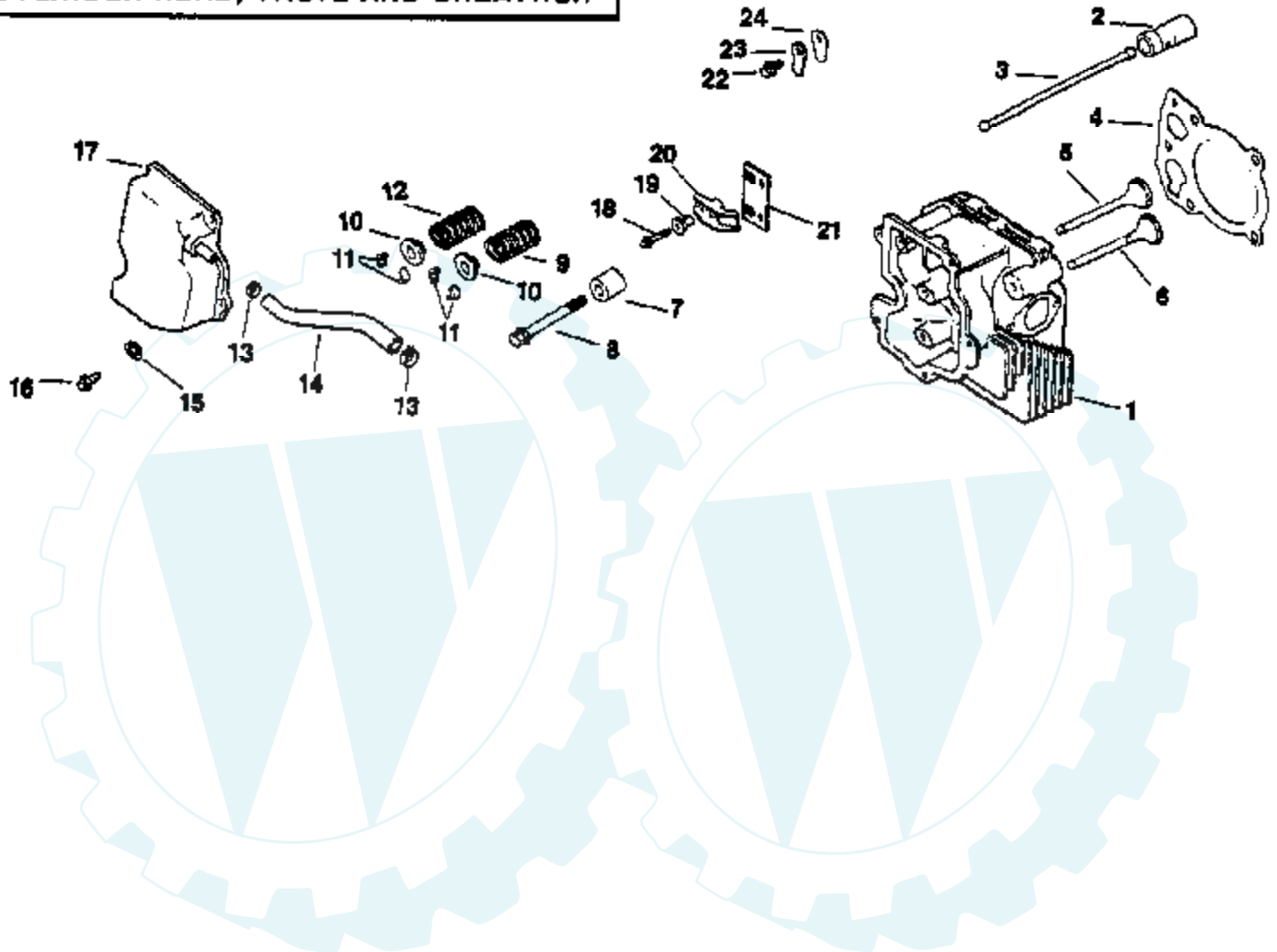


Ref #	Part Number	Qty	Description
1	12-014-02		CRANKSHAFT
2	12-139-01		PLUG, CUP

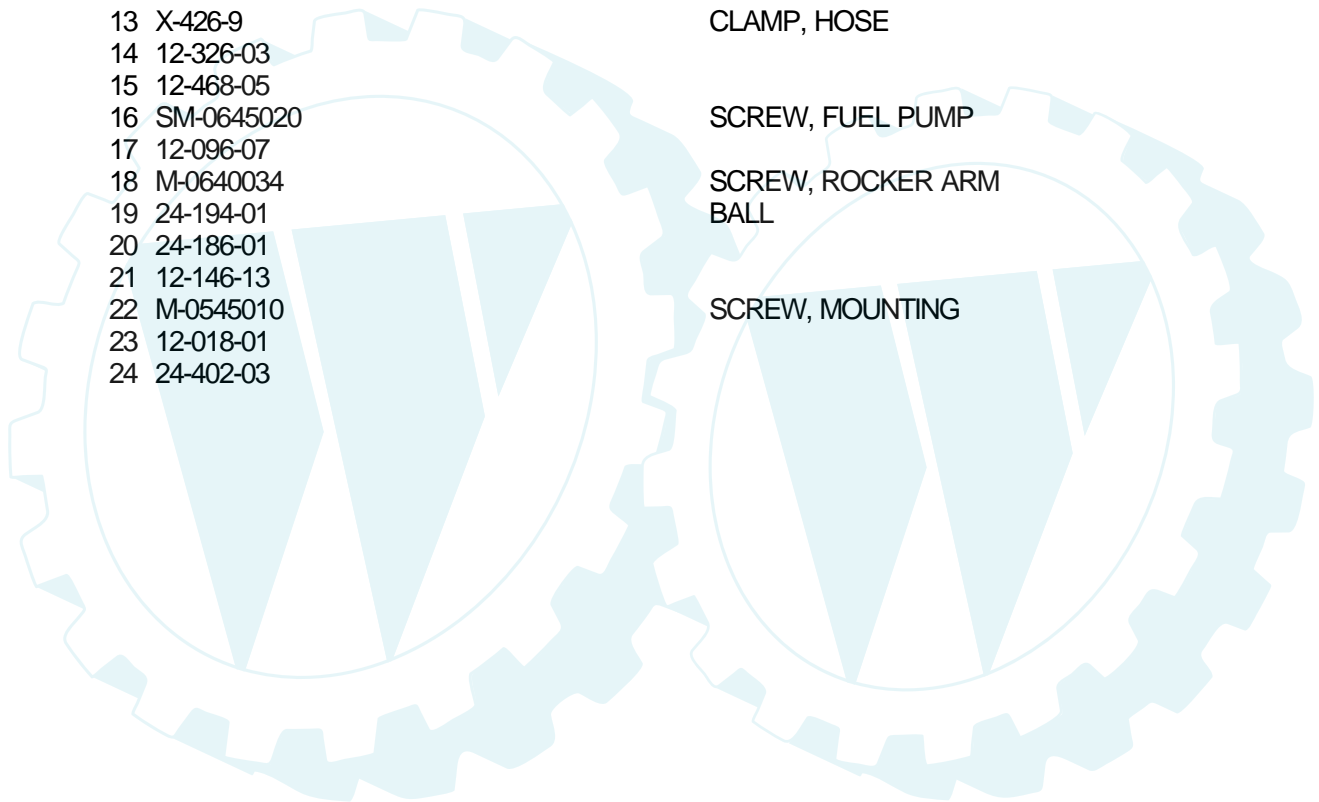


TRACTOR - - MODEL NUMBER 917.252580
KOHLER ENGINE - MODEL NUMBER CV15.5S, TYPE NUMBER PS41508

CYLINDER HEAD, VALVE AND BREATHER

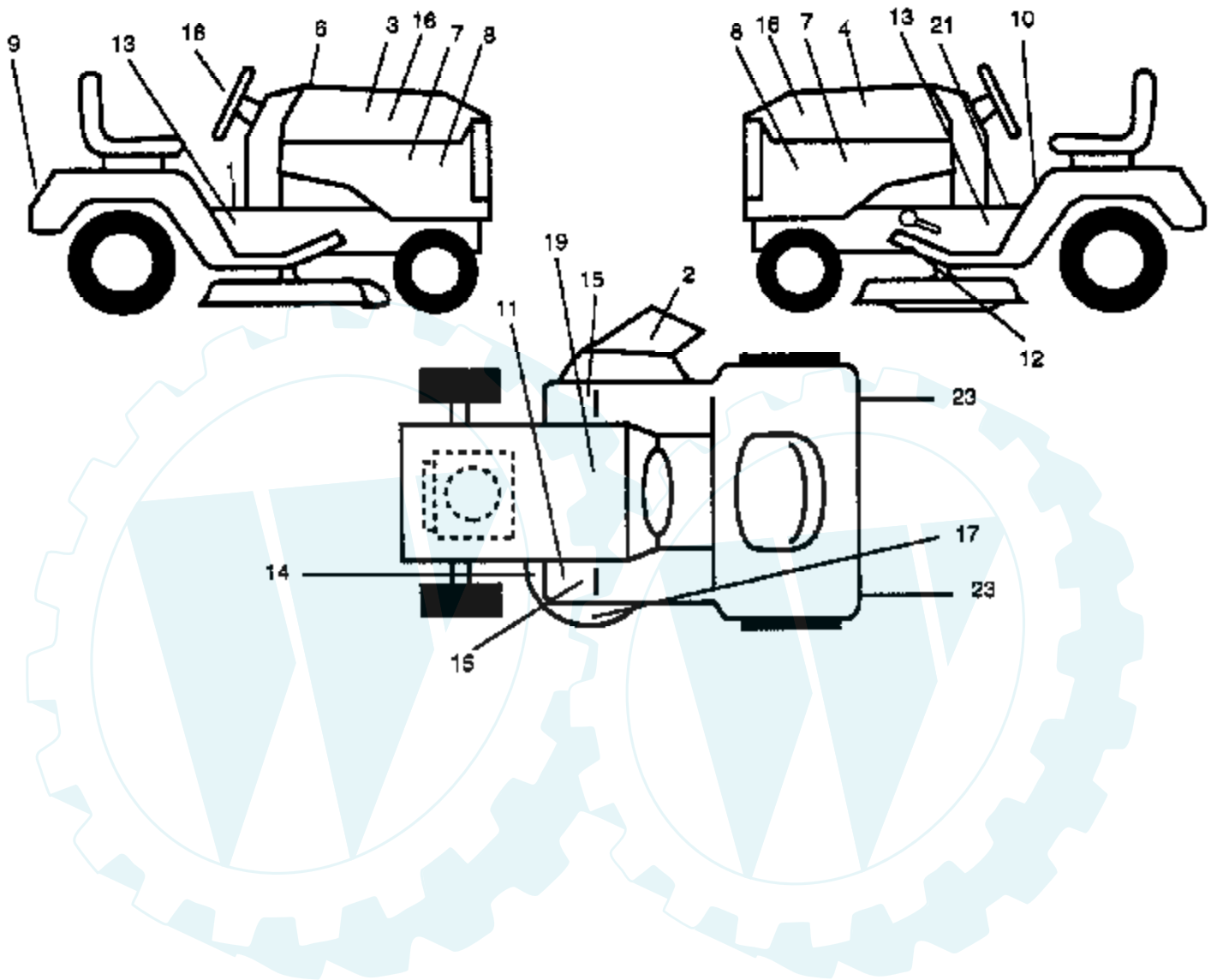


Ref #	Part Number	Qty	Description
1	12-318-02		
2	12-351-01		LIFTER, VALVE
3	12-411-01		
4	12-041-10		
5	12-017-01		
-	12-017-02		
6	12-016-01		
-	12-016-02		
7	12-112-13		
8	12-086-15		
9	12-089-15		
10	12-173-01		CAP, VALVE SPRING
11	12-755-03		KIT, RETAINER
12	12-089-01		
13	X-426-9		CLAMP, HOSE
14	12-326-03		
15	12-468-05		
16	SM-0645020		SCREW, FUEL PUMP
17	12-096-07		
18	M-0640034		SCREW, ROCKER ARM
19	24-194-01		BALL
20	24-186-01		
21	12-146-13		
22	M-0545010		SCREW, MOUNTING
23	12-018-01		
24	24-402-03		



TRACTOR - - MODEL NUMBER 917.252580

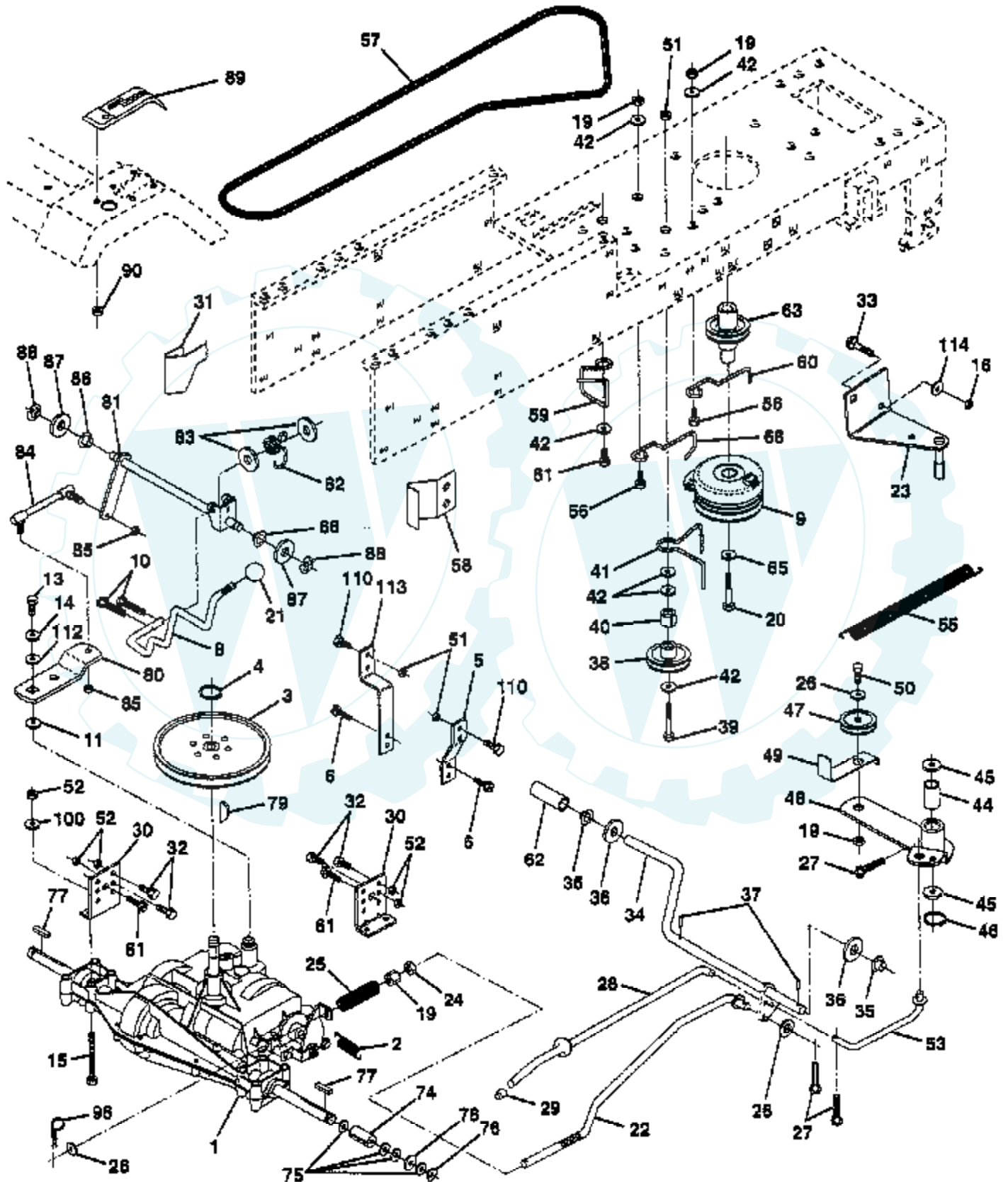
DECALS



Ref #	Part Number	Qty	Description
1	140819		SUB= 156867
2	133178		MOWER DECAL
3	146814		DECAL.HD.RH.CRFT.
4	146815		DECAL.HD.LH.CRFT.
6	133644		DECAL
7	138048		DECAL.PANEL.SIDE
8	142241		DECAL.SIDE.PANEL
9	128314		SUB= 918128314
10	137537		SUB= 156439
11	4900J		DECAL T
12	146046		DECAL.BELT-V.SCHM
13	131473		CHASSIS DECAL
14	136832		DECAL
15	145245		SUB= 918145245
16	143935		DECAL.INS.HD.15.5
17	133179		DECAL MWR QC SYS
18	132266		DECAL.INS.STRG.WH
19	138047		DECAL.BATTERY
21	140837		DECAL BRAK PARK
23	106202X		REFLECTOR-TAIL YT
	138311		DECAL HANDLE LIFT
	145247		FASTNER.POPIN.(8)
	146839		MANUAL, OWNER'S (ENG)
	146840		MANUAL, OWNER'S (SPAN)

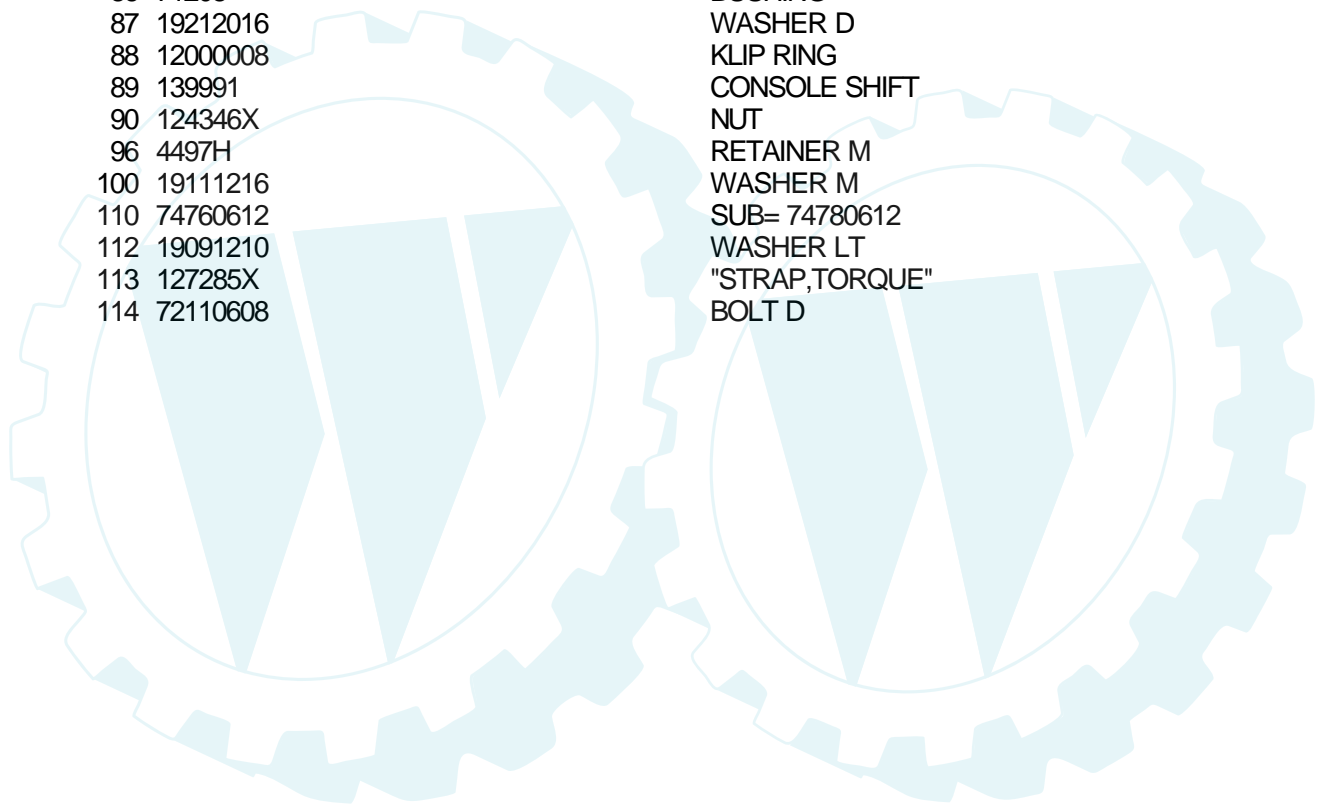
TRACTOR -- MODEL NUMBER 917.252580

DRIVE



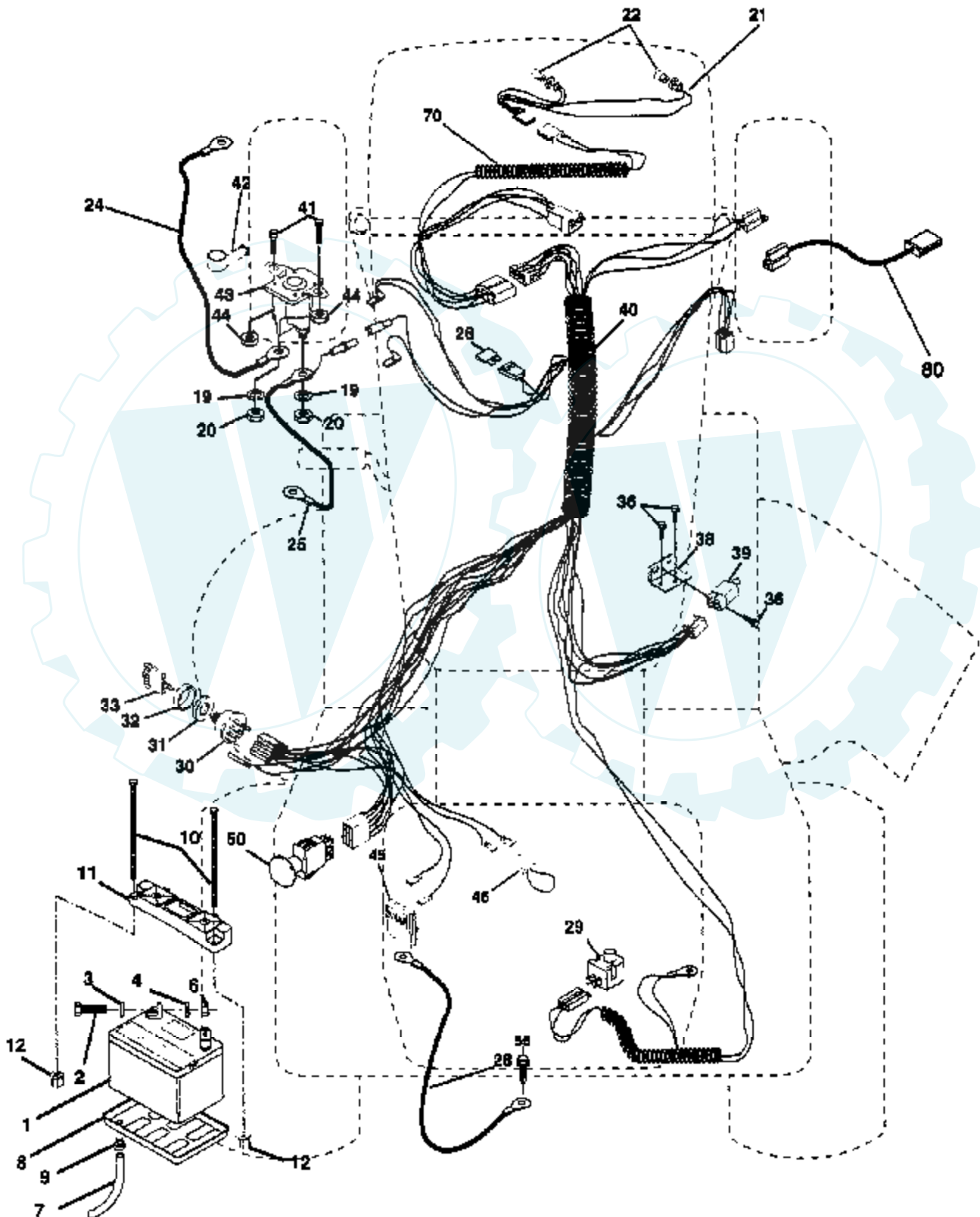
Ref #	Part Number	Qty	Description
1	145602		SUB= 143794691
2	146682		SPRING.BRAKE.RETU
3	123666X		PULLEY TRANS
4	12000028		SUB= 2267J
5	121520X		STRAP TORQUE
6	17490512		SCREW
8	141002		ROD SHIFT FEND YT
9	145028		CLUTCH.ELECT.EVX.
10	STD561210		PIN
11	105701X		WASH-SHFT PLT LT
13	74550412		BOLT.1/4-28.W/PAT
14	STD551125		WASHER
15	74780544		BOLT HEX
16	73800500		NUT
19	73800600		NUT
20	71170768		SUB= 150280
21	106933X		KNOB T (1/2-HOLE)
22	130804		BRAKE ROD
23	140475		SUB= 145411
24	STD541237		NUT
25	106888X		SPRING ROD LT
26	STD551037		WASHER
27	STD561210		PIN
28	145204		ROD.BRAKE.PARK.LT
29	124236X		CAP
30	130807		TRANSAXLE MTG BKT
31	127275X		"KEEPER,BELT LH T"
32	STD523107		BOLT
33	72140506		BOLT
34	122424X		SUB= 149001
35	120183X		NYLON BEARING
36	STD551062		WASHER
37	STD571810		PIN, ROLL
38	123674X		PULLEY.IDLER.FLAT
39	STD523727		BOLT
40	4470J		SPACER T
41	109070X		BELT KEEPER LT
42	19131312		WASHER
44	105706X		"LY, BEARING"
45	110812X		WASHER LT
46	12000039		KLIP RING
47	127783		SUB= 139245
48	123789X		ARM IDLER
49	123205X		RETAIN BELT
50	STD523715		BOLT
51	STD541437		NUT
53	105710X		"LINK, CLUTCH T"
55	105709X		"SPRING, RETURN LT"
52	STD541431		NUT
57	130801		SUB= 138255
58	127274X		"KEEPER,BELT RH T"
59	140312		KEEPER BELT CNTSP
60	121218X		KEEPER BELT ENGLH
61	17490612		SCREW
62	8883R		PEDAL COVER T
63	145868		PULLEY.CLUTCH.EVX
65	STD551143		WASHER
67	74760616		BOLT

Ref #	Part Number	Qty	Description
68	105730X		"KEEPER,BLT ENG LT"
74	137057		SPACER AXLE
75	121749X		WASHER
76	STD581075		E-RING
77	123583X		SQUARE KEY
78	121748X		WASHER
79	2228M		SUB= 2228M1
80	145090		"ARM.SHIFT.20""TIRE"
81	145092		SUB= 156049
82	123782X		"SPRING,TORSION"
83	19171216		WASHER
84	145643		"ROD.TIE.20""P930LT"
85	73530400		NUT 1/4-28
86	71208		BUSHING
87	19212016		WASHER D
88	12000008		KLIP RING
89	139991		CONSOLE SHIFT
90	124346X		NUT
96	4497H		RETAINER M
100	19111216		WASHER M
110	74760612		SUB= 74780612
112	19091210		WASHER LT
113	127285X		"STRAP,TORQUE"
114	72110608		BOLT D



TRACTOR - - MODEL NUMBER 917.252580

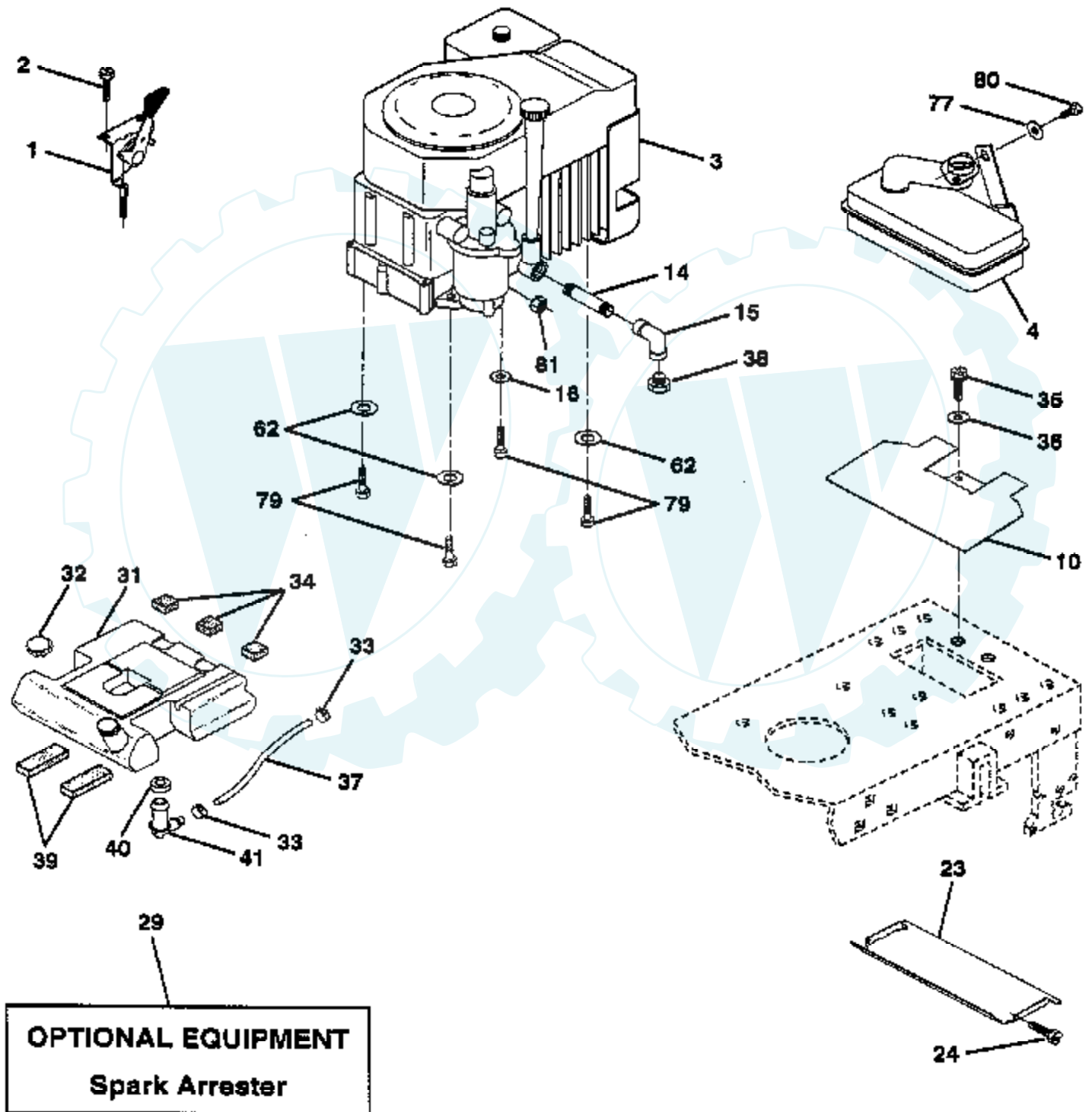
ELECTRICAL



Ref #	Part Number	Qty	Description
1	144926		SUB= 123899X
2	74760412		BOLT LT
3	STD551025		WASHER
4	STD551125		WASHER
6	STD541025		WASHER
7	7697J		"DRAIN TU T, BATT"
8	7603J		"TRAY T, BATTERY"
9	109596X		HOSE CLAMP T
10	145211		SUB= 150177
11	145209		SUB= 150109
12	145769		SUB= 150177
19	STD551125		WASHER
20	73350400		NUT
21	147430		HARNESS.ASM.HDLIG
22	4152J		HEADLAMP BULB
24	4799J		"CABLE T, BATTERY"
25	146148		CABLE.6GA.22W/16W
26	108824X		FUSE HYT
28	145491		CABLE.GRND.6GA.21
29	121305X		SWITCH SEAT
30	140301		SWITCH IGN 4POS
31	124211X		NUT IGNITION
32	141226		COVER KEY SWITCH
33	109310X		KEY MOLDED T
36	STD601005		SCREW
38	140336		BRACKET SWITCH IN
39	109553X		SWITCH INTERLOCKT
40	146059		SUB= 151215
41	71110412		BOLT.HX.1/4-20
42	131563		SUB= 154336
43	145673		SUB= 146154
44	73800400		NUT
45	121433X		SUB= 122822X
46	141940		PROTECTION LOOP
50	146283		SUB= 154963
55	17490508		SCREW LT
70	142291		HARNESS.ENG.KOHL
80	146685		HARNESS.CLUT.EVX.

TRACTOR - - MODEL NUMBER 917.252580

ENGINE

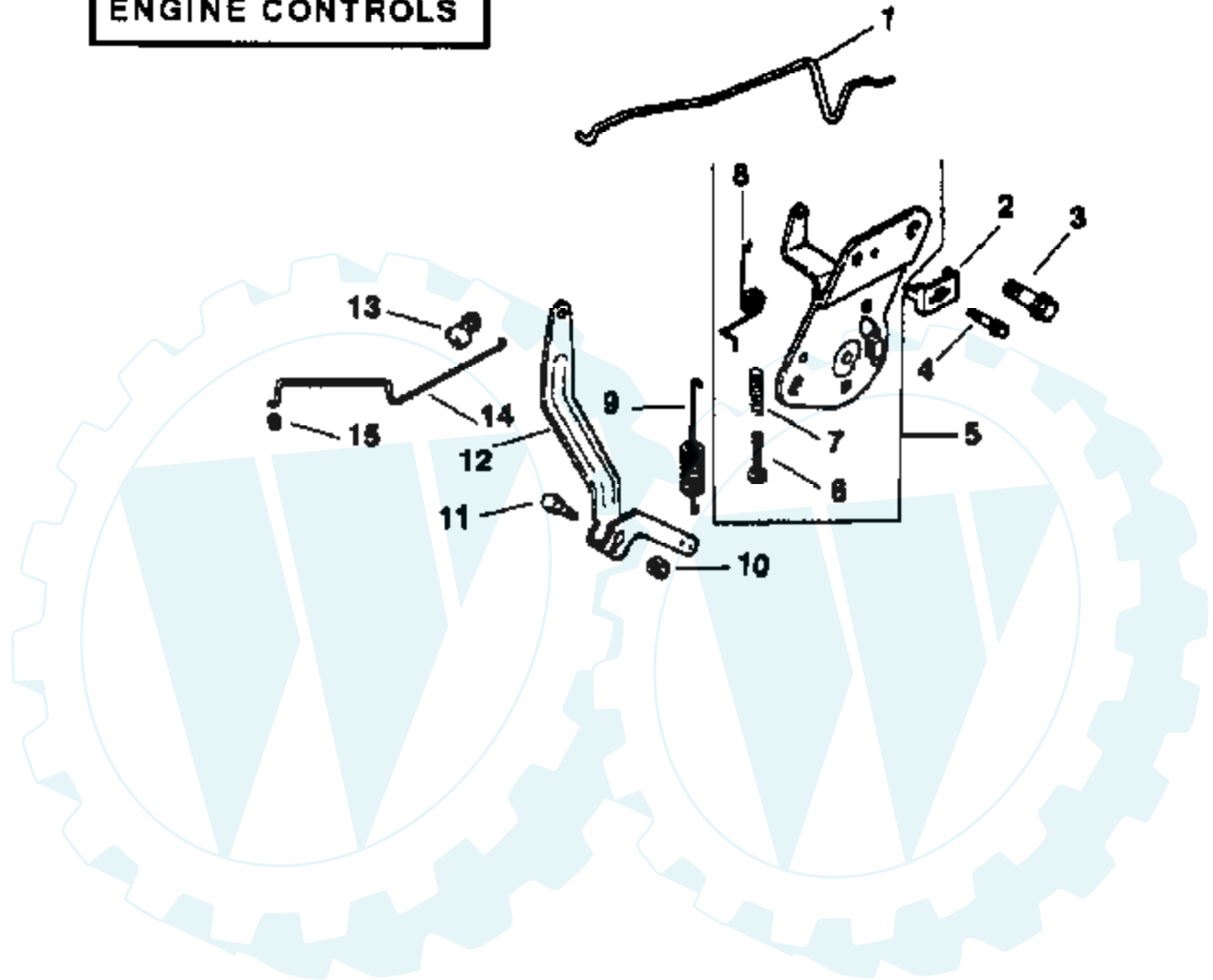


Ref #	Part Number	Qty	Description
1	147025		SUB= 162156
2	17720410		SCREW LT
3	140846		ENG KOHLER MODEL NO. CV15S PS41508
4	137350		MUFFLER.LT.12.5
10	145552		SHIELD.HEAT.
14	13280328		PIPE NIPPLE
15	13200300		ELBOW
16	STD551231		WASHER
23	128953		HEAT SHIELD
24	STD601005		SCREW
29	137180		SUB= 532137180
31	141069		SUB= 151346
32	123549X		SUB= 158990
33	123487X		HOSE CLAMP
34	106082X		PAD-SPACER LT
35	17490512		SCREW
36	19132012		WASHER
37	8543R		FUEL LINE T
38			REFER TO IMAGE
39	109227X		PAD IDLER TI
40	3645J		BUSHING OUTLET T
41	139277		STEM.TANK.FUEL
62	STD551131		WASHER, LOCK
77	STD551031		WASHER 5/16 X 3/4 X 16 GA.
79	M740108025		"BOLT,HEX"
80	STD523105		BOLT
81	73510400		NUT

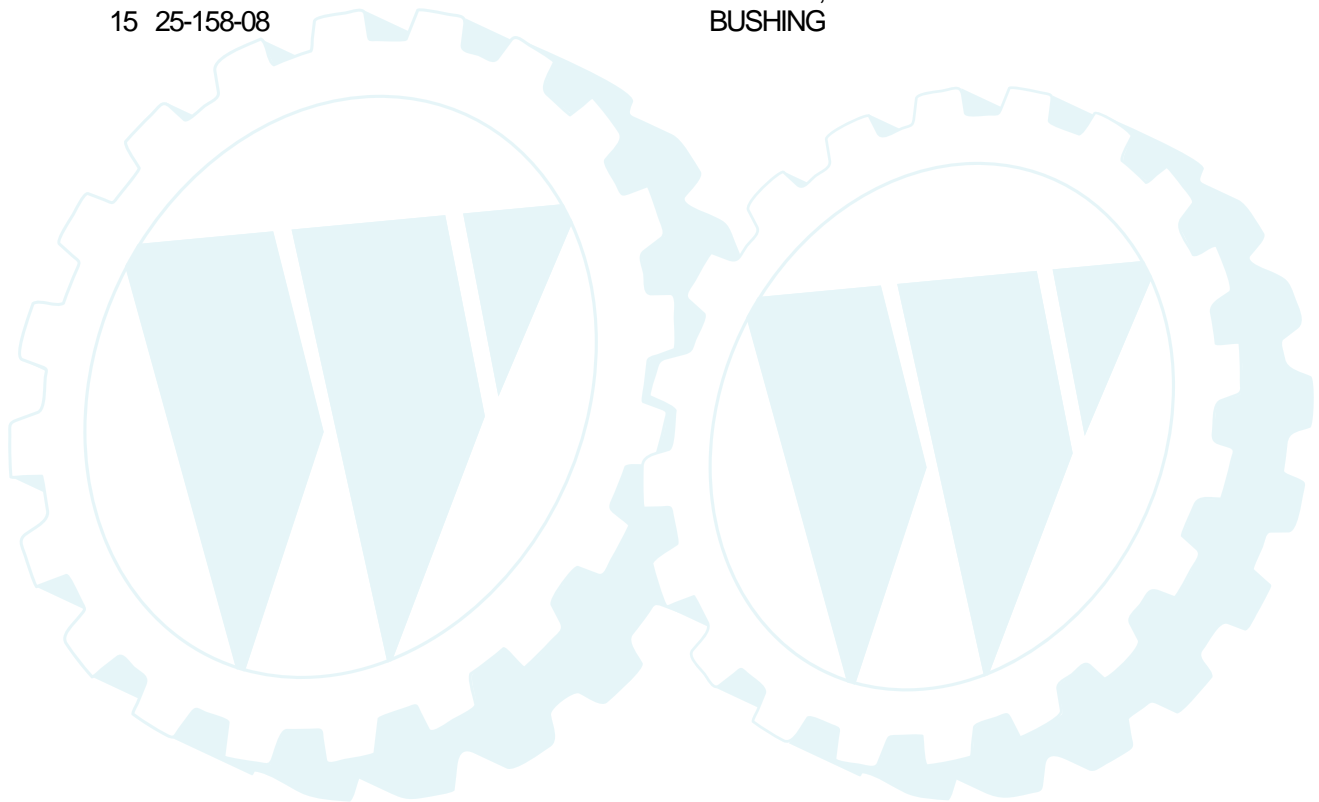
TRACTOR - - MODEL NUMBER 917.252580

KOHLER ENGINE - MODEL NUMBER CV15.5S, TYPE NUMBER PS41508

ENGINE CONTROLS



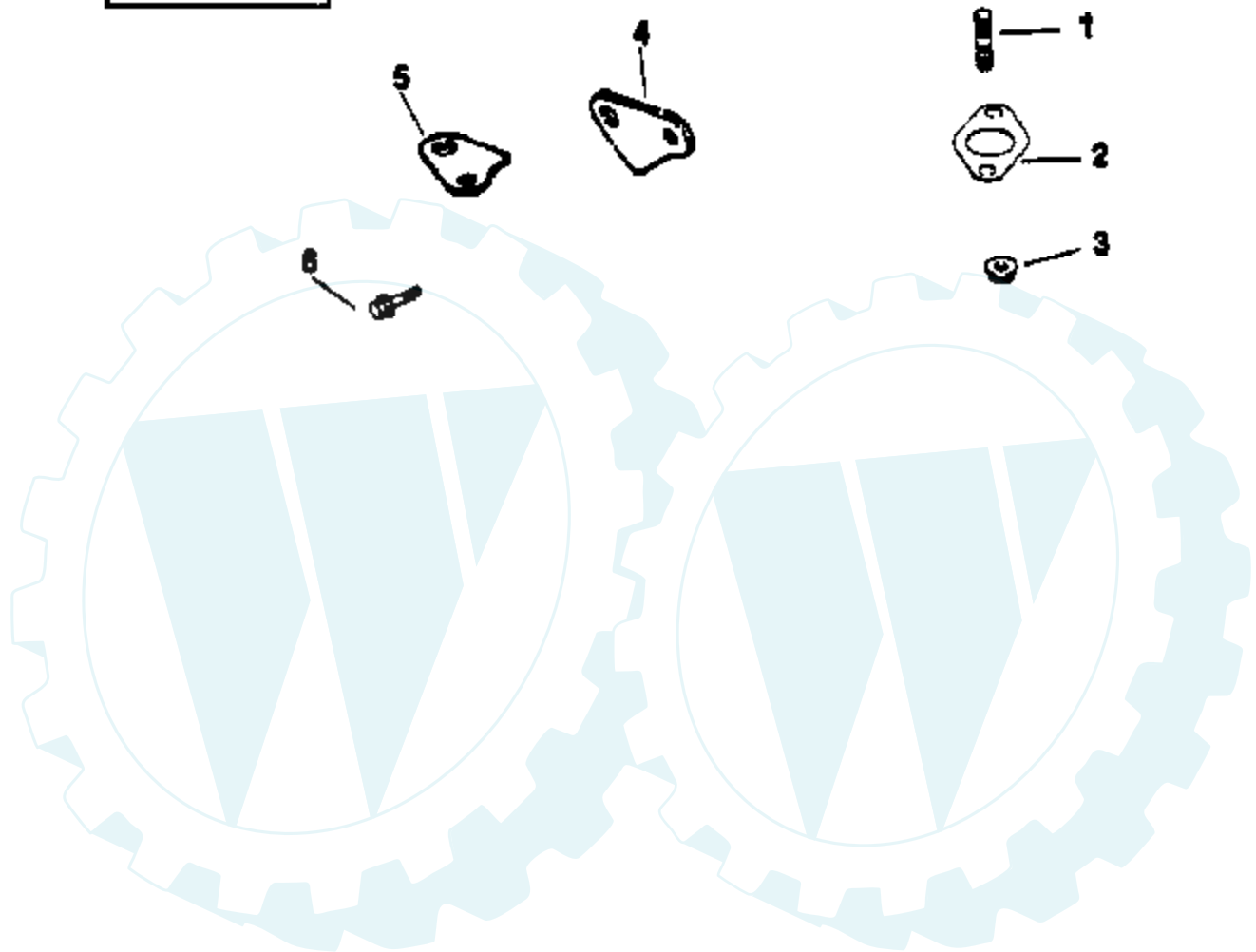
Ref #	Part Number	Qty	Description
1	12-079-07		LINKAGE, CHOKE
2	12-237-01		CLAMP, CABLE
3	SM-0645016		SCREW, HEX HEAD
4	SM-0545016		SCREW, CABLE CLAMP
5	12-536-01		CONTROL, SPEED ASSEMBLY
6	SM-0443025		SCREW
7	12-089-11		SPRING, CHOKE ADJUST
8	12-089-04		SPRING, CHOKE RETURN
9	12-089-19		SPRING, GOVERNOR
10	SM-0641060		NUT, GOVERNOR ARM
11	SM-0642025		SCREW, GOVERNOR ARM
12	12-090-05		LEVER, GOVERNOR
13	25-158-11		BUSHING
14	12-079-01		LINKAGE, THROTTLE
15	25-158-08		BUSHING



TRACTOR - - MODEL NUMBER 917.252580

KOHLER ENGINE - MODEL NUMBER CV15.5S, TYPE NUMBER PS41508

EXHAUST

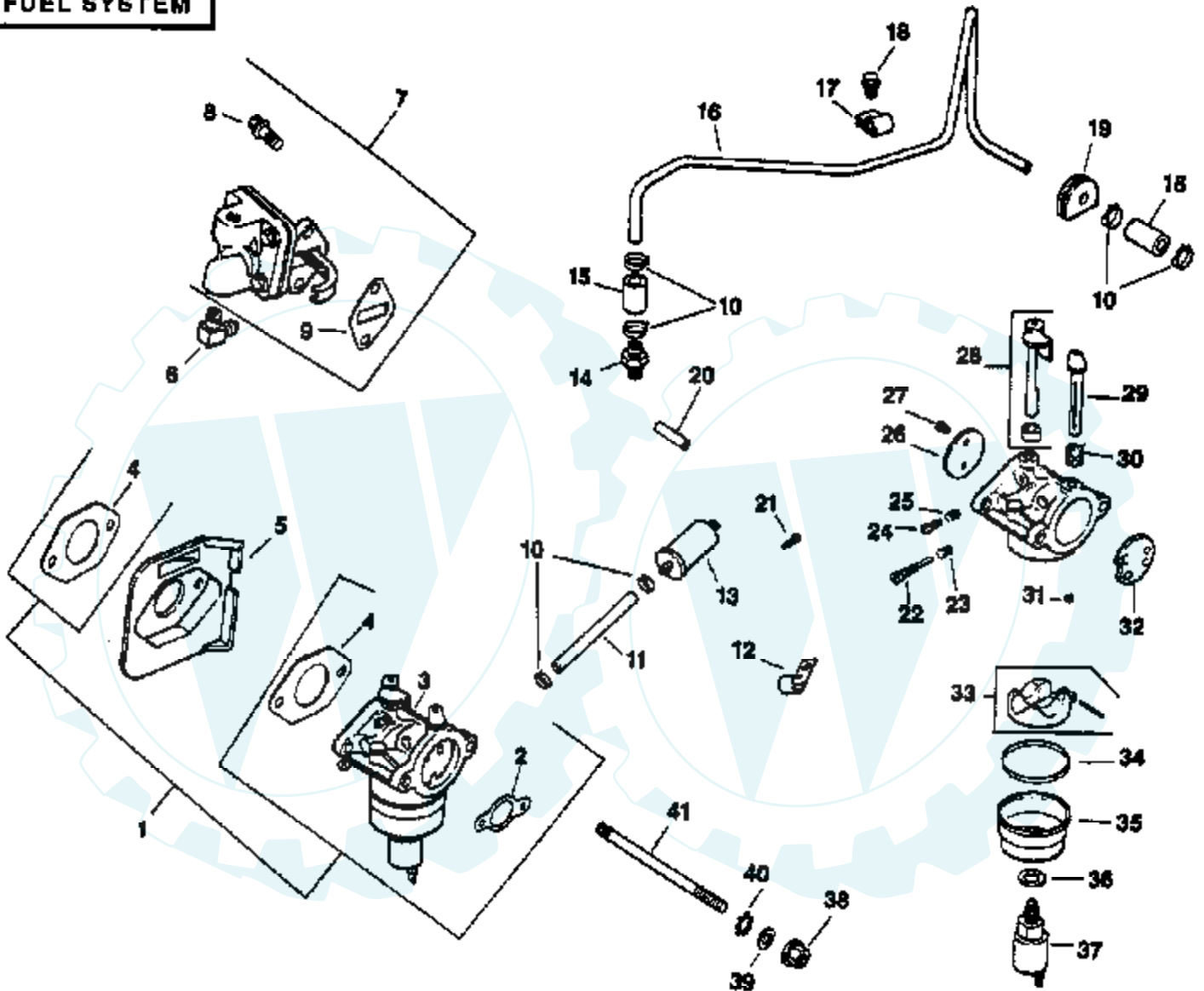


Ref #	Part Number	Qty	Description
1	M-0829033		STUD. EXHAUST MANIFOLD
2	12-041-03		GASKET, EXHAUST MANIFOLD
3	SM-0841080		NUT, MUFFLER MOUNTING
4	12-126-11		BRACKET, MUFFLER
5	12-445-01		STRAP, LIFTING
6	SM-0645025		SCREW, LIFTING STRAP
	12-755-01		GASKET SET



TRACTOR - - MODEL NUMBER 917.252580 KOHLER ENGINE - MODEL NUMBER CV15.5S, TYPE NUMBER PS41508

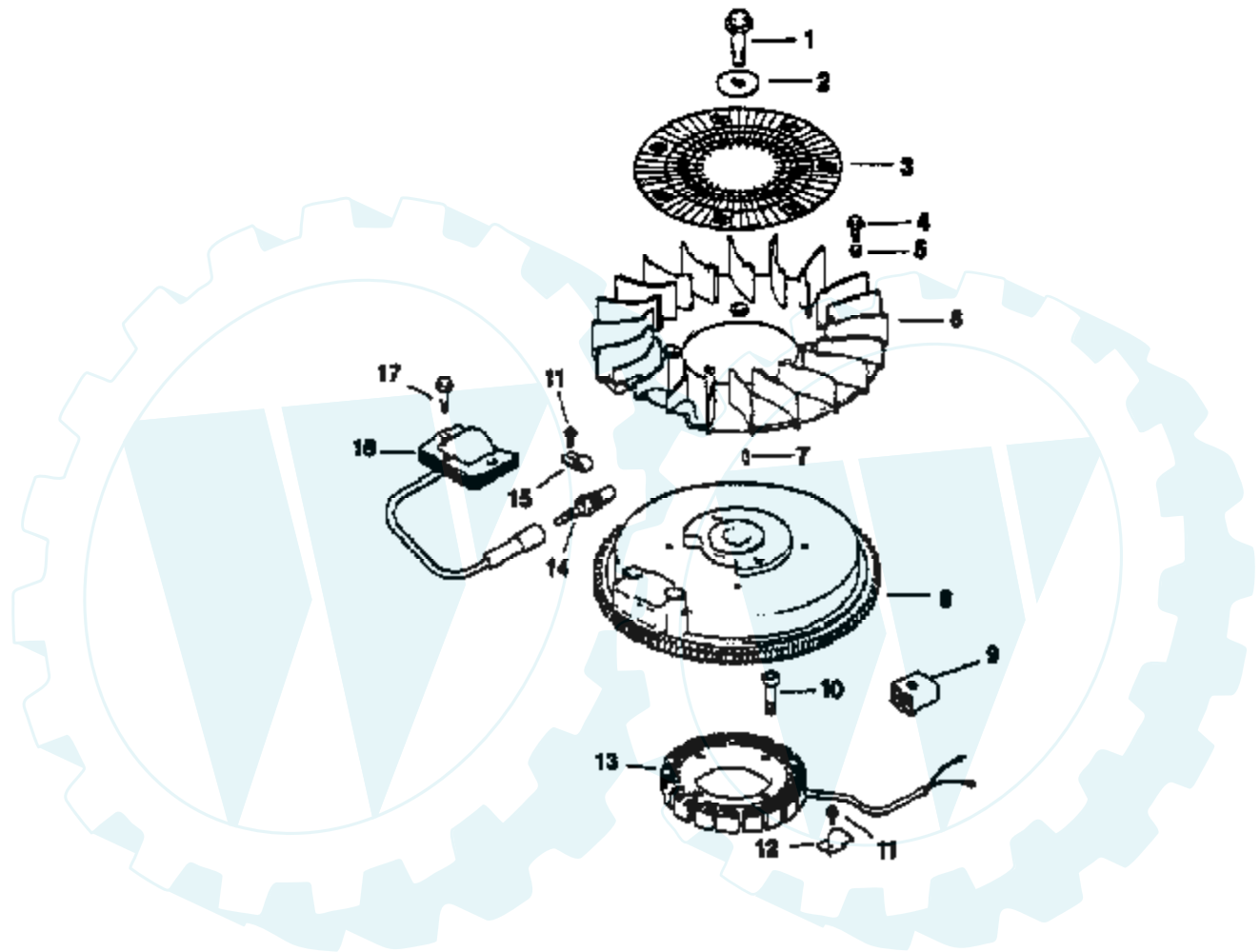
FUEL SYSTEM



Ref #	Part Number	Qty	Description
1	12-853-08		
2	12-041-02		GASKET, AIR CLEANER
3	12-053-09		
4	12-041-01		
5	12-265-01		
6	25-155-02		CONNECTOR
7	12-559-01		
8	SM-0645020		SCREW, FUEL PUMP
9	25-041-09		GASKET
10	X-426-9		CLAMP, HOSE
11	52-353-22		
12	47-154-01		CLIP
13	25-050-02		FUEL FILTER
14	X-380-1		CONNECTOR, HOSE
15	12-353-01		
16	12-123-01		
17	12-154-01		
18	M-0545010		SCREW, MOUNTING
19	12-313-01		
20	12-431-01		
21	12-086-07		
22	12-368-01		
23	12-089-09		
24	12-086-04		
25	12-089-09		
26	12-146-03		
27	25-086-27		SCREW
28	12-144-09		
29	12-144-08		
30	12-089-10		
31	12-337-01		
32	12-146-02		
33	12-757-02		
34	12-041-05		
35	12-104-01		
36	12-041-06		
37	12-757-09		
38	SM-0641060		NUT, GOVERNOR ARM
39	X-25-63		WASHER, PLAIN 1/4
40	X-22-11		WASHER, INTERNAL TOOTH
41	M-0629122		STUD, CARBURETOR
	12-757-01		
	12-755-09		
	12-518-05		
	41-518-34		

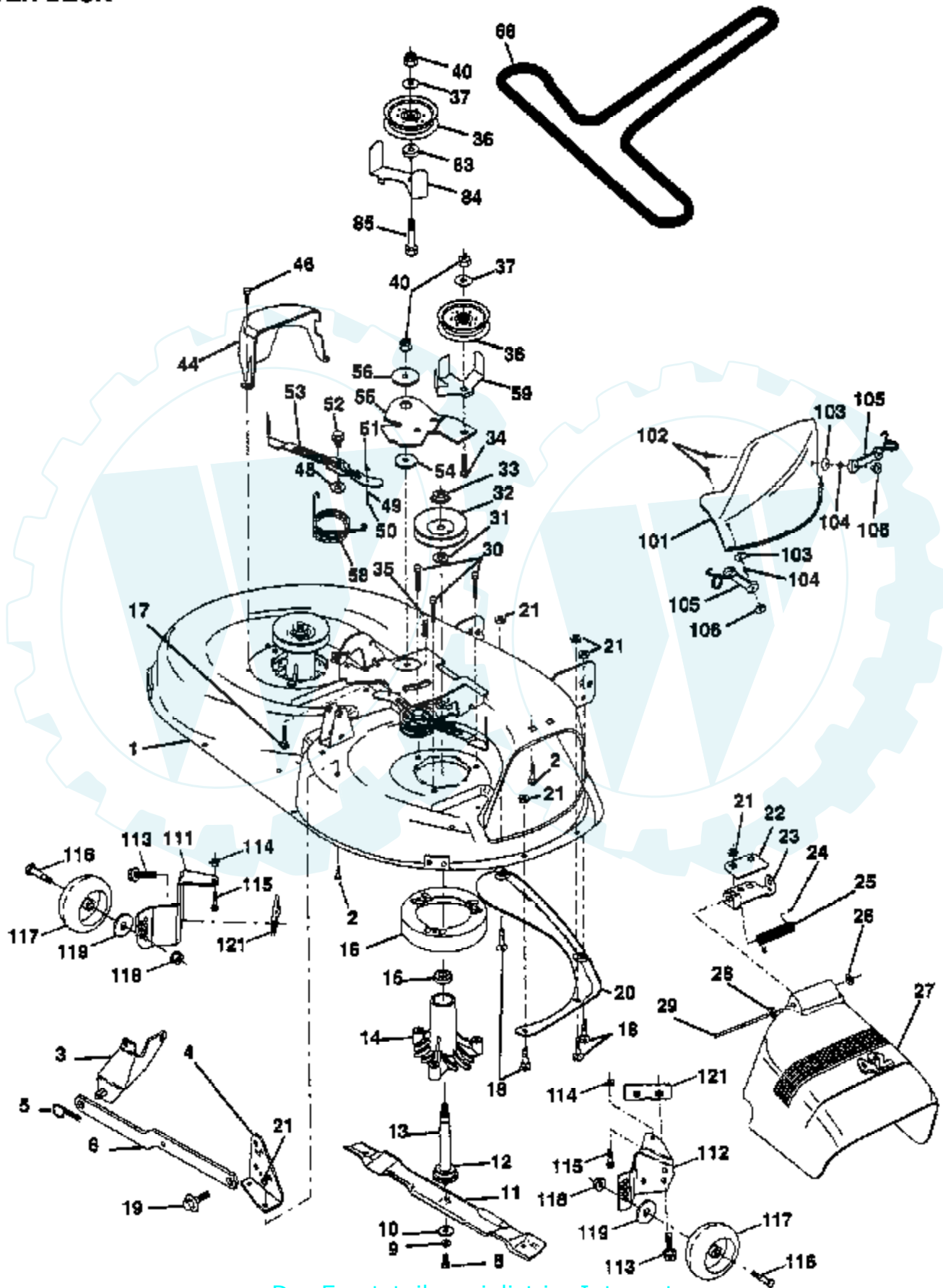
TRACTOR - - MODEL NUMBER 917.252580 KOHLER ENGINE - MODEL NUMBER CV15.5S, TYPE NUMBER PS41508

IGNITION / ELECTRICAL



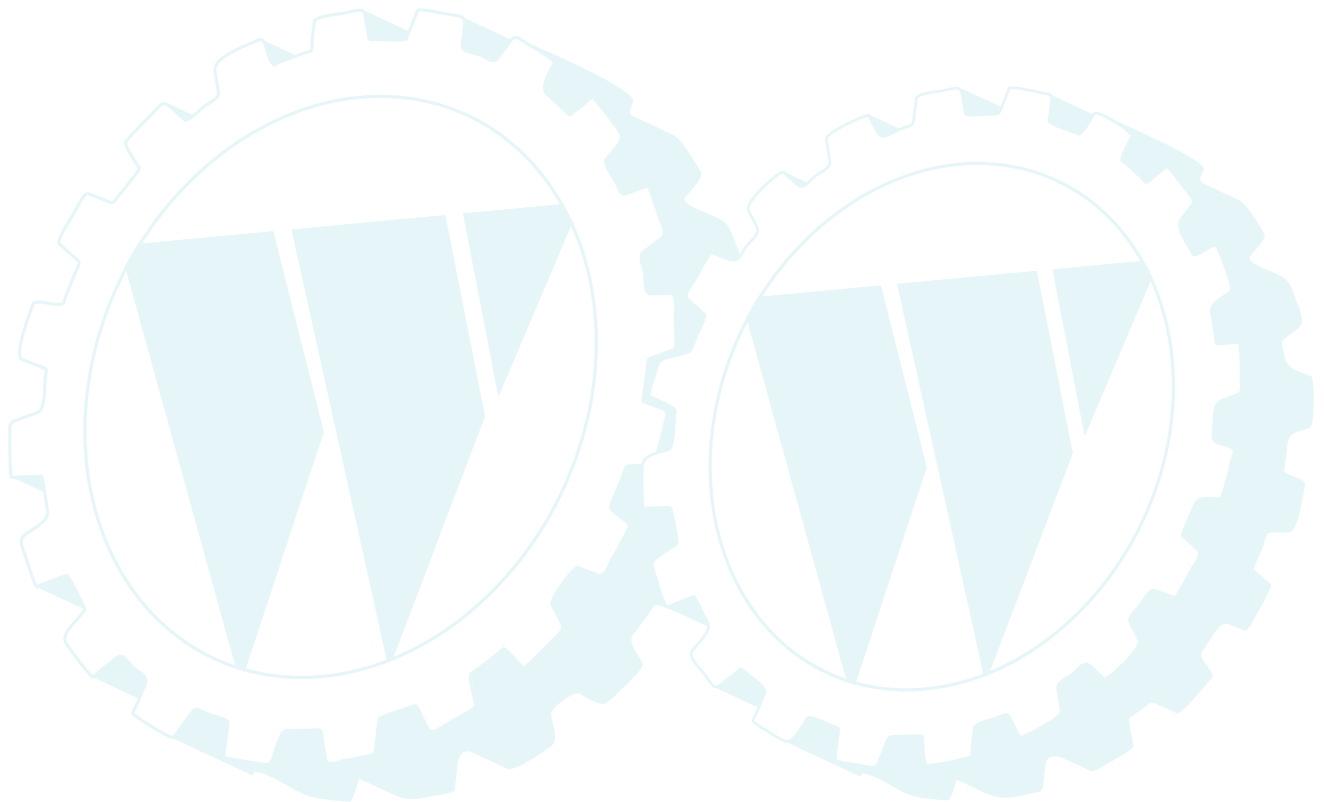
TRACTOR -- MODEL NUMBER 917.252580

MOWER DECK



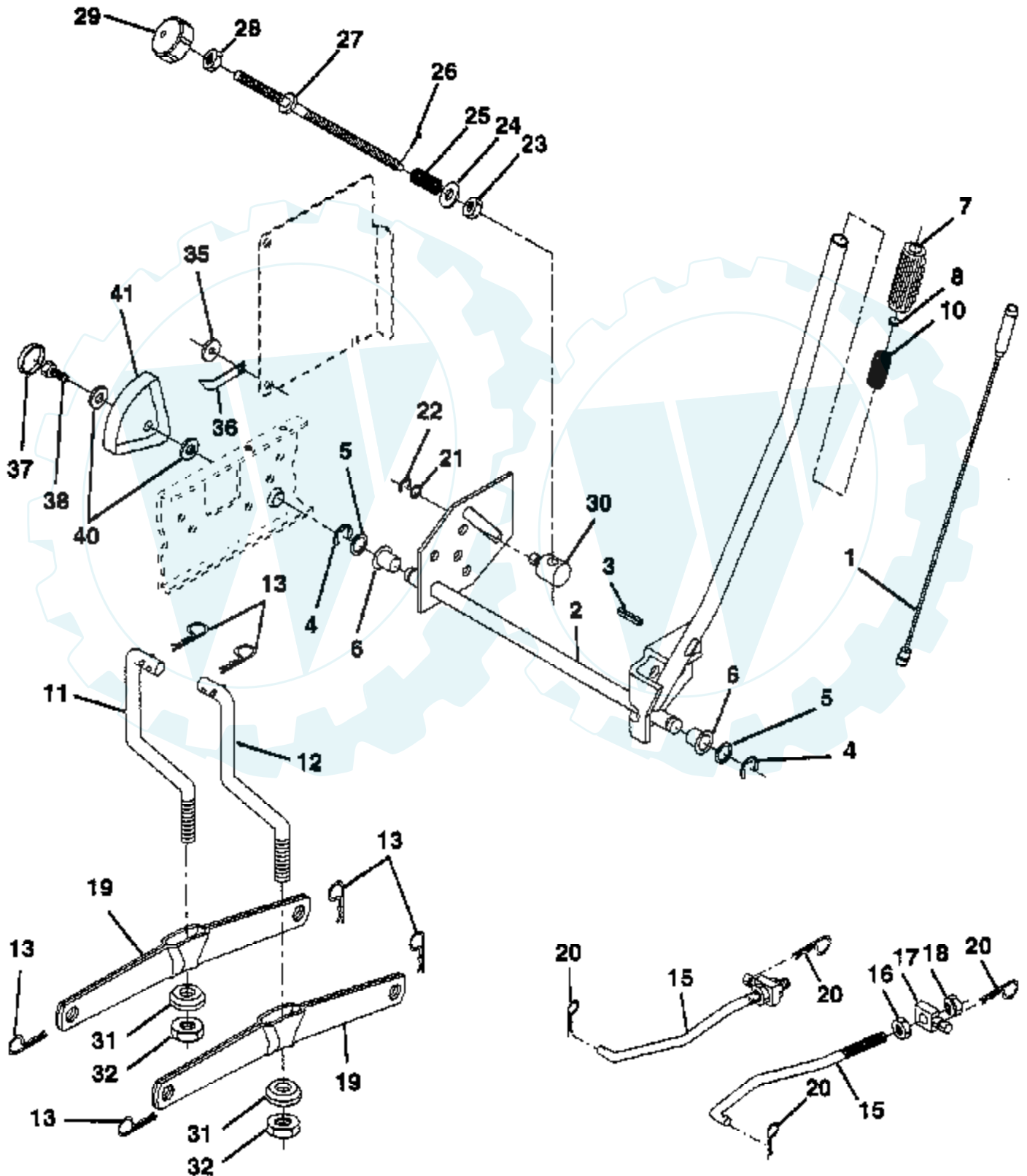
Ref #	Part Number	Qty	Description
1	144393		DECK.WELD.42.
2	STD533107		BOLT
3	138017		BRKT ASM SWAY BAR
4	138440		BRKT DECK SW BAR
5	STD624008		RETAINER RING
6	130832		SUB= 130833
8	850857		BLADE BOLT
9	STD551137		WASHER, LOCK
10	140296		WASHER.HARD.BLADE
11	134149		"BLADE.42"" MULCHER"
12	129895		BEARING.BALL
13	137645		SUB= 137646
14	128774		HSG ASM MANDREL
15	110485X		BEARING
16	140329		STRIPPER RND MWR
17	72110618		BOLT CARRIAGE
18	72140505		BOLT
19	132827		BOLT SHD 5/16-18
20	136888		SUB= 918136888
21	73680500		SUB= 73690500
22	134753		STIFFENER BRKT
23	131267		DEFLECTOR BRKT
24	105304X		CAP-SLEEVE LT
25	123713X		SPRING TORSION
26	110452X		NUT PUSH M
27	130968		DEFLECTOR.SHIELD
28	19111016		WASHER
29	131491		HINGE ROD
30	138776		SUB= 157722
31	129963		WASHER
32	129861		SUB= 153535
33	137266		SUB= 139729
34	STD533727		BOLT
35	133835		XMAS TREE FASTNER
36	131494		FLAT IDLER PULLEY
37	STD551037		WASHER
38	132823		SUB= 532132823
40	73680600		SUB= 73690600
44	140088		GUARD MAND LH BLK
46	137729		SCREW.1/4-20X5/8
54	133943		HARDENED WASHER
55	140084		SUB= 151785
56	122052X		SPACER RETAINER
59	141043		GUARD IDLER TUV
61	131950		SPRING.EXTENSION
68	144200		BELT.V.T-PATH
83	120958X		WASHER
84	144394		SUB= 156084
85	72140620		BOLT
101	136420		"COVER.MULCH.42""
102	71161010		SCREW
103	19061216		WASHER #10
104	STD551110		WASHER, LOCK
105	130758		SUB= 160793
106	2029J		WELDNUT
111	140353		SUB= 155197
112	132262		SUB= 155198
113	17490512		SCREW

Ref #	Part Number	Qty	Description
114	73510500		NUT
115	72110504		SUB= 872110504
116	137644		BOLT.SHOULDER
117	133957		WHEEL GAGE DONUT
118	73930600		LOCKNUT
119	STD551037		WASHER
121	143723		BRACKET.EXTRD.GWL
125	76020816		COTTER PIN
	130794		MANDREL ASM
	145452		SUB= 164965



TRACTOR - - MODEL NUMBER 917.252580

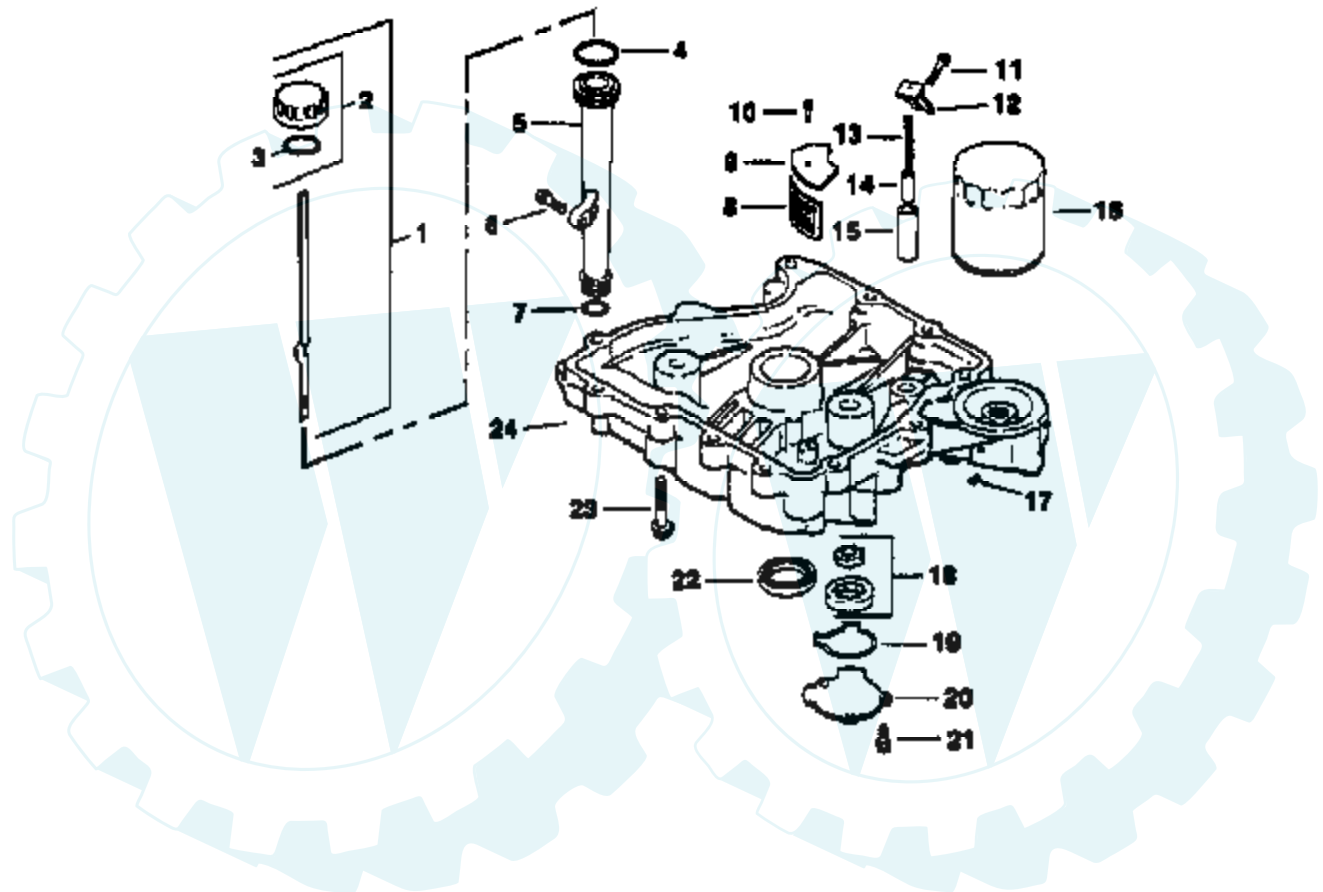
MOWER LIFT5



Ref #	Part Number	Qty	Description
1	136973		WIRE ASM
2	145117		SHAFT.LIFT.ASM.RH
3	138284		PIN GROOVE
4	12000002		SUB= 2225J
5	19211621		WASHER
6	120183X		NYLON BEARING
7	125631X		GRIP HANDLE
8	122365X		SUB= 125925X
10	122512X		SUB= 532122512
11	139865		SUB= 918139865
12	139866		SUB= 151140
13	4939M		SUB= 85902
15	127218		LINK.FRONT
16	73350800		NUT
17	130171		TRUNION
18	73800800		NUT.LK.W/WSH.1/2.
19	139868		ARM SUSP REAR
20	3146R		RETAINER.SPRING
21	19151216		WASHER
22	12000037		KLIP RING
23	110807X		NUT T
24	19131016		WASHER
25	2876H		SPRING T
26	76020308		SUB= 3145
27	126971X		SUB= 532126971
28	73350600		NUT
29	138057		KNOB INF 3/8-16
30	110810X		TRUNION LT
31	140302		BEARING PVT LH
32	73540600		NUT.CROWNLOCK.3/8
35	120529X		WASHER T
36	123933X505		POINTER HGT IND
37	123935X		"PLUG,HOLE"
38	17490512		SCREW
40	19112410		WASHER
41	123934X		HEIGHT INDICATOR

TRACTOR - - MODEL NUMBER 917.252580 KOHLER ENGINE - MODEL NUMBER CV15.5S, TYPE NUMBER PS41508

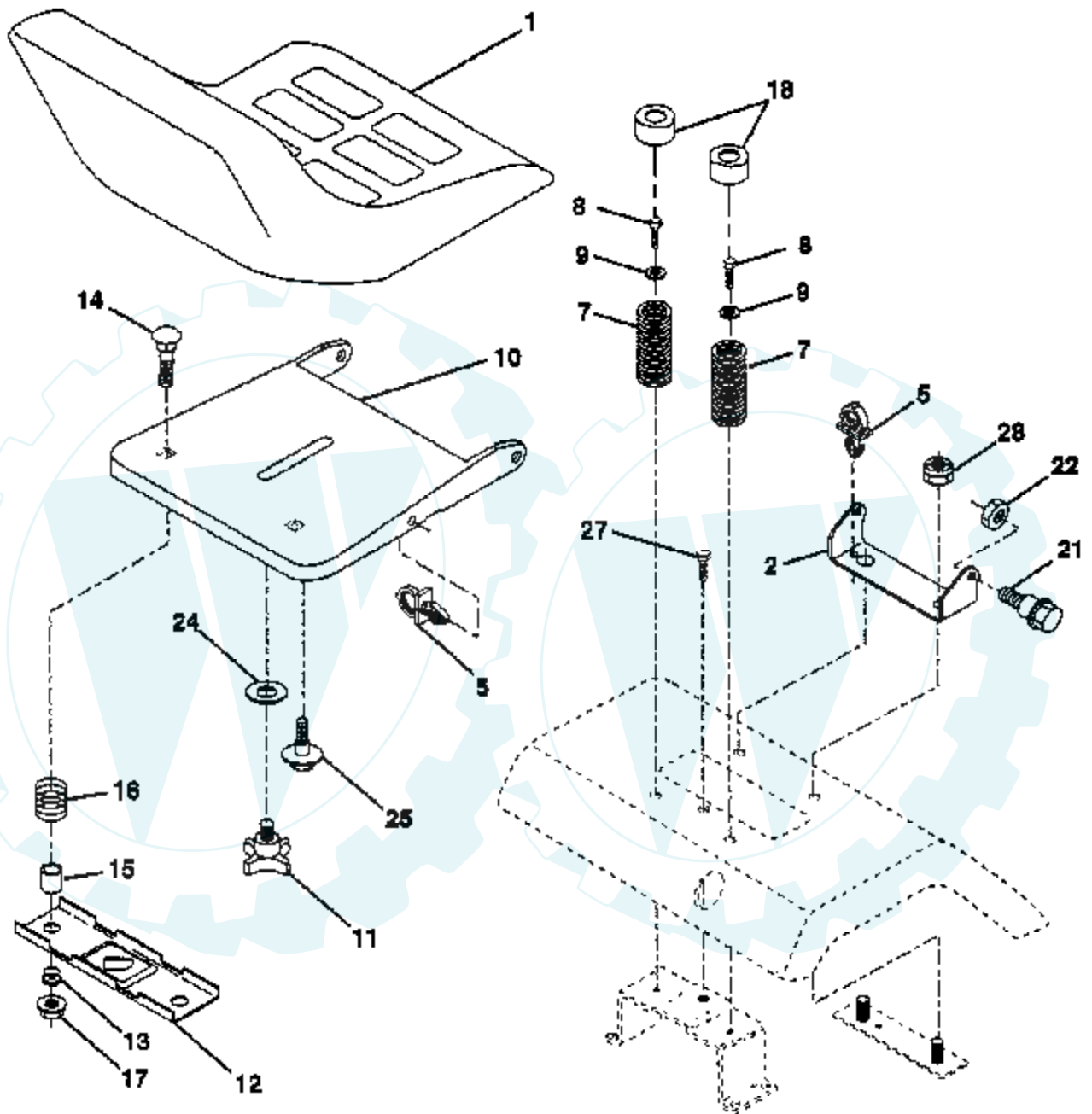
OIL PAN / LUBRICATION



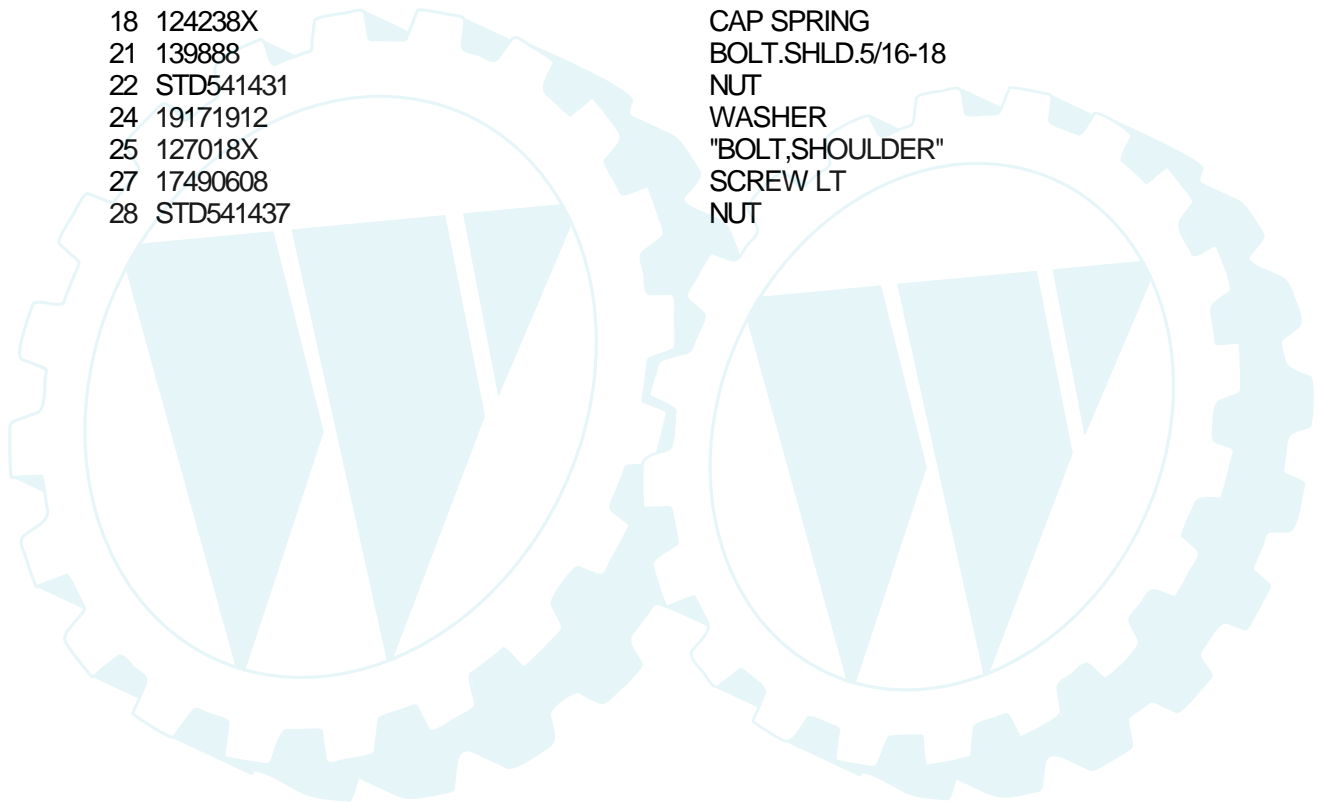
TRACTOR - - MODEL NUMBER 917.252580

SEAT ASSEMBLY

NOTE: All component dimensions given in U.S. inches
1 inch = 25.4 mm

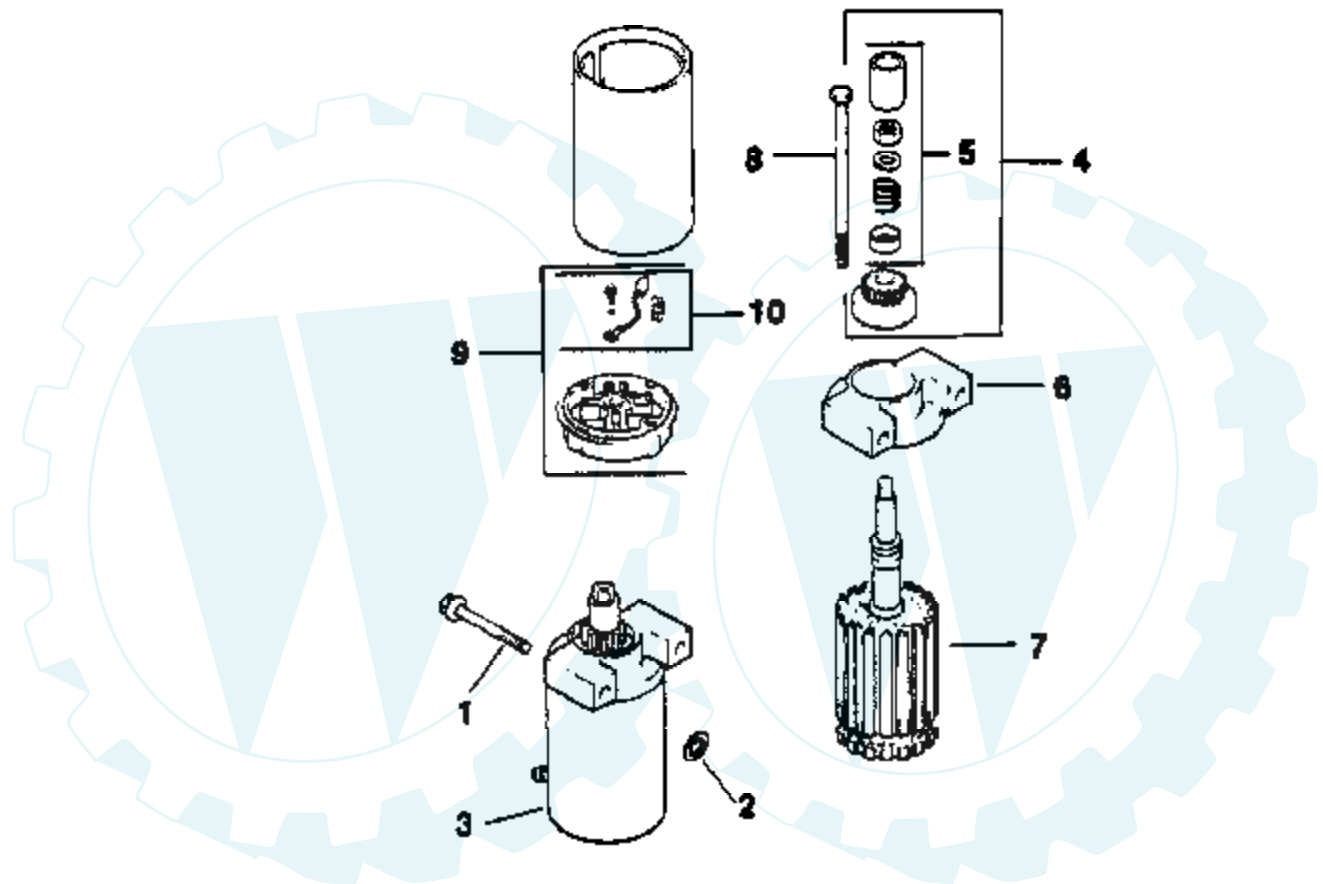


Ref #	Part Number	Qty	Description
1	140123		SUB= 140121
2	140551		BRACKET PVT SEAT
5	145006		CLIP.PUSH-IN.HING
7	124181X		SPRING COMPRESSIO
8	17490508		SCREW LT
9	19131614		WASHER
10	140552		SUB= 155925
11	120068X		"KNOB 1/2"" YT"
12	121246X		BRKT SWITCH
13	121248X		BUSHING
14	72050411		SUB= 872050411
15	134300		SPLIT SPACER
16	121250X		SPRING
17	123976X		SUB= 73900400
18	124238X		CAP SPRING
21	139888		BOLT.SHLD.5/16-18
22	STD541431		NUT
24	19171912		WASHER
25	127018X		"BOLT,SHOULDER"
27	17490608		SCREW LT
28	STD541437		NUT



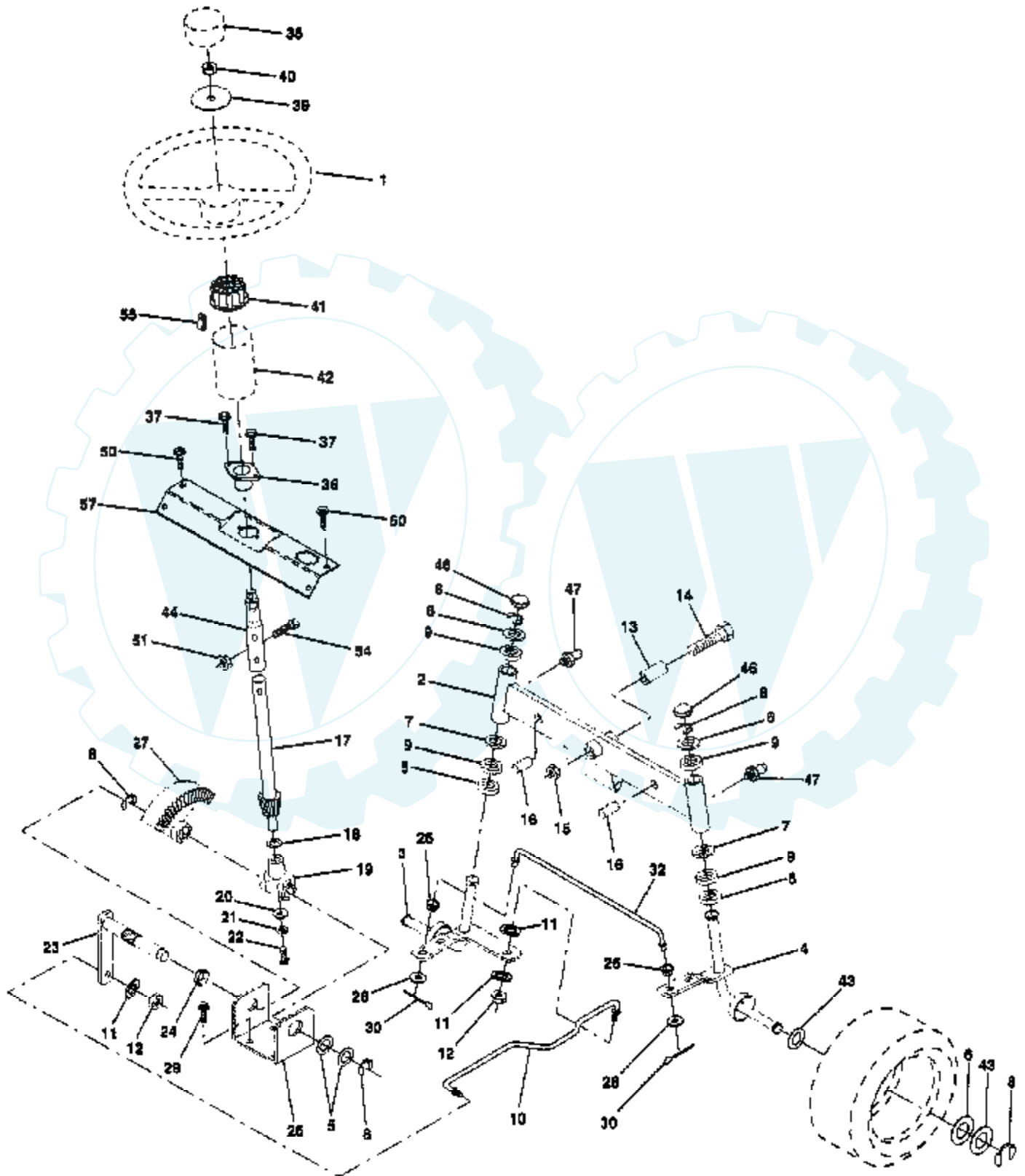
TRACTOR - - MODEL NUMBER 917.252580 KOHLER ENGINE - MODEL NUMBER CV15.5S, TYPE NUMBER PS41508

STARTING SYSTEM



TRACTOR - - MODEL NUMBER 917.252580

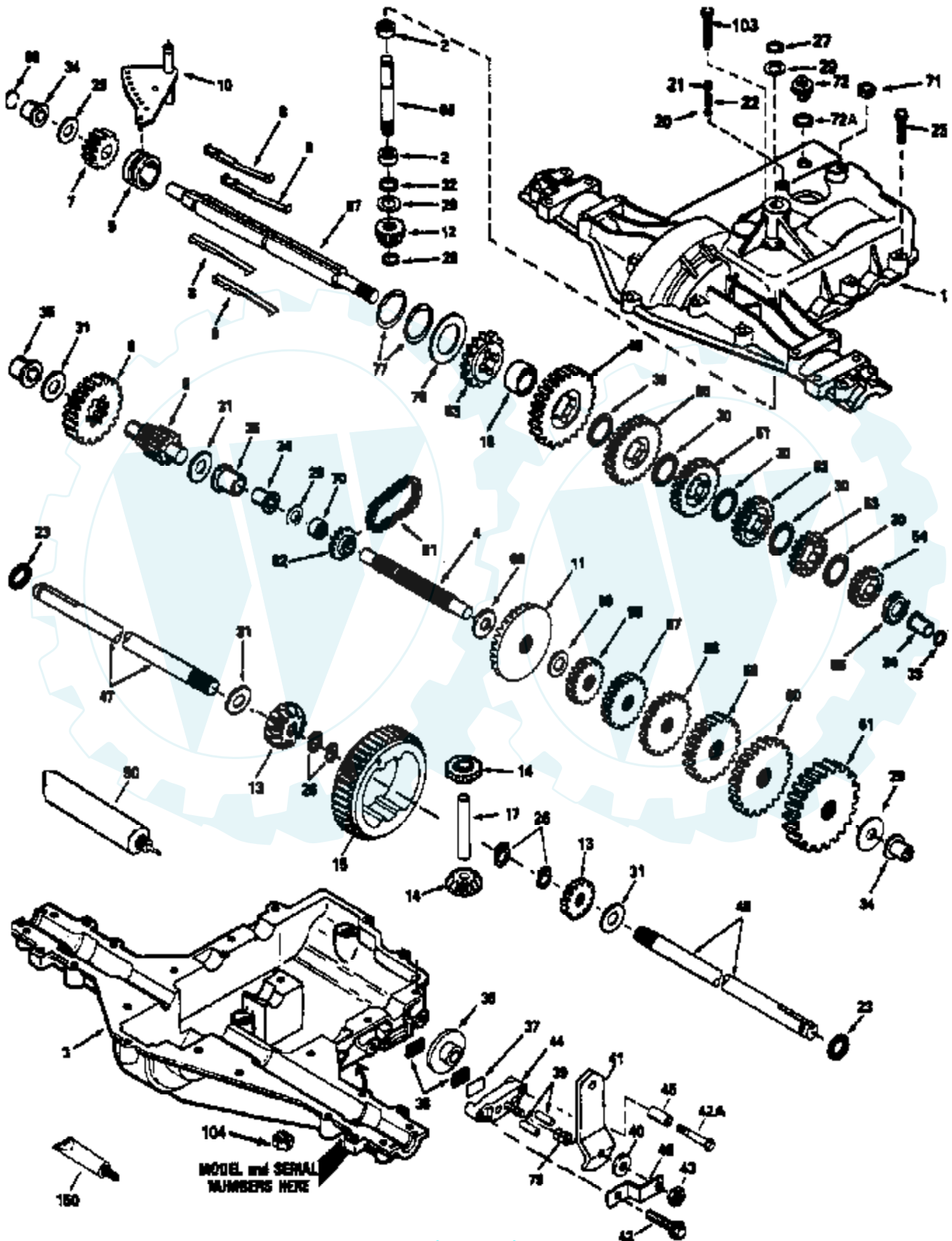
STEERING ASSEMBLY



Ref #	Part Number	Qty	Description
1	121472X		SUB= 150546
2	142033		AXLE ASM FRONT
3	135227		SPINDLE LH
4	135228		SPINDLE RH
5	6266H		WASHER .T
6	121748X		WASHER
7	19272016		WASHER
8	12000029		RING
9	3366R		COL. SRTG. BEAR.
10	130468		SUB= 532130468
11	10040600		LOCKWASHER
12	73610600		SUB= 7810H
13	110438X		BEARING
14	74011056		BOLT HEX 5/8-11
15	73901000		"NUT-LOC,FLANGE LT"
16	132624		AXLE PIN
17	140176		SHAFT ASM STEERIN
18	57079		THRUST WASHER
19	124035X		SUPPORT.SHAFT
20	126684X		SUB= 532126684
21	10040400		LOCKWASHER
22	71070410		"SCREW,SPECIAL"
23	127501		SUB= 918127501
24	109816X		NYLINER T
25	124036X		"BRKT,STEERING"
26	126847X		BUSHING.DRAGLINK
27	136874		GEAR SECTOR
28	19131416		WASHER
29	17490612		SCREW
30	76020412		COTTER PIN
32	130465		TIE ROD
36	102803X		SUB= 918102803X
37	17431008		SUB= 98000165
38	126805X		"INSERT,STR WHEEL"
39	19133808		WASHER T
40	7810H		GRIPCO NUT
41	104820X		ADAPTER-WHEEL LT
42	140216		BOOT SHAFT STEER
43	121749X		WASHER
44	147392		SUB= 154307
46	121232X		CAP
47	6855M		ZERK M
50	17490412		SCREW HEX CRT
51	73800500		NUT
54	74780520		BOLT
55	140285		CLIP TINNEMAN
57	140172		SUPPORT SHAFT STR

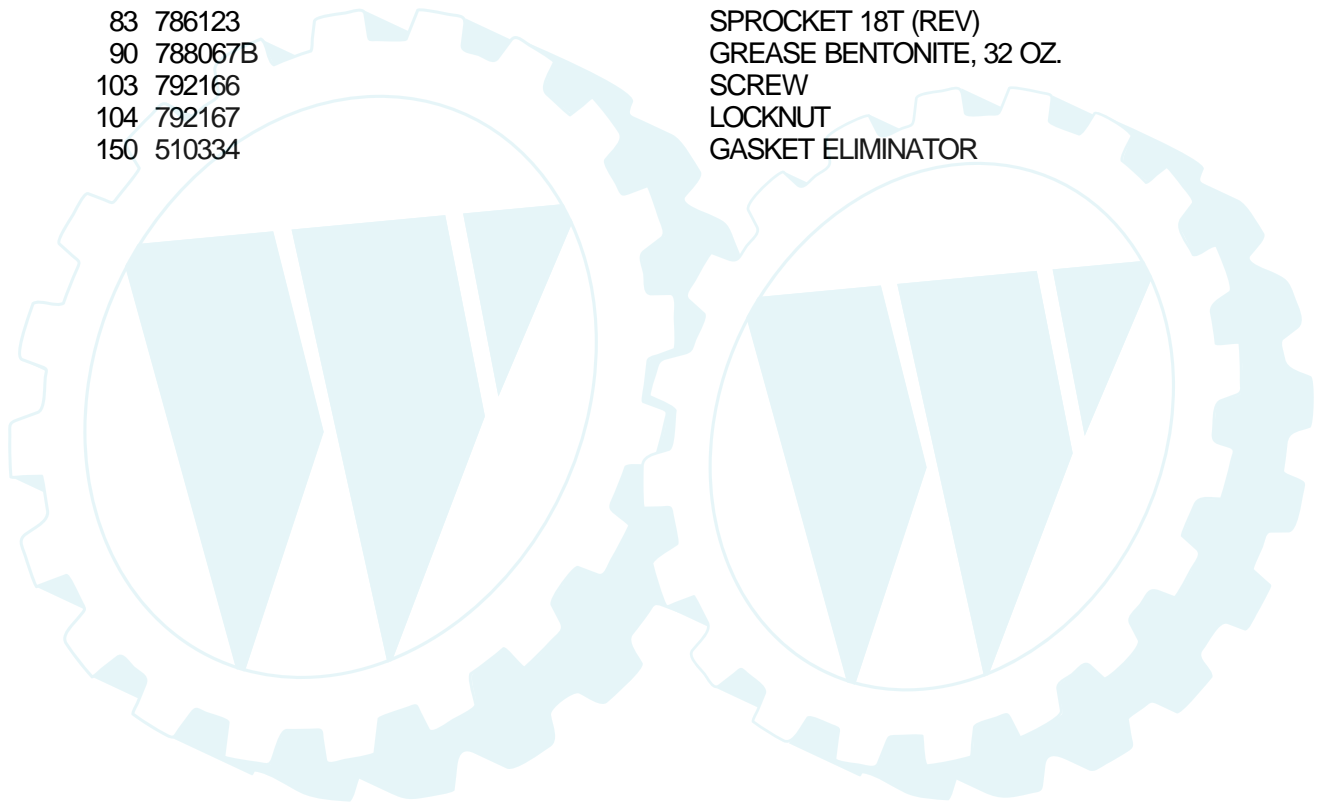
TRACTOR - - MODEL NUMBER 917.252580

PEERLESS TRANSAXLE - MODEL NUMBER 930-057



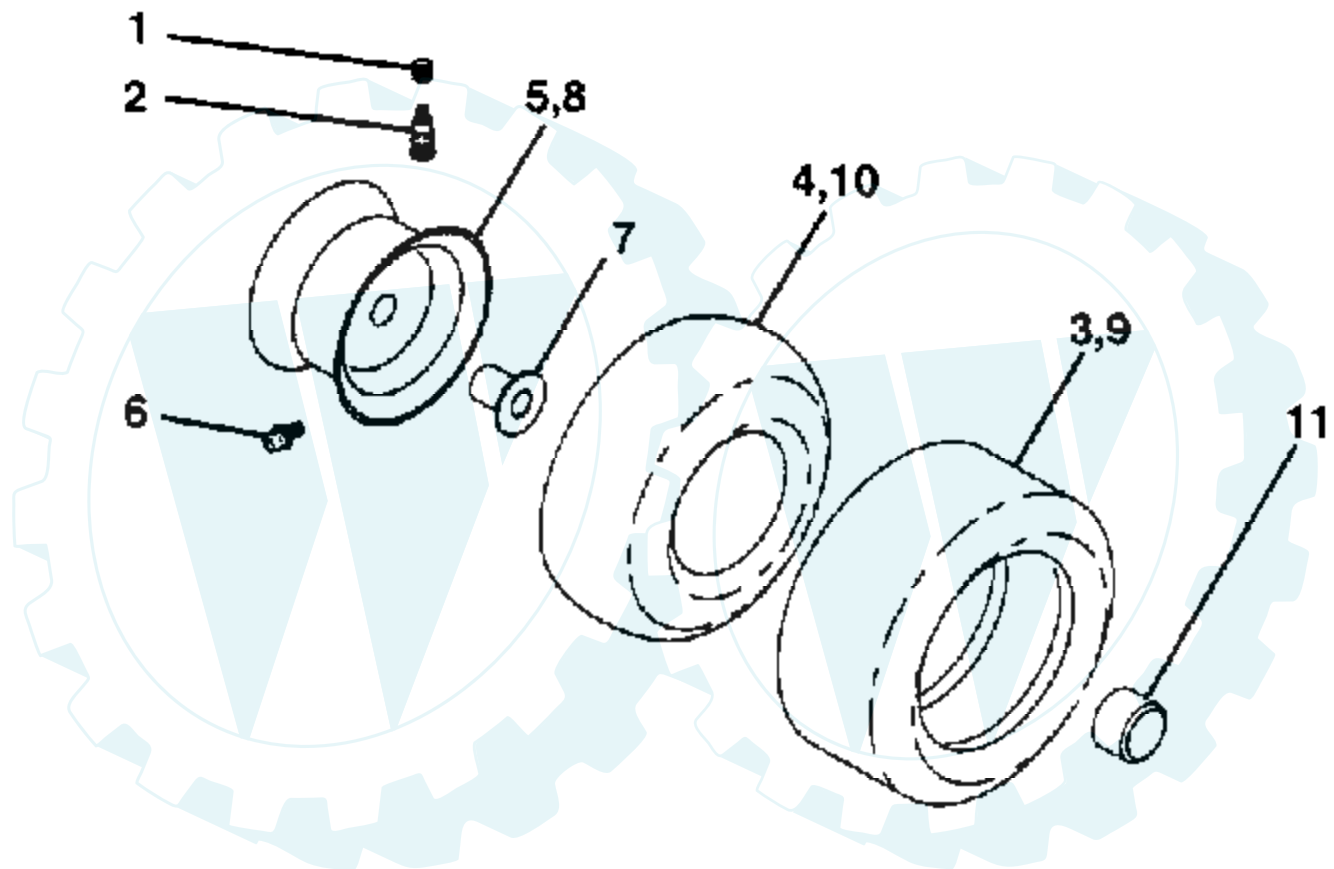
Ref #	Part Number	Qty	Description
1	772108A		TRANSAXLE COVER
2	780086		BEARING, NEEDLE
3	770102A		TRANSAXLE CASE
4	776260		SHAFT, COUNTER
5	776219B		OUTPUT SHAFT AND PINION
6	778139		GEAR, OUTPUT
7	778136		GEAR, SPUR, 15 TEETH
8	792136A		SHIFT KEY
9	784352		COLLAR, SHIFTER
10	784355		ROD & FORK ASSY, SHIFT
11	778229		GEAR, BEVEL, 42 TEETH
12	778113A		BEVEL PINION, INPUT
13	778221		GEAR, BEVEL
14	778068		GEAR, BEVEL, PINION
15	778260		GEAR, RING
17	786139		PIN, DRIVE
18	786102		SPACER, NEUTRAL
20	792077		BALL STEEL, 5/16" DIA.
21	792078		SCREW, 3/8-16 X 3/8"
22	792079		SPRING
23	788061		RING, SEAL
25	792073		SCREW, 1/4-20 X 1-1/4
26	792125		RING RETAINER
27	792035		RING, RETAINER
28	788040		RETAINING RING
29	780072		WASHER THRUST
30	780108		WASHER THRUST
31	780001		WASHER
32	792001		"O" RING
33	788051		SEAL, SQUARE CUT
34	780105A		BUSHING, FLANGED
35	780118A		BUSHING, FLANGED
36	790003		DISK, BRAKE
37	790007		PLATE BRAKE PAD
38	799021		BRAKE PAD
39	786026		PIN DOWEL
40	792076A		WASHER
41	790079		BRAKE LEVER
42	792073		SCREW, 1/4-20 X 1-1/4
42A	792085A		SCREW, 1/4-20 X 2-1/4
43	792075		LOCKNUT 5/16-24
44	790025		HOLDER BRAKE PAD
45	786066		SPACER
46	786086		BRKT BRAKE LEVER
47	774690		AXLE
48	774691		AXLE
49	778215		GEAR, SPUR, 37 TEETH
50	778125		GEAR, SPUR, 35 TEETH
51	778124A		GEAR, SPUR, 30 TEETH
52	778123A		GEAR, SPUR, 25 TEETH
53	778122A		GEAR, SPUR, 22 TEETH
54	778273		GEAR, SPUR, 19T
56	778230		GEAR, SPUR, 12 TEETH
57	778151		GEAR, SPUR, 15 TEETH
58	778126A		GEAR, SPUR, 20 TEETH
59	778127A		GEAR, SPUR, 25 TEETH
60	778128A		GEAR, SPUR, 28 TEETH
61	778163		GEAR, SPUR, 31 TEETH

Ref #	Part Number	Qty	Description
65	780109		WASHER, THRUST
66	776135		SHAFT, INPUT
67	776315A		SHAFT, BRAKE, 4 KEYED
68	786116		DISK
69	780051		WASHER THRUST
70	786118		SPACER
71	788069		SEAL SQUARE CUT
72	792165		THREADED PLUG 9/16-18
72A	788091		"O" RING
76	780090		WASHER, THRUST
77	788078A		INVERTED RETAINING RING
79	792144		SPRING
81	786081		CHAIN, ROLLER
82	786082		SPROCKET 9T
83	786123		SPROCKET 18T (REV)
90	788067B		GREASE BENTONITE, 32 OZ.
103	792166		SCREW
104	792167		LOCKNUT
150	510334		GASKET ELIMINATOR



TRACTOR -- MODEL NUMBER 917.252580

WHEELS & TIRES



NOTE: All component dimensions given in U.S. inches
1 inch = 25.4 mm

Ref #	Part Number	Qty	Description
1	59192		VALVE CAP
2	65139		VALVE STEM LT
3	106222X		SUB= 122073X
4	59904		TUBE.5.3/4.5/6
5	106732X427		"RIM ASM 6" FRT"
6	278H		FITTING LT
7	9040H		"FLANGE, BEARING"
8	106108X427		"RIM AS 8" REAR"
9	122082X		SUB= 918122082X
10	7152J		TUBE.18X9.5-8
11	104757X		HUB CAP
	144334		SEALANT.TIRE 10 OZ. TUBE

