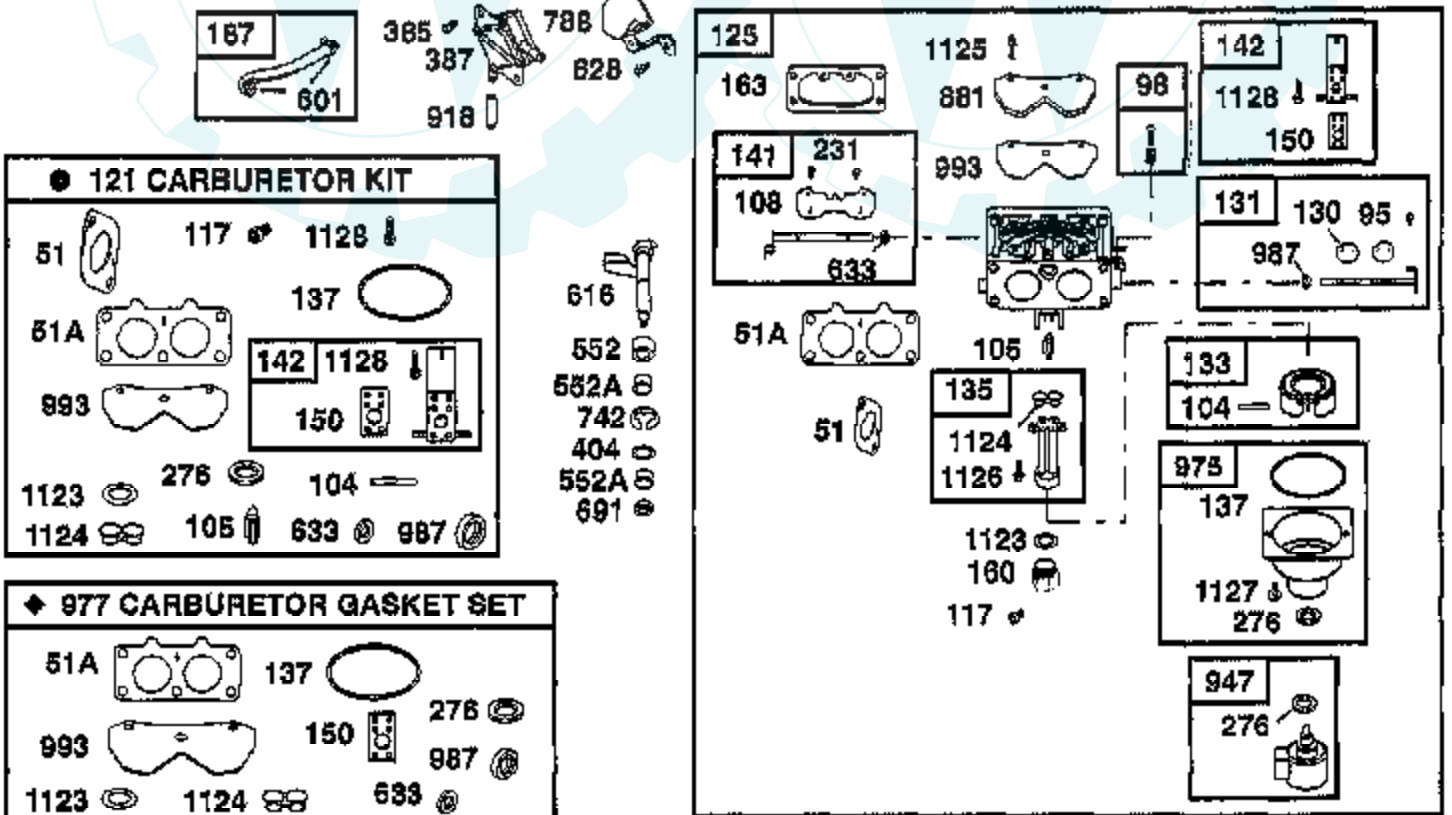
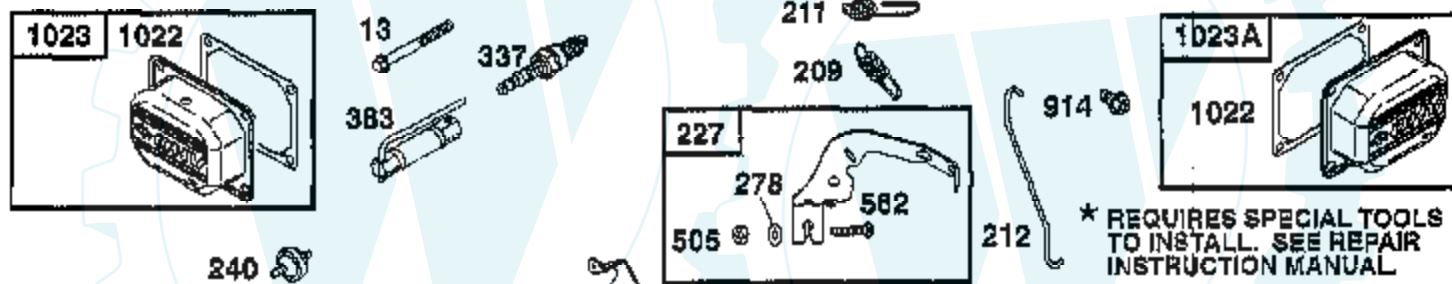
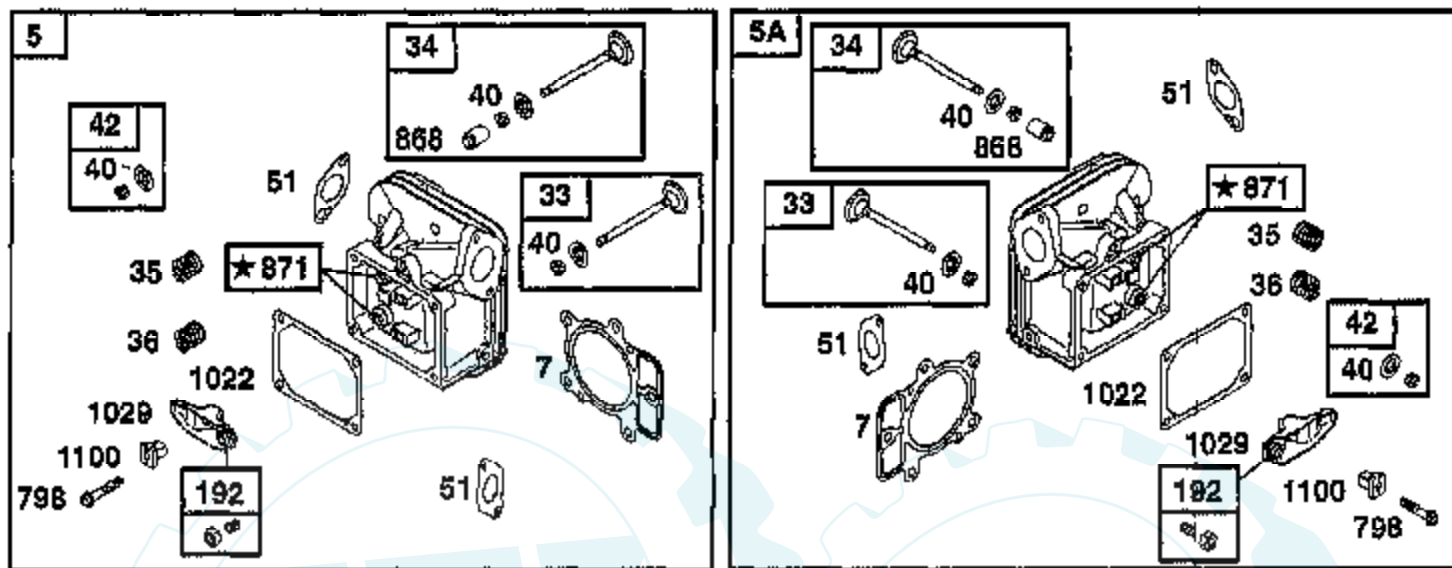


## TRACTOR - - MODEL NUMBER AYP8248A99

BRIGGS & STRATTON ENGINE - MODEL NUMBER 445777, TYPE NUMBER 0112-E1



| Ref # | Part Number | Qty | Description             |
|-------|-------------|-----|-------------------------|
| 1     | 694001      |     | CYLINDER ASSEMBLY       |
| 2     | 499585      |     | BUSHING CYLINDER        |
| 3     | 391086      |     | SEAL, OIL               |
| 4     | 690069      |     | SUMP ENGINE             |
| 5     | 499587      |     | HEAD CYLINDER NO. 1     |
| 5A    | 499595      |     | HEAD CYLINDER NO. 2     |
| 7     | 693997      |     | GASKET-CYLINDER HEAD    |
| 8     | 499601      |     | BREATHER ASSY           |
| 9     | 273370      |     | GASKET BREATHER         |
| 10    | 690960      |     | SCREW, HEX              |
| 11    | 690942      |     | TUBE, BREATHER          |
| 12    | 273488      |     | GASKET CRANKCASE        |
| 13    | 94728       |     | SCREW, CYLINDER HEAD    |
| 15    | 94239       |     | PLUG, OIL DRAIN         |
| 15A   | 94880       |     | PLUG, OIL DRAIN, FLUSH  |
| 16    | 691047      |     | CRANKSHAFT              |
| 20    | 690947      |     | SEAL OIL                |
| 22    | 93764       |     | SCREW-HEX               |
| 23    | 691053      |     | FLYWHEEL                |
| 24    | 222698      |     | KEY, FLYWHEEL           |
| 25    | 694003      |     | PISTON ASSEMBLY         |
| 25    | 694005      |     | PISTON ASSY             |
| 25    | 694007      |     | PISTON ASSY             |
| 25    | 694009      |     | PISTON ASSY             |
| 26    | 694004      |     | RING SET                |
| 26    | 694006      |     | RING SET                |
| 26    | 694008      |     | RING SET                |
| 26    | 494010      |     | RING SET                |
| 27    | 263181      |     | LOCK, PISTON PIN        |
| 28    | 499582      |     | PIN ASSY, PISTON        |
| 29    | 499583      |     | ROD ASSY, CONNECTING    |
| 32    | 95075       |     | SCREW-CONNECTING ROD    |
| 33    | 499596      |     | VALVE, EXHAUST          |
| 34    | 499597      |     | VALVE, INTAKE           |
| 35    | 263163      |     | SPRING-VALVE            |
| 36    | 263163      |     | SPRING-VALVE            |
| 40    | 263215      |     | RETAINER-VALVE          |
| 42    | 499586      |     | KEEPER VALVE            |
| 45    | 262679      |     | TAPPET, VALVE           |
| 46    | 690978      |     | GEAR, CAM               |
| 48    | 693292      |     | SHORT BLOCK             |
| 50    | 690948      |     | MANIFOLD, INTAKE        |
| 51    | 273487      |     | GASKET-INTAKE           |
| 51A   | 805903      |     | GASKET, CARB MOUNTING   |
| 53    | 690951      |     | STUD, CARB. MOUNTING    |
| 54    | 94913       |     | SCREW, TORX HEX         |
| 73    | 691055      |     | SCREEN, ROTATING        |
| 74    | 691057      |     | SCREW, TORX             |
| 75    | 225307      |     | WASHER                  |
| 89    | 91488       |     | PLUG, PIPE              |
| 95    | 805538      |     | SCREW, VALVE MOUNTING   |
| 98    | 499802      |     | SCREW, IDLE SPEED       |
| 104   | 690984      |     | PIN, FLOAT HINGE        |
| 105   | 690985      |     | VALVE, NEEDLE           |
| 108   | 690986      |     | VALVE, CHOKE            |
| 117   | 690232      |     | JET, MAIN (STANDARD)    |
| 117   | 690989      |     | JET-MAIN                |
| 121   | 499811      |     | CARBURETOR OVERHAUL KIT |

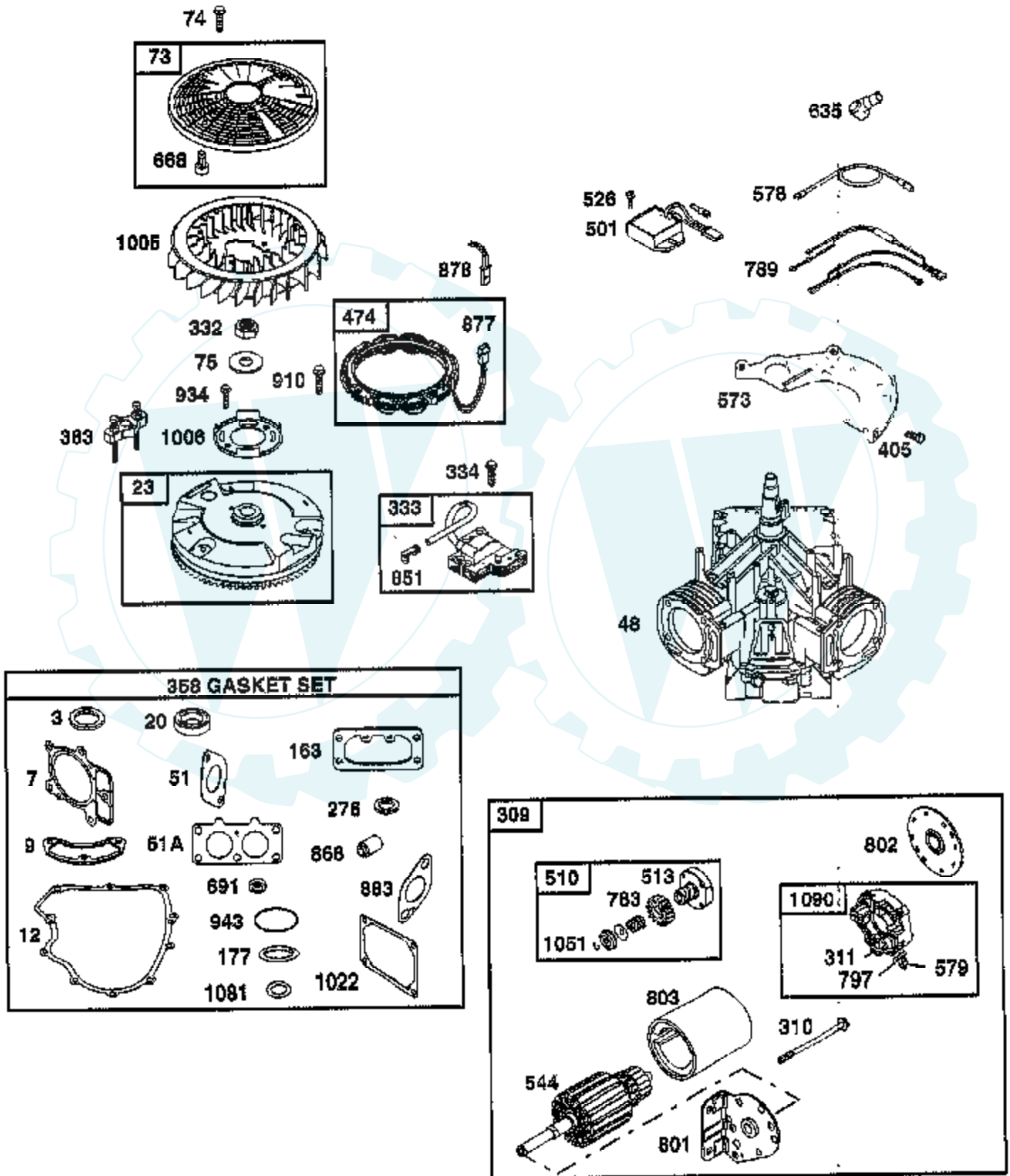
| Ref # | Part Number | Qty | Description                    |
|-------|-------------|-----|--------------------------------|
| 122   | 690952      |     | SPACER, CARBURETOR             |
| 125   | 499804      |     | CARBURETOR                     |
| 130   | 690993      |     | VALVE, THROTTLE                |
| 131   | 499805      |     | SHAFT, THROTTLE                |
| 133   | 499806      |     | FLOAT, CARBURETOR              |
| 135   | 499803      |     | TUBE, FUEL TRANSFER            |
| 137   | 690994      |     | GASKET, FLOAT BOWL             |
| 141   | 499807      |     | SHAFT CHOKE                    |
| 142   | 499808      |     | NOZZLE, CARBURETOR             |
| 146   | 94388       |     | TIMING GEAR KEY                |
| 150   | 690995      |     | GASKET-NOZZLE                  |
| 160   | 690996      |     | RETAINER, SOLENOID             |
| 163   | 273640      |     | GASKET-AIR CLEANER             |
| 177   | 280393      |     | SEAL, FILLER TUBE              |
| 187   | 693180      |     | LINE-FUEL                      |
| 188   | 690960      |     | SCREW, HEX                     |
| 192   | 690083      |     | ADJUSTER, ROCKER ARM           |
| 209   | 691018      |     | SPRING-GOVERNOR                |
| 211   | 691019      |     | SPRING-GOVERNED IDLE           |
| 212   | 691020      |     | LINK, THROTTLE                 |
| 213   | 691021      |     | BRACKET, CHOKE CONTROL         |
| 216   | 691022      |     | LINK, CHOKE                    |
| 219   | 394348      |     | GEAR, GOVERNOR                 |
| 220   | 222773      |     | WASHER, THRUST                 |
| 222   | 691023      |     | PLATE, GOVERNOR CONTROL        |
| 227   | 691048      |     | LEVER ASSY, GOVERNOR           |
| 231   | 805538      |     | SCREW, VALVE MOUNTING          |
| 240   | 691035      |     | FILTER, FUEL                   |
| 252   | 690956      |     | ELEMENT, BREATHER              |
| 256   | 690957      |     | RETAINER, ELEMENT              |
| 265   | 221535      |     | CLAMP                          |
| 267   | 691044      |     | SCREW, HEX                     |
| 276   | 690997      |     | WASHER, SEAL                   |
| 278   | 691017      |     | WASHER                         |
| 304   | 691004      |     | HOUSING, BLOWER                |
| 305   | 95118       |     | SCREW                          |
| 309   | 691262      |     | MOTOR, STARTER                 |
| 310   | 95035       |     | BOLT                           |
| 311   | 497608      |     | BRUSH SET                      |
| 703   | 691010      |     | CLIP-HOSE                      |
| 718   | 230192      |     | PIN, DOWEL                     |
| 741   | 690980      |     | GEAR, TIMING                   |
| 742   | 94296       |     | RETAINER, E-RING               |
| 750   | 691033      |     | SCREW, T-30                    |
| 332   | 230674      |     | NUT, HEX                       |
| 333   | 691060      |     | ARMATURE, MAGNETO              |
| 334   | 94731       |     | SCREW, SEMS                    |
| 337   | 691043      |     | SPARK PLUG                     |
| 358   | 694012      |     | GASKET SET                     |
| 363   | 691062      |     | FLYWHEEL, PULLER               |
| 383   | 690966      |     | WRENCH, SPARK PLUG             |
| 385   | 690960      |     | SCREW, HEX                     |
| 387   | 808281      |     | PUMP-FUEL                      |
| 404   | 223882      |     | WASHER, GOVERNOR CRANK, INSIDE |
| 405   | 94930       |     | SCREW                          |
| 429   | 691003      |     | SCREW, HEX                     |
| 445   | 499486      |     | FILTER-A/C CARTRIDGE           |
| 447   | 94930       |     | SCREW                          |

| Ref # | Part Number | Qty | Description                        |
|-------|-------------|-----|------------------------------------|
| 447A  | 690960      |     | SCREW, HEX                         |
| 467   | 691008      |     | NUT, AIR CLEANER                   |
| 474   | 393295      |     | STATOR, ALTERNATOR                 |
| 501   | 394890      |     | REGULATOR, ALTERNATOR              |
| 505   | 92278       |     | NUT, HEX                           |
| 510   | 497606      |     | DRIVE, STARTER                     |
| 513   | 398003      |     | CLUTCH ASSEMBLY                    |
| 523   | 691036      |     | DIPSTICK, OIL                      |
| 525   | 691037      |     | TUBE, OIL FILL                     |
| 526   | 690960      |     | SCREW, HEX                         |
| 544   | PARTSIMAGE  |     | REFER TO PARTS IMAGE               |
| 552   | 262331      |     | UPPER BUSHING GOVERNOR             |
| 552A  | 262332      |     | LOWER BUSHING, GOVERNOR            |
| 562   | 93853       |     | BOLT, GOVERNOR LEVER               |
| 573   | 691009      |     | PLATE, BLACK                       |
| 578   | 691208      |     | WIRE ASSEMBLY                      |
| 579   | 92278       |     | NUT, HEX                           |
| 601   | 95162       |     | CLAMP, FUEL LINE                   |
| 615   | 93898       |     | RETAINER-GOVERNOR SHAFT            |
| 616   | 691045      |     | CRANK, GOVERNOR                    |
| 628   | 690960      |     | SCREW, HEX                         |
| 633   | 690998      |     | SEAL, CHOKE SHAFT                  |
| 635   | 66538       |     | ELBOW, SPARK PLUG                  |
| 654   | 94010       |     | LOCKNUT, AIR CLEANER MOUNTING      |
| 668   | 94401       |     | SPACER                             |
| 691   | 690657      |     | SEAL, GOVERNOR SHAFT               |
| 697   | 94951       |     | SCREW, HEX HEAD                    |
| 783   | 693058      |     | GEAR, PINION                       |
| 788   | 691039      |     | BRACKET, PUMP                      |
| 789   | 499235      |     | HARNESS-WIRING                     |
| 797   | 693167      |     | NUT (BRUSH RETAINER)               |
| 798   | 690967      |     | SCREW, HEX                         |
| 801   | 499787      |     | CAP-DRIVE                          |
| 802   | 497607      |     | P/N CONFLICT - CHECK WITH SUPPLIER |
| 803   | PARTSIMAGE  |     | REFER TO PARTS IMAGE               |
| 823   | 690960      |     | SCREW, HEX                         |
| 847   | 499602      |     | DIPSTICK/TUBE ASSY                 |
| 851   | 493880      |     | TERMINAL, IGNITION CABLE           |
| 855   | 691011      |     | ADAPTER, AIR                       |
| 865   | 691012      |     | COVER, AIR GUIDE                   |
| 865A  | 691014      |     | COVER-AIR GUIDE (CYLINDER #2)      |
| 865B  | 691015      |     | COVER, AIR GUIDE                   |
| 868   | 690968      |     | SEAL, VALVE                        |
| 871   | 262835      |     | BUSHING, GUIDE (INTAKE & EXHAUST)  |
| 877   | 399916      |     | CONNECTOR-ALT. OUTPUT              |
| 878   | 393362      |     | HARNESS, ALTERNATOR                |
| 881   | 690999      |     | PLATE, COVER                       |
| 910   | 93621       |     | SCREW, SEMS                        |
| 914   | 690960      |     | SCREW, HEX                         |
| 918   | 281730      |     | HOSE-VACUUM                        |
| 934   | 94627       |     | SCREW, SEMS 3/4"                   |
| 943   | 280801      |     | SEAL O-RING                        |
| 947   | 499809      |     | SOLENOID, FUEL                     |
| 965   | 499613      |     | COVER, OIL PUMP                    |
| 967   | 273638      |     | FILTER-PRE-CLEANER                 |
| 968   | 499788      |     | COVER, AIR CLEANER                 |
| 975   | 499810      |     | BOWL, FLOAT                        |
| 977   | 499812      |     | GASKET SET, CARBURETOR             |

| Ref # | Part Number | Qty | Description                    |
|-------|-------------|-----|--------------------------------|
|       | 987 691000  |     | SEAL, THROTTLE SHAFT           |
|       | 993 690234  |     | GASKET, PLATE                  |
|       | 1005 691243 |     | FAN, FLYWHEEL                  |
|       | 1006 224901 |     | RETAINER, FAN                  |
|       | 1013 231573 |     | NIPPLE-OIL FILTER              |
|       | 1017 491722 |     | OIL PUMP SCREEN                |
|       | 1019 693995 |     | LABEL KIT                      |
|       | 1022 273486 |     | GASKET-ROCKER COVER            |
|       | 1023 499599 |     | COVER, ROCKER (CYL. NO.1)      |
| 1023A | 499600      |     | COVER, ROCKER (CYL. NO.2)      |
|       | 1024 499054 |     | PUMP, OIL                      |
|       | 1026 498745 |     | ROD-PUSH (STEEL)               |
|       | 1026 498746 |     | ROD-PUSH (ALUMINUM)            |
|       | 1027 492932 |     | FILTER, OIL                    |
|       | 1029 690972 |     | ARM, ROCKER                    |
|       | 1033 694013 |     | VALVE OVERHAUL KIT             |
|       | 1035 232159 |     | SHAFT-PUMP                     |
|       | 1036 499783 |     | LABEL KIT, EMISSION            |
|       | 1051 263080 |     | RETAINER                       |
|       | 1058 273694 |     | OWNER'S MANUAL                 |
|       | 1081 691032 |     | SEAL, O-RING (OIL FILTER TUBE) |
|       | 1090 691293 |     | RETAINER, BRUSH                |
|       | 1100 806038 |     | PIVOT-ROCKER ARM               |
|       | 1123 690987 |     | O-RING, SOLENOID RETAINER      |
|       | 1124 690988 |     | O-RING, FUEL TRANSFER TUBE     |
|       | 1125 805538 |     | SCREW, VALVE MOUNTING          |
|       | 1126 690991 |     | SCREW, PHILLIPS                |
|       | 1127 690992 |     | SCREW, PHILLIPS                |
|       | 1128 690990 |     | SCREW, PHILLIPS                |

### TRACTOR - - MODEL NUMBER AYP8248A99

BRIGGS & STRATTON ENGINE - MODEL NUMBER 445777, TYPE NUMBER 0112-E1



| Ref # | Part Number | Qty | Description             |
|-------|-------------|-----|-------------------------|
| 1     | 694001      |     | CYLINDER ASSEMBLY       |
| 2     | 499585      |     | BUSHING CYLINDER        |
| 3     | 391086      |     | SEAL, OIL               |
| 4     | 690069      |     | SUMP ENGINE             |
| 5     | 499587      |     | HEAD CYLINDER NO. 1     |
| 5A    | 499595      |     | HEAD CYLINDER NO. 2     |
| 7     | 693997      |     | GASKET-CYLINDER HEAD    |
| 8     | 499601      |     | BREATHER ASSY           |
| 9     | 273370      |     | GASKET BREATHER         |
| 10    | 690960      |     | SCREW, HEX              |
| 11    | 690942      |     | TUBE, BREATHER          |
| 12    | 273488      |     | GASKET CRANKCASE        |
| 13    | 94728       |     | SCREW, CYLINDER HEAD    |
| 15    | 94239       |     | PLUG, OIL DRAIN         |
| 15A   | 94880       |     | PLUG, OIL DRAIN, FLUSH  |
| 16    | 691047      |     | CRANKSHAFT              |
| 20    | 690947      |     | SEAL OIL                |
| 22    | 93764       |     | SCREW-HEX               |
| 23    | 691053      |     | FLYWHEEL                |
| 24    | 222698      |     | KEY, FLYWHEEL           |
| 25    | 694003      |     | PISTON ASSEMBLY         |
| 25    | 694005      |     | PISTON ASSY             |
| 25    | 694007      |     | PISTON ASSY             |
| 25    | 694009      |     | PISTON ASSY             |
| 26    | 694004      |     | RING SET                |
| 26    | 694006      |     | RING SET                |
| 26    | 694008      |     | RING SET                |
| 26    | 494010      |     | RING SET                |
| 27    | 263181      |     | LOCK, PISTON PIN        |
| 28    | 499582      |     | PIN ASSY, PISTON        |
| 29    | 499583      |     | ROD ASSY, CONNECTING    |
| 32    | 95075       |     | SCREW-CONNECTING ROD    |
| 33    | 499596      |     | VALVE, EXHAUST          |
| 34    | 499597      |     | VALVE, INTAKE           |
| 35    | 263163      |     | SPRING-VALVE            |
| 36    | 263163      |     | SPRING-VALVE            |
| 40    | 263215      |     | RETAINER-VALVE          |
| 42    | 499586      |     | KEEPER VALVE            |
| 45    | 262679      |     | TAPPET, VALVE           |
| 46    | 690978      |     | GEAR, CAM               |
| 48    | 693292      |     | SHORT BLOCK             |
| 50    | 690948      |     | MANIFOLD, INTAKE        |
| 51    | 273487      |     | GASKET-INTAKE           |
| 51A   | 805903      |     | GASKET, CARB MOUNTING   |
| 53    | 690951      |     | STUD, CARB. MOUNTING    |
| 54    | 94913       |     | SCREW, TORX HEX         |
| 73    | 691055      |     | SCREEN, ROTATING        |
| 74    | 691057      |     | SCREW, TORX             |
| 75    | 225307      |     | WASHER                  |
| 89    | 91488       |     | PLUG, PIPE              |
| 95    | 805538      |     | SCREW, VALVE MOUNTING   |
| 98    | 499802      |     | SCREW, IDLE SPEED       |
| 104   | 690984      |     | PIN, FLOAT HINGE        |
| 105   | 690985      |     | VALVE, NEEDLE           |
| 108   | 690986      |     | VALVE, CHOKE            |
| 117   | 690232      |     | JET, MAIN (STANDARD)    |
| 117   | 690989      |     | JET-MAIN                |
| 121   | 499811      |     | CARBURETOR OVERHAUL KIT |



| Ref # | Part Number | Qty | Description                    |
|-------|-------------|-----|--------------------------------|
| 122   | 690952      |     | SPACER, CARBURETOR             |
| 125   | 499804      |     | CARBURETOR                     |
| 130   | 690993      |     | VALVE, THROTTLE                |
| 131   | 499805      |     | SHAFT, THROTTLE                |
| 133   | 499806      |     | FLOAT, CARBURETOR              |
| 135   | 499803      |     | TUBE, FUEL TRANSFER            |
| 137   | 690994      |     | GASKET, FLOAT BOWL             |
| 141   | 499807      |     | SHAFT CHOKE                    |
| 142   | 499808      |     | NOZZLE, CARBURETOR             |
| 146   | 94388       |     | TIMING GEAR KEY                |
| 150   | 690995      |     | GASKET-NOZZLE                  |
| 160   | 690996      |     | RETAINER, SOLENOID             |
| 163   | 273640      |     | GASKET-AIR CLEANER             |
| 177   | 280393      |     | SEAL, FILLER TUBE              |
| 187   | 693180      |     | LINE-FUEL                      |
| 188   | 690960      |     | SCREW, HEX                     |
| 192   | 690083      |     | ADJUSTER, ROCKER ARM           |
| 209   | 691018      |     | SPRING-GOVERNOR                |
| 211   | 691019      |     | SPRING-GOVERNED IDLE           |
| 212   | 691020      |     | LINK, THROTTLE                 |
| 213   | 691021      |     | BRACKET, CHOKE CONTROL         |
| 216   | 691022      |     | LINK, CHOKE                    |
| 219   | 394348      |     | GEAR, GOVERNOR                 |
| 220   | 222773      |     | WASHER, THRUST                 |
| 222   | 691023      |     | PLATE, GOVERNOR CONTROL        |
| 227   | 691048      |     | LEVER ASSY, GOVERNOR           |
| 231   | 805538      |     | SCREW, VALVE MOUNTING          |
| 240   | 691035      |     | FILTER, FUEL                   |
| 252   | 690956      |     | ELEMENT, BREATHER              |
| 256   | 690957      |     | RETAINER, ELEMENT              |
| 265   | 221535      |     | CLAMP                          |
| 267   | 691044      |     | SCREW, HEX                     |
| 276   | 690997      |     | WASHER, SEAL                   |
| 278   | 691017      |     | WASHER                         |
| 304   | 691004      |     | HOUSING, BLOWER                |
| 305   | 95118       |     | SCREW                          |
| 309   | 691262      |     | MOTOR, STARTER                 |
| 310   | 95035       |     | BOLT                           |
| 311   | 497608      |     | BRUSH SET                      |
| 703   | 691010      |     | CLIP-HOSE                      |
| 718   | 230192      |     | PIN, DOWEL                     |
| 741   | 690980      |     | GEAR, TIMING                   |
| 742   | 94296       |     | RETAINER, E-RING               |
| 750   | 691033      |     | SCREW, T-30                    |
| 332   | 230674      |     | NUT, HEX                       |
| 333   | 691060      |     | ARMATURE, MAGNETO              |
| 334   | 94731       |     | SCREW, SEMS                    |
| 337   | 691043      |     | SPARK PLUG                     |
| 358   | 694012      |     | GASKET SET                     |
| 363   | 691062      |     | FLYWHEEL, PULLER               |
| 383   | 690966      |     | WRENCH, SPARK PLUG             |
| 385   | 690960      |     | SCREW, HEX                     |
| 387   | 808281      |     | PUMP-FUEL                      |
| 404   | 223882      |     | WASHER, GOVERNOR CRANK, INSIDE |
| 405   | 94930       |     | SCREW                          |
| 429   | 691003      |     | SCREW, HEX                     |
| 445   | 499486      |     | FILTER-A/C CARTRIDGE           |
| 447   | 94930       |     | SCREW                          |



| Ref # | Part Number | Qty | Description                        |
|-------|-------------|-----|------------------------------------|
| 447A  | 690960      |     | SCREW, HEX                         |
| 467   | 691008      |     | NUT, AIR CLEANER                   |
| 474   | 393295      |     | STATOR, ALTERNATOR                 |
| 501   | 394890      |     | REGULATOR, ALTERNATOR              |
| 505   | 92278       |     | NUT, HEX                           |
| 510   | 497606      |     | DRIVE, STARTER                     |
| 513   | 398003      |     | CLUTCH ASSEMBLY                    |
| 523   | 691036      |     | DIPSTICK, OIL                      |
| 525   | 691037      |     | TUBE, OIL FILL                     |
| 526   | 690960      |     | SCREW, HEX                         |
| 544   | PARTSIMAGE  |     | REFER TO PARTS IMAGE               |
| 552   | 262331      |     | UPPER BUSHING GOVERNOR             |
| 552A  | 262332      |     | LOWER BUSHING, GOVERNOR            |
| 562   | 93853       |     | BOLT, GOVERNOR LEVER               |
| 573   | 691009      |     | PLATE, BLACK                       |
| 578   | 691208      |     | WIRE ASSEMBLY                      |
| 579   | 92278       |     | NUT, HEX                           |
| 601   | 95162       |     | CLAMP, FUEL LINE                   |
| 615   | 93898       |     | RETAINER-GOVERNOR SHAFT            |
| 616   | 691045      |     | CRANK, GOVERNOR                    |
| 628   | 690960      |     | SCREW, HEX                         |
| 633   | 690998      |     | SEAL, CHOKE SHAFT                  |
| 635   | 66538       |     | ELBOW, SPARK PLUG                  |
| 654   | 94010       |     | LOCKNUT, AIR CLEANER MOUNTING      |
| 668   | 94401       |     | SPACER                             |
| 691   | 690657      |     | SEAL, GOVERNOR SHAFT               |
| 697   | 94951       |     | SCREW, HEX HEAD                    |
| 783   | 693058      |     | GEAR, PINION                       |
| 788   | 691039      |     | BRACKET, PUMP                      |
| 789   | 499235      |     | HARNESS-WIRING                     |
| 797   | 693167      |     | NUT (BRUSH RETAINER)               |
| 798   | 690967      |     | SCREW, HEX                         |
| 801   | 499787      |     | CAP-DRIVE                          |
| 802   | 497607      |     | P/N CONFLICT - CHECK WITH SUPPLIER |
| 803   | PARTSIMAGE  |     | REFER TO PARTS IMAGE               |
| 823   | 690960      |     | SCREW, HEX                         |
| 847   | 499602      |     | DIPSTICK/TUBE ASSY                 |
| 851   | 493880      |     | TERMINAL, IGNITION CABLE           |
| 855   | 691011      |     | ADAPTER, AIR                       |
| 865   | 691012      |     | COVER, AIR GUIDE                   |
| 865A  | 691014      |     | COVER-AIR GUIDE (CYLINDER #2)      |
| 865B  | 691015      |     | COVER, AIR GUIDE                   |
| 868   | 690968      |     | SEAL, VALVE                        |
| 871   | 262835      |     | BUSHING, GUIDE (INTAKE & EXHAUST)  |
| 877   | 399916      |     | CONNECTOR-ALT. OUTPUT              |
| 878   | 393362      |     | HARNESS, ALTERNATOR                |
| 881   | 690999      |     | PLATE, COVER                       |
| 910   | 93621       |     | SCREW, SEMS                        |
| 914   | 690960      |     | SCREW, HEX                         |
| 918   | 281730      |     | HOSE-VACUUM                        |
| 934   | 94627       |     | SCREW, SEMS 3/4"                   |
| 943   | 280801      |     | SEAL O-RING                        |
| 947   | 499809      |     | SOLENOID, FUEL                     |
| 965   | 499613      |     | COVER, OIL PUMP                    |
| 967   | 273638      |     | FILTER-PRE-CLEANER                 |
| 968   | 499788      |     | COVER, AIR CLEANER                 |
| 975   | 499810      |     | BOWL, FLOAT                        |
| 977   | 499812      |     | GASKET SET, CARBURETOR             |

| Ref # | Part Number | Qty | Description                    |
|-------|-------------|-----|--------------------------------|
|       | 987 691000  |     | SEAL, THROTTLE SHAFT           |
|       | 993 690234  |     | GASKET, PLATE                  |
|       | 1005 691243 |     | FAN, FLYWHEEL                  |
|       | 1006 224901 |     | RETAINER, FAN                  |
|       | 1013 231573 |     | NIPPLE-OIL FILTER              |
|       | 1017 491722 |     | OIL PUMP SCREEN                |
|       | 1019 693995 |     | LABEL KIT                      |
|       | 1022 273486 |     | GASKET-ROCKER COVER            |
|       | 1023 499599 |     | COVER, ROCKER (CYL. NO.1)      |
| 1023A | 499600      |     | COVER, ROCKER (CYL. NO.2)      |
|       | 1024 499054 |     | PUMP, OIL                      |
|       | 1026 498745 |     | ROD-PUSH (STEEL)               |
|       | 1026 498746 |     | ROD-PUSH (ALUMINUM)            |
|       | 1027 492932 |     | FILTER, OIL                    |
|       | 1029 690972 |     | ARM, ROCKER                    |
|       | 1033 694013 |     | VALVE OVERHAUL KIT             |
|       | 1035 232159 |     | SHAFT-PUMP                     |
|       | 1036 499783 |     | LABEL KIT, EMISSION            |
|       | 1051 263080 |     | RETAINER                       |
|       | 1058 273694 |     | OWNER'S MANUAL                 |
|       | 1081 691032 |     | SEAL, O-RING (OIL FILTER TUBE) |
|       | 1090 691293 |     | RETAINER, BRUSH                |
|       | 1100 806038 |     | PIVOT-ROCKER ARM               |
|       | 1123 690987 |     | O-RING, SOLENOID RETAINER      |
|       | 1124 690988 |     | O-RING, FUEL TRANSFER TUBE     |
|       | 1125 805538 |     | SCREW, VALVE MOUNTING          |
|       | 1126 690991 |     | SCREW, PHILLIPS                |
|       | 1127 690992 |     | SCREW, PHILLIPS                |
|       | 1128 690990 |     | SCREW, PHILLIPS                |



| Ref # | Part Number | Qty | Description             |
|-------|-------------|-----|-------------------------|
| 1     | 694001      |     | CYLINDER ASSEMBLY       |
| 2     | 499585      |     | BUSHING CYLINDER        |
| 3     | 391086      |     | SEAL, OIL               |
| 4     | 690069      |     | SUMP ENGINE             |
| 5     | 499587      |     | HEAD CYLINDER NO. 1     |
| 5A    | 499595      |     | HEAD CYLINDER NO. 2     |
| 7     | 693997      |     | GASKET-CYLINDER HEAD    |
| 8     | 499601      |     | BREATHER ASSY           |
| 9     | 273370      |     | GASKET BREATHER         |
| 10    | 690960      |     | SCREW, HEX              |
| 11    | 690942      |     | TUBE, BREATHER          |
| 12    | 273488      |     | GASKET CRANKCASE        |
| 13    | 94728       |     | SCREW, CYLINDER HEAD    |
| 15    | 94239       |     | PLUG, OIL DRAIN         |
| 15A   | 94880       |     | PLUG, OIL DRAIN, FLUSH  |
| 16    | 691047      |     | CRANKSHAFT              |
| 20    | 690947      |     | SEAL OIL                |
| 22    | 93764       |     | SCREW-HEX               |
| 23    | 691053      |     | FLYWHEEL                |
| 24    | 222698      |     | KEY, FLYWHEEL           |
| 25    | 694003      |     | PISTON ASSEMBLY         |
| 25    | 694005      |     | PISTON ASSY             |
| 25    | 694007      |     | PISTON ASSY             |
| 25    | 694009      |     | PISTON ASSY             |
| 26    | 694004      |     | RING SET                |
| 26    | 694006      |     | RING SET                |
| 26    | 694008      |     | RING SET                |
| 26    | 494010      |     | RING SET                |
| 27    | 263181      |     | LOCK, PISTON PIN        |
| 28    | 499582      |     | PIN ASSY, PISTON        |
| 29    | 499583      |     | ROD ASSY, CONNECTING    |
| 32    | 95075       |     | SCREW-CONNECTING ROD    |
| 33    | 499596      |     | VALVE, EXHAUST          |
| 34    | 499597      |     | VALVE, INTAKE           |
| 35    | 263163      |     | SPRING-VALVE            |
| 36    | 263163      |     | SPRING-VALVE            |
| 40    | 263215      |     | RETAINER-VALVE          |
| 42    | 499586      |     | KEEPER VALVE            |
| 45    | 262679      |     | TAPPET, VALVE           |
| 46    | 690978      |     | GEAR, CAM               |
| 48    | 693292      |     | SHORT BLOCK             |
| 50    | 690948      |     | MANIFOLD, INTAKE        |
| 51    | 273487      |     | GASKET-INTAKE           |
| 51A   | 805903      |     | GASKET, CARB MOUNTING   |
| 53    | 690951      |     | STUD, CARB. MOUNTING    |
| 54    | 94913       |     | SCREW, TORX HEX         |
| 73    | 691055      |     | SCREEN, ROTATING        |
| 74    | 691057      |     | SCREW, TORX             |
| 75    | 225307      |     | WASHER                  |
| 89    | 91488       |     | PLUG, PIPE              |
| 95    | 805538      |     | SCREW, VALVE MOUNTING   |
| 98    | 499802      |     | SCREW, IDLE SPEED       |
| 104   | 690984      |     | PIN, FLOAT HINGE        |
| 105   | 690985      |     | VALVE, NEEDLE           |
| 108   | 690986      |     | VALVE, CHOKE            |
| 117   | 690232      |     | JET, MAIN (STANDARD)    |
| 117   | 690989      |     | JET-MAIN                |
| 121   | 499811      |     | CARBURETOR OVERHAUL KIT |

| Ref # | Part Number | Qty | Description                    |
|-------|-------------|-----|--------------------------------|
| 122   | 690952      |     | SPACER, CARBURETOR             |
| 125   | 499804      |     | CARBURETOR                     |
| 130   | 690993      |     | VALVE, THROTTLE                |
| 131   | 499805      |     | SHAFT, THROTTLE                |
| 133   | 499806      |     | FLOAT, CARBURETOR              |
| 135   | 499803      |     | TUBE, FUEL TRANSFER            |
| 137   | 690994      |     | GASKET, FLOAT BOWL             |
| 141   | 499807      |     | SHAFT CHOKE                    |
| 142   | 499808      |     | NOZZLE, CARBURETOR             |
| 146   | 94388       |     | TIMING GEAR KEY                |
| 150   | 690995      |     | GASKET-NOZZLE                  |
| 160   | 690996      |     | RETAINER, SOLENOID             |
| 163   | 273640      |     | GASKET-AIR CLEANER             |
| 177   | 280393      |     | SEAL, FILLER TUBE              |
| 187   | 693180      |     | LINE-FUEL                      |
| 188   | 690960      |     | SCREW, HEX                     |
| 192   | 690083      |     | ADJUSTER, ROCKER ARM           |
| 209   | 691018      |     | SPRING-GOVERNOR                |
| 211   | 691019      |     | SPRING-GOVERNED IDLE           |
| 212   | 691020      |     | LINK, THROTTLE                 |
| 213   | 691021      |     | BRACKET, CHOKE CONTROL         |
| 216   | 691022      |     | LINK, CHOKE                    |
| 219   | 394348      |     | GEAR, GOVERNOR                 |
| 220   | 222773      |     | WASHER, THRUST                 |
| 222   | 691023      |     | PLATE, GOVERNOR CONTROL        |
| 227   | 691048      |     | LEVER ASSY, GOVERNOR           |
| 231   | 805538      |     | SCREW, VALVE MOUNTING          |
| 240   | 691035      |     | FILTER, FUEL                   |
| 252   | 690956      |     | ELEMENT, BREATHER              |
| 256   | 690957      |     | RETAINER, ELEMENT              |
| 265   | 221535      |     | CLAMP                          |
| 267   | 691044      |     | SCREW, HEX                     |
| 276   | 690997      |     | WASHER, SEAL                   |
| 278   | 691017      |     | WASHER                         |
| 304   | 691004      |     | HOUSING, BLOWER                |
| 305   | 95118       |     | SCREW                          |
| 309   | 691262      |     | MOTOR, STARTER                 |
| 310   | 95035       |     | BOLT                           |
| 311   | 497608      |     | BRUSH SET                      |
| 703   | 691010      |     | CLIP-HOSE                      |
| 718   | 230192      |     | PIN, DOWEL                     |
| 741   | 690980      |     | GEAR, TIMING                   |
| 742   | 94296       |     | RETAINER, E-RING               |
| 750   | 691033      |     | SCREW, T-30                    |
| 332   | 230674      |     | NUT, HEX                       |
| 333   | 691060      |     | ARMATURE, MAGNETO              |
| 334   | 94731       |     | SCREW, SEMS                    |
| 337   | 691043      |     | SPARK PLUG                     |
| 358   | 694012      |     | GASKET SET                     |
| 363   | 691062      |     | FLYWHEEL, PULLER               |
| 383   | 690966      |     | WRENCH, SPARK PLUG             |
| 385   | 690960      |     | SCREW, HEX                     |
| 387   | 808281      |     | PUMP-FUEL                      |
| 404   | 223882      |     | WASHER, GOVERNOR CRANK, INSIDE |
| 405   | 94930       |     | SCREW                          |
| 429   | 691003      |     | SCREW, HEX                     |
| 445   | 499486      |     | FILTER-A/C CARTRIDGE           |
| 447   | 94930       |     | SCREW                          |

| Ref # | Part Number | Qty | Description                        |
|-------|-------------|-----|------------------------------------|
| 447A  | 690960      |     | SCREW, HEX                         |
| 467   | 691008      |     | NUT, AIR CLEANER                   |
| 474   | 393295      |     | STATOR, ALTERNATOR                 |
| 501   | 394890      |     | REGULATOR, ALTERNATOR              |
| 505   | 92278       |     | NUT, HEX                           |
| 510   | 497606      |     | DRIVE, STARTER                     |
| 513   | 398003      |     | CLUTCH ASSEMBLY                    |
| 523   | 691036      |     | DIPSTICK, OIL                      |
| 525   | 691037      |     | TUBE, OIL FILL                     |
| 526   | 690960      |     | SCREW, HEX                         |
| 544   | PARTSIMAGE  |     | REFER TO PARTS IMAGE               |
| 552   | 262331      |     | UPPER BUSHING GOVERNOR             |
| 552A  | 262332      |     | LOWER BUSHING, GOVERNOR            |
| 562   | 93853       |     | BOLT, GOVERNOR LEVER               |
| 573   | 691009      |     | PLATE, BLACK                       |
| 578   | 691208      |     | WIRE ASSEMBLY                      |
| 579   | 92278       |     | NUT, HEX                           |
| 601   | 95162       |     | CLAMP, FUEL LINE                   |
| 615   | 93898       |     | RETAINER-GOVERNOR SHAFT            |
| 616   | 691045      |     | CRANK, GOVERNOR                    |
| 628   | 690960      |     | SCREW, HEX                         |
| 633   | 690998      |     | SEAL, CHOKE SHAFT                  |
| 635   | 66538       |     | ELBOW, SPARK PLUG                  |
| 654   | 94010       |     | LOCKNUT, AIR CLEANER MOUNTING      |
| 668   | 94401       |     | SPACER                             |
| 691   | 690657      |     | SEAL, GOVERNOR SHAFT               |
| 697   | 94951       |     | SCREW, HEX HEAD                    |
| 783   | 693058      |     | GEAR, PINION                       |
| 788   | 691039      |     | BRACKET, PUMP                      |
| 789   | 499235      |     | HARNESS-WIRING                     |
| 797   | 693167      |     | NUT (BRUSH RETAINER)               |
| 798   | 690967      |     | SCREW, HEX                         |
| 801   | 499787      |     | CAP-DRIVE                          |
| 802   | 497607      |     | P/N CONFLICT - CHECK WITH SUPPLIER |
| 803   | PARTSIMAGE  |     | REFER TO PARTS IMAGE               |
| 823   | 690960      |     | SCREW, HEX                         |
| 847   | 499602      |     | DIPSTICK/TUBE ASSY                 |
| 851   | 493880      |     | TERMINAL, IGNITION CABLE           |
| 855   | 691011      |     | ADAPTER, AIR                       |
| 865   | 691012      |     | COVER, AIR GUIDE                   |
| 865A  | 691014      |     | COVER-AIR GUIDE (CYLINDER #2)      |
| 865B  | 691015      |     | COVER, AIR GUIDE                   |
| 868   | 690968      |     | SEAL, VALVE                        |
| 871   | 262835      |     | BUSHING, GUIDE (INTAKE & EXHAUST)  |
| 877   | 399916      |     | CONNECTOR-ALT. OUTPUT              |
| 878   | 393362      |     | HARNESS, ALTERNATOR                |
| 881   | 690999      |     | PLATE, COVER                       |
| 910   | 93621       |     | SCREW, SEMS                        |
| 914   | 690960      |     | SCREW, HEX                         |
| 918   | 281730      |     | HOSE-VACUUM                        |
| 934   | 94627       |     | SCREW, SEMS 3/4"                   |
| 943   | 280801      |     | SEAL O-RING                        |
| 947   | 499809      |     | SOLENOID, FUEL                     |
| 965   | 499613      |     | COVER, OIL PUMP                    |
| 967   | 273638      |     | FILTER-PRE-CLEANER                 |
| 968   | 499788      |     | COVER, AIR CLEANER                 |
| 975   | 499810      |     | BOWL, FLOAT                        |
| 977   | 499812      |     | GASKET SET, CARBURETOR             |

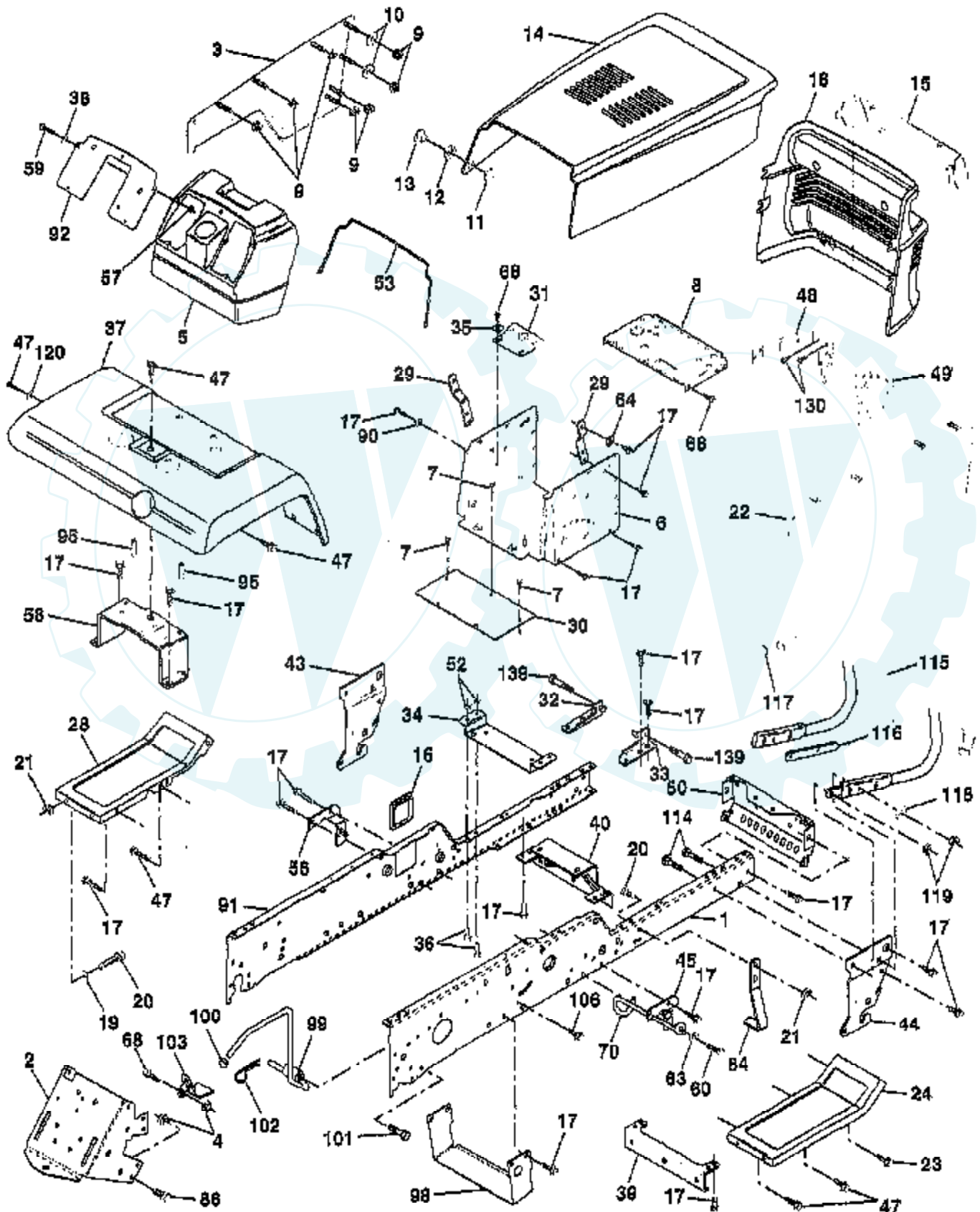
| Ref # | Part Number | Qty | Description                    |
|-------|-------------|-----|--------------------------------|
|       | 987 691000  |     | SEAL, THROTTLE SHAFT           |
|       | 993 690234  |     | GASKET, PLATE                  |
|       | 1005 691243 |     | FAN, FLYWHEEL                  |
|       | 1006 224901 |     | RETAINER, FAN                  |
|       | 1013 231573 |     | NIPPLE-OIL FILTER              |
|       | 1017 491722 |     | OIL PUMP SCREEN                |
|       | 1019 693995 |     | LABEL KIT                      |
|       | 1022 273486 |     | GASKET-ROCKER COVER            |
|       | 1023 499599 |     | COVER, ROCKER (CYL. NO.1)      |
| 1023A | 499600      |     | COVER, ROCKER (CYL. NO.2)      |
|       | 1024 499054 |     | PUMP, OIL                      |
|       | 1026 498745 |     | ROD-PUSH (STEEL)               |
|       | 1026 498746 |     | ROD-PUSH (ALUMINUM)            |
|       | 1027 492932 |     | FILTER, OIL                    |
|       | 1029 690972 |     | ARM, ROCKER                    |
|       | 1033 694013 |     | VALVE OVERHAUL KIT             |
|       | 1035 232159 |     | SHAFT-PUMP                     |
|       | 1036 499783 |     | LABEL KIT, EMISSION            |
|       | 1051 263080 |     | RETAINER                       |
|       | 1058 273694 |     | OWNER'S MANUAL                 |
|       | 1081 691032 |     | SEAL, O-RING (OIL FILTER TUBE) |
|       | 1090 691293 |     | RETAINER, BRUSH                |
|       | 1100 806038 |     | PIVOT-ROCKER ARM               |
|       | 1123 690987 |     | O-RING, SOLENOID RETAINER      |
|       | 1124 690988 |     | O-RING, FUEL TRANSFER TUBE     |
|       | 1125 805538 |     | SCREW, VALVE MOUNTING          |
|       | 1126 690991 |     | SCREW, PHILLIPS                |
|       | 1127 690992 |     | SCREW, PHILLIPS                |
|       | 1128 690990 |     | SCREW, PHILLIPS                |





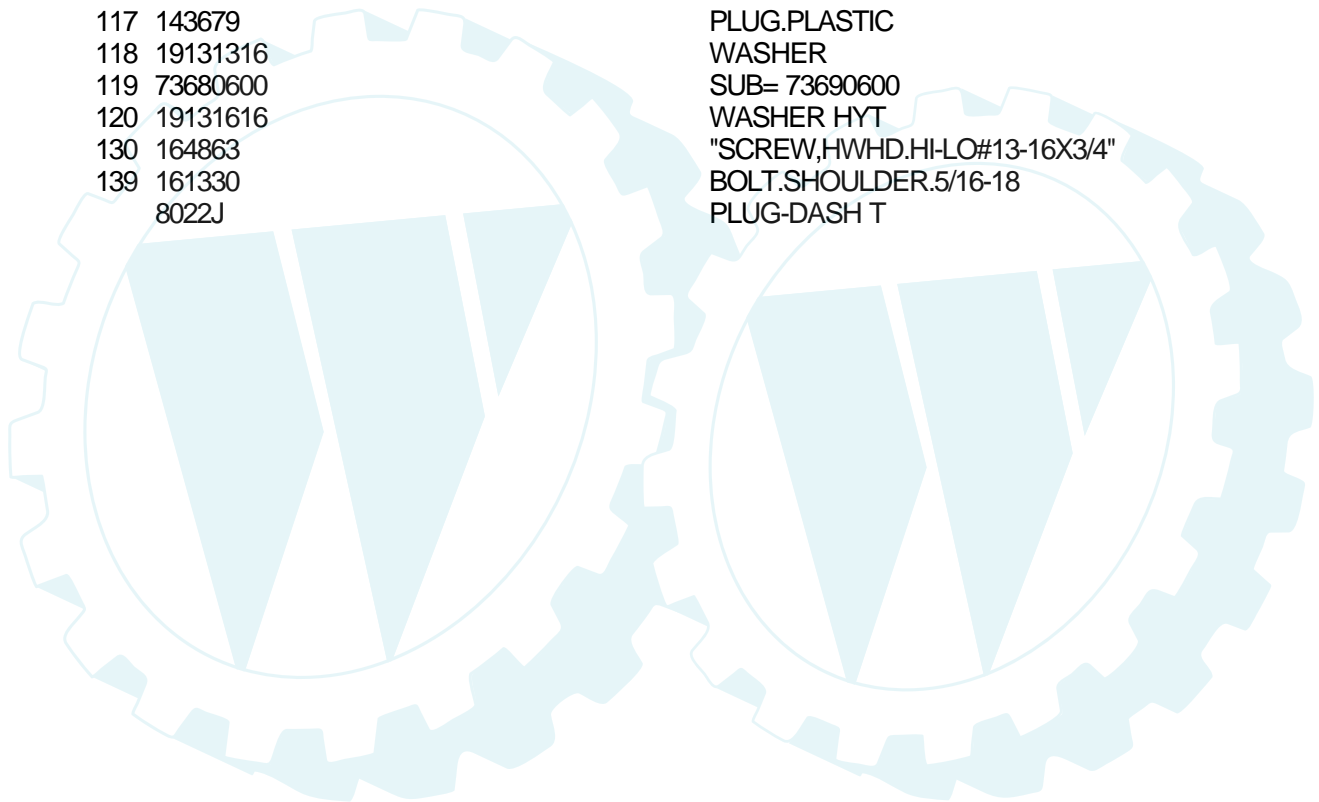
# TRACTOR - - MODEL NUMBER AYP8248A99

## CHASSIS AND ENCLOSURES



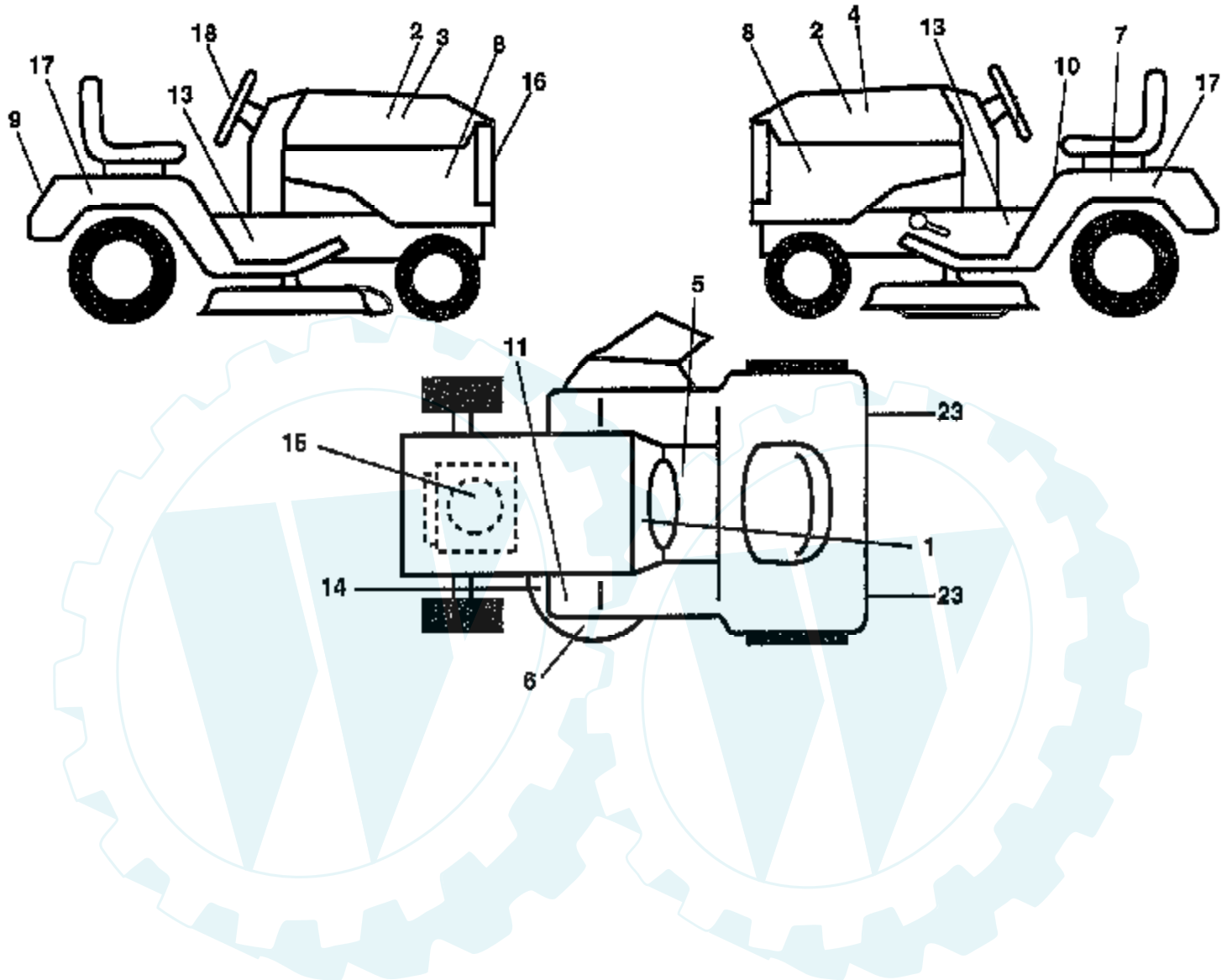
| Ref # | Part Number | Qty | Description           |
|-------|-------------|-----|-----------------------|
| 1     | 150253      |     | "RAIL,FRAME RH"       |
| 2     | 140506      |     | DRAWBAR GT            |
| 3     | 136671X418  |     | PANEL.ASM.SIDE.LH     |
| 4     | 73800700    |     | NUT.7/16              |
| 5     | 145203      |     | DASH.PLASTIC.BLK      |
| 6     | 157882      |     | DASH LOWER            |
| 7     | 17720408    |     | SCREW                 |
| 8     | 145166      |     | SUPPORT.DASH.BTRY     |
| 9     | 108067X     |     | PAL NUT LT            |
| 10    | 19092016    |     | WASHER                |
| 11    | 137270      |     | RIVET.RATCHET.MAL     |
| 12    | 137269      |     | WASHER.NYLON          |
| 13    | 137271      |     | RIVET.RATCH.FEMAL     |
| 14    | 136673X418  |     | HOOD ASM PNT          |
| 15    | 136374X599  |     | LENS.YT.GT.SEARS      |
| 16    | 121794X     |     | COVER ACCESS          |
| 17    | 17490612    |     | SCREW                 |
| 18    | 136373X428  |     | SUB= 136375           |
| 19    | 19131312    |     | WASHER                |
| 20    | 74760616    |     | BOLT                  |
| 21    | 73680600    |     | SUB= 73690600         |
| 22    | 136670X418  |     | PANEL.ASM.SIDE.RH     |
| 23    | 17490616    |     | SCREW GTV             |
| 24    | 145243X418  |     | FOOTREST.RH.LT/GT     |
| 28    | 145244X418  |     | FOOTREST.LT.LT/GT     |
| 29    | 145205      |     | DASH.SUPT.YP/HUSQ     |
| 30    | 145052      |     | SADDLE.HYDRO.95       |
| 31    | 161419      |     | BRKT SUPT 1-PC VG     |
| 32    | 161327      |     | BKRT.PIVOT.CHASSIS.LH |
| 33    | 161326      |     | BKRT.PIVOT.CHASSIS.RH |
| 34    | 142131      |     | BRACKET.ENG.SUPT.     |
| 35    | 19111116    |     | WASHER                |
| 36    | 74780512    |     | BOLT                  |
| 37    | 140002X418  |     | FENDER.YT/GT          |
| 38    | 19091216    |     | WASHER PM             |
| 39    | 136961      |     | BRACKET.AXLE.FRT.     |
| 40    | 156111      |     | "BRKT SUPPORT,AXLE"   |
| 43    | 136939      |     | BRACKET.SUS.FT.LH     |
| 44    | 136940      |     | BRACKET.SUS.FT.RH     |
| 45    | 154913      |     | BRACKET.SUSP.RH.      |
| 47    | 17490608    |     | SCREW LT              |
| 48    | 157105      |     | BRKT ASM PIVOT LH     |
| 49    | 157107      |     | BRKT ASM PIVOT RH     |
| 50    | 152728      |     | "BRKT CHASSIS,FRNT"   |
| 52    | 73680500    |     | SUB= 73690500         |
| 53    | 161829      |     | ROD SUPT HOOD DUC     |
| 56    | 154914      |     | BRACKET.SUSP.LH.      |
| 57    | 73640400    |     | NUT HXKEP 1/4X20      |
| 58    | 137113      |     | BRKT.ASM.FENDER       |
| 59    | 74180412    |     | SCREW                 |
| 60    | 17490620    |     | SCREW                 |
| 63    | 19131614    |     | WASHER                |
| 64    | 144283      |     | WASHER.SERRATED.      |
| 68    | 17490508    |     | SCREW LT              |
| 70    | 137159      |     | GUIDE.BELT.MID.SP     |
| 72    | 74180512    |     | SCREW                 |
| 84    | 142992      |     | STOP OVER CENTER      |
| 86    | 74760716    |     | BOLT                  |

| Ref # | Part Number | Qty | Description                  |
|-------|-------------|-----|------------------------------|
| 90    | 11050600    |     | LOCKWASHER                   |
| 91    | 156586      |     | "RAIL FRAME,LH"              |
| 92    | 166680X010  |     | PLATE.SIKLSCREEN.DASH        |
| 95    | 105531X     |     | NUT-PUSH YT                  |
| 98    | 140503      |     | BRACKET SKID CHAS            |
| 99    | 140871      |     | ROD BYPASS                   |
| 100   | 124236X     |     | CAP                          |
| 101   | 17490628    |     | SCREW LT                     |
| 102   | 4497H       |     | RETAINER M                   |
| 103   | 142273      |     | LOCK BYPASS BRKT             |
| 106   | 138776      |     | SUB= 157722                  |
| 114   | 72140610    |     | BOLT.3/8-14X1.25             |
| 115   | 150300      |     | BUMPER.ASM                   |
| 116   | 141461      |     | BRACKET.EXT.BUMP.            |
| 117   | 143679      |     | PLUG.PLASTIC                 |
| 118   | 19131316    |     | WASHER                       |
| 119   | 73680600    |     | SUB= 73690600                |
| 120   | 19131616    |     | WASHER HYT                   |
| 130   | 164863      |     | "SCREW,HWHD.HI-LO#13-16X3/4" |
| 139   | 161330      |     | BOLT.SHOULDER.5/16-18        |
|       | 8022J       |     | PLUG-DASH T                  |

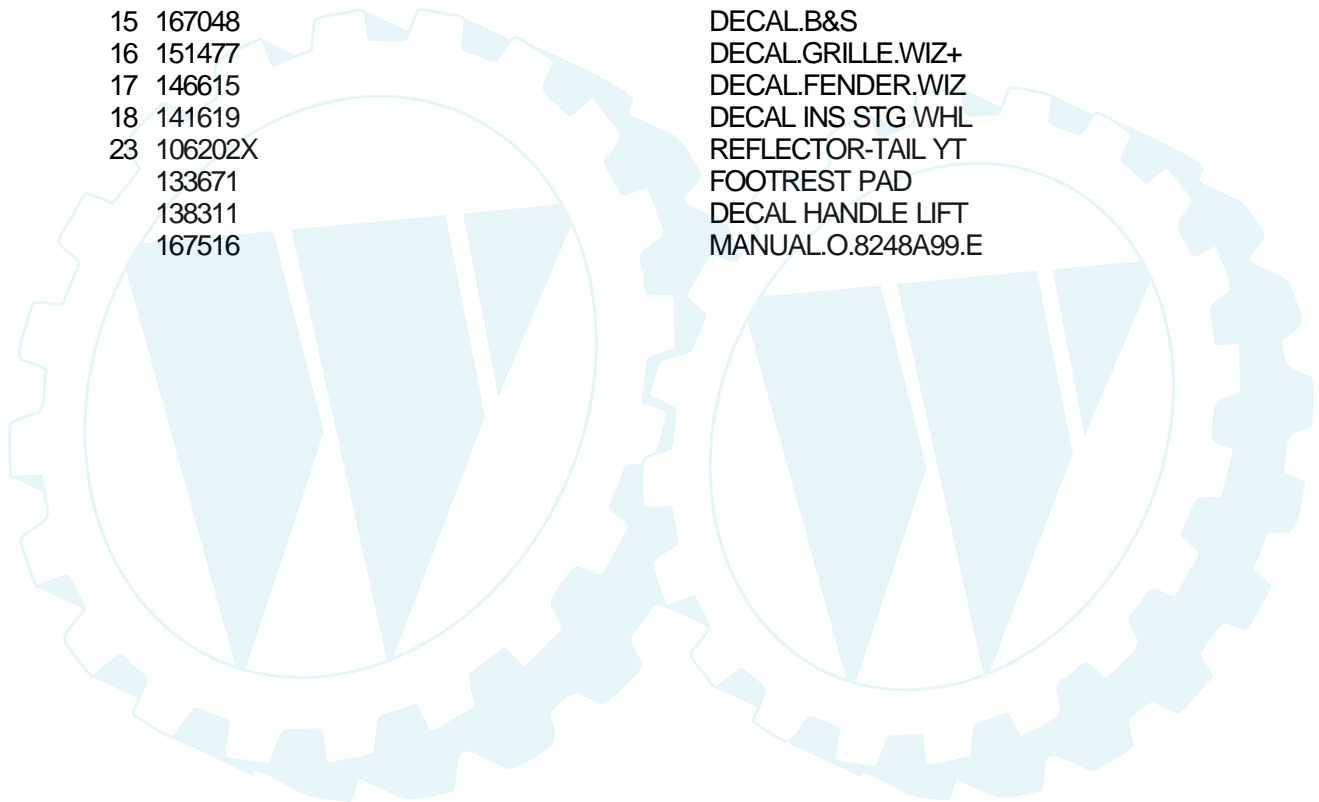


### TRACTOR - - MODEL NUMBER AYP8248A99

#### DECALS

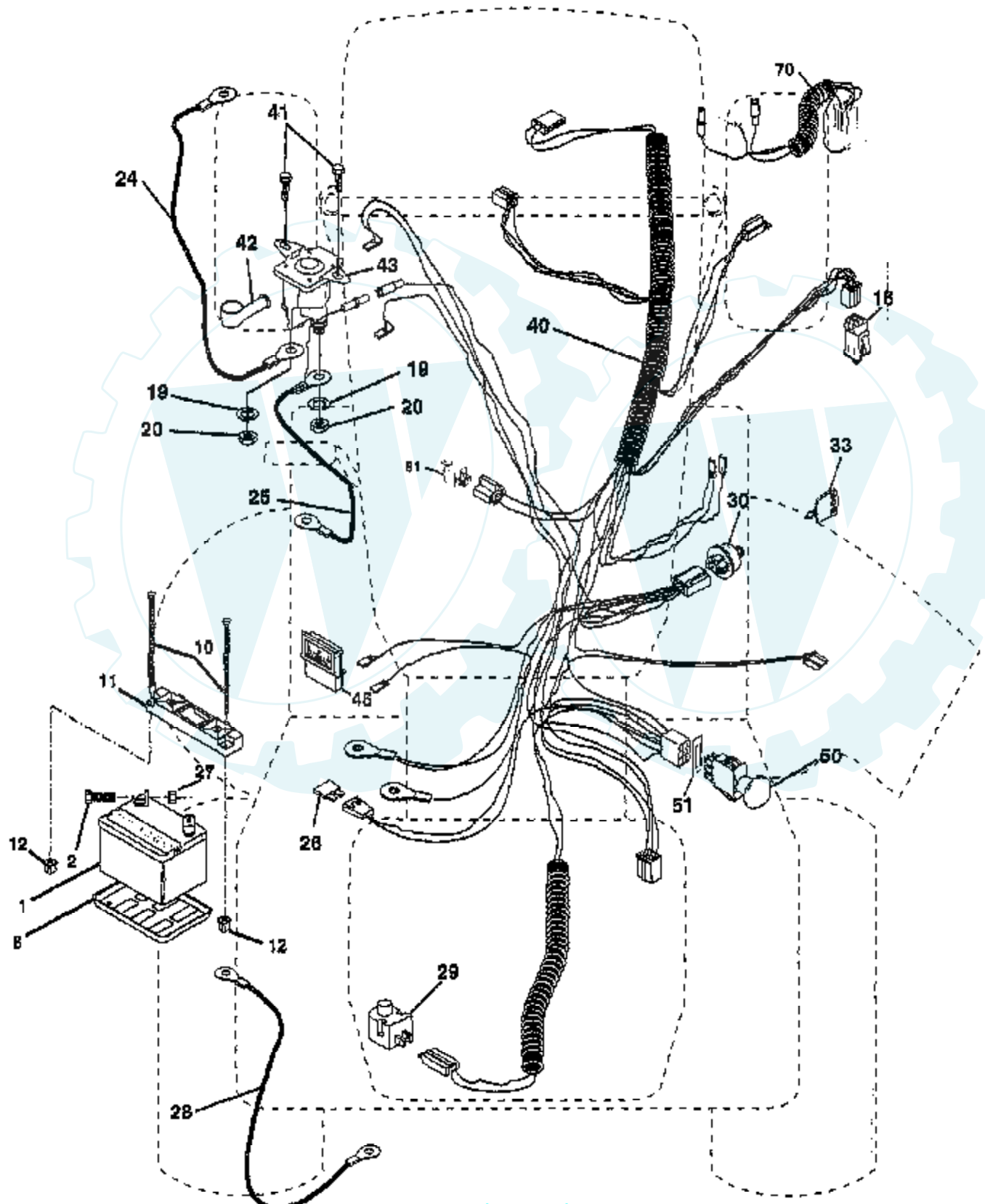


| Ref # | Part Number | Qty | Description         |
|-------|-------------|-----|---------------------|
| 1     | 156835      |     | "DECAL-INST,OPER"   |
| 2     | 143388      |     | NAMEPLATE.HD.WIZA   |
| 3     | 167251      |     | DECAL.HOOD.RH       |
| 4     | 167252      |     | DECAL.HOOD.LH       |
| 5     | 140837      |     | DECAL BRAK PARK     |
| 6     | 141517      |     | DECAL DECK WIZ +    |
| 7     | 145005      |     | DECAL.BATRY.3-3908  |
| 8     | 167410      |     | DECAL, PNL SIDE     |
| 9     | 127520      |     | NLA                 |
| 10    | 157002      |     | "DECAL DANGER,FEND" |
| 11    | 4900J       |     | DECAL T             |
|       | 142342      |     | DECAL D-BAR CNTRL   |
| 13    | 141587      |     | DECAL CHASSIS 50    |
| 14    | 160397      |     | SUB= 532160397      |
| 15    | 167048      |     | DECAL.B&S           |
| 16    | 151477      |     | DECAL.GRILLE.WIZ+   |
| 17    | 146615      |     | DECAL.FENDER.WIZ    |
| 18    | 141619      |     | DECAL INS STG WHL   |
| 23    | 106202X     |     | REFLECTOR-TAIL YT   |
|       | 133671      |     | FOOTREST PAD        |
|       | 138311      |     | DECAL HANDLE LIFT   |
|       | 167516      |     | MANUAL.O.8248A99.E  |



# TRACTOR - - MODEL NUMBER AYP8248A99

## ELECTRICAL

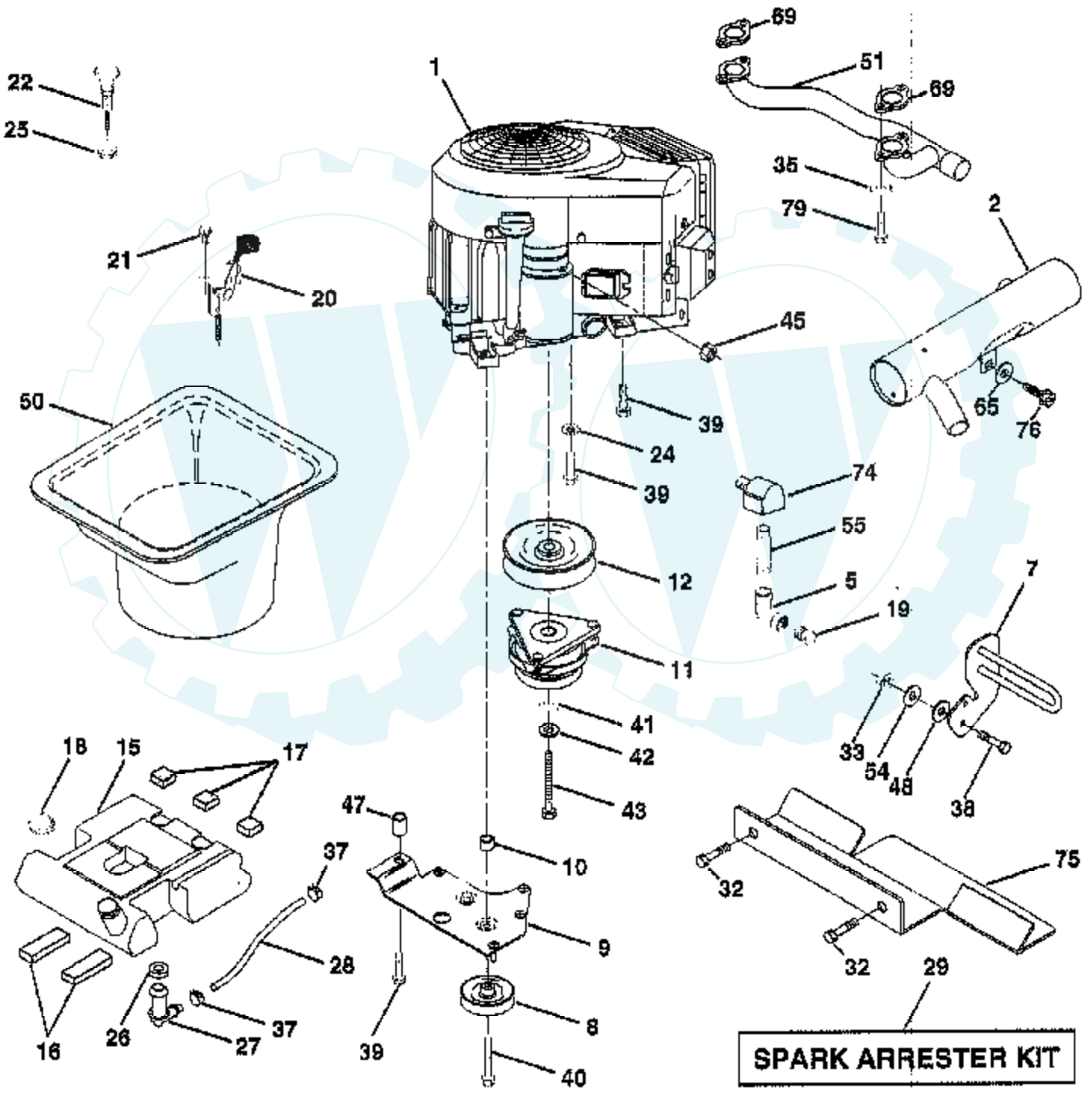


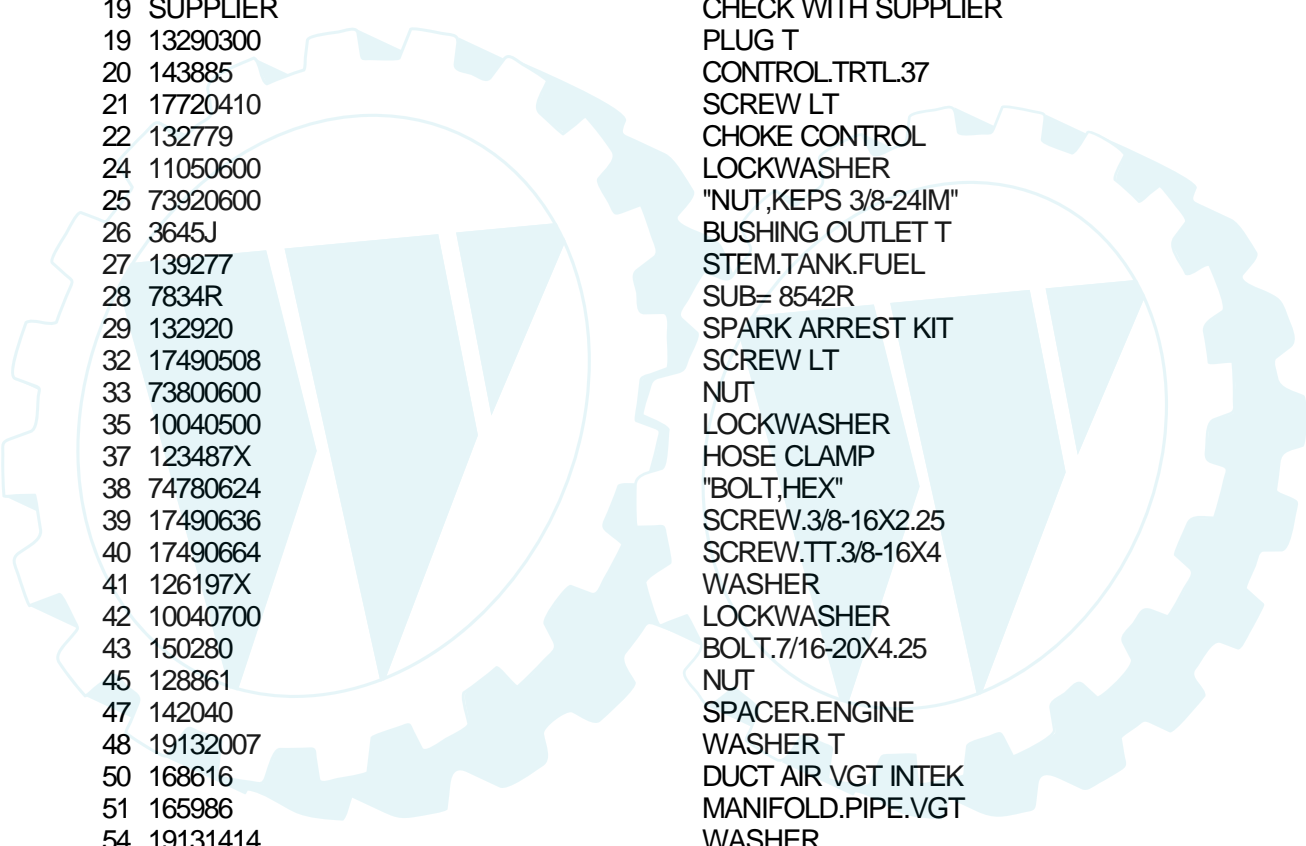
| Ref # | Part Number | Qty | Description              |
|-------|-------------|-----|--------------------------|
| 1     | 144926      |     | SUB= 123899X             |
| 2     | 74760412    |     | BOLT LT                  |
| 8     | 7603J       |     | "TRAY T, BATTERY"        |
| 10    | 145211      |     | SUB= 150177              |
| 11    | 150109      |     | HOLDDOWN BATTERY         |
| 12    | 145769      |     | SUB= 150177              |
| 16    | 153664      |     | SWITCH INTERLOCK         |
| 19    | 10090400    |     | SUB= 10040400            |
| 20    | 73350400    |     | NUT                      |
| 21    | 166181      |     | HARNES.ASM.LIGHT W/4152J |
| 22    | 4152J       |     | HEADLAMP BULB            |
| 24    | 4206J       |     | CABLE-BATTERY T          |
| 25    | 146149      |     | CABLE.6GA.12.5.          |
| 26    | 108824X     |     | FUSE HYT                 |
| 27    | 73510400    |     | NUT                      |
| 28    | 4207J       |     | CABLE T                  |
| 29    | 160784      |     | SWITCH.PLUNGER           |
| 30    | 163968      |     | SWITCH.IGN.              |
| 33    | 140401      |     | KEY MLD GEN DELTA        |
| 40    | 166177      |     | HARNES.IGNITION          |
| 41    | 17720408    |     | SCREW                    |
| 42    | 131563      |     | SUB= 154336              |
| 43    | 145673      |     | SUB= 146154              |
| 45    | 122822X     |     | AMMETER                  |
| 50    | 154959      |     | PTO SWITCH.BLK           |
| 51    | 140405      |     | RING RETAIN PTO          |
| 70    | 164767      |     | HARNES.ENGINE            |
| 81    | 109748X     |     | RELAY ASSY T             |



# TRACTOR - - MODEL NUMBER AYP8248A99

## ENGINE

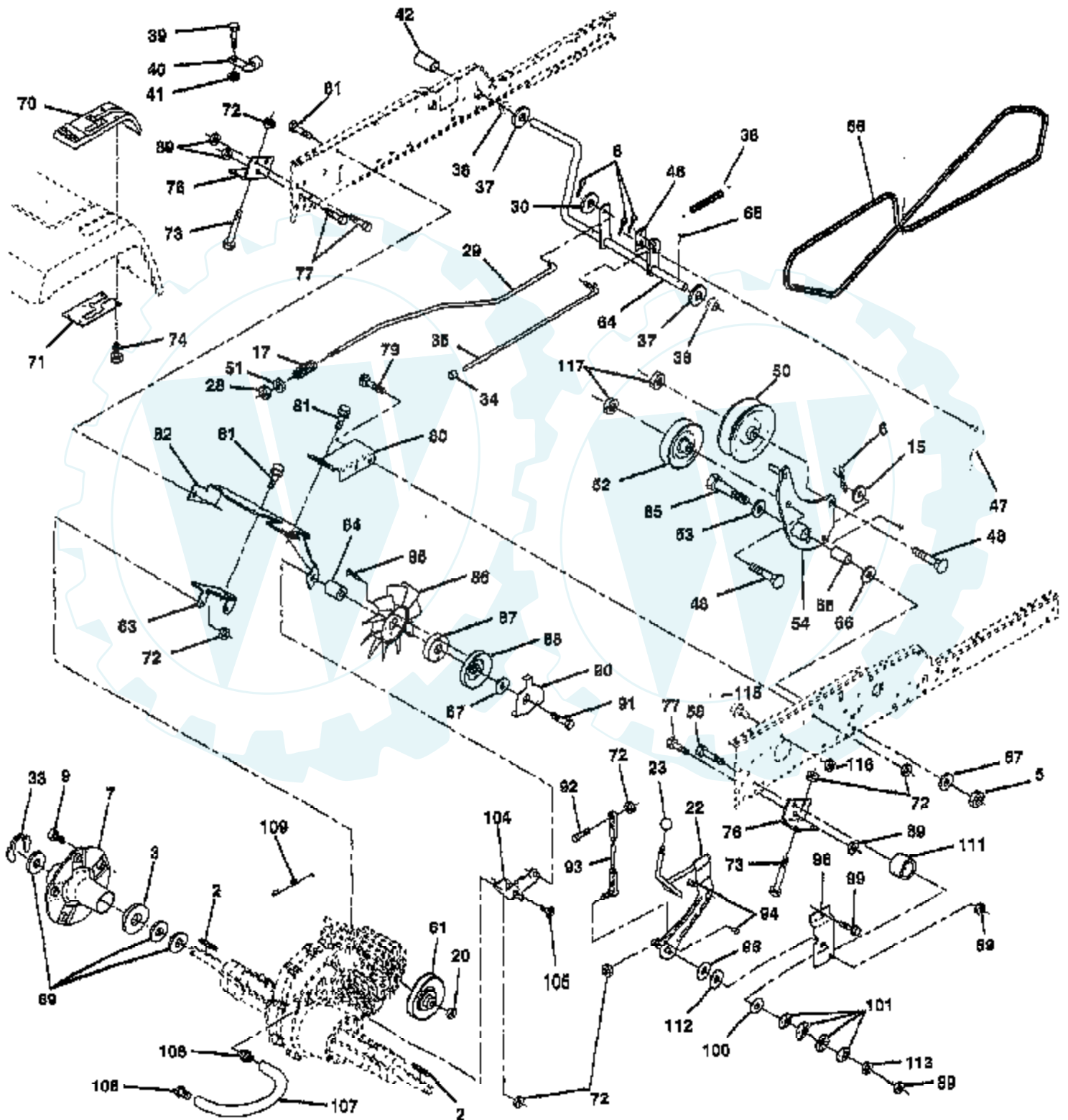




| Ref # | Part Number | Qty | Description           |
|-------|-------------|-----|-----------------------|
| 1     | PARTSIMAGE  |     | REFER TO PARTS IMAGE  |
| 2     | 161063      |     | MUFFLER.SIDE.VGT      |
| 5     | 13200300    |     | ELBOW                 |
| 7     | 151396      |     | GUARD.MUFFLER.ASM     |
| 8     | 121361X     |     | SUB= 139123           |
| 9     | 150828      |     | KEEPER ASM BELT       |
| 10    | 105432X     |     | BUSHING.              |
| 11    | 140923      |     | SUB= 150283           |
| 12    | 143996      |     | PULLEY.ENG.CLUTCH     |
| 15    | 151346      |     | TANK FUEL REAR        |
| 16    | 109227X     |     | PAD IDLER TI          |
| 17    | 106082X     |     | PAD-SPACER LT         |
| 18    | 140527      |     | CAP ASM FUEL          |
| 19    | SUPPLIER    |     | CHECK WITH SUPPLIER   |
| 19    | 13290300    |     | PLUG T                |
| 20    | 143885      |     | CONTROL.TRTL.37       |
| 21    | 17720410    |     | SCREW LT              |
| 22    | 132779      |     | CHOKE CONTROL         |
| 24    | 11050600    |     | LOCKWASHER            |
| 25    | 73920600    |     | "NUT,KEPS 3/8-24IM"   |
| 26    | 3645J       |     | BUSHING OUTLET T      |
| 27    | 139277      |     | STEM.TANK.FUEL        |
| 28    | 7834R       |     | SUB= 8542R            |
| 29    | 132920      |     | SPARK ARREST KIT      |
| 32    | 17490508    |     | SCREW LT              |
| 33    | 73800600    |     | NUT                   |
| 35    | 10040500    |     | LOCKWASHER            |
| 37    | 123487X     |     | HOSE CLAMP            |
| 38    | 74780624    |     | "BOLT,HEX"            |
| 39    | 17490636    |     | SCREW.3/8-16X2.25     |
| 40    | 17490664    |     | SCREW.TT.3/8-16X4     |
| 41    | 126197X     |     | WASHER                |
| 42    | 10040700    |     | LOCKWASHER            |
| 43    | 150280      |     | BOLT.7/16-20X4.25     |
| 45    | 128861      |     | NUT                   |
| 47    | 142040      |     | SPACER.ENGINE         |
| 48    | 19132007    |     | WASHER T              |
| 50    | 168616      |     | DUCT AIR VGT INTEK    |
| 51    | 165986      |     | MANIFOLD.PIPE.VGT     |
| 54    | 19131414    |     | WASHER                |
| 55    | 13280336    |     | PIPE NIPPLE LT        |
| 65    | 19131614    |     | WASHER                |
| 69    | 165391      |     | SUB= 273485           |
| 74    | 162295      |     | ELBOW STREET BASS     |
| 75    | 163776      |     | SHIELD.HEAT.INTEK.VGT |
| 76    | 17490612    |     | SCREW                 |
| 79    | 71070512    |     | SCREW                 |

# TRACTOR - - MODEL NUMBER AYP8248A99

## GROUND DRIVE



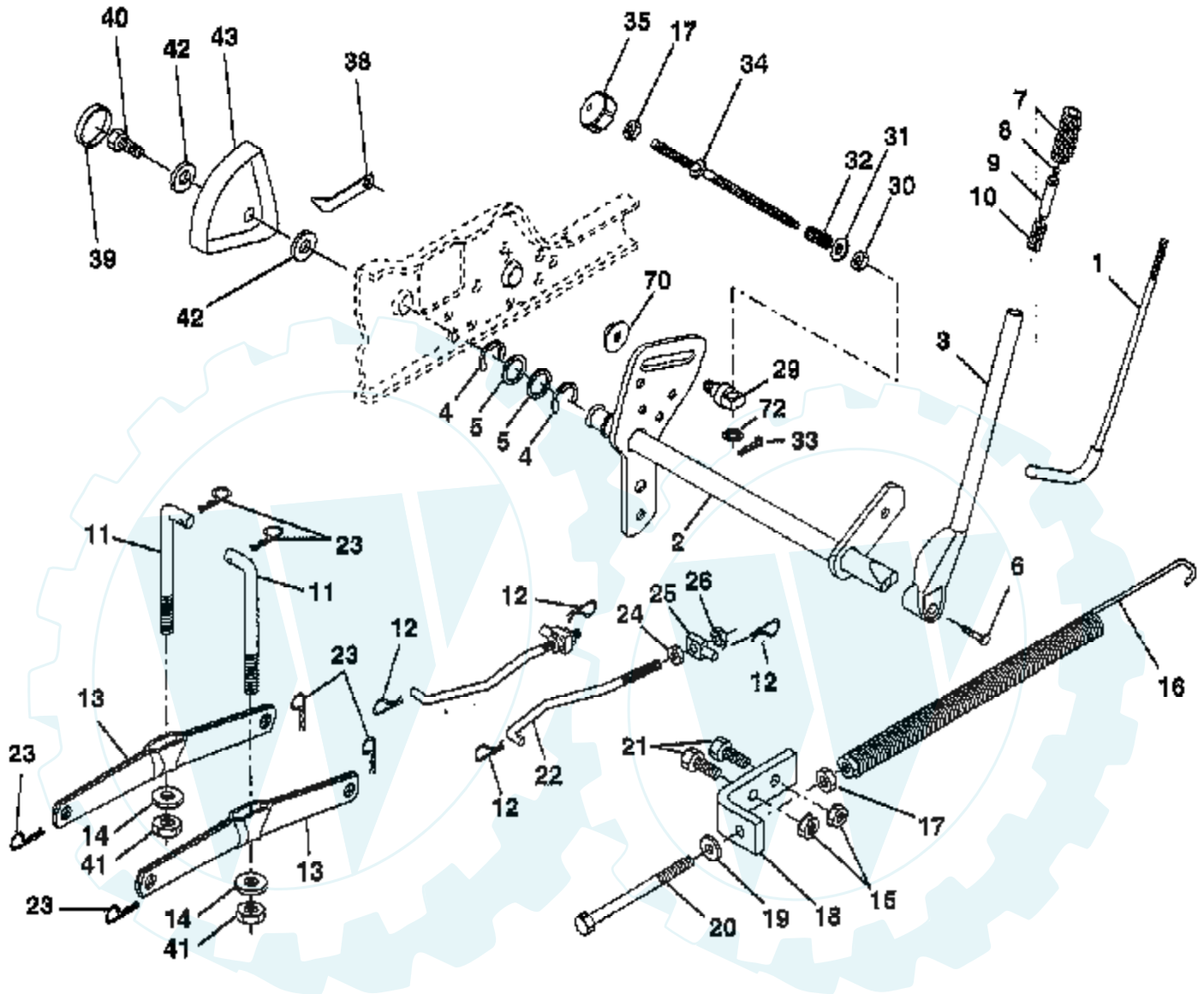
| Ref # | Part Number | Qty | Description                    |
|-------|-------------|-----|--------------------------------|
| 2     | 7070E       |     | KEY 1/4 X 2.5                  |
| 3     | 7563R       |     | WASHER T                       |
| 5     | 73680600    |     | SUB= 73690600                  |
| 6     | 76020412    |     | COTTER PIN                     |
| 7     | 140507      |     | HUB WHEEL ASM                  |
| 9     | 140080      |     | BOLT.HUB.WHL.REAR              |
| 15    | 19131316    |     | WASHER                         |
| 17    | 140921      |     | SPRING ROD BRAKE               |
| 20    | 73940800    |     | SUB= 73360800                  |
| 22    | 156103      |     | ARM ASM SHIFT                  |
| 23    | 121274X     |     | KNOB.DUCKHEAD.1/2              |
| 28    | 73350600    |     | NUT                            |
| 29    | 140494      |     | ROD BRAKE                      |
| 30    | 19131616    |     | WASHER HYT                     |
| 33    | 12000053    |     | E RING HYT                     |
| 34    | 124236X     |     | CAP                            |
| 35    | 137648      |     | ROD BRAKE PART GT              |
| 36    | 149412      |     | SPRING.GRND.DRIVE              |
| 37    | 121749X     |     | WASHER                         |
| 38    | 150035      |     | BUSHING.NYLINER                |
| 39    | 74321016    |     | SCREW                          |
| 40    | 5304J       |     | ACT-SWITCH T                   |
| 41    | 73661000    |     | NUT.FLANGE                     |
| 42    | 8883R       |     | PEDAL COVER T                  |
| 46    | 145170      |     | RETAINER.SPRING                |
| 47    | 138228      |     | ROD.CLUTCH                     |
| 48    | 72110612    |     | BOLT.3/8-16X1.50               |
| 50    | 131494      |     | FLAT IDLER PULLEY              |
| 51    | 73800600    |     | NUT                            |
| 52    | 139123      |     | PULLEY.IDLER.V.GR              |
| 53    | 207J        |     | WASHER T                       |
| 54    | 161590      |     | CLUTCH.ARM.ASM                 |
| 55    | 105706X     |     | "LY, BEARING"                  |
| 56    | 140218      |     | BELT-V 84.5                    |
| 58    | 74760724    |     | BOLT                           |
| 61    | 140488      |     | PULLEY TRANSAXLE               |
| 64    | 154752      |     | SHAFT-BRAKE/CLUTC              |
| 65    | 67609       |     | AXLE BOLT                      |
| 66    | 140296      |     | WASHER.HARD.BLADE              |
| 67    | 19131312    |     | WASHER                         |
| 68    | 5142H       |     | ROLL PIN STD                   |
| 69    | 123800X     |     | WASHER                         |
| 70    | 164892X428  |     | CONSOLE.SHIFT.AUTO.YT/GT.BLACK |
| 71    | 151179      |     | "PLATE CONSOLE,SFT"            |
| 72    | 73680500    |     | SUB= 73690500                  |
| 73    | 74490548    |     | BOLT.HEX.FLGHD.                |
| 74    | 142432      |     | SCREW HEXWSH H-L               |
| 76    | 140481      |     | BRACKET TRAN VGTH              |
| 77    | 74760716    |     | BOLT                           |
| 79    | 72110505    |     | BOLT                           |
| 80    | 140484      |     | BRACKET TORQUE RH              |
| 81    | 17490612    |     | SCREW                          |
| 82    | 150586      |     | BRACKET.MTG.FAN                |
| 83    | 140479      |     | STRAP TORQUE MID               |
| 84    | 140490      |     | SPACER                         |
| 85    | 17541020    |     | SCREW YTV                      |
| 86    | 140462      |     | "FAN 7"" HYDRO"                |
| 87    | 140491      |     | ADAPTER FAN                    |

| Ref # | Part Number | Qty | Description          |
|-------|-------------|-----|----------------------|
| 88    | 161592      |     | PULLEY FAN           |
| 89    | 73680700    |     | NUT GTV              |
| 90    | 140489      |     | KEEPER BELT          |
| 91    | 17490644    |     | SCREW.HXWSH.3/8      |
| 92    | 74760520    |     | BOLT                 |
| 93    | 140502      |     | LINK ASM SHIFT       |
| 94    | 133835      |     | XMAS TREE FASTNER    |
| 96    | 141103      |     | WASHER NICKEL PLT    |
| 98    | 141004      |     | BRACKET SHIFT        |
| 99    | 17490624    |     | SCREW LT             |
| 100   | 126881X     |     | WASHER COMPRESSIN    |
| 101   | 156106      |     | WASHER-BELLVILLE     |
| 104   | 140480      |     | BRACKET IDLER        |
| 105   | 17580408    |     | SCREW CRT            |
| 106   | 142918      |     | O-RING.ASM.70110     |
| 107   | 154739      |     | "LINE FUEL,HYD 15""  |
| 108   | 142917      |     | CAP.VENT.70109       |
| 109   | 140929      |     | SPRING BRAKE         |
| 111   | 156240      |     | "SPACER-LEVER,SHIF"  |
| 112   | 156104      |     | "WASHER-NYLON,HIGH"  |
| 113   | 73220700    |     | NUT                  |
| 115   | 123405X     |     | "KEEPER,DRIVE BELT"  |
| 116   | 73900500    |     | "NUT HEX,LOCK,FLAN"  |
| 117   | 73900600    |     | SUB= 83923           |
|       | PARTSIMAGE  |     | REFER TO PARTS IMAGE |

## TRACTOR -- MODEL NUMBER AYP8248A99

### LIFT ASSEMBLY

NOTE: All component dimensions given in U.S. inches  
1 inch = 25.4 mm

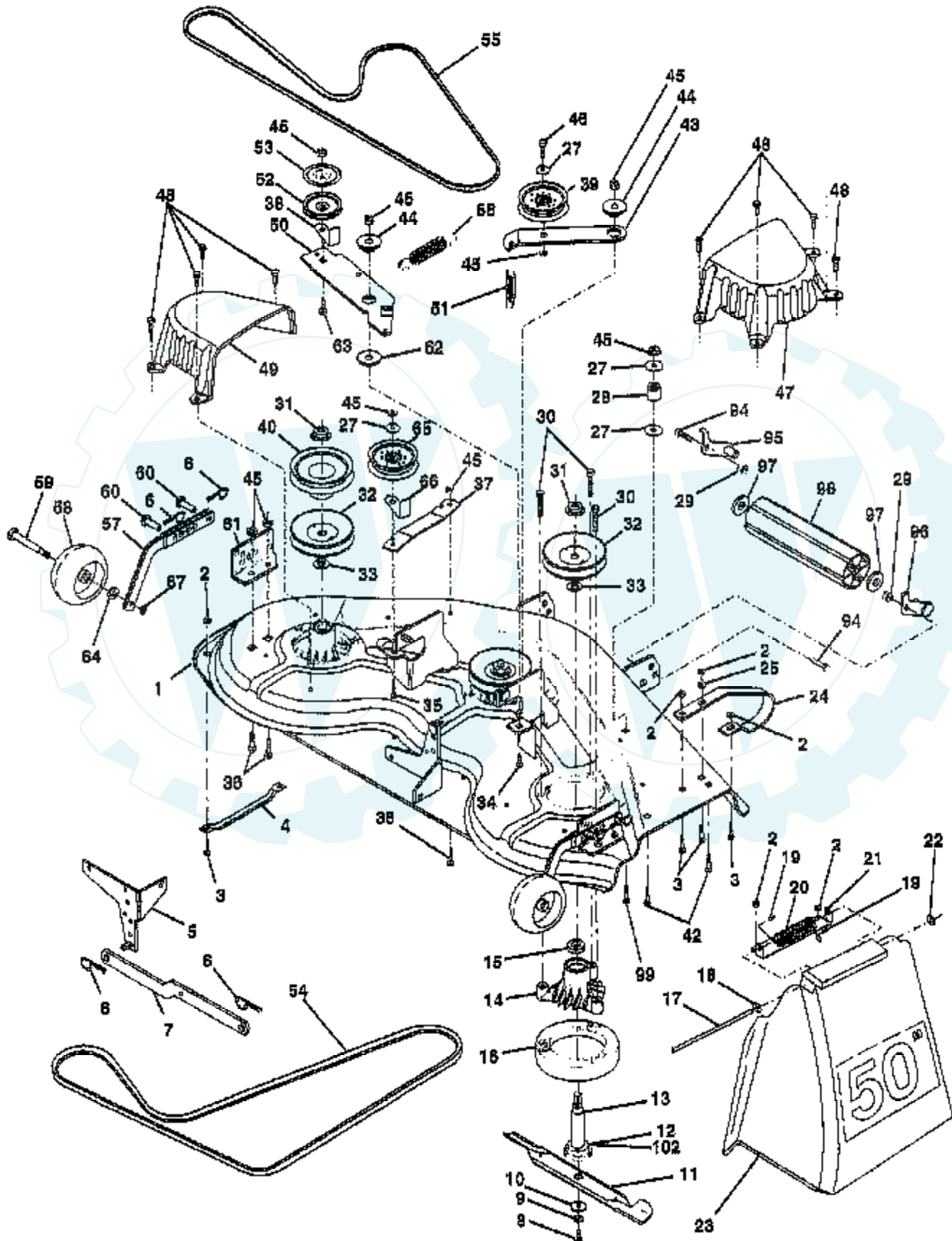


| Ref # | Part Number | Qty | Description        |
|-------|-------------|-----|--------------------|
| 1     | 121006X     |     | LEVER ROD LT       |
| 2     | 159187      |     | SHAFT.ASM.LIFT.VGT |
| 3     | 159189      |     | LEVER.ASM.LIFT.RH  |
| 4     | 12000022    |     | E-RING             |
| 5     | 19292016    |     | WASHER             |
| 6     | 74780624    |     | "BOLT,HEX"         |
| 7     | 125631X     |     | GRIP HANDLE        |
| 8     | 122365X     |     | SUB= 125925X       |
| 9     | 122364X     |     | SUB= 125925X       |
| 10    | 2876H       |     | SPRING T           |
| 11    | 146704      |     | LINK.LIFT.MWR.VGT  |
| 12    | 163552      |     | RETAINER SPRING    |
| 13    | 139868      |     | ARM SUSP REAR      |
| 14    | 140302      |     | BEARING PVT LH     |
| 15    | 73680600    |     | SUB= 73690600      |
| 16    | 674A247     |     | SUB= 918674A247    |
| 17    | 73350600    |     | NUT                |
| 18    | 143363      |     | BRACKET SPRING AS  |
| 19    | 19131316    |     | WASHER             |
| 20    | 5328J       |     | BOLT-ADJ SPRING T  |
| 21    | 74760616    |     | BOLT               |
| 22    | 127218      |     | LINK.FRONT         |
| 23    | 4939M       |     | SUB= 85902         |
| 24    | 73350800    |     | NUT                |
| 25    | 130171      |     | TRUNION            |
| 26    | 73800800    |     | NUT.LK.W/WSH.1/2.  |
| 29    | 150233      |     | TRUNNION           |
| 30    | 110807X     |     | NUT T              |
| 31    | 19131016    |     | WASHER             |
| 32    | 137150      |     | SPRING.COMP.INF.H  |
| 33    | 76020308    |     | SUB= 3145          |
| 34    | 137167      |     | ROD.ADJ.LIFT       |
| 35    | 138057      |     | KNOB INF 3/8-16    |
| 38    | 155097      |     | POINTER-INDICAT    |
| 39    | 123935X     |     | "PLUG,HOLE"        |
| 40    | 17490512    |     | SCREW              |
| 41    | 73540600    |     | NUT.CROWNLOCK.3/8  |
| 42    | 19112410    |     | WASHER             |
| 43    | 123934X     |     | HEIGHT INDICATOR   |
| 70    | 145212      |     | NUT.HXFLG.LOCK.    |
| 72    | 110452X     |     | NUT PUSH M         |



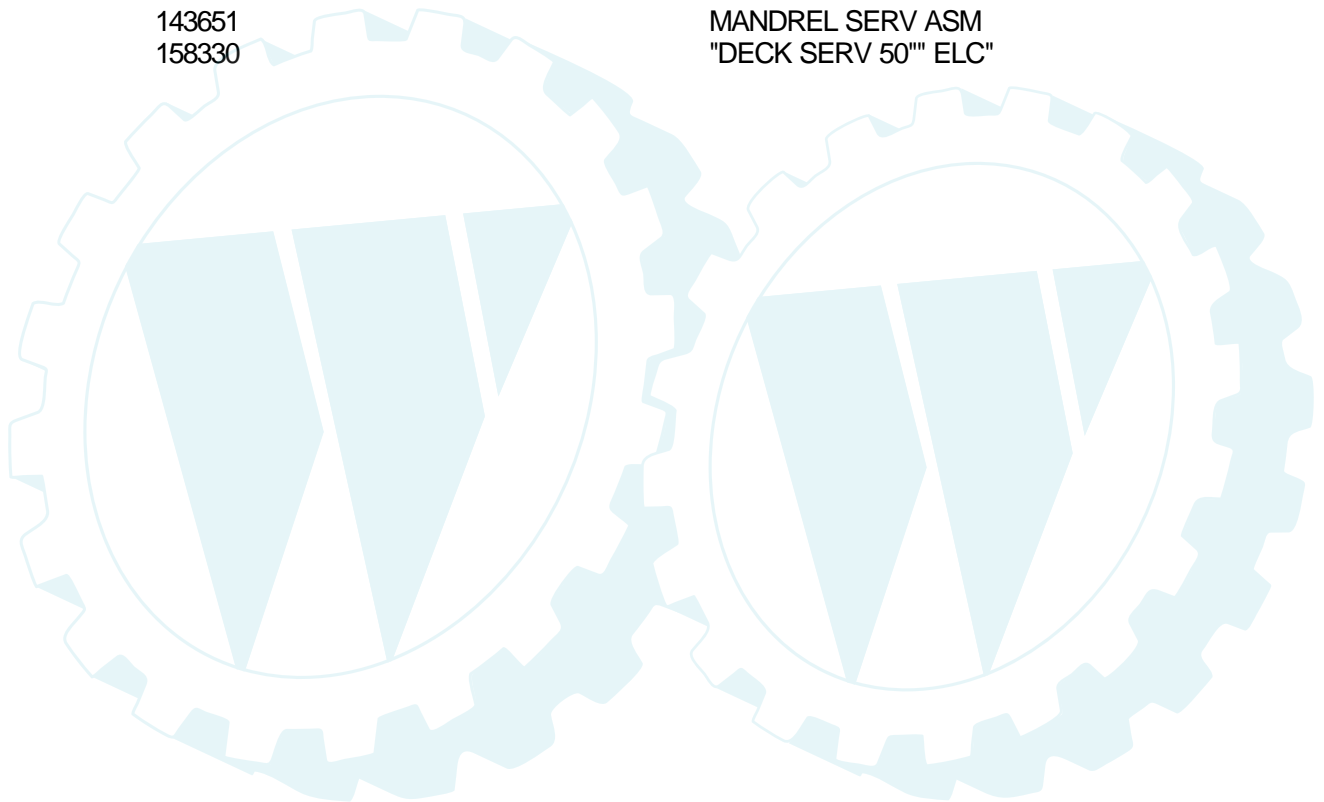
# TRACTOR - - MODEL NUMBER AYP8248A99

## MOWER DECK

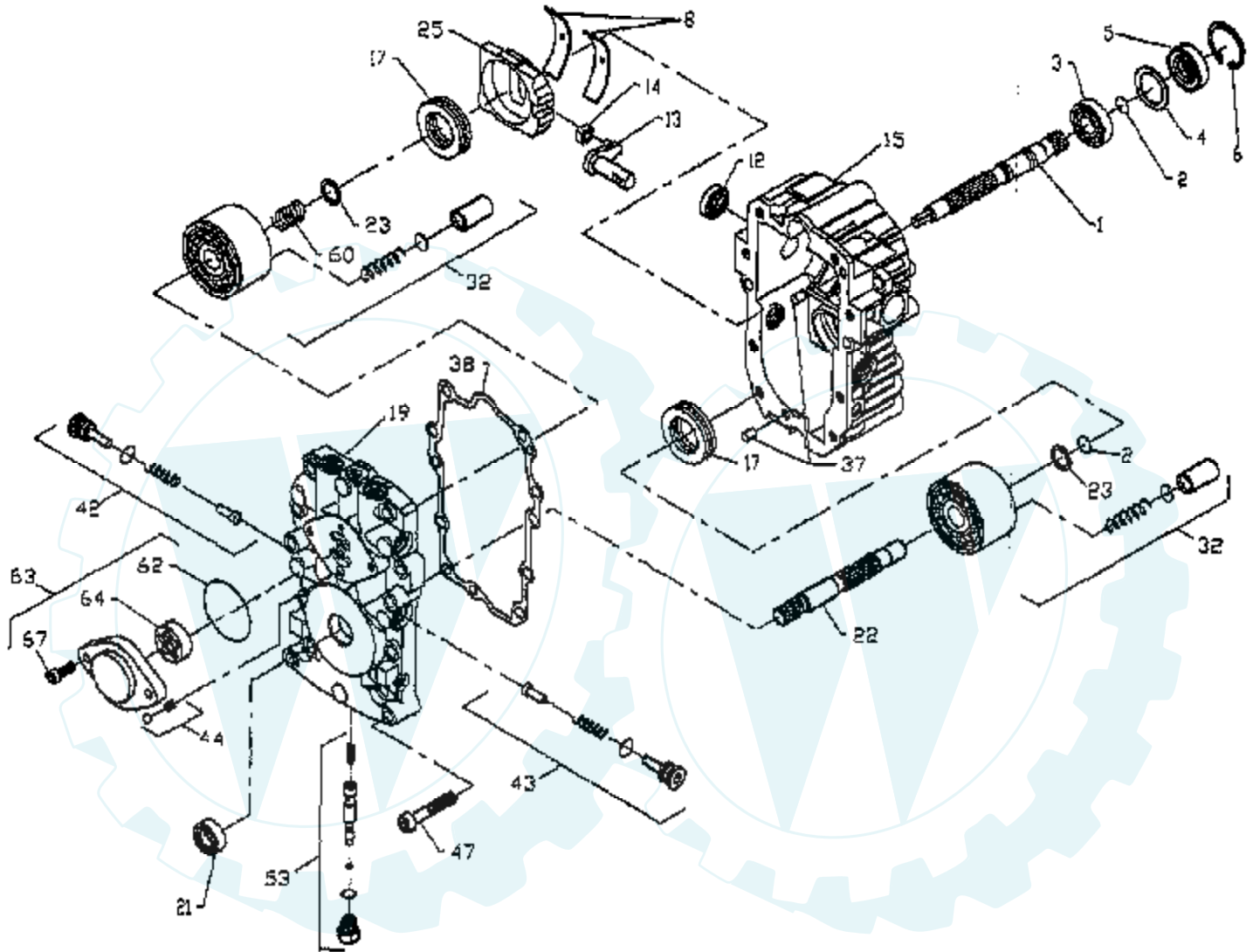


| Ref # | Part Number | Qty | Description          |
|-------|-------------|-----|----------------------|
| 1     | 156990      |     | "DECK ASM-50""       |
| 2     | 73680500    |     | SUB= 73690500        |
| 3     | 72110506    |     | SUB= 72270506        |
| 4     | 7631J       |     | RUNNER-LH M          |
| 5     | 138457      |     | BRKT.ASM.SW.44/50    |
| 6     | 4939M       |     | SUB= 85902           |
| 7     | 130832      |     | SUB= 130833          |
| 8     | 850857      |     | BLADE BOLT           |
| 9     | 10030600    |     | SUB= 10040600        |
| 10    | 140296      |     | WASHER.HARD.BLADE    |
| 11    | 137380      |     | "BLADE.50"" HD"      |
| 12    | 129895      |     | BEARING.BALL         |
| 13    | 137553      |     | SHAFT.ASM.W/BRNG     |
| 14    | 137152      |     | HOUSING.MAND.44.V    |
| 15    | 110485X     |     | BEARING              |
| 16    | 140329      |     | STRIPPER RND MWR     |
| 17    | 106735X     |     | ROD-HINGE T          |
| 18    | 19111016    |     | WASHER               |
| 19    | 105304X     |     | CAP-SLEEVE LT        |
| 20    | 123713X     |     | SPRING TORSION       |
| 21    | 137607      |     | BRKT DEFLECTOR       |
| 22    | 110452X     |     | NUT PUSH M           |
| 23    | 110509X     |     | DEFLECTOR            |
| 24    | 136320      |     | "RUNNER RH 50"" DK"  |
| 25    | 19111216    |     | WASHER M             |
| 27    | 19131316    |     | WASHER               |
| 28    | 132823      |     | SUB= 532132823       |
| 29    | 73800600    |     | NUT                  |
| 30    | 157722      |     | "SCREW-THD ROLL,WA"  |
| 31    | 137266      |     | SUB= 139729          |
| 32    | 153535      |     | PULLEY.MANDREL.42    |
| 33    | 129963      |     | WASHER               |
| 34    | 72140610    |     | BOLT.3/8-14X1.25     |
| 35    | 72110616    |     | BOLT                 |
| 36    | 72110608    |     | BOLT D               |
| 37    | 137166      |     | STIFFENER.ARM.IDL    |
| 38    | 156085      |     | "KEEPER-BELT,IDLER"  |
| 39    | 131494      |     | FLAT IDLER PULLEY    |
| 40    | 136572      |     | "PULLEY.DRIVEN.44""  |
| 42    | 72140506    |     | BOLT                 |
| 43    | 136460      |     | "ARM.IDLER.SEC.44""  |
| 44    | 122052X     |     | SPACER RETAINER      |
| 45    | 73680600    |     | SUB= 73690600        |
| 46    | 74760628    |     | BOLT                 |
| 47    | 137200      |     | "COVER.MAND.RH.44""  |
| 48    | 137729      |     | SCREW.1/4-20X5/8     |
| 49    | 136574      |     | COVER.MANDREL.LH     |
| 50    | 137272      |     | ARM.IDLER.PRIMARY    |
| 51    | 137273      |     | "SPRING.SEC.44""VEN" |
| 52    | 139245      |     | PULLEY.IDLER.VGRO    |
| 53    | 137789      |     | SHIELD.IDLER.44.V    |
| 54    | 139573      |     | BELT V PRIM 50       |
| 55    | 144959      |     | BELT-V.SEC.46.KEL    |
| 56    | 138687      |     | SPRING.EXT.DECK.     |
| 57    | 136577      |     | BAR.ASM.GUAGE.WHL    |
| 58    | 133957      |     | WHEEL GAGE DONUT     |
| 59    | 137644      |     | BOLT SHOULDER        |
| 60    | 139031      |     | PIN.CLEVIS           |

| Ref # | Part Number | Qty | Description         |
|-------|-------------|-----|---------------------|
| 61    | 136573      |     | BRACKET.GUAGE.WHL   |
| 62    | 133943      |     | HARDENED WASHER     |
| 63    | 72110612    |     | BOLT.3/8-16X1.50    |
| 64    | 19121414    |     | WASHER              |
| 65    | 151831      |     | PULLEY IDELR FLAT   |
| 66    | 156009      |     | "KEEPER-BELT,IDLER" |
| 67    | 73930600    |     | LOCKNUT             |
| 94    | 74760616    |     | BOLT                |
| 95    | 132274      |     | SUB= 532132274      |
| 96    | 132273      |     | SUB= 532132273      |
| 97    | 19171416    |     | WASHER              |
| 98    | 132264      |     | SUB= 532132264      |
| 99    | 72110614    |     | BOLT                |
| 102   | 153390      |     | WASHER.FELT.        |
|       | 143651      |     | MANDREL SERV ASM    |
|       | 158330      |     | "DECK SERV 50" ELC" |



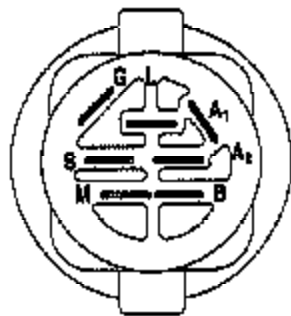
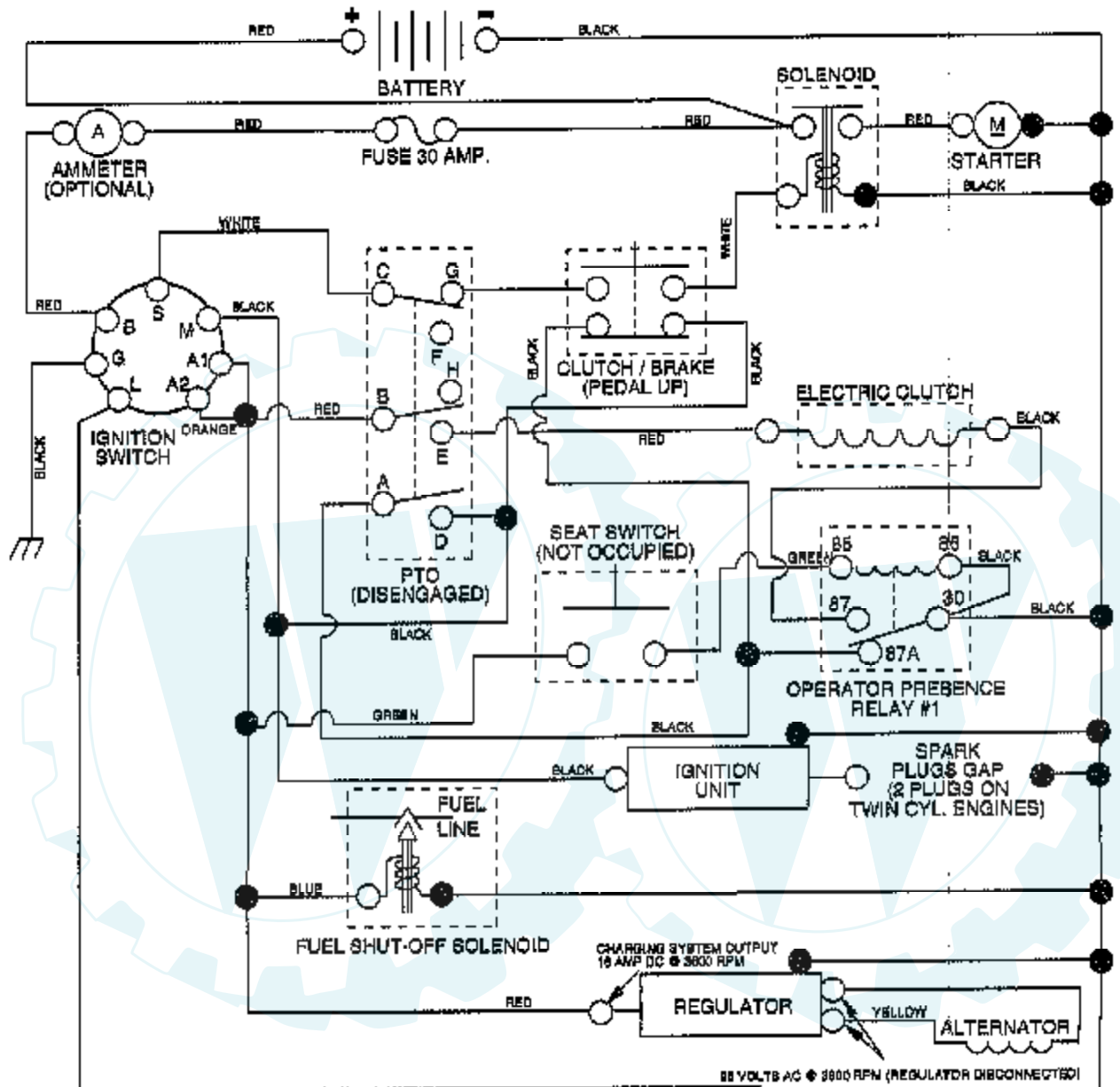
**TRACTOR - - MODEL NUMBER AYP8248A99**  
**PUMP ASSEMBLY - - MODEL NUMBER BDU -10L-118**



| Ref # | Part Number | Qty | Description               |
|-------|-------------|-----|---------------------------|
| 1     | 144569      |     | SHAFT.PUMP.50158          |
| 2     | 122716X     |     | RETAINIANG RING-(2003016) |
| 3     | 122745X     |     | BALL BEARING              |
| 4     | 122715X     |     | SPACER                    |
| 5     | 122700X     |     | SEAL LIP                  |
| 6     | 122699X     |     | RING.RET.2003052          |
| 8     | 122767X     |     | CRADLE BEARING (2003023)  |
| 12    | 122717X     |     | SEAL.9008000-0126         |
| 13    | 122748X     |     | TRUNION ARM (2003005)     |
| 14    | 122749X     |     | GUIDE.2000015.HYD         |
| 15    | 144571      |     | KIT.HSG.2513035.          |
| 17    | 122770X     |     | SUB= 142936               |
| 19    | 153801      |     | KIT.CENTER.50642          |
| 21    | 122722X     |     | LIP SEAL-9008000-0127     |
| 22    | 144573      |     | SHAFT.MOT.2003034         |
| 23    | 142978      |     | WASHER.2003017            |
| 25    | 127148X     |     | "SWASHPLATE,VARIAB"       |
| 32    | 142938      |     | BLOCK.CLYN.70079.         |
| 37    | 122786X     |     | PIN                       |
| 38    | 122718X     |     | GASKET.20030600           |
| 42    | 144578      |     | KIT.VALVE.2510050         |
| 43    | 144578      |     | KIT.VALVE.2510050         |
| 44    | 144579      |     | KIT.RELI.2510011.         |
| 47    | 122752X     |     | SCREW9007314-0808         |
| 53    | 127153X     |     | "KIT,BYPASS VALVE"        |
| 60    | 142977      |     | SPRING.2003014.           |
| 62    | 144581      |     | ORING.90041011340         |
| 63    | 144582      |     | KIT.CHARG.2513027         |
| 64    | 144583      |     | GEROTOR.J1041008          |
| 67    | 144584      |     | SCREW.CAP.50095.          |
|       | 153769      |     | PUMP.BDU-10L-122          |

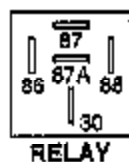
# TRACTOR - - MODEL NUMBER AYP8248A99

## SCHEMATIC



IGNITION SWITCH

| POSITION  | CIRCUIT | "MAKE" |
|-----------|---------|--------|
| OFF       | M+G+A1  | NONE   |
| RUN/LIGHT | B+A1    | A2+L   |
| RUN       | B+A1    | NONE   |
| START     | B+S+A1  | NONE   |



RELAY

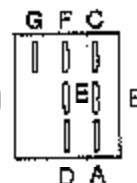
| PTO SWITCH |               |
|------------|---------------|
| POSITION   | CIRCUIT       |
| OFF        | C+G, B+H      |
| ON         | G+F, B+E, A+D |



REMOVABLE CONNECTIONS



NON-REMOVABLE CONNECTIONS



HEADLIGHTS

**WIRING INSULATED CLIPS**

NOTE: IF WIRING INSULATED CLIPS WERE REMOVED FOR SERVICING OF UNIT, THEY SHOULD BE REPLACED TO PROPERLY SECURE YOUR WIRING.

---

| Ref # | Part Number | Qty | Description    |
|-------|-------------|-----|----------------|
|       | REFER       |     | REFER TO IMAGE |

---

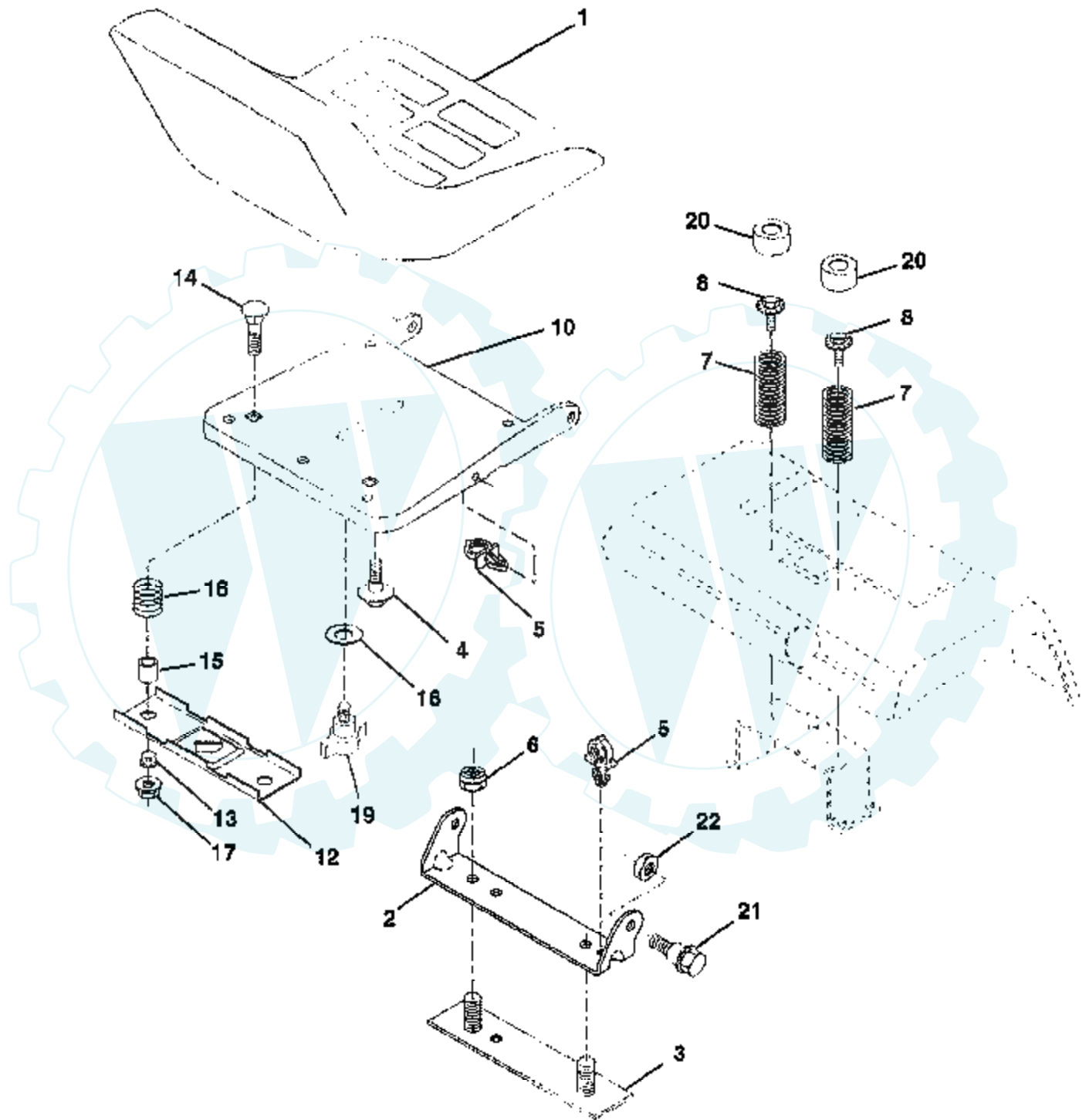




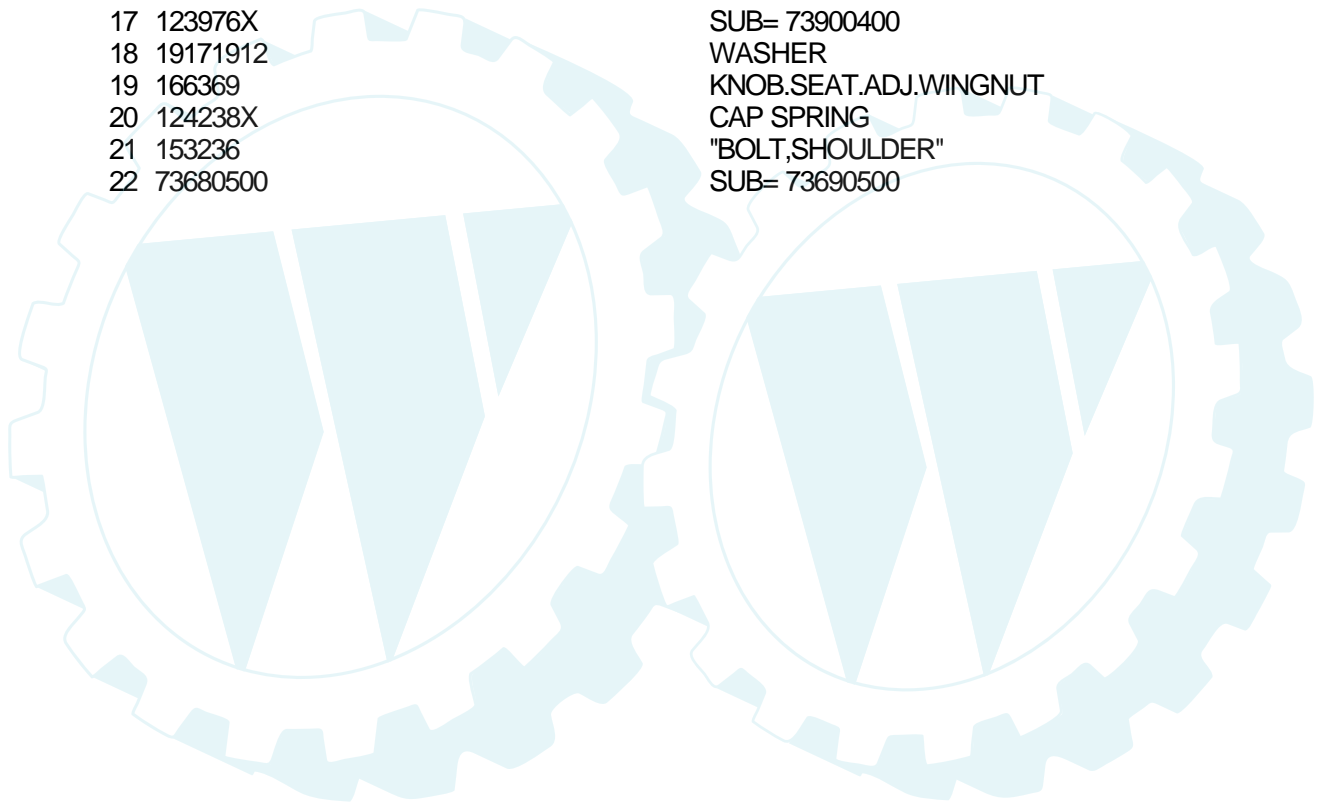
## TRACTOR - - MODEL NUMBER AYP8248A99

### SEAT ASSEMBLY

**NOTE:** All component dimensions given in U.S. inches  
1 inch = 25.4 mm

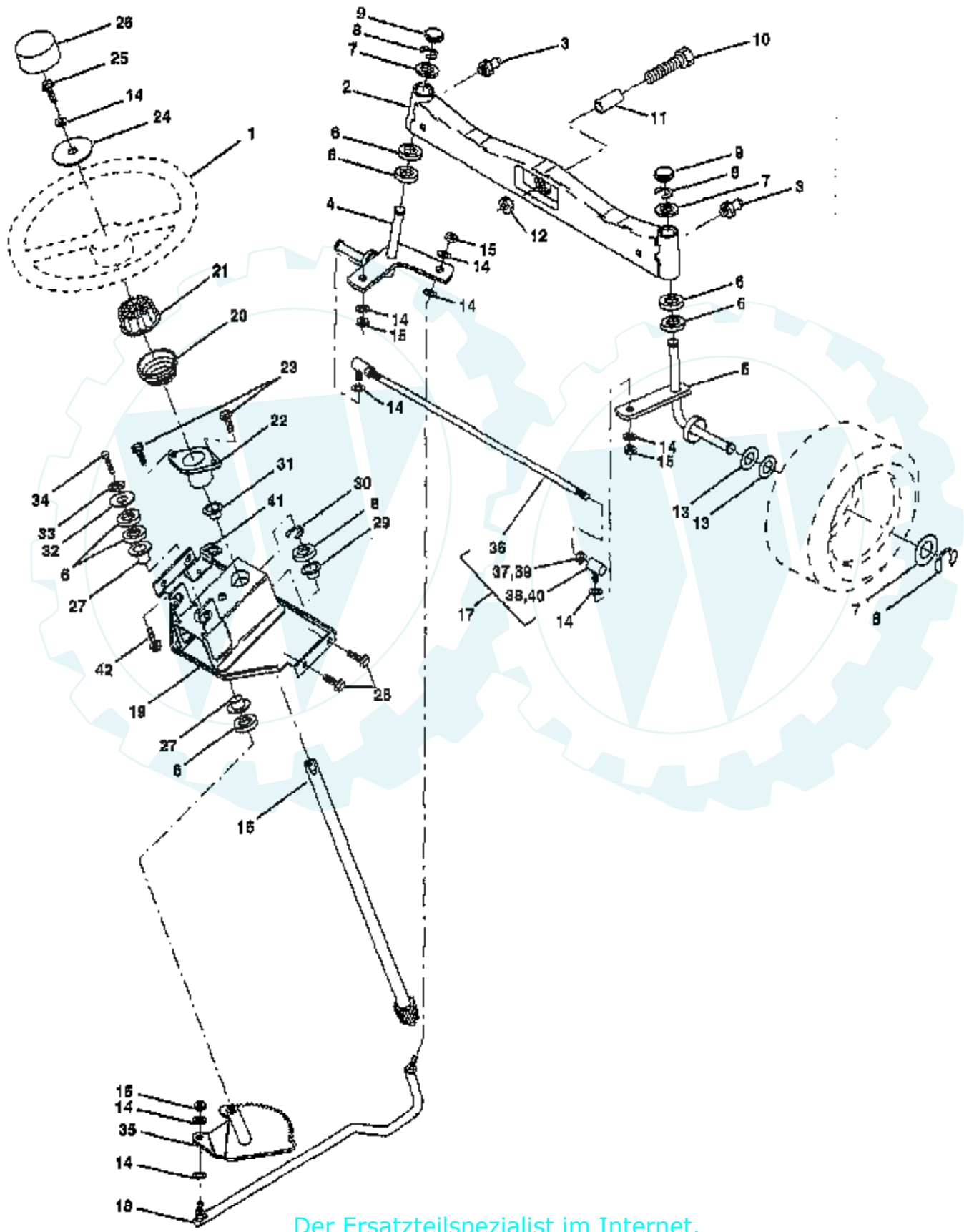


| Ref # | Part Number | Qty | Description           |
|-------|-------------|-----|-----------------------|
| 1     | 127440      |     | SUB= 140121           |
| 2     | 140551      |     | BRACKET PVT SEAT      |
| 3     | 140675      |     | STRAP ASM FENDER      |
| 4     | 127018X     |     | "BOLT,SHOULDER"       |
| 5     | 145006      |     | CLIP.PUSH-IN.HING     |
| 6     | 73800600    |     | NUT                   |
| 7     | 124181X     |     | SPRING COMPRESSIO     |
| 8     | 150176      |     | BOLT.5/16-18.UNC      |
| 10    | 155925      |     | PAN-SEAT              |
| 12    | 121246X     |     | BRKT SWITCH           |
| 13    | 121248X     |     | BUSHING               |
| 14    | 72050412    |     | BOLT-RD HD SQ NK      |
| 15    | 121249X     |     | SPACER SPLIT          |
| 16    | 123740X     |     | SPRING COMPRESSED     |
| 17    | 123976X     |     | SUB= 73900400         |
| 18    | 19171912    |     | WASHER                |
| 19    | 166369      |     | KNOB.SEAT.ADJ.WINGNUT |
| 20    | 124238X     |     | CAP SPRING            |
| 21    | 153236      |     | "BOLT,SHOULDER"       |
| 22    | 73680500    |     | SUB= 73690500         |



# TRACTOR - - MODEL NUMBER AYP8248A99

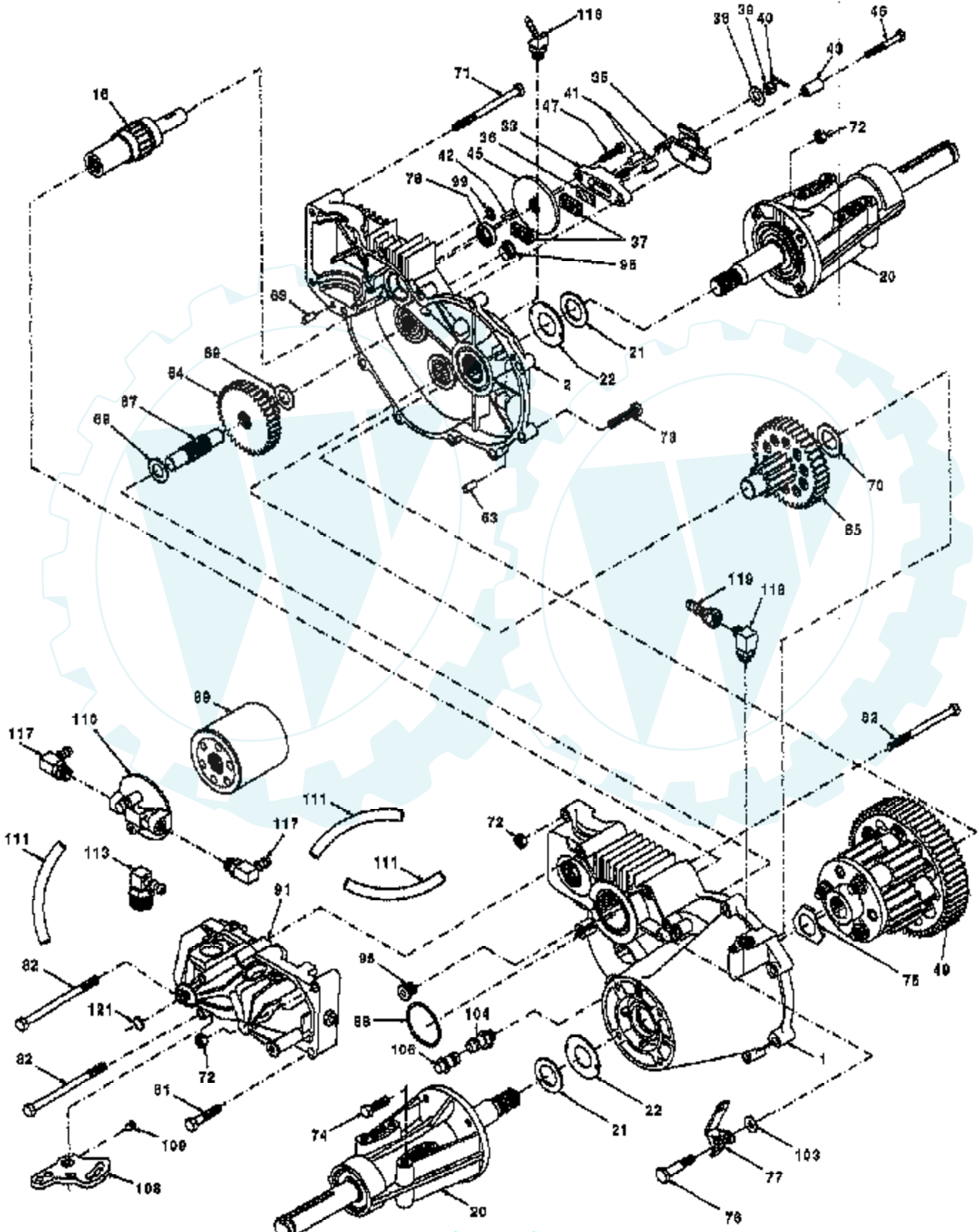
## STEERING ASSEMBLY

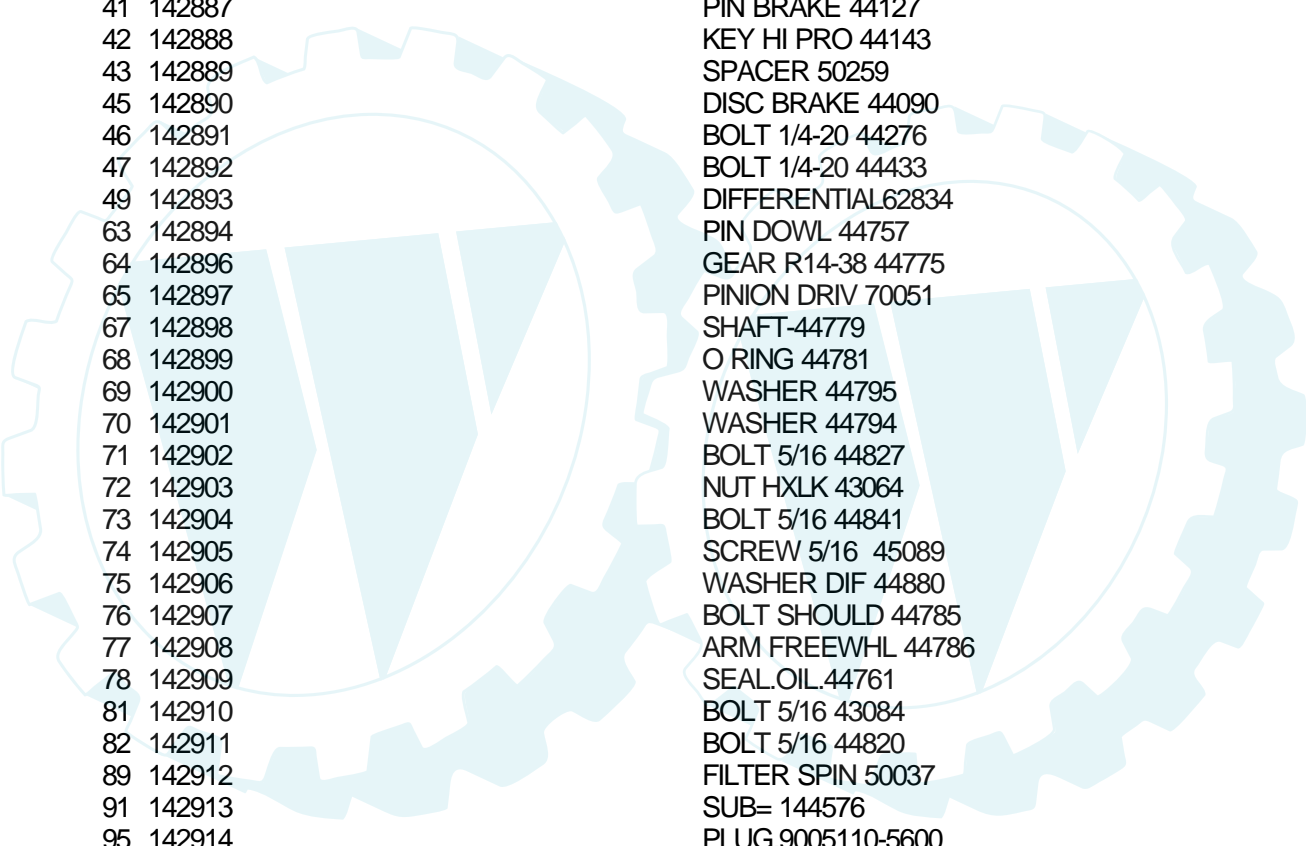


| Ref # | Part Number | Qty | Description         |
|-------|-------------|-----|---------------------|
| 1     | 121472X     |     | SUB= 150546         |
| 2     | 137094      |     | SUB= 532137094      |
| 3     | 6855M       |     | ZERK M              |
| 4     | 161849      |     | SPINDLE ASM LH      |
| 5     | 161848      |     | SPINDLE ASM RH      |
| 6     | 6266H       |     | WASHER .T           |
| 7     | 121748X     |     | WASHER              |
| 8     | 12000029    |     | RING                |
| 9     | 121232X     |     | CAP                 |
| 10    | 74781044    |     | BOLT                |
| 11    | 136518      |     | SPACER BEARING      |
| 12    | 73901000    |     | "NUT-LOC,FLANGE LT" |
| 13    | 121749X     |     | WASHER              |
| 14    | 10040600    |     | LOCKWASHER          |
| 15    | 7810H       |     | GRIPCO NUT          |
| 16    | 145103      |     | SHAFT.STEER.VGT     |
| 17    | 137347      |     | ROD.ASM.TIE.BALL    |
| 18    | 137155      |     | DRAGLINK.BALL.JOI   |
| 19    | 156011      |     | SUPPORT ASM-STEER   |
| 20    | 145182      |     | COLUMN.STEERING     |
| 21    | 100711L     |     | ADAPTER LT          |
| 22    | 155105      |     | "BUSHING,STEERING"  |
| 23    | 152927      |     | "SCREW-TT,10-32 FL" |
| 24    | 19133808    |     | WASHER T            |
| 25    | 74780616    |     | BOLT                |
| 26    | 126805X     |     | "INSERT,STR WHEEL"  |
| 27    | 3366R       |     | COL. SRTG. BEAR.    |
| 28    | 17490612    |     | SCREW               |
| 29    | 104239X     |     | "FLANGE GT, BEAR."  |
| 30    | 12000034    |     | KLIP RING           |
| 31    | 138136      |     | BUSHING.NYLINER.    |
| 32    | 19111610    |     | WASHER              |
| 33    | 10040500    |     | LOCKWASHER          |
| 34    | 74760512    |     | BOLT                |
| 35    | 138059      |     | GEAR.ASM.SECTOR.    |
| 36    | 137156      |     | SUB= 137347         |
| 37    | 73360600    |     | NUT                 |
| 38    | 109850X     |     | JOINT.RH            |
| 39    | 73700600    |     | NUT                 |
| 40    | 109851X     |     | JOINT.LH            |
| 41    | 155246      |     | "BRKT-SW, INTER"    |
| 42    | 17490508    |     | SCREW LT            |

# TRACTOR - - MODEL NUMBER AYP8248A99

## TRANSAXLE

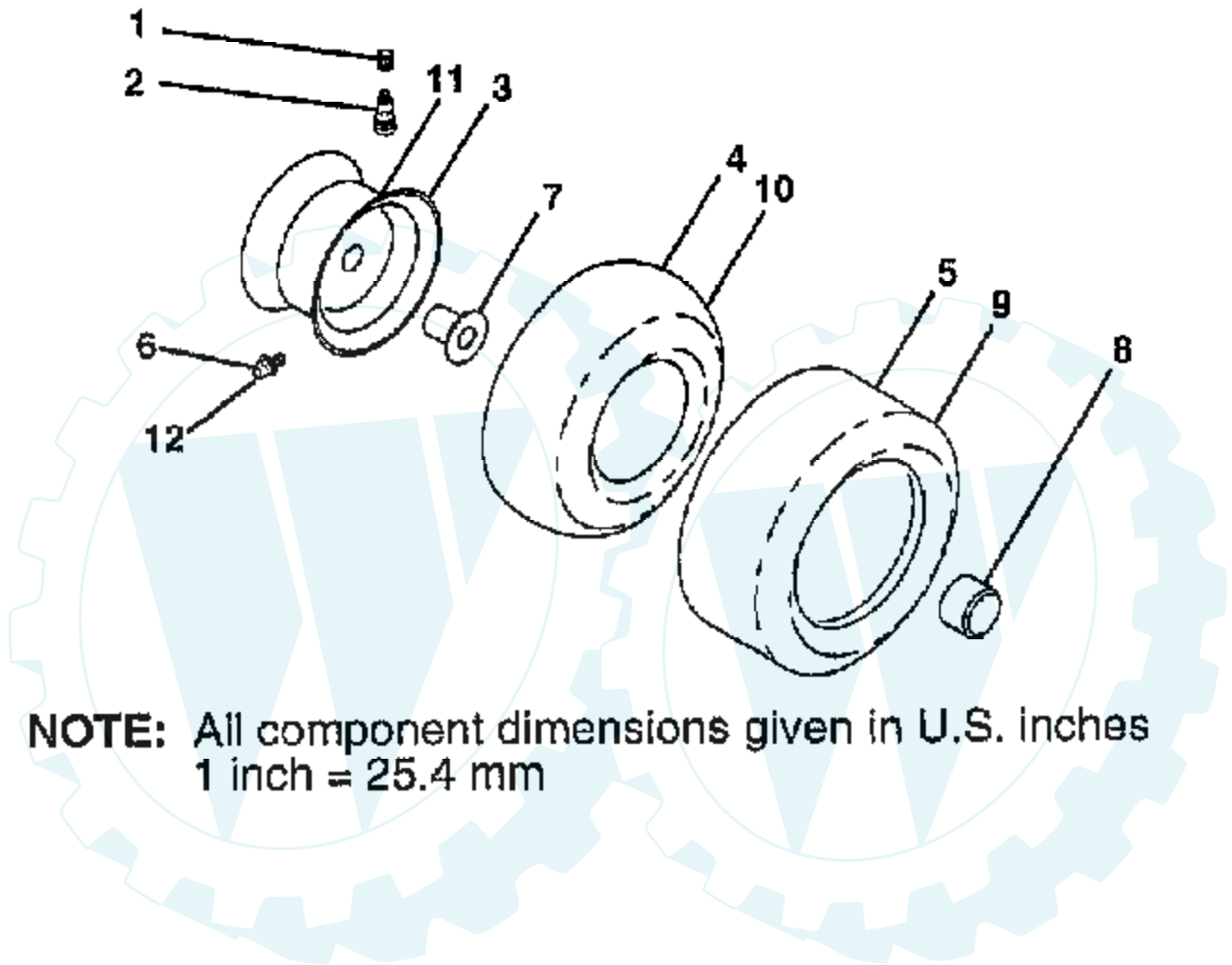




| Ref # | Part Number | Qty | Description       |
|-------|-------------|-----|-------------------|
| 1     | 142874      |     | HOUSING LH 70086  |
| 2     | 142875      |     | HOUSING RH 70088  |
| 16    | 142876      |     | SHAFT BRAKE 62877 |
| 20    | 142877      |     | AXLE MTG 70087    |
| 21    | 142878      |     | WASHER 44805      |
| 22    | 142879      |     | WASHER 44806      |
| 33    | 142929      |     | YOKE.BRAKE.62589  |
| 35    | 142880      |     | ARM BRAKE 50214   |
| 36    | 142882      |     | PUCK PLATE 44134  |
| 37    | 142883      |     | PUCK BRAKE 44132  |
| 38    | 142884      |     | WASHER HYD 44130  |
| 39    | 142885      |     | SUB= 144607       |
| 40    | 142886      |     | SUB= 144608       |
| 41    | 142887      |     | PIN BRAKE 44127   |
| 42    | 142888      |     | KEY HI PRO 44143  |
| 43    | 142889      |     | SPACER 50259      |
| 45    | 142890      |     | DISC BRAKE 44090  |
| 46    | 142891      |     | BOLT 1/4-20 44276 |
| 47    | 142892      |     | BOLT 1/4-20 44433 |
| 49    | 142893      |     | DIFFERENTIAL62834 |
| 63    | 142894      |     | PIN DOWL 44757    |
| 64    | 142896      |     | GEAR R14-38 44775 |
| 65    | 142897      |     | PINION DRIV 70051 |
| 67    | 142898      |     | SHAFT-44779       |
| 68    | 142899      |     | O RING 44781      |
| 69    | 142900      |     | WASHER 44795      |
| 70    | 142901      |     | WASHER 44794      |
| 71    | 142902      |     | BOLT 5/16 44827   |
| 72    | 142903      |     | NUT HXLK 43064    |
| 73    | 142904      |     | BOLT 5/16 44841   |
| 74    | 142905      |     | SCREW 5/16 45089  |
| 75    | 142906      |     | WASHER DIF 44880  |
| 76    | 142907      |     | BOLT SHOULD 44785 |
| 77    | 142908      |     | ARM FREEWHL 44786 |
| 78    | 142909      |     | SEAL.OIL.44761    |
| 81    | 142910      |     | BOLT 5/16 43084   |
| 82    | 142911      |     | BOLT 5/16 44820   |
| 89    | 142912      |     | FILTER SPIN 50037 |
| 91    | 142913      |     | SUB= 144576       |
| 95    | 142914      |     | PLUG.9005110-5600 |
| 99    | 142915      |     | SUB= 142904       |
| 103   | 142916      |     | WASHER.50169      |
| 104   | 142917      |     | CAP.VENT.70109    |
| 106   | 142918      |     | O-RING.ASM.70110  |
| 108   | 142919      |     | ARM.CONTROL.45007 |
| 109   | 142920      |     | SCREW.SET.50018.  |
| 110   | 142921      |     | FILTER.HEAD.50207 |
| 111   | 142922      |     | HOSE.5/16.50208.  |
| 113   | 142923      |     | FITTING.SAE.50210 |
| 116   | 142924      |     | FITTING.SAE.50213 |
| 117   | 142925      |     | FITTING.SAE.50249 |
| 118   | 142926      |     | FITTING.MAL.50251 |
| 119   | 142927      |     | FITTING.FEM.50250 |
| 121   | 142928      |     | RING.RET.2003016. |

# TRACTOR - - MODEL NUMBER AYP8248A99

## WHEELS & TIRES



**NOTE:** All component dimensions given in U.S. inches  
1 inch = 25.4 mm

| Ref # | Part Number | Qty | Description              |
|-------|-------------|-----|--------------------------|
| 1     | 59192       |     | VALVE CAP                |
| 2     | 65139       |     | VALVE STEM LT            |
| 3     | 106228X427  |     | "RIM ASM 8"" FRT"        |
| 4     | PARTSIMAGE  |     | REFER TO PARTS IMAGE     |
| 4     | 8134H       |     | TUBE.16X6.5/7.5-8        |
| 5     | 106230X     |     | SUB= 122075X             |
| 6     | 278H        |     | FITTING LT               |
| 7     | 9040H       |     | "FLANGE, BEARING"        |
| 8     | 104757X     |     | HUB CAP                  |
| 9     | 105588X     |     | SUB= 122077X             |
| 10    | 7154J       |     | TUBE.23X8/10-12          |
| 11    | 106277X427  |     | "RIM ASM 12"" REAR"      |
| 12    | 6856M       |     | ZERK FITTING M           |
|       | 144334      |     | SEALANT.TIRE 10 OZ. TUBE |

