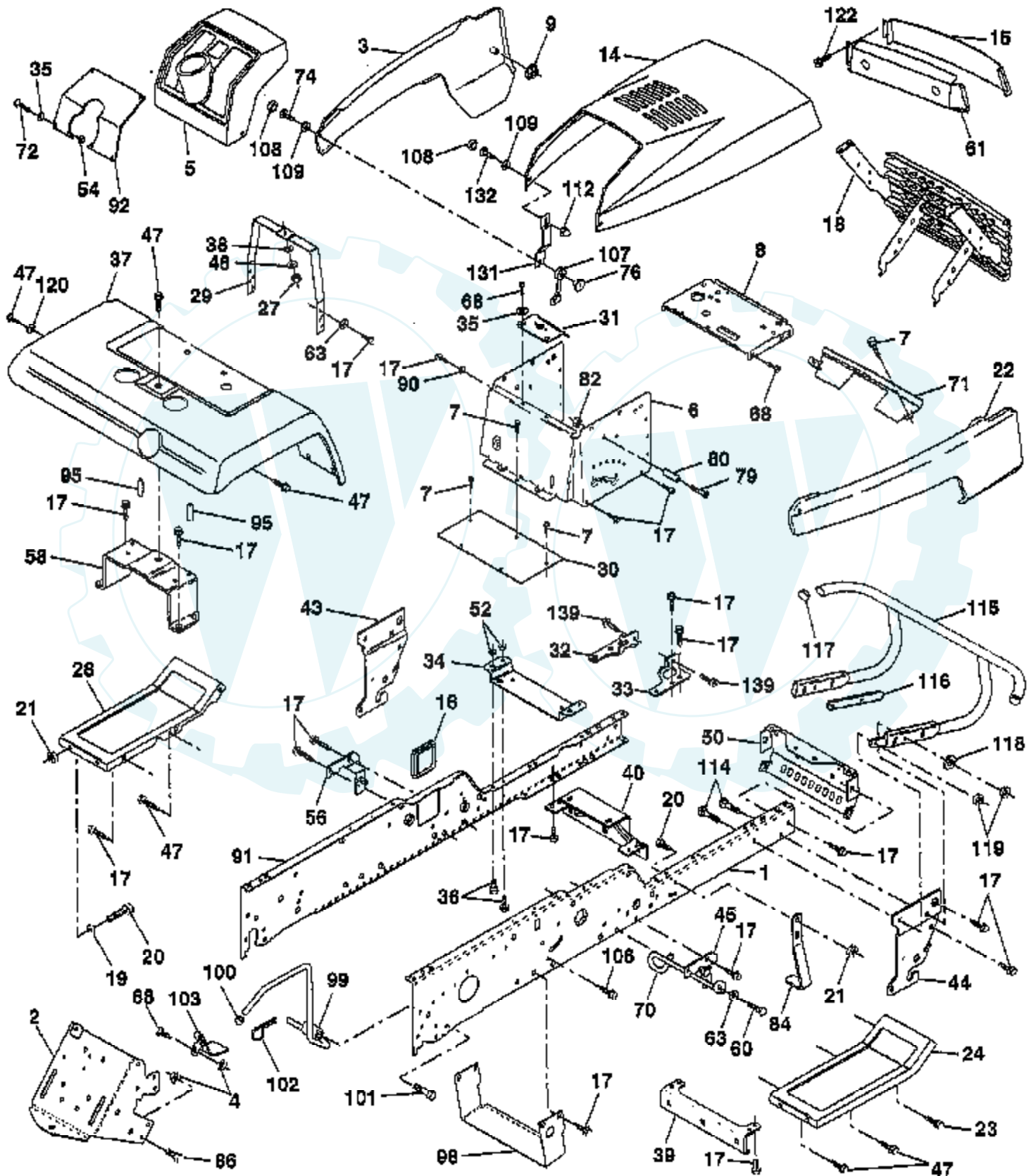


# TRACTOR - - MODEL NUMBER AYP8228B89

## CHASSIS AND ENCLOSURES

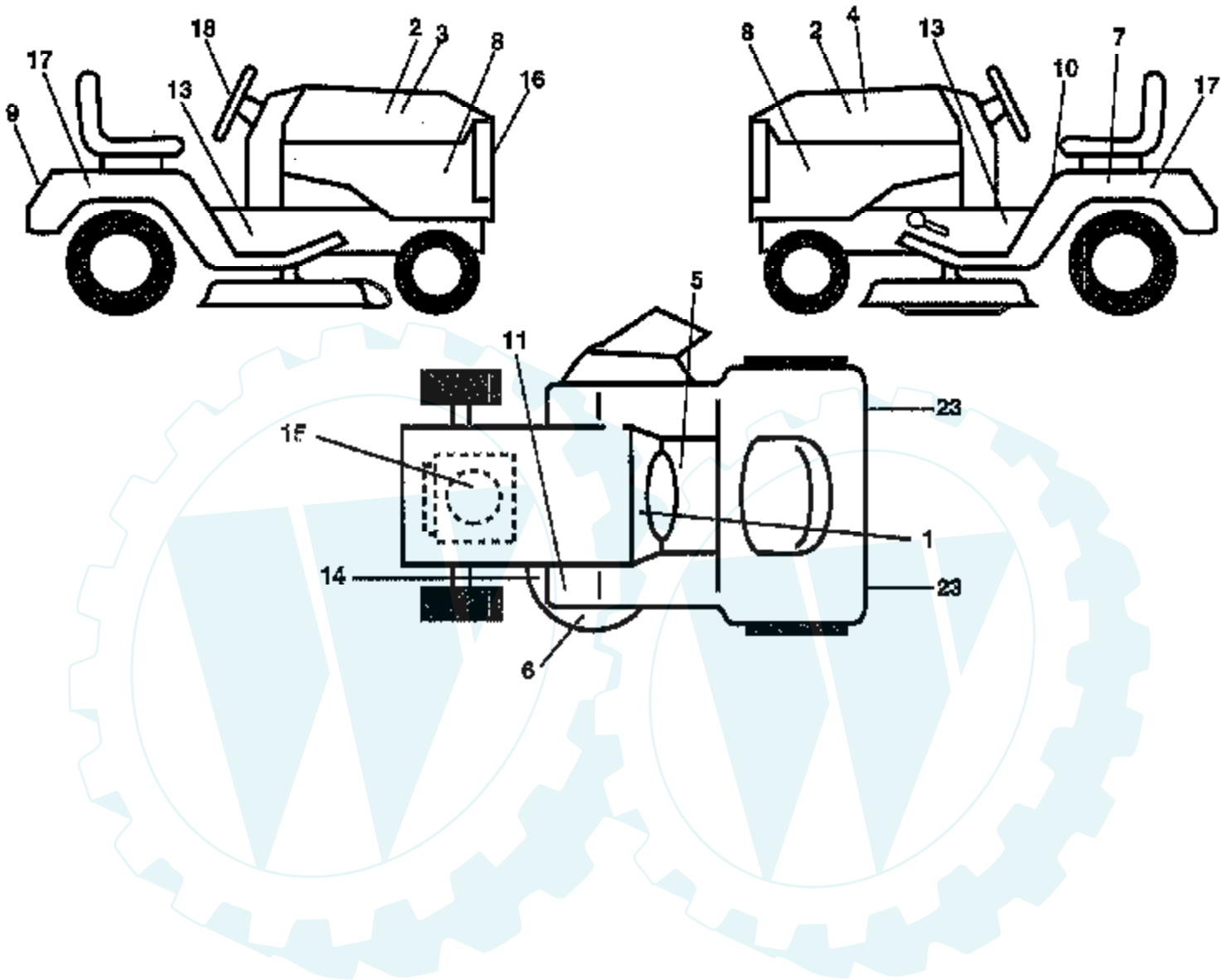


Ref #	Part Number	Qty	Description
1	150253		"RAIL,FRAME RH"
2	140506		DRAWBAR GT
3	150302X418		"PANEL,ASM SIDE LH"
4	73800700		NUT.7/16
5	140398		DASHBOARD BLACK
6	157882		DASH LOWER
7	17720408		SCREW
8	145166		SUPPORT.DASH.BTRY
9	108067X		PAL NUT LT
14	150301X418		"HOOD ASM.,PNT"
15	146459		LENS.BAR.CLEAR
16	121794X		COVER ACCESS
17	17490612		SCREW
18	150198		GRILLE
19	19131312		WASHER
20	74760616		BOLT
21	73680600		SUB= 73690600
22	150303X418		PANEL ASM.SIDE RH
23	17490616		SCREW GTV
24	145243X418		FOOTREST.RH.LT/GT
27	73220400		SUB= 50675
28	145244X418		FOOTREST.LT.LT/GT
29	145205		DASH.SUPT.YP/HUSQ
30	145052		SADDLE.HYDRO.95
31	161419		BRKT SUPT 1-PC VG
32	161327		BKRT.PIVOT.CHASSIS.LH
33	161326		BKRT.PIVOT.CHASSIS.RH
34	142131		BRACKET.ENG.SUPT.
35	19111116		WASHER
36	74780512		BOLT
37	140002X418		FENDER.YT/GT
38	10040400		LOCKWASHER
39	136961		BRACKET.AXLE.FRT.
40	156111		"BRKT SUPPORT,AXLE"
43	136939		BRACKET.SUS.FT.LH
44	136940		BRACKET.SUS.FT.RH
45	145913		BRACKET ASM., SUSP CHASSIS RH
46	19091216		WASHER PM
47	17490608		SCREW LT
50	152728		"BRKT CHASSIS,FRNT"
52	73680500		SUB= 73690500
54	73510500		NUT
56	145914		BRACKET ASM., SUSP CHASSIS LH
58	137113		BRKT.ASM.FENDER
60	17490620		SCREW
61	147717		BEZEL.ASM.
63	19131614		WASHER
68			CHECK WITH SUPPLIER
70	137159		GUIDE.BELT.MID.SP
71	144916X418		STRAP.GRILL
72	74180512		SCREW
74	74191008		SCREW
76	2029J		WELDNUT
79	74981020		SCREW
80	7206J		SPACER LT
82	73731000		NUT
84	142992		STOP OVER CENTER
86	74760716		BOLT

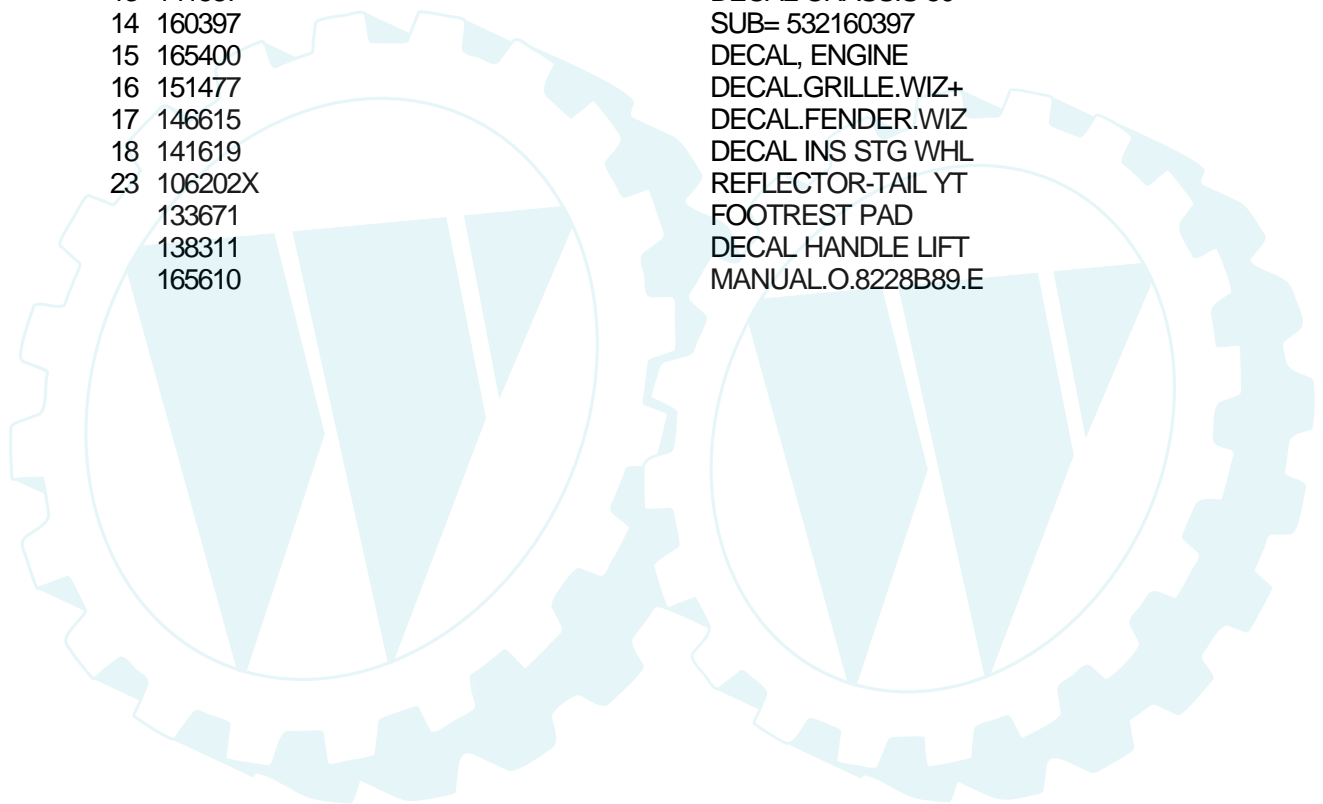
Ref #	Part Number	Qty	Description
90	11050600		LOCKWASHER
91	156586		"RAIL FRAME,LH"
92	156286X010		"PLATE DASH,SLKSCR"
95	105531X		NUT-PUSH YT
98	140503		BRACKET SKID CHAS
99	140871		ROD BYPASS
100	124236X		CAP
101	17490628		SCREW LT
102			CHECK WITH SUPPLIER
103	142273		LOCK BYPASS BRKT
106	138776		SUB= 157722
107	109808X		HOOD LATCH T
108	110356X		SNAP CAP LT
109	110357X		WASHER LT
112	60867		ACORN NUT RB
114	72140610		BOLT.3/8-14X1.25
115	150300		BUMPER.ASM
116	141461		BRACKET.EXT.BUMP.
117	143679		PLUG.PLASTIC
118	19131316		WASHER
119	73680600		SUB= 73690600
120	19131616		WASHER HYT
122	161464		SCREW.HEX.WS.HD
131	150195		BKT.SPT.HOOD/PANL
132	74291006		SCREW.10-24X3/8.
139	161330		BOLT.SHOULDER.5/16-18
	8022J		PLUG-DASH T

# TRACTOR - - MODEL NUMBER AYP8228B89

## DECALS

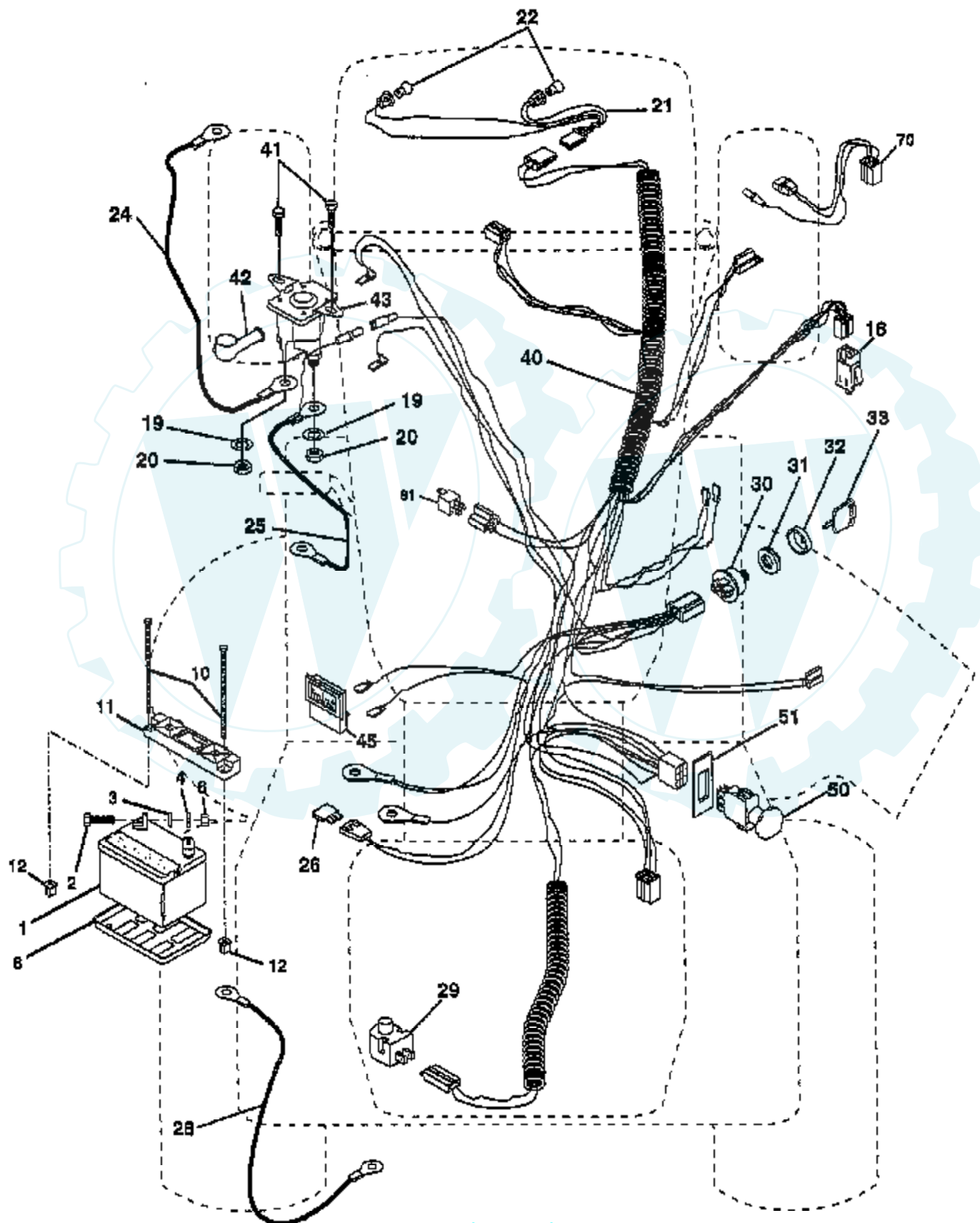


Ref #	Part Number	Qty	Description
			REFER TO IMAGE
1	156835		"DECAL-INST,OPER"
2	143388		NAMEPLATE.HD.WIZA
3	151253		DECAL.HD.RH.WIZRD
4	151255		DECAL.HD.LH.WIZRD
5	140837		DECAL BRAK PARK
6	141517		DECAL DECK WIZ +
7	145005		DECAL.BATRY.3-3908
8	162548		DECAL.SIDE.PANEL
9	127520		NLA
10	157002		"DECAL DANGER,FEND"
11	4900J		DECAL T
	142342		DECAL D-BAR CNTRL
13	141587		DECAL CHASSIS 50
14	160397		SUB= 532160397
15	165400		DECAL, ENGINE
16	151477		DECAL.GRILLE.WIZ+
17	146615		DECAL.FENDER.WIZ
18	141619		DECAL INS STG WHL
23	106202X		REFLECTOR-TAIL YT
	133671		FOOTREST PAD
	138311		DECAL HANDLE LIFT
	165610		MANUAL.O.8228B89.E



# TRACTOR -- MODEL NUMBER AYP8228B89

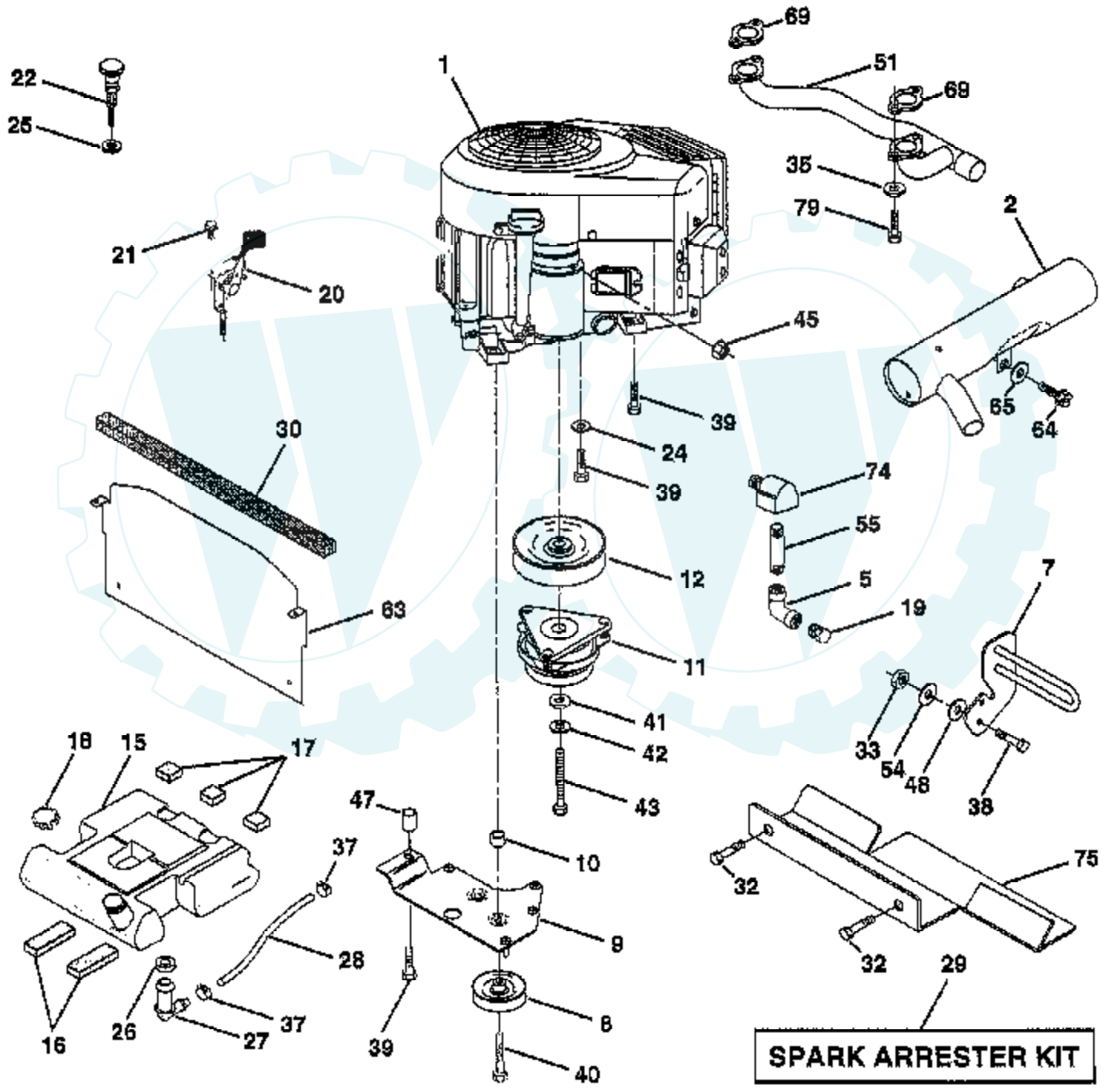
## ELECTRICAL



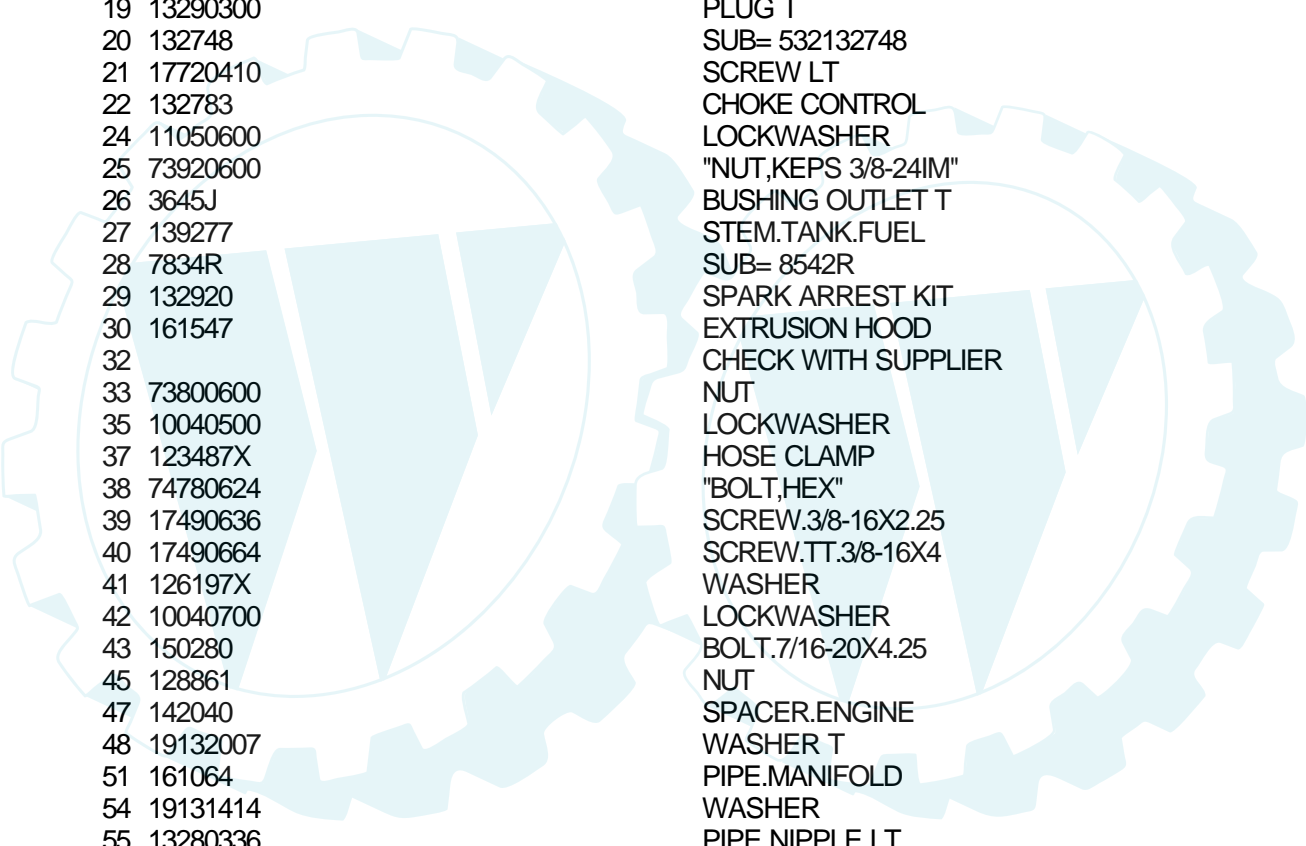
Ref #	Part Number	Qty	Description
1	144926		SUB= 123899X
2			CHECK WITH SUPPLIER
3	10040400		LOCKWASHER
4	19091016		WASHER
6	73220400		SUB= 50675
8	7603J		"TRAY T, BATTERY"
10	145211		SUB= 150177
11	150109		HOLDDOWN BATTERY
12	145769		SUB= 150177
16	153664		SWITCH INTERLOCK
19	10090400		SUB= 10040400
20	73350400		NUT
21	136850		"HARNES,LIGHT SOC"
22	4152J		HEADLAMP BULB
24	4206J		CABLE-BATTERY T
25	146149		CABLE.6GA.12.5.
26	108824X		FUSE HYT
28	4207J		CABLE T
29	160784		SWITCH.PLUNGER
30	140301		SWITCH IGN 4POS
31	124211X		NUT IGNITION
32	141226		COVER KEY SWITCH
33	122147X		KEY
40	160725		HARNES.IGNITON
41	17720408		SCREW
42	131563		SUB= 154336
43	145673		SUB= 146154
45	122822X		AMMETER
50	154959		PTO SWITCH.BLK
51	140405		RING RETAIN PTO
70	164767		HARNES.ENGINE
81	109748X		RELAY ASSY T

# TRACTOR - - MODEL NUMBER AYP8228B89

## ENGINE



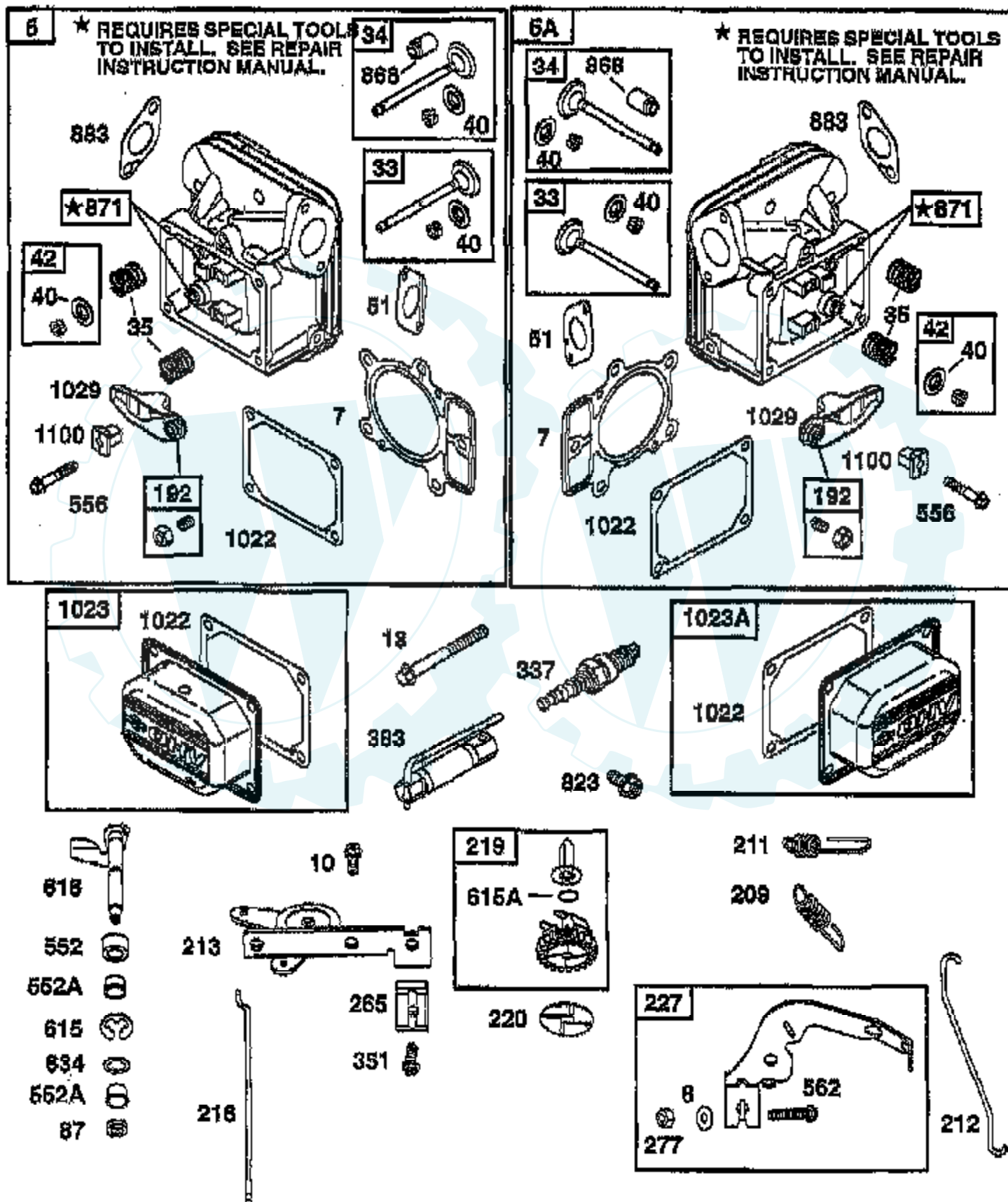




Ref #	Part Number	Qty	Description
2	161062		MUFFLER SIDE1-1/8
5	13200300		ELBOW
7	151396		GUARD.MUFFLER.ASM
8	121361X		SUB= 139123
9	150828		KEEPER ASM BELT
10	105432X		BUSHING.
11	140923		SUB= 150283
12	143996		PULLEY.ENG.CLUTCH
15	151346		TANK FUEL REAR
16	109227X		PAD IDLER TI
17	106082X		PAD-SPACER LT
18	140527		CAP ASM FUEL
19			CHECK WITH SUPPLIER
19	13290300		PLUG T
20	132748		SUB= 532132748
21	17720410		SCREW LT
22	132783		CHOKE CONTROL
24	11050600		LOCKWASHER
25	73920600		"NUT,KEPS 3/8-24IM"
26	3645J		BUSHING OUTLET T
27	139277		STEM.TANK.FUEL
28	7834R		SUB= 8542R
29	132920		SPARK ARREST KIT
30	161547		EXTRUSION HOOD
32			CHECK WITH SUPPLIER
33	73800600		NUT
35	10040500		LOCKWASHER
37	123487X		HOSE CLAMP
38	74780624		"BOLT,HEX"
39	17490636		SCREW.3/8-16X2.25
40	17490664		SCREW.TT.3/8-16X4
41	126197X		WASHER
42	10040700		LOCKWASHER
43	150280		BOLT.7/16-20X4.25
45	128861		NUT
47	142040		SPACER.ENGINE
48	19132007		WASHER T
51	161064		PIPE.MANIFOLD
54	19131414		WASHER
55	13280336		PIPE NIPPLE LT
63	145549		HEAT.SHIELD.VGT.
64	17490612		SCREW
65	19131614		WASHER
69	165391		SUB= 273485
74	162295		ELBOW STREET BASS
75	163776		SHIELD.HEAT.INTEK.VGT
79	71070512		SCREW

### TRACTOR - - MODEL NUMBER AYP8228B89

BRIGGS & STRATTON ENGINE - MODEL NUMBER 407777, TYPE NUMBER 0122-E1



Ref #	Part Number	Qty	Description
1	499584		CYLINDER ASSY
2	499585		BUSHING CYLINDER
3	690926		SEAL OIL
4	690069		SUMP ENGINE
5	499587		HEAD CYLINDER NO. 1
5A	499595		HEAD CYLINDER NO. 2
6	690097		WASHER FLAT
7	690962		GASKET, CYLINDER HEAD
8	499601		BREATHER ASSY
9	690937		GASKET BREATHER
10	691003		SCREW, HEX
11	690942		TUBE, BREATHER
12	690945		GASKET, CRANKCASE
13	690360		SCREW, CYLINDER HEAD (3-9/16")
15	690946		PLUG, OIL DRAIN
16	691046		CRANKSHAFT
20	690947		SEAL OIL
22	690308		SCREW, CRANKCASE COVER
23	691053		FLYWHEEL
24	690974		KEY, FLYWHEEL
25	499588		PISTON ASSY (STD)
25	499589		PISTON ASSY (.010" O.S.)
25	499590		PISTON ASSY (.020" O.S.)
25	499591		PISTON ASSY (.030" O.S.)
26	499604		RING SET, PISTON (STD.)
26	499605		RING SET, PISTON (.010" O.S.)
26	499606		RING SET, PISTON (.020" O.S.)
26	499607		RING SET, PISTON (.030" O.S.)
27	690975		LOCK, PISTON PIN
28	499582		PIN ASSY, PISTON
29	499583		ROD ASSY, CONNECTING
32	690976		SCREW, CONNECTING ROD
33	499596		VALVE, EXHAUST
34	499597		VALVE, INTAKE
35	690963		SPRING, VALVE
40	690964		RETAINER, VALVE
42	499586		KEEPER VALVE
45	690977		TAPPET, VALVE
46	690978		GEAR, CAM
50	690948		MANIFOLD, INTAKE
51	690949		GASKET, CARB. MOUNTING
51A	690950		GASKET, INTAKE MANIFOLD
53	690951		STUD, CARB. MOUNTING
73	691055		SCREEN, ROTATING
75	691056		WASHER, SPRING
78	691057		SCREW, TORX
87	690657		SEAL, GOVERNOR SHAFT
89	690238		PLUG, OIL
95	690718		SCREW, SLOTTED
98	499802		SCREW, IDLE SPEED
102	690234		GASKET, PLATE
104	690984		PIN, FLOAT HINGE
105	690985		VALVE, NEEDLE
108	690986		VALVE, CHOKE
110	691261		WASHER
116	690987		O-RING, SOLENOID RETAINER
116A	690988		O-RING, FUEL TRANSFER TUBE
116B	690589		SEAL, O-RING (OIL PUMP COVER)

Ref #	Part Number	Qty	Description
116C	691031		SEAL, O-RING (DIPSTICK)
116D	691032		SEAL, O-RING (OIL FILTER TUBE)
117	690232		JET, MAIN (STANDARD)
119	690990		SCREW, PHILLIPS
119A	690991		SCREW, PHILLIPS
119B	690992		SCREW, PHILLIPS
119C	690720		SCREW, PHILLIPS
121	499811		CARBURETOR OVERHAUL KIT
122	690952		SPACER, CARBURETOR
125	499804		CARBURETOR
130	690993		VALVE, THROTTLE
131	499805		SHAFT, THROTTLE
133	499806		FLOAT, CARBURETOR
135	499803		TUBE, FUEL TRANSFER
137	690994		GASKET, FLOAT BOWL
141	499807		SHAFT CHOKE
142	499808		NOZZLE, CARBURETOR
146	94388		TIMING GEAR KEY
150	281767		GASKET, NOZZLE
160	690996		RETAINER, SOLENOID
163	691001		GASKET, AIR CLEANER
176	691033		SCREW, T-30
187	691050		LINE, FUEL
187A	691049		LINE, FUEL
188	691058		SCREW, HEX
190	690953		SCREW, TORX HEX
192	690083		ADJUSTER, ROCKER ARM
195			CHECK WITH SUPPLIER
209	690018		SPRING, GOVERNOR
211	690019		SPRING, GOVERNED IDLE
212	691020		LINK, THROTTLE
213	691021		BRACKET, CHOKE CONTROL
216	691022		LINK, CHOKE
219	394348		GEAR, GOVERNOR
220	690412		WASHER, THRUST
222	691023		PLATE, GOVERNOR CONTROL
227	691048		LEVER ASSY, GOVERNOR
240	691035		FILTER, FUEL
252	690956		ELEMENT, BREATHER
256	690957		RETAINER, ELEMENT
258	691003		SCREW, HEX
265	691024		CLAMP, CASING
277	691029		NUT, HEX
304	691004		HOUSING, BLOWER
305	691005		SCREW, HEX
309	691262		MOTOR, STARTER
310	691263		SCREW, HEX
311	691264		BRUSH, SET
332	690059		NUT, FLYWHEEL
333	691060		ARMATURE, MAGNETO
334	691061		SCREW, ARMATURE MOUNTING
337	691043		SPARK PLUG
351	691044		SCREW, HEX
355	690997		WASHER, SEAL
358	499889		GASKET SET
363	691062		FLYWHEEL, PULLER
383	690966		WRENCH, SPARK PLUG
387	691034		PUMP, FUEL

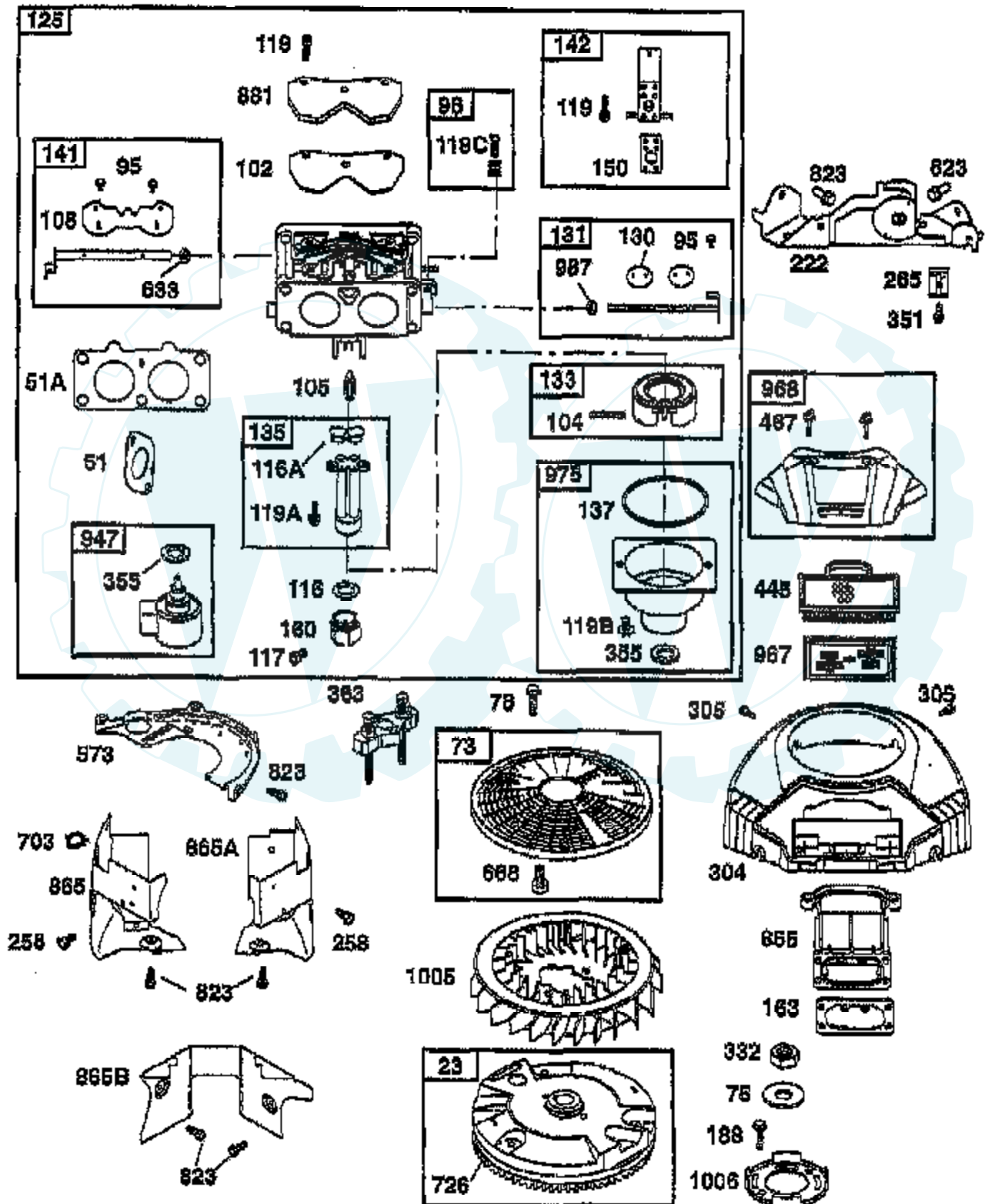
Ref #	Part Number	Qty	Description
445	691007		CARTRIDGE, AIR CLEANER
467	691008		NUT, AIR CLEANER
474	691063		ALTERNATOR
482	691183		SCREW, HEX
510	497606		DRIVE, STARTER
523	691036		DIPSTICK, OIL
525	691037		TUBE, OIL FILL
552	690552		BUSHING, GOVERNOR CRANK
552A	690553		BUSHING, GOVERNOR CRANK
556	690967		SCREW, HEX
562	690311		BOLT, CARRIAGE
573	691009		PLATE, BLACK
592	690958		NUT, HEX
592A	691029		NUT, HEX
601	691038		CLAMP, FUEL LINE
615	690328		RETAINER, GOVERNOR
615A	690317		RETAINER, GOVERNOR
615B	691265		RETAINER
616	691045		CRANK, GOVERNOR
633	690998		SEAL, CHOKE SHAFT
634	690442		WASHER, FLAT
635	691210		BOOT, SPARK PLUG
668	691215		SPACER
703	690010		CLIP, HOSE
718	690959		DOWEL, SLEEVE
726	499612		GEAR, RING
728	690372		SCREW, TORX
741	690980		GEAR, TIMING
783	691280		GEAR, STARTER
788	691039		BRACKET, PUMP
789	691220		HARNESS, WIRING
801	691283		CAP, DRIVE
802	691286		CAP, END
823	690960		SCREW, HEX
847	499602		DIPSTICK/TUBE ASSY
851	691234		TERMINAL, IGNITION CABLE
855	691011		ADAPTER, AIR
865	691012		COVER, AIR GUIDE
865A	691013		COVER, AIR GUIDE
865B	691015		COVER, AIR GUIDE
868	690968		SEAL, VALVE
871	690969		BUSHING, GUIDE
878	691237		WIRE, ALTERNATOR
881	690999		PLATE, COVER
883	690970		GASKET, EXHAUST
918	691040		HOSE, VACUUM
947	499809		SOLENOID, FUEL
965	499613		COVER, OIL PUMP
967	691016		FILTER, PRE-CLEANER
968	499788		COVER, AIR CLEANER
975	499810		BOWL, FLOAT
977	499812		GASKET SET, CARBURETOR
987	691000		SEAL, THROTTLE SHAFT
1005	691243		FAN, FLYWHEEL
1006	691247		RETAINER, FAN
1017	690770		SCREEN, OIL PUMP
1019	690103		LABEL KIT
1022	690971		GASKET, ROCKER COVER

Ref #	Part Number	Qty	Description
1023	499599		COVER, ROCKER (CYL. NO.1)
1023A	499600		COVER, ROCKER (CYL. NO.2)
1024	499054		PUMP, OIL
1026	690981		ROD, PUSH (STEEL)
1026A	690982		ROD, PUSH (ALUMINUM)
1027	690041		FILTER, OIL
1029	690972		ARM, ROCKER
1033	499890		VALVE OVERHAUL KIT
1035	691042		SHAFT, OIL PUMP
1036	499783		LABEL KIT, EMISSION
1058	273694		OWNER'S MANUAL
1090	691293		RETAINER, BRUSH
1100	690973		PIVOT, ROCKER ARM
2500	407777-0027		ENGINE



### TRACTOR -- MODEL NUMBER AYP8228B89

### BRIGGS & STRATTON ENGINE - MODEL NUMBER 407777, TYPE NUMBER 0122-E1



Ref #	Part Number	Qty	Description
	1 499584		CYLINDER ASSY
	2 499585		BUSHING CYLINDER
	3 690926		SEAL OIL
	4 690069		SUMP ENGINE
	5 499587		HEAD CYLINDER NO. 1
	5A 499595		HEAD CYLINDER NO. 2
	6 690097		WASHER FLAT
	7 690962		GASKET, CYLINDER HEAD
	8 499601		BREATHER ASSY
	9 690937		GASKET BREATHER
	10 691003		SCREW, HEX
	11 690942		TUBE, BREATHER
	12 690945		GASKET, CRANKCASE
	13 690360		SCREW, CYLINDER HEAD (3-9/16")
	15 690946		PLUG, OIL DRAIN
	16 691046		CRANKSHAFT
	20 690947		SEAL OIL
	22 690308		SCREW, CRANKCASE COVER
	23 691053		FLYWHEEL
	24 690974		KEY, FLYWHEEL
	25 499588		PISTON ASSY (STD)
	25 499589		PISTON ASSY (.010" O.S.)
	25 499590		PISTON ASSY (.020" O.S.)
	25 499591		PISTON ASSY (.030" O.S.)
	26 499604		RING SET, PISTON (STD.)
	26 499605		RING SET, PISTON (.010" O.S.)
	26 499606		RING SET, PISTON (.020" O.S.)
	26 499607		RING SET, PISTON (.030" O.S.)
	27 690975		LOCK, PISTON PIN
	28 499582		PIN ASSY, PISTON
	29 499583		ROD ASSY, CONNECTING
	32 690976		SCREW, CONNECTING ROD
	33 499596		VALVE, EXHAUST
	34 499597		VALVE, INTAKE
	35 690963		SPRING, VALVE
	40 690964		RETAINER, VALVE
	42 499586		KEEPER VALVE
	45 690977		TAPPET, VALVE
	46 690978		GEAR, CAM
	50 690948		MANIFOLD, INTAKE
	51 690949		GASKET, CARB. MOUNTING
	51A 690950		GASKET, INTAKE MANIFOLD
	53 690951		STUD, CARB. MOUNTING
	73 691055		SCREEN, ROTATING
	75 691056		WASHER, SPRING
	78 691057		SCREW, TORX
	87 690657		SEAL, GOVERNOR SHAFT
	89 690238		PLUG, OIL
	95 690718		SCREW, SLOTTED
	98 499802		SCREW, IDLE SPEED
	102 690234		GASKET, PLATE
	104 690984		PIN, FLOAT HINGE
	105 690985		VALVE, NEEDLE
	108 690986		VALVE, CHOKE
	110 691261		WASHER
	116 690987		O-RING, SOLENOID RETAINER
	116A 690988		O-RING, FUEL TRANSFER TUBE
	116B 690589		SEAL, O-RING (OIL PUMP COVER)



Ref #	Part Number	Qty	Description
116C	691031		SEAL, O-RING (DIPSTICK)
116D	691032		SEAL, O-RING (OIL FILTER TUBE)
117	690232		JET, MAIN (STANDARD)
119	690990		SCREW, PHILLIPS
119A	690991		SCREW, PHILLIPS
119B	690992		SCREW, PHILLIPS
119C	690720		SCREW, PHILLIPS
121	499811		CARBURETOR OVERHAUL KIT
122	690952		SPACER, CARBURETOR
125	499804		CARBURETOR
130	690993		VALVE, THROTTLE
131	499805		SHAFT, THROTTLE
133	499806		FLOAT, CARBURETOR
135	499803		TUBE, FUEL TRANSFER
137	690994		GASKET, FLOAT BOWL
141	499807		SHAFT CHOKE
142	499808		NOZZLE, CARBURETOR
146	94388		TIMING GEAR KEY
150	281767		GASKET, NOZZLE
160	690996		RETAINER, SOLENOID
163	691001		GASKET, AIR CLEANER
176	691033		SCREW, T-30
187	691050		LINE, FUEL
187A	691049		LINE, FUEL
188	691058		SCREW, HEX
190	690953		SCREW, TORX HEX
192	690083		ADJUSTER, ROCKER ARM
195			CHECK WITH SUPPLIER
209	690018		SPRING, GOVERNOR
211	690019		SPRING, GOVERNED IDLE
212	691020		LINK, THROTTLE
213	691021		BRACKET, CHOKE CONTROL
216	691022		LINK, CHOKE
219	394348		GEAR, GOVERNOR
220	690412		WASHER, THRUST
222	691023		PLATE, GOVERNOR CONTROL
227	691048		LEVER ASSY, GOVERNOR
240	691035		FILTER, FUEL
252	690956		ELEMENT, BREATHER
256	690957		RETAINER, ELEMENT
258	691003		SCREW, HEX
265	691024		CLAMP, CASING
277	691029		NUT, HEX
304	691004		HOUSING, BLOWER
305	691005		SCREW, HEX
309	691262		MOTOR, STARTER
310	691263		SCREW, HEX
311	691264		BRUSH, SET
332	690059		NUT, FLYWHEEL
333	691060		ARMATURE, MAGNETO
334	691061		SCREW, ARMATURE MOUNTING
337	691043		SPARK PLUG
351	691044		SCREW, HEX
355	690997		WASHER, SEAL
358	499889		GASKET SET
363	691062		FLYWHEEL, PULLER
383	690966		WRENCH, SPARK PLUG
387	691034		PUMP, FUEL

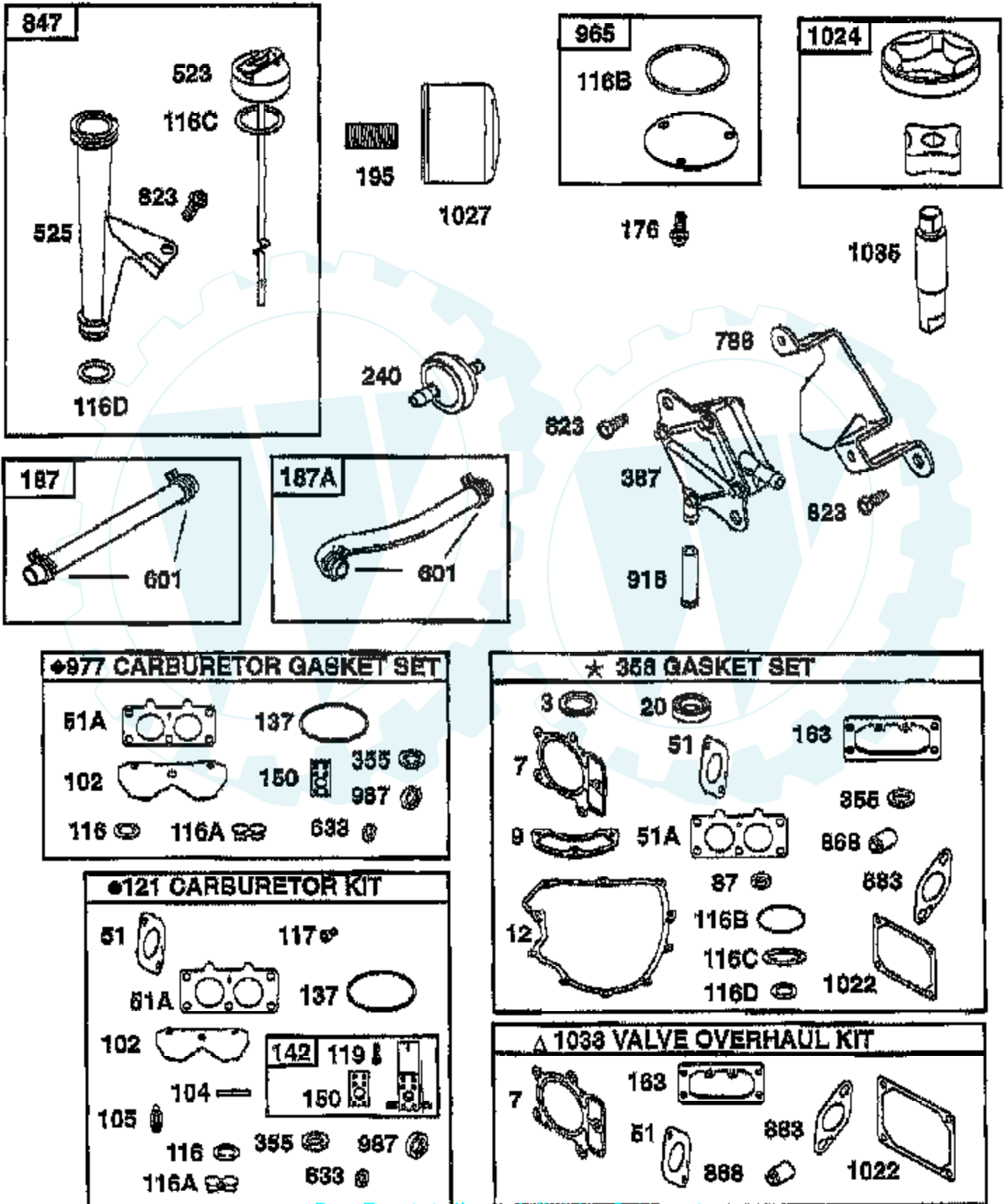
Ref #	Part Number	Qty	Description
445	691007		CARTRIDGE, AIR CLEANER
467	691008		NUT, AIR CLEANER
474	691063		ALTERNATOR
482	691183		SCREW, HEX
510	497606		DRIVE, STARTER
523	691036		DIPSTICK, OIL
525	691037		TUBE, OIL FILL
552	690552		BUSHING, GOVERNOR CRANK
552A	690553		BUSHING, GOVERNOR CRANK
556	690967		SCREW, HEX
562	690311		BOLT, CARRIAGE
573	691009		PLATE, BLACK
592	690958		NUT, HEX
592A	691029		NUT, HEX
601	691038		CLAMP, FUEL LINE
615	690328		RETAINER, GOVERNOR
615A	690317		RETAINER, GOVERNOR
615B	691265		RETAINER
616	691045		CRANK, GOVERNOR
633	690998		SEAL, CHOKE SHAFT
634	690442		WASHER, FLAT
635	691210		BOOT, SPARK PLUG
668	691215		SPACER
703	690010		CLIP, HOSE
718	690959		DOWEL, SLEEVE
726	499612		GEAR, RING
728	690372		SCREW, TORX
741	690980		GEAR, TIMING
783	691280		GEAR, STARTER
788	691039		BRACKET, PUMP
789	691220		HARNESS, WIRING
801	691283		CAP, DRIVE
802	691286		CAP, END
823	690960		SCREW, HEX
847	499602		DIPSTICK/TUBE ASSY
851	691234		TERMINAL, IGNITION CABLE
855	691011		ADAPTER, AIR
865	691012		COVER, AIR GUIDE
865A	691013		COVER, AIR GUIDE
865B	691015		COVER, AIR GUIDE
868	690968		SEAL, VALVE
871	690969		BUSHING, GUIDE
878	691237		WIRE, ALTERNATOR
881	690999		PLATE, COVER
883	690970		GASKET, EXHAUST
918	691040		HOSE, VACUUM
947	499809		SOLENOID, FUEL
965	499613		COVER, OIL PUMP
967	691016		FILTER, PRE-CLEANER
968	499788		COVER, AIR CLEANER
975	499810		BOWL, FLOAT
977	499812		GASKET SET, CARBURETOR
987	691000		SEAL, THROTTLE SHAFT
1005	691243		FAN, FLYWHEEL
1006	691247		RETAINER, FAN
1017	690770		SCREEN, OIL PUMP
1019	690103		LABEL KIT
1022	690971		GASKET, ROCKER COVER

Ref #	Part Number	Qty	Description
1023	499599		COVER, ROCKER (CYL. NO.1)
1023A	499600		COVER, ROCKER (CYL. NO.2)
1024	499054		PUMP, OIL
1026	690981		ROD, PUSH (STEEL)
1026A	690982		ROD, PUSH (ALUMINUM)
1027	690041		FILTER, OIL
1029	690972		ARM, ROCKER
1033	499890		VALVE OVERHAUL KIT
1035	691042		SHAFT, OIL PUMP
1036	499783		LABEL KIT, EMISSION
1058	273694		OWNER'S MANUAL
1090	691293		RETAINER, BRUSH
1100	690973		PIVOT, ROCKER ARM
2500	407777-0027		ENGINE



**TRACTOR - - MODEL NUMBER AYP8228B89**

**BRIGGS & STRATTON ENGINE - MODEL NUMBER 407777, TYPE NUMBER 0122-E1**



Ref #	Part Number	Qty	Description
1	499584		CYLINDER ASSY
2	499585		BUSHING CYLINDER
3	690926		SEAL OIL
4	690069		SUMP ENGINE
5	499587		HEAD CYLINDER NO. 1
5A	499595		HEAD CYLINDER NO. 2
6	690097		WASHER FLAT
7	690962		GASKET, CYLINDER HEAD
8	499601		BREATHER ASSY
9	690937		GASKET BREATHER
10	691003		SCREW, HEX
11	690942		TUBE, BREATHER
12	690945		GASKET, CRANKCASE
13	690360		SCREW, CYLINDER HEAD (3-9/16")
15	690946		PLUG, OIL DRAIN
16	691046		CRANKSHAFT
20	690947		SEAL OIL
22	690308		SCREW, CRANKCASE COVER
23	691053		FLYWHEEL
24	690974		KEY, FLYWHEEL
25	499588		PISTON ASSY (STD)
25	499589		PISTON ASSY (.010" O.S.)
25	499590		PISTON ASSY (.020" O.S.)
25	499591		PISTON ASSY (.030" O.S.)
26	499604		RING SET, PISTON (STD.)
26	499605		RING SET, PISTON (.010" O.S.)
26	499606		RING SET, PISTON (.020" O.S.)
26	499607		RING SET, PISTON (.030" O.S.)
27	690975		LOCK, PISTON PIN
28	499582		PIN ASSY, PISTON
29	499583		ROD ASSY, CONNECTING
32	690976		SCREW, CONNECTING ROD
33	499596		VALVE, EXHAUST
34	499597		VALVE, INTAKE
35	690963		SPRING, VALVE
40	690964		RETAINER, VALVE
42	499586		KEEPER VALVE
45	690977		TAPPET, VALVE
46	690978		GEAR, CAM
50	690948		MANIFOLD, INTAKE
51	690949		GASKET, CARB. MOUNTING
51A	690950		GASKET, INTAKE MANIFOLD
53	690951		STUD, CARB. MOUNTING
73	691055		SCREEN, ROTATING
75	691056		WASHER, SPRING
78	691057		SCREW, TORX
87	690657		SEAL, GOVERNOR SHAFT
89	690238		PLUG, OIL
95	690718		SCREW, SLOTTED
98	499802		SCREW, IDLE SPEED
102	690234		GASKET, PLATE
104	690984		PIN, FLOAT HINGE
105	690985		VALVE, NEEDLE
108	690986		VALVE, CHOKE
110	691261		WASHER
116	690987		O-RING, SOLENOID RETAINER
116A	690988		O-RING, FUEL TRANSFER TUBE
116B	690589		SEAL, O-RING (OIL PUMP COVER)

Ref #	Part Number	Qty	Description
116C	691031		SEAL, O-RING (DIPSTICK)
116D	691032		SEAL, O-RING (OIL FILTER TUBE)
117	690232		JET, MAIN (STANDARD)
119	690990		SCREW, PHILLIPS
119A	690991		SCREW, PHILLIPS
119B	690992		SCREW, PHILLIPS
119C	690720		SCREW, PHILLIPS
121	499811		CARBURETOR OVERHAUL KIT
122	690952		SPACER, CARBURETOR
125	499804		CARBURETOR
130	690993		VALVE, THROTTLE
131	499805		SHAFT, THROTTLE
133	499806		FLOAT, CARBURETOR
135	499803		TUBE, FUEL TRANSFER
137	690994		GASKET, FLOAT BOWL
141	499807		SHAFT CHOKE
142	499808		NOZZLE, CARBURETOR
146	94388		TIMING GEAR KEY
150	281767		GASKET, NOZZLE
160	690996		RETAINER, SOLENOID
163	691001		GASKET, AIR CLEANER
176	691033		SCREW, T-30
187	691050		LINE, FUEL
187A	691049		LINE, FUEL
188	691058		SCREW, HEX
190	690953		SCREW, TORX HEX
192	690083		ADJUSTER, ROCKER ARM
195			CHECK WITH SUPPLIER
209	690018		SPRING, GOVERNOR
211	690019		SPRING, GOVERNED IDLE
212	691020		LINK, THROTTLE
213	691021		BRACKET, CHOKE CONTROL
216	691022		LINK, CHOKE
219	394348		GEAR, GOVERNOR
220	690412		WASHER, THRUST
222	691023		PLATE, GOVERNOR CONTROL
227	691048		LEVER ASSY, GOVERNOR
240	691035		FILTER, FUEL
252	690956		ELEMENT, BREATHER
256	690957		RETAINER, ELEMENT
258	691003		SCREW, HEX
265	691024		CLAMP, CASING
277	691029		NUT, HEX
304	691004		HOUSING, BLOWER
305	691005		SCREW, HEX
309	691262		MOTOR, STARTER
310	691263		SCREW, HEX
311	691264		BRUSH, SET
332	690059		NUT, FLYWHEEL
333	691060		ARMATURE, MAGNETO
334	691061		SCREW, ARMATURE MOUNTING
337	691043		SPARK PLUG
351	691044		SCREW, HEX
355	690997		WASHER, SEAL
358	499889		GASKET SET
363	691062		FLYWHEEL, PULLER
383	690966		WRENCH, SPARK PLUG
387	691034		PUMP, FUEL

Ref #	Part Number	Qty	Description
445	691007		CARTRIDGE, AIR CLEANER
467	691008		NUT, AIR CLEANER
474	691063		ALTERNATOR
482	691183		SCREW, HEX
510	497606		DRIVE, STARTER
523	691036		DIPSTICK, OIL
525	691037		TUBE, OIL FILL
552	690552		BUSHING, GOVERNOR CRANK
552A	690553		BUSHING, GOVERNOR CRANK
556	690967		SCREW, HEX
562	690311		BOLT, CARRIAGE
573	691009		PLATE, BLACK
592	690958		NUT, HEX
592A	691029		NUT, HEX
601	691038		CLAMP, FUEL LINE
615	690328		RETAINER, GOVERNOR
615A	690317		RETAINER, GOVERNOR
615B	691265		RETAINER
616	691045		CRANK, GOVERNOR
633	690998		SEAL, CHOKE SHAFT
634	690442		WASHER, FLAT
635	691210		BOOT, SPARK PLUG
668	691215		SPACER
703	690010		CLIP, HOSE
718	690959		DOWEL, SLEEVE
726	499612		GEAR, RING
728	690372		SCREW, TORX
741	690980		GEAR, TIMING
783	691280		GEAR, STARTER
788	691039		BRACKET, PUMP
789	691220		HARNESS, WIRING
801	691283		CAP, DRIVE
802	691286		CAP, END
823	690960		SCREW, HEX
847	499602		DIPSTICK/TUBE ASSY
851	691234		TERMINAL, IGNITION CABLE
855	691011		ADAPTER, AIR
865	691012		COVER, AIR GUIDE
865A	691013		COVER, AIR GUIDE
865B	691015		COVER, AIR GUIDE
868	690968		SEAL, VALVE
871	690969		BUSHING, GUIDE
878	691237		WIRE, ALTERNATOR
881	690999		PLATE, COVER
883	690970		GASKET, EXHAUST
918	691040		HOSE, VACUUM
947	499809		SOLENOID, FUEL
965	499613		COVER, OIL PUMP
967	691016		FILTER, PRE-CLEANER
968	499788		COVER, AIR CLEANER
975	499810		BOWL, FLOAT
977	499812		GASKET SET, CARBURETOR
987	691000		SEAL, THROTTLE SHAFT
1005	691243		FAN, FLYWHEEL
1006	691247		RETAINER, FAN
1017	690770		SCREEN, OIL PUMP
1019	690103		LABEL KIT
1022	690971		GASKET, ROCKER COVER

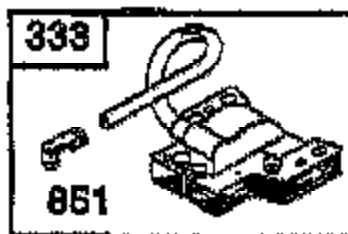
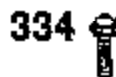
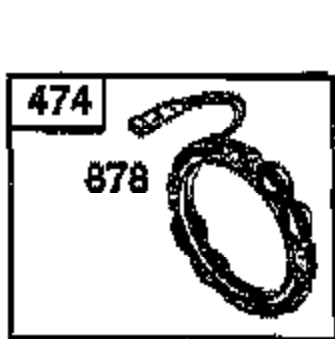
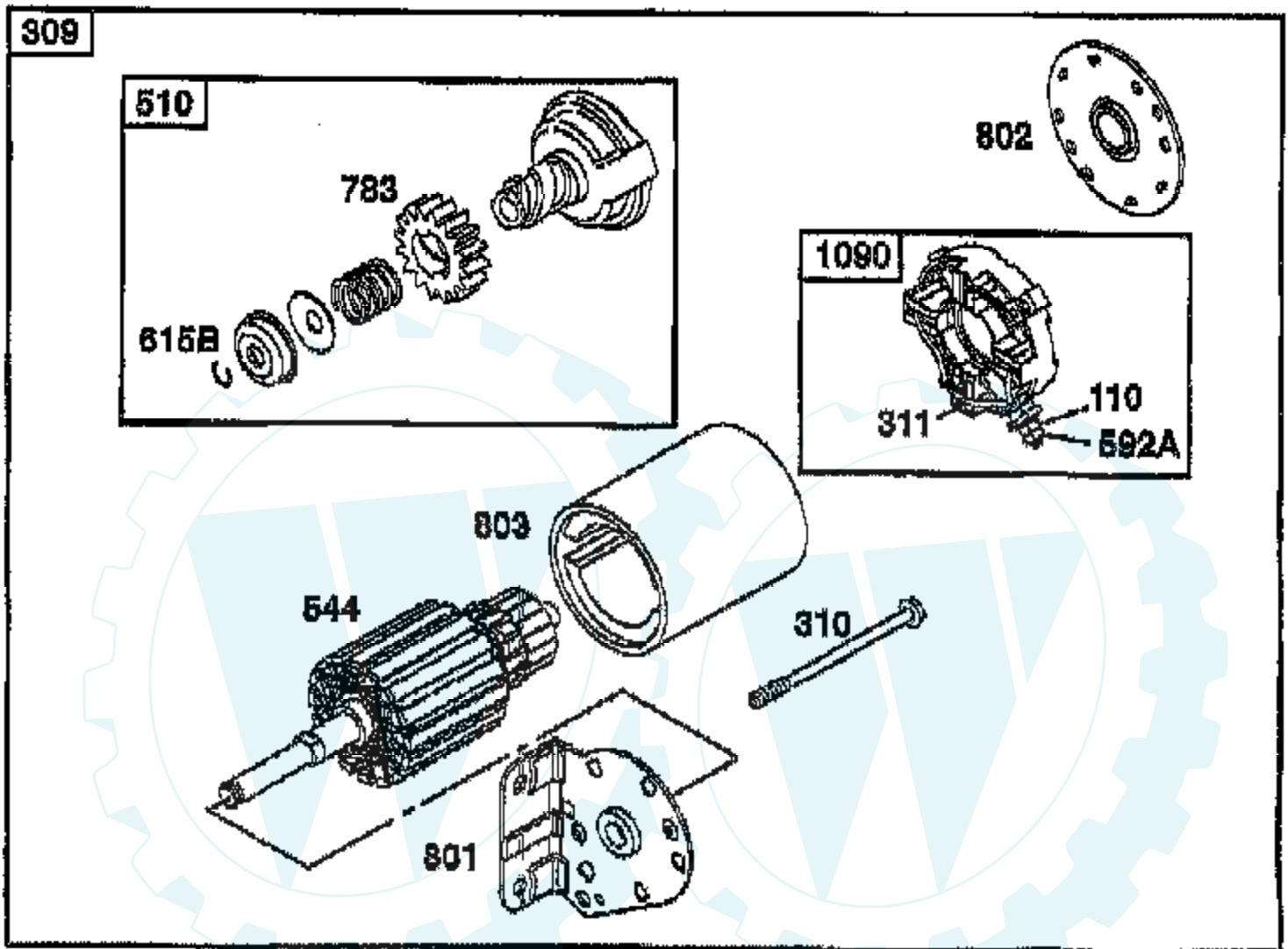
Ref #	Part Number	Qty	Description
1023	499599		COVER, ROCKER (CYL. NO.1)
1023A	499600		COVER, ROCKER (CYL. NO.2)
1024	499054		PUMP, OIL
1026	690981		ROD, PUSH (STEEL)
1026A	690982		ROD, PUSH (ALUMINUM)
1027	690041		FILTER, OIL
1029	690972		ARM, ROCKER
1033	499890		VALVE OVERHAUL KIT
1035	691042		SHAFT, OIL PUMP
1036	499783		LABEL KIT, EMISSION
1058	273694		OWNER'S MANUAL
1090	691293		RETAINER, BRUSH
1100	690973		PIVOT, ROCKER ARM
2500	407777-0027		ENGINE





### TRACTOR - - MODEL NUMBER AYP8228B89

BRIGGS & STRATTON ENGINE - MODEL NUMBER 407777, TYPE NUMBER 0122-E1

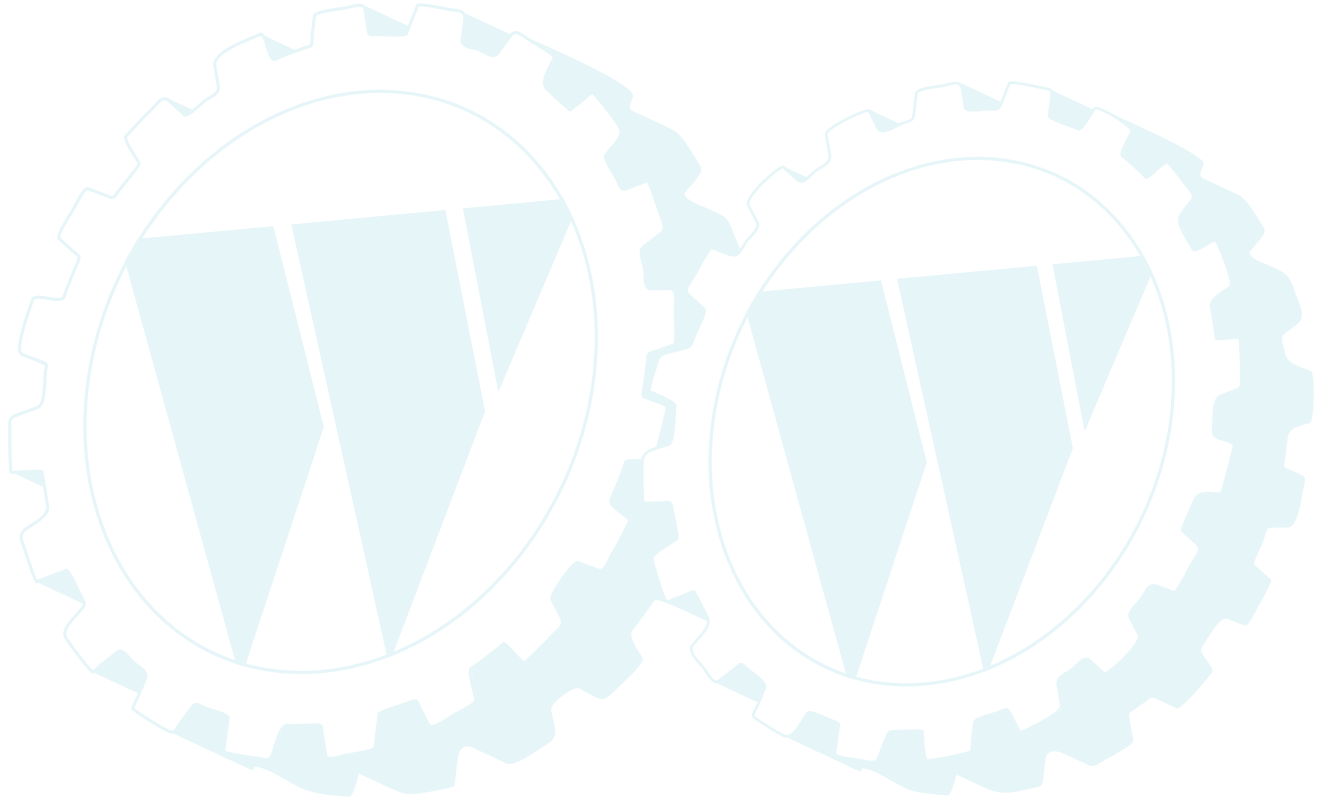


Ref #	Part Number	Qty	Description
1	499584		CYLINDER ASSY
2	499585		BUSHING CYLINDER
3	690926		SEAL OIL
4	690069		SUMP ENGINE
5	499587		HEAD CYLINDER NO. 1
5A	499595		HEAD CYLINDER NO. 2
6	690097		WASHER FLAT
7	690962		GASKET, CYLINDER HEAD
8	499601		BREATHER ASSY
9	690937		GASKET BREATHER
10	691003		SCREW, HEX
11	690942		TUBE, BREATHER
12	690945		GASKET, CRANKCASE
13	690360		SCREW, CYLINDER HEAD (3-9/16")
15	690946		PLUG, OIL DRAIN
16	691046		CRANKSHAFT
20	690947		SEAL OIL
22	690308		SCREW, CRANKCASE COVER
23	691053		FLYWHEEL
24	690974		KEY, FLYWHEEL
25	499588		PISTON ASSY (STD)
25	499589		PISTON ASSY (.010" O.S.)
25	499590		PISTON ASSY (.020" O.S.)
25	499591		PISTON ASSY (.030" O.S.)
26	499604		RING SET, PISTON (STD.)
26	499605		RING SET, PISTON (.010" O.S.)
26	499606		RING SET, PISTON (.020" O.S.)
26	499607		RING SET, PISTON (.030" O.S.)
27	690975		LOCK, PISTON PIN
28	499582		PIN ASSY, PISTON
29	499583		ROD ASSY, CONNECTING
32	690976		SCREW, CONNECTING ROD
33	499596		VALVE, EXHAUST
34	499597		VALVE, INTAKE
35	690963		SPRING, VALVE
40	690964		RETAINER, VALVE
42	499586		KEEPER VALVE
45	690977		TAPPET, VALVE
46	690978		GEAR, CAM
50	690948		MANIFOLD, INTAKE
51	690949		GASKET, CARB. MOUNTING
51A	690950		GASKET, INTAKE MANIFOLD
53	690951		STUD, CARB. MOUNTING
73	691055		SCREEN, ROTATING
75	691056		WASHER, SPRING
78	691057		SCREW, TORX
87	690657		SEAL, GOVERNOR SHAFT
89	690238		PLUG, OIL
95	690718		SCREW, SLOTTED
98	499802		SCREW, IDLE SPEED
102	690234		GASKET, PLATE
104	690984		PIN, FLOAT HINGE
105	690985		VALVE, NEEDLE
108	690986		VALVE, CHOKE
110	691261		WASHER
116	690987		O-RING, SOLENOID RETAINER
116A	690988		O-RING, FUEL TRANSFER TUBE
116B	690589		SEAL, O-RING (OIL PUMP COVER)

Ref #	Part Number	Qty	Description
116C	691031		SEAL, O-RING (DIPSTICK)
116D	691032		SEAL, O-RING (OIL FILTER TUBE)
117	690232		JET, MAIN (STANDARD)
119	690990		SCREW, PHILLIPS
119A	690991		SCREW, PHILLIPS
119B	690992		SCREW, PHILLIPS
119C	690720		SCREW, PHILLIPS
121	499811		CARBURETOR OVERHAUL KIT
122	690952		SPACER, CARBURETOR
125	499804		CARBURETOR
130	690993		VALVE, THROTTLE
131	499805		SHAFT, THROTTLE
133	499806		FLOAT, CARBURETOR
135	499803		TUBE, FUEL TRANSFER
137	690994		GASKET, FLOAT BOWL
141	499807		SHAFT CHOKE
142	499808		NOZZLE, CARBURETOR
146	94388		TIMING GEAR KEY
150	281767		GASKET, NOZZLE
160	690996		RETAINER, SOLENOID
163	691001		GASKET, AIR CLEANER
176	691033		SCREW, T-30
187	691050		LINE, FUEL
187A	691049		LINE, FUEL
188	691058		SCREW, HEX
190	690953		SCREW, TORX HEX
192	690083		ADJUSTER, ROCKER ARM
195			CHECK WITH SUPPLIER
209	690018		SPRING, GOVERNOR
211	690019		SPRING, GOVERNED IDLE
212	691020		LINK, THROTTLE
213	691021		BRACKET, CHOKE CONTROL
216	691022		LINK, CHOKE
219	394348		GEAR, GOVERNOR
220	690412		WASHER, THRUST
222	691023		PLATE, GOVERNOR CONTROL
227	691048		LEVER ASSY, GOVERNOR
240	691035		FILTER, FUEL
252	690956		ELEMENT, BREATHER
256	690957		RETAINER, ELEMENT
258	691003		SCREW, HEX
265	691024		CLAMP, CASING
277	691029		NUT, HEX
304	691004		HOUSING, BLOWER
305	691005		SCREW, HEX
309	691262		MOTOR, STARTER
310	691263		SCREW, HEX
311	691264		BRUSH, SET
332	690059		NUT, FLYWHEEL
333	691060		ARMATURE, MAGNETO
334	691061		SCREW, ARMATURE MOUNTING
337	691043		SPARK PLUG
351	691044		SCREW, HEX
355	690997		WASHER, SEAL
358	499889		GASKET SET
363	691062		FLYWHEEL, PULLER
383	690966		WRENCH, SPARK PLUG
387	691034		PUMP, FUEL

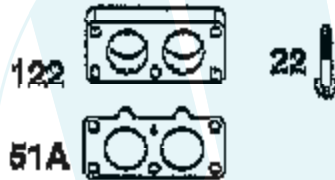
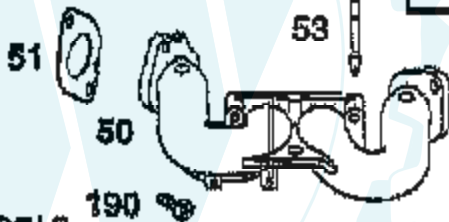
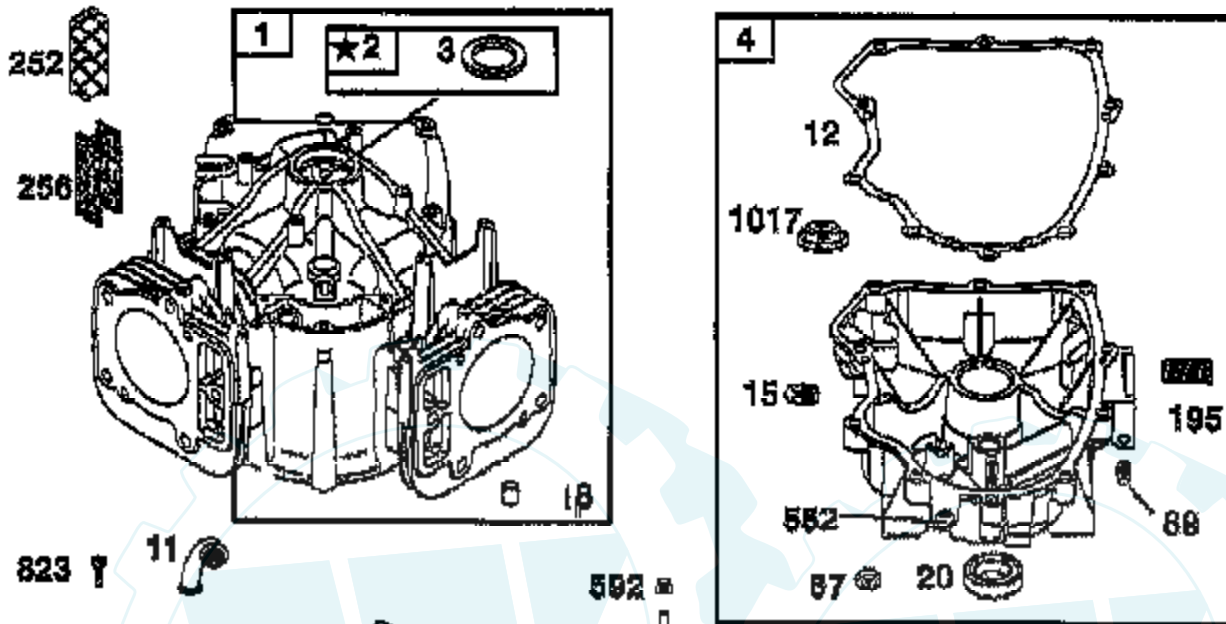
Ref #	Part Number	Qty	Description
445	691007		CARTRIDGE, AIR CLEANER
467	691008		NUT, AIR CLEANER
474	691063		ALTERNATOR
482	691183		SCREW, HEX
510	497606		DRIVE, STARTER
523	691036		DIPSTICK, OIL
525	691037		TUBE, OIL FILL
552	690552		BUSHING, GOVERNOR CRANK
552A	690553		BUSHING, GOVERNOR CRANK
556	690967		SCREW, HEX
562	690311		BOLT, CARRIAGE
573	691009		PLATE, BLACK
592	690958		NUT, HEX
592A	691029		NUT, HEX
601	691038		CLAMP, FUEL LINE
615	690328		RETAINER, GOVERNOR
615A	690317		RETAINER, GOVERNOR
615B	691265		RETAINER
616	691045		CRANK, GOVERNOR
633	690998		SEAL, CHOKE SHAFT
634	690442		WASHER, FLAT
635	691210		BOOT, SPARK PLUG
668	691215		SPACER
703	690010		CLIP, HOSE
718	690959		DOWEL, SLEEVE
726	499612		GEAR, RING
728	690372		SCREW, TORX
741	690980		GEAR, TIMING
783	691280		GEAR, STARTER
788	691039		BRACKET, PUMP
789	691220		HARNESS, WIRING
801	691283		CAP, DRIVE
802	691286		CAP, END
823	690960		SCREW, HEX
847	499602		DIPSTICK/TUBE ASSY
851	691234		TERMINAL, IGNITION CABLE
855	691011		ADAPTER, AIR
865	691012		COVER, AIR GUIDE
865A	691013		COVER, AIR GUIDE
865B	691015		COVER, AIR GUIDE
868	690968		SEAL, VALVE
871	690969		BUSHING, GUIDE
878	691237		WIRE, ALTERNATOR
881	690999		PLATE, COVER
883	690970		GASKET, EXHAUST
918	691040		HOSE, VACUUM
947	499809		SOLENOID, FUEL
965	499613		COVER, OIL PUMP
967	691016		FILTER, PRE-CLEANER
968	499788		COVER, AIR CLEANER
975	499810		BOWL, FLOAT
977	499812		GASKET SET, CARBURETOR
987	691000		SEAL, THROTTLE SHAFT
1005	691243		FAN, FLYWHEEL
1006	691247		RETAINER, FAN
1017	690770		SCREEN, OIL PUMP
1019	690103		LABEL KIT
1022	690971		GASKET, ROCKER COVER

Ref #	Part Number	Qty	Description
1023	499599		COVER, ROCKER (CYL. NO.1)
1023A	499600		COVER, ROCKER (CYL. NO.2)
1024	499054		PUMP, OIL
1026	690981		ROD, PUSH (STEEL)
1026A	690982		ROD, PUSH (ALUMINUM)
1027	690041		FILTER, OIL
1029	690972		ARM, ROCKER
1033	499890		VALVE OVERHAUL KIT
1035	691042		SHAFT, OIL PUMP
1036	499783		LABEL KIT, EMISSION
1058	273694		OWNER'S MANUAL
1090	691293		RETAINER, BRUSH
1100	690973		PIVOT, ROCKER ARM
2500	407777-0027		ENGINE



### TRACTOR - - MODEL NUMBER AYP8228B89

BRIGGS & STRATTON ENGINE - MODEL NUMBER 407777, TYPE NUMBER 0122-E1

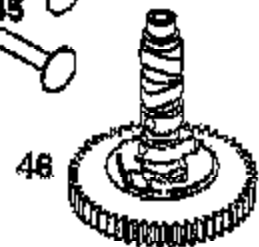
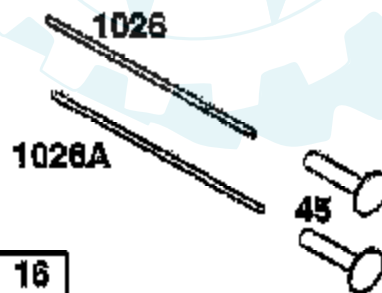
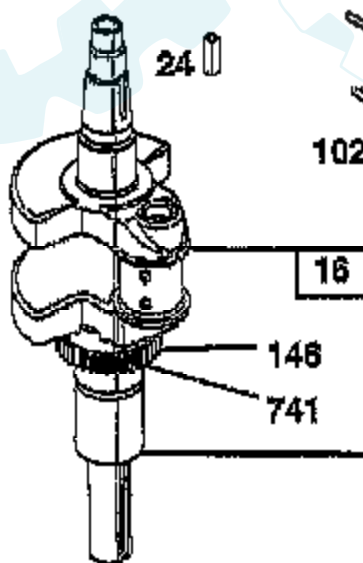
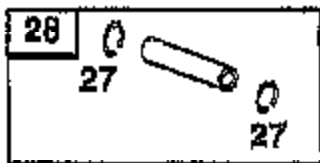
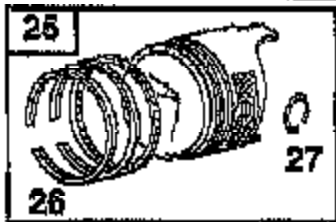


★ REQUIRES SPECIAL TOOLS TO INSTALL. SEE REPAIR INSTRUCTION MANUAL

1036 LABEL KIT-EMISSION

1019 LABEL KIT

1058 OWNER'S MANUAL



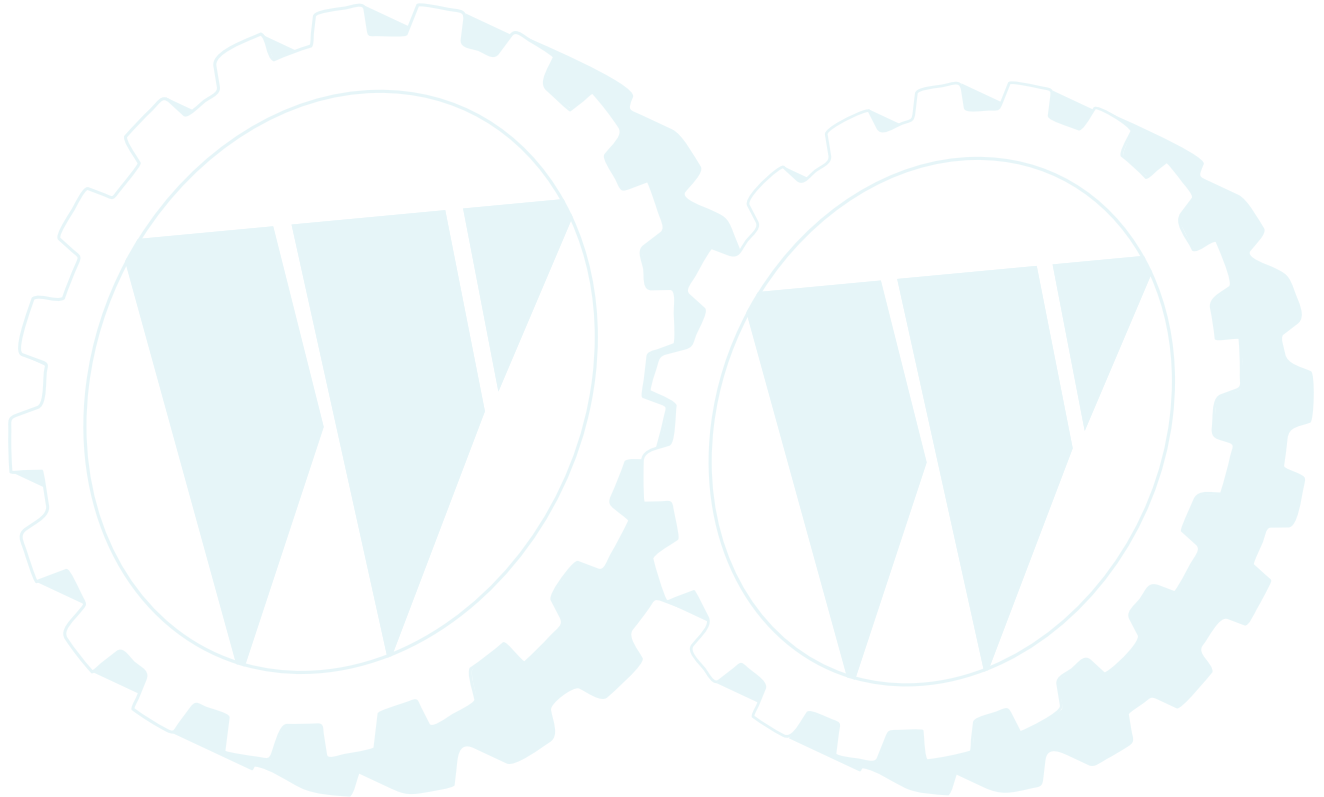
Ref #	Part Number	Qty	Description
1	499584		CYLINDER ASSY
2	499585		BUSHING CYLINDER
3	690926		SEAL OIL
4	690069		SUMP ENGINE
5	499587		HEAD CYLINDER NO. 1
5A	499595		HEAD CYLINDER NO. 2
6	690097		WASHER FLAT
7	690962		GASKET, CYLINDER HEAD
8	499601		BREATHER ASSY
9	690937		GASKET BREATHER
10	691003		SCREW, HEX
11	690942		TUBE, BREATHER
12	690945		GASKET, CRANKCASE
13	690360		SCREW, CYLINDER HEAD (3-9/16")
15	690946		PLUG, OIL DRAIN
16	691046		CRANKSHAFT
20	690947		SEAL OIL
22	690308		SCREW, CRANKCASE COVER
23	691053		FLYWHEEL
24	690974		KEY, FLYWHEEL
25	499588		PISTON ASSY (STD)
25	499589		PISTON ASSY (.010" O.S.)
25	499590		PISTON ASSY (.020" O.S.)
25	499591		PISTON ASSY (.030" O.S.)
26	499604		RING SET, PISTON (STD.)
26	499605		RING SET, PISTON (.010" O.S.)
26	499606		RING SET, PISTON (.020" O.S.)
26	499607		RING SET, PISTON (.030" O.S.)
27	690975		LOCK, PISTON PIN
28	499582		PIN ASSY, PISTON
29	499583		ROD ASSY, CONNECTING
32	690976		SCREW, CONNECTING ROD
33	499596		VALVE, EXHAUST
34	499597		VALVE, INTAKE
35	690963		SPRING, VALVE
40	690964		RETAINER, VALVE
42	499586		KEEPER VALVE
45	690977		TAPPET, VALVE
46	690978		GEAR, CAM
50	690948		MANIFOLD, INTAKE
51	690949		GASKET, CARB. MOUNTING
51A	690950		GASKET, INTAKE MANIFOLD
53	690951		STUD, CARB. MOUNTING
73	691055		SCREEN, ROTATING
75	691056		WASHER, SPRING
78	691057		SCREW, TORX
87	690657		SEAL, GOVERNOR SHAFT
89	690238		PLUG, OIL
95	690718		SCREW, SLOTTED
98	499802		SCREW, IDLE SPEED
102	690234		GASKET, PLATE
104	690984		PIN, FLOAT HINGE
105	690985		VALVE, NEEDLE
108	690986		VALVE, CHOKE
110	691261		WASHER
116	690987		O-RING, SOLENOID RETAINER
116A	690988		O-RING, FUEL TRANSFER TUBE
116B	690589		SEAL, O-RING (OIL PUMP COVER)

Ref #	Part Number	Qty	Description
116C	691031		SEAL, O-RING (DIPSTICK)
116D	691032		SEAL, O-RING (OIL FILTER TUBE)
117	690232		JET, MAIN (STANDARD)
119	690990		SCREW, PHILLIPS
119A	690991		SCREW, PHILLIPS
119B	690992		SCREW, PHILLIPS
119C	690720		SCREW, PHILLIPS
121	499811		CARBURETOR OVERHAUL KIT
122	690952		SPACER, CARBURETOR
125	499804		CARBURETOR
130	690993		VALVE, THROTTLE
131	499805		SHAFT, THROTTLE
133	499806		FLOAT, CARBURETOR
135	499803		TUBE, FUEL TRANSFER
137	690994		GASKET, FLOAT BOWL
141	499807		SHAFT CHOKE
142	499808		NOZZLE, CARBURETOR
146	94388		TIMING GEAR KEY
150	281767		GASKET, NOZZLE
160	690996		RETAINER, SOLENOID
163	691001		GASKET, AIR CLEANER
176	691033		SCREW, T-30
187	691050		LINE, FUEL
187A	691049		LINE, FUEL
188	691058		SCREW, HEX
190	690953		SCREW, TORX HEX
192	690083		ADJUSTER, ROCKER ARM
195			CHECK WITH SUPPLIER
209	690018		SPRING, GOVERNOR
211	690019		SPRING, GOVERNED IDLE
212	691020		LINK, THROTTLE
213	691021		BRACKET, CHOKE CONTROL
216	691022		LINK, CHOKE
219	394348		GEAR, GOVERNOR
220	690412		WASHER, THRUST
222	691023		PLATE, GOVERNOR CONTROL
227	691048		LEVER ASSY, GOVERNOR
240	691035		FILTER, FUEL
252	690956		ELEMENT, BREATHER
256	690957		RETAINER, ELEMENT
258	691003		SCREW, HEX
265	691024		CLAMP, CASING
277	691029		NUT, HEX
304	691004		HOUSING, BLOWER
305	691005		SCREW, HEX
309	691262		MOTOR, STARTER
310	691263		SCREW, HEX
311	691264		BRUSH, SET
332	690059		NUT, FLYWHEEL
333	691060		ARMATURE, MAGNETO
334	691061		SCREW, ARMATURE MOUNTING
337	691043		SPARK PLUG
351	691044		SCREW, HEX
355	690997		WASHER, SEAL
358	499889		GASKET SET
363	691062		FLYWHEEL, PULLER
383	690966		WRENCH, SPARK PLUG
387	691034		PUMP, FUEL



Ref #	Part Number	Qty	Description
445	691007		CARTRIDGE, AIR CLEANER
467	691008		NUT, AIR CLEANER
474	691063		ALTERNATOR
482	691183		SCREW, HEX
510	497606		DRIVE, STARTER
523	691036		DIPSTICK, OIL
525	691037		TUBE, OIL FILL
552	690552		BUSHING, GOVERNOR CRANK
552A	690553		BUSHING, GOVERNOR CRANK
556	690967		SCREW, HEX
562	690311		BOLT, CARRIAGE
573	691009		PLATE, BLACK
592	690958		NUT, HEX
592A	691029		NUT, HEX
601	691038		CLAMP, FUEL LINE
615	690328		RETAINER, GOVERNOR
615A	690317		RETAINER, GOVERNOR
615B	691265		RETAINER
616	691045		CRANK, GOVERNOR
633	690998		SEAL, CHOKE SHAFT
634	690442		WASHER, FLAT
635	691210		BOOT, SPARK PLUG
668	691215		SPACER
703	690010		CLIP, HOSE
718	690959		DOWEL, SLEEVE
726	499612		GEAR, RING
728	690372		SCREW, TORX
741	690980		GEAR, TIMING
783	691280		GEAR, STARTER
788	691039		BRACKET, PUMP
789	691220		HARNESS, WIRING
801	691283		CAP, DRIVE
802	691286		CAP, END
823	690960		SCREW, HEX
847	499602		DIPSTICK/TUBE ASSY
851	691234		TERMINAL, IGNITION CABLE
855	691011		ADAPTER, AIR
865	691012		COVER, AIR GUIDE
865A	691013		COVER, AIR GUIDE
865B	691015		COVER, AIR GUIDE
868	690968		SEAL, VALVE
871	690969		BUSHING, GUIDE
878	691237		WIRE, ALTERNATOR
881	690999		PLATE, COVER
883	690970		GASKET, EXHAUST
918	691040		HOSE, VACUUM
947	499809		SOLENOID, FUEL
965	499613		COVER, OIL PUMP
967	691016		FILTER, PRE-CLEANER
968	499788		COVER, AIR CLEANER
975	499810		BOWL, FLOAT
977	499812		GASKET SET, CARBURETOR
987	691000		SEAL, THROTTLE SHAFT
1005	691243		FAN, FLYWHEEL
1006	691247		RETAINER, FAN
1017	690770		SCREEN, OIL PUMP
1019	690103		LABEL KIT
1022	690971		GASKET, ROCKER COVER

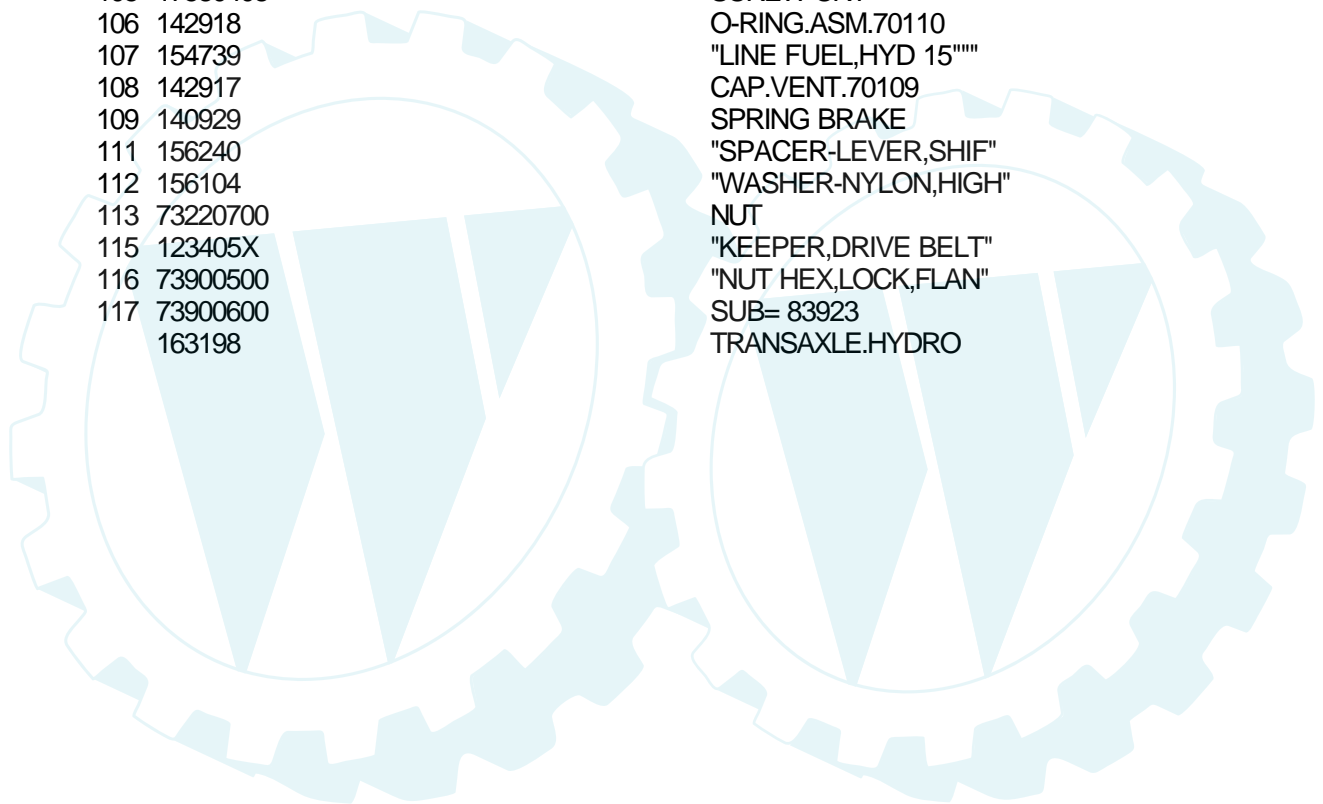
Ref #	Part Number	Qty	Description
1023	499599		COVER, ROCKER (CYL. NO.1)
1023A	499600		COVER, ROCKER (CYL. NO.2)
1024	499054		PUMP, OIL
1026	690981		ROD, PUSH (STEEL)
1026A	690982		ROD, PUSH (ALUMINUM)
1027	690041		FILTER, OIL
1029	690972		ARM, ROCKER
1033	499890		VALVE OVERHAUL KIT
1035	691042		SHAFT, OIL PUMP
1036	499783		LABEL KIT, EMISSION
1058	273694		OWNER'S MANUAL
1090	691293		RETAINER, BRUSH
1100	690973		PIVOT, ROCKER ARM
2500	407777-0027		ENGINE





Ref #	Part Number	Qty	Description
2	7070E		KEY 1/4 X 2.5
3	7563R		WASHER T
5	73680600		SUB= 73690600
6	76020412		COTTER PIN
7	140507		HUB WHEEL ASM
9	140080		BOLT.HUB.WHL.REAR
15	19131316		WASHER
17	140921		SPRING ROD BRAKE
20	73940800		SUB= 73360800
22	156103		ARM ASM SHIFT
23	121274X		KNOB.DUCKHEAD.1/2
28	73350600		NUT
29	140494		ROD BRAKE
30	19131616		WASHER HYT
33	12000053		E RING HYT
34	124236X		CAP
35	137648		ROD BRAKE PART GT
36	149412		SPRING.GRND.DRIVE
37			CHECK WITH SUPPLIER
38	150035		BUSHING.NYLINER
39	74321016		SCREW
40	5304J		ACT-SWITCH T
41	73661000		NUT.FLANGE
42	8883R		PEDAL COVER T
46	145170		RETAINER.SPRING
47	138228		ROD.CLUTCH
48	72110612		BOLT.3/8-16X1.50
50	131494		FLAT IDLER PULLEY
51	73800600		NUT
52	139123		PULLEY.IDLER.V.GR
53	207J		WASHER T
54	161590		CLUTCH.ARM.ASM
55	105706X		"LY, BEARING"
56	140218		BELT-V 84.5
58	74760724		BOLT
61	140488		PULLEY TRANSAXLE
64	154752		SHAFT-BRAKE/CLUTC
65	67609		AXLE BOLT
66	140296		WASHER.HARD.BLADE
67	19131312		WASHER
68	5142H		ROLL PIN STD
69	123800X		WASHER
70	151146		SUB= 164892
71	151179		"PLATE CONSOLE,SFT"
72	73680500		SUB= 73690500
73	74490548		BOLT.HEX.FLGHD.
74	142432		SCREW HEXWSH H-L
76	140481		BRACKET TRAN VGTH
77	74760716		BOLT
79	72110505		BOLT
80	140484		BRACKET TORQUE RH
81	17490612		SCREW
82	150586		BRACKET.MTG.FAN
83	140479		STRAP TORQUE MID
84	140490		SPACER
85	17541020		SCREW YTV
86	140462		"FAN 7"" HYDRO"
87	140491		ADAPTER FAN

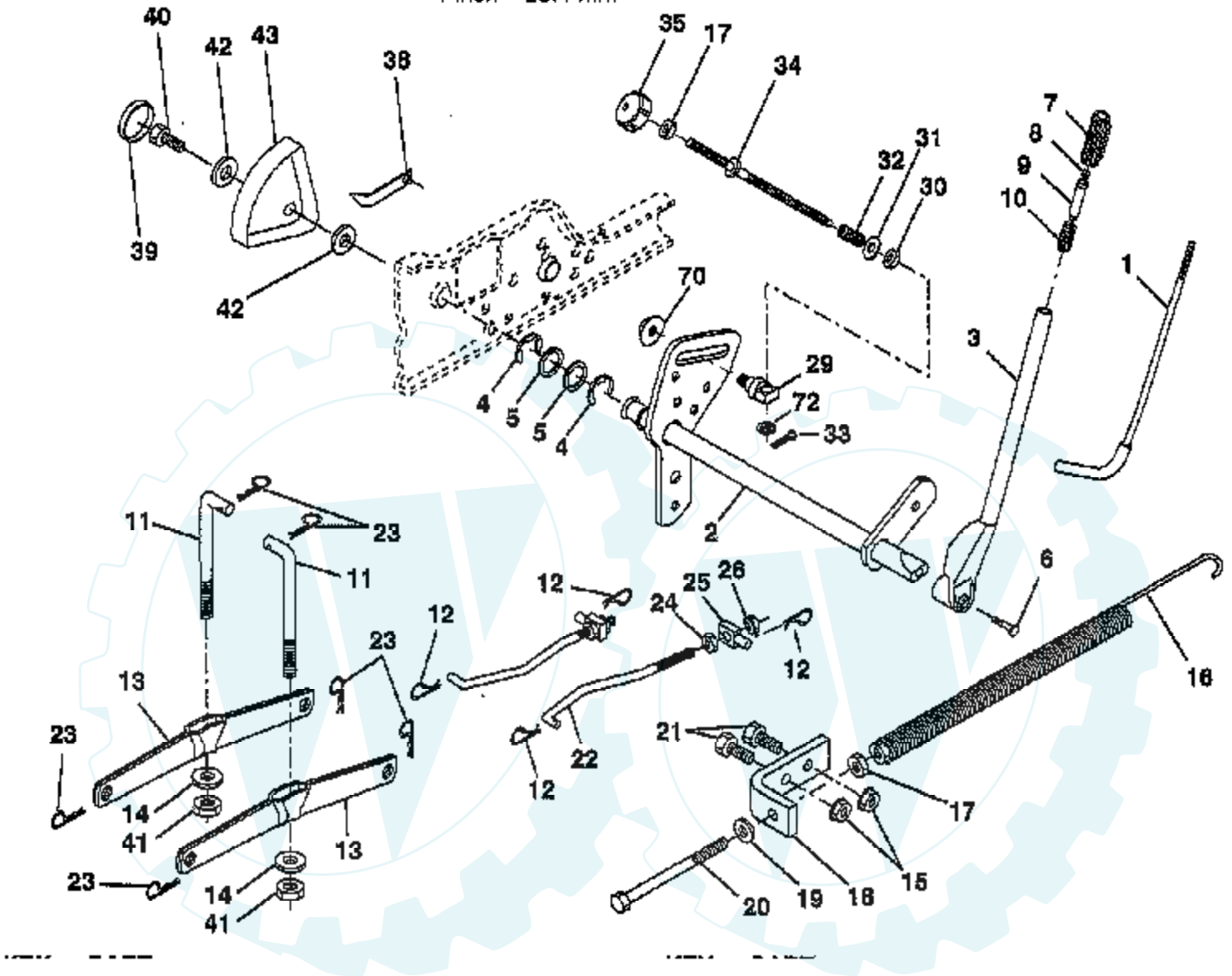
Ref #	Part Number	Qty	Description
88	161592		PULLEY FAN
89	73680700		NUT GTV
90	140489		KEEPER BELT
91	17490644		SCREW.HXWSH.3/8
92	74760520		BOLT
93	140502		LINK ASM SHIFT
94	133835		XMAS TREE FASTNER
96	141103		WASHER NICKEL PLT
98	141004		BRACKET SHIFT
99	17490624		SCREW LT
100	126881X		WASHER COMPRESSIN
101	156106		WASHER-BELLVILLE
104	140480		BRACKET IDLER
105	17580408		SCREW CRT
106	142918		O-RING.ASM.70110
107	154739		"LINE FUEL,HYD 15""
108	142917		CAP.VENT.70109
109	140929		SPRING BRAKE
111	156240		"SPACER-LEVER,SHIF"
112	156104		"WASHER-NYLON,HIGH"
113	73220700		NUT
115	123405X		"KEEPER,DRIVE BELT"
116	73900500		"NUT HEX,LOCK,FLAN"
117	73900600		SUB= 83923
	163198		TRANSAXLE.HYDRO



# TRACTOR - - MODEL NUMBER AYP8228B89

## LIFT ASSEMBLY

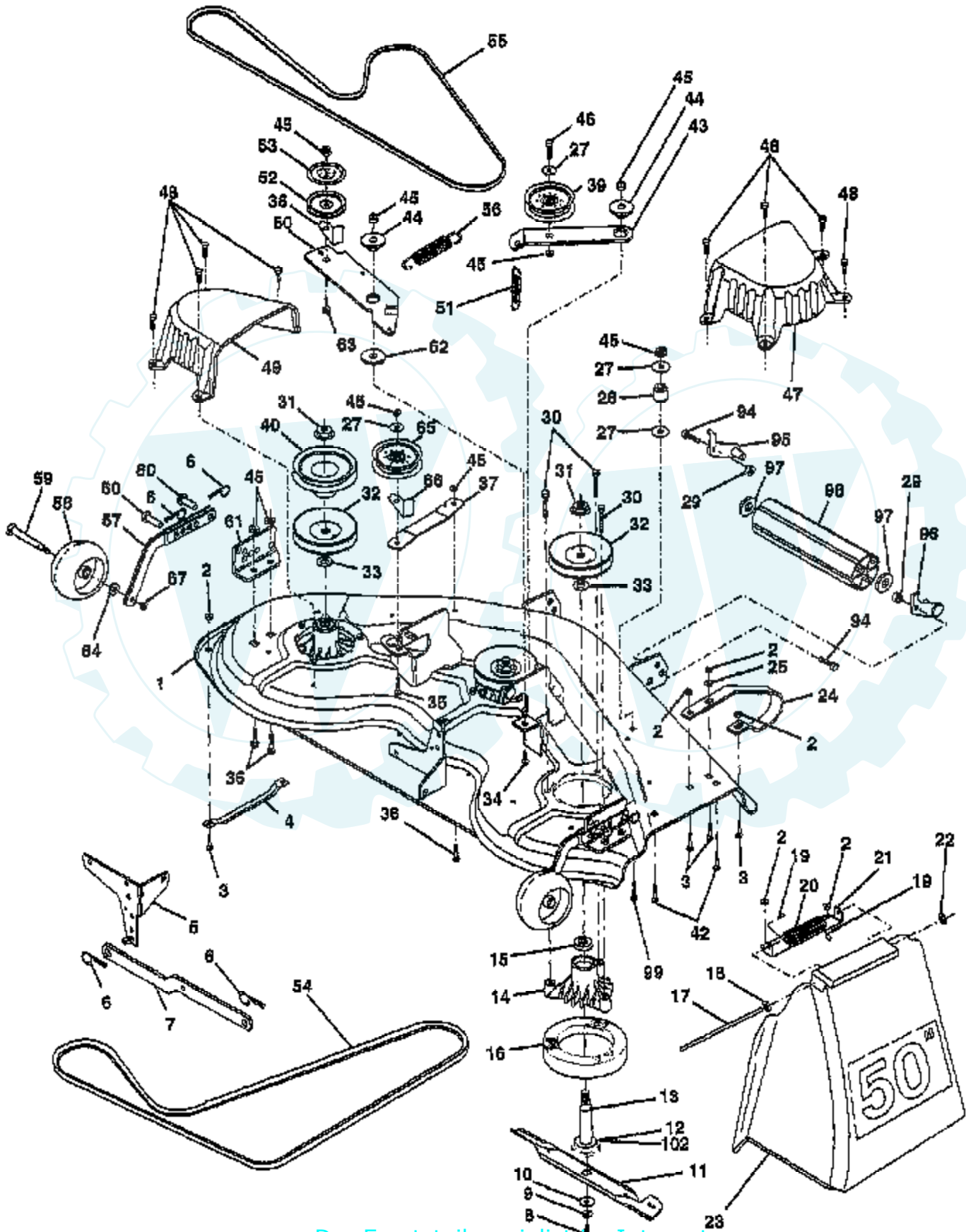
NOTE: All component dimensions given in U.S. Inches  
1 inch = 25.4 mm



Ref #	Part Number	Qty	Description
1	121006X		LEVER ROD LT
2	159187		SHAFT.ASM.LIFT.VGT
3	159189		LEVER.ASM.LIFT.RH
4	12000022		E-RING
5	19292016		WASHER
6	74780624		"BOLT,HEX"
7	125631X		GRIP HANDLE
8	122365X		SUB= 125925X
9	122364X		SUB= 125925X
10	2876H		SPRING T
11	146704		LINK.LIFT.MWR.VGT
12	163552		RETAINER SPRING
13	139868		ARM SUSP REAR
14	140302		BEARING PVT LH
15	73680600		SUB= 73690600
16	674A247		SUB= 918674A247
17	73350600		NUT
18	143363		BRACKET SPRING AS
19	19131316		WASHER
20	5328J		BOLT-ADJ SPRING T
21	74760616		BOLT
22	127218		LINK.FRONT
23	4939M		SUB= 85902
24	73350800		NUT
25	130171		TRUNION
26	73800800		NUT.LK.W/WSH.1/2.
29	150233		TRUNNION
30	110807X		NUT T
31	19131016		WASHER
32	137150		SPRING.COMP.INF.H
33	76020308		SUB= 3145
34	137167		ROD.ADJ.LIFT
35	138057		KNOB INF 3/8-16
38	155097		POINTER-INDICAT
39	123935X		"PLUG,HOLE"
40	17490512		SCREW
41	73540600		NUT.CROWNLOCK.3/8
42	19112410		WASHER
43	123934X		HEIGHT INDICATOR
70	145212		NUT.HXFLG.LOCK.
72			CHECK WITH SUPPLIER

# TRACTOR - - MODEL NUMBER AYP8228B89

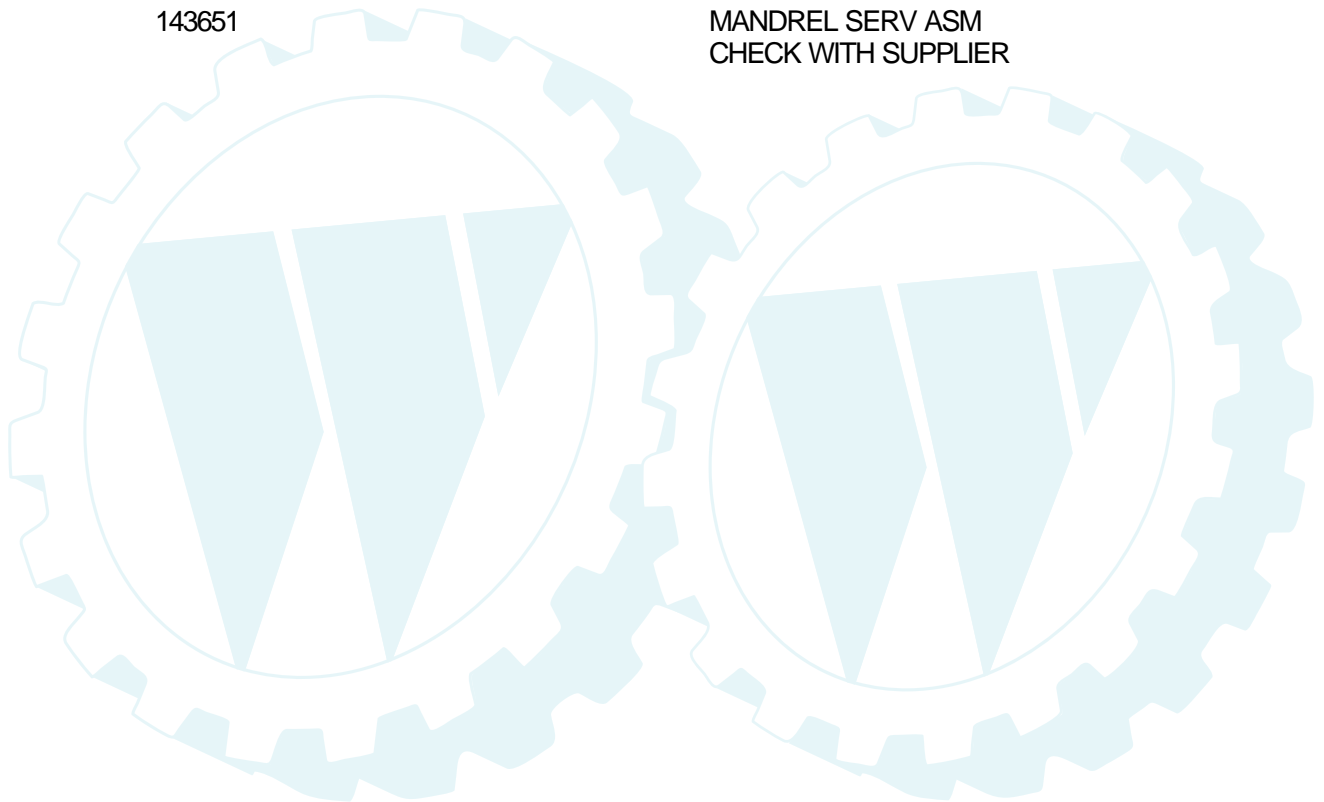
## MOWER DECK





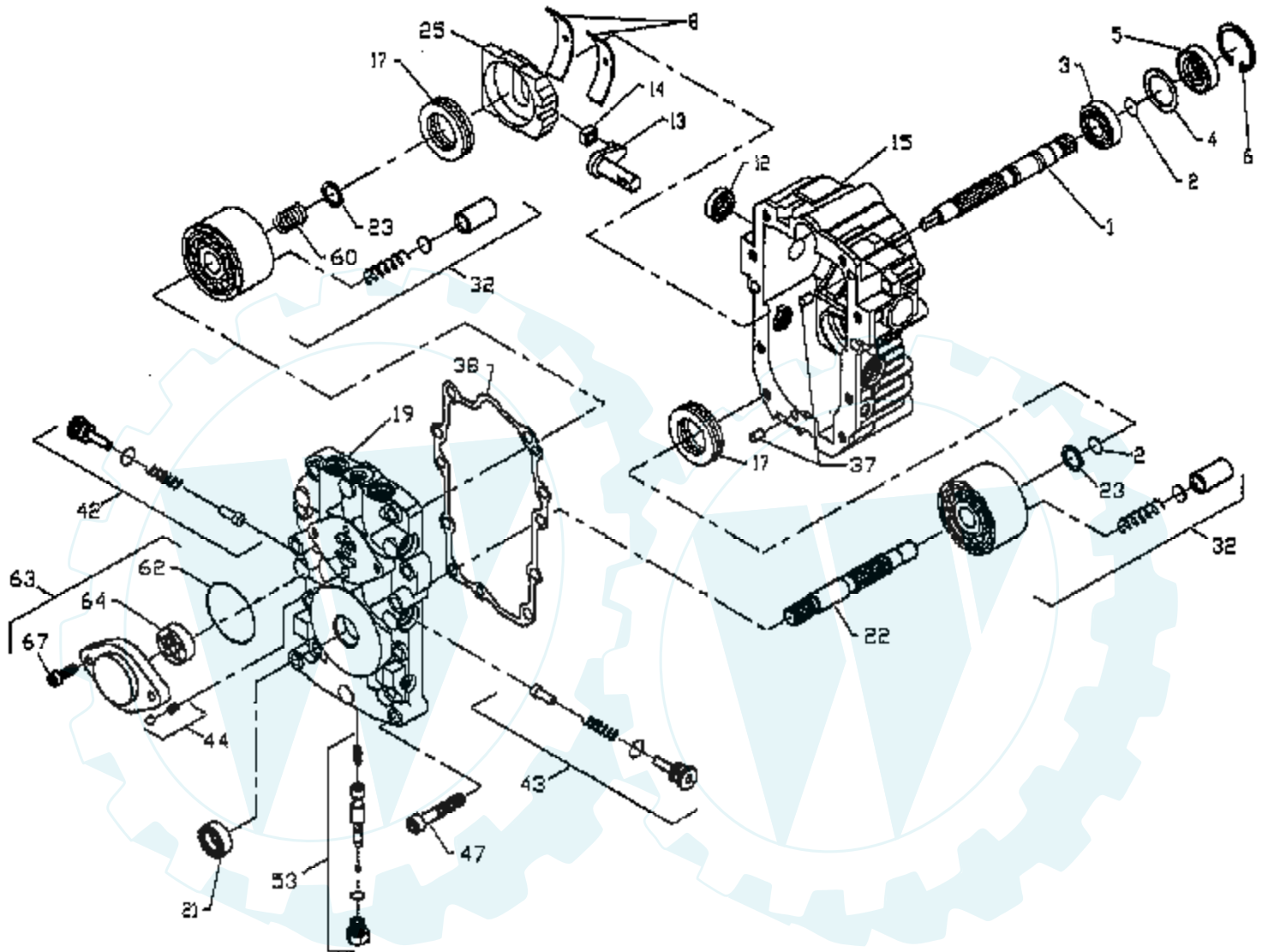
Ref #	Part Number	Qty	Description
1	156990		"DECK ASM-50""
2	73680500		SUB= 73690500
3	72110506		SUB= 72270506
4	7631J		RUNNER-LH M
5	138457		BRKT.ASM.SW.44/50
6	4939M		SUB= 85902
7	130832		SUB= 130833
8	850857		BLADE BOLT
9	10030600		SUB= 10040600
10	140296		WASHER.HARD.BLADE
11	137380		"BLADE.50"" HD"
12	129895		BEARING.BALL
13	137553		SHAFT.ASM.W/BRNG
14	137152		HOUSING.MAND.44.V
15	110485X		BEARING
16	140329		STRIPPER RND MWR
17	106735X		ROD-HINGE T
18	19111016		WASHER
19			CHECK WITH SUPPLIER
20	123713X		SPRING TORSION
21	137607		BRKT DEFLECTOR
22			CHECK WITH SUPPLIER
23	110509X		DEFLECTOR
24	136320		"RUNNER RH 50"" DK"
25	19111216		WASHER M
27	19131316		WASHER
28	132823		SUB= 532132823
29	73800600		NUT
30	157722		"SCREW-THD ROLL,WA"
31	137266		SUB= 139729
32	153535		PULLEY.MANDREL.42
33	129963		WASHER
34	72140610		BOLT.3/8-14X1.25
35	72110616		BOLT
36	72110608		BOLT D
37	137166		STIFFENER.ARM.IDL
38	156085		"KEEPER-BELT,IDLER"
39	131494		FLAT IDLER PULLEY
40	136572		"PULLEY.DRIVEN.44""
42	72140506		BOLT
43	136460		"ARM.IDLER.SEC.44""
44	122052X		SPACER RETAINER
45	73680600		SUB= 73690600
46	74760628		BOLT
47	137200		"COVER.MAND.RH.44""
48	137729		SCREW.1/4-20X5/8
49	136574		COVER.MANDREL.LH
50	137272		ARM.IDLER.PRIMARY
51	137273		"SPRING.SEC.44""VEN"
52	139245		PULLEY.IDLER.VGRO
53	137789		SHIELD.IDLER.44.V
54	139573		BELT V PRIM 50
55	144959		BELT-V.SEC.46.KEL
56	138687		SPRING.EXT.DECK.
57	136577		BAR.ASM.GUAGE.WHL
58	133957		WHEEL GAGE DONUT
59	137644		BOLT SHOULDER
60	139031		PIN.CLEVIS

Ref #	Part Number	Qty	Description
61	136573		BRACKET.GUAGE.WHL
62	133943		HARDENED WASHER
63	72110612		BOLT.3/8-16X1.50
64	19121414		WASHER
65	151831		PULLEY IDELR FLAT
66	156009		"KEEPER-BELT,IDLER"
67	73930600		LOCKNUT
94	74760616		BOLT
95	132274		SUB= 532132274
96	132273		SUB= 532132273
97	19171416		WASHER
98	132264		SUB= 532132264
99	72110614		BOLT
102	153390		WASHER.FELT.
	143651		MANDREL SERV ASM CHECK WITH SUPPLIER



# TRACTOR - - MODEL NUMBER AYP8228B89

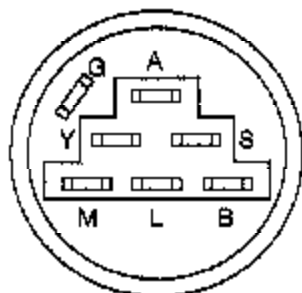
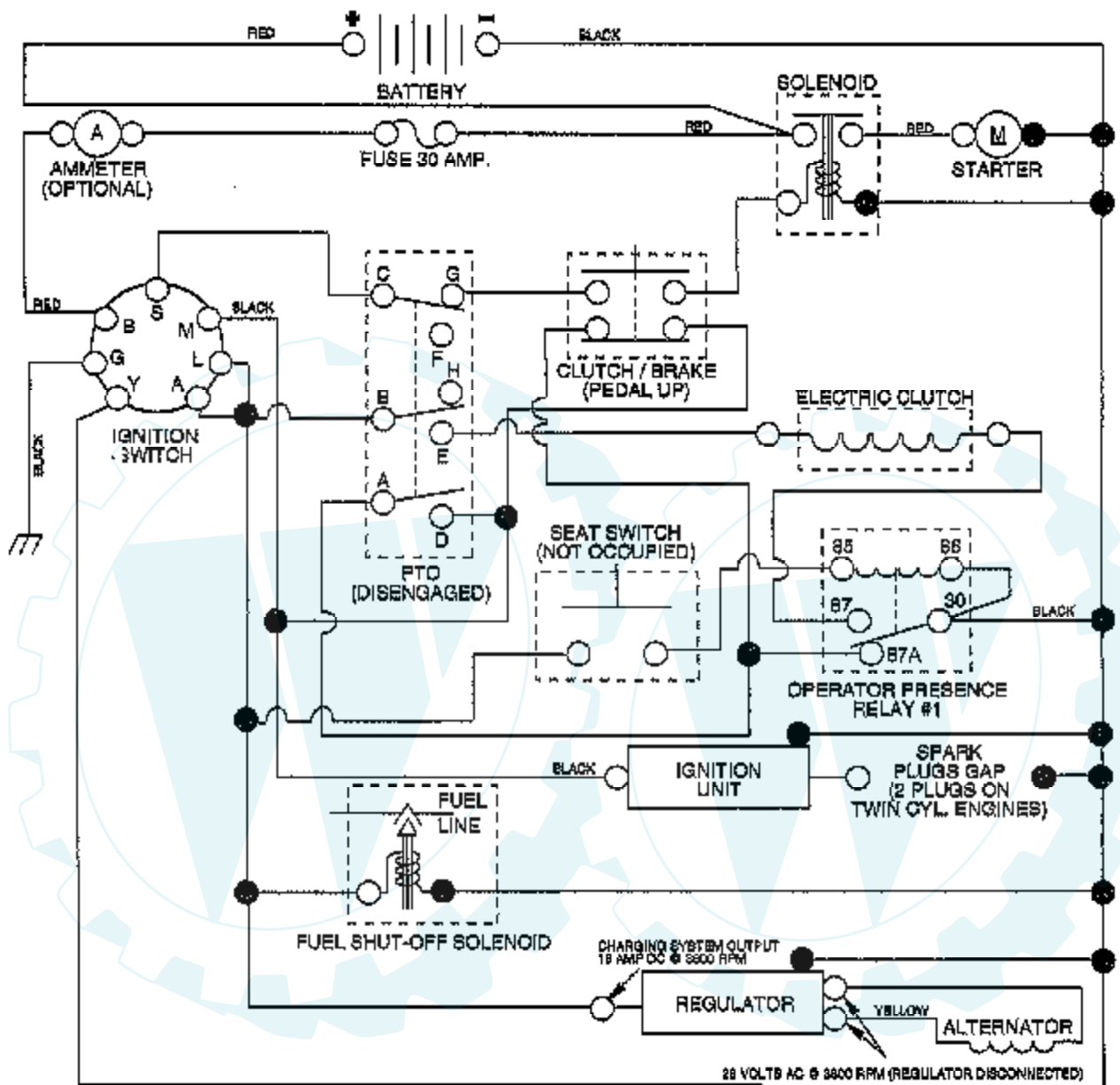
## PUMP ASSEMBLY - - MODEL NUMBER BDU -10L-118



Ref #	Part Number	Qty	Description
1	144569		SHAFT.PUMP.50158
2	122716X		RETAINIANG RING-(2003016)
3	122745X		BALL BEARING
4	122715X		SPACER
5	122700X		SEAL LIP
6	122699X		RING.RET.2003052
8	122767X		CRADLE BEARING (2003023)
12	122717X		SEAL.9008000-0126
13	122748X		TRUNION ARM (2003005)
14	122749X		GUIDE.2000015.HYD
15	144571		KIT.HSG.2513035.
17	122770X		SUB= 142936
19	153801		KIT.CENTER.50642
21	122722X		LIP SEAL-9008000-0127
22	144573		SHAFT.MOT.2003034
23	142978		WASHER.2003017
25	127148X		"SWASHPLATE,VARIAB"
32	142938		BLOCK.CLYN.70079.
37	122786X		PIN
38	122718X		GASKET.20030600
42	144578		KIT.VALVE.2510050
43	144578		KIT.VALVE.2510050
44	144579		KIT.RELI.2510011.
47	122752X		SCREW9007314-0808
53	127153X		"KIT,BYPASS VALVE"
60	142977		SPRING.2003014.
62	144581		ORING.90041011340
63	144582		KIT.CHARG.2513027
64	144583		GEROTOR.J1041008
67	144584		SCREW.CAP.50095.
	153769		PUMP.BDU-10L-122

# TRACTOR - - MODEL NUMBER AYP8228B89

## SCHEMATIC



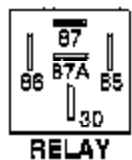
**IGNITION SWITCH**

POSITION	CIRCUIT	"MAKE"
OFF	G + M + L	NONE
RUN/LIGHT	B + L	A + Y
RUN	B + L	NONE
START	B + L + S	NONE

**NOTE**  
YOUR TRACTOR IS EQUIPPED WITH A SPECIAL ALTERNATOR SYSTEM. THE LIGHTS ARE NOT CONNECTED TO THE BATTERY, BUT HAVE THEIR OWN ELECTRICAL SOURCE. BECAUSE OF THIS, THE BRIGHTNESS OF THE LIGHTS WILL CHANGE WITH ENGINE SPEED. AT IDLE THE LIGHTS WILL DIM. AS THE ENGINE IS SPEEDED UP, THE LIGHTS WILL BECOME THEIR BRIGHTEST.

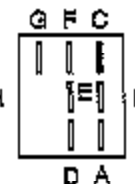
**WIRING INSULATED CLIPS**

**NOTE:** IF WIRING INSULATED CLIPS WERE REMOVED FOR SERVICING OF UNIT, THEY SHOULD BE REPLACED TO PROPERLY SECURE YOUR WIRING.



**RELAY**

PTO SWITCH	
POSITION	CIRCUIT
OFF	C + G, B + H
ON	C + F, B + E, A + D

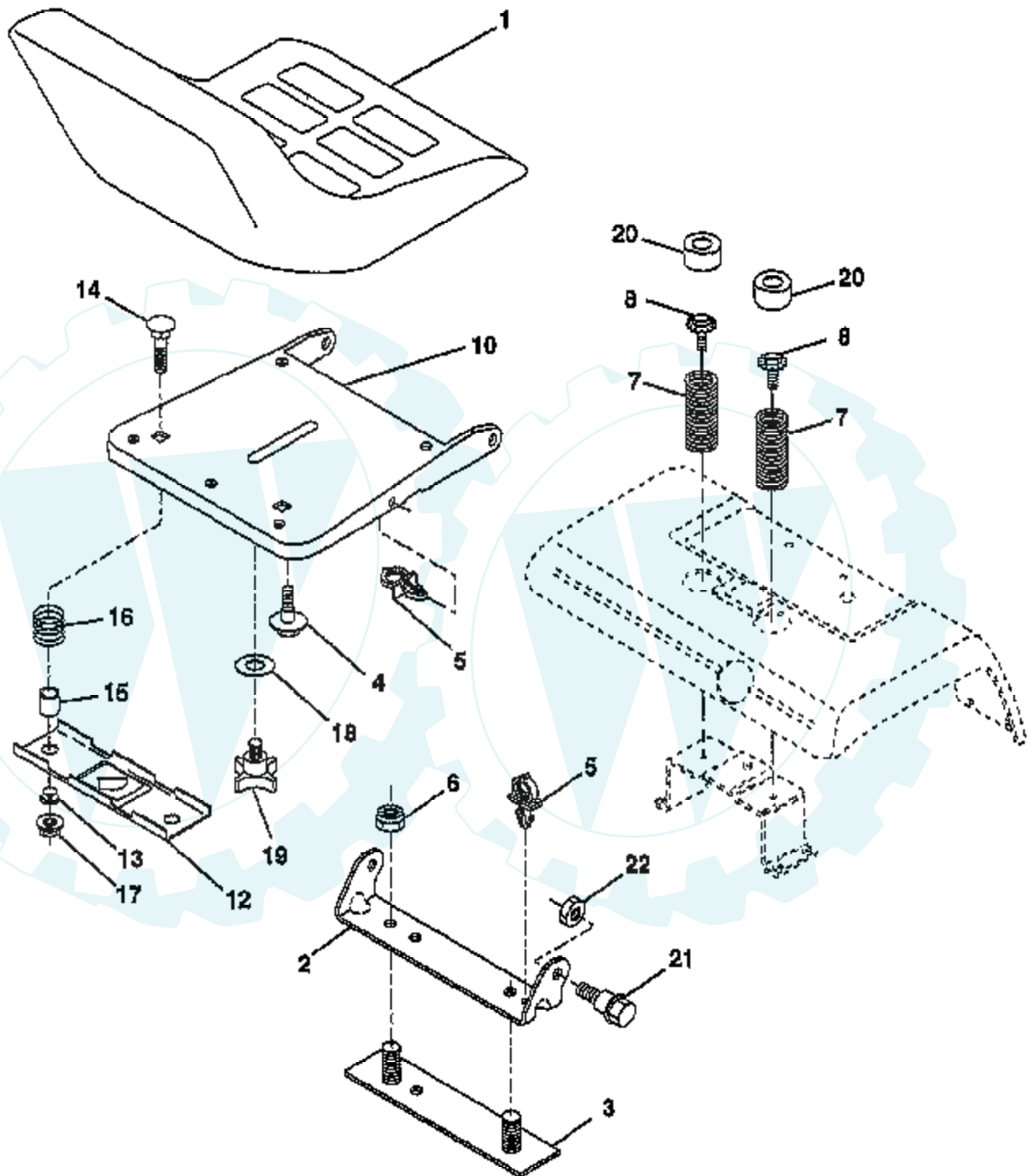


REMOVABLE CONNECTIONS      NON-REMOVABLE CONNECTIONS

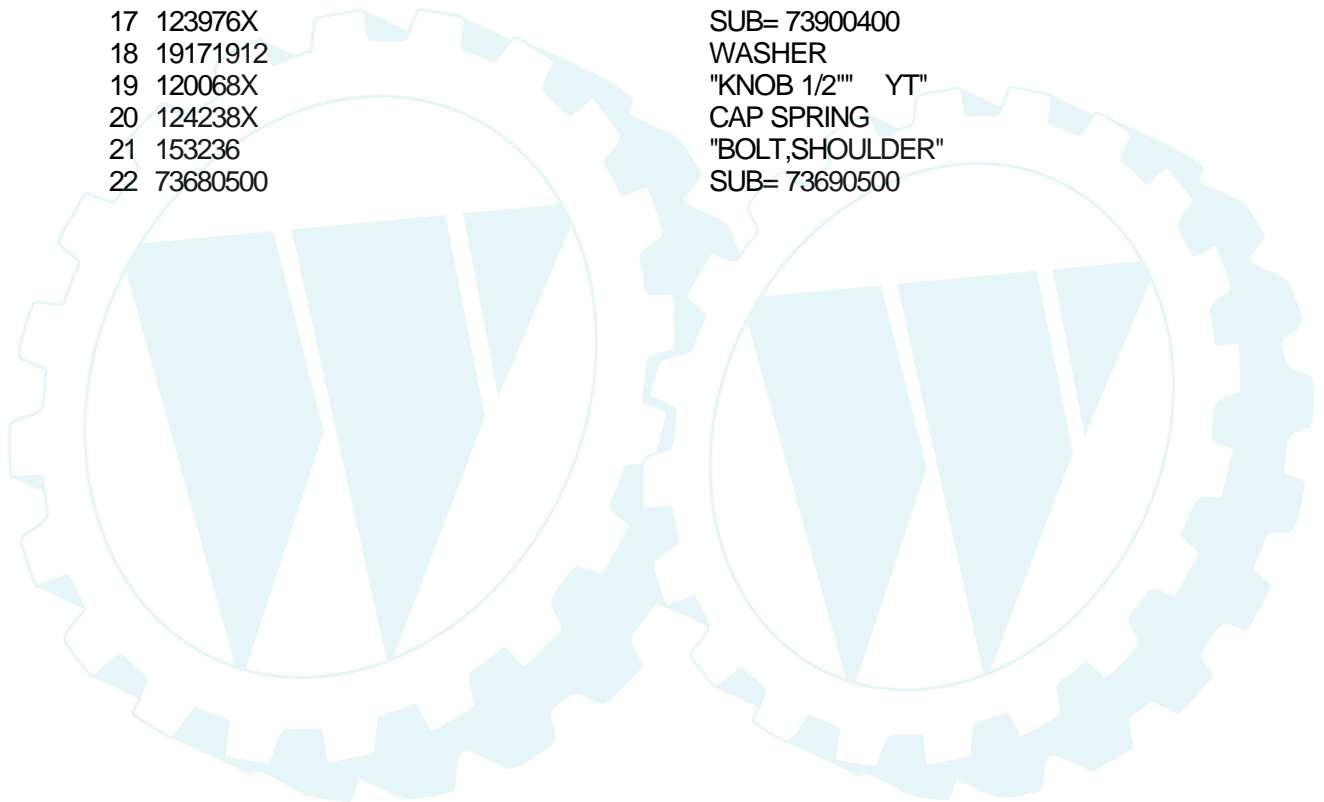
# TRACTOR - - MODEL NUMBER AYP8228B89

## SEAT ASSEMBLY

**NOTE:** All component dimensions given in U.S. Inches  
1 inch = 25.4 mm

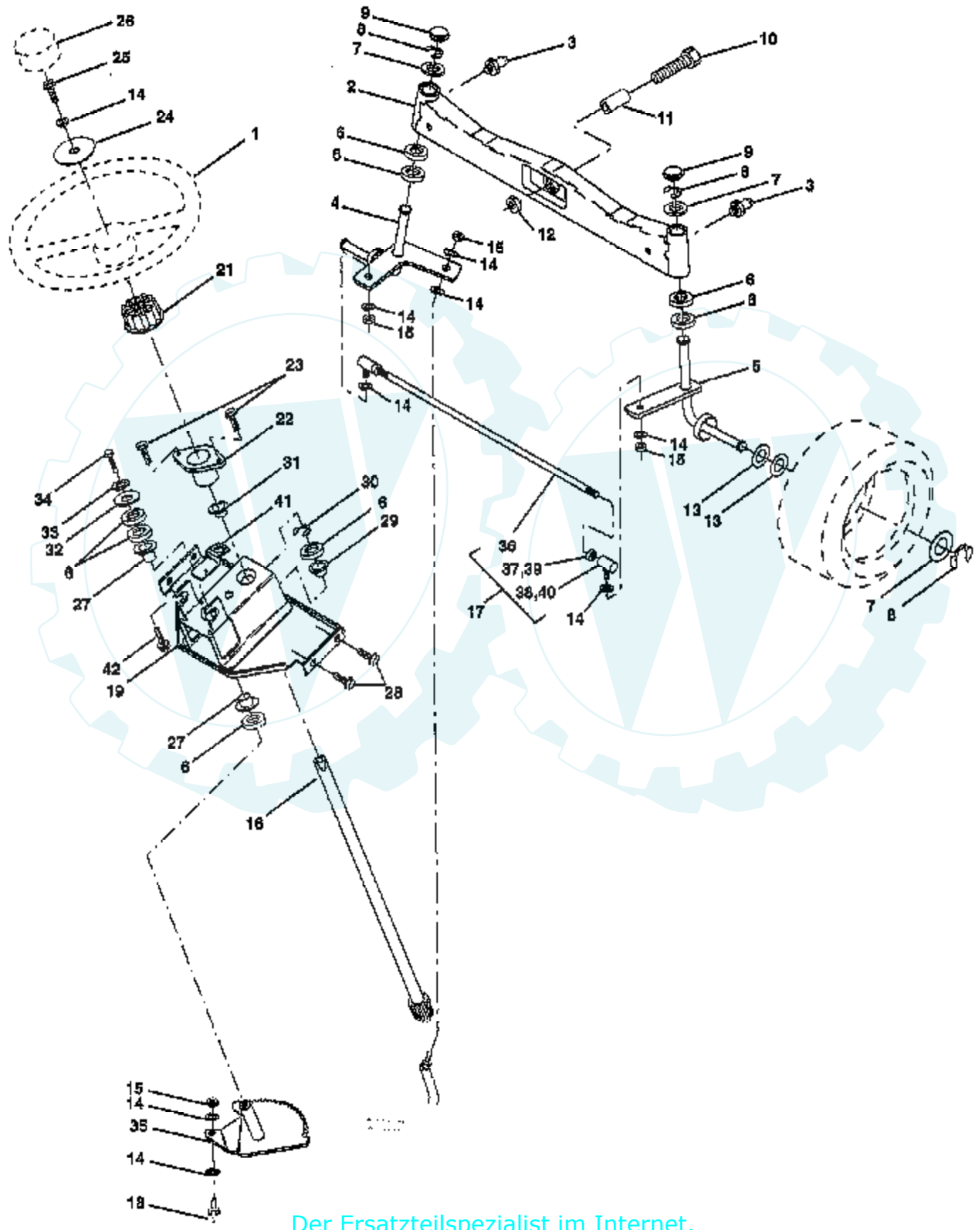


Ref #	Part Number	Qty	Description
1	127440		SUB= 140121
2	140551		BRACKET PVT SEAT
3	140675		STRAP ASM FENDER
4	127018X		"BOLT,SHOULDER"
5	145006		CLIP.PUSH-IN.HING
6	73800600		NUT
7	124181X		SPRING COMPRESSIO
8	150176		BOLT.5/16-18.UNC
10	155925		PAN-SEAT
12	121246X		BRKT SWITCH
13	121248X		BUSHING
14	72050412		BOLT-RD HD SQ NK
15	121249X		SPACER SPLIT
16	123740X		SPRING COMPRESSED
17	123976X		SUB= 73900400
18	19171912		WASHER
19	120068X		"KNOB 1/2"" YT"
20	124238X		CAP SPRING
21	153236		"BOLT,SHOULDER"
22	73680500		SUB= 73690500



# TRACTOR - - MODEL NUMBER AYP8228B89

## STEERING ASSEMBLY

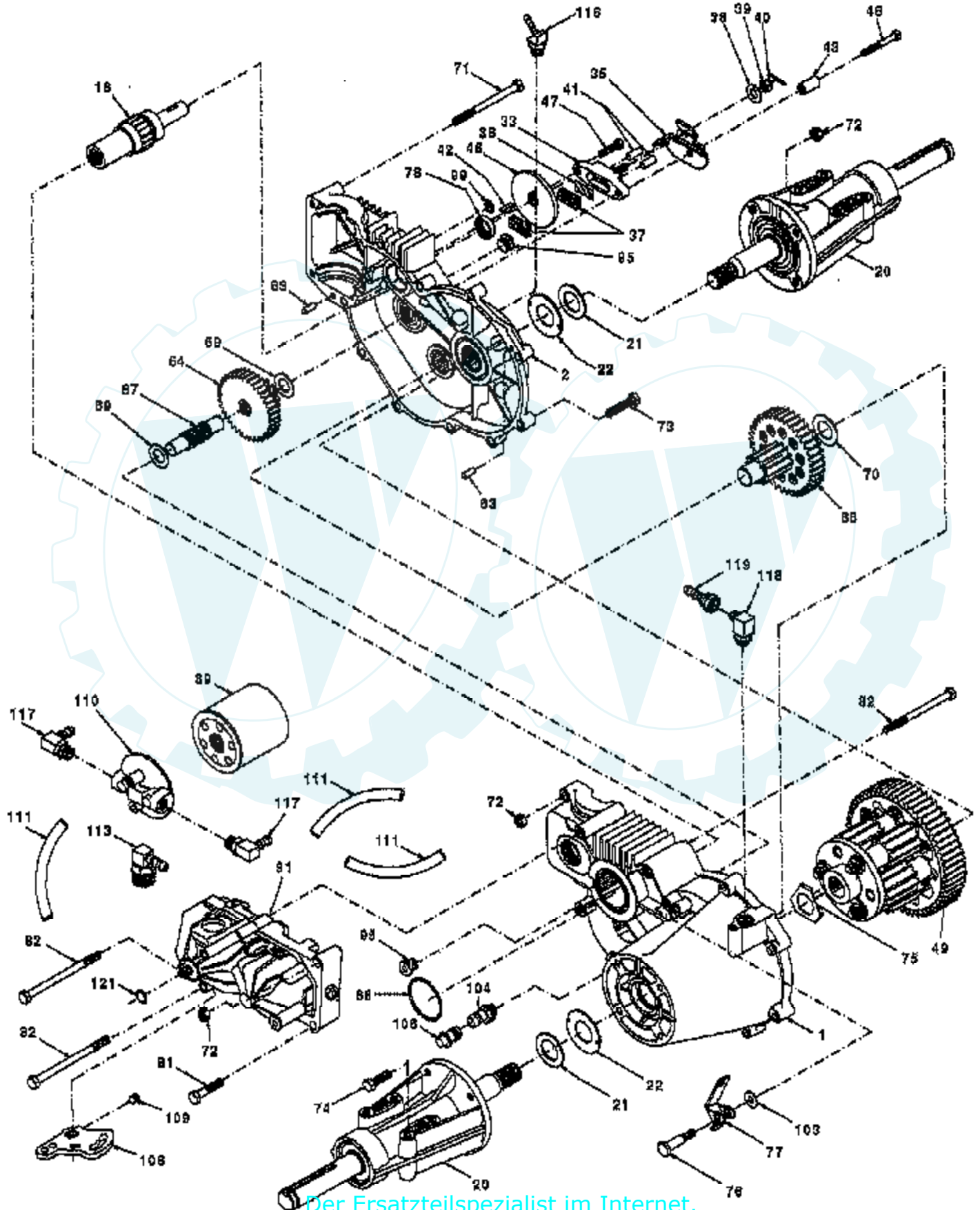


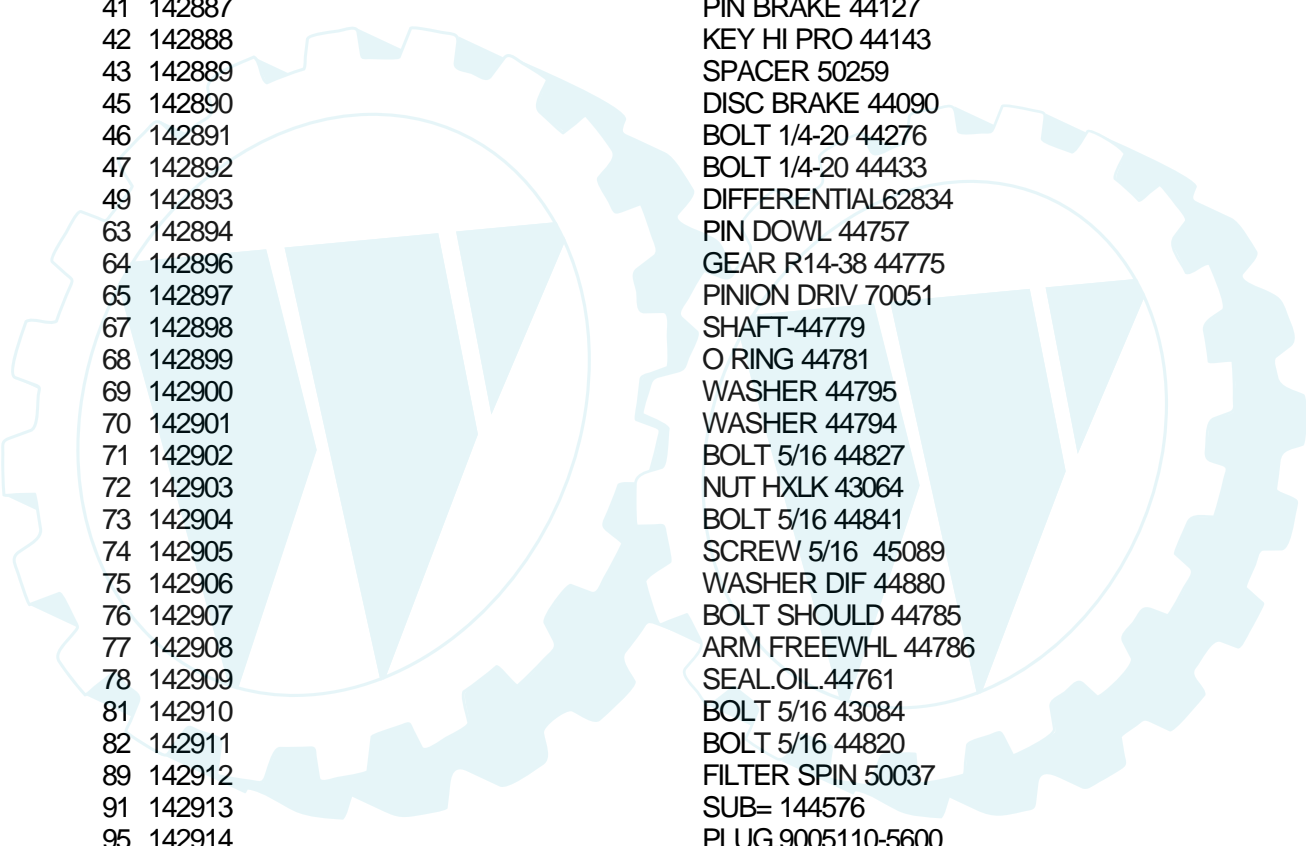


Ref #	Part Number	Qty	Description
1	121472X		SUB= 150546
2	137094		SUB= 532137094
3	6855M		ZERK M
4	161849		SPINDLE ASM LH
5	161848		SPINDLE ASM RH
6	6266H		WASHER .T
7	121748X		WASHER
8	12000029		RING
9	121232X		CAP
10	74781044		BOLT
11	136518		SPACER BEARING
12	73901000		"NUT-LOC,FLANGE LT"
13	121749X		WASHER
14	10040600		LOCKWASHER
15	7810H		GRIPCO NUT
16	145103		SHAFT.STEER.VGT
17	137347		ROD.ASM.TIE.BALL
18	137155		DRAGLINK.BALL.JOI
19	156011		SUPPORT ASM-STEER
21	100711L		ADAPTER LT
22	155105		"BUSHING,STEERING"
23	152927		"SCREW-TT,10-32 FL"
24	19133808		WASHER T
25	74780616		BOLT
26	126805X		"INSERT,STR WHEEL"
27	3366R		COL. SRTG. BEAR.
28	17490612		SCREW
29	104239X		"FLANGE GT, BEAR."
30	12000034		KLIP RING
31	138136		BUSHING.NYLINER.
32	19111610		WASHER
33	10040500		LOCKWASHER
34	74760512		BOLT
35	138059		GEAR.ASM.SECTOR.
36	137156		SUB= 137347
37	73360600		NUT
38	109850X		JOINT.RH
39	73700600		NUT
40	109851X		JOINT.LH
41	155246		"BRKT-SW, INTER"
42			CHECK WITH SUPPLIER

# TRACTOR - - MODEL NUMBER AYP8228B89

## TRANSAXLE

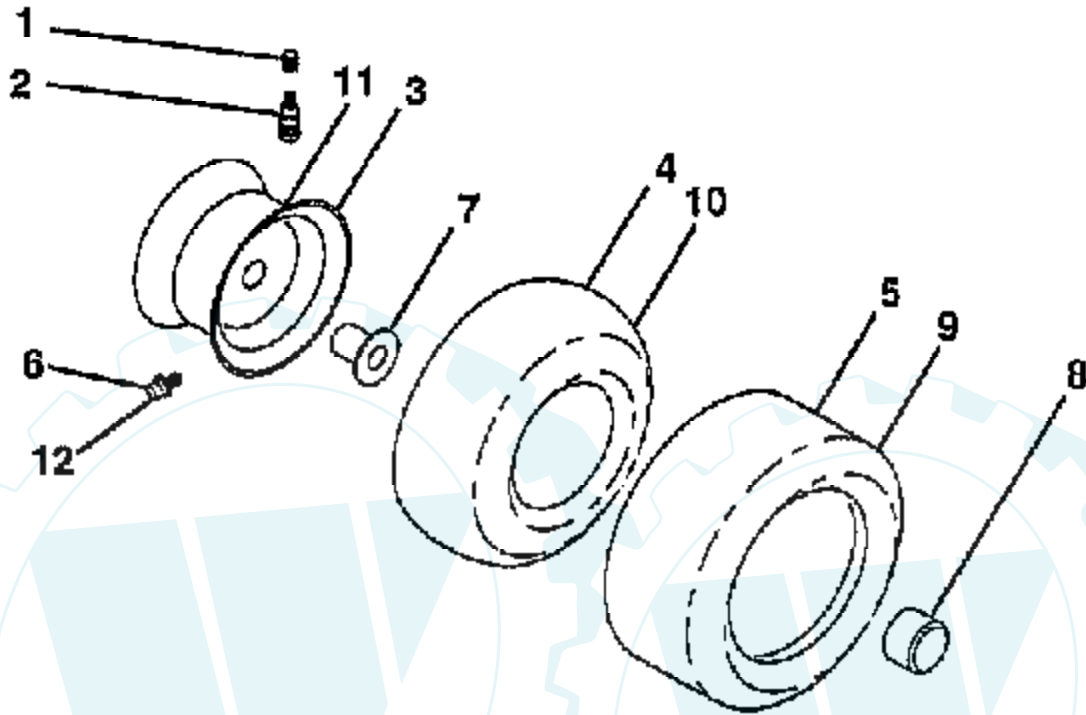




Ref #	Part Number	Qty	Description
1	142874		HOUSING LH 70086
2	142875		HOUSING RH 70088
16	142876		SHAFT BRAKE 62877
20	142877		AXLE MTG 70087
21	142878		WASHER 44805
22	142879		WASHER 44806
33	142929		YOKE.BRAKE.62589
35	142880		ARM BRAKE 50214
36	142882		PUCK PLATE 44134
37	142883		PUCK BRAKE 44132
38	142884		WASHER HYD 44130
39	142885		SUB= 144607
40	142886		SUB= 144608
41	142887		PIN BRAKE 44127
42	142888		KEY HI PRO 44143
43	142889		SPACER 50259
45	142890		DISC BRAKE 44090
46	142891		BOLT 1/4-20 44276
47	142892		BOLT 1/4-20 44433
49	142893		DIFFERENTIAL62834
63	142894		PIN DOWL 44757
64	142896		GEAR R14-38 44775
65	142897		PINION DRIV 70051
67	142898		SHAFT-44779
68	142899		O RING 44781
69	142900		WASHER 44795
70	142901		WASHER 44794
71	142902		BOLT 5/16 44827
72	142903		NUT HXLK 43064
73	142904		BOLT 5/16 44841
74	142905		SCREW 5/16 45089
75	142906		WASHER DIF 44880
76	142907		BOLT SHOULD 44785
77	142908		ARM FREEWHL 44786
78	142909		SEAL.OIL.44761
81	142910		BOLT 5/16 43084
82	142911		BOLT 5/16 44820
89	142912		FILTER SPIN 50037
91	142913		SUB= 144576
95	142914		PLUG.9005110-5600
99	142915		SUB= 142904
103	142916		WASHER.50169
104	142917		CAP.VENT.70109
106	142918		O-RING.ASM.70110
108	142919		ARM.CONTROL.45007
109	142920		SCREW.SET.50018.
110	142921		FILTER.HEAD.50207
111	142922		HOSE.5/16.50208.
113	142923		FITTING.SAE.50210
116	142924		FITTING.SAE.50213
117	142925		FITTING.SAE.50249
118	142926		FITTING.MAL.50251
119	142927		FITTING.FEM.50250
121	142928		RING.RET.2003016.

# TRACTOR - - MODEL NUMBER AYP8228B89

## WHEELS & TIRES



**NOTE:** All component dimensions given in U.S. inches  
1 inch = 25.4 mm

Ref #	Part Number	Qty	Description
1	59192		VALVE CAP
2	65139		VALVE STEM LT
3	106228X427		"RIM ASM 8"" FRT"
4	8134H		TUBE.16X6.5/7.5-8
5	106230X		SUB= 122075X
6	278H		FITTING LT
7	9040H		"FLANGE, BEARING"
8	104757X		HUB CAP
9	105588X		SUB= 122077X
10	7154J		TUBE.23X8/10-12
11	106277X427		"RIM ASM 12"" REAR"
12	6856M		ZERK FITTING M
	144334		SEALANT.TIRE 10 OZ. TUBE

