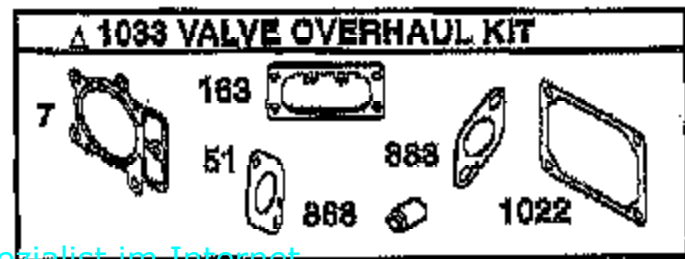
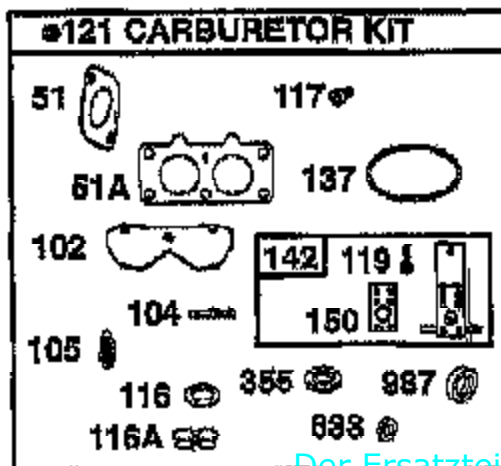
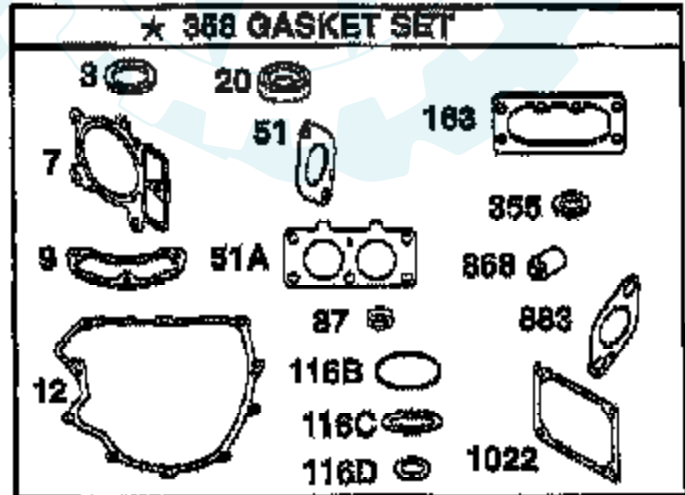
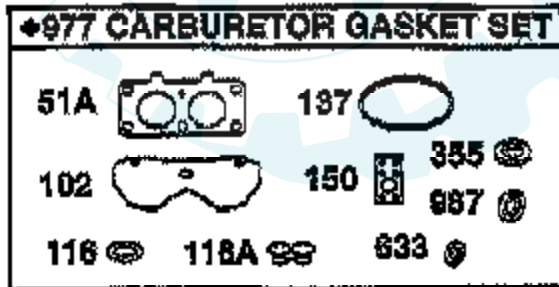
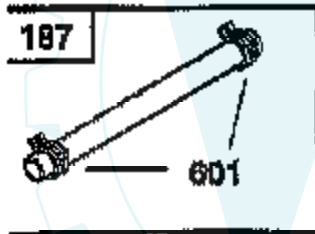
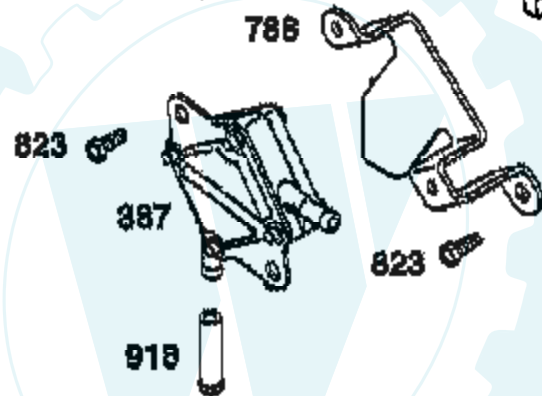
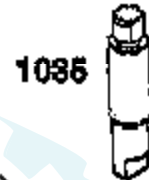
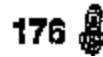
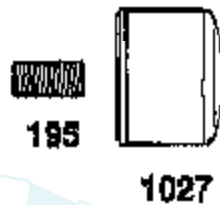
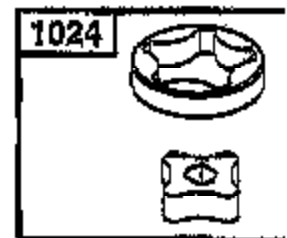
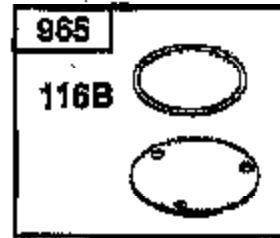
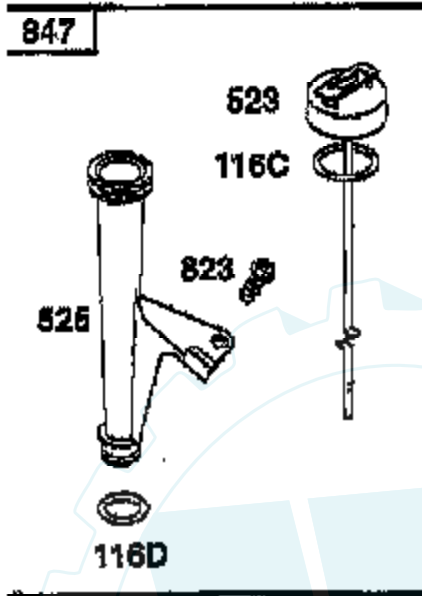


**TRACTOR - - MODEL NUMBER AYP8209A89**

**BRIGGS & STRATON - MODEL NUMBER 407777, TYPE NUMBER 0120-E1**



| Ref # | Part Number | Qty | Description                    |
|-------|-------------|-----|--------------------------------|
| 1     | 499584      |     | CYLINDER ASSY                  |
| 2     | 499585      |     | BUSHING CYLINDER               |
| 3     | 690926      |     | SEAL OIL                       |
| 4     | 690069      |     | SUMP ENGINE                    |
| 5     | 499587      |     | HEAD CYLINDER NO. 1            |
| 5A    | 499595      |     | HEAD CYLINDER NO. 2            |
| 6     | 690097      |     | WASHER FLAT                    |
| 7     | 690962      |     | GASKET, CYLINDER HEAD          |
| 8     | 499601      |     | BREATHER ASSY                  |
| 9     | 690937      |     | GASKET BREATHER                |
| 10    | 691003      |     | SCREW, HEX                     |
| 11    | 690942      |     | TUBE, BREATHER                 |
| 12    | 690945      |     | GASKET, CRANKCASE              |
| 13    | 690360      |     | SCREW, CYLINDER HEAD (3-9/16") |
| 15    | 690946      |     | PLUG, OIL DRAIN                |
| 16    | 691046      |     | CRANKSHAFT                     |
| 20    | 690947      |     | SEAL OIL                       |
| 22    | 690308      |     | SCREW, CRANKCASE COVER         |
| 23    | 691054      |     | FLYWHEEL                       |
| 24    | 690974      |     | KEY, FLYWHEEL                  |
| 25    | 499588      |     | PISTON ASSY (STD)              |
| 25    | 499589      |     | PISTON ASSY (.010" O.S.)       |
| 25    | 499590      |     | PISTON ASSY (.020" O.S.)       |
| 25    | 499591      |     | PISTON ASSY (.030" O.S.)       |
| 26    | 499604      |     | RING SET, PISTON (STD.)        |
| 26    | 499605      |     | RING SET, PISTON (.010" O.S.)  |
| 26    | 499606      |     | RING SET, PISTON (.020" O.S.)  |
| 26    | 499607      |     | RING SET, PISTON (.030" O.S.)  |
| 27    | 690975      |     | LOCK, PISTON PIN               |
| 28    | 499582      |     | PIN ASSY, PISTON               |
| 29    | 499583      |     | ROD ASSY, CONNECTING           |
| 32    | 690976      |     | SCREW, CONNECTING ROD          |
| 33    | 499596      |     | VALVE, EXHAUST                 |
| 34    | 499597      |     | VALVE, INTAKE                  |
| 35    | 690963      |     | SPRING, VALVE                  |
| 40    | 690964      |     | RETAINER, VALVE                |
| 42    | 499586      |     | KEEPER VALVE                   |
| 45    | 690977      |     | TAPPET, VALVE                  |
| 46    | 690978      |     | GEAR, CAM                      |
| 50    | 690948      |     | MANIFOLD, INTAKE               |
| 51    | 690949      |     | GASKET, CARB. MOUNTING         |
| 51A   | 690950      |     | GASKET, INTAKE MANIFOLD        |
| 53    | 690951      |     | STUD, CARB. MOUNTING           |
| 73    | 691055      |     | SCREEN, ROTATING               |
| 75    | 691056      |     | WASHER, SPRING                 |
| 78    | 691057      |     | SCREW, TORX                    |
| 87    | 690657      |     | SEAL, GOVERNOR SHAFT           |
| 89    | 690238      |     | PLUG, OIL                      |
| 95    | 690718      |     | SCREW, SLOTTED                 |
| 98    | 499802      |     | SCREW, IDLE SPEED              |
| 102   | 690234      |     | GASKET, PLATE                  |
| 104   | 690984      |     | PIN, FLOAT HINGE               |
| 105   | 690985      |     | VALVE, NEEDLE                  |
| 108   | 690986      |     | VALVE, CHOKE                   |
| 110   | 691261      |     | WASHER                         |
| 116   | 690987      |     | O-RING, SOLENOID RETAINER      |
| 116A  | 690988      |     | O-RING, FUEL TRANSFER TUBE     |
| 116B  | 690589      |     | SEAL, O-RING (OIL PUMP COVER)  |

| Ref # | Part Number | Qty | Description                    |
|-------|-------------|-----|--------------------------------|
| 116C  | 691031      |     | SEAL, O-RING (DIPSTICK)        |
| 116D  | 691032      |     | SEAL, O-RING (OIL FILTER TUBE) |
| 117   | 690232      |     | JET, MAIN (STANDARD)           |
| 119   | 690990      |     | SCREW, PHILLIPS                |
| 119A  | 690991      |     | SCREW, PHILLIPS                |
| 119B  | 690992      |     | SCREW, PHILLIPS                |
| 119C  | 690720      |     | SCREW, PHILLIPS                |
| 121   | 499811      |     | CARBURETOR OVERHAUL KIT        |
| 122   | 690952      |     | SPACER, CARBURETOR             |
| 125   | 499804      |     | CARBURETOR                     |
| 130   | 690993      |     | VALVE, THROTTLE                |
| 131   | 499805      |     | SHAFT, THROTTLE                |
| 133   | 499806      |     | FLOAT, CARBURETOR              |
| 135   | 499803      |     | TUBE, FUEL TRANSFER            |
| 137   | 690994      |     | GASKET, FLOAT BOWL             |
| 141   | 499807      |     | SHAFT CHOKE                    |
| 142   | 499808      |     | NOZZLE, CARBURETOR             |
| 146   | 94388       |     | TIMING GEAR KEY                |
| 150   | 281767      |     | GASKET, NOZZLE                 |
| 160   | 690996      |     | RETAINER, SOLENOID             |
| 163   | 691001      |     | GASKET, AIR CLEANER            |
| 176   | 691033      |     | SCREW, T-30                    |
| 187   | 691050      |     | LINE, FUEL                     |
| 187A  | 691049      |     | LINE, FUEL                     |
| 188   | 691058      |     | SCREW, HEX                     |
| 190   | 690953      |     | SCREW, TORX HEX                |
| 192   | 690083      |     | ADJUSTER, ROCKER ARM           |
| 195   | 690954      |     | NIPPLE                         |
| 209   | 690018      |     | SPRING, GOVERNOR               |
| 211   | 690019      |     | SPRING, GOVERNED IDLE          |
| 212   | 691020      |     | LINK, THROTTLE                 |
| 213   | 691021      |     | BRACKET, CHOKE CONTROL         |
| 216   | 691022      |     | LINK, CHOKE                    |
| 219   | 394348      |     | GEAR, GOVERNOR                 |
| 220   | 690412      |     | WASHER, THRUST                 |
| 222   | 691023      |     | PLATE, GOVERNOR CONTROL        |
| 227   | 691048      |     | LEVER ASSY, GOVERNOR           |
| 240   | 691035      |     | FILTER, FUEL                   |
| 252   | 690956      |     | ELEMENT, BREATHER              |
| 256   | 690957      |     | RETAINER, ELEMENT              |
| 258   | 691003      |     | SCREW, HEX                     |
| 265   | 691024      |     | CLAMP, CASING                  |
| 277   | 691029      |     | NUT, HEX                       |
| 304   | 691004      |     | HOUSING, BLOWER                |
| 305   | 691005      |     | SCREW, HEX                     |
| 309   | 691262      |     | MOTOR, STARTER                 |
| 310   | 691263      |     | SCREW, HEX                     |
| 311   | 691264      |     | BRUSH, SET                     |
| 332   | 690059      |     | NUT, FLYWHEEL                  |
| 333   | 691060      |     | ARMATURE, MAGNETO              |
| 334   | 691061      |     | SCREW, ARMATURE MOUNTING       |
| 337   | 690965      |     | SPARK PLUG                     |
| 351   | 691044      |     | SCREW, HEX                     |
| 355   | 690997      |     | WASHER, SEAL                   |
| 358   | 499889      |     | GASKET SET                     |
| 363   | 691062      |     | FLYWHEEL, PULLER               |
| 383   | 690966      |     | WRENCH, SPARK PLUG             |
| 387   | 691034      |     | PUMP, FUEL                     |

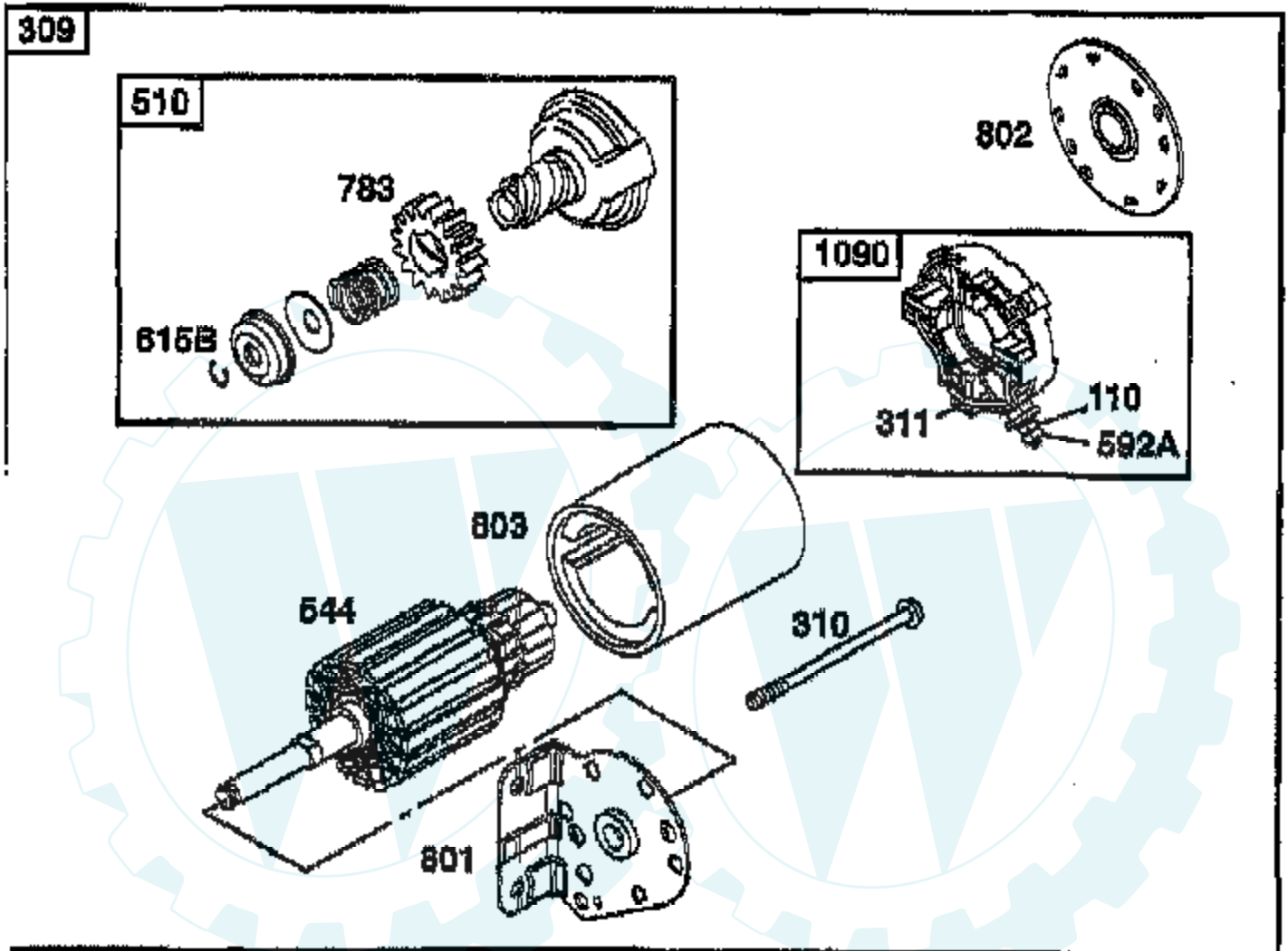
| Ref # | Part Number | Qty | Description              |
|-------|-------------|-----|--------------------------|
| 445   | 691007      |     | CARTRIDGE, AIR CLEANER   |
| 467   | 691008      |     | NUT, AIR CLEANER         |
| 474   | 691063      |     | ALTERNATOR               |
| 482   | 691183      |     | SCREW, HEX               |
| 510   | 497606      |     | DRIVE, STARTER           |
| 523   | 691036      |     | DIPSTICK, OIL            |
| 525   | 691037      |     | TUBE, OIL FILL           |
| 552   | 690552      |     | BUSHING, GOVERNOR CRANK  |
| 552A  | 690553      |     | BUSHING, GOVERNOR CRANK  |
| 556   | 690967      |     | SCREW, HEX               |
| 562   | 690311      |     | BOLT, CARRIAGE           |
| 573   | 691009      |     | PLATE, BLACK             |
| 592   | 690958      |     | NUT, HEX                 |
| 529A  | 691029      |     | NUT, HEX                 |
| 601   | 691038      |     | CLAMP, FUEL LINE         |
| 615   | 690328      |     | RETAINER, GOVERNOR       |
| 615A  | 690317      |     | RETAINER, GOVERNOR       |
| 615B  | 691265      |     | RETAINER                 |
| 616   | 691045      |     | CRANK, GOVERNOR          |
| 633   | 690998      |     | SEAL, CHOKE SHAFT        |
| 634   | 690442      |     | WASHER, FLAT             |
| 635   | 691210      |     | BOOT, SPARK PLUG         |
| 668   | 691215      |     | SPACER                   |
| 703   | 690010      |     | CLIP, HOSE               |
| 718   | 690959      |     | DOWEL, SLEEVE            |
| 726   | 499612      |     | GEAR, RING               |
| 728   | 690372      |     | SCREW, TORX              |
| 741   | 690980      |     | GEAR, TIMING             |
| 783   | 691280      |     | GEAR, STARTER            |
| 788   | 691039      |     | BRACKET, PUMP            |
| 789   | 691220      |     | HARNESS, WIRING          |
| 801   | 691283      |     | CAP, DRIVE               |
| 802   | 691286      |     | CAP, END                 |
| 823   | 690960      |     | SCREW, HEX               |
| 847   | 499602      |     | DIPSTICK/TUBE ASSY       |
| 851   | 691234      |     | TERMINAL, IGNITION CABLE |
| 855   | 691011      |     | ADAPTER, AIR             |
| 865   | 691012      |     | COVER, AIR GUIDE         |
| 865A  | 691013      |     | COVER, AIR GUIDE         |
| 865B  | 691015      |     | COVER, AIR GUIDE         |
| 868   | 690968      |     | SEAL, VALVE              |
| 871   | 690969      |     | BUSHING, GUIDE           |
| 878   | 691237      |     | WIRE, ALTERNATOR         |
| 881   | 690999      |     | PLATE, COVER             |
| 883   | 690970      |     | GASKET, EXHAUST          |
| 918   | 691040      |     | HOSE, VACUUM             |
| 947   | 499809      |     | SOLENOID, FUEL           |
| 965   | 499613      |     | COVER, OIL PUMP          |
| 967   | 691016      |     | FILTER, PRE-CLEANER      |
| 968   | 499788      |     | COVER, AIR CLEANER       |
| 975   | 499810      |     | BOWL, FLOAT              |
| 977   | 499812      |     | GASKET SET, CARBURETOR   |
| 987   | 691000      |     | SEAL, THROTTLE SHAFT     |
| 1005  | 691243      |     | FAN, FLYWHEEL            |
| 1006  | 691247      |     | RETAINER, FAN            |
| 1017  | 690770      |     | SCREEN, OIL PUMP         |
| 1019  | 690103      |     | LABEL KIT                |
| 1022  | 690971      |     | GASKET, ROCKER COVER     |

| Ref # | Part Number | Qty | Description               |
|-------|-------------|-----|---------------------------|
| 1023  | 499599      |     | COVER, ROCKER (CYL. NO.1) |
| 1023A | 499600      |     | COVER, ROCKER (CYL. NO.2) |
| 1024  | 499054      |     | PUMP, OIL                 |
| 1026  | 690981      |     | ROD, PUSH (STEEL)         |
| 1026A | 690982      |     | ROD, PUSH (ALUMINUM)      |
| 1027  | 690041      |     | FILTER, OIL               |
| 1029  | 690972      |     | ARM, ROCKER               |
| 1033  | 499890      |     | VALVE OVERHAUL KIT        |
| 1035  | 691042      |     | SHAFT, OIL PUMP           |
| 1036  | 499783      |     | LABEL KIT, EMISSION       |
| 1058  | 273694      |     | OWNER'S MANUAL            |
| 1090  | 691293      |     | RETAINER, BRUSH           |
| 1100  | 690973      |     | PIVOT, ROCKER ARM         |
| 2500  | 407777-0027 |     | ENGINE                    |



**TRACTOR - - MODEL NUMBER AYP8209A89**

**BRIGGS & STRATON - MODEL NUMBER 407777, TYPE NUMBER 0120-E1**



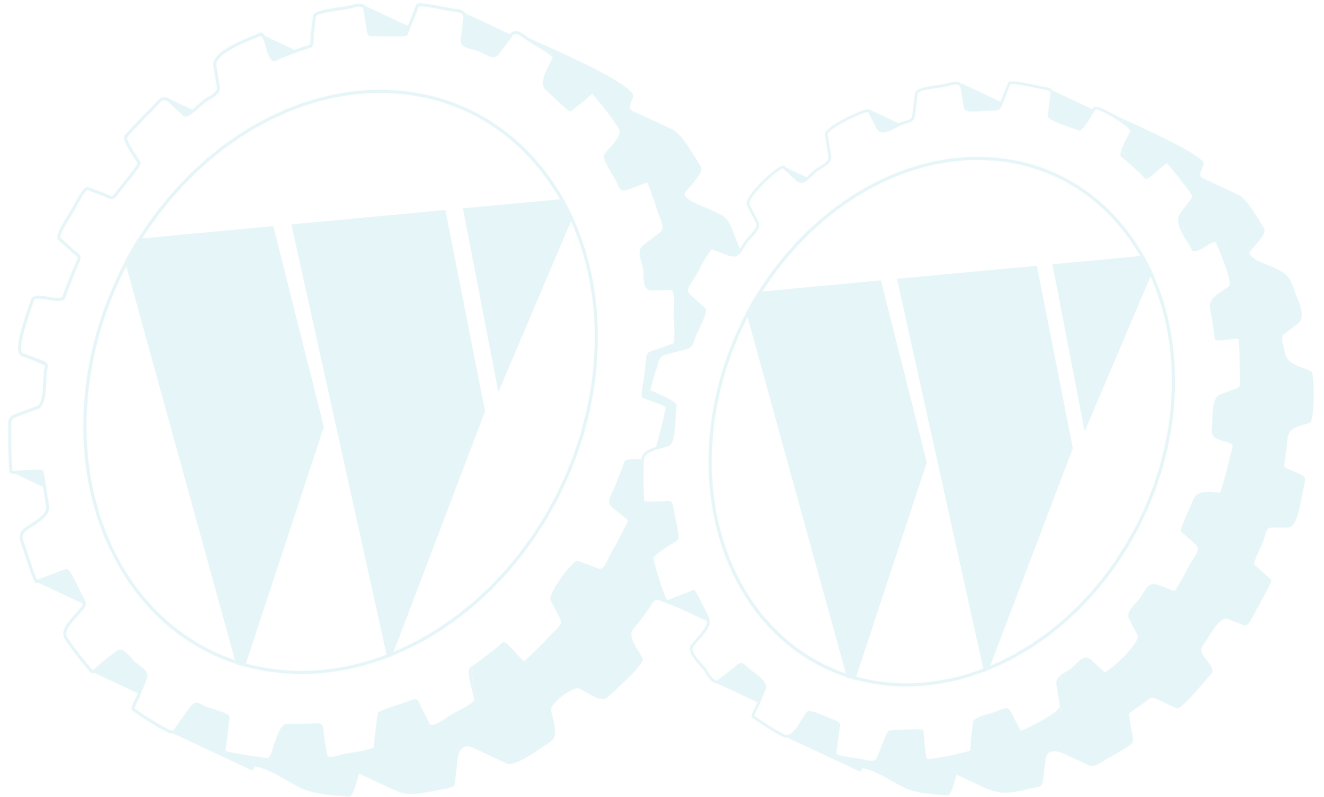
| Ref # | Part Number | Qty | Description                    |
|-------|-------------|-----|--------------------------------|
| 1     | 499584      |     | CYLINDER ASSY                  |
| 2     | 499585      |     | BUSHING CYLINDER               |
| 3     | 690926      |     | SEAL OIL                       |
| 4     | 690069      |     | SUMP ENGINE                    |
| 5     | 499587      |     | HEAD CYLINDER NO. 1            |
| 5A    | 499595      |     | HEAD CYLINDER NO. 2            |
| 6     | 690097      |     | WASHER FLAT                    |
| 7     | 690962      |     | GASKET, CYLINDER HEAD          |
| 8     | 499601      |     | BREATHER ASSY                  |
| 9     | 690937      |     | GASKET BREATHER                |
| 10    | 691003      |     | SCREW, HEX                     |
| 11    | 690942      |     | TUBE, BREATHER                 |
| 12    | 690945      |     | GASKET, CRANKCASE              |
| 13    | 690360      |     | SCREW, CYLINDER HEAD (3-9/16") |
| 15    | 690946      |     | PLUG, OIL DRAIN                |
| 16    | 691046      |     | CRANKSHAFT                     |
| 20    | 690947      |     | SEAL OIL                       |
| 22    | 690308      |     | SCREW, CRANKCASE COVER         |
| 23    | 691054      |     | FLYWHEEL                       |
| 24    | 690974      |     | KEY, FLYWHEEL                  |
| 25    | 499588      |     | PISTON ASSY (STD)              |
| 25    | 499589      |     | PISTON ASSY (.010" O.S.)       |
| 25    | 499590      |     | PISTON ASSY (.020" O.S.)       |
| 25    | 499591      |     | PISTON ASSY (.030" O.S.)       |
| 26    | 499604      |     | RING SET, PISTON (STD.)        |
| 26    | 499605      |     | RING SET, PISTON (.010" O.S.)  |
| 26    | 499606      |     | RING SET, PISTON (.020" O.S.)  |
| 26    | 499607      |     | RING SET, PISTON (.030" O.S.)  |
| 27    | 690975      |     | LOCK, PISTON PIN               |
| 28    | 499582      |     | PIN ASSY, PISTON               |
| 29    | 499583      |     | ROD ASSY, CONNECTING           |
| 32    | 690976      |     | SCREW, CONNECTING ROD          |
| 33    | 499596      |     | VALVE, EXHAUST                 |
| 34    | 499597      |     | VALVE, INTAKE                  |
| 35    | 690963      |     | SPRING, VALVE                  |
| 40    | 690964      |     | RETAINER, VALVE                |
| 42    | 499586      |     | KEEPER VALVE                   |
| 45    | 690977      |     | TAPPET, VALVE                  |
| 46    | 690978      |     | GEAR, CAM                      |
| 50    | 690948      |     | MANIFOLD, INTAKE               |
| 51    | 690949      |     | GASKET, CARB. MOUNTING         |
| 51A   | 690950      |     | GASKET, INTAKE MANIFOLD        |
| 53    | 690951      |     | STUD, CARB. MOUNTING           |
| 73    | 691055      |     | SCREEN, ROTATING               |
| 75    | 691056      |     | WASHER, SPRING                 |
| 78    | 691057      |     | SCREW, TORX                    |
| 87    | 690657      |     | SEAL, GOVERNOR SHAFT           |
| 89    | 690238      |     | PLUG, OIL                      |
| 95    | 690718      |     | SCREW, SLOTTED                 |
| 98    | 499802      |     | SCREW, IDLE SPEED              |
| 102   | 690234      |     | GASKET, PLATE                  |
| 104   | 690984      |     | PIN, FLOAT HINGE               |
| 105   | 690985      |     | VALVE, NEEDLE                  |
| 108   | 690986      |     | VALVE, CHOKE                   |
| 110   | 691261      |     | WASHER                         |
| 116   | 690987      |     | O-RING, SOLENOID RETAINER      |
| 116A  | 690988      |     | O-RING, FUEL TRANSFER TUBE     |
| 116B  | 690589      |     | SEAL, O-RING (OIL PUMP COVER)  |

| Ref # | Part Number | Qty | Description                    |
|-------|-------------|-----|--------------------------------|
| 116C  | 691031      |     | SEAL, O-RING (DIPSTICK)        |
| 116D  | 691032      |     | SEAL, O-RING (OIL FILTER TUBE) |
| 117   | 690232      |     | JET, MAIN (STANDARD)           |
| 119   | 690990      |     | SCREW, PHILLIPS                |
| 119A  | 690991      |     | SCREW, PHILLIPS                |
| 119B  | 690992      |     | SCREW, PHILLIPS                |
| 119C  | 690720      |     | SCREW, PHILLIPS                |
| 121   | 499811      |     | CARBURETOR OVERHAUL KIT        |
| 122   | 690952      |     | SPACER, CARBURETOR             |
| 125   | 499804      |     | CARBURETOR                     |
| 130   | 690993      |     | VALVE, THROTTLE                |
| 131   | 499805      |     | SHAFT, THROTTLE                |
| 133   | 499806      |     | FLOAT, CARBURETOR              |
| 135   | 499803      |     | TUBE, FUEL TRANSFER            |
| 137   | 690994      |     | GASKET, FLOAT BOWL             |
| 141   | 499807      |     | SHAFT CHOKE                    |
| 142   | 499808      |     | NOZZLE, CARBURETOR             |
| 146   | 94388       |     | TIMING GEAR KEY                |
| 150   | 281767      |     | GASKET, NOZZLE                 |
| 160   | 690996      |     | RETAINER, SOLENOID             |
| 163   | 691001      |     | GASKET, AIR CLEANER            |
| 176   | 691033      |     | SCREW, T-30                    |
| 187   | 691050      |     | LINE, FUEL                     |
| 187A  | 691049      |     | LINE, FUEL                     |
| 188   | 691058      |     | SCREW, HEX                     |
| 190   | 690953      |     | SCREW, TORX HEX                |
| 192   | 690083      |     | ADJUSTER, ROCKER ARM           |
| 195   | 690954      |     | NIPPLE                         |
| 209   | 690018      |     | SPRING, GOVERNOR               |
| 211   | 690019      |     | SPRING, GOVERNED IDLE          |
| 212   | 691020      |     | LINK, THROTTLE                 |
| 213   | 691021      |     | BRACKET, CHOKE CONTROL         |
| 216   | 691022      |     | LINK, CHOKE                    |
| 219   | 394348      |     | GEAR, GOVERNOR                 |
| 220   | 690412      |     | WASHER, THRUST                 |
| 222   | 691023      |     | PLATE, GOVERNOR CONTROL        |
| 227   | 691048      |     | LEVER ASSY, GOVERNOR           |
| 240   | 691035      |     | FILTER, FUEL                   |
| 252   | 690956      |     | ELEMENT, BREATHER              |
| 256   | 690957      |     | RETAINER, ELEMENT              |
| 258   | 691003      |     | SCREW, HEX                     |
| 265   | 691024      |     | CLAMP, CASING                  |
| 277   | 691029      |     | NUT, HEX                       |
| 304   | 691004      |     | HOUSING, BLOWER                |
| 305   | 691005      |     | SCREW, HEX                     |
| 309   | 691262      |     | MOTOR, STARTER                 |
| 310   | 691263      |     | SCREW, HEX                     |
| 311   | 691264      |     | BRUSH, SET                     |
| 332   | 690059      |     | NUT, FLYWHEEL                  |
| 333   | 691060      |     | ARMATURE, MAGNETO              |
| 334   | 691061      |     | SCREW, ARMATURE MOUNTING       |
| 337   | 690965      |     | SPARK PLUG                     |
| 351   | 691044      |     | SCREW, HEX                     |
| 355   | 690997      |     | WASHER, SEAL                   |
| 358   | 499889      |     | GASKET SET                     |
| 363   | 691062      |     | FLYWHEEL, PULLER               |
| 383   | 690966      |     | WRENCH, SPARK PLUG             |
| 387   | 691034      |     | PUMP, FUEL                     |



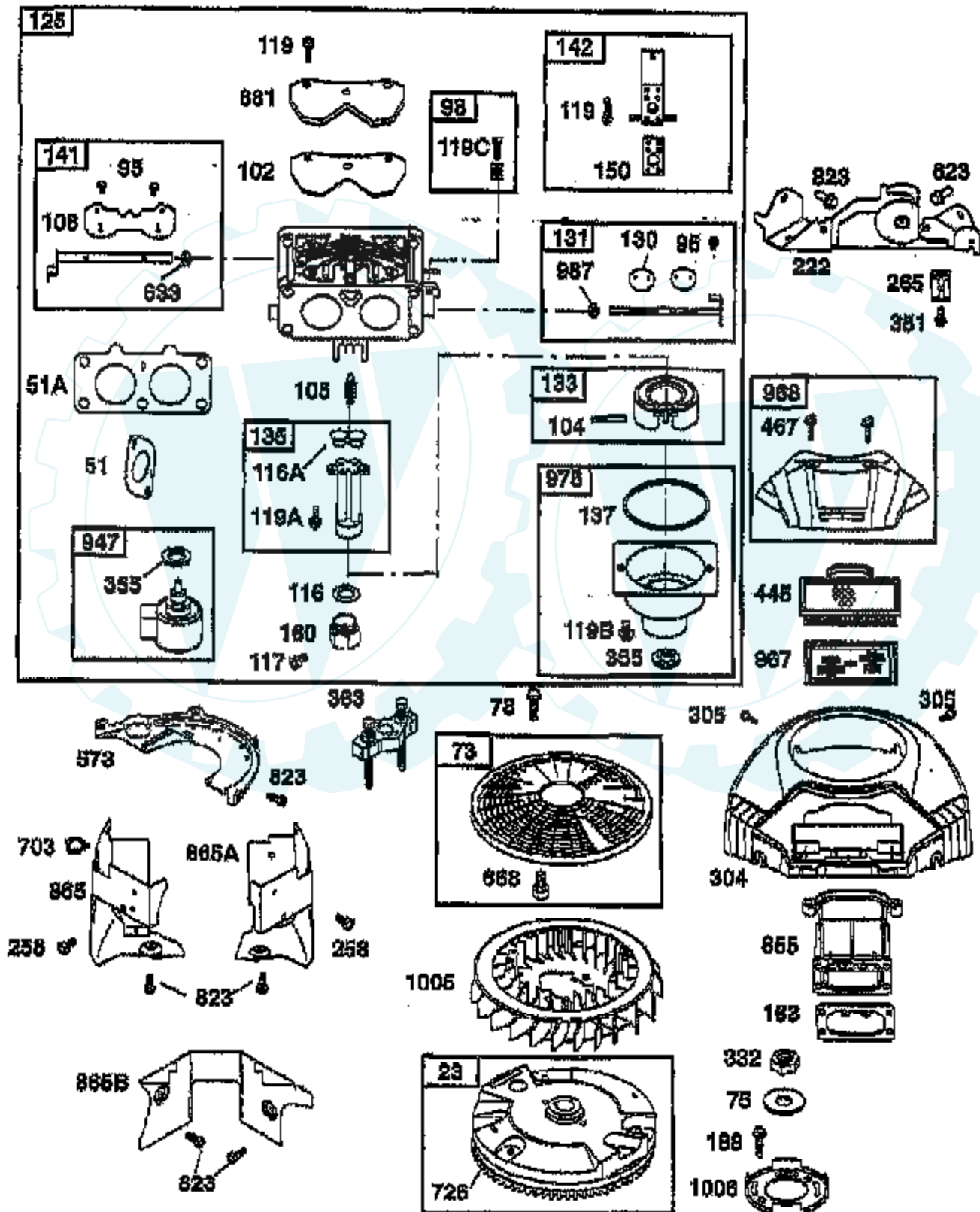
| Ref # | Part Number | Qty | Description              |
|-------|-------------|-----|--------------------------|
| 445   | 691007      |     | CARTRIDGE, AIR CLEANER   |
| 467   | 691008      |     | NUT, AIR CLEANER         |
| 474   | 691063      |     | ALTERNATOR               |
| 482   | 691183      |     | SCREW, HEX               |
| 510   | 497606      |     | DRIVE, STARTER           |
| 523   | 691036      |     | DIPSTICK, OIL            |
| 525   | 691037      |     | TUBE, OIL FILL           |
| 552   | 690552      |     | BUSHING, GOVERNOR CRANK  |
| 552A  | 690553      |     | BUSHING, GOVERNOR CRANK  |
| 556   | 690967      |     | SCREW, HEX               |
| 562   | 690311      |     | BOLT, CARRIAGE           |
| 573   | 691009      |     | PLATE, BLACK             |
| 592   | 690958      |     | NUT, HEX                 |
| 529A  | 691029      |     | NUT, HEX                 |
| 601   | 691038      |     | CLAMP, FUEL LINE         |
| 615   | 690328      |     | RETAINER, GOVERNOR       |
| 615A  | 690317      |     | RETAINER, GOVERNOR       |
| 615B  | 691265      |     | RETAINER                 |
| 616   | 691045      |     | CRANK, GOVERNOR          |
| 633   | 690998      |     | SEAL, CHOKE SHAFT        |
| 634   | 690442      |     | WASHER, FLAT             |
| 635   | 691210      |     | BOOT, SPARK PLUG         |
| 668   | 691215      |     | SPACER                   |
| 703   | 690010      |     | CLIP, HOSE               |
| 718   | 690959      |     | DOWEL, SLEEVE            |
| 726   | 499612      |     | GEAR, RING               |
| 728   | 690372      |     | SCREW, TORX              |
| 741   | 690980      |     | GEAR, TIMING             |
| 783   | 691280      |     | GEAR, STARTER            |
| 788   | 691039      |     | BRACKET, PUMP            |
| 789   | 691220      |     | HARNESS, WIRING          |
| 801   | 691283      |     | CAP, DRIVE               |
| 802   | 691286      |     | CAP, END                 |
| 823   | 690960      |     | SCREW, HEX               |
| 847   | 499602      |     | DIPSTICK/TUBE ASSY       |
| 851   | 691234      |     | TERMINAL, IGNITION CABLE |
| 855   | 691011      |     | ADAPTER, AIR             |
| 865   | 691012      |     | COVER, AIR GUIDE         |
| 865A  | 691013      |     | COVER, AIR GUIDE         |
| 865B  | 691015      |     | COVER, AIR GUIDE         |
| 868   | 690968      |     | SEAL, VALVE              |
| 871   | 690969      |     | BUSHING, GUIDE           |
| 878   | 691237      |     | WIRE, ALTERNATOR         |
| 881   | 690999      |     | PLATE, COVER             |
| 883   | 690970      |     | GASKET, EXHAUST          |
| 918   | 691040      |     | HOSE, VACUUM             |
| 947   | 499809      |     | SOLENOID, FUEL           |
| 965   | 499613      |     | COVER, OIL PUMP          |
| 967   | 691016      |     | FILTER, PRE-CLEANER      |
| 968   | 499788      |     | COVER, AIR CLEANER       |
| 975   | 499810      |     | BOWL, FLOAT              |
| 977   | 499812      |     | GASKET SET, CARBURETOR   |
| 987   | 691000      |     | SEAL, THROTTLE SHAFT     |
| 1005  | 691243      |     | FAN, FLYWHEEL            |
| 1006  | 691247      |     | RETAINER, FAN            |
| 1017  | 690770      |     | SCREEN, OIL PUMP         |
| 1019  | 690103      |     | LABEL KIT                |
| 1022  | 690971      |     | GASKET, ROCKER COVER     |

| Ref # | Part Number | Qty | Description               |
|-------|-------------|-----|---------------------------|
| 1023  | 499599      |     | COVER, ROCKER (CYL. NO.1) |
| 1023A | 499600      |     | COVER, ROCKER (CYL. NO.2) |
| 1024  | 499054      |     | PUMP, OIL                 |
| 1026  | 690981      |     | ROD, PUSH (STEEL)         |
| 1026A | 690982      |     | ROD, PUSH (ALUMINUM)      |
| 1027  | 690041      |     | FILTER, OIL               |
| 1029  | 690972      |     | ARM, ROCKER               |
| 1033  | 499890      |     | VALVE OVERHAUL KIT        |
| 1035  | 691042      |     | SHAFT, OIL PUMP           |
| 1036  | 499783      |     | LABEL KIT, EMISSION       |
| 1058  | 273694      |     | OWNER'S MANUAL            |
| 1090  | 691293      |     | RETAINER, BRUSH           |
| 1100  | 690973      |     | PIVOT, ROCKER ARM         |
| 2500  | 407777-0027 |     | ENGINE                    |



### TRACTOR - - MODEL NUMBER AYP8209A89

BRIGGS & STRATON - MODEL NUMBER 407777, TYPE NUMBER 0120-E1

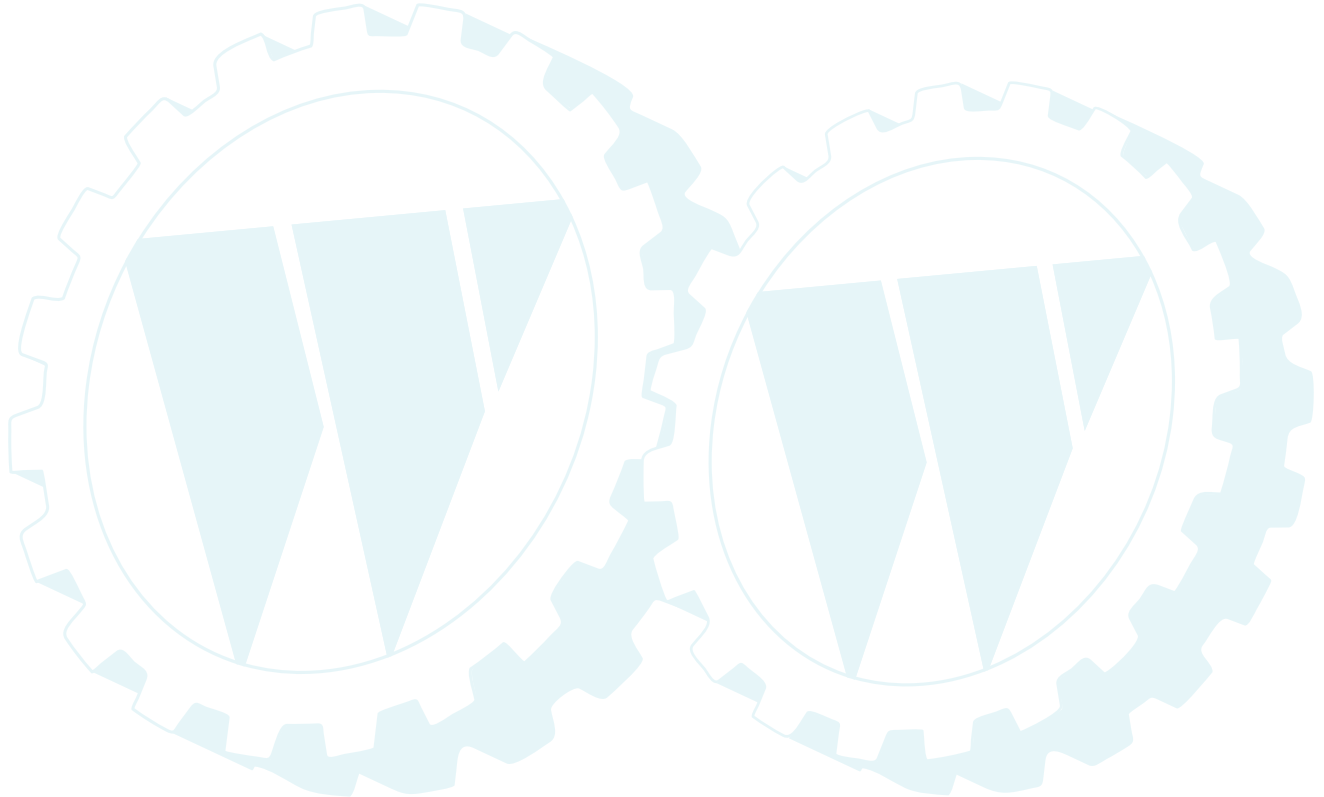


| Ref # | Part Number | Qty | Description                    |
|-------|-------------|-----|--------------------------------|
| 1     | 499584      |     | CYLINDER ASSY                  |
| 2     | 499585      |     | BUSHING CYLINDER               |
| 3     | 690926      |     | SEAL OIL                       |
| 4     | 690069      |     | SUMP ENGINE                    |
| 5     | 499587      |     | HEAD CYLINDER NO. 1            |
| 5A    | 499595      |     | HEAD CYLINDER NO. 2            |
| 6     | 690097      |     | WASHER FLAT                    |
| 7     | 690962      |     | GASKET, CYLINDER HEAD          |
| 8     | 499601      |     | BREATHER ASSY                  |
| 9     | 690937      |     | GASKET BREATHER                |
| 10    | 691003      |     | SCREW, HEX                     |
| 11    | 690942      |     | TUBE, BREATHER                 |
| 12    | 690945      |     | GASKET, CRANKCASE              |
| 13    | 690360      |     | SCREW, CYLINDER HEAD (3-9/16") |
| 15    | 690946      |     | PLUG, OIL DRAIN                |
| 16    | 691046      |     | CRANKSHAFT                     |
| 20    | 690947      |     | SEAL OIL                       |
| 22    | 690308      |     | SCREW, CRANKCASE COVER         |
| 23    | 691054      |     | FLYWHEEL                       |
| 24    | 690974      |     | KEY, FLYWHEEL                  |
| 25    | 499588      |     | PISTON ASSY (STD)              |
| 25    | 499589      |     | PISTON ASSY (.010" O.S.)       |
| 25    | 499590      |     | PISTON ASSY (.020" O.S.)       |
| 25    | 499591      |     | PISTON ASSY (.030" O.S.)       |
| 26    | 499604      |     | RING SET, PISTON (STD.)        |
| 26    | 499605      |     | RING SET, PISTON (.010" O.S.)  |
| 26    | 499606      |     | RING SET, PISTON (.020" O.S.)  |
| 26    | 499607      |     | RING SET, PISTON (.030" O.S.)  |
| 27    | 690975      |     | LOCK, PISTON PIN               |
| 28    | 499582      |     | PIN ASSY, PISTON               |
| 29    | 499583      |     | ROD ASSY, CONNECTING           |
| 32    | 690976      |     | SCREW, CONNECTING ROD          |
| 33    | 499596      |     | VALVE, EXHAUST                 |
| 34    | 499597      |     | VALVE, INTAKE                  |
| 35    | 690963      |     | SPRING, VALVE                  |
| 40    | 690964      |     | RETAINER, VALVE                |
| 42    | 499586      |     | KEEPER VALVE                   |
| 45    | 690977      |     | TAPPET, VALVE                  |
| 46    | 690978      |     | GEAR, CAM                      |
| 50    | 690948      |     | MANIFOLD, INTAKE               |
| 51    | 690949      |     | GASKET, CARB. MOUNTING         |
| 51A   | 690950      |     | GASKET, INTAKE MANIFOLD        |
| 53    | 690951      |     | STUD, CARB. MOUNTING           |
| 73    | 691055      |     | SCREEN, ROTATING               |
| 75    | 691056      |     | WASHER, SPRING                 |
| 78    | 691057      |     | SCREW, TORX                    |
| 87    | 690657      |     | SEAL, GOVERNOR SHAFT           |
| 89    | 690238      |     | PLUG, OIL                      |
| 95    | 690718      |     | SCREW, SLOTTED                 |
| 98    | 499802      |     | SCREW, IDLE SPEED              |
| 102   | 690234      |     | GASKET, PLATE                  |
| 104   | 690984      |     | PIN, FLOAT HINGE               |
| 105   | 690985      |     | VALVE, NEEDLE                  |
| 108   | 690986      |     | VALVE, CHOKE                   |
| 110   | 691261      |     | WASHER                         |
| 116   | 690987      |     | O-RING, SOLENOID RETAINER      |
| 116A  | 690988      |     | O-RING, FUEL TRANSFER TUBE     |
| 116B  | 690589      |     | SEAL, O-RING (OIL PUMP COVER)  |

| Ref # | Part Number | Qty | Description                    |
|-------|-------------|-----|--------------------------------|
| 116C  | 691031      |     | SEAL, O-RING (DIPSTICK)        |
| 116D  | 691032      |     | SEAL, O-RING (OIL FILTER TUBE) |
| 117   | 690232      |     | JET, MAIN (STANDARD)           |
| 119   | 690990      |     | SCREW, PHILLIPS                |
| 119A  | 690991      |     | SCREW, PHILLIPS                |
| 119B  | 690992      |     | SCREW, PHILLIPS                |
| 119C  | 690720      |     | SCREW, PHILLIPS                |
| 121   | 499811      |     | CARBURETOR OVERHAUL KIT        |
| 122   | 690952      |     | SPACER, CARBURETOR             |
| 125   | 499804      |     | CARBURETOR                     |
| 130   | 690993      |     | VALVE, THROTTLE                |
| 131   | 499805      |     | SHAFT, THROTTLE                |
| 133   | 499806      |     | FLOAT, CARBURETOR              |
| 135   | 499803      |     | TUBE, FUEL TRANSFER            |
| 137   | 690994      |     | GASKET, FLOAT BOWL             |
| 141   | 499807      |     | SHAFT CHOKE                    |
| 142   | 499808      |     | NOZZLE, CARBURETOR             |
| 146   | 94388       |     | TIMING GEAR KEY                |
| 150   | 281767      |     | GASKET, NOZZLE                 |
| 160   | 690996      |     | RETAINER, SOLENOID             |
| 163   | 691001      |     | GASKET, AIR CLEANER            |
| 176   | 691033      |     | SCREW, T-30                    |
| 187   | 691050      |     | LINE, FUEL                     |
| 187A  | 691049      |     | LINE, FUEL                     |
| 188   | 691058      |     | SCREW, HEX                     |
| 190   | 690953      |     | SCREW, TORX HEX                |
| 192   | 690083      |     | ADJUSTER, ROCKER ARM           |
| 195   | 690954      |     | NIPPLE                         |
| 209   | 690018      |     | SPRING, GOVERNOR               |
| 211   | 690019      |     | SPRING, GOVERNED IDLE          |
| 212   | 691020      |     | LINK, THROTTLE                 |
| 213   | 691021      |     | BRACKET, CHOKE CONTROL         |
| 216   | 691022      |     | LINK, CHOKE                    |
| 219   | 394348      |     | GEAR, GOVERNOR                 |
| 220   | 690412      |     | WASHER, THRUST                 |
| 222   | 691023      |     | PLATE, GOVERNOR CONTROL        |
| 227   | 691048      |     | LEVER ASSY, GOVERNOR           |
| 240   | 691035      |     | FILTER, FUEL                   |
| 252   | 690956      |     | ELEMENT, BREATHER              |
| 256   | 690957      |     | RETAINER, ELEMENT              |
| 258   | 691003      |     | SCREW, HEX                     |
| 265   | 691024      |     | CLAMP, CASING                  |
| 277   | 691029      |     | NUT, HEX                       |
| 304   | 691004      |     | HOUSING, BLOWER                |
| 305   | 691005      |     | SCREW, HEX                     |
| 309   | 691262      |     | MOTOR, STARTER                 |
| 310   | 691263      |     | SCREW, HEX                     |
| 311   | 691264      |     | BRUSH, SET                     |
| 332   | 690059      |     | NUT, FLYWHEEL                  |
| 333   | 691060      |     | ARMATURE, MAGNETO              |
| 334   | 691061      |     | SCREW, ARMATURE MOUNTING       |
| 337   | 690965      |     | SPARK PLUG                     |
| 351   | 691044      |     | SCREW, HEX                     |
| 355   | 690997      |     | WASHER, SEAL                   |
| 358   | 499889      |     | GASKET SET                     |
| 363   | 691062      |     | FLYWHEEL, PULLER               |
| 383   | 690966      |     | WRENCH, SPARK PLUG             |
| 387   | 691034      |     | PUMP, FUEL                     |

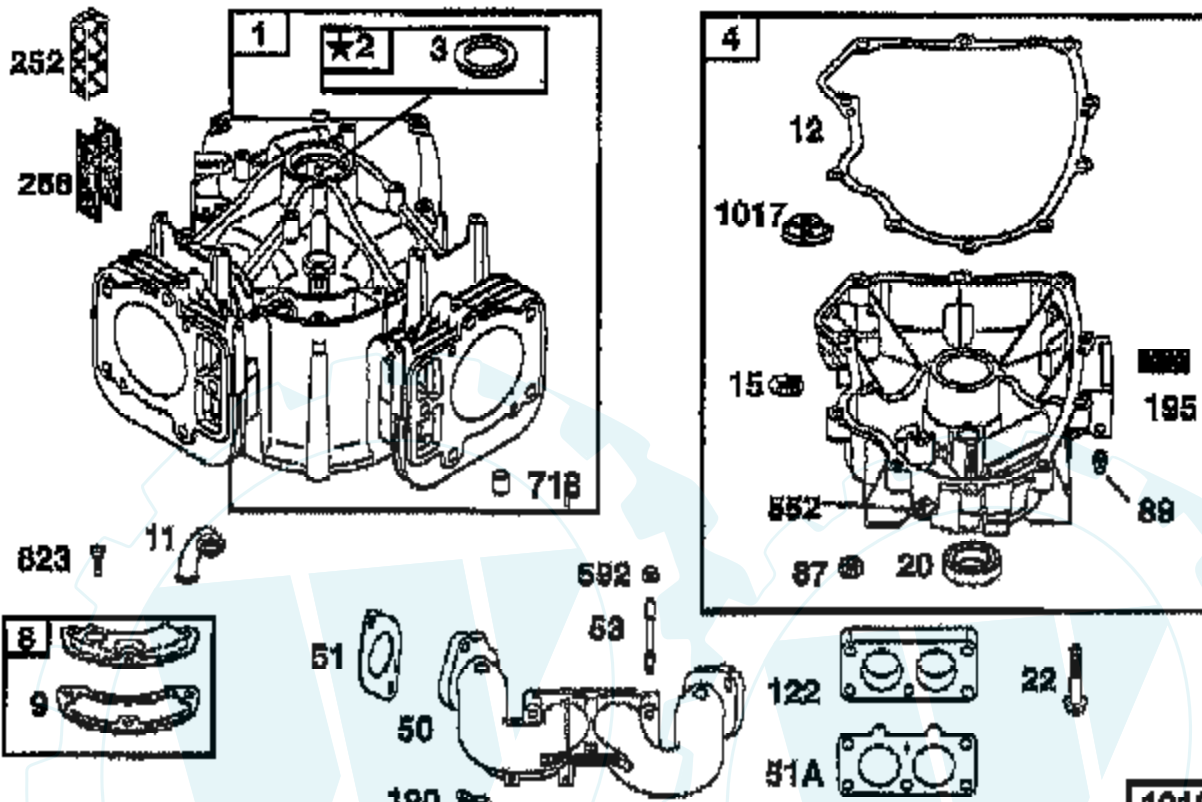
| Ref # | Part Number | Qty | Description              |
|-------|-------------|-----|--------------------------|
| 445   | 691007      |     | CARTRIDGE, AIR CLEANER   |
| 467   | 691008      |     | NUT, AIR CLEANER         |
| 474   | 691063      |     | ALTERNATOR               |
| 482   | 691183      |     | SCREW, HEX               |
| 510   | 497606      |     | DRIVE, STARTER           |
| 523   | 691036      |     | DIPSTICK, OIL            |
| 525   | 691037      |     | TUBE, OIL FILL           |
| 552   | 690552      |     | BUSHING, GOVERNOR CRANK  |
| 552A  | 690553      |     | BUSHING, GOVERNOR CRANK  |
| 556   | 690967      |     | SCREW, HEX               |
| 562   | 690311      |     | BOLT, CARRIAGE           |
| 573   | 691009      |     | PLATE, BLACK             |
| 592   | 690958      |     | NUT, HEX                 |
| 529A  | 691029      |     | NUT, HEX                 |
| 601   | 691038      |     | CLAMP, FUEL LINE         |
| 615   | 690328      |     | RETAINER, GOVERNOR       |
| 615A  | 690317      |     | RETAINER, GOVERNOR       |
| 615B  | 691265      |     | RETAINER                 |
| 616   | 691045      |     | CRANK, GOVERNOR          |
| 633   | 690998      |     | SEAL, CHOKE SHAFT        |
| 634   | 690442      |     | WASHER, FLAT             |
| 635   | 691210      |     | BOOT, SPARK PLUG         |
| 668   | 691215      |     | SPACER                   |
| 703   | 690010      |     | CLIP, HOSE               |
| 718   | 690959      |     | DOWEL, SLEEVE            |
| 726   | 499612      |     | GEAR, RING               |
| 728   | 690372      |     | SCREW, TORX              |
| 741   | 690980      |     | GEAR, TIMING             |
| 783   | 691280      |     | GEAR, STARTER            |
| 788   | 691039      |     | BRACKET, PUMP            |
| 789   | 691220      |     | HARNESS, WIRING          |
| 801   | 691283      |     | CAP, DRIVE               |
| 802   | 691286      |     | CAP, END                 |
| 823   | 690960      |     | SCREW, HEX               |
| 847   | 499602      |     | DIPSTICK/TUBE ASSY       |
| 851   | 691234      |     | TERMINAL, IGNITION CABLE |
| 855   | 691011      |     | ADAPTER, AIR             |
| 865   | 691012      |     | COVER, AIR GUIDE         |
| 865A  | 691013      |     | COVER, AIR GUIDE         |
| 865B  | 691015      |     | COVER, AIR GUIDE         |
| 868   | 690968      |     | SEAL, VALVE              |
| 871   | 690969      |     | BUSHING, GUIDE           |
| 878   | 691237      |     | WIRE, ALTERNATOR         |
| 881   | 690999      |     | PLATE, COVER             |
| 883   | 690970      |     | GASKET, EXHAUST          |
| 918   | 691040      |     | HOSE, VACUUM             |
| 947   | 499809      |     | SOLENOID, FUEL           |
| 965   | 499613      |     | COVER, OIL PUMP          |
| 967   | 691016      |     | FILTER, PRE-CLEANER      |
| 968   | 499788      |     | COVER, AIR CLEANER       |
| 975   | 499810      |     | BOWL, FLOAT              |
| 977   | 499812      |     | GASKET SET, CARBURETOR   |
| 987   | 691000      |     | SEAL, THROTTLE SHAFT     |
| 1005  | 691243      |     | FAN, FLYWHEEL            |
| 1006  | 691247      |     | RETAINER, FAN            |
| 1017  | 690770      |     | SCREEN, OIL PUMP         |
| 1019  | 690103      |     | LABEL KIT                |
| 1022  | 690971      |     | GASKET, ROCKER COVER     |

| Ref # | Part Number | Qty | Description               |
|-------|-------------|-----|---------------------------|
| 1023  | 499599      |     | COVER, ROCKER (CYL. NO.1) |
| 1023A | 499600      |     | COVER, ROCKER (CYL. NO.2) |
| 1024  | 499054      |     | PUMP, OIL                 |
| 1026  | 690981      |     | ROD, PUSH (STEEL)         |
| 1026A | 690982      |     | ROD, PUSH (ALUMINUM)      |
| 1027  | 690041      |     | FILTER, OIL               |
| 1029  | 690972      |     | ARM, ROCKER               |
| 1033  | 499890      |     | VALVE OVERHAUL KIT        |
| 1035  | 691042      |     | SHAFT, OIL PUMP           |
| 1036  | 499783      |     | LABEL KIT, EMISSION       |
| 1058  | 273694      |     | OWNER'S MANUAL            |
| 1090  | 691293      |     | RETAINER, BRUSH           |
| 1100  | 690973      |     | PIVOT, ROCKER ARM         |
| 2500  | 407777-0027 |     | ENGINE                    |



# TRACTOR - - MODEL NUMBER AYP8209A89

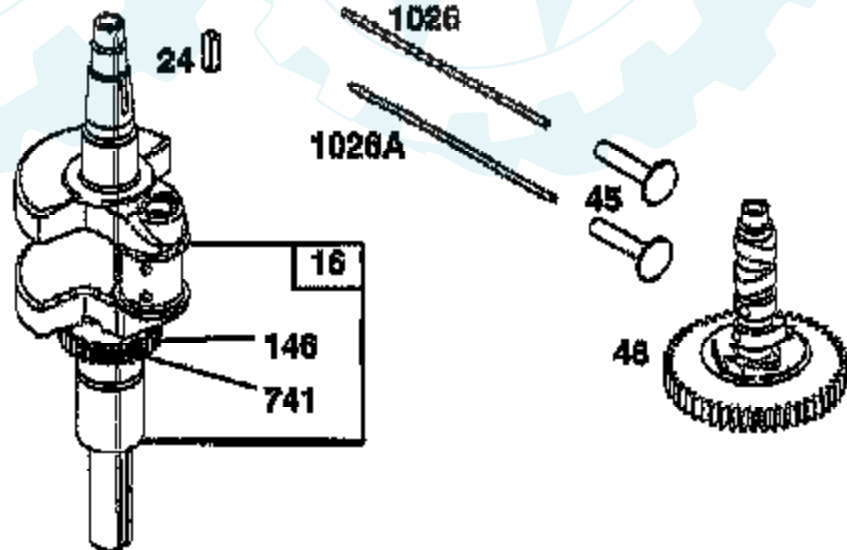
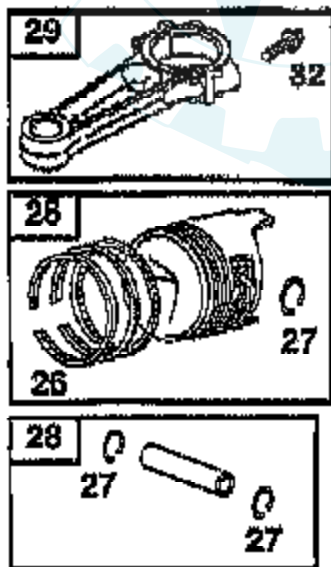
BRIGGS & STRATTON - MODEL NUMBER 407777, TYPE NUMBER 0120-E1



\* REQUIRES SPECIAL TOOLS  
TO INSTALL. SEE REPAIR  
INSTRUCTION MANUAL.

1036 LABEL KIT-EMISSION

1019 LABEL KIT  
1058 OWNER'S MANUAL





| Ref # | Part Number | Qty | Description                    |
|-------|-------------|-----|--------------------------------|
| 1     | 499584      |     | CYLINDER ASSY                  |
| 2     | 499585      |     | BUSHING CYLINDER               |
| 3     | 690926      |     | SEAL OIL                       |
| 4     | 690069      |     | SUMP ENGINE                    |
| 5     | 499587      |     | HEAD CYLINDER NO. 1            |
| 5A    | 499595      |     | HEAD CYLINDER NO. 2            |
| 6     | 690097      |     | WASHER FLAT                    |
| 7     | 690962      |     | GASKET, CYLINDER HEAD          |
| 8     | 499601      |     | BREATHER ASSY                  |
| 9     | 690937      |     | GASKET BREATHER                |
| 10    | 691003      |     | SCREW, HEX                     |
| 11    | 690942      |     | TUBE, BREATHER                 |
| 12    | 690945      |     | GASKET, CRANKCASE              |
| 13    | 690360      |     | SCREW, CYLINDER HEAD (3-9/16") |
| 15    | 690946      |     | PLUG, OIL DRAIN                |
| 16    | 691046      |     | CRANKSHAFT                     |
| 20    | 690947      |     | SEAL OIL                       |
| 22    | 690308      |     | SCREW, CRANKCASE COVER         |
| 23    | 691054      |     | FLYWHEEL                       |
| 24    | 690974      |     | KEY, FLYWHEEL                  |
| 25    | 499588      |     | PISTON ASSY (STD)              |
| 25    | 499589      |     | PISTON ASSY (.010" O.S.)       |
| 25    | 499590      |     | PISTON ASSY (.020" O.S.)       |
| 25    | 499591      |     | PISTON ASSY (.030" O.S.)       |
| 26    | 499604      |     | RING SET, PISTON (STD.)        |
| 26    | 499605      |     | RING SET, PISTON (.010" O.S.)  |
| 26    | 499606      |     | RING SET, PISTON (.020" O.S.)  |
| 26    | 499607      |     | RING SET, PISTON (.030" O.S.)  |
| 27    | 690975      |     | LOCK, PISTON PIN               |
| 28    | 499582      |     | PIN ASSY, PISTON               |
| 29    | 499583      |     | ROD ASSY, CONNECTING           |
| 32    | 690976      |     | SCREW, CONNECTING ROD          |
| 33    | 499596      |     | VALVE, EXHAUST                 |
| 34    | 499597      |     | VALVE, INTAKE                  |
| 35    | 690963      |     | SPRING, VALVE                  |
| 40    | 690964      |     | RETAINER, VALVE                |
| 42    | 499586      |     | KEEPER VALVE                   |
| 45    | 690977      |     | TAPPET, VALVE                  |
| 46    | 690978      |     | GEAR, CAM                      |
| 50    | 690948      |     | MANIFOLD, INTAKE               |
| 51    | 690949      |     | GASKET, CARB. MOUNTING         |
| 51A   | 690950      |     | GASKET, INTAKE MANIFOLD        |
| 53    | 690951      |     | STUD, CARB. MOUNTING           |
| 73    | 691055      |     | SCREEN, ROTATING               |
| 75    | 691056      |     | WASHER, SPRING                 |
| 78    | 691057      |     | SCREW, TORX                    |
| 87    | 690657      |     | SEAL, GOVERNOR SHAFT           |
| 89    | 690238      |     | PLUG, OIL                      |
| 95    | 690718      |     | SCREW, SLOTTED                 |
| 98    | 499802      |     | SCREW, IDLE SPEED              |
| 102   | 690234      |     | GASKET, PLATE                  |
| 104   | 690984      |     | PIN, FLOAT HINGE               |
| 105   | 690985      |     | VALVE, NEEDLE                  |
| 108   | 690986      |     | VALVE, CHOKE                   |
| 110   | 691261      |     | WASHER                         |
| 116   | 690987      |     | O-RING, SOLENOID RETAINER      |
| 116A  | 690988      |     | O-RING, FUEL TRANSFER TUBE     |
| 116B  | 690589      |     | SEAL, O-RING (OIL PUMP COVER)  |

| Ref # | Part Number | Qty | Description                    |
|-------|-------------|-----|--------------------------------|
| 116C  | 691031      |     | SEAL, O-RING (DIPSTICK)        |
| 116D  | 691032      |     | SEAL, O-RING (OIL FILTER TUBE) |
| 117   | 690232      |     | JET, MAIN (STANDARD)           |
| 119   | 690990      |     | SCREW, PHILLIPS                |
| 119A  | 690991      |     | SCREW, PHILLIPS                |
| 119B  | 690992      |     | SCREW, PHILLIPS                |
| 119C  | 690720      |     | SCREW, PHILLIPS                |
| 121   | 499811      |     | CARBURETOR OVERHAUL KIT        |
| 122   | 690952      |     | SPACER, CARBURETOR             |
| 125   | 499804      |     | CARBURETOR                     |
| 130   | 690993      |     | VALVE, THROTTLE                |
| 131   | 499805      |     | SHAFT, THROTTLE                |
| 133   | 499806      |     | FLOAT, CARBURETOR              |
| 135   | 499803      |     | TUBE, FUEL TRANSFER            |
| 137   | 690994      |     | GASKET, FLOAT BOWL             |
| 141   | 499807      |     | SHAFT CHOKE                    |
| 142   | 499808      |     | NOZZLE, CARBURETOR             |
| 146   | 94388       |     | TIMING GEAR KEY                |
| 150   | 281767      |     | GASKET, NOZZLE                 |
| 160   | 690996      |     | RETAINER, SOLENOID             |
| 163   | 691001      |     | GASKET, AIR CLEANER            |
| 176   | 691033      |     | SCREW, T-30                    |
| 187   | 691050      |     | LINE, FUEL                     |
| 187A  | 691049      |     | LINE, FUEL                     |
| 188   | 691058      |     | SCREW, HEX                     |
| 190   | 690953      |     | SCREW, TORX HEX                |
| 192   | 690083      |     | ADJUSTER, ROCKER ARM           |
| 195   | 690954      |     | NIPPLE                         |
| 209   | 690018      |     | SPRING, GOVERNOR               |
| 211   | 690019      |     | SPRING, GOVERNED IDLE          |
| 212   | 691020      |     | LINK, THROTTLE                 |
| 213   | 691021      |     | BRACKET, CHOKE CONTROL         |
| 216   | 691022      |     | LINK, CHOKE                    |
| 219   | 394348      |     | GEAR, GOVERNOR                 |
| 220   | 690412      |     | WASHER, THRUST                 |
| 222   | 691023      |     | PLATE, GOVERNOR CONTROL        |
| 227   | 691048      |     | LEVER ASSY, GOVERNOR           |
| 240   | 691035      |     | FILTER, FUEL                   |
| 252   | 690956      |     | ELEMENT, BREATHER              |
| 256   | 690957      |     | RETAINER, ELEMENT              |
| 258   | 691003      |     | SCREW, HEX                     |
| 265   | 691024      |     | CLAMP, CASING                  |
| 277   | 691029      |     | NUT, HEX                       |
| 304   | 691004      |     | HOUSING, BLOWER                |
| 305   | 691005      |     | SCREW, HEX                     |
| 309   | 691262      |     | MOTOR, STARTER                 |
| 310   | 691263      |     | SCREW, HEX                     |
| 311   | 691264      |     | BRUSH, SET                     |
| 332   | 690059      |     | NUT, FLYWHEEL                  |
| 333   | 691060      |     | ARMATURE, MAGNETO              |
| 334   | 691061      |     | SCREW, ARMATURE MOUNTING       |
| 337   | 690965      |     | SPARK PLUG                     |
| 351   | 691044      |     | SCREW, HEX                     |
| 355   | 690997      |     | WASHER, SEAL                   |
| 358   | 499889      |     | GASKET SET                     |
| 363   | 691062      |     | FLYWHEEL, PULLER               |
| 383   | 690966      |     | WRENCH, SPARK PLUG             |
| 387   | 691034      |     | PUMP, FUEL                     |

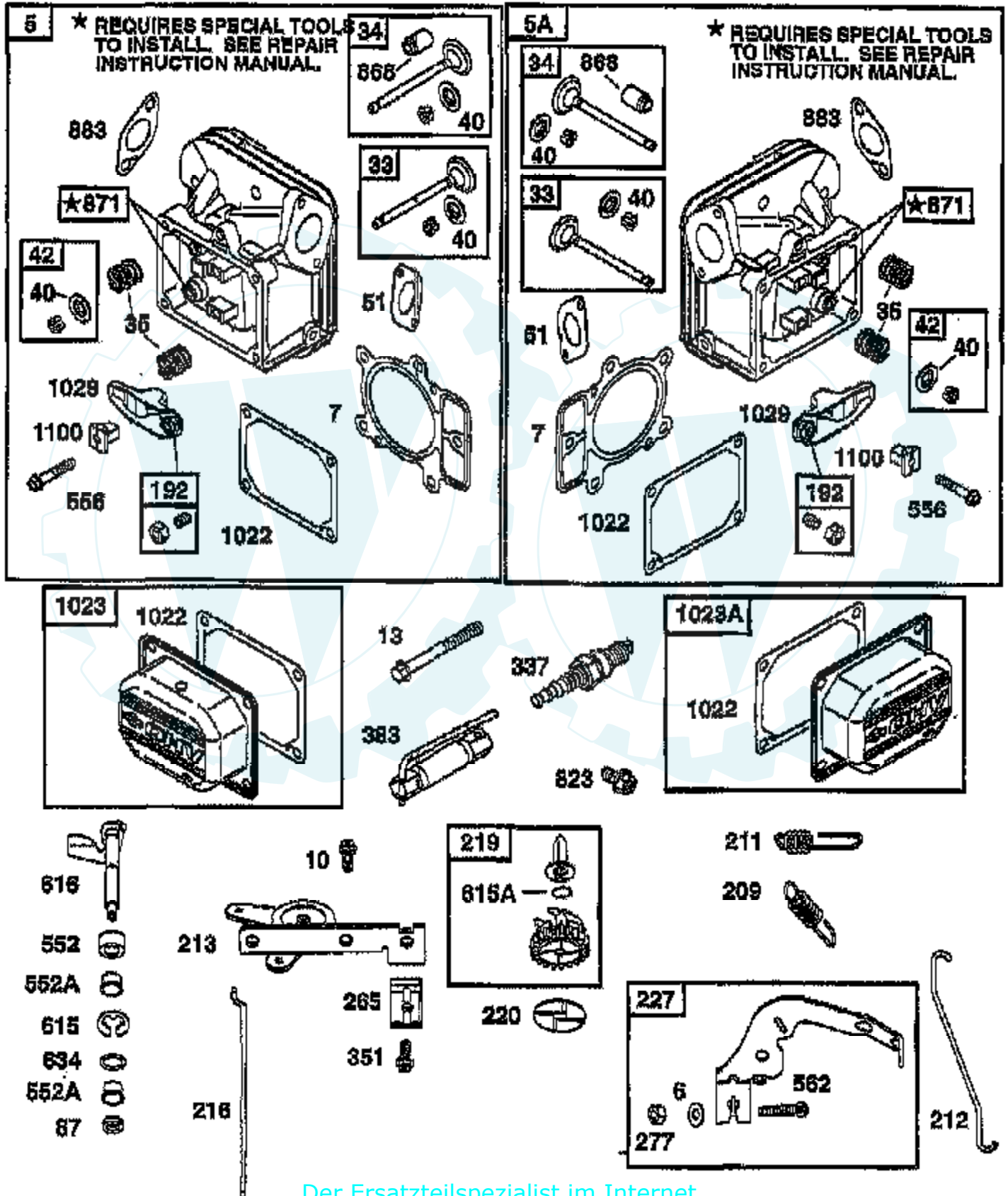
| Ref # | Part Number | Qty | Description              |
|-------|-------------|-----|--------------------------|
| 445   | 691007      |     | CARTRIDGE, AIR CLEANER   |
| 467   | 691008      |     | NUT, AIR CLEANER         |
| 474   | 691063      |     | ALTERNATOR               |
| 482   | 691183      |     | SCREW, HEX               |
| 510   | 497606      |     | DRIVE, STARTER           |
| 523   | 691036      |     | DIPSTICK, OIL            |
| 525   | 691037      |     | TUBE, OIL FILL           |
| 552   | 690552      |     | BUSHING, GOVERNOR CRANK  |
| 552A  | 690553      |     | BUSHING, GOVERNOR CRANK  |
| 556   | 690967      |     | SCREW, HEX               |
| 562   | 690311      |     | BOLT, CARRIAGE           |
| 573   | 691009      |     | PLATE, BLACK             |
| 592   | 690958      |     | NUT, HEX                 |
| 529A  | 691029      |     | NUT, HEX                 |
| 601   | 691038      |     | CLAMP, FUEL LINE         |
| 615   | 690328      |     | RETAINER, GOVERNOR       |
| 615A  | 690317      |     | RETAINER, GOVERNOR       |
| 615B  | 691265      |     | RETAINER                 |
| 616   | 691045      |     | CRANK, GOVERNOR          |
| 633   | 690998      |     | SEAL, CHOKE SHAFT        |
| 634   | 690442      |     | WASHER, FLAT             |
| 635   | 691210      |     | BOOT, SPARK PLUG         |
| 668   | 691215      |     | SPACER                   |
| 703   | 690010      |     | CLIP, HOSE               |
| 718   | 690959      |     | DOWEL, SLEEVE            |
| 726   | 499612      |     | GEAR, RING               |
| 728   | 690372      |     | SCREW, TORX              |
| 741   | 690980      |     | GEAR, TIMING             |
| 783   | 691280      |     | GEAR, STARTER            |
| 788   | 691039      |     | BRACKET, PUMP            |
| 789   | 691220      |     | HARNESS, WIRING          |
| 801   | 691283      |     | CAP, DRIVE               |
| 802   | 691286      |     | CAP, END                 |
| 823   | 690960      |     | SCREW, HEX               |
| 847   | 499602      |     | DIPSTICK/TUBE ASSY       |
| 851   | 691234      |     | TERMINAL, IGNITION CABLE |
| 855   | 691011      |     | ADAPTER, AIR             |
| 865   | 691012      |     | COVER, AIR GUIDE         |
| 865A  | 691013      |     | COVER, AIR GUIDE         |
| 865B  | 691015      |     | COVER, AIR GUIDE         |
| 868   | 690968      |     | SEAL, VALVE              |
| 871   | 690969      |     | BUSHING, GUIDE           |
| 878   | 691237      |     | WIRE, ALTERNATOR         |
| 881   | 690999      |     | PLATE, COVER             |
| 883   | 690970      |     | GASKET, EXHAUST          |
| 918   | 691040      |     | HOSE, VACUUM             |
| 947   | 499809      |     | SOLENOID, FUEL           |
| 965   | 499613      |     | COVER, OIL PUMP          |
| 967   | 691016      |     | FILTER, PRE-CLEANER      |
| 968   | 499788      |     | COVER, AIR CLEANER       |
| 975   | 499810      |     | BOWL, FLOAT              |
| 977   | 499812      |     | GASKET SET, CARBURETOR   |
| 987   | 691000      |     | SEAL, THROTTLE SHAFT     |
| 1005  | 691243      |     | FAN, FLYWHEEL            |
| 1006  | 691247      |     | RETAINER, FAN            |
| 1017  | 690770      |     | SCREEN, OIL PUMP         |
| 1019  | 690103      |     | LABEL KIT                |
| 1022  | 690971      |     | GASKET, ROCKER COVER     |

| Ref # | Part Number | Qty | Description               |
|-------|-------------|-----|---------------------------|
| 1023  | 499599      |     | COVER, ROCKER (CYL. NO.1) |
| 1023A | 499600      |     | COVER, ROCKER (CYL. NO.2) |
| 1024  | 499054      |     | PUMP, OIL                 |
| 1026  | 690981      |     | ROD, PUSH (STEEL)         |
| 1026A | 690982      |     | ROD, PUSH (ALUMINUM)      |
| 1027  | 690041      |     | FILTER, OIL               |
| 1029  | 690972      |     | ARM, ROCKER               |
| 1033  | 499890      |     | VALVE OVERHAUL KIT        |
| 1035  | 691042      |     | SHAFT, OIL PUMP           |
| 1036  | 499783      |     | LABEL KIT, EMISSION       |
| 1058  | 273694      |     | OWNER'S MANUAL            |
| 1090  | 691293      |     | RETAINER, BRUSH           |
| 1100  | 690973      |     | PIVOT, ROCKER ARM         |
| 2500  | 407777-0027 |     | ENGINE                    |



## TRACTOR - - MODEL NUMBER AYP8209A89

BRIGGS & STRATON - MODEL NUMBER 407777, TYPE NUMBER 0120-E1



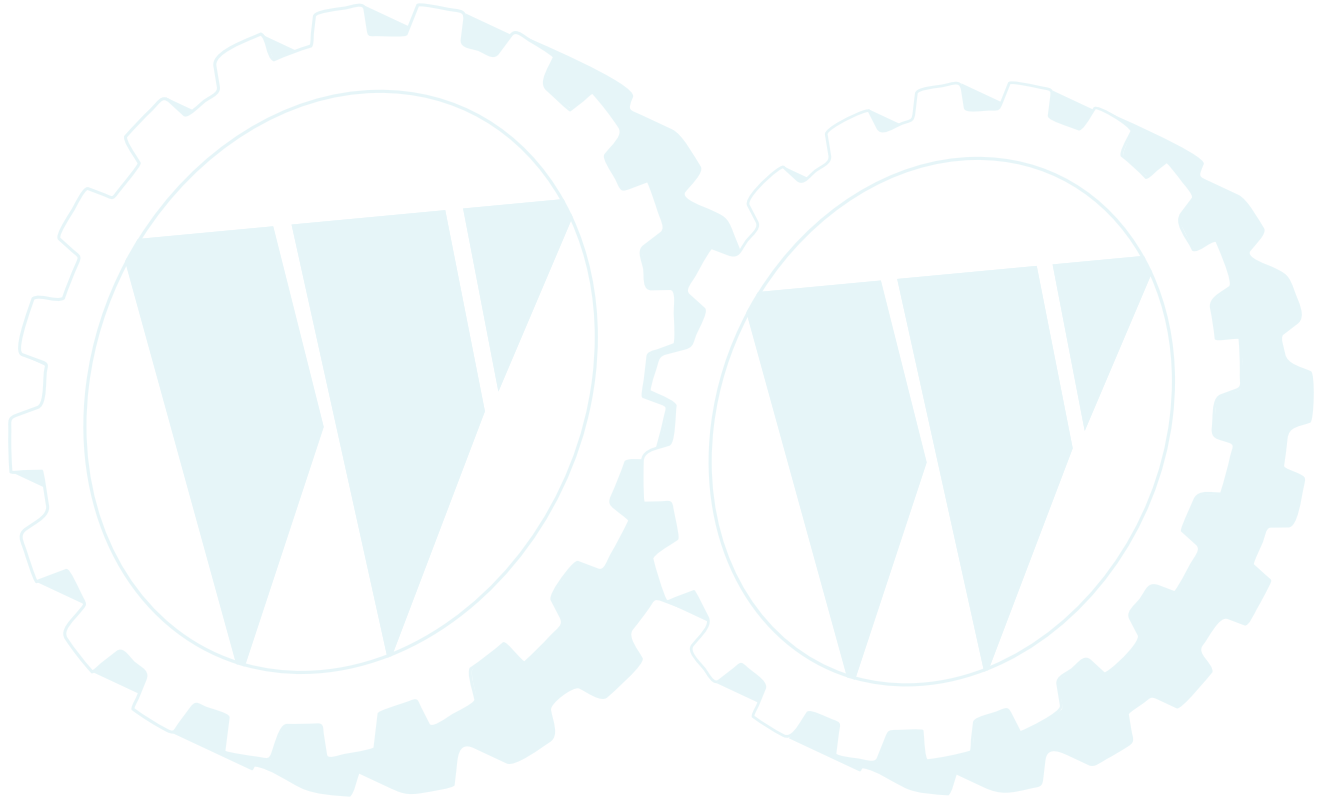
| Ref # | Part Number | Qty | Description                    |
|-------|-------------|-----|--------------------------------|
| 1     | 499584      |     | CYLINDER ASSY                  |
| 2     | 499585      |     | BUSHING CYLINDER               |
| 3     | 690926      |     | SEAL OIL                       |
| 4     | 690069      |     | SUMP ENGINE                    |
| 5     | 499587      |     | HEAD CYLINDER NO. 1            |
| 5A    | 499595      |     | HEAD CYLINDER NO. 2            |
| 6     | 690097      |     | WASHER FLAT                    |
| 7     | 690962      |     | GASKET, CYLINDER HEAD          |
| 8     | 499601      |     | BREATHER ASSY                  |
| 9     | 690937      |     | GASKET BREATHER                |
| 10    | 691003      |     | SCREW, HEX                     |
| 11    | 690942      |     | TUBE, BREATHER                 |
| 12    | 690945      |     | GASKET, CRANKCASE              |
| 13    | 690360      |     | SCREW, CYLINDER HEAD (3-9/16") |
| 15    | 690946      |     | PLUG, OIL DRAIN                |
| 16    | 691046      |     | CRANKSHAFT                     |
| 20    | 690947      |     | SEAL OIL                       |
| 22    | 690308      |     | SCREW, CRANKCASE COVER         |
| 23    | 691054      |     | FLYWHEEL                       |
| 24    | 690974      |     | KEY, FLYWHEEL                  |
| 25    | 499588      |     | PISTON ASSY (STD)              |
| 25    | 499589      |     | PISTON ASSY (.010" O.S.)       |
| 25    | 499590      |     | PISTON ASSY (.020" O.S.)       |
| 25    | 499591      |     | PISTON ASSY (.030" O.S.)       |
| 26    | 499604      |     | RING SET, PISTON (STD.)        |
| 26    | 499605      |     | RING SET, PISTON (.010" O.S.)  |
| 26    | 499606      |     | RING SET, PISTON (.020" O.S.)  |
| 26    | 499607      |     | RING SET, PISTON (.030" O.S.)  |
| 27    | 690975      |     | LOCK, PISTON PIN               |
| 28    | 499582      |     | PIN ASSY, PISTON               |
| 29    | 499583      |     | ROD ASSY, CONNECTING           |
| 32    | 690976      |     | SCREW, CONNECTING ROD          |
| 33    | 499596      |     | VALVE, EXHAUST                 |
| 34    | 499597      |     | VALVE, INTAKE                  |
| 35    | 690963      |     | SPRING, VALVE                  |
| 40    | 690964      |     | RETAINER, VALVE                |
| 42    | 499586      |     | KEEPER VALVE                   |
| 45    | 690977      |     | TAPPET, VALVE                  |
| 46    | 690978      |     | GEAR, CAM                      |
| 50    | 690948      |     | MANIFOLD, INTAKE               |
| 51    | 690949      |     | GASKET, CARB. MOUNTING         |
| 51A   | 690950      |     | GASKET, INTAKE MANIFOLD        |
| 53    | 690951      |     | STUD, CARB. MOUNTING           |
| 73    | 691055      |     | SCREEN, ROTATING               |
| 75    | 691056      |     | WASHER, SPRING                 |
| 78    | 691057      |     | SCREW, TORX                    |
| 87    | 690657      |     | SEAL, GOVERNOR SHAFT           |
| 89    | 690238      |     | PLUG, OIL                      |
| 95    | 690718      |     | SCREW, SLOTTED                 |
| 98    | 499802      |     | SCREW, IDLE SPEED              |
| 102   | 690234      |     | GASKET, PLATE                  |
| 104   | 690984      |     | PIN, FLOAT HINGE               |
| 105   | 690985      |     | VALVE, NEEDLE                  |
| 108   | 690986      |     | VALVE, CHOKE                   |
| 110   | 691261      |     | WASHER                         |
| 116   | 690987      |     | O-RING, SOLENOID RETAINER      |
| 116A  | 690988      |     | O-RING, FUEL TRANSFER TUBE     |
| 116B  | 690589      |     | SEAL, O-RING (OIL PUMP COVER)  |

| Ref # | Part Number | Qty | Description                    |
|-------|-------------|-----|--------------------------------|
| 116C  | 691031      |     | SEAL, O-RING (DIPSTICK)        |
| 116D  | 691032      |     | SEAL, O-RING (OIL FILTER TUBE) |
| 117   | 690232      |     | JET, MAIN (STANDARD)           |
| 119   | 690990      |     | SCREW, PHILLIPS                |
| 119A  | 690991      |     | SCREW, PHILLIPS                |
| 119B  | 690992      |     | SCREW, PHILLIPS                |
| 119C  | 690720      |     | SCREW, PHILLIPS                |
| 121   | 499811      |     | CARBURETOR OVERHAUL KIT        |
| 122   | 690952      |     | SPACER, CARBURETOR             |
| 125   | 499804      |     | CARBURETOR                     |
| 130   | 690993      |     | VALVE, THROTTLE                |
| 131   | 499805      |     | SHAFT, THROTTLE                |
| 133   | 499806      |     | FLOAT, CARBURETOR              |
| 135   | 499803      |     | TUBE, FUEL TRANSFER            |
| 137   | 690994      |     | GASKET, FLOAT BOWL             |
| 141   | 499807      |     | SHAFT CHOKE                    |
| 142   | 499808      |     | NOZZLE, CARBURETOR             |
| 146   | 94388       |     | TIMING GEAR KEY                |
| 150   | 281767      |     | GASKET, NOZZLE                 |
| 160   | 690996      |     | RETAINER, SOLENOID             |
| 163   | 691001      |     | GASKET, AIR CLEANER            |
| 176   | 691033      |     | SCREW, T-30                    |
| 187   | 691050      |     | LINE, FUEL                     |
| 187A  | 691049      |     | LINE, FUEL                     |
| 188   | 691058      |     | SCREW, HEX                     |
| 190   | 690953      |     | SCREW, TORX HEX                |
| 192   | 690083      |     | ADJUSTER, ROCKER ARM           |
| 195   | 690954      |     | NIPPLE                         |
| 209   | 690018      |     | SPRING, GOVERNOR               |
| 211   | 690019      |     | SPRING, GOVERNED IDLE          |
| 212   | 691020      |     | LINK, THROTTLE                 |
| 213   | 691021      |     | BRACKET, CHOKE CONTROL         |
| 216   | 691022      |     | LINK, CHOKE                    |
| 219   | 394348      |     | GEAR, GOVERNOR                 |
| 220   | 690412      |     | WASHER, THRUST                 |
| 222   | 691023      |     | PLATE, GOVERNOR CONTROL        |
| 227   | 691048      |     | LEVER ASSY, GOVERNOR           |
| 240   | 691035      |     | FILTER, FUEL                   |
| 252   | 690956      |     | ELEMENT, BREATHER              |
| 256   | 690957      |     | RETAINER, ELEMENT              |
| 258   | 691003      |     | SCREW, HEX                     |
| 265   | 691024      |     | CLAMP, CASING                  |
| 277   | 691029      |     | NUT, HEX                       |
| 304   | 691004      |     | HOUSING, BLOWER                |
| 305   | 691005      |     | SCREW, HEX                     |
| 309   | 691262      |     | MOTOR, STARTER                 |
| 310   | 691263      |     | SCREW, HEX                     |
| 311   | 691264      |     | BRUSH, SET                     |
| 332   | 690059      |     | NUT, FLYWHEEL                  |
| 333   | 691060      |     | ARMATURE, MAGNETO              |
| 334   | 691061      |     | SCREW, ARMATURE MOUNTING       |
| 337   | 690965      |     | SPARK PLUG                     |
| 351   | 691044      |     | SCREW, HEX                     |
| 355   | 690997      |     | WASHER, SEAL                   |
| 358   | 499889      |     | GASKET SET                     |
| 363   | 691062      |     | FLYWHEEL, PULLER               |
| 383   | 690966      |     | WRENCH, SPARK PLUG             |
| 387   | 691034      |     | PUMP, FUEL                     |

| Ref # | Part Number | Qty | Description              |
|-------|-------------|-----|--------------------------|
| 445   | 691007      |     | CARTRIDGE, AIR CLEANER   |
| 467   | 691008      |     | NUT, AIR CLEANER         |
| 474   | 691063      |     | ALTERNATOR               |
| 482   | 691183      |     | SCREW, HEX               |
| 510   | 497606      |     | DRIVE, STARTER           |
| 523   | 691036      |     | DIPSTICK, OIL            |
| 525   | 691037      |     | TUBE, OIL FILL           |
| 552   | 690552      |     | BUSHING, GOVERNOR CRANK  |
| 552A  | 690553      |     | BUSHING, GOVERNOR CRANK  |
| 556   | 690967      |     | SCREW, HEX               |
| 562   | 690311      |     | BOLT, CARRIAGE           |
| 573   | 691009      |     | PLATE, BLACK             |
| 592   | 690958      |     | NUT, HEX                 |
| 529A  | 691029      |     | NUT, HEX                 |
| 601   | 691038      |     | CLAMP, FUEL LINE         |
| 615   | 690328      |     | RETAINER, GOVERNOR       |
| 615A  | 690317      |     | RETAINER, GOVERNOR       |
| 615B  | 691265      |     | RETAINER                 |
| 616   | 691045      |     | CRANK, GOVERNOR          |
| 633   | 690998      |     | SEAL, CHOKE SHAFT        |
| 634   | 690442      |     | WASHER, FLAT             |
| 635   | 691210      |     | BOOT, SPARK PLUG         |
| 668   | 691215      |     | SPACER                   |
| 703   | 690010      |     | CLIP, HOSE               |
| 718   | 690959      |     | DOWEL, SLEEVE            |
| 726   | 499612      |     | GEAR, RING               |
| 728   | 690372      |     | SCREW, TORX              |
| 741   | 690980      |     | GEAR, TIMING             |
| 783   | 691280      |     | GEAR, STARTER            |
| 788   | 691039      |     | BRACKET, PUMP            |
| 789   | 691220      |     | HARNESS, WIRING          |
| 801   | 691283      |     | CAP, DRIVE               |
| 802   | 691286      |     | CAP, END                 |
| 823   | 690960      |     | SCREW, HEX               |
| 847   | 499602      |     | DIPSTICK/TUBE ASSY       |
| 851   | 691234      |     | TERMINAL, IGNITION CABLE |
| 855   | 691011      |     | ADAPTER, AIR             |
| 865   | 691012      |     | COVER, AIR GUIDE         |
| 865A  | 691013      |     | COVER, AIR GUIDE         |
| 865B  | 691015      |     | COVER, AIR GUIDE         |
| 868   | 690968      |     | SEAL, VALVE              |
| 871   | 690969      |     | BUSHING, GUIDE           |
| 878   | 691237      |     | WIRE, ALTERNATOR         |
| 881   | 690999      |     | PLATE, COVER             |
| 883   | 690970      |     | GASKET, EXHAUST          |
| 918   | 691040      |     | HOSE, VACUUM             |
| 947   | 499809      |     | SOLENOID, FUEL           |
| 965   | 499613      |     | COVER, OIL PUMP          |
| 967   | 691016      |     | FILTER, PRE-CLEANER      |
| 968   | 499788      |     | COVER, AIR CLEANER       |
| 975   | 499810      |     | BOWL, FLOAT              |
| 977   | 499812      |     | GASKET SET, CARBURETOR   |
| 987   | 691000      |     | SEAL, THROTTLE SHAFT     |
| 1005  | 691243      |     | FAN, FLYWHEEL            |
| 1006  | 691247      |     | RETAINER, FAN            |
| 1017  | 690770      |     | SCREEN, OIL PUMP         |
| 1019  | 690103      |     | LABEL KIT                |
| 1022  | 690971      |     | GASKET, ROCKER COVER     |

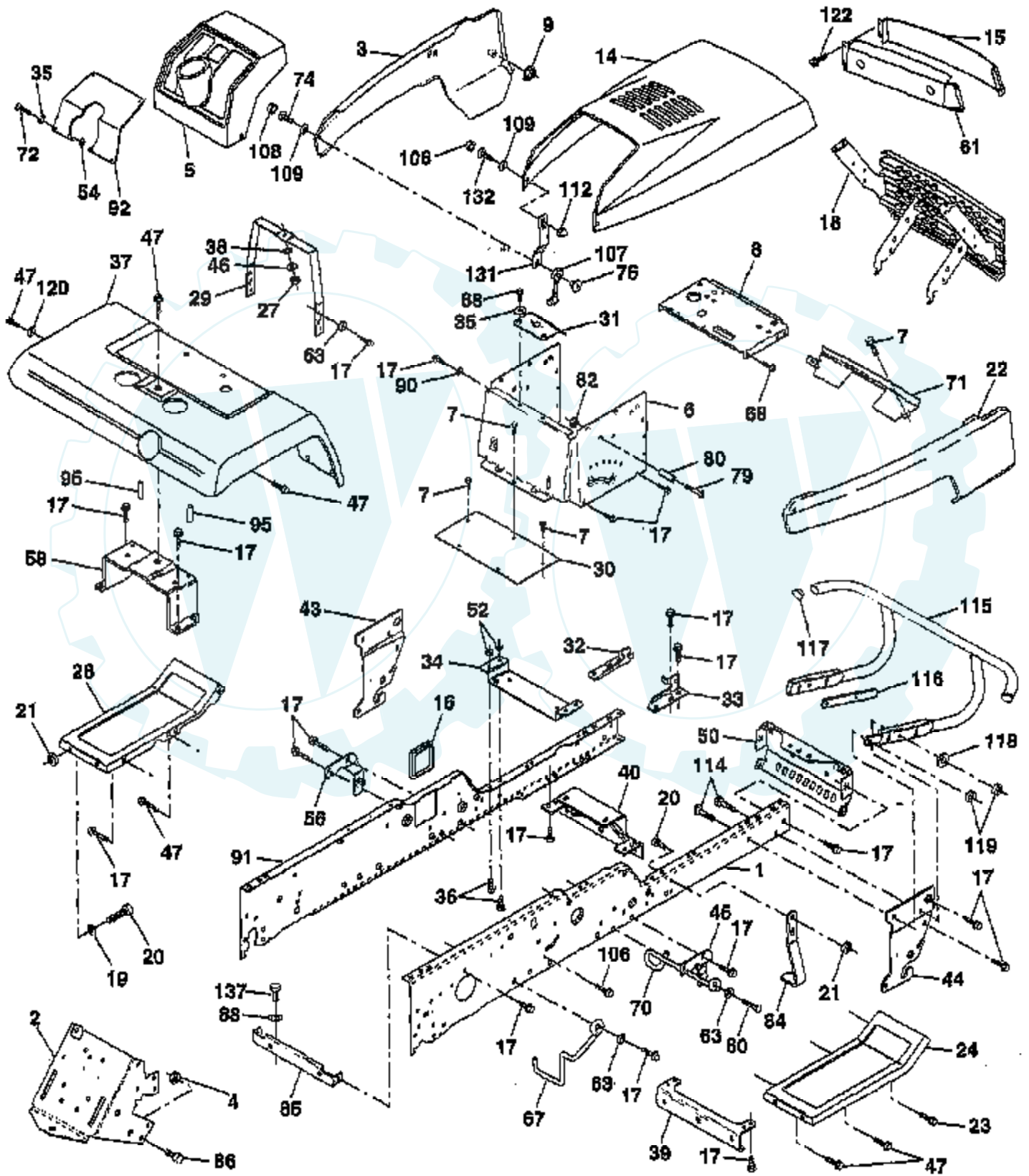


| Ref # | Part Number | Qty | Description               |
|-------|-------------|-----|---------------------------|
| 1023  | 499599      |     | COVER, ROCKER (CYL. NO.1) |
| 1023A | 499600      |     | COVER, ROCKER (CYL. NO.2) |
| 1024  | 499054      |     | PUMP, OIL                 |
| 1026  | 690981      |     | ROD, PUSH (STEEL)         |
| 1026A | 690982      |     | ROD, PUSH (ALUMINUM)      |
| 1027  | 690041      |     | FILTER, OIL               |
| 1029  | 690972      |     | ARM, ROCKER               |
| 1033  | 499890      |     | VALVE OVERHAUL KIT        |
| 1035  | 691042      |     | SHAFT, OIL PUMP           |
| 1036  | 499783      |     | LABEL KIT, EMISSION       |
| 1058  | 273694      |     | OWNER'S MANUAL            |
| 1090  | 691293      |     | RETAINER, BRUSH           |
| 1100  | 690973      |     | PIVOT, ROCKER ARM         |
| 2500  | 407777-0027 |     | ENGINE                    |



# TRACTOR - - MODEL NUMBER AYP8209A89

## CHASSIS AND ENCLOSURES

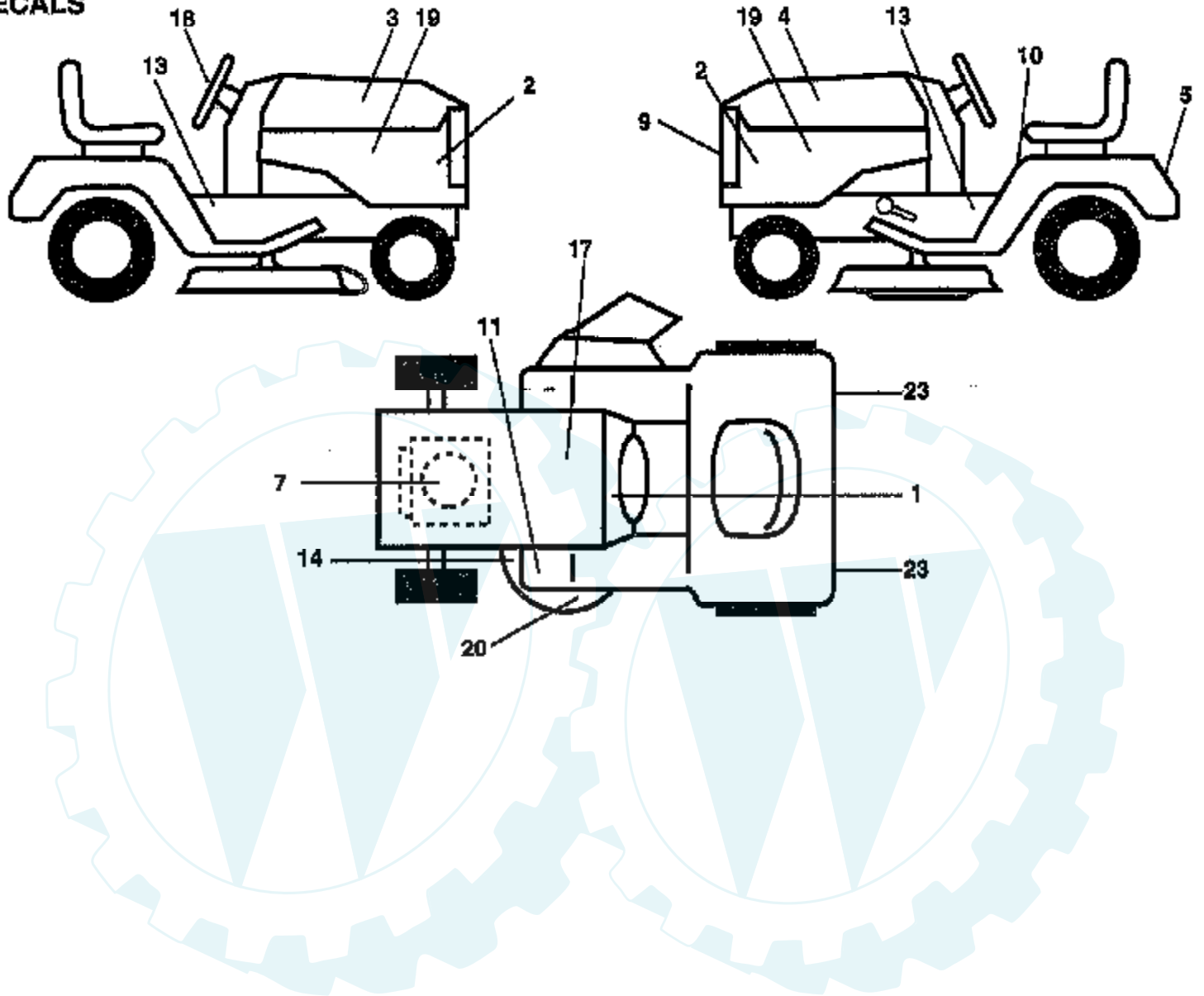


| Ref # | Part Number | Qty | Description         |
|-------|-------------|-----|---------------------|
| 1     | 150253      |     | "RAIL,FRAME RH"     |
| 2     | 140506      |     | DRAWBAR GT          |
| 3     | 150302X418  |     | "PANEL,ASM SIDE LH" |
| 4     | 73680700    |     | NUT GTV             |
| 5     | 140398      |     | DASHBOARD BLACK     |
| 6     | 157882      |     | DASH LOWER          |
| 7     | 17720408    |     | SCREW               |
| 8     | 145166      |     | SUPPORT.DASH.BTRY   |
| 9     | 108067X     |     | PAL NUT LT          |
| 14    | 150301X418  |     | "HOOD ASM.,PNT"     |
| 15    | 146459      |     | LENS.BAR.CLEAR      |
| 16    | 121794X     |     | COVER ACCESS        |
| 17    | 17490612    |     | SCREW               |
| 18    | 150198      |     | GRILLE              |
| 19    | 19131312    |     | WASHER              |
| 20    | 74760616    |     | BOLT                |
| 21    | 73680600    |     | SUB= 73690600       |
| 22    | 150303X418  |     | PANEL ASM.SIDE RH   |
| 23    | 17490616    |     | SCREW GTV           |
| 24    | 145243X418  |     | FOOTREST.RH.LT/GT   |
| 27    | 73220400    |     | SUB= 50675          |
| 28    | 145244X418  |     | FOOTREST.LT.LT/GT   |
| 29    | 145205      |     | DASH.SUPT.YP/HUSQ   |
| 30    | 145051X014  |     | SADDLE.SCR.6SP      |
| 31    | 161419      |     | BRKT SUPT 1-PC VG   |
| 32    | 141315      |     | BRACKET ASM FRAME   |
| 33    | 141314      |     | BRACKET ASM FRAME   |
| 34    | 142131      |     | BRACKET.ENG.SUPT.   |
| 35    | 19111116    |     | WASHER              |
| 36    | 74780512    |     | BOLT                |
| 37    | 121642X418  |     | "FENDER,RH"         |
| 38    | 10040400    |     | LOCKWASHER          |
| 39    | 136961      |     | BRACKET.AXLE.FRT.   |
| 40    | 156111      |     | "BRKT SUPPORT,AXLE" |
| 43    | 136939      |     | BRACKET.SUS.FT.LH   |
| 44    | 136940      |     | BRACKET.SUS.FT.RH   |
| 45    | 154913      |     | BRACKET.SUSP.RH.    |
| 46    | 19091216    |     | WASHER PM           |
| 47    | 17490608    |     | SCREW LT            |
| 50    | 152728      |     | "BRKT CHASSIS,FRNT" |
| 52    | 73680500    |     | SUB= 73690500       |
| 54    | 73510500    |     | NUT                 |
| 56    | 154914      |     | BRACKET.SUSP.LH.    |
| 58    | 137113      |     | BRKT.ASM.FENDER     |
| 60    | 17490620    |     | SCREW               |
| 61    | 147717      |     | BEZEL.ASM.          |
| 63    | 19131614    |     | WASHER              |
| 67    | 156973      |     | "GUIDE BELT, T/A"   |
| 68    | 17490508    |     | SCREW LT            |
| 70    | 137159      |     | GUIDE.BELT.MID.SP   |
| 71    | 144916X418  |     | STRAP.GRILL         |
| 72    | 74180512    |     | SCREW               |
| 74    | 74191008    |     | SCREW               |
| 76    | 2029J       |     | WELDNUT             |
| 79    | 74981020    |     | SCREW               |
| 80    | 7206J       |     | SPACER LT           |
| 82    | 73731000    |     | NUT                 |
| 84    | 142992      |     | STOP.OVER.CENTER    |

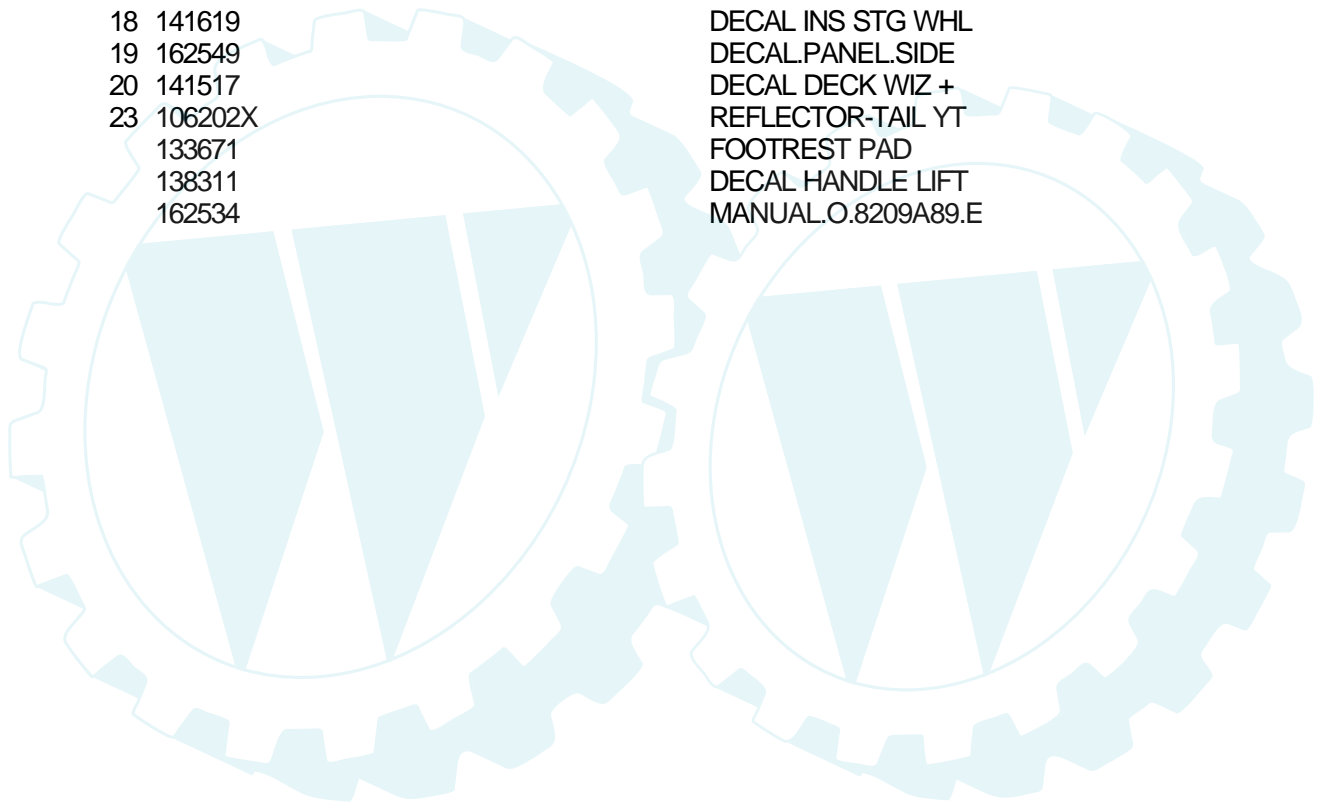
| Ref # | Part Number | Qty | Description         |
|-------|-------------|-----|---------------------|
| 85    | 144911      |     | BRACKET.SUPT.TRAN   |
| 86    | 74760716    |     | BOLT                |
| 88    | 10040700    |     | LOCKWASHER          |
| 90    | 11050600    |     | LOCKWASHER          |
| 91    | 156586      |     | "RAIL FRAME,LH"     |
| 92    | 156286X010  |     | "PLATE DASH,SLKSCR" |
| 95    | 105531X     |     | NUT-PUSH YT         |
| 106   | 138776      |     | SUB= 157722         |
| 107   | 109808X     |     | HOOD LATCH T        |
| 108   | 110356X     |     | SNAP CAP LT         |
| 109   | 110357X     |     | WASHER LT           |
| 112   | 60867       |     | ACORN NUT RB        |
| 114   | 72140610    |     | BOLT.3/8-14X1.25    |
| 115   | 150300      |     | BUMPER.ASM          |
| 116   | 141461      |     | BRACKET.EXT.BUMP.   |
| 117   | 143679      |     | PLUG.PLASTIC        |
| 118   | 19131316    |     | WASHER              |
| 119   | 73680600    |     | SUB= 73690600       |
| 120   | 19131616    |     | WASHER HYT          |
| 122   | 161464      |     | SCREW.HEX.WS.HD     |
| 131   | 150195      |     | BKT.SPT.HOOD/PANL   |
| 132   | 74291006    |     | SCREW.10-24X3/8.    |
| 137   | 74780616    |     | BOLT                |
|       | 8022J       |     | PLUG-DASH T         |

### TRACTOR - - MODEL NUMBER AYP8209A89

#### DECALS

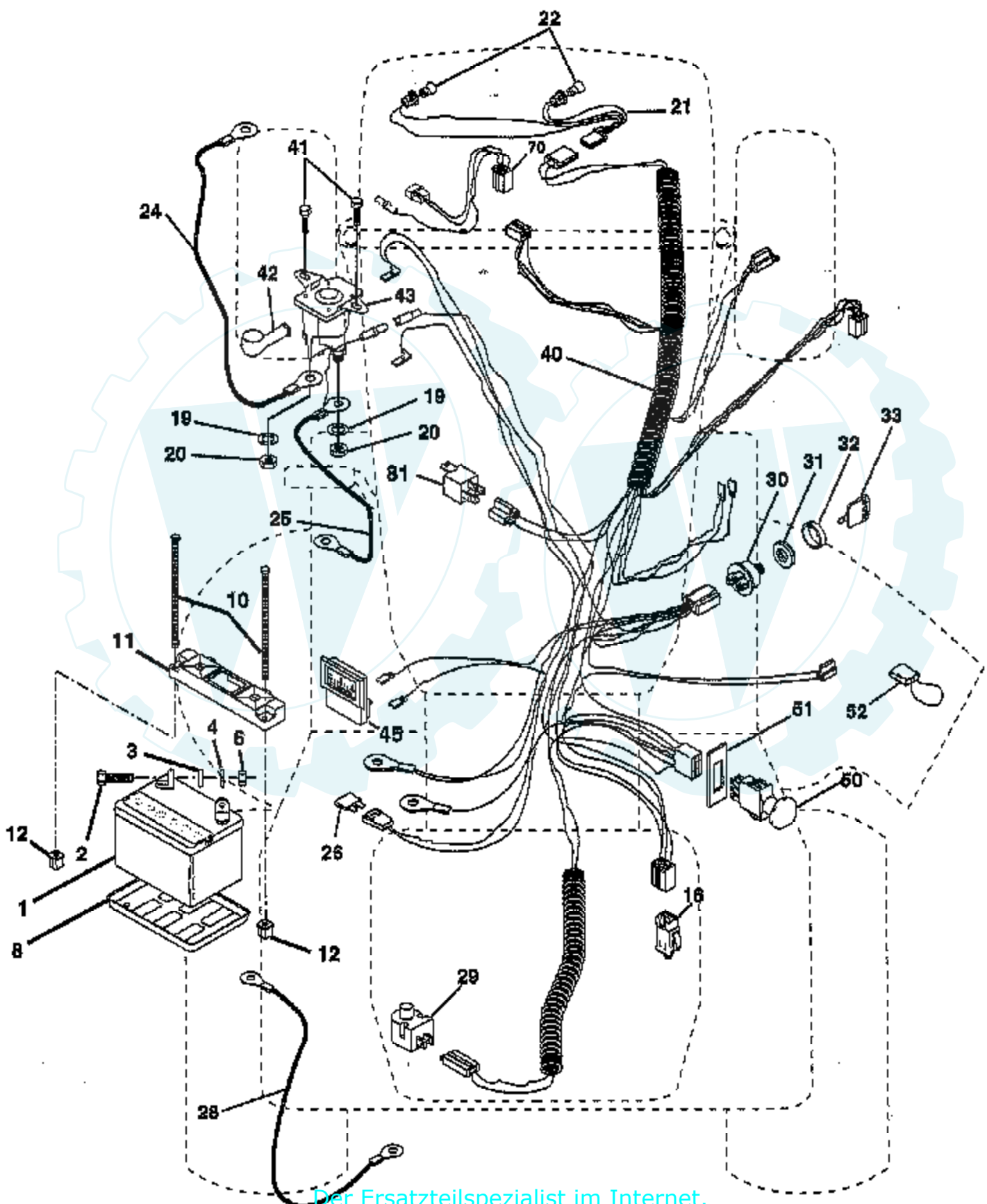


| Ref # | Part Number | Qty | Description         |
|-------|-------------|-----|---------------------|
|       |             |     | REFER TO IMAGE      |
| 1     | 156834      |     | "DECAL-OPER,GEAR D" |
| 2     | 143388      |     | NAMEPLATE.HD.WIZA   |
| 3     | 151253      |     | DECAL.HD.RH.WIZRD   |
| 4     | 151255      |     | DECAL.HD.LH.WIZRD   |
| 5     | 127520      |     | NLA                 |
| 6     | 151477      |     | DECAL.GRILLE.WIZ+   |
| 7     | 273728      |     | DECAL, ENGINE       |
| 9     | 151477      |     | DECAL.GRILLE.WIZ+   |
| 10    | 157002      |     | "DECAL DANGER,FEND" |
| 11    | 4900J       |     | DECAL T             |
| 13    | 141586      |     | "DCL.CHASSIS.50""   |
| 14    | 160397      |     | SUB= 532160397      |
| 17    | 145005      |     | DECAL.BATRY.3-3908  |
| 18    | 141619      |     | DECAL INS STG WHL   |
| 19    | 162549      |     | DECAL.PANEL.SIDE    |
| 20    | 141517      |     | DECAL DECK WIZ +    |
| 23    | 106202X     |     | REFLECTOR-TAIL YT   |
|       | 133671      |     | FOOTREST PAD        |
|       | 138311      |     | DECAL HANDLE LIFT   |
|       | 162534      |     | MANUAL.O.8209A89.E  |



# TRACTOR - - MODEL NUMBER AYP8209A89

## ELECTRICAL

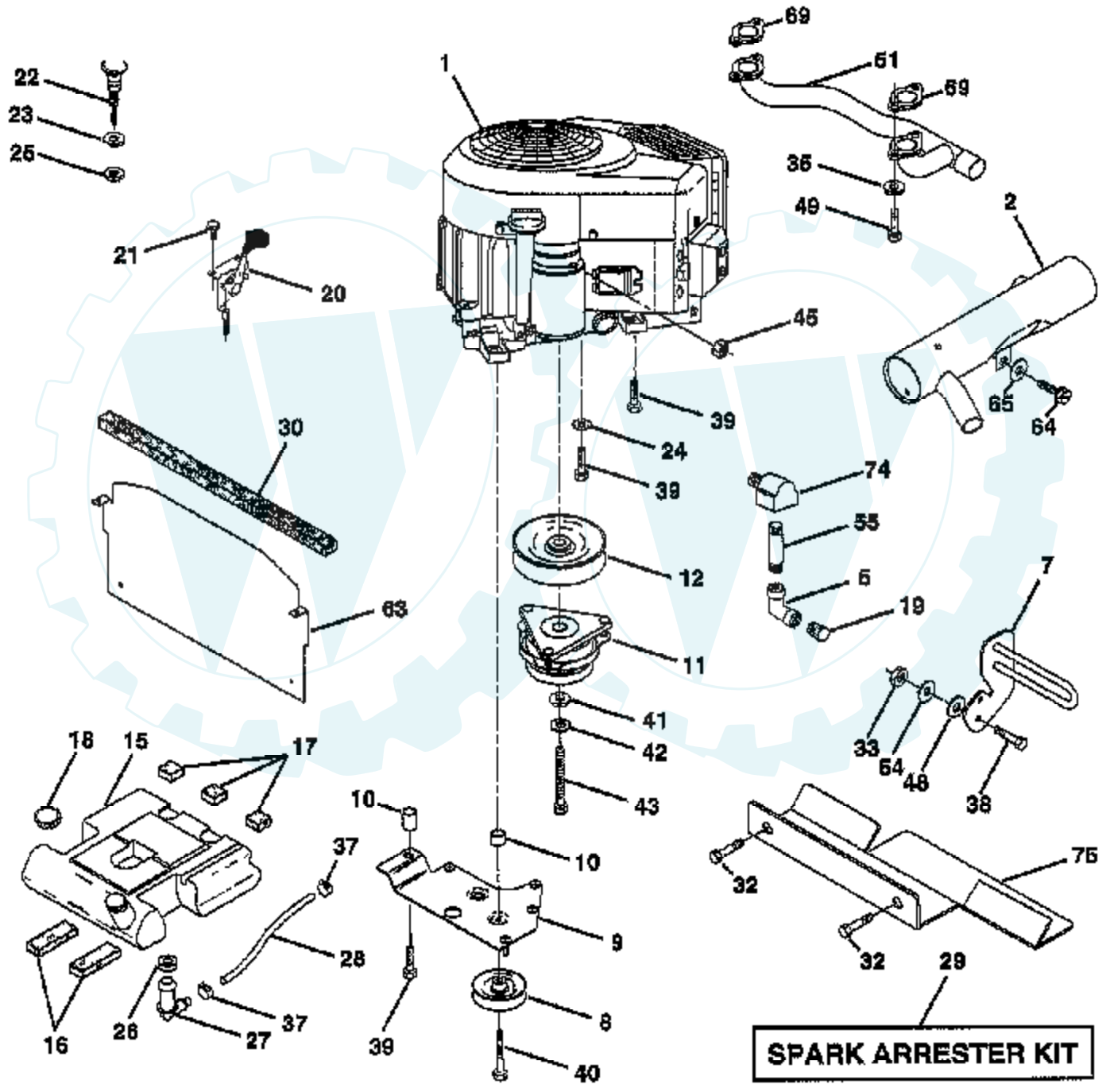


| Ref # | Part Number | Qty | Description         |
|-------|-------------|-----|---------------------|
| 1     | 144926      |     | SUB= 123899X        |
| 2     |             |     | CHECK WITH SUPPLIER |
| 3     | 19091016    |     | WASHER              |
| 4     | 10040400    |     | LOCKWASHER          |
| 6     | 73220400    |     | SUB= 50675          |
| 8     | 7603J       |     | "TRAY T, BATTERY"   |
| 10    | 145211      |     | SUB= 150177         |
| 11    | 150109      |     | HOLDDOWN BATTERY    |
| 12    | 145769      |     | SUB= 150177         |
| 16    | 153664      |     | SWITCH INTERLOCK    |
| 19    | 10090400    |     | SUB= 10040400       |
| 20    | 73350400    |     | NUT                 |
| 21    | 136850      |     | "HARNES,LIGHT SOC"  |
| 22    | 4152J       |     | HEADLAMP BULB       |
| 24    | 4206J       |     | CABLE-BATTERY T     |
| 25    | 146149      |     | CABLE.6GA.12.5.     |
| 26    | 108824X     |     | FUSE HYT            |
| 28    | 4207J       |     | CABLE T             |
| 29    | 160784      |     | SWITCH.PLUNGER      |
| 30    | 140301      |     | SWITCH IGN 4POS     |
| 31    | 124211X     |     | NUT IGNITION        |
| 32    | 141226      |     | COVER KEY SWITCH    |
| 33    | 122147X     |     | KEY                 |
| 40    | 160725      |     | HARNES.IGNITON      |
| 41    | 17720408    |     | SCREW               |
| 42    | 131563      |     | SUB= 154336         |
| 43    | 145673      |     | SUB= 146154         |
| 45    | 122822X     |     | AMMETER             |
| 50    | 154959      |     | PTO SWITCH.BLK      |
| 51    | 140405      |     | RING RETAIN PTO     |
| 52    | 141940      |     | PROTECTION LOOP     |
| 70    | 164767      |     | HARNES.ENGINE       |
| 81    | 109748X     |     | RELAY ASSY T        |



# TRACTOR - - MODEL NUMBER AYP8209A89

## ENGINE

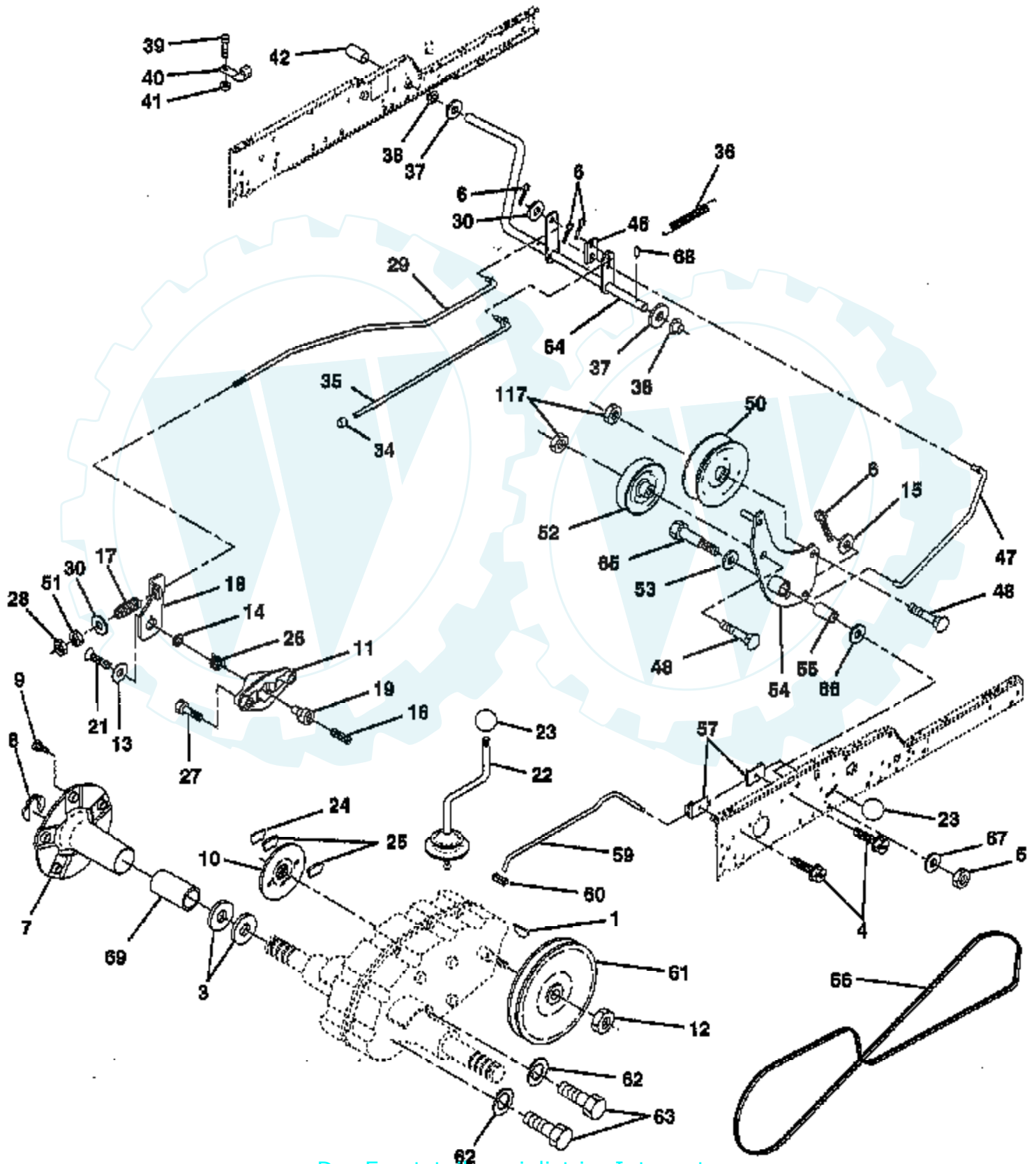




| Ref # | Part Number | Qty | Description           |
|-------|-------------|-----|-----------------------|
| 1     |             |     | CHECK WITH SUPPLIER   |
| 2     | 161062      |     | MUFFLER SIDE1-1/8     |
| 4     | 13280336    |     | PIPE NIPPLE LT        |
| 5     | 13200300    |     | ELBOW                 |
| 7     | 151396      |     | GUARD.MUFFLER.ASM     |
| 8     | 121361X     |     | SUB= 139123           |
| 9     | 150828      |     | KEEPER ASM BELT       |
| 10    | 105432X     |     | BUSHING.              |
| 11    | 140923      |     | SUB= 150283           |
| 12    | 143996      |     | PULLEY.ENG.CLUTCH     |
| 15    | 151346      |     | TANK FUEL REAR        |
| 16    | 109227X     |     | PAD IDLER TI          |
| 17    | 106082X     |     | PAD-SPACER LT         |
| 18    | 140527      |     | CAP ASM FUEL          |
| 19    |             |     | CHECK WITH SUPPLIER   |
| 19    | 13290300    |     | PLUG T                |
| 20    | 132748      |     | SUB= 532132748        |
| 21    | 17720410    |     | SCREW LT              |
| 22    | 132783      |     | CHOKE CONTROL         |
| 23    | 19131316    |     | WASHER                |
| 24    | 11050600    |     | LOCKWASHER            |
| 25    | 73920600    |     | "NUT,KEPS 3/8-24IM"   |
| 26    | 3645J       |     | BUSHING OUTLET T      |
| 27    | 139277      |     | STEM.TANK.FUEL        |
| 28    | 7834R       |     | SUB= 8542R            |
| 29    | 132920      |     | SPARK ARREST KIT      |
| 30    | 105037X     |     | FOAM-STRIP LT         |
| 32    |             |     | CHECK WITH SUPPLIER   |
| 33    | 73800600    |     | NUT                   |
| 35    | 10040500    |     | LOCKWASHER            |
| 37    | 123487X     |     | HOSE CLAMP            |
| 38    | 74780624    |     | "BOLT,HEX"            |
| 39    | 17490636    |     | SCREW.3/8-16X2.25     |
| 40    | 17490664    |     | SCREW.TT.3/8-16X4     |
| 41    | 126197X     |     | WASHER                |
| 42    | 10040700    |     | LOCKWASHER            |
| 43    | 150280      |     | BOLT.7/16-20X4.25     |
| 45    | 128861      |     | NUT                   |
| 47    | 142040      |     | SPACER.ENGINE         |
| 48    | 19132007    |     | WASHER T              |
| 49    | 71070512    |     | SCREW                 |
| 51    | 161064      |     | PIPE.MANIFOLD         |
| 54    | 19131414    |     | WASHER                |
| 63    | 145549      |     | HEAT.SHIELD.VGT.      |
| 64    | 17490612    |     | SCREW                 |
| 65    | 19131614    |     | WASHER                |
| 69    | 273485      |     | GASKET MUFFLER        |
| 74    | 162295      |     | ELBOW STREET BASS     |
| 75    | 163776      |     | SHIELD.HEAT.INTEK.VGT |

# TRACTOR - - MODEL NUMBER AYP8209A89

## GROUND DRIVE



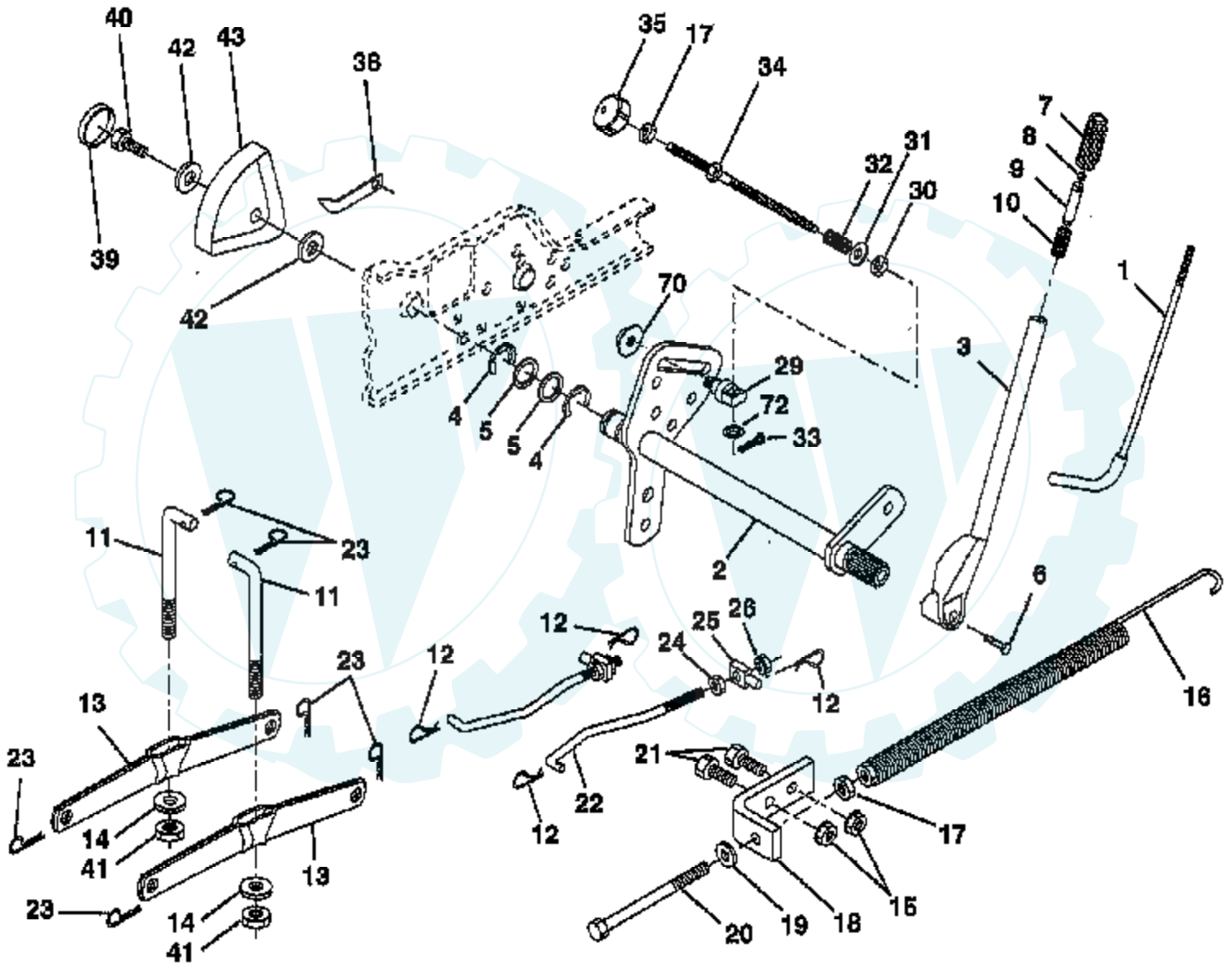
| Ref # | Part Number | Qty | Description         |
|-------|-------------|-----|---------------------|
| 1     | 9858M1      |     | KEY                 |
| 2     | 7563R       |     | WASHER T            |
| 4     |             |     | CHECK WITH SUPPLIER |
| 5     | 73680600    |     | SUB= 73690600       |
| 6     | 76020412    |     | COTTER PIN          |
| 7     | 149176      |     | SUB= 149176X431     |
| 8     | 12000034    |     | KLIP RING           |
| 9     | 140080      |     | BOLT.HUB.WHL.REAR   |
| 10    | 142509      |     | BRAKE.DISC.         |
| 11    | 136927      |     | YOKE BRAKE DISC     |
| 12    | 73750800    |     | "LOCKNUT,1/2-20UNF" |
| 13    | 139419      |     | WASHER SPECIAL      |
| 14    | 138901      |     | BUSHING LEVER BKT   |
| 15    | 19131316    |     | WASHER              |
| 16    | 143012      |     | SCREW SET 1/4-20    |
| 17    | 126909X     |     | "SPRING,ROD BRAKE"  |
| 18    | 137104      |     | LEVER BRAKE GT      |
| 19    | 136926      |     | CAM BRAKE DISC GT   |
| 21    | 23260412    |     | SCREW FLT 1/4X28    |
| 22    | 633A109     |     | GEAR SHFT LVR T     |
| 23    | 121466X     |     | KNOB                |
| 24    | 136925      |     | SUPPORT PUCK BRKE   |
| 25    | 136923      |     | PUCK BRAKE TOP      |
| 26    | 137552      |     | SPRING RET BRAKE    |
| 27    | 17490528    |     | SCREW HX WASH       |
| 28    | 73350600    |     | NUT                 |
| 29    | 137213      |     | ROD BRAKE ZINC GT   |
| 30    | 19131616    |     | WASHER HYT          |
| 34    | 124236X     |     | CAP                 |
| 35    | 137648      |     | ROD BRAKE PART GT   |
| 36    | 149412      |     | SPRING.GRND.DRIVE   |
| 37    | 121749X     |     | WASHER              |
| 38    | 150035      |     | BUSHING.NYLINER     |
| 39    | 74321016    |     | SCREW               |
| 40    | 5304J       |     | ACT-SWITCH T        |
| 41    | 73631000    |     | SUB= 69180          |
| 42    | 8883R       |     | PEDAL COVER T       |
| 46    | 145170      |     | RETAINER.SPRING     |
| 47    | 138228      |     | ROD.CLUTCH          |
| 48    | 72110612    |     | BOLT.3/8-16X1.50    |
| 50    | 131494      |     | FLAT IDLER PULLEY   |
| 51    | 73680600    |     | SUB= 73690600       |
| 52    | 139123      |     | PULLEY.IDLER.V.GR   |
| 53    | 207J        |     | WASHER T            |
| 54    | 161590      |     | CLUTCH.ARM.ASM      |
| 55    | 105706X     |     | "LY, BEARING"       |
| 56    | 137153      |     | BELTV.GR.DR.83.     |
| 57    | 141756      |     | BRACKET.ROD.SHIFT   |
| 59    | 122253X     |     | ROD SHIFT HI LO     |
| 60    | 122268X     |     | CONNECTING LINK     |
| 61    | 137524      |     | SUB= 532137524      |
| 62    | 10040700    |     | LOCKWASHER          |
| 63    | 74760720    |     | BOLT                |
| 64    | 154752      |     | SHAFT-BRAKE/CLUTC   |
| 65    | 67609       |     | AXLE BOLT           |
| 66    | 140296      |     | WASHER.HARD.BLADE   |
| 67    | 19131312    |     | WASHER              |
| 68    | 5142H       |     | ROLL PIN STD        |

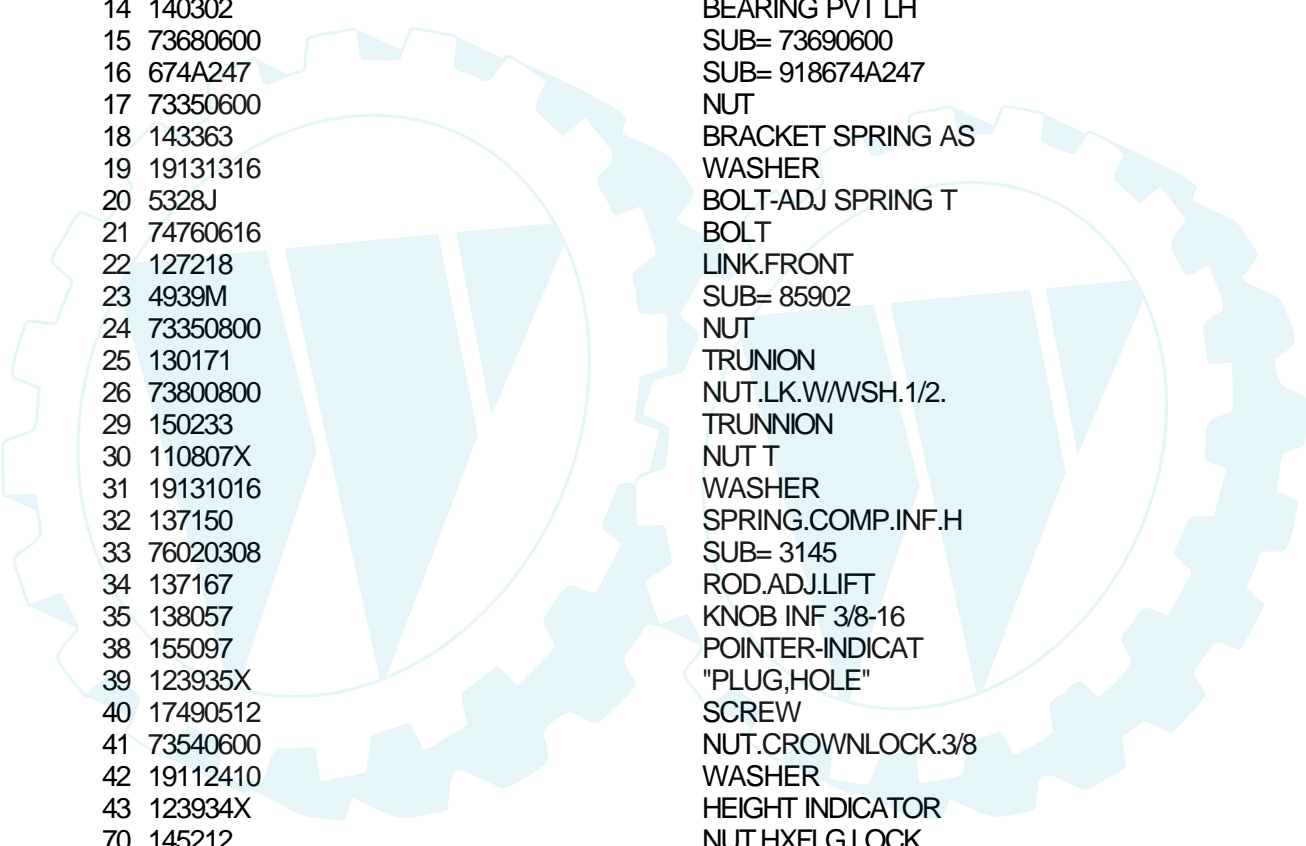
| Ref # | Part Number | Qty | Description  |
|-------|-------------|-----|--------------|
| 69    | 136327      |     | "COVER, HUB" |
| 117   | 73900600    |     | SUB= 83923   |



# TRACTOR - - MODEL NUMBER AYP8209A89

## LIFT ASSEMBLY





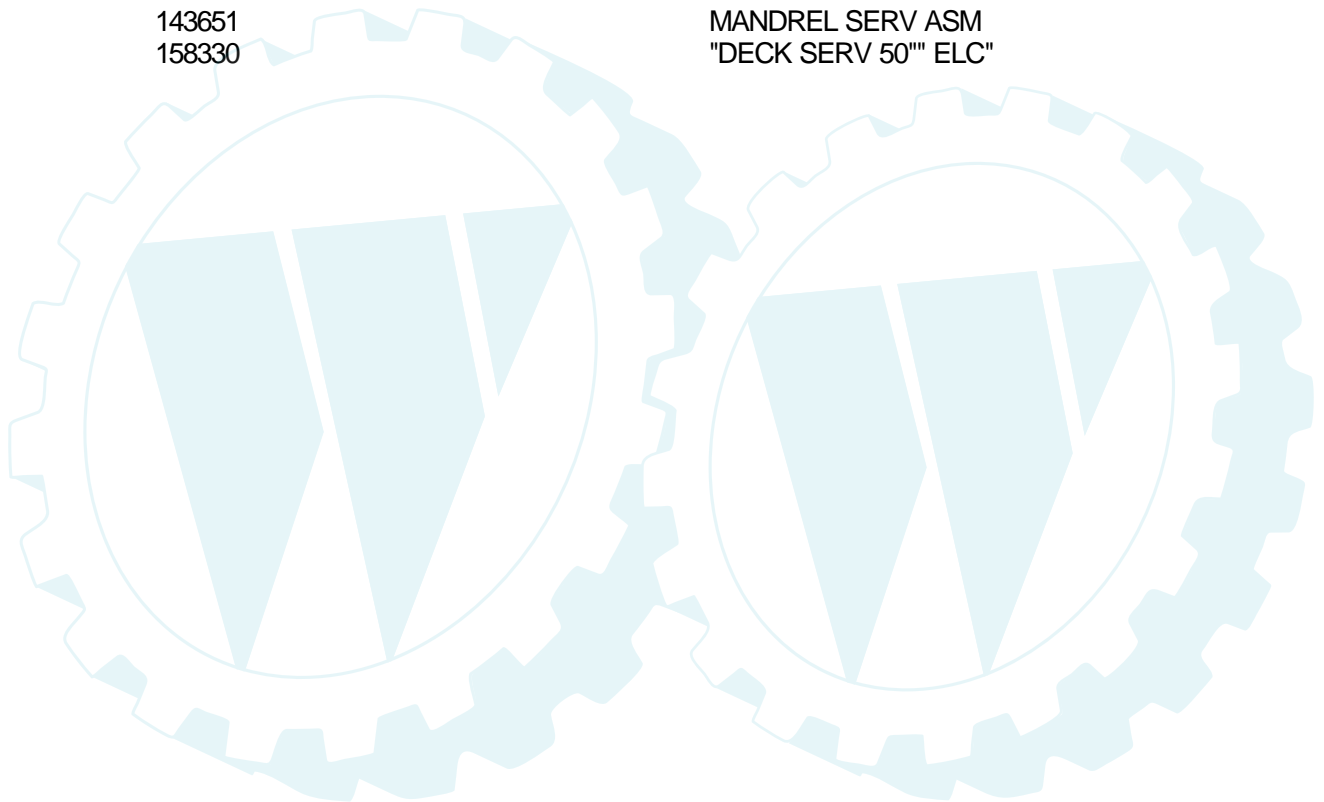
| Ref # | Part Number | Qty | Description         |
|-------|-------------|-----|---------------------|
| 1     | 121006X     |     | LEVER ROD LT        |
| 2     | 154389      |     | SHAFT AMS LIFT      |
| 3     | 121002X     |     | SUB= 123096X        |
| 4     | 12000022    |     | E-RING              |
| 5     | 19292016    |     | WASHER              |
| 6     | 74780624    |     | "BOLT,HEX"          |
| 7     | 125631X     |     | GRIP HANDLE         |
| 8     | 122365X     |     | SUB= 125925X        |
| 9     | 122364X     |     | SUB= 125925X        |
| 10    | 2876H       |     | SPRING T            |
| 11    | 146704      |     | LINK.LIFT.MWR.VGT   |
| 12    | 163552      |     | RETAINER SPRING     |
| 13    | 139868      |     | ARM SUSP REAR       |
| 14    | 140302      |     | BEARING PVT LH      |
| 15    | 73680600    |     | SUB= 73690600       |
| 16    | 674A247     |     | SUB= 918674A247     |
| 17    | 73350600    |     | NUT                 |
| 18    | 143363      |     | BRACKET SPRING AS   |
| 19    | 19131316    |     | WASHER              |
| 20    | 5328J       |     | BOLT-ADJ SPRING T   |
| 21    | 74760616    |     | BOLT                |
| 22    | 127218      |     | LINK.FRONT          |
| 23    | 4939M       |     | SUB= 85902          |
| 24    | 73350800    |     | NUT                 |
| 25    | 130171      |     | TRUNION             |
| 26    | 73800800    |     | NUT.LK.W/WSH.1/2.   |
| 29    | 150233      |     | TRUNNION            |
| 30    | 110807X     |     | NUT T               |
| 31    | 19131016    |     | WASHER              |
| 32    | 137150      |     | SPRING.COMP.INF.H   |
| 33    | 76020308    |     | SUB= 3145           |
| 34    | 137167      |     | ROD.ADJ.LIFT        |
| 35    | 138057      |     | KNOB INF 3/8-16     |
| 38    | 155097      |     | POINTER-INDICAT     |
| 39    | 123935X     |     | "PLUG,HOLE"         |
| 40    | 17490512    |     | SCREW               |
| 41    | 73540600    |     | NUT.CROWNLOCK.3/8   |
| 42    | 19112410    |     | WASHER              |
| 43    | 123934X     |     | HEIGHT INDICATOR    |
| 70    | 145212      |     | NUT.HXFLG.LOCK.     |
| 72    |             |     | CHECK WITH SUPPLIER |





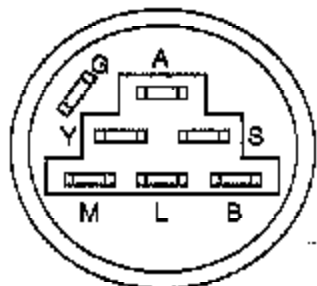
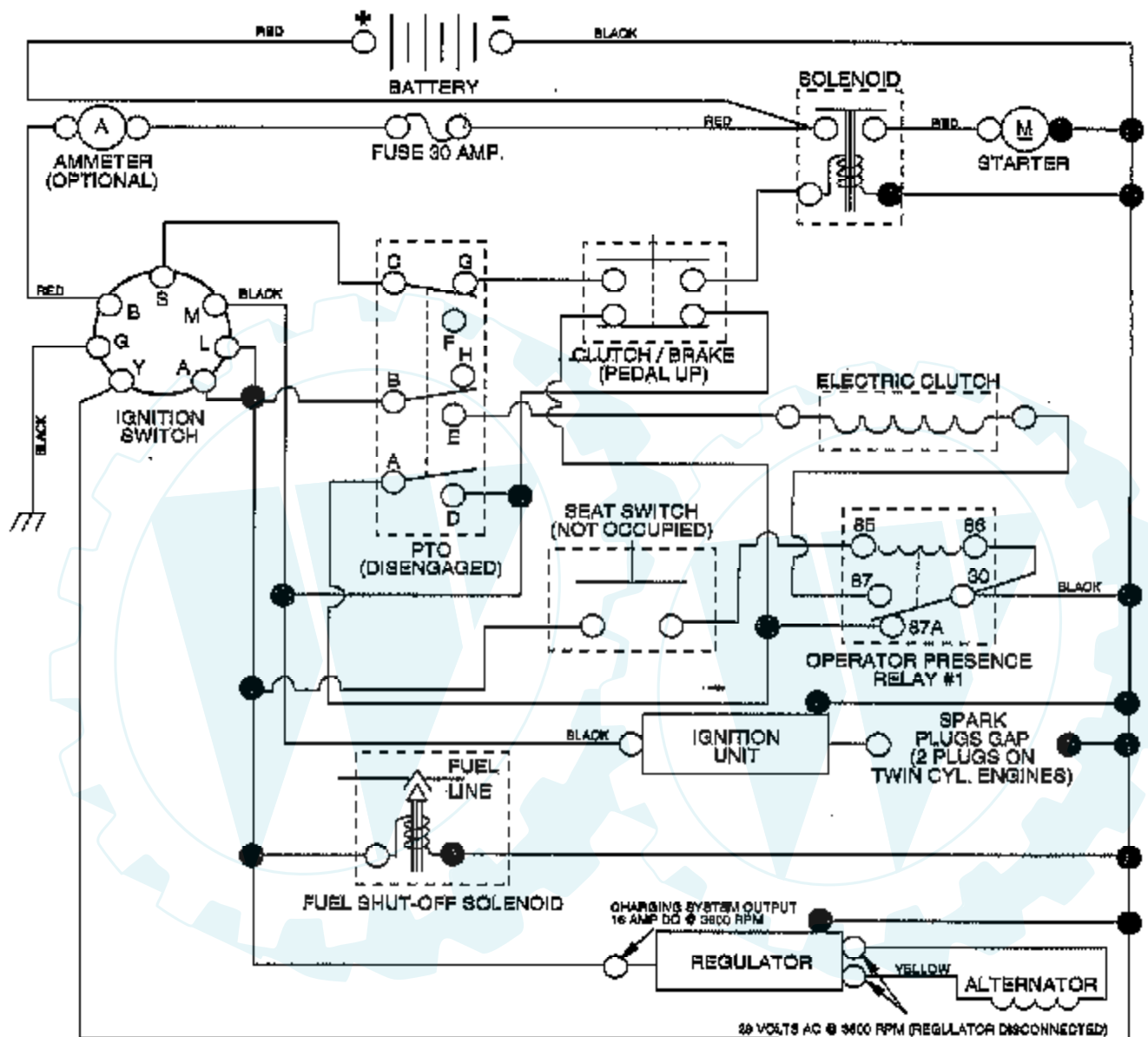
| Ref # | Part Number | Qty | Description          |
|-------|-------------|-----|----------------------|
| 1     | 156990      |     | "DECK ASM-50""       |
| 2     | 73680500    |     | SUB= 73690500        |
| 3     | 72110506    |     | SUB= 72270506        |
| 4     | 7631J       |     | RUNNER-LH M          |
| 5     | 138457      |     | BRKT.ASM.SW.44/50    |
| 6     | 4939M       |     | SUB= 85902           |
| 7     | 130832      |     | SUB= 130833          |
| 8     | 850857      |     | BLADE BOLT           |
| 9     | 10030600    |     | SUB= 10040600        |
| 10    | 140296      |     | WASHER.HARD.BLADE    |
| 11    | 137380      |     | "BLADE.50"" HD"      |
| 12    | 129895      |     | BEARING.BALL         |
| 13    | 137553      |     | SHAFT.ASM.W/BRNG     |
| 14    | 137152      |     | HOUSING.MAND.44.V    |
| 15    | 110485X     |     | BEARING              |
| 16    | 140329      |     | STRIPPER RND MWR     |
| 17    | 106735X     |     | ROD-HINGE T          |
| 18    | 19111016    |     | WASHER               |
| 19    | 105304X     |     | CAP-SLEEVE LT        |
| 20    | 123713X     |     | SPRING TORSION       |
| 21    | 137607      |     | BRKT DEFLECTOR       |
| 22    | 110452X     |     | NUT PUSH M           |
| 23    | 110509X     |     | DEFLECTOR            |
| 24    | 136320      |     | "RUNNER RH 50"" DK"  |
| 25    | 19111216    |     | WASHER M             |
| 27    | 19131316    |     | WASHER               |
| 28    | 132823      |     | SUB= 532132823       |
| 29    | 73800600    |     | NUT                  |
| 30    | 157722      |     | "SCREW-THD ROLL,WA"  |
| 31    | 137266      |     | SUB= 139729          |
| 32    | 153535      |     | PULLEY.MANDREL.42    |
| 33    | 129963      |     | WASHER               |
| 34    | 72140610    |     | BOLT.3/8-14X1.25     |
| 35    | 72110616    |     | BOLT                 |
| 36    | 72110608    |     | BOLT D               |
| 37    | 137166      |     | STIFFENER.ARM.IDL    |
| 38    | 156085      |     | "KEEPER-BELT,IDLER"  |
| 39    | 131494      |     | FLAT IDLER PULLEY    |
| 40    | 136572      |     | "PULLEY.DRIVEN.44""  |
| 42    | 72140506    |     | BOLT                 |
| 43    | 136460      |     | "ARM.IDLER.SEC.44""  |
| 44    | 122052X     |     | SPACER RETAINER      |
| 45    | 73680600    |     | SUB= 73690600        |
| 46    | 74760628    |     | BOLT                 |
| 47    | 137200      |     | "COVER.MAND.RH.44""  |
| 48    | 137729      |     | SCREW.1/4-20X5/8     |
| 49    | 136574      |     | COVER.MANDREL.LH     |
| 50    | 137272      |     | ARM.IDLER.PRIMARY    |
| 51    | 137273      |     | "SPRING.SEC.44""VEN" |
| 52    | 139245      |     | PULLEY.IDLER.VGRO    |
| 53    | 137789      |     | SHIELD.IDLER.44.V    |
| 54    | 139573      |     | BELT V PRIM 50       |
| 55    | 144959      |     | BELT-V.SEC.46.KEL    |
| 56    | 138687      |     | SPRING.EXT.DECK.     |
| 57    | 136577      |     | BAR.ASM.GUAGE.WHL    |
| 58    | 133957      |     | WHEEL GAGE DONUT     |
| 59    | 137644      |     | BOLT SHOULDER        |
| 60    | 139031      |     | PIN.CLEVIS           |

| Ref # | Part Number | Qty | Description         |
|-------|-------------|-----|---------------------|
| 61    | 136573      |     | BRACKET.GUAGE.WHL   |
| 62    | 133943      |     | HARDENED WASHER     |
| 63    | 72110612    |     | BOLT.3/8-16X1.50    |
| 64    | 19121414    |     | WASHER              |
| 65    | 151831      |     | PULLEY IDELR FLAT   |
| 66    | 156009      |     | "KEEPER-BELT,IDLER" |
| 67    | 73930600    |     | LOCKNUT             |
| 94    | 74760616    |     | BOLT                |
| 95    | 132274      |     | SUB= 532132274      |
| 96    | 132273      |     | SUB= 532132273      |
| 97    | 19171416    |     | WASHER              |
| 98    | 132264      |     | SUB= 532132264      |
| 99    | 72110614    |     | BOLT                |
| 102   | 153390      |     | WASHER.FELT.        |
|       | 143651      |     | MANDREL SERV ASM    |
|       | 158330      |     | "DECK SERV 50" ELC" |



# TRACTOR - - MODEL NUMBER AYP8209A79

## SCHEMATIC



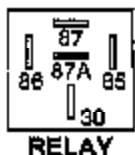
**IGNITION SWITCH**

| POSITION  | CIRCUIT   | "MAKE" |
|-----------|-----------|--------|
| OFF       | G + M + L | NONE   |
| RUN/LIGHT | B + L     | A + Y  |
| RUN       | B + L     | NONE   |
| START     | B + L + S | NONE   |

**NOTE**  
YOUR TRACTOR IS EQUIPPED WITH A SPECIAL ALTERNATOR SYSTEM. THE LIGHTS ARE NOT CONNECTED TO THE BATTERY, BUT HAVE THEIR OWN ELECTRICAL SOURCE. BECAUSE OF THIS, THE BRIGHTNESS OF THE LIGHTS WILL CHANGE WITH ENGINE SPEED. AT IDLE THE LIGHTS WILL DIM. AS THE ENGINE IS SPEEDED UP, THE LIGHTS WILL BECOME THEIR BRIGHTEST.

**WIRING INSULATED CLIPS**

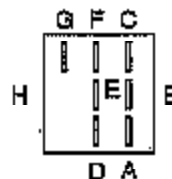
**NOTE:** IF WIRING INSULATED CLIPS WERE REMOVED FOR SERVICING OF UNIT, THEY SHOULD BE REPLACED TO PROPERLY SECURE YOUR WIRING.



**RELAY**

**PTO SWITCH**

| POSITION | CIRCUIT             |
|----------|---------------------|
| OFF      | C + G, B + H        |
| ON       | C + F, B + E, A + D |



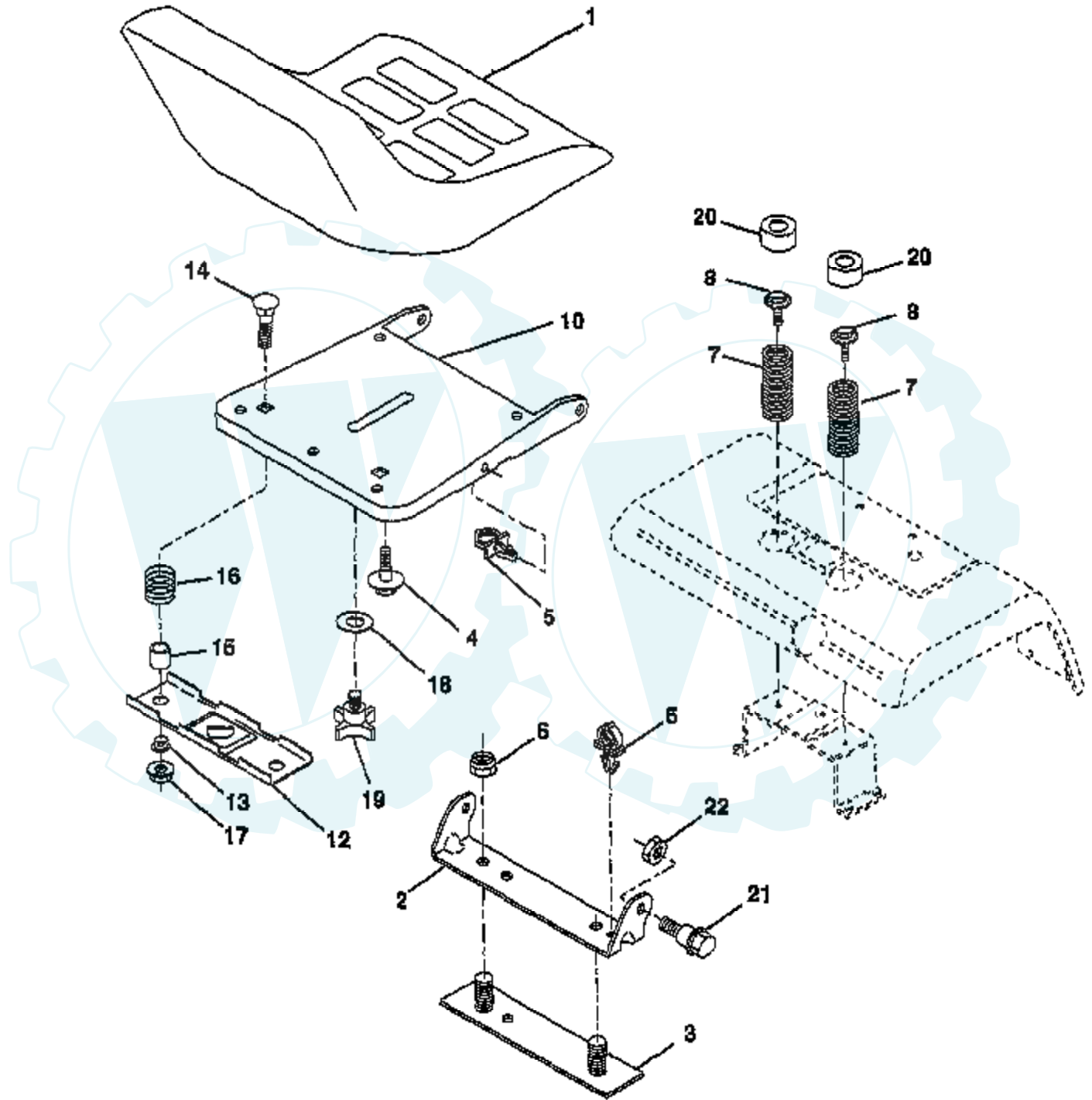
REMOVABLE CONNECTIONS

NON-REMOVABLE CONNECTIONS

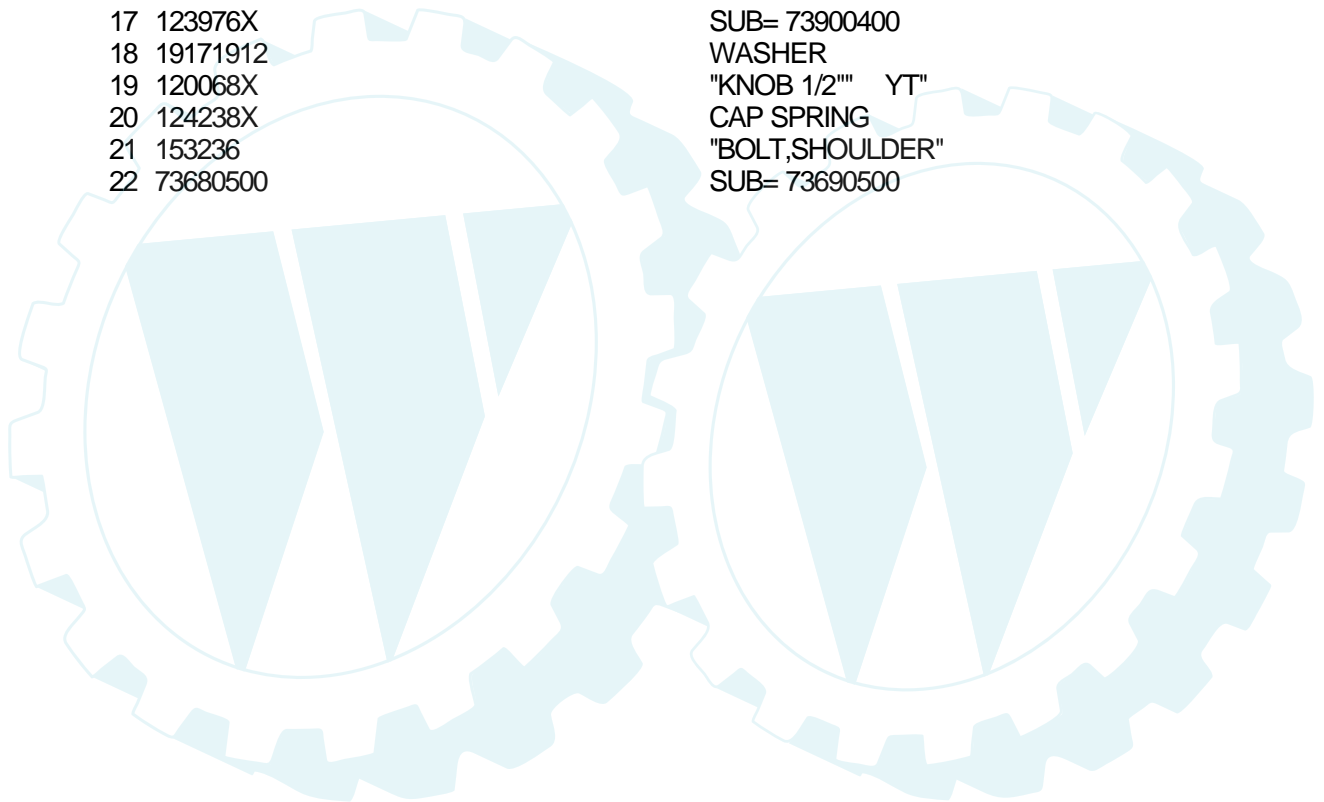
## TRACTOR - - MODEL NUMBER AYP8209A89

### SEAT ASSEMBLY

**NOTE:** All component dimensions given in U.S. inches  
1 inch = 25.4 mm

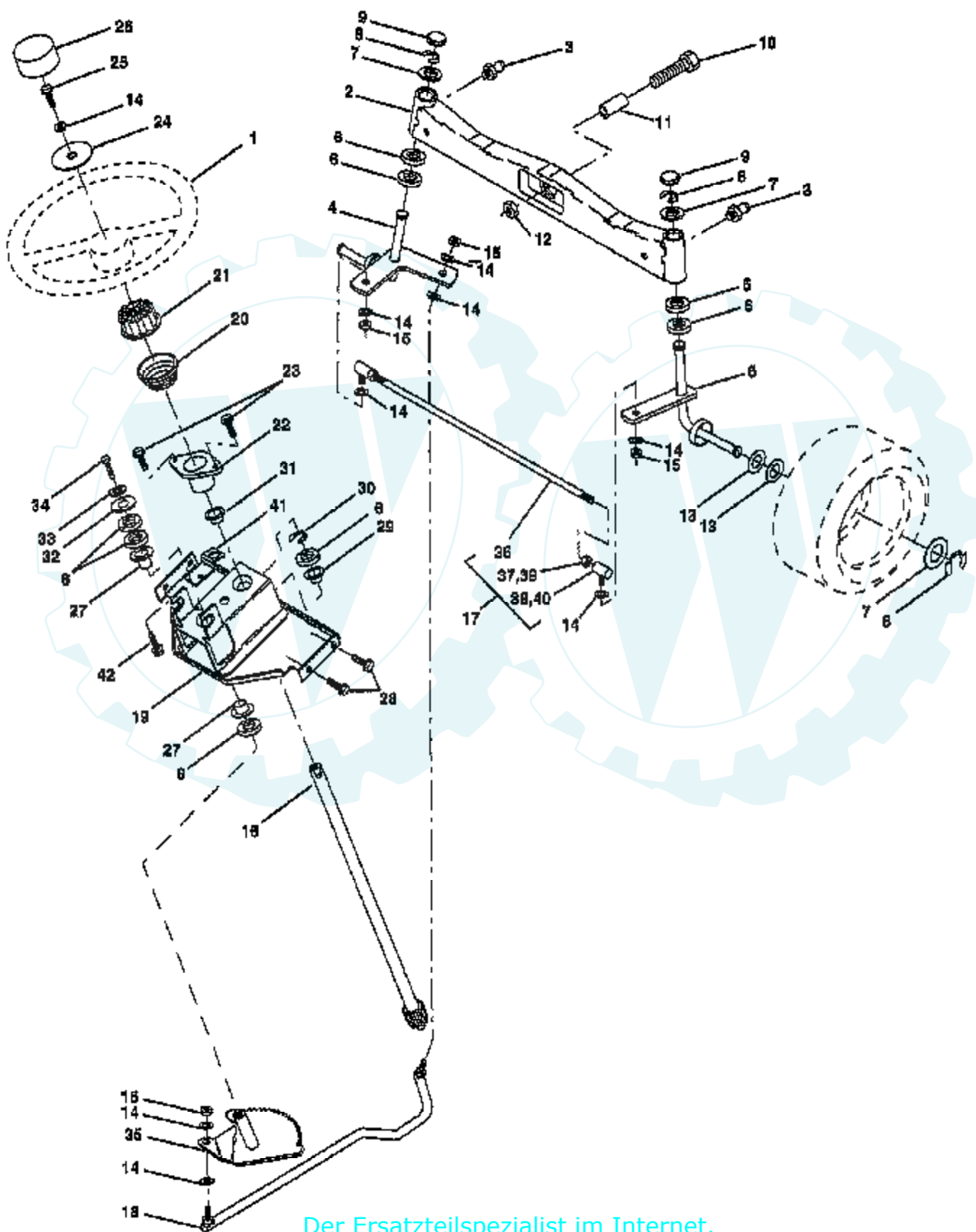


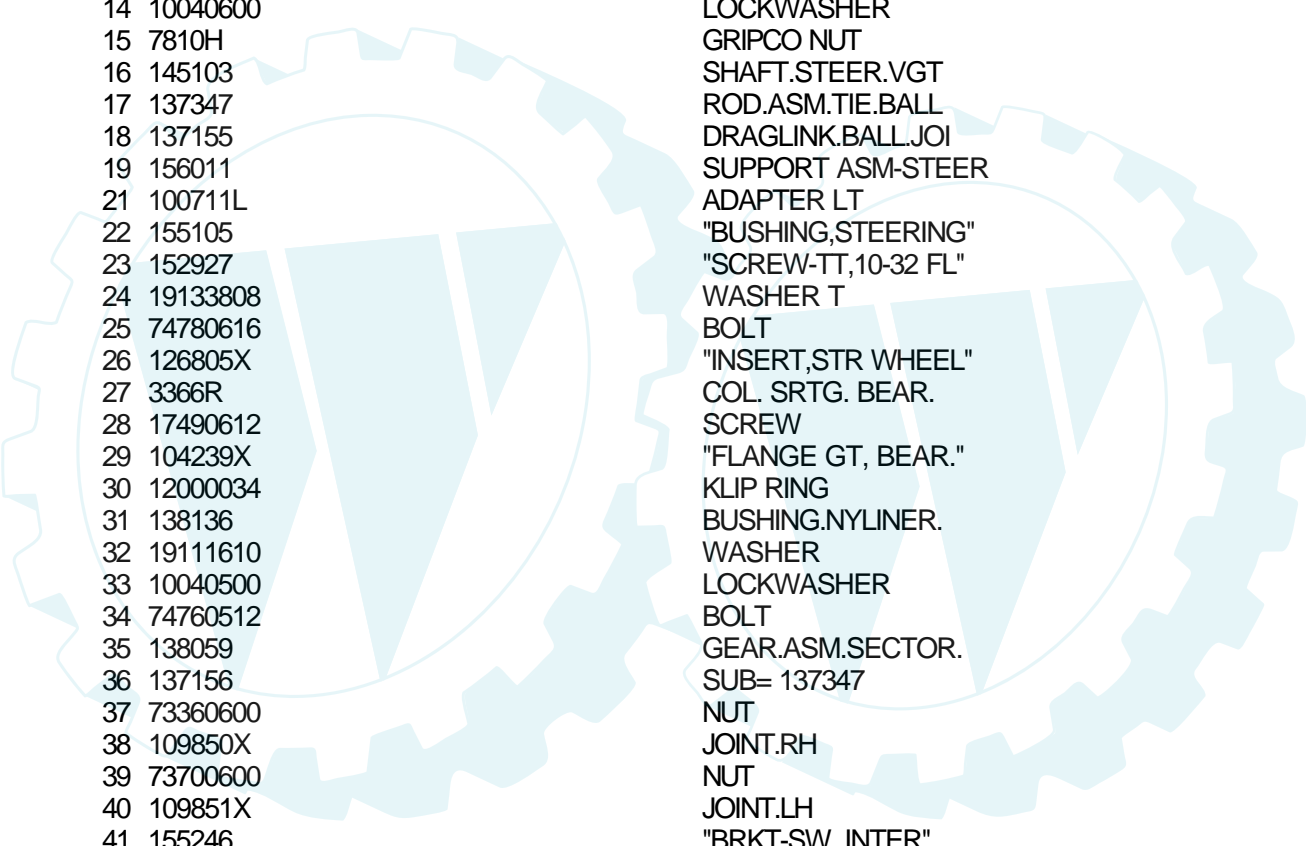
| Ref # | Part Number | Qty | Description       |
|-------|-------------|-----|-------------------|
| 1     | 127440      |     | SUB= 140121       |
| 2     | 140551      |     | BRACKET PVT SEAT  |
| 3     | 140675      |     | STRAP ASM FENDER  |
| 4     | 127018X     |     | "BOLT,SHOULDER"   |
| 5     | 145006      |     | CLIP.PUSH-IN.HING |
| 6     | 73800600    |     | NUT               |
| 7     | 124181X     |     | SPRING COMPRESSIO |
| 8     | 150176      |     | BOLT.5/16-18.UNC  |
| 10    | 155925      |     | PAN-SEAT          |
| 12    | 121246X     |     | BRKT SWITCH       |
| 13    | 121248X     |     | BUSHING           |
| 14    | 72050412    |     | BOLT-RD HD SQ NK  |
| 15    | 121249X     |     | SPACER SPLIT      |
| 16    | 123740X     |     | SPRING COMPRESSED |
| 17    | 123976X     |     | SUB= 73900400     |
| 18    | 19171912    |     | WASHER            |
| 19    | 120068X     |     | "KNOB 1/2"" YT"   |
| 20    | 124238X     |     | CAP SPRING        |
| 21    | 153236      |     | "BOLT,SHOULDER"   |
| 22    | 73680500    |     | SUB= 73690500     |



# TRACTOR - - MODEL NUMBER AYP8209A89

## STEERING ASSEMBLY

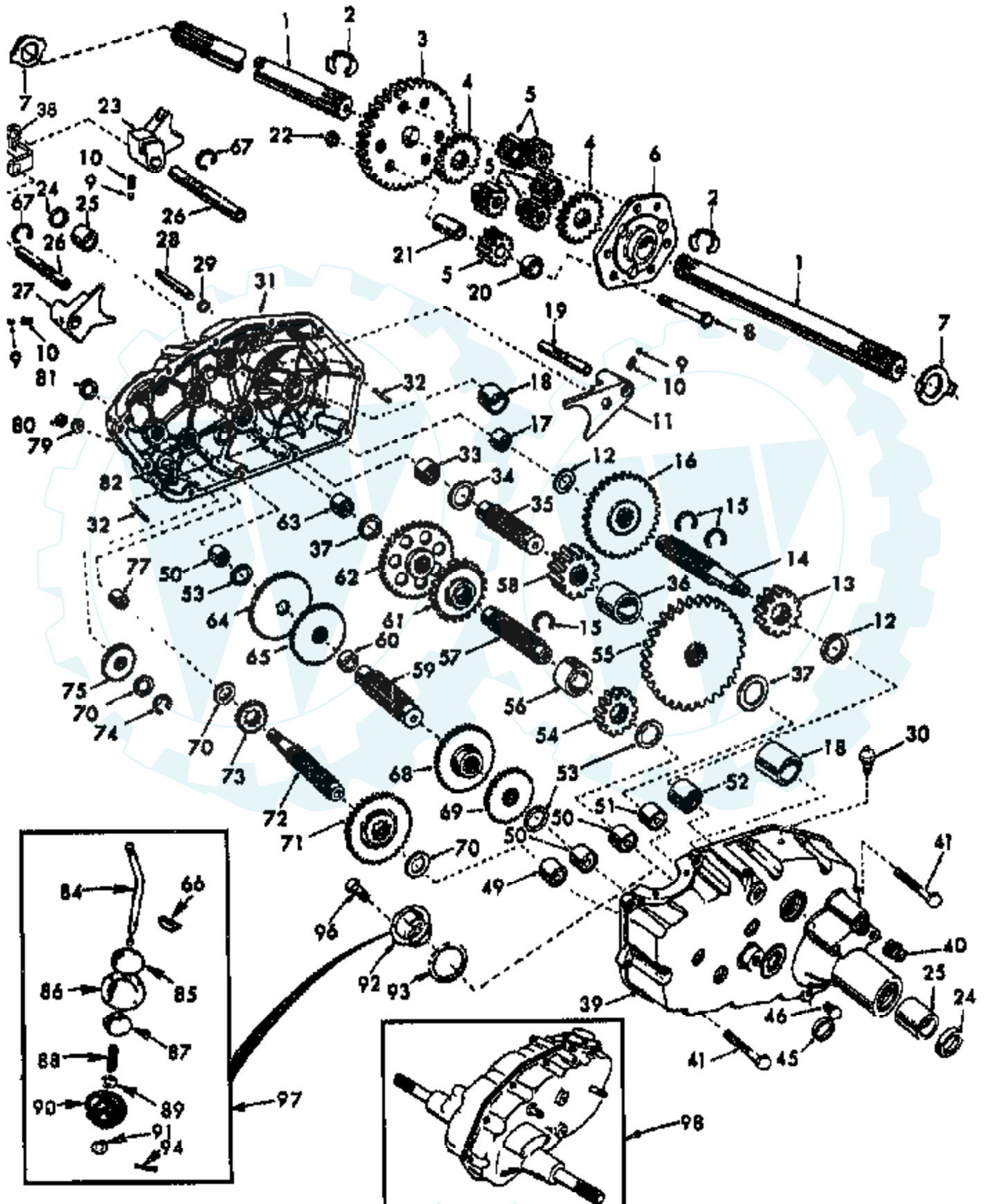




| Ref # | Part Number | Qty | Description         |
|-------|-------------|-----|---------------------|
| 1     | 121472X     |     | SUB= 150546         |
| 2     | 137094      |     | SUB= 532137094      |
| 3     | 6855M       |     | ZERK M              |
| 4     | 161849      |     | SPINDLE ASM LH      |
| 5     | 161848      |     | SPINDLE ASM RH      |
| 6     | 6266H       |     | WASHER .T           |
| 7     | 121748X     |     | WASHER              |
| 8     | 12000029    |     | RING                |
| 9     | 121232X     |     | CAP                 |
| 10    | 74781044    |     | BOLT                |
| 11    | 136518      |     | SPACER BEARING      |
| 12    | 73901000    |     | "NUT-LOC,FLANGE LT" |
| 13    | 121749X     |     | WASHER              |
| 14    | 10040600    |     | LOCKWASHER          |
| 15    | 7810H       |     | GRIPCO NUT          |
| 16    | 145103      |     | SHAFT.STEER.VGT     |
| 17    | 137347      |     | ROD.ASM.TIE.BALL    |
| 18    | 137155      |     | DRAGLINK.BALL.JOI   |
| 19    | 156011      |     | SUPPORT ASM-STEER   |
| 21    | 100711L     |     | ADAPTER LT          |
| 22    | 155105      |     | "BUSHING,STEERING"  |
| 23    | 152927      |     | "SCREW-TT,10-32 FL" |
| 24    | 19133808    |     | WASHER T            |
| 25    | 74780616    |     | BOLT                |
| 26    | 126805X     |     | "INSERT,STR WHEEL"  |
| 27    | 3366R       |     | COL. SRTG. BEAR.    |
| 28    | 17490612    |     | SCREW               |
| 29    | 104239X     |     | "FLANGE GT, BEAR."  |
| 30    | 12000034    |     | KLIP RING           |
| 31    | 138136      |     | BUSHING.NYLINER.    |
| 32    | 19111610    |     | WASHER              |
| 33    | 10040500    |     | LOCKWASHER          |
| 34    | 74760512    |     | BOLT                |
| 35    | 138059      |     | GEAR.ASM.SECTOR.    |
| 36    | 137156      |     | SUB= 137347         |
| 37    | 73360600    |     | NUT                 |
| 38    | 109850X     |     | JOINT.RH            |
| 39    | 73700600    |     | NUT                 |
| 40    | 109851X     |     | JOINT.LH            |
| 41    | 155246      |     | "BRKT-SW, INTER"    |
| 42    |             |     | CHECK WITH SUPPLIER |

# TRACTOR -- MODEL NUMBER AYP8209A89

## TRANSAXLE



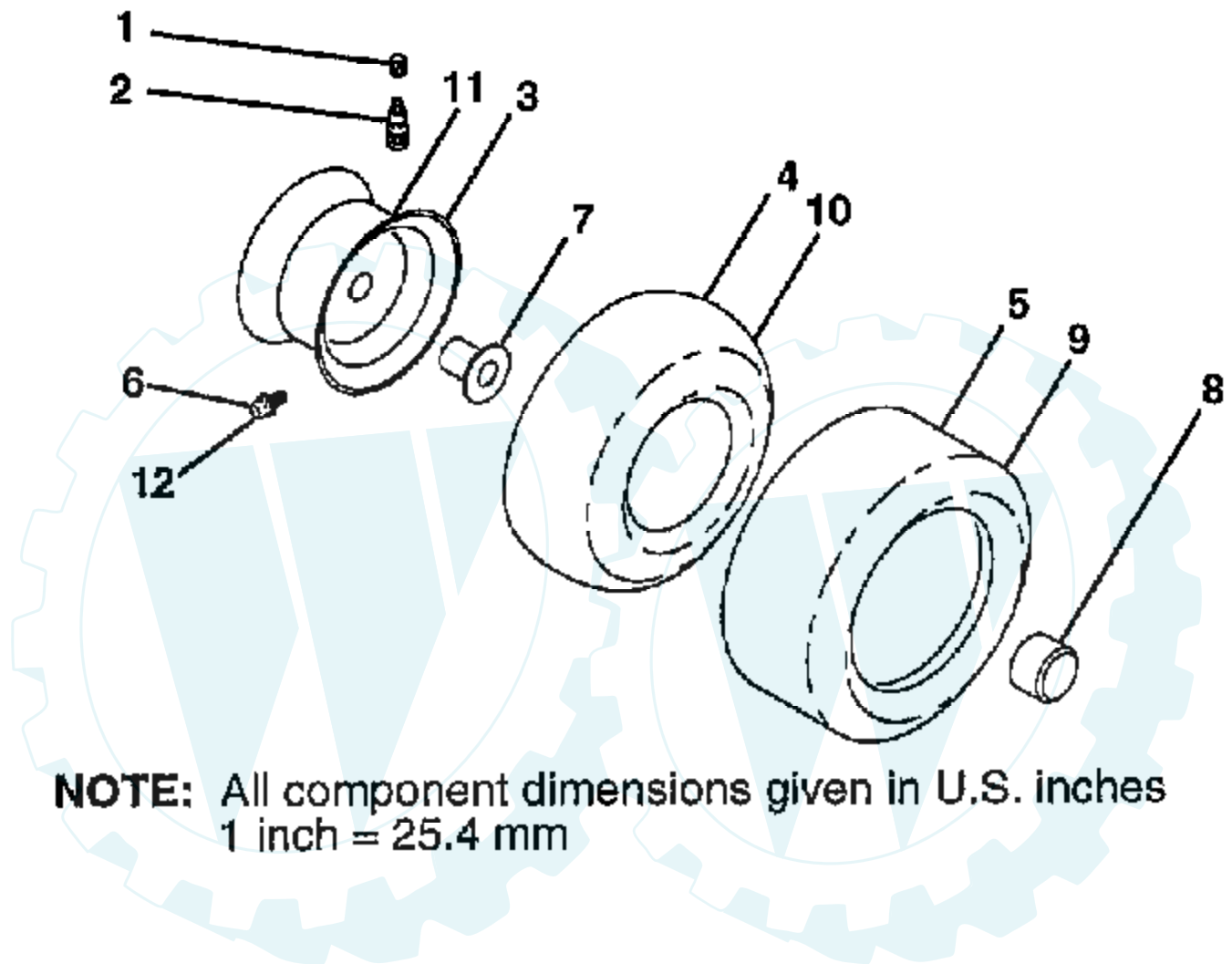


| Ref # | Part Number | Qty | Description        |
|-------|-------------|-----|--------------------|
| 1     | 4197R       |     | SHAFT.AXLE.T       |
| 2     | 12000034    |     | KLIP RING          |
| 3     | 4199R       |     | FINAL GEAR T       |
| 4     | 4216R       |     | DIFF GEAR T        |
| 5     | 4215R       |     | DIFF PINION T      |
| 6     | 4217R       |     | DIFF CARRIER T     |
| 7     | 6256H       |     | WASHER T           |
| 8     | 74020652    |     | BOLT               |
| 9     | 7392M       |     | SUB= 100482K       |
| 10    | 137261      |     | SUB= 145359        |
| 11    | 4985R       |     | SHIFT FORK T       |
| 12    | 6266H       |     | WASHER .T          |
| 13    | 4212R       |     | RED PINION T       |
| 14    | 137125      |     | SHAFT BRAKE GT     |
| 15    | 6276H       |     | SNAP RING T        |
| 16    | 633A63      |     | GEAR T             |
| 17    | 8118M       |     | "T, BEARING"       |
| 18    | 8740H1      |     | BEARING            |
| 19    | 122238X     |     | SHAFT              |
| 20    | 4218R       |     | SPACER T           |
| 21    | 6252H1      |     | PINION RS          |
| 22    | 7810H       |     | GRIPCO NUT         |
| 23    | 6262H       |     | FORK T             |
| 24    | 7393R       |     | OIL SEAL STD       |
| 25    | 992R1       |     | BRNG. T            |
| 26    | 139111      |     | SHIFT FORK SHAFT   |
| 27    | 4986R       |     | SHIFT FORK T       |
| 28    | 122254X     |     | SHIFT SHAFT        |
| 29    | 6269H       |     | SEAL T             |
| 30    | 5855H       |     | VALVE M            |
| 31    | 139538      |     | GEARCASE RH W/BER  |
| 32    | 6277H       |     | PIN T              |
| 33    | 4225R       |     | NEEDLE BRNG T      |
| 34    | 7396H       |     | RACE T             |
| 35    | 4198R       |     | GEAR SHAFT T       |
| 36    | 4200R       |     | SUB= 532004200     |
| 37    | 7395H       |     | RACE T             |
| 38    | 160789      |     | GAT.LOWE.SHIFT.VGT |
| 39    | 139536      |     | GEARCASE LH W/BER  |
| 40    | 13320400    |     | PLUG PIPE          |
| 41    | 17580520    |     | BOLT.5/16-18X1.25  |
| 45    | 6271H       |     | SEAL T             |
| 46    | 13060200    |     | SUB= 13020200      |
| 49    | 4895H       |     | "TI, BEARING"      |
| 50    | 4222R       |     | NEEDLE BRNG T      |
| 51    | 1529R       |     | NEEDLE BRNG T      |
| 52    | 8119M       |     | "STD, BEARING"     |
| 53    | 4220R       |     | BRNG RACE          |
| 54    | 4209R       |     | RED PINION T       |
| 55    | 4213R       |     | RED GEAR T         |
| 56    | 4442R       |     | PINION SPACER T    |
| 57    | 4195R       |     | GEAR SHAFT T       |
| 58    | 4214R       |     | FINAL PINION T     |
| 59    | 4194R       |     | GEAR SHAFT T       |
| 60    | 7528R       |     | SPACER T           |
| 61    | 4208R       |     | RED PINION T       |
| 62    | 4207R       |     | RED GEAR T         |
| 63    | 7398H       |     | RACE T             |

| Ref # | Part Number | Qty | Description       |
|-------|-------------|-----|-------------------|
| 64    | 4203R       |     | LOW SPEED GEA T   |
| 65    | 4204R       |     | REVERSE GEAR T    |
| 66    | 2898J       |     | KEY T             |
| 67    | 12000033    |     | KLIP RING         |
| 68    | 4205R       |     | INTERMED GEAR T   |
| 69    | 4206R       |     | SUB= 532004206    |
| 70    | 1370H       |     | "T, BEARING"      |
| 71    | 633A69      |     | CLUSTER GEAR T    |
| 72    | 139120      |     | SHAFT INPUT       |
| 73    | 4201R       |     | LO SPEED PINION T |
| 74    | 12000008    |     | KLIP RING         |
| 75    | 1153R       |     | IDLER GEAR T      |
| 77    | 6803J       |     | NEEDLE BEARING TI |
| 79    | 1167R       |     | WASHER T          |
| 80    | 73360700    |     | NUT               |
| 81    | 6270H       |     | SEAL STD          |
| 82    | 136984      |     | SHAFT REVERSE IDL |
| 84    | 5384J       |     | GEAR SHIFT LVR T  |
| 85    | 2978J       |     | CAP T             |
| 86    | 633A85      |     | COVER AND PIN T   |
| 87    | 8739H1      |     | GUIDE BALL T      |
| 88    | 4924H       |     | SPRING TI         |
| 89    | 19151516    |     | WASHER            |
| 90    | 110542X     |     | SEAL T            |
| 91    | 19181511    |     | WASHER            |
| 92    | 75J         |     | GEAR SHIFT GA T   |
| 93    | 6274H       |     | GASKET T          |
| 94    | 76020412    |     | COTTER PIN        |
| 96    | 74760514    |     | BOLT              |
| 97    | 633A109     |     | GEAR SHFT LVR T   |
| 98    | 140332      |     | SUB= 161823       |

# TRACTOR - - MODEL NUMBER AYP8209A89

## WHEELS & TIRES



**NOTE:** All component dimensions given in U.S. inches  
1 inch = 25.4 mm

| Ref # | Part Number | Qty | Description              |
|-------|-------------|-----|--------------------------|
| 1     | 59192       |     | VALVE CAP                |
| 2     | 65139       |     | VALVE STEM LT            |
| 3     | 106228X427  |     | "RIM ASM 8"" FRT"        |
| 4     | 8134H       |     | TUBE.16X6.5/7.5-8        |
| 5     | 106230X     |     | SUB= 122075X             |
| 6     | 278H        |     | FITTING LT               |
| 7     | 9040H       |     | "FLANGE, BEARING"        |
| 8     | 104757X     |     | HUB CAP                  |
| 9     | 105588X     |     | SUB= 122077X             |
| 10    | 7154J       |     | TUBE.23X8/10-12          |
| 11    | 106277X427  |     | "RIM ASM 12"" REAR"      |
| 12    | 6856M       |     | ZERK FITTING M           |
|       | 144334      |     | SEALANT.TIRE 10 OZ. TUBE |

