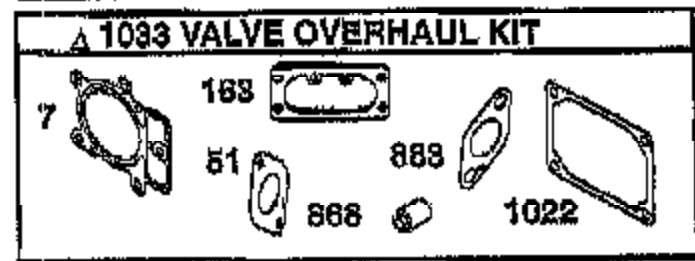
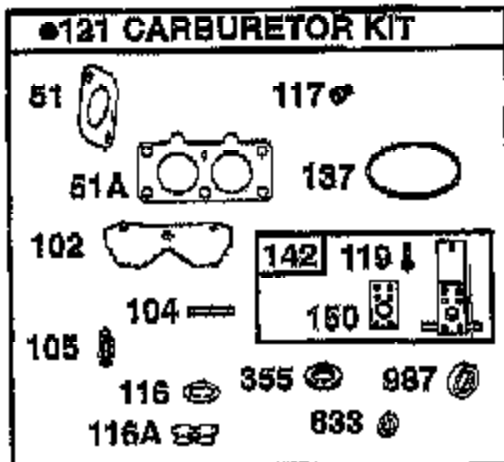
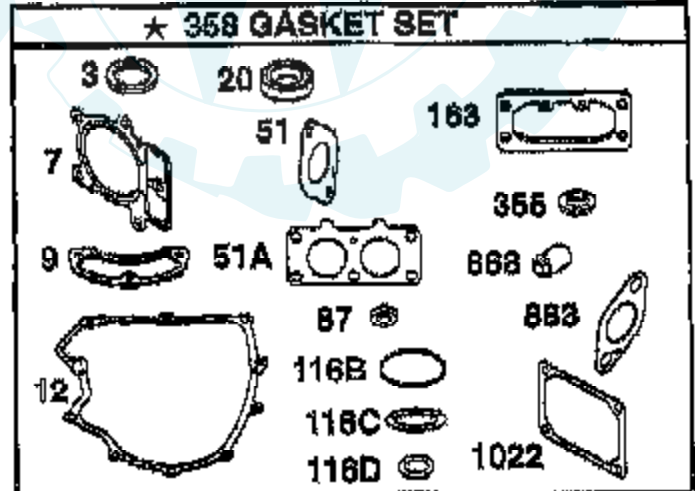
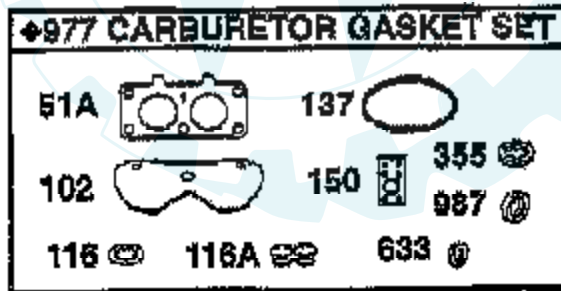
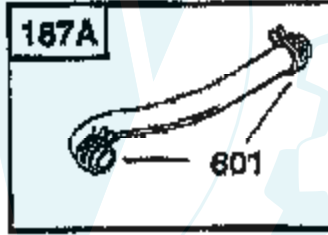
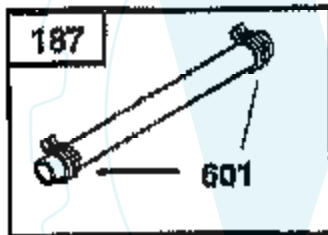
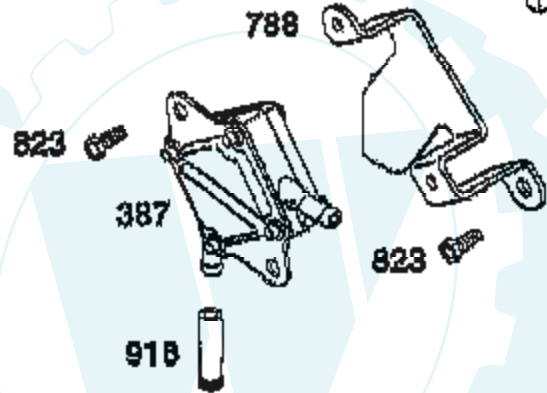
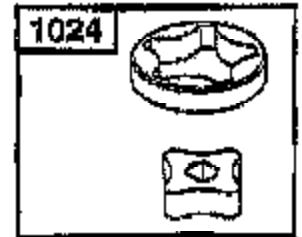
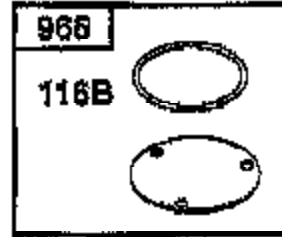
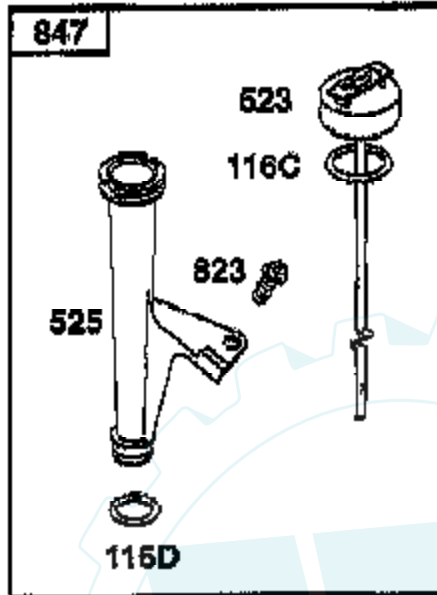


**TRACTOR - - MODEL NUMBER AYP8188A89**

**BRIGGS AND STRATTON ENGINE - MODEL NUMBER 407777, TYPE NUMBER 0120-E1**

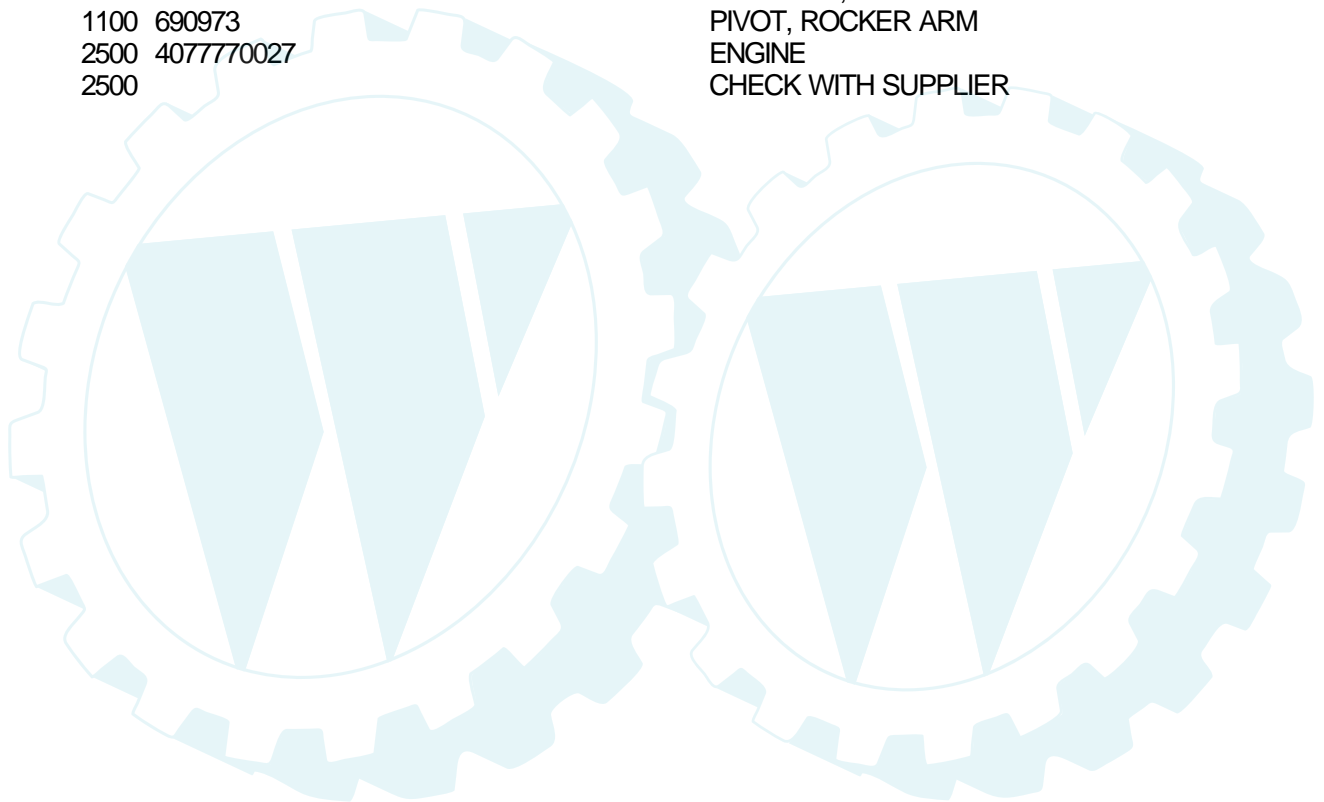


Ref #	Part Number	Qty	Description
1	499584		CYLINDER ASSY
2	499585		BUSHING CYLINDER
3	690926		SEAL OIL
4	690069		SUMP ENGINE
5	499587		HEAD CYLINDER NO. 1
5A	499595		HEAD CYLINDER NO. 2
6	690097		WASHER FLAT
7	690962		GASKET, CYLINDER HEAD
8	499601		BREATHER ASSY
9	690937		GASKET BREATHER
10	691003		SCREW, HEX
11	690942		TUBE, BREATHER
12			CHECK WITH SUPPLIER
13	690360		SCREW, CYLINDER HEAD (3-9/16")
15	690946		PLUG, OIL DRAIN
16	691046		CRANKSHAFT
20	690947		SEAL OIL
22	690308		SCREW, CRANKCASE COVER
23	691053		FLYWHEEL
24	690974		KEY, FLYWHEEL
25	499588		PISTON ASSY (STD)
25	499589		PISTON ASSY (.010" O.S.)
25	499590		PISTON ASSY (.020" O.S.)
25	499591		PISTON ASSY (.030" O.S.)
26	499604		RING SET, PISTON (STD.)
26	499605		RING SET, PISTON (.010" O.S.)
26	499606		RING SET, PISTON (.020" O.S.)
26	499607		RING SET, PISTON (.030" O.S.)
27	690975		LOCK, PISTON PIN
28	499582		PIN ASSY, PISTON
29	499583		ROD ASSY, CONNECTING
32	690976		SCREW, CONNECTING ROD
33	499596		VALVE, EXHAUST
34	499597		VALVE, INTAKE
35	690963		SPRING, VALVE
40	690964		RETAINER, VALVE
42	499586		KEEPER VALVE
45	690977		TAPPET, VALVE
46	690978		GEAR, CAM
50	690948		MANIFOLD, INTAKE
51	690949		GASKET, CARB. MOUNTING
51A	690950		GASKET, INTAKE MANIFOLD
53	690951		STUD, CARB. MOUNTING
73	691055		SCREEN, ROTATING
75	691056		WASHER, SPRING
78	691057		SCREW, TORX
87	690657		SEAL, GOVERNOR SHAFT
89	690238		PLUG, OIL
95	690718		SCREW, SLOTTED
98	499802		SCREW, IDLE SPEED
102	690234		GASKET, PLATE
104	690984		PIN, FLOAT HINGE
105	690985		VALVE, NEEDLE
108	690986		VALVE, CHOKE
110	691261		WASHER
116	690987		O-RING, SOLENOID RETAINER
116A	690988		O-RING, FUEL TRANSFER TUBE
116B	690589		SEAL, O-RING (OIL PUMP COVER)

Ref #	Part Number	Qty	Description
116C	691031		SEAL, O-RING (DIPSTICK)
116D	691032		SEAL, O-RING (OIL FILTER TUBE)
117	690232		JET, MAIN (STANDARD)
119	690990		SCREW, PHILLIPS
119A	690991		SCREW, PHILLIPS
119B	690992		SCREW, PHILLIPS
119C	690720		SCREW, PHILLIPS
121	499811		CARBURETOR OVERHAUL KIT
122	690952		SPACER, CARBURETOR
125	499804		CARBURETOR
130	690993		VALVE, THROTTLE
131	499805		SHAFT, THROTTLE
133	499806		FLOAT, CARBURETOR
135	499803		TUBE, FUEL TRANSFER
137	690994		GASKET, FLOAT BOWL
141	499807		SHAFT CHOKE
142	499808		NOZZLE, CARBURETOR
146	94388		TIMING GEAR KEY
150	281767		GASKET, NOZZLE
160	690996		RETAINER, SOLENOID
163	691001		GASKET, AIR CLEANER
176	691033		SCREW, T-30
187	691050		LINE, FUEL
187A	691049		LINE, FUEL
188	691058		SCREW, HEX
190	690953		SCREW, TORX HEX
192	690083		ADJUSTER, ROCKER ARM
195	690954		NIPPLE
209	690018		SPRING, GOVERNOR
211	690019		SPRING, GOVERNED IDLE
212	691020		LINK, THROTTLE
213	691021		BRACKET, CHOKE CONTROL
216	691022		LINK, CHOKE
219	394348		GEAR, GOVERNOR
220	690412		WASHER, THRUST
222	691023		PLATE, GOVERNOR CONTROL
227	691048		LEVER ASSY, GOVERNOR
240	691035		FILTER, FUEL
252	690956		ELEMENT, BREATHER
256	690957		RETAINER, ELEMENT
258	691003		SCREW, HEX
265	691024		CLAMP, CASING
277	691029		NUT, HEX
304	691004		HOUSING, BLOWER
305	691005		SCREW, HEX
309	691262		MOTOR, STARTER
310	691263		SCREW, HEX
311	691264		BRUSH, SET
332	690059		NUT, FLYWHEEL
333	691060		ARMATURE, MAGNETO
334	691061		SCREW, ARMATURE MOUNTING
337	691043		SPARK PLUG
351	691044		SCREW, HEX
355	690997		WASHER, SEAL
358	499889		GASKET SET
363	691062		FLYWHEEL, PULLER
383	690966		WRENCH, SPARK PLUG
387	691034		PUMP, FUEL

Ref #	Part Number	Qty	Description
445	691007		CARTRIDGE, AIR CLEANER
467	691008		NUT, AIR CLEANER
474	691063		ALTERNATOR
482	691183		SCREW, HEX
510	497606		DRIVE, STARTER
523	691036		DIPSTICK, OIL
525	691037		TUBE, OIL FILL
544			REFER TO IMAGE
552	690552		BUSHING, GOVERNOR CRANK
552A	690553		BUSHING, GOVERNOR CRANK
556	690967		SCREW, HEX
562	690311		BOLT, CARRIAGE
573	691009		PLATE, BLACK
592	690958		NUT, HEX
592A	691029		NUT, HEX
601	691038		CLAMP, FUEL LINE
615	690328		RETAINER, GOVERNOR
615A	690317		RETAINER, GOVERNOR
615B	691265		RETAINER
616	691045		CRANK, GOVERNOR
633	690998		SEAL, CHOKE SHAFT
634	690442		WASHER, FLAT
635	691210		BOOT, SPARK PLUG
668	691215		SPACER
703	690010		CLIP, HOSE
718	690959		DOWEL, SLEEVE
726	499612		GEAR, RING
728	690372		SCREW, TORX
741	690980		GEAR, TIMING
783	691280		GEAR, STARTER
788	691039		BRACKET, PUMP
789	691220		HARNESS, WIRING
801	691283		CAP, DRIVE
802	691286		CAP, END
803			REFER TO IMAGE
823	690960		SCREW, HEX
847	499602		DIPSTICK/TUBE ASSY
851	691234		TERMINAL, IGNITION CABLE
855	691011		ADAPTER, AIR
865	691012		COVER, AIR GUIDE
865A	691013		COVER, AIR GUIDE
865B	691015		COVER, AIR GUIDE
868	690968		SEAL, VALVE
871	690969		BUSHING, GUIDE
878	691237		WIRE, ALTERNATOR
881	690999		PLATE, COVER
883	690970		GASKET, EXHAUST
918	691040		HOSE, VACUUM
947	499809		SOLENOID, FUEL
965	499613		COVER, OIL PUMP
967	691016		FILTER, PRE-CLEANER
968	499788		COVER, AIR CLEANER
975	499810		BOWL, FLOAT
977	499812		GASKET SET, CARBURETOR
987	691000		SEAL, THROTTLE SHAFT
1005	691243		FAN, FLYWHEEL
1006	691247		RETAINER, FAN
1017	690770		SCREEN, OIL PUMP

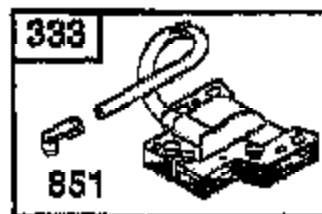
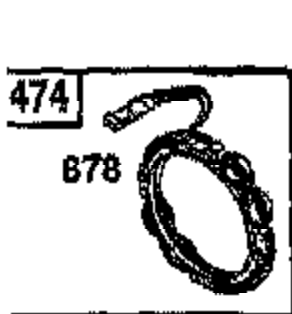
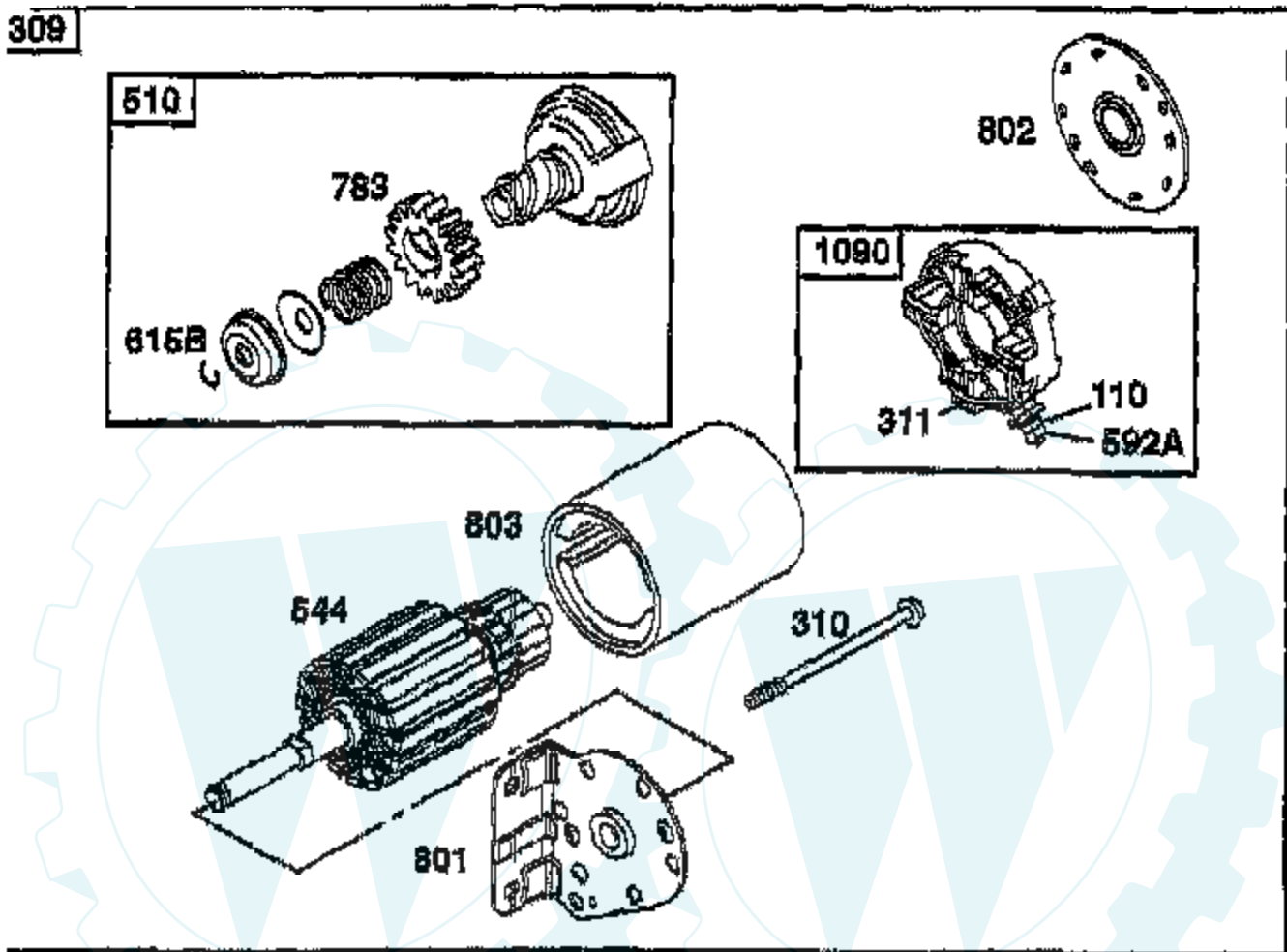
Ref #	Part Number	Qty	Description
1019	690103		LABEL KIT
1022	690971		GASKET, ROCKER COVER
1023	499599		COVER, ROCKER (CYL. NO.1)
1023A	499600		COVER, ROCKER (CYL. NO.2)
1024	499054		PUMP, OIL
1026	690981		ROD, PUSH (STEEL)
1026A	690982		ROD, PUSH (ALUMINUM)
1027	690041		FILTER, OIL
1029	690972		ARM, ROCKER
1033	499890		VALVE OVERHAUL KIT
1035	691042		SHAFT, OIL PUMP
1036	499783		LABEL KIT, EMISSION
1058	273694		OWNER'S MANUAL
1090	691293		RETAINER, BRUSH
1100	690973		PIVOT, ROCKER ARM
2500	4077770027		ENGINE
2500			CHECK WITH SUPPLIER



**TRACTOR - - MODEL NUMBER AYP8188A89**

**BRIGGS AND STRATTON ENGINE - MODEL NUMBER 407777, TYPE NUMBER 0120-E1**

**309**



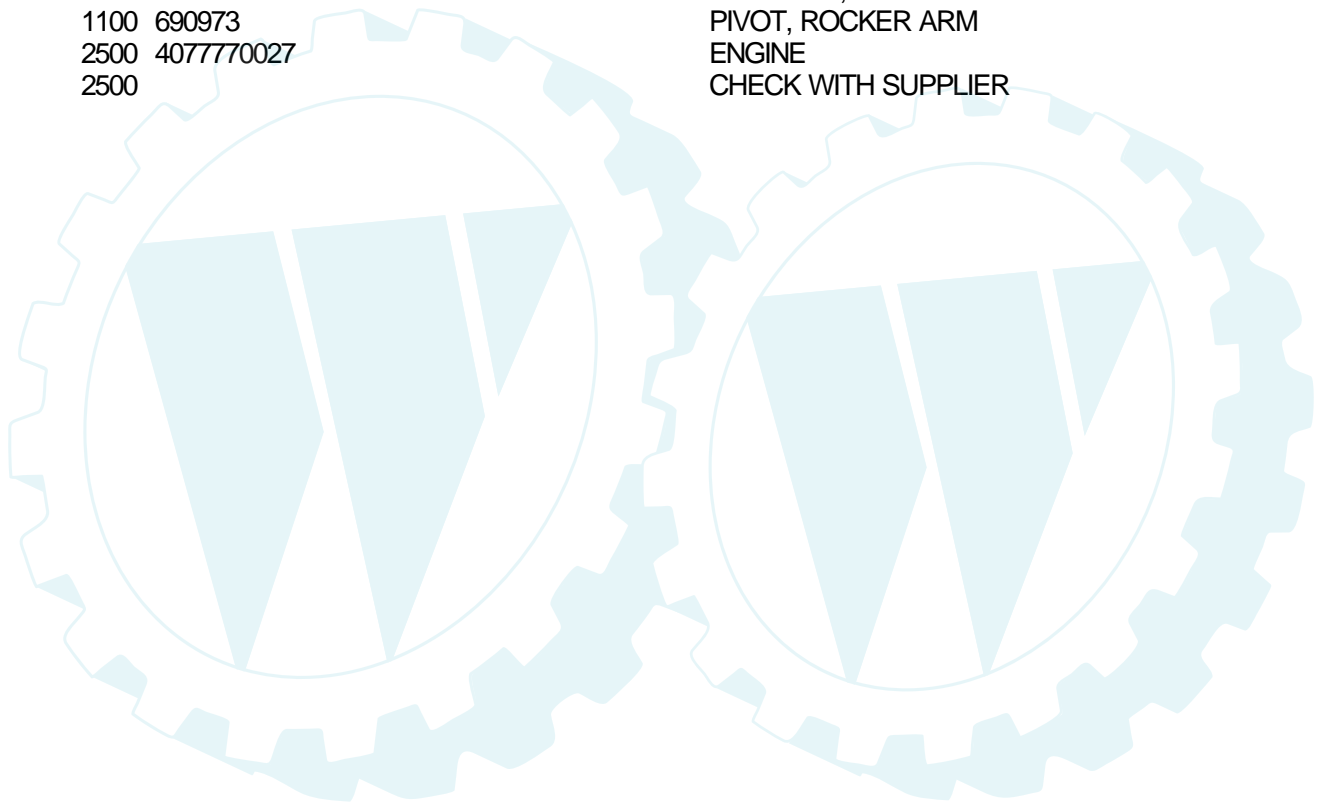
Ref #	Part Number	Qty	Description
	1 499584		CYLINDER ASSY
	2 499585		BUSHING CYLINDER
	3 690926		SEAL OIL
	4 690069		SUMP ENGINE
	5 499587		HEAD CYLINDER NO. 1
	5A 499595		HEAD CYLINDER NO. 2
	6 690097		WASHER FLAT
	7 690962		GASKET, CYLINDER HEAD
	8 499601		BREATHER ASSY
	9 690937		GASKET BREATHER
	10 691003		SCREW, HEX
	11 690942		TUBE, BREATHER
	12		CHECK WITH SUPPLIER
	13 690360		SCREW, CYLINDER HEAD (3-9/16")
	15 690946		PLUG, OIL DRAIN
	16 691046		CRANKSHAFT
	20 690947		SEAL OIL
	22 690308		SCREW, CRANKCASE COVER
	23 691053		FLYWHEEL
	24 690974		KEY, FLYWHEEL
	25 499588		PISTON ASSY (STD)
	25 499589		PISTON ASSY (.010" O.S.)
	25 499590		PISTON ASSY (.020" O.S.)
	25 499591		PISTON ASSY (.030" O.S.)
	26 499604		RING SET, PISTON (STD.)
	26 499605		RING SET, PISTON (.010" O.S.)
	26 499606		RING SET, PISTON (.020" O.S.)
	26 499607		RING SET, PISTON (.030" O.S.)
	27 690975		LOCK, PISTON PIN
	28 499582		PIN ASSY, PISTON
	29 499583		ROD ASSY, CONNECTING
	32 690976		SCREW, CONNECTING ROD
	33 499596		VALVE, EXHAUST
	34 499597		VALVE, INTAKE
	35 690963		SPRING, VALVE
	40 690964		RETAINER, VALVE
	42 499586		KEEPER VALVE
	45 690977		TAPPET, VALVE
	46 690978		GEAR, CAM
	50 690948		MANIFOLD, INTAKE
	51 690949		GASKET, CARB. MOUNTING
	51A 690950		GASKET, INTAKE MANIFOLD
	53 690951		STUD, CARB. MOUNTING
	73 691055		SCREEN, ROTATING
	75 691056		WASHER, SPRING
	78 691057		SCREW, TORX
	87 690657		SEAL, GOVERNOR SHAFT
	89 690238		PLUG, OIL
	95 690718		SCREW, SLOTTED
	98 499802		SCREW, IDLE SPEED
	102 690234		GASKET, PLATE
	104 690984		PIN, FLOAT HINGE
	105 690985		VALVE, NEEDLE
	108 690986		VALVE, CHOKE
	110 691261		WASHER
	116 690987		O-RING, SOLENOID RETAINER
	116A 690988		O-RING, FUEL TRANSFER TUBE
	116B 690589		SEAL, O-RING (OIL PUMP COVER)

Ref #	Part Number	Qty	Description
116C	691031		SEAL, O-RING (DIPSTICK)
116D	691032		SEAL, O-RING (OIL FILTER TUBE)
117	690232		JET, MAIN (STANDARD)
119	690990		SCREW, PHILLIPS
119A	690991		SCREW, PHILLIPS
119B	690992		SCREW, PHILLIPS
119C	690720		SCREW, PHILLIPS
121	499811		CARBURETOR OVERHAUL KIT
122	690952		SPACER, CARBURETOR
125	499804		CARBURETOR
130	690993		VALVE, THROTTLE
131	499805		SHAFT, THROTTLE
133	499806		FLOAT, CARBURETOR
135	499803		TUBE, FUEL TRANSFER
137	690994		GASKET, FLOAT BOWL
141	499807		SHAFT CHOKE
142	499808		NOZZLE, CARBURETOR
146	94388		TIMING GEAR KEY
150	281767		GASKET, NOZZLE
160	690996		RETAINER, SOLENOID
163	691001		GASKET, AIR CLEANER
176	691033		SCREW, T-30
187	691050		LINE, FUEL
187A	691049		LINE, FUEL
188	691058		SCREW, HEX
190	690953		SCREW, TORX HEX
192	690083		ADJUSTER, ROCKER ARM
195	690954		NIPPLE
209	690018		SPRING, GOVERNOR
211	690019		SPRING, GOVERNED IDLE
212	691020		LINK, THROTTLE
213	691021		BRACKET, CHOKE CONTROL
216	691022		LINK, CHOKE
219	394348		GEAR, GOVERNOR
220	690412		WASHER, THRUST
222	691023		PLATE, GOVERNOR CONTROL
227	691048		LEVER ASSY, GOVERNOR
240	691035		FILTER, FUEL
252	690956		ELEMENT, BREATHER
256	690957		RETAINER, ELEMENT
258	691003		SCREW, HEX
265	691024		CLAMP, CASING
277	691029		NUT, HEX
304	691004		HOUSING, BLOWER
305	691005		SCREW, HEX
309	691262		MOTOR, STARTER
310	691263		SCREW, HEX
311	691264		BRUSH, SET
332	690059		NUT, FLYWHEEL
333	691060		ARMATURE, MAGNETO
334	691061		SCREW, ARMATURE MOUNTING
337	691043		SPARK PLUG
351	691044		SCREW, HEX
355	690997		WASHER, SEAL
358	499889		GASKET SET
363	691062		FLYWHEEL, PULLER
383	690966		WRENCH, SPARK PLUG
387	691034		PUMP, FUEL



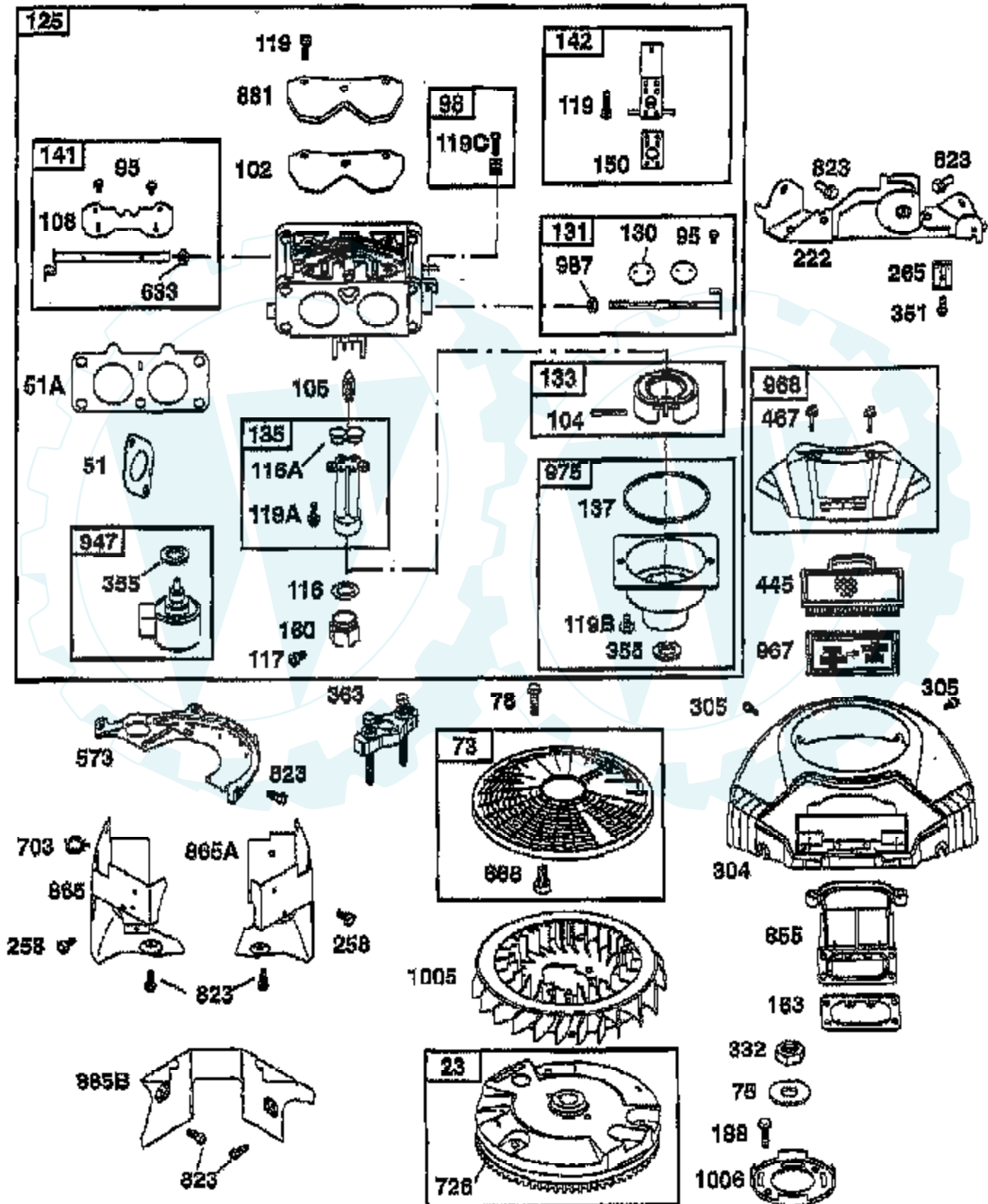
Ref #	Part Number	Qty	Description
445	691007		CARTRIDGE, AIR CLEANER
467	691008		NUT, AIR CLEANER
474	691063		ALTERNATOR
482	691183		SCREW, HEX
510	497606		DRIVE, STARTER
523	691036		DIPSTICK, OIL
525	691037		TUBE, OIL FILL
544			REFER TO IMAGE
552	690552		BUSHING, GOVERNOR CRANK
552A	690553		BUSHING, GOVERNOR CRANK
556	690967		SCREW, HEX
562	690311		BOLT, CARRIAGE
573	691009		PLATE, BLACK
592	690958		NUT, HEX
592A	691029		NUT, HEX
601	691038		CLAMP, FUEL LINE
615	690328		RETAINER, GOVERNOR
615A	690317		RETAINER, GOVERNOR
615B	691265		RETAINER
616	691045		CRANK, GOVERNOR
633	690998		SEAL, CHOKE SHAFT
634	690442		WASHER, FLAT
635	691210		BOOT, SPARK PLUG
668	691215		SPACER
703	690010		CLIP, HOSE
718	690959		DOWEL, SLEEVE
726	499612		GEAR, RING
728	690372		SCREW, TORX
741	690980		GEAR, TIMING
783	691280		GEAR, STARTER
788	691039		BRACKET, PUMP
789	691220		HARNESS, WIRING
801	691283		CAP, DRIVE
802	691286		CAP, END
803			REFER TO IMAGE
823	690960		SCREW, HEX
847	499602		DIPSTICK/TUBE ASSY
851	691234		TERMINAL, IGNITION CABLE
855	691011		ADAPTER, AIR
865	691012		COVER, AIR GUIDE
865A	691013		COVER, AIR GUIDE
865B	691015		COVER, AIR GUIDE
868	690968		SEAL, VALVE
871	690969		BUSHING, GUIDE
878	691237		WIRE, ALTERNATOR
881	690999		PLATE, COVER
883	690970		GASKET, EXHAUST
918	691040		HOSE, VACUUM
947	499809		SOLENOID, FUEL
965	499613		COVER, OIL PUMP
967	691016		FILTER, PRE-CLEANER
968	499788		COVER, AIR CLEANER
975	499810		BOWL, FLOAT
977	499812		GASKET SET, CARBURETOR
987	691000		SEAL, THROTTLE SHAFT
1005	691243		FAN, FLYWHEEL
1006	691247		RETAINER, FAN
1017	690770		SCREEN, OIL PUMP

Ref #	Part Number	Qty	Description
1019	690103		LABEL KIT
1022	690971		GASKET, ROCKER COVER
1023	499599		COVER, ROCKER (CYL. NO.1)
1023A	499600		COVER, ROCKER (CYL. NO.2)
1024	499054		PUMP, OIL
1026	690981		ROD, PUSH (STEEL)
1026A	690982		ROD, PUSH (ALUMINUM)
1027	690041		FILTER, OIL
1029	690972		ARM, ROCKER
1033	499890		VALVE OVERHAUL KIT
1035	691042		SHAFT, OIL PUMP
1036	499783		LABEL KIT, EMISSION
1058	273694		OWNER'S MANUAL
1090	691293		RETAINER, BRUSH
1100	690973		PIVOT, ROCKER ARM
2500	4077770027		ENGINE
2500			CHECK WITH SUPPLIER



### TRACTOR -- MODEL NUMBER AYP8188A89

BRIGGS AND STRATTON ENGINE - MODEL NUMBER 407777, TYPE NUMBER 0120-E1

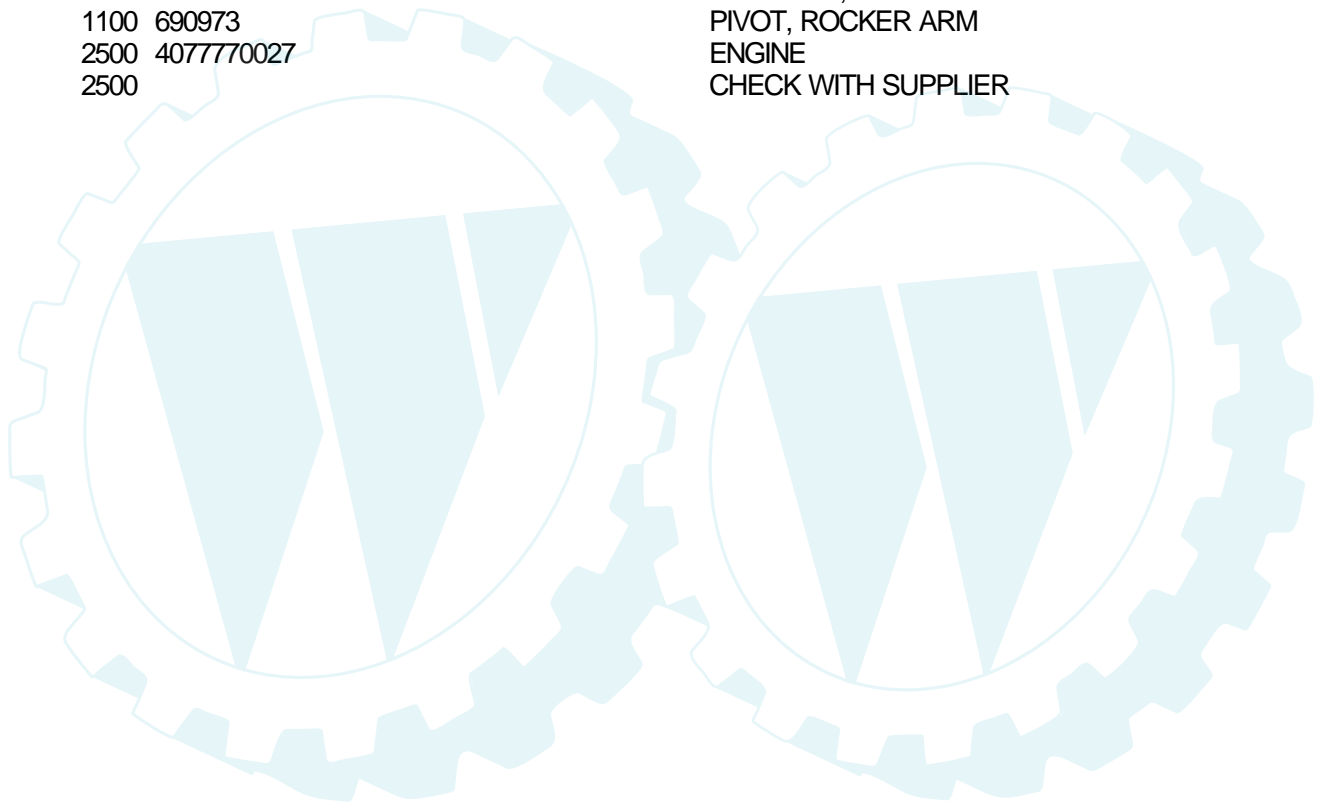


Ref #	Part Number	Qty	Description
1	499584		CYLINDER ASSY
2	499585		BUSHING CYLINDER
3	690926		SEAL OIL
4	690069		SUMP ENGINE
5	499587		HEAD CYLINDER NO. 1
5A	499595		HEAD CYLINDER NO. 2
6	690097		WASHER FLAT
7	690962		GASKET, CYLINDER HEAD
8	499601		BREATHER ASSY
9	690937		GASKET BREATHER
10	691003		SCREW, HEX
11	690942		TUBE, BREATHER
12			CHECK WITH SUPPLIER
13	690360		SCREW, CYLINDER HEAD (3-9/16")
15	690946		PLUG, OIL DRAIN
16	691046		CRANKSHAFT
20	690947		SEAL OIL
22	690308		SCREW, CRANKCASE COVER
23	691053		FLYWHEEL
24	690974		KEY, FLYWHEEL
25	499588		PISTON ASSY (STD)
25	499589		PISTON ASSY (.010" O.S.)
25	499590		PISTON ASSY (.020" O.S.)
25	499591		PISTON ASSY (.030" O.S.)
26	499604		RING SET, PISTON (STD.)
26	499605		RING SET, PISTON (.010" O.S.)
26	499606		RING SET, PISTON (.020" O.S.)
26	499607		RING SET, PISTON (.030" O.S.)
27	690975		LOCK, PISTON PIN
28	499582		PIN ASSY, PISTON
29	499583		ROD ASSY, CONNECTING
32	690976		SCREW, CONNECTING ROD
33	499596		VALVE, EXHAUST
34	499597		VALVE, INTAKE
35	690963		SPRING, VALVE
40	690964		RETAINER, VALVE
42	499586		KEEPER VALVE
45	690977		TAPPET, VALVE
46	690978		GEAR, CAM
50	690948		MANIFOLD, INTAKE
51	690949		GASKET, CARB. MOUNTING
51A	690950		GASKET, INTAKE MANIFOLD
53	690951		STUD, CARB. MOUNTING
73	691055		SCREEN, ROTATING
75	691056		WASHER, SPRING
78	691057		SCREW, TORX
87	690657		SEAL, GOVERNOR SHAFT
89	690238		PLUG, OIL
95	690718		SCREW, SLOTTED
98	499802		SCREW, IDLE SPEED
102	690234		GASKET, PLATE
104	690984		PIN, FLOAT HINGE
105	690985		VALVE, NEEDLE
108	690986		VALVE, CHOKE
110	691261		WASHER
116	690987		O-RING, SOLENOID RETAINER
116A	690988		O-RING, FUEL TRANSFER TUBE
116B	690589		SEAL, O-RING (OIL PUMP COVER)

Ref #	Part Number	Qty	Description
116C	691031		SEAL, O-RING (DIPSTICK)
116D	691032		SEAL, O-RING (OIL FILTER TUBE)
117	690232		JET, MAIN (STANDARD)
119	690990		SCREW, PHILLIPS
119A	690991		SCREW, PHILLIPS
119B	690992		SCREW, PHILLIPS
119C	690720		SCREW, PHILLIPS
121	499811		CARBURETOR OVERHAUL KIT
122	690952		SPACER, CARBURETOR
125	499804		CARBURETOR
130	690993		VALVE, THROTTLE
131	499805		SHAFT, THROTTLE
133	499806		FLOAT, CARBURETOR
135	499803		TUBE, FUEL TRANSFER
137	690994		GASKET, FLOAT BOWL
141	499807		SHAFT CHOKE
142	499808		NOZZLE, CARBURETOR
146	94388		TIMING GEAR KEY
150	281767		GASKET, NOZZLE
160	690996		RETAINER, SOLENOID
163	691001		GASKET, AIR CLEANER
176	691033		SCREW, T-30
187	691050		LINE, FUEL
187A	691049		LINE, FUEL
188	691058		SCREW, HEX
190	690953		SCREW, TORX HEX
192	690083		ADJUSTER, ROCKER ARM
195	690954		NIPPLE
209	690018		SPRING, GOVERNOR
211	690019		SPRING, GOVERNED IDLE
212	691020		LINK, THROTTLE
213	691021		BRACKET, CHOKE CONTROL
216	691022		LINK, CHOKE
219	394348		GEAR, GOVERNOR
220	690412		WASHER, THRUST
222	691023		PLATE, GOVERNOR CONTROL
227	691048		LEVER ASSY, GOVERNOR
240	691035		FILTER, FUEL
252	690956		ELEMENT, BREATHER
256	690957		RETAINER, ELEMENT
258	691003		SCREW, HEX
265	691024		CLAMP, CASING
277	691029		NUT, HEX
304	691004		HOUSING, BLOWER
305	691005		SCREW, HEX
309	691262		MOTOR, STARTER
310	691263		SCREW, HEX
311	691264		BRUSH, SET
332	690059		NUT, FLYWHEEL
333	691060		ARMATURE, MAGNETO
334	691061		SCREW, ARMATURE MOUNTING
337	691043		SPARK PLUG
351	691044		SCREW, HEX
355	690997		WASHER, SEAL
358	499889		GASKET SET
363	691062		FLYWHEEL, PULLER
383	690966		WRENCH, SPARK PLUG
387	691034		PUMP, FUEL

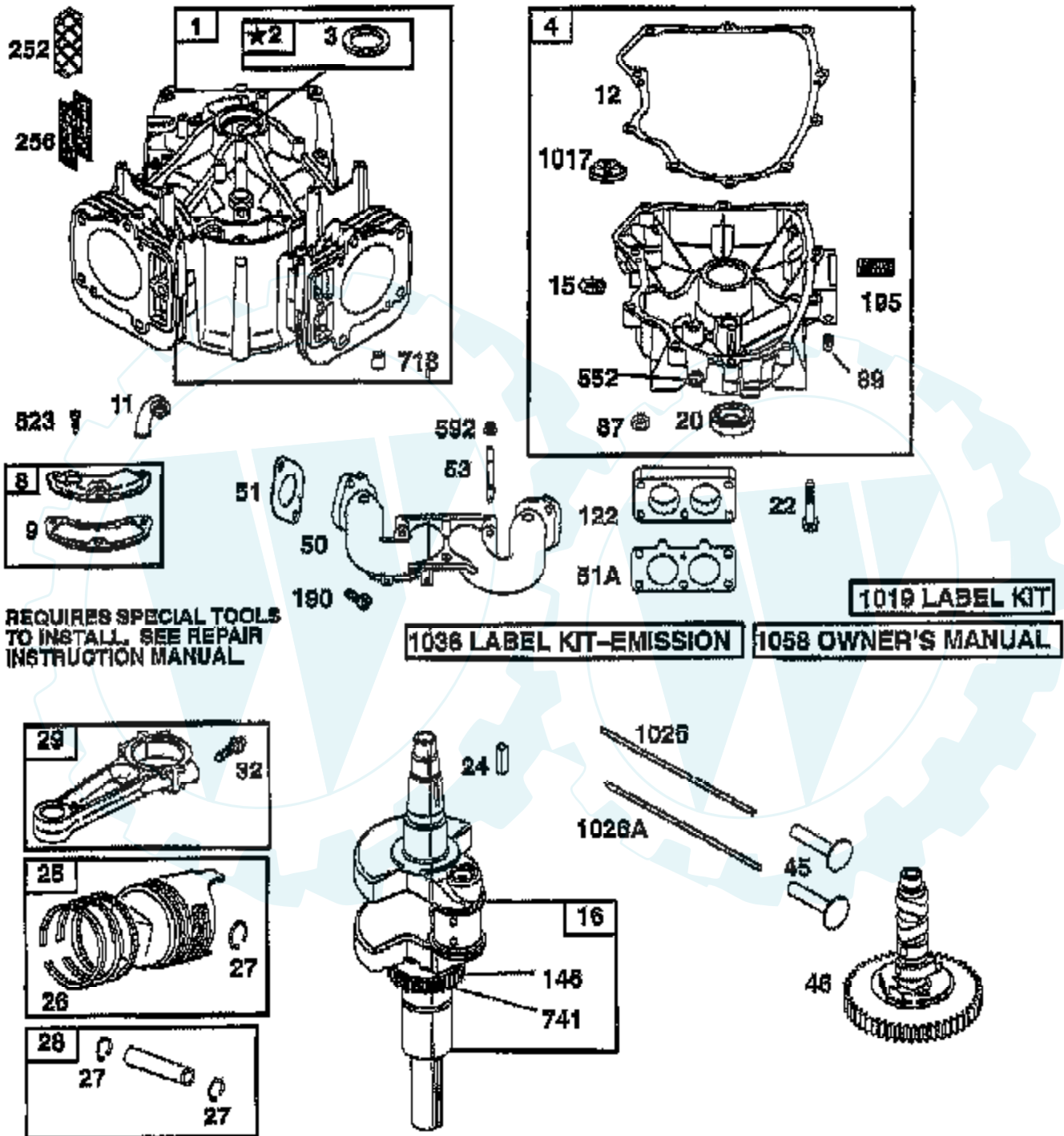
Ref #	Part Number	Qty	Description
445	691007		CARTRIDGE, AIR CLEANER
467	691008		NUT, AIR CLEANER
474	691063		ALTERNATOR
482	691183		SCREW, HEX
510	497606		DRIVE, STARTER
523	691036		DIPSTICK, OIL
525	691037		TUBE, OIL FILL
544			REFER TO IMAGE
552	690552		BUSHING, GOVERNOR CRANK
552A	690553		BUSHING, GOVERNOR CRANK
556	690967		SCREW, HEX
562	690311		BOLT, CARRIAGE
573	691009		PLATE, BLACK
592	690958		NUT, HEX
592A	691029		NUT, HEX
601	691038		CLAMP, FUEL LINE
615	690328		RETAINER, GOVERNOR
615A	690317		RETAINER, GOVERNOR
615B	691265		RETAINER
616	691045		CRANK, GOVERNOR
633	690998		SEAL, CHOKE SHAFT
634	690442		WASHER, FLAT
635	691210		BOOT, SPARK PLUG
668	691215		SPACER
703	690010		CLIP, HOSE
718	690959		DOWEL, SLEEVE
726	499612		GEAR, RING
728	690372		SCREW, TORX
741	690980		GEAR, TIMING
783	691280		GEAR, STARTER
788	691039		BRACKET, PUMP
789	691220		HARNESS, WIRING
801	691283		CAP, DRIVE
802	691286		CAP, END
803			REFER TO IMAGE
823	690960		SCREW, HEX
847	499602		DIPSTICK/TUBE ASSY
851	691234		TERMINAL, IGNITION CABLE
855	691011		ADAPTER, AIR
865	691012		COVER, AIR GUIDE
865A	691013		COVER, AIR GUIDE
865B	691015		COVER, AIR GUIDE
868	690968		SEAL, VALVE
871	690969		BUSHING, GUIDE
878	691237		WIRE, ALTERNATOR
881	690999		PLATE, COVER
883	690970		GASKET, EXHAUST
918	691040		HOSE, VACUUM
947	499809		SOLENOID, FUEL
965	499613		COVER, OIL PUMP
967	691016		FILTER, PRE-CLEANER
968	499788		COVER, AIR CLEANER
975	499810		BOWL, FLOAT
977	499812		GASKET SET, CARBURETOR
987	691000		SEAL, THROTTLE SHAFT
1005	691243		FAN, FLYWHEEL
1006	691247		RETAINER, FAN
1017	690770		SCREEN, OIL PUMP

Ref #	Part Number	Qty	Description
1019	690103		LABEL KIT
1022	690971		GASKET, ROCKER COVER
1023	499599		COVER, ROCKER (CYL. NO.1)
1023A	499600		COVER, ROCKER (CYL. NO.2)
1024	499054		PUMP, OIL
1026	690981		ROD, PUSH (STEEL)
1026A	690982		ROD, PUSH (ALUMINUM)
1027	690041		FILTER, OIL
1029	690972		ARM, ROCKER
1033	499890		VALVE OVERHAUL KIT
1035	691042		SHAFT, OIL PUMP
1036	499783		LABEL KIT, EMISSION
1058	273694		OWNER'S MANUAL
1090	691293		RETAINER, BRUSH
1100	690973		PIVOT, ROCKER ARM
2500	4077770027		ENGINE
2500			CHECK WITH SUPPLIER



### TRACTOR -- MODEL NUMBER AYP8188A89

BRIGGS AND STRATTON ENGINE - MODEL NUMBER 407777, TYPE NUMBER 0120-E1



\* REQUIRES SPECIAL TOOLS TO INSTALL. SEE REPAIR INSTRUCTION MANUAL

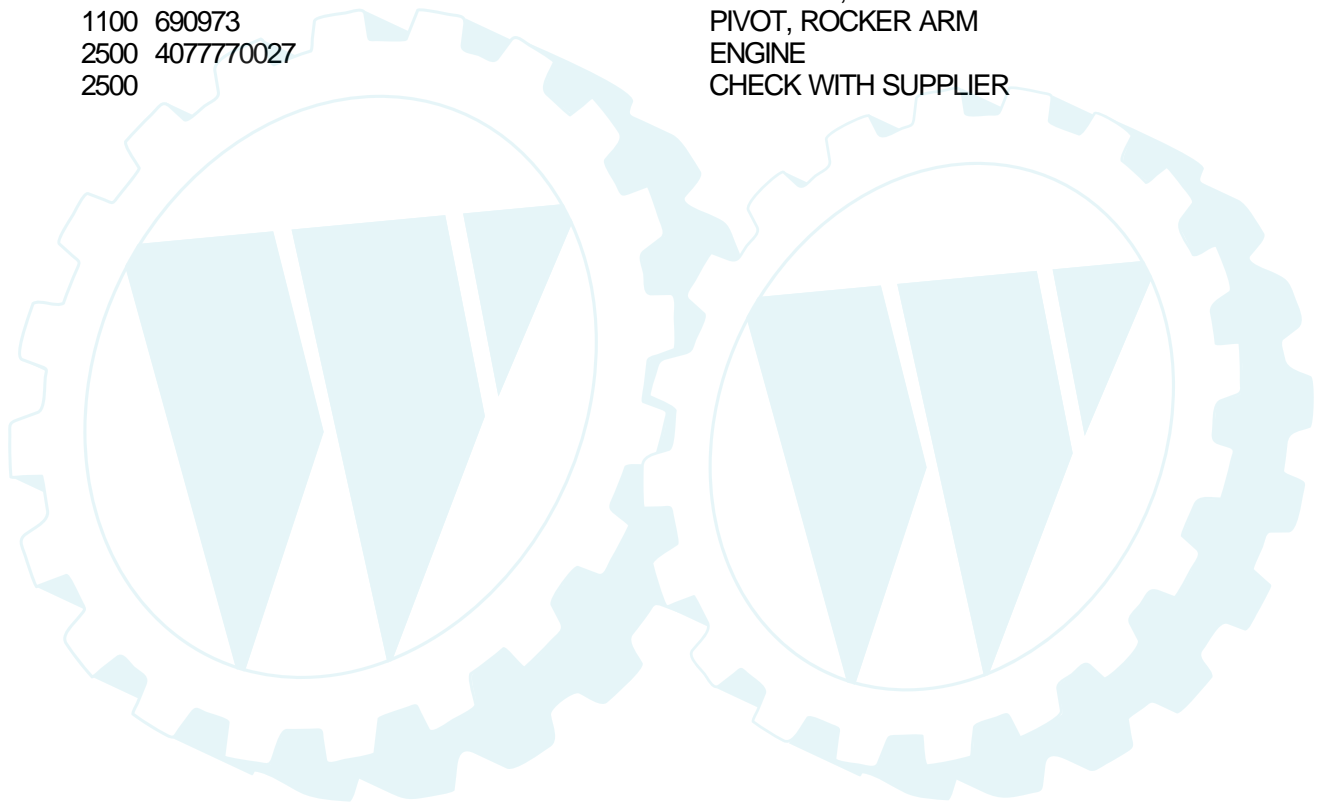


Ref #	Part Number	Qty	Description
1	499584		CYLINDER ASSY
2	499585		BUSHING CYLINDER
3	690926		SEAL OIL
4	690069		SUMP ENGINE
5	499587		HEAD CYLINDER NO. 1
5A	499595		HEAD CYLINDER NO. 2
6	690097		WASHER FLAT
7	690962		GASKET, CYLINDER HEAD
8	499601		BREATHER ASSY
9	690937		GASKET BREATHER
10	691003		SCREW, HEX
11	690942		TUBE, BREATHER
12			CHECK WITH SUPPLIER
13	690360		SCREW, CYLINDER HEAD (3-9/16")
15	690946		PLUG, OIL DRAIN
16	691046		CRANKSHAFT
20	690947		SEAL OIL
22	690308		SCREW, CRANKCASE COVER
23	691053		FLYWHEEL
24	690974		KEY, FLYWHEEL
25	499588		PISTON ASSY (STD)
25	499589		PISTON ASSY (.010" O.S.)
25	499590		PISTON ASSY (.020" O.S.)
25	499591		PISTON ASSY (.030" O.S.)
26	499604		RING SET, PISTON (STD.)
26	499605		RING SET, PISTON (.010" O.S.)
26	499606		RING SET, PISTON (.020" O.S.)
26	499607		RING SET, PISTON (.030" O.S.)
27	690975		LOCK, PISTON PIN
28	499582		PIN ASSY, PISTON
29	499583		ROD ASSY, CONNECTING
32	690976		SCREW, CONNECTING ROD
33	499596		VALVE, EXHAUST
34	499597		VALVE, INTAKE
35	690963		SPRING, VALVE
40	690964		RETAINER, VALVE
42	499586		KEEPER VALVE
45	690977		TAPPET, VALVE
46	690978		GEAR, CAM
50	690948		MANIFOLD, INTAKE
51	690949		GASKET, CARB. MOUNTING
51A	690950		GASKET, INTAKE MANIFOLD
53	690951		STUD, CARB. MOUNTING
73	691055		SCREEN, ROTATING
75	691056		WASHER, SPRING
78	691057		SCREW, TORX
87	690657		SEAL, GOVERNOR SHAFT
89	690238		PLUG, OIL
95	690718		SCREW, SLOTTED
98	499802		SCREW, IDLE SPEED
102	690234		GASKET, PLATE
104	690984		PIN, FLOAT HINGE
105	690985		VALVE, NEEDLE
108	690986		VALVE, CHOKE
110	691261		WASHER
116	690987		O-RING, SOLENOID RETAINER
116A	690988		O-RING, FUEL TRANSFER TUBE
116B	690589		SEAL, O-RING (OIL PUMP COVER)

Ref #	Part Number	Qty	Description
116C	691031		SEAL, O-RING (DIPSTICK)
116D	691032		SEAL, O-RING (OIL FILTER TUBE)
117	690232		JET, MAIN (STANDARD)
119	690990		SCREW, PHILLIPS
119A	690991		SCREW, PHILLIPS
119B	690992		SCREW, PHILLIPS
119C	690720		SCREW, PHILLIPS
121	499811		CARBURETOR OVERHAUL KIT
122	690952		SPACER, CARBURETOR
125	499804		CARBURETOR
130	690993		VALVE, THROTTLE
131	499805		SHAFT, THROTTLE
133	499806		FLOAT, CARBURETOR
135	499803		TUBE, FUEL TRANSFER
137	690994		GASKET, FLOAT BOWL
141	499807		SHAFT CHOKE
142	499808		NOZZLE, CARBURETOR
146	94388		TIMING GEAR KEY
150	281767		GASKET, NOZZLE
160	690996		RETAINER, SOLENOID
163	691001		GASKET, AIR CLEANER
176	691033		SCREW, T-30
187	691050		LINE, FUEL
187A	691049		LINE, FUEL
188	691058		SCREW, HEX
190	690953		SCREW, TORX HEX
192	690083		ADJUSTER, ROCKER ARM
195	690954		NIPPLE
209	690018		SPRING, GOVERNOR
211	690019		SPRING, GOVERNED IDLE
212	691020		LINK, THROTTLE
213	691021		BRACKET, CHOKE CONTROL
216	691022		LINK, CHOKE
219	394348		GEAR, GOVERNOR
220	690412		WASHER, THRUST
222	691023		PLATE, GOVERNOR CONTROL
227	691048		LEVER ASSY, GOVERNOR
240	691035		FILTER, FUEL
252	690956		ELEMENT, BREATHER
256	690957		RETAINER, ELEMENT
258	691003		SCREW, HEX
265	691024		CLAMP, CASING
277	691029		NUT, HEX
304	691004		HOUSING, BLOWER
305	691005		SCREW, HEX
309	691262		MOTOR, STARTER
310	691263		SCREW, HEX
311	691264		BRUSH, SET
332	690059		NUT, FLYWHEEL
333	691060		ARMATURE, MAGNETO
334	691061		SCREW, ARMATURE MOUNTING
337	691043		SPARK PLUG
351	691044		SCREW, HEX
355	690997		WASHER, SEAL
358	499889		GASKET SET
363	691062		FLYWHEEL, PULLER
383	690966		WRENCH, SPARK PLUG
387	691034		PUMP, FUEL

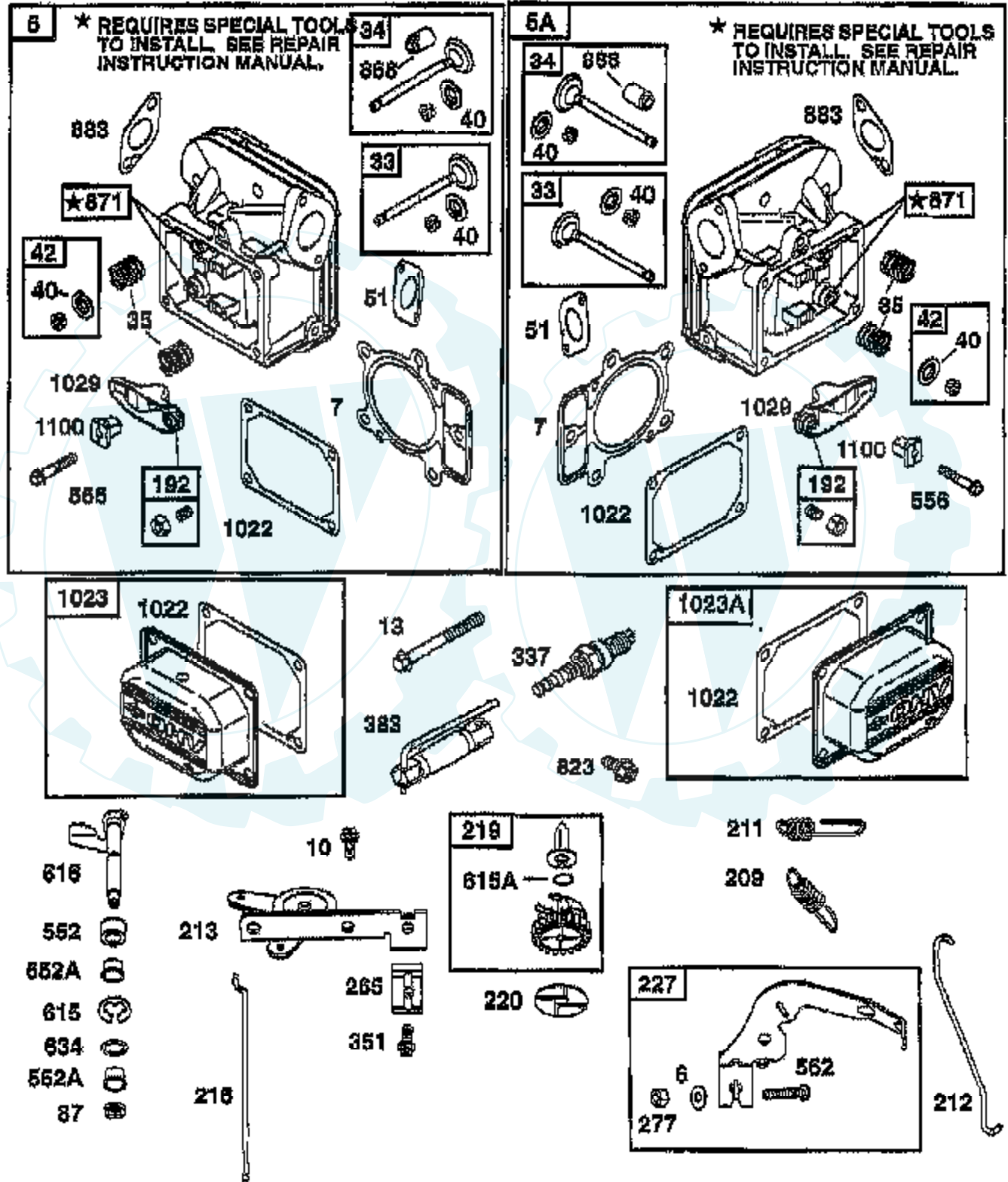
Ref #	Part Number	Qty	Description
445	691007		CARTRIDGE, AIR CLEANER
467	691008		NUT, AIR CLEANER
474	691063		ALTERNATOR
482	691183		SCREW, HEX
510	497606		DRIVE, STARTER
523	691036		DIPSTICK, OIL
525	691037		TUBE, OIL FILL
544			REFER TO IMAGE
552	690552		BUSHING, GOVERNOR CRANK
552A	690553		BUSHING, GOVERNOR CRANK
556	690967		SCREW, HEX
562	690311		BOLT, CARRIAGE
573	691009		PLATE, BLACK
592	690958		NUT, HEX
592A	691029		NUT, HEX
601	691038		CLAMP, FUEL LINE
615	690328		RETAINER, GOVERNOR
615A	690317		RETAINER, GOVERNOR
615B	691265		RETAINER
616	691045		CRANK, GOVERNOR
633	690998		SEAL, CHOKE SHAFT
634	690442		WASHER, FLAT
635	691210		BOOT, SPARK PLUG
668	691215		SPACER
703	690010		CLIP, HOSE
718	690959		DOWEL, SLEEVE
726	499612		GEAR, RING
728	690372		SCREW, TORX
741	690980		GEAR, TIMING
783	691280		GEAR, STARTER
788	691039		BRACKET, PUMP
789	691220		HARNESS, WIRING
801	691283		CAP, DRIVE
802	691286		CAP, END
803			REFER TO IMAGE
823	690960		SCREW, HEX
847	499602		DIPSTICK/TUBE ASSY
851	691234		TERMINAL, IGNITION CABLE
855	691011		ADAPTER, AIR
865	691012		COVER, AIR GUIDE
865A	691013		COVER, AIR GUIDE
865B	691015		COVER, AIR GUIDE
868	690968		SEAL, VALVE
871	690969		BUSHING, GUIDE
878	691237		WIRE, ALTERNATOR
881	690999		PLATE, COVER
883	690970		GASKET, EXHAUST
918	691040		HOSE, VACUUM
947	499809		SOLENOID, FUEL
965	499613		COVER, OIL PUMP
967	691016		FILTER, PRE-CLEANER
968	499788		COVER, AIR CLEANER
975	499810		BOWL, FLOAT
977	499812		GASKET SET, CARBURETOR
987	691000		SEAL, THROTTLE SHAFT
1005	691243		FAN, FLYWHEEL
1006	691247		RETAINER, FAN
1017	690770		SCREEN, OIL PUMP

Ref #	Part Number	Qty	Description
1019	690103		LABEL KIT
1022	690971		GASKET, ROCKER COVER
1023	499599		COVER, ROCKER (CYL. NO.1)
1023A	499600		COVER, ROCKER (CYL. NO.2)
1024	499054		PUMP, OIL
1026	690981		ROD, PUSH (STEEL)
1026A	690982		ROD, PUSH (ALUMINUM)
1027	690041		FILTER, OIL
1029	690972		ARM, ROCKER
1033	499890		VALVE OVERHAUL KIT
1035	691042		SHAFT, OIL PUMP
1036	499783		LABEL KIT, EMISSION
1058	273694		OWNER'S MANUAL
1090	691293		RETAINER, BRUSH
1100	690973		PIVOT, ROCKER ARM
2500	4077770027		ENGINE
2500			CHECK WITH SUPPLIER



### TRACTOR - - MODEL NUMBER AYP8188A89

BRIGGS AND STRATTON ENGINE - MODEL NUMBER 407777, TYPE NUMBER 0120-E1



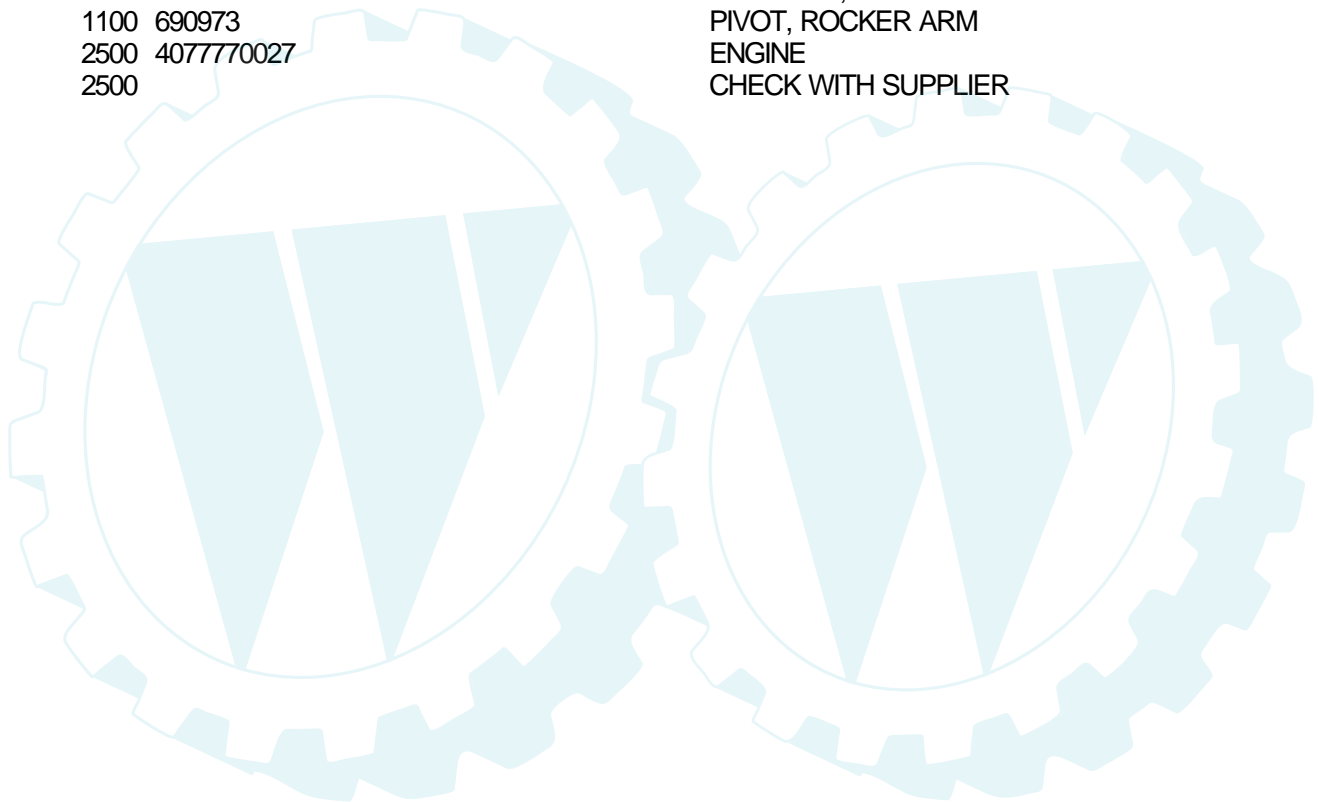
Ref #	Part Number	Qty	Description
	1		499584 CYLINDER ASSY
	2		499585 BUSHING CYLINDER
	3		690926 SEAL OIL
	4		690069 SUMP ENGINE
	5		499587 HEAD CYLINDER NO. 1
	5A		499595 HEAD CYLINDER NO. 2
	6		690097 WASHER FLAT
	7		690962 GASKET, CYLINDER HEAD
	8		499601 BREATHER ASSY
	9		690937 GASKET BREATHER
	10		691003 SCREW, HEX
	11		690942 TUBE, BREATHER
	12		CHECK WITH SUPPLIER
	13		690360 SCREW, CYLINDER HEAD (3-9/16")
	15		690946 PLUG, OIL DRAIN
	16		691046 CRANKSHAFT
	20		690947 SEAL OIL
	22		690308 SCREW, CRANKCASE COVER
	23		691053 FLYWHEEL
	24		690974 KEY, FLYWHEEL
	25		499588 PISTON ASSY (STD)
	25		499589 PISTON ASSY (.010" O.S.)
	25		499590 PISTON ASSY (.020" O.S.)
	25		499591 PISTON ASSY (.030" O.S.)
	26		499604 RING SET, PISTON (STD.)
	26		499605 RING SET, PISTON (.010" O.S.)
	26		499606 RING SET, PISTON (.020" O.S.)
	26		499607 RING SET, PISTON (.030" O.S.)
	27		690975 LOCK, PISTON PIN
	28		499582 PIN ASSY, PISTON
	29		499583 ROD ASSY, CONNECTING
	32		690976 SCREW, CONNECTING ROD
	33		499596 VALVE, EXHAUST
	34		499597 VALVE, INTAKE
	35		690963 SPRING, VALVE
	40		690964 RETAINER, VALVE
	42		499586 KEEPER VALVE
	45		690977 TAPPET, VALVE
	46		690978 GEAR, CAM
	50		690948 MANIFOLD, INTAKE
	51		690949 GASKET, CARB. MOUNTING
	51A		690950 GASKET, INTAKE MANIFOLD
	53		690951 STUD, CARB. MOUNTING
	73		691055 SCREEN, ROTATING
	75		691056 WASHER, SPRING
	78		691057 SCREW, TORX
	87		690657 SEAL, GOVERNOR SHAFT
	89		690238 PLUG, OIL
	95		690718 SCREW, SLOTTED
	98		499802 SCREW, IDLE SPEED
	102		690234 GASKET, PLATE
	104		690984 PIN, FLOAT HINGE
	105		690985 VALVE, NEEDLE
	108		690986 VALVE, CHOKE
	110		691261 WASHER
	116		690987 O-RING, SOLENOID RETAINER
	116A		690988 O-RING, FUEL TRANSFER TUBE
	116B		690589 SEAL, O-RING (OIL PUMP COVER)

Ref #	Part Number	Qty	Description
116C	691031		SEAL, O-RING (DIPSTICK)
116D	691032		SEAL, O-RING (OIL FILTER TUBE)
117	690232		JET, MAIN (STANDARD)
119	690990		SCREW, PHILLIPS
119A	690991		SCREW, PHILLIPS
119B	690992		SCREW, PHILLIPS
119C	690720		SCREW, PHILLIPS
121	499811		CARBURETOR OVERHAUL KIT
122	690952		SPACER, CARBURETOR
125	499804		CARBURETOR
130	690993		VALVE, THROTTLE
131	499805		SHAFT, THROTTLE
133	499806		FLOAT, CARBURETOR
135	499803		TUBE, FUEL TRANSFER
137	690994		GASKET, FLOAT BOWL
141	499807		SHAFT CHOKE
142	499808		NOZZLE, CARBURETOR
146	94388		TIMING GEAR KEY
150	281767		GASKET, NOZZLE
160	690996		RETAINER, SOLENOID
163	691001		GASKET, AIR CLEANER
176	691033		SCREW, T-30
187	691050		LINE, FUEL
187A	691049		LINE, FUEL
188	691058		SCREW, HEX
190	690953		SCREW, TORX HEX
192	690083		ADJUSTER, ROCKER ARM
195	690954		NIPPLE
209	690018		SPRING, GOVERNOR
211	690019		SPRING, GOVERNED IDLE
212	691020		LINK, THROTTLE
213	691021		BRACKET, CHOKE CONTROL
216	691022		LINK, CHOKE
219	394348		GEAR, GOVERNOR
220	690412		WASHER, THRUST
222	691023		PLATE, GOVERNOR CONTROL
227	691048		LEVER ASSY, GOVERNOR
240	691035		FILTER, FUEL
252	690956		ELEMENT, BREATHER
256	690957		RETAINER, ELEMENT
258	691003		SCREW, HEX
265	691024		CLAMP, CASING
277	691029		NUT, HEX
304	691004		HOUSING, BLOWER
305	691005		SCREW, HEX
309	691262		MOTOR, STARTER
310	691263		SCREW, HEX
311	691264		BRUSH, SET
332	690059		NUT, FLYWHEEL
333	691060		ARMATURE, MAGNETO
334	691061		SCREW, ARMATURE MOUNTING
337	691043		SPARK PLUG
351	691044		SCREW, HEX
355	690997		WASHER, SEAL
358	499889		GASKET SET
363	691062		FLYWHEEL, PULLER
383	690966		WRENCH, SPARK PLUG
387	691034		PUMP, FUEL

Ref #	Part Number	Qty	Description
445	691007		CARTRIDGE, AIR CLEANER
467	691008		NUT, AIR CLEANER
474	691063		ALTERNATOR
482	691183		SCREW, HEX
510	497606		DRIVE, STARTER
523	691036		DIPSTICK, OIL
525	691037		TUBE, OIL FILL
544			REFER TO IMAGE
552	690552		BUSHING, GOVERNOR CRANK
552A	690553		BUSHING, GOVERNOR CRANK
556	690967		SCREW, HEX
562	690311		BOLT, CARRIAGE
573	691009		PLATE, BLACK
592	690958		NUT, HEX
592A	691029		NUT, HEX
601	691038		CLAMP, FUEL LINE
615	690328		RETAINER, GOVERNOR
615A	690317		RETAINER, GOVERNOR
615B	691265		RETAINER
616	691045		CRANK, GOVERNOR
633	690998		SEAL, CHOKE SHAFT
634	690442		WASHER, FLAT
635	691210		BOOT, SPARK PLUG
668	691215		SPACER
703	690010		CLIP, HOSE
718	690959		DOWEL, SLEEVE
726	499612		GEAR, RING
728	690372		SCREW, TORX
741	690980		GEAR, TIMING
783	691280		GEAR, STARTER
788	691039		BRACKET, PUMP
789	691220		HARNESS, WIRING
801	691283		CAP, DRIVE
802	691286		CAP, END
803			REFER TO IMAGE
823	690960		SCREW, HEX
847	499602		DIPSTICK/TUBE ASSY
851	691234		TERMINAL, IGNITION CABLE
855	691011		ADAPTER, AIR
865	691012		COVER, AIR GUIDE
865A	691013		COVER, AIR GUIDE
865B	691015		COVER, AIR GUIDE
868	690968		SEAL, VALVE
871	690969		BUSHING, GUIDE
878	691237		WIRE, ALTERNATOR
881	690999		PLATE, COVER
883	690970		GASKET, EXHAUST
918	691040		HOSE, VACUUM
947	499809		SOLENOID, FUEL
965	499613		COVER, OIL PUMP
967	691016		FILTER, PRE-CLEANER
968	499788		COVER, AIR CLEANER
975	499810		BOWL, FLOAT
977	499812		GASKET SET, CARBURETOR
987	691000		SEAL, THROTTLE SHAFT
1005	691243		FAN, FLYWHEEL
1006	691247		RETAINER, FAN
1017	690770		SCREEN, OIL PUMP

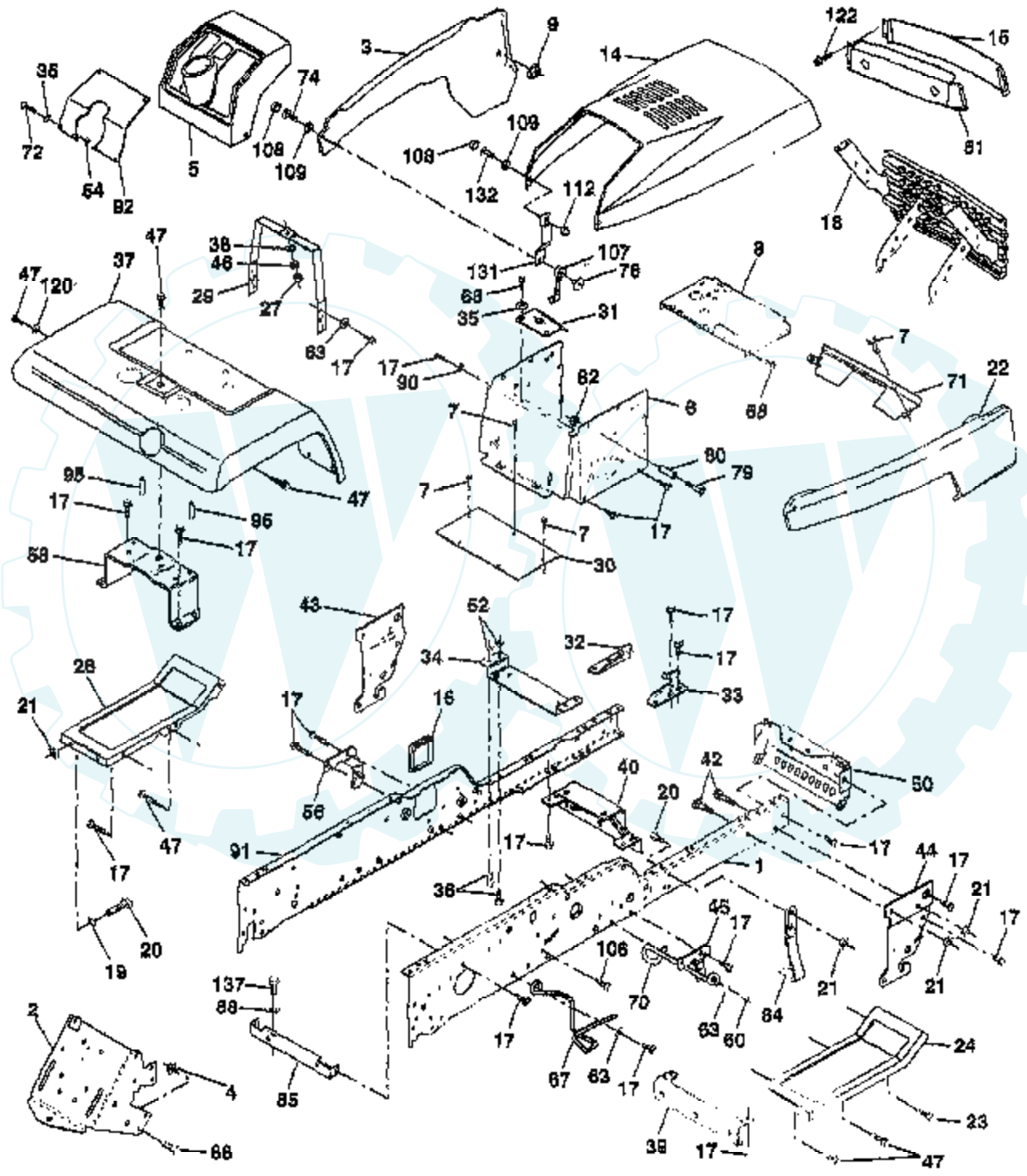


Ref #	Part Number	Qty	Description
1019	690103		LABEL KIT
1022	690971		GASKET, ROCKER COVER
1023	499599		COVER, ROCKER (CYL. NO.1)
1023A	499600		COVER, ROCKER (CYL. NO.2)
1024	499054		PUMP, OIL
1026	690981		ROD, PUSH (STEEL)
1026A	690982		ROD, PUSH (ALUMINUM)
1027	690041		FILTER, OIL
1029	690972		ARM, ROCKER
1033	499890		VALVE OVERHAUL KIT
1035	691042		SHAFT, OIL PUMP
1036	499783		LABEL KIT, EMISSION
1058	273694		OWNER'S MANUAL
1090	691293		RETAINER, BRUSH
1100	690973		PIVOT, ROCKER ARM
2500	4077770027		ENGINE
2500			CHECK WITH SUPPLIER



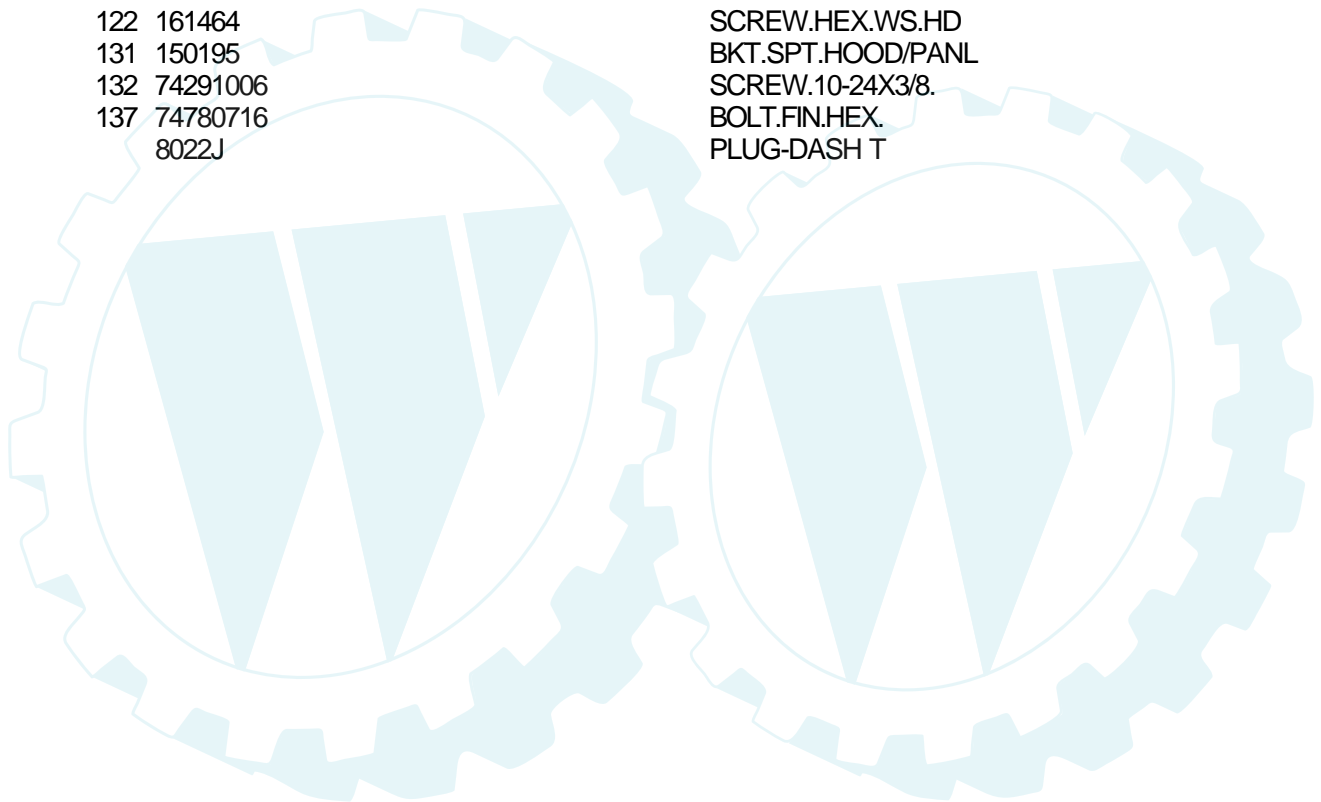
### TRACTOR - - MODEL NUMBER AYP8188A89

#### CHASSIS AND ENCLOSURES



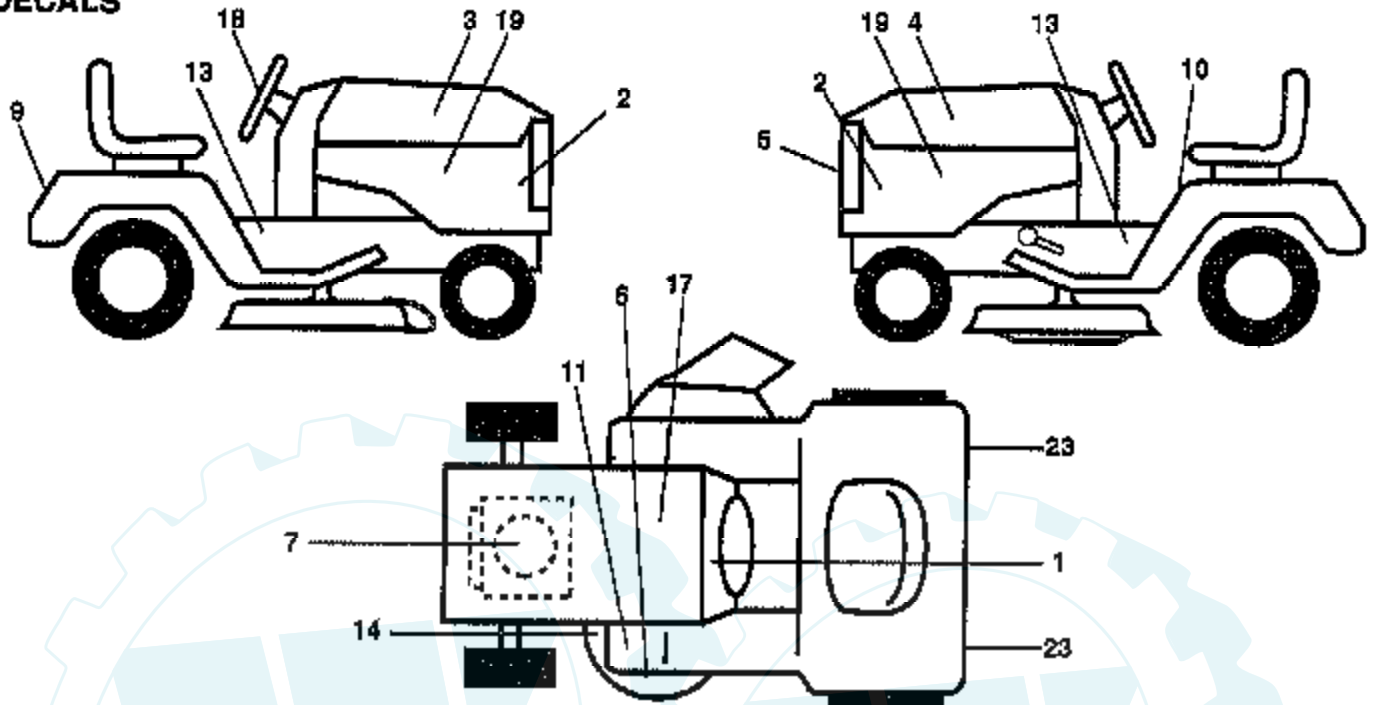
Ref #	Part Number	Qty	Description
1	150253		"RAIL,FRAME RH"
2	140506		DRAWBAR GT
3	150302X418		"PANEL,ASM SIDE LH"
4	73800700		NUT.7/16
5	140398		DASHBOARD BLACK
6	157882		DASH LOWER
7	17720408		SCREW
8	145166		SUPPORT.DASH.BTRY
9	108067X		PAL NUT LT
14	150301X418		"HOOD ASM.,PNT"
15	146459		LENS.BAR.CLEAR
16	121794X		COVER ACCESS
17	17490612		SCREW
18	150198		GRILLE
19	19131312		WASHER
20	74760616		BOLT
21	73680600		SUB= 73690600
22	150303X418		PANEL ASM.SIDE RH
23	17490616		SCREW GTV
24	145243X418		FOOTREST.RH.LT/GT
27	73220400		SUB= 50675
28	145244X418		FOOTREST.LT.LT/GT
29	145205		DASH.SUPT.YP/HUSQ
30	145051X014		SADDLE.SCR.6SP
31	161419		BRKT SUPT 1-PC VG
32	141315		BRACKET ASM FRAME
33	141314		BRACKET ASM FRAME
34	142131		BRACKET.ENG.SUPT.
35	19111116		WASHER
36	74780512		BOLT
37	121642X418		"FENDER,RH"
38	10040400		LOCKWASHER
39	136961		BRACKET.AXLE.FRT.
40	156111		"BRKT SUPPORT,AXLE"
42	72140608		SUB= 72110608
43	136939		BRACKET.SUS.FT.LH
44	136940		BRACKET.SUS.FT.RH
45	154913		BRACKET.SUSP.RH.
46	19091216		WASHER PM
47	17490608		SCREW LT
50	152728		"BRKT CHASSIS,FRNT"
52	73680500		SUB= 73690500
54	73510500		NUT
56	154914		BRACKET.SUSP.LH.
58	137113		BRKT.ASM.FENDER
60	17490620		SCREW
61	147717		BEZEL.ASM.
63	19131614		WASHER
67	156973		"GUIDE BELT, T/A"
68			CHECK WITH SUPPLIER
70	137159		GUIDE.BELT.MID.SP
71	144916X418		STRAP.GRILL
72	74180512		SCREW
74	74191008		SCREW
76	2029J		WELDNUT
79	74981020		SCREW
80	7206J		SPACER.LT
82	73731000		NUT

Ref #	Part Number	Qty	Description
84	142992		STOP.OVER.CENTER
85	144911		BRACKET.SUPT.TRAN
86	74760716		BOLT
88	10040700		LOCKWASHER
90	11050600		LOCKWASHER
91	156856		"BRKT ASM,GA,WH,FR"
92	156286X010		"PLATE DASH,SLKSCR"
95	105531X		NUT-PUSH YT
106			CHECK WITH SUPPLIER
107	109808X		HOOD LATCH T
108	110356X		SNAP CAP LT
109	110357X		WASHER LT
112	60867		ACORN NUT RB
120	19131616		WASHER HYT
122	161464		SCREW.HEX.WS.HD
131	150195		BKT.SPT.HOOD/PANL
132	74291006		SCREW.10-24X3/8.
137	74780716		BOLT.FIN.HEX.
	8022J		PLUG-DASH T



### TRACTOR - - MODEL NUMBER AYP8188A89

#### DECALS



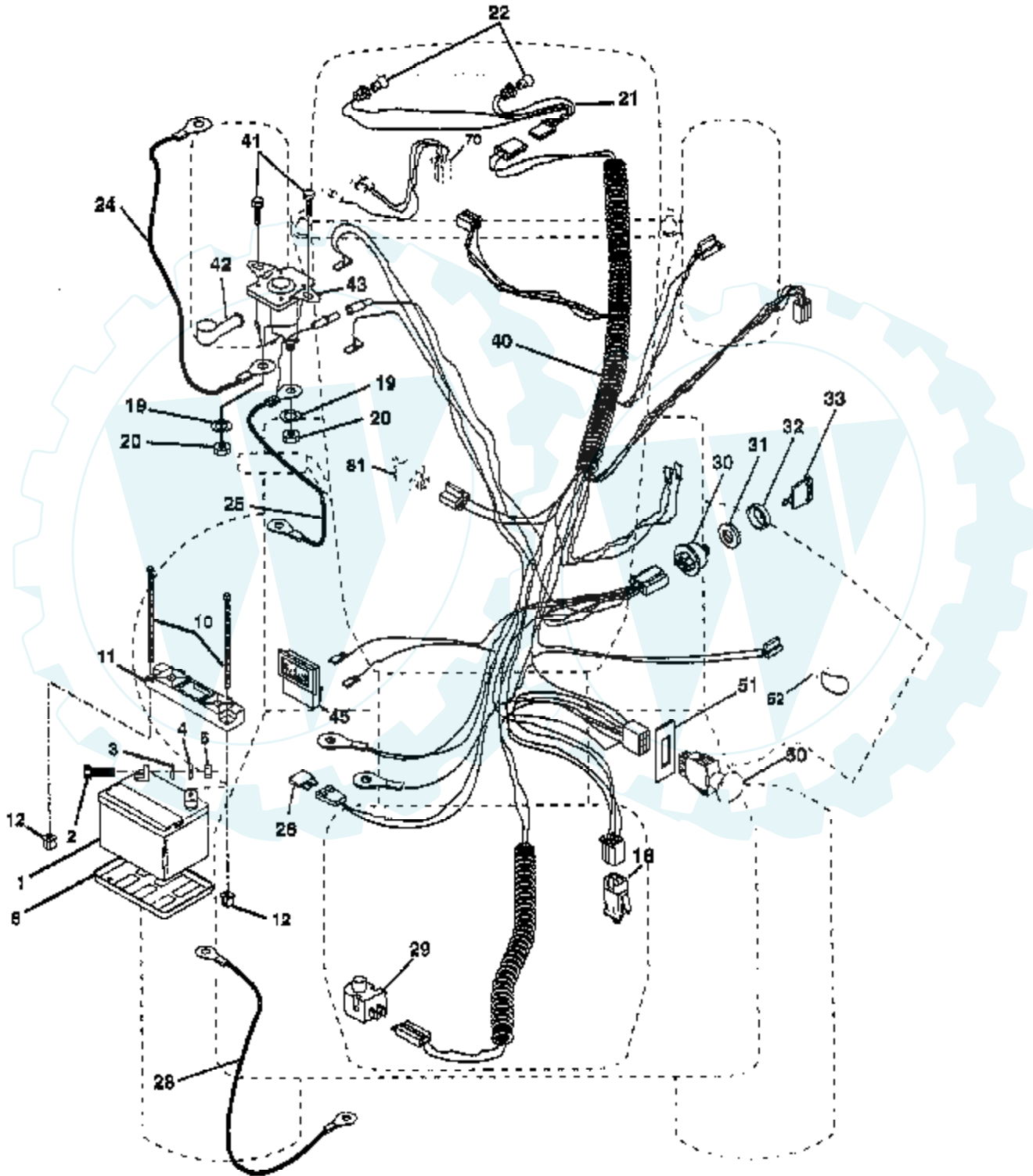
**NOTE:** All component dimensions given in U S inches  
1 inch = 25.4 mm

Ref #	Part Number	Qty	Description
1	156834		"DECAL-OPER,GEAR D"
2	143388		NAMEPLATE.HD.WIZA
3	151253		DECAL.HD.RH.WIZRD
4	151255		DECAL.HD.LH.WIZRD
5	151477		DECAL.GRILLE.WIZ+
6	141517		DECAL DECK WIZ +
7	273727		DECAL, ENGINE
9	127520		NLA
10	157002		"DECAL DANGER,FEND"
11	4900J		DECAL T
13	151256		DECAL CHASSIS
14	160397		SUB= 532160397
17	145005		DECAL.BATRY.3-3908
18	141619		DECAL INS STG WHL
19	162550		DECAL PANEL SIDE
23	106202X		REFLECTOR-TAIL YT
	133671		FOOTREST PAD
	138311		DECAL HANDLE LIFT
	162476		MANUAL.O.8188A89.E



**TRACTOR -- MODEL NUMBER AYP8188A89**

**ELECTRICAL**

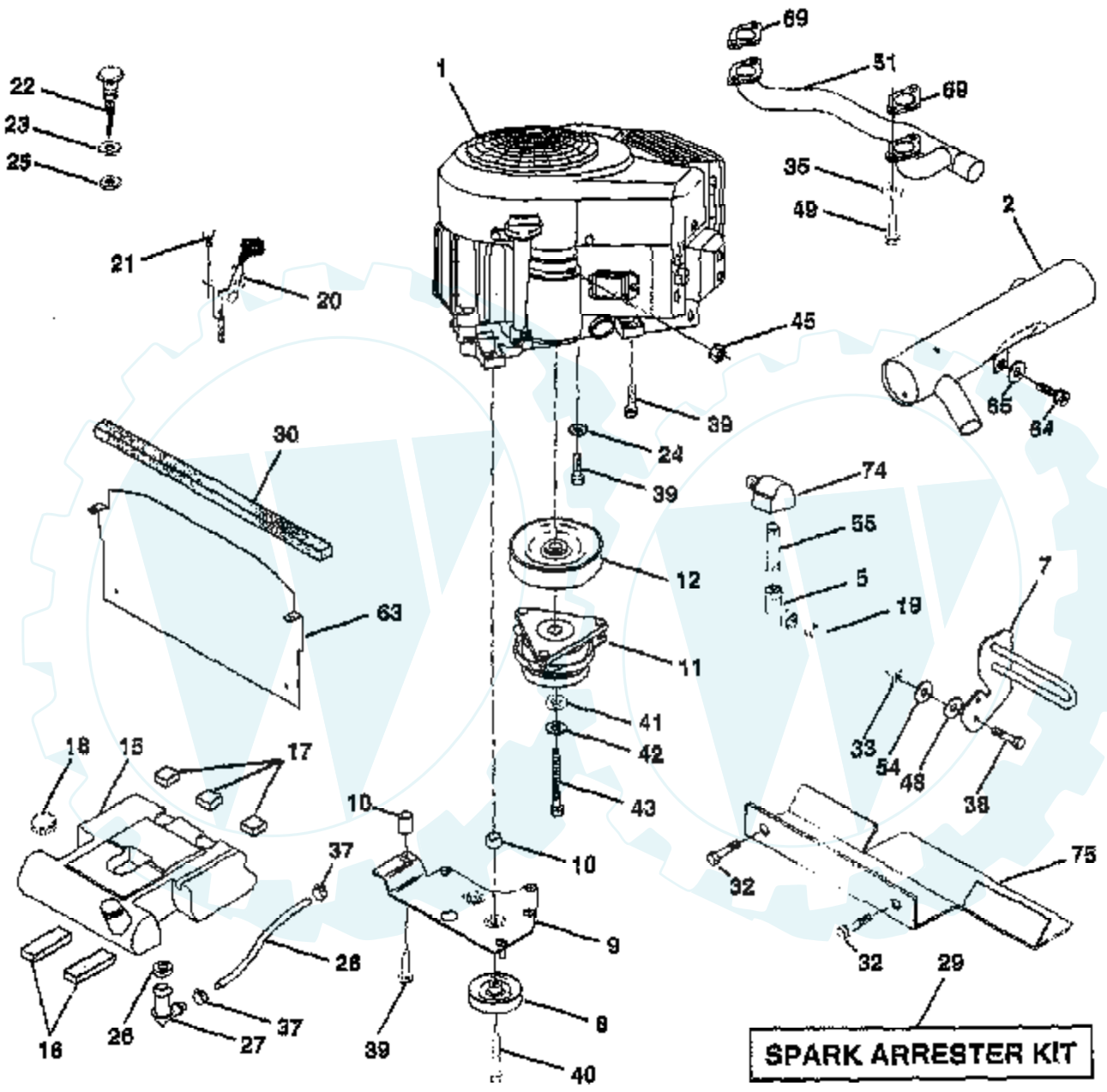


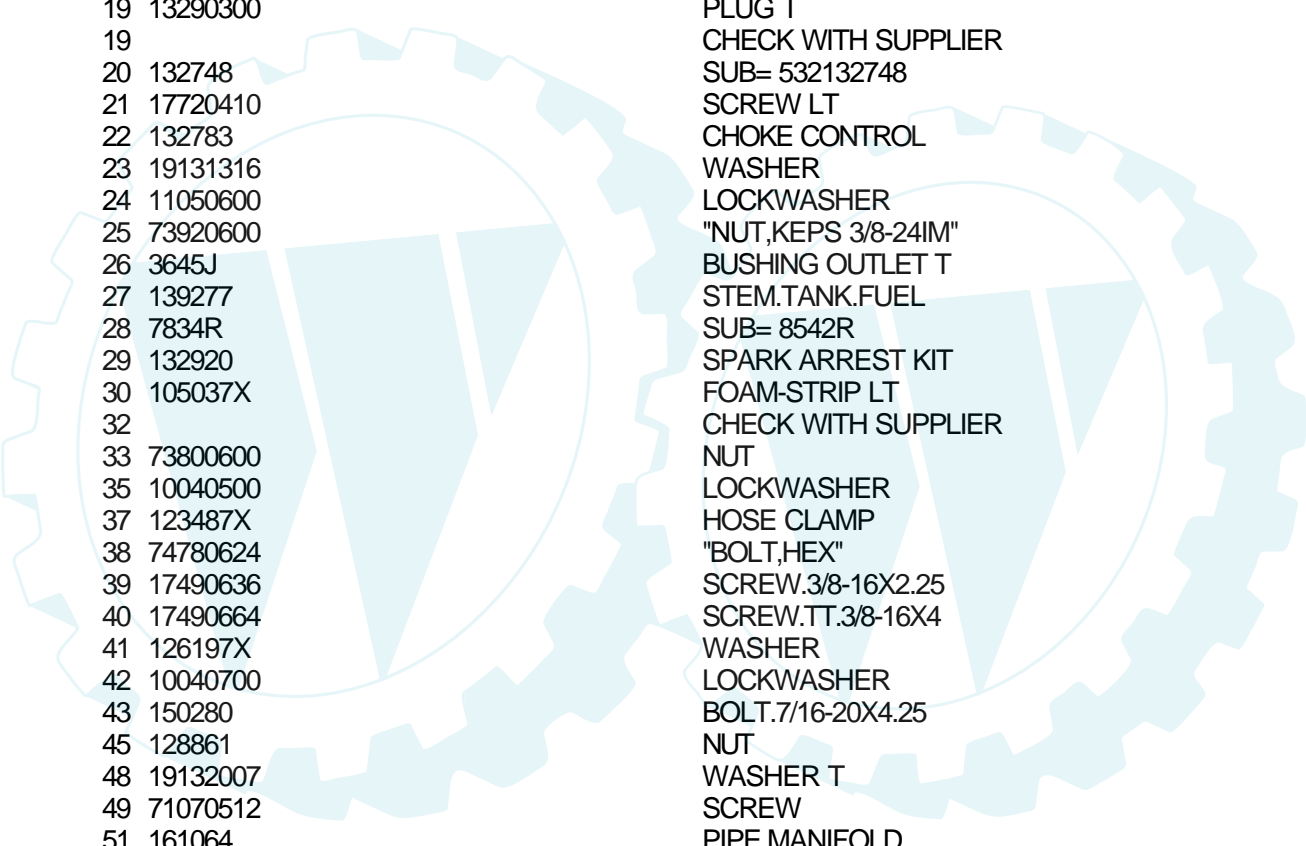
Ref #	Part Number	Qty	Description
1	144926		SUB= 123899X
2			CHECK WITH SUPPLIER
3	19091016		WASHER
4	10040400		LOCKWASHER
6	73220400		SUB= 50675
8	7603J		"TRAY T, BATTERY"
10	145211		SUB= 150177
11	150109		HOLDDOWN BATTERY
12	145769		SUB= 150177
16	153664		SWITCH INTERLOCK
19	10090400		SUB= 10040400
20	73350400		NUT
21	136850		"HARNES, LIGHT SOC"
22	4152J		HEADLAMP BULB
24	4206J		CABLE-BATTERY T
25	146149		CABLE.6GA.12.5.
26	108824X		FUSE HYT
28	4207J		CABLE T
29	160784		SWITCH.PLUNGER
30	140301		SWITCH IGN 4POS
31	124211X		NUT IGNITION
32	141226		COVER KEY SWITCH
33	122147X		KEY
40	160725		HARNES.IGNITON
41	17720408		SCREW
42	131563		SUB= 154336
43	145673		SUB= 146154
45	122822X		AMMETER
50	154959		PTO SWITCH.BLK
51	140405		RING RETAIN PTO
52	141940		PROTECTION LOOP
70	143346		HARNES.ENG.B&S
81	109748X		RELAY ASSY T



### TRACTOR - - MODEL NUMBER AYP8188A89

#### ENGINE

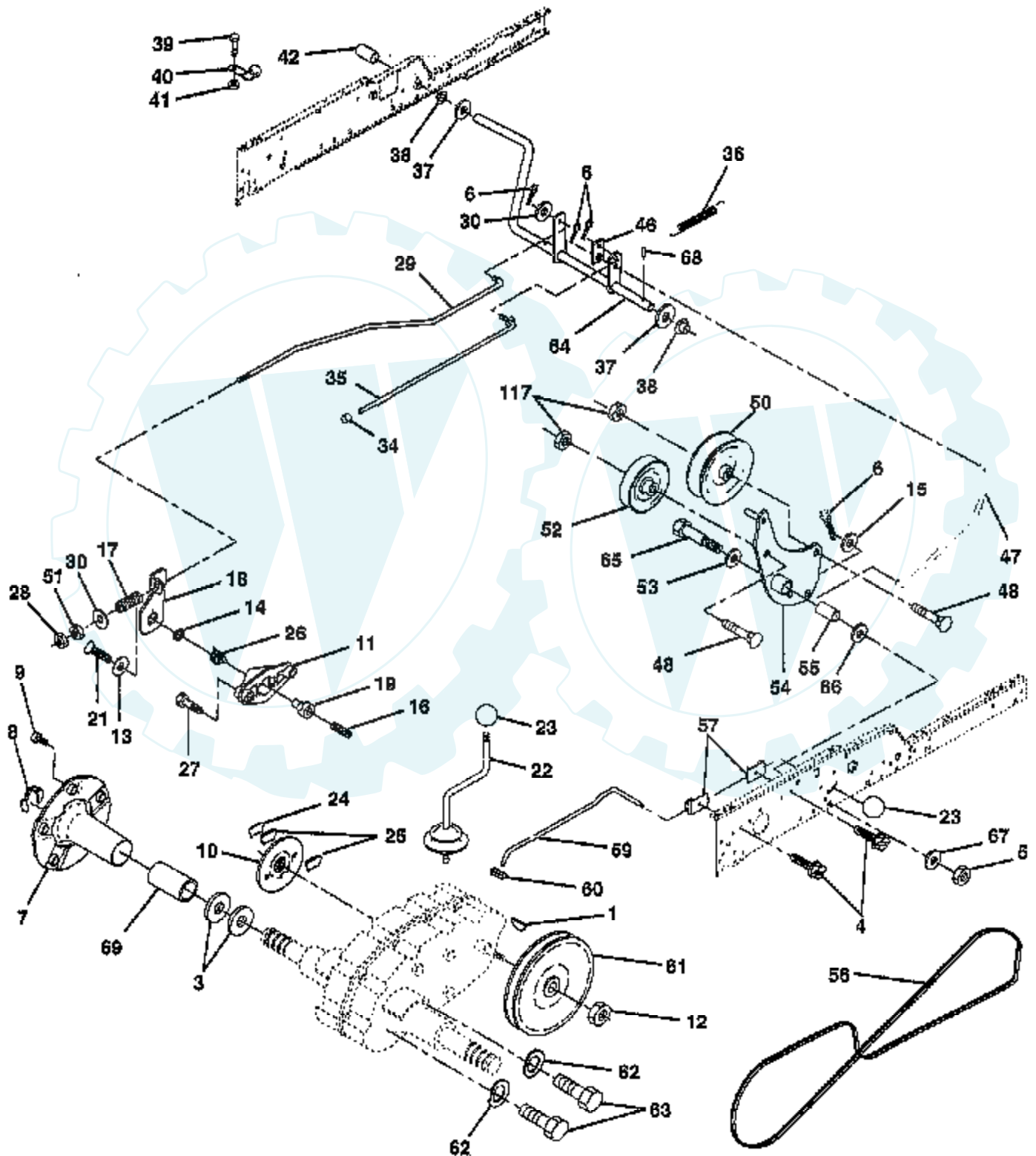




Ref #	Part Number	Qty	Description
2	161062		MUFFLER SIDE1-1/8
4	13280336		PIPE NIPPLE LT
5	13200300		ELBOW
7	151396		GUARD.MUFFLER.ASM
8	121361X		SUB= 139123
9	150828		KEEPER ASM BELT
10	105432X		BUSHING.
11	140923		SUB= 150283
12	143996		PULLEY.ENG.CLUTCH
15	151346		TANK FUEL REAR
16	109227X		PAD IDLER TI
17	106082X		PAD-SPACER LT
18	140527		CAP ASM FUEL
19	13290300		PLUG T
19			CHECK WITH SUPPLIER
20	132748		SUB= 532132748
21	17720410		SCREW LT
22	132783		CHOKE CONTROL
23	19131316		WASHER
24	11050600		LOCKWASHER
25	73920600		"NUT,KEPS 3/8-24IM"
26	3645J		BUSHING OUTLET T
27	139277		STEM.TANK.FUEL
28	7834R		SUB= 8542R
29	132920		SPARK ARREST KIT
30	105037X		FOAM-STRIP LT
32			CHECK WITH SUPPLIER
33	73800600		NUT
35	10040500		LOCKWASHER
37	123487X		HOSE CLAMP
38	74780624		"BOLT,HEX"
39	17490636		SCREW.3/8-16X2.25
40	17490664		SCREW.TT.3/8-16X4
41	126197X		WASHER
42	10040700		LOCKWASHER
43	150280		BOLT.7/16-20X4.25
45	128861		NUT
48	19132007		WASHER T
49	71070512		SCREW
51	161064		PIPE.MANIFOLD
54	19131414		WASHER
63	145549		HEAT.SHIELD.VGT.
64	17490612		SCREW
65	19131614		WASHER
69	273485		GASKET MUFFLER
74	162295		ELBOW STREET BASS
75	163776		SHIELD.HEAT.INTEK.VGT

# TRACTOR - - MODEL NUMBER AYP8188A89

## GROUND DRIVE





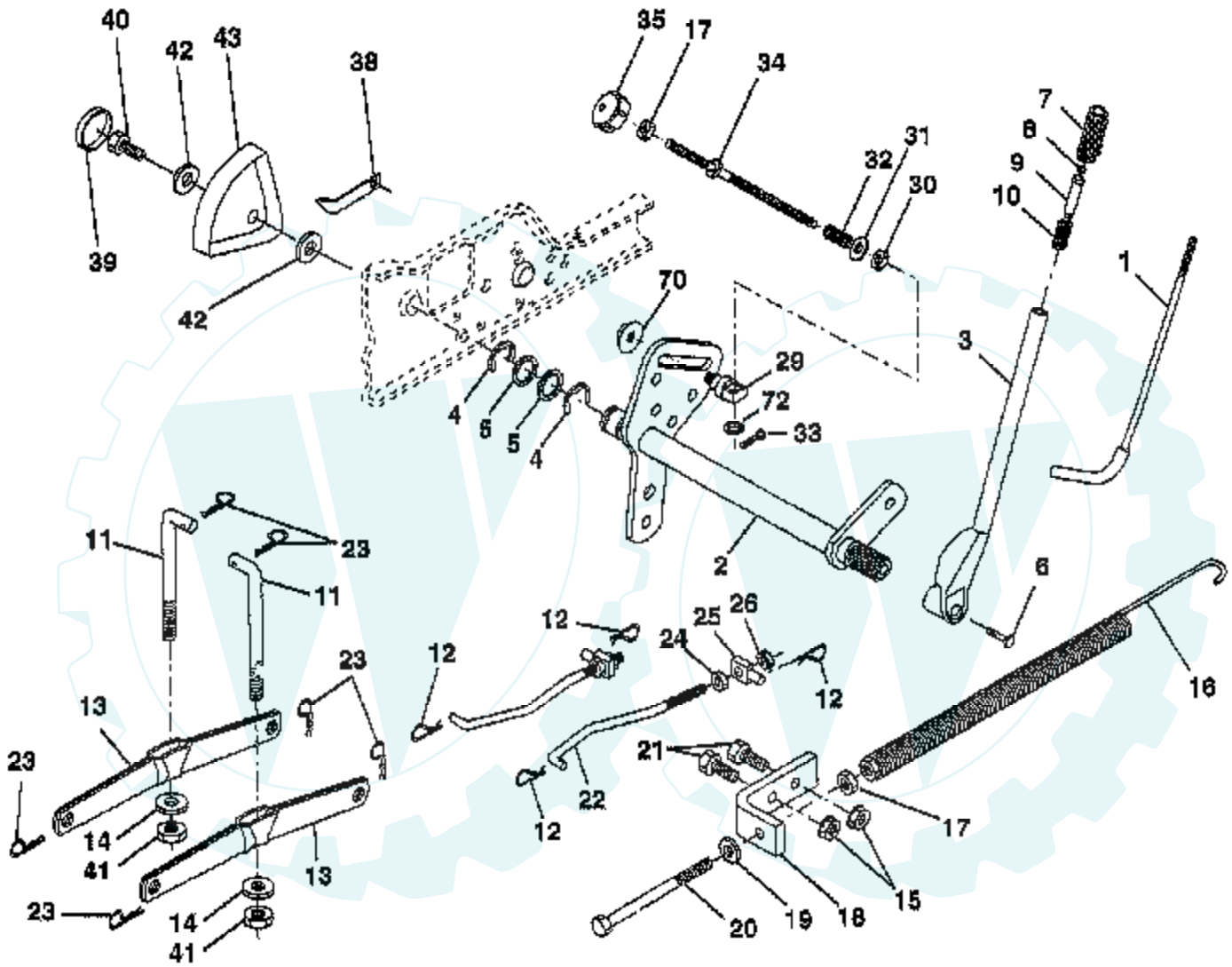
Ref #	Part Number	Qty	Description
1	9858M1		KEY
3	7563R		WASHER T
4			CHECK WITH SUPPLIER
5	73680600		SUB= 73690600
6	76020412		COTTER PIN
7	149176		SUB= 149176X431
8	12000034		KLIP RING
9	140080		BOLT.HUB.WHL.REAR
10	142509		BRAKE.DISC.
11	136927		YOKE BRAKE DISC
12	73750800		"LOCKNUT,1/2-20UNF"
13	139419		WASHER SPECIAL
14	138901		BUSHING LEVER BKT
15	19131316		WASHER
16	143012		SCREW SET 1/4-20
17	126909X		"SPRING,ROD BRAKE"
18	137104		LEVER BRAKE GT
19	136926		CAM BRAKE DISC GT
21	23260412		SCREW FLT 1/4X28
22	633A109		GEAR SHFT LVR T
23	106932X		KNOB T(3/8 HOLE)
24	136925		SUPPORT PUCK BRKE
25	136923		PUCK BRAKE TOP
26	137552		SPRING RET BRAKE
27	17490528		SCREW HX WASH
28	73350600		NUT
29			CHECK WITH SUPPLIER
30	19131616		WASHER HYT
34	124236X		CAP
35	137648		ROD BRAKE PART GT
36	149412		SPRING.GRND.DRIVE
37	121749X		WASHER
38	150035		BUSHING.NYLINER
39	74321016		SCREW
40	5304J		ACT-SWITCH T
41	73661000		NUT.FLANGE
42	8883R		PEDAL COVER T
46	145170		RETAINER.SPRING
47	138228		ROD.CLUTCH
48	72110612		BOLT.3/8-16X1.50
50	131494		FLAT IDLER PULLEY
51	73680600		SUB= 73690600
52	139123		PULLEY.IDLER.V.GR
53	207J		WASHER T
54	161590		CLUTCH.ARM.ASM
55	105706X		"LY, BEARING"
56	137153		BELTV.GR.DR.83.
57	141756		BRACKET.ROD.SHIFT
59	122253X		ROD SHIFT HI LO
60	122268X		CONNECTING LINK
61	137524		SUB= 532137524
62	10040700		LOCKWASHER
63	74760720		BOLT
64	154752		SHAFT-BRAKE/CLUTC
65	67609		AXLE BOLT
66	140296		WASHER.HARD.BLADE
67	19131312		WASHER
68	5142H		ROLL PIN STD

Ref #	Part Number	Qty	Description
69	136327		"COVER, HUB"
117	73900600		SUB= 83923



### TRACTOR -- MODEL NUMBER AYP8188A89

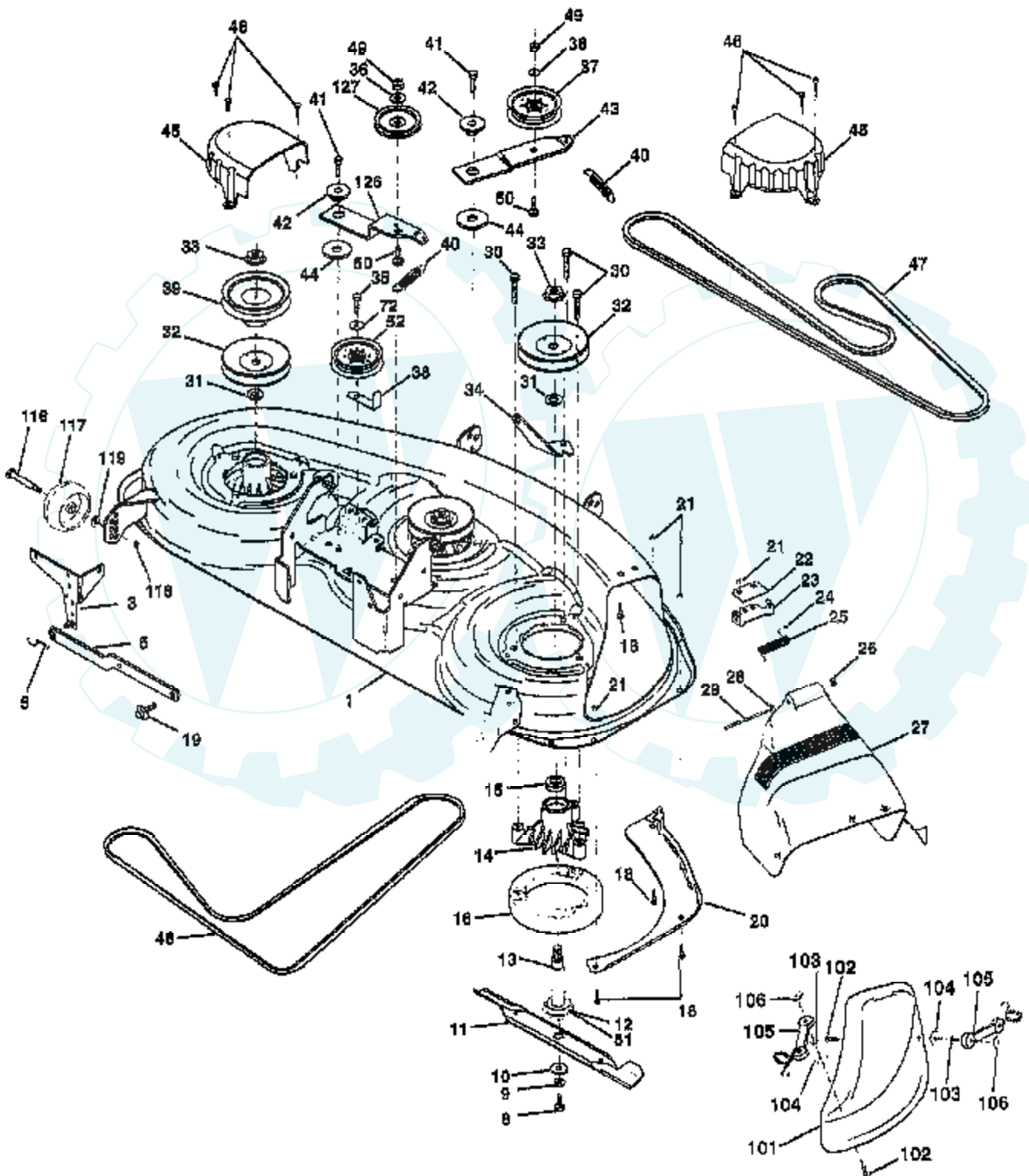
#### LIFT ASSEMBLY



Ref #	Part Number	Qty	Description
1	121006X		LEVER ROD LT
2	154389		SHAFT AMS LIFT
3	121002X		SUB= 123096X
4	12000022		E-RING
5	19292016		WASHER
6	74780624		"BOLT,HEX"
7	125631X		GRIP HANDLE
8	122365X		SUB= 125925X
9	122364X		SUB= 125925X
10	2876H		SPRING T
11	146704		LINK.LIFT.MWR.VGT
12	163552		RETAINER SPRING
13	139868		ARM SUSP REAR
14	140302		BEARING PVT LH
15	73680600		SUB= 73690600
16	674A247		SUB= 918674A247
17	73350600		NUT
18	143363		BRACKET SPRING AS
19	19131316		WASHER
20	5328J		BOLT-ADJ SPRING T
21	74760616		BOLT
22	127218		LINK.FRONT
23	4939M		SUB= 85902
24	73350800		NUT
25	130171		TRUNION
26	73680800		NUT LTV
29	150233		TRUNNION
30	110807X		NUT T
31	19131016		WASHER
32	137150		SPRING.COMP.INF.H
33	76020308		SUB= 3145
34	137167		ROD.ADJ.LIFT
35	138057		KNOB INF 3/8-16
38	155097		POINTER-INDICAT
39	123935X		"PLUG,HOLE"
40	17490512		SCREW
41	73540600		NUT.CROWNLOCK.3/8
42	19112410		WASHER
43	123934X		HEIGHT INDICATOR
70	145212		NUT.HXFLG.LOCK.
72			CHECK WITH SUPPLIER

### TRACTOR -- MODEL NUMBER AYP8188A89

#### MOWER DECK





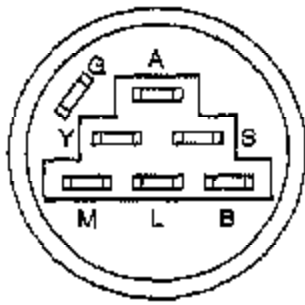
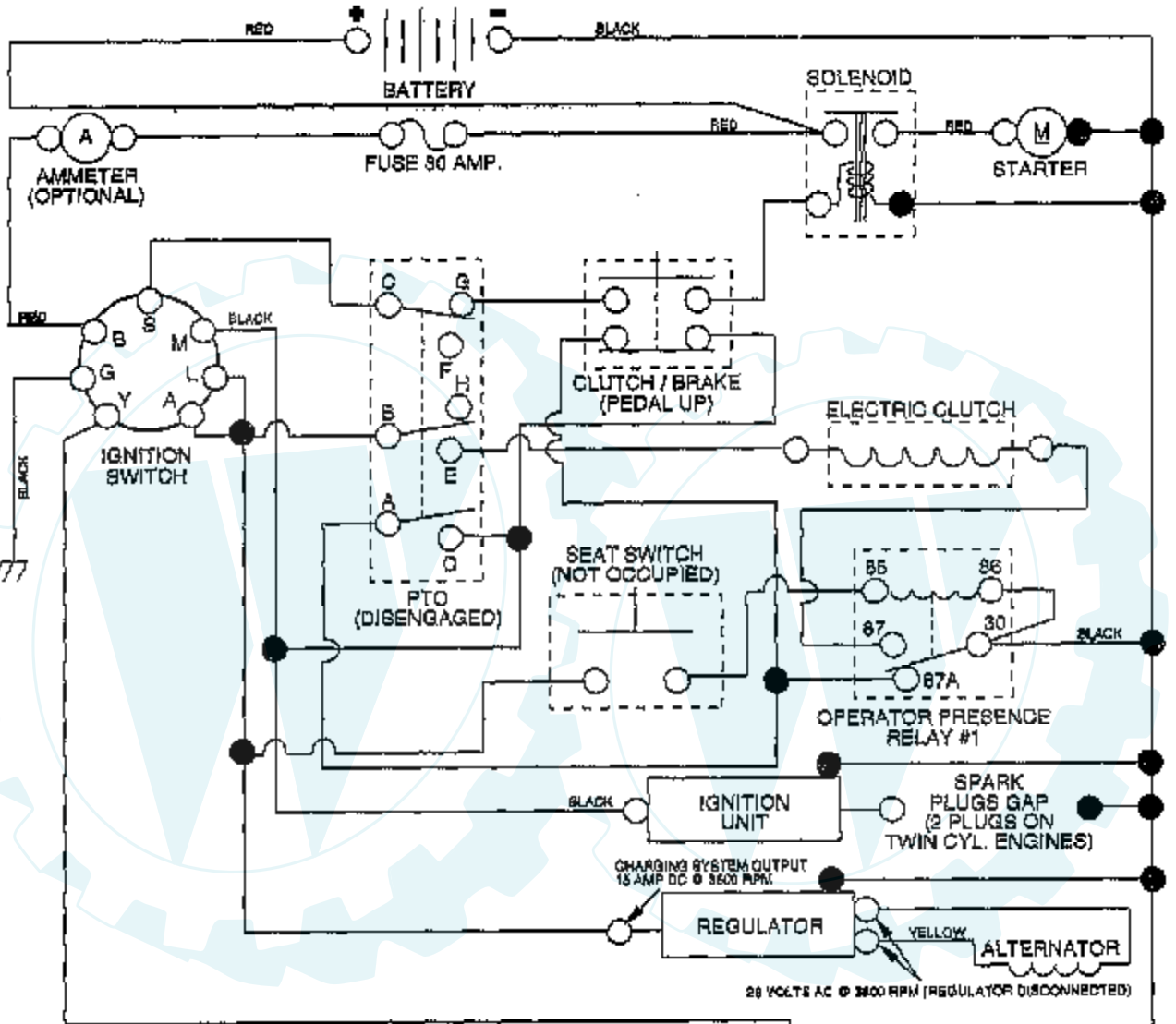
Ref #	Part Number	Qty	Description
1	155948		DECK ASM. MOWER 46"
3	138457		BRKT.ASM.SW.44/50
5	4939M		SUB= 85902
6	130832		SUB= 130833
8	850857		BLADE BOLT
9	10030600		SUB= 10040600
10	140296		WASHER.HARD.BLADE
11	152443		SUB= 918152443
12	129895		BEARING.BALL
13	137553		SHAFT.ASM.W/BRNG
14	137152		HOUSING.MAND.44.V
15	110485X		BEARING
16	140329		STRIPPER RND MWR
18	72140505		BOLT
19	132827		BOLT SHD 5/16-18
20	145055		BAFFLE.VORTEX.46
21	73680500		SUB= 73690500
22	134753		STIFFENER BRKT
23	131267		DEFLECTOR BRKT
24			CHECK WITH SUPPLIER
25	149287		SUB= 123713X
26			CHECK WITH SUPPLIER
27	157788		SHIELD DEFLECTOR
28	19111016		WASHER
29	131491		HINGE ROD
30	157722		"SCREW-THD ROLL,WA"
31	129963		WASHER
32	153531		PULLEY.MAND.36/46
33	137266		SUB= 139729
34	144945		ANCHOR.SPRING.46
35	17490628		SCREW LT
36	19131316		WASHER
37	131494		FLAT IDLER PULLEY
38	156086		"KEEPER BELT,IDLER"
39	144917		PULLEY.DRV.DCK.46
40	137273		"SPRING.SEC.44""VEN"
41	17490620		SCREW
42	122052X		SPACER RETAINER
43	144949		ARM.IDLER.DECK.46
44	133943		HARDENED WASHER
45	145059		COVER.MANDREL.46
46	137729		SCREW.1/4-20X5/8
47	144959		BELT-V.SEC.46.KEL
48	139573		BELT V PRIM 50
49	73680600		SUB= 73690600
50	72110612		BOLT.3/8-16X1.50
51	153390		WASHER.FELT.
52	156493		"PULLEY IDLER,FLAT"
72	19131616		WASHER HYT
101	145579		COVER.MULCHING.
102	71161010		SCREW
103	10071000		LOCKWASHER
104	19061216		WASHER #10
105	160793		LATCH ASSY.BAGGER
106	2029J		WELDNUT
116	137644		BOLT.SHOULDER
117	133957		WHEEL GAGE DONUT
118	73930600		LOCKNUT

Ref #	Part Number	Qty	Description
119	19121414		WASHER
126	144948		ARM.IDLER.PRIM.46
127	146763		PULLEY.IDLER.4.25
	143651		MANDREL SERV ASM
	157251		MOWER SERV DECK46



# TRACTOR - - MODEL NUMBER AYP8188A89

## SCHEMATIC



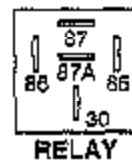
IGNITION SWITCH

POSITION	CIRCUIT	"MAKE"
OFF	G+M+L	NONE
RUNLIGHT	B+L	A+Y
RUN	B+L	NONE
START	B+L+S	NONE

**NOTE**  
YOUR TRACTOR IS EQUIPPED WITH A SPECIAL ALTERNATOR SYSTEM. THE LIGHTS ARE NOT CONNECTED TO THE BATTERY, BUT HAVE THEIR OWN ELECTRICAL SOURCE. BECAUSE OF THIS, THE BRIGHTNESS OF THE LIGHTS WILL CHANGE WITH ENGINE SPEED. AT IDLE THE LIGHTS WILL DIM, AS THE ENGINE IS SPEEDED UP, THE LIGHTS WILL BECOME THEIR BRIGHTEST.

**WIRING INSULATED CLIPS**

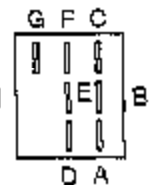
**NOTE:** IF WIRING INSULATED CLIPS WERE REMOVED FOR SERVICING OF UNIT, THEY SHOULD BE REPLACED TO PROPERLY SECURE YOUR WIRING.



RELAY

**PTO SWITCH**

POSITION	CIRCUIT
OFF	C+G, B+H
ON	C+F, B+E, A+D

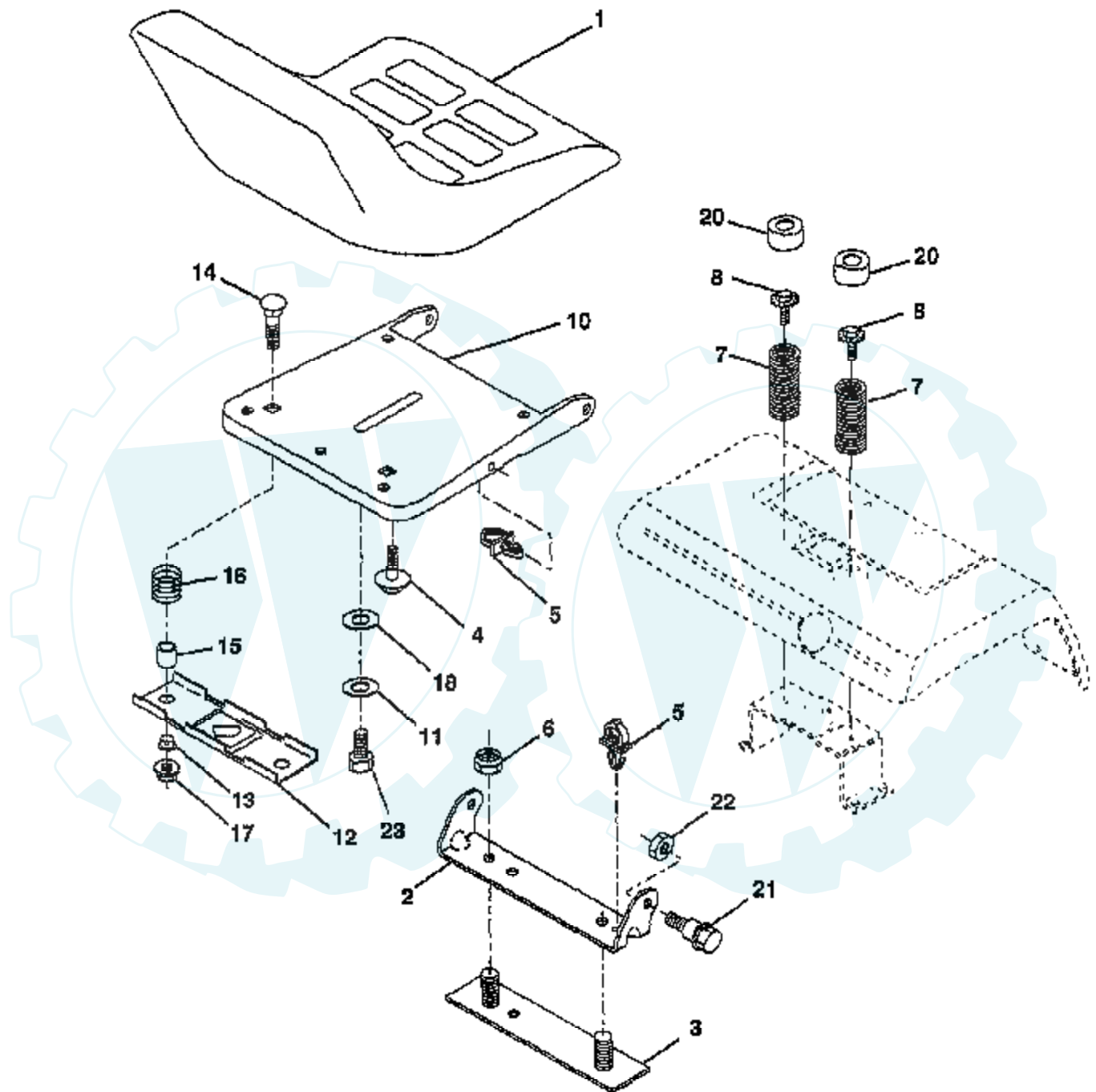


REMOVABLE CONNECTIONS

NON-REMOVABLE CONNECTIONS

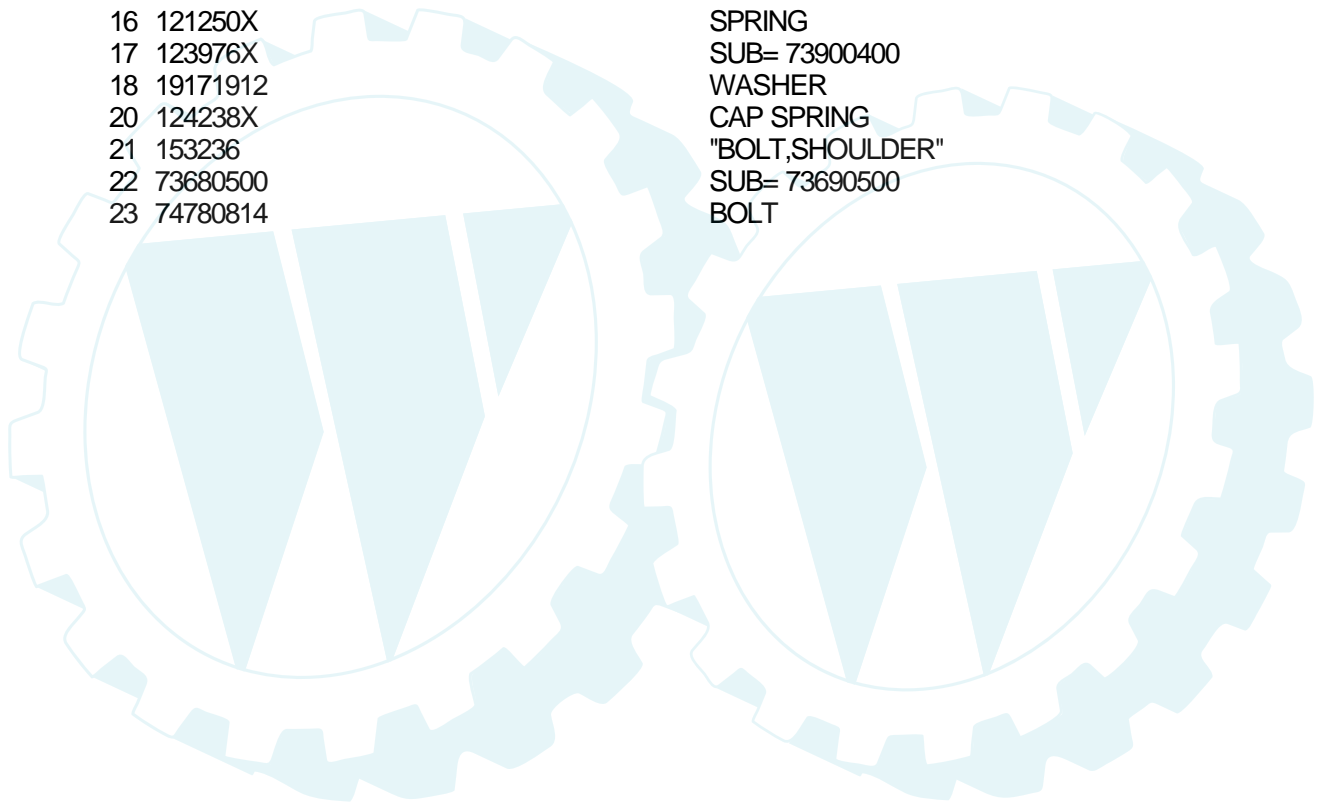
## TRACTOR - - MODEL NUMBER AYP8188A89

### SEAT ASSEMBLY



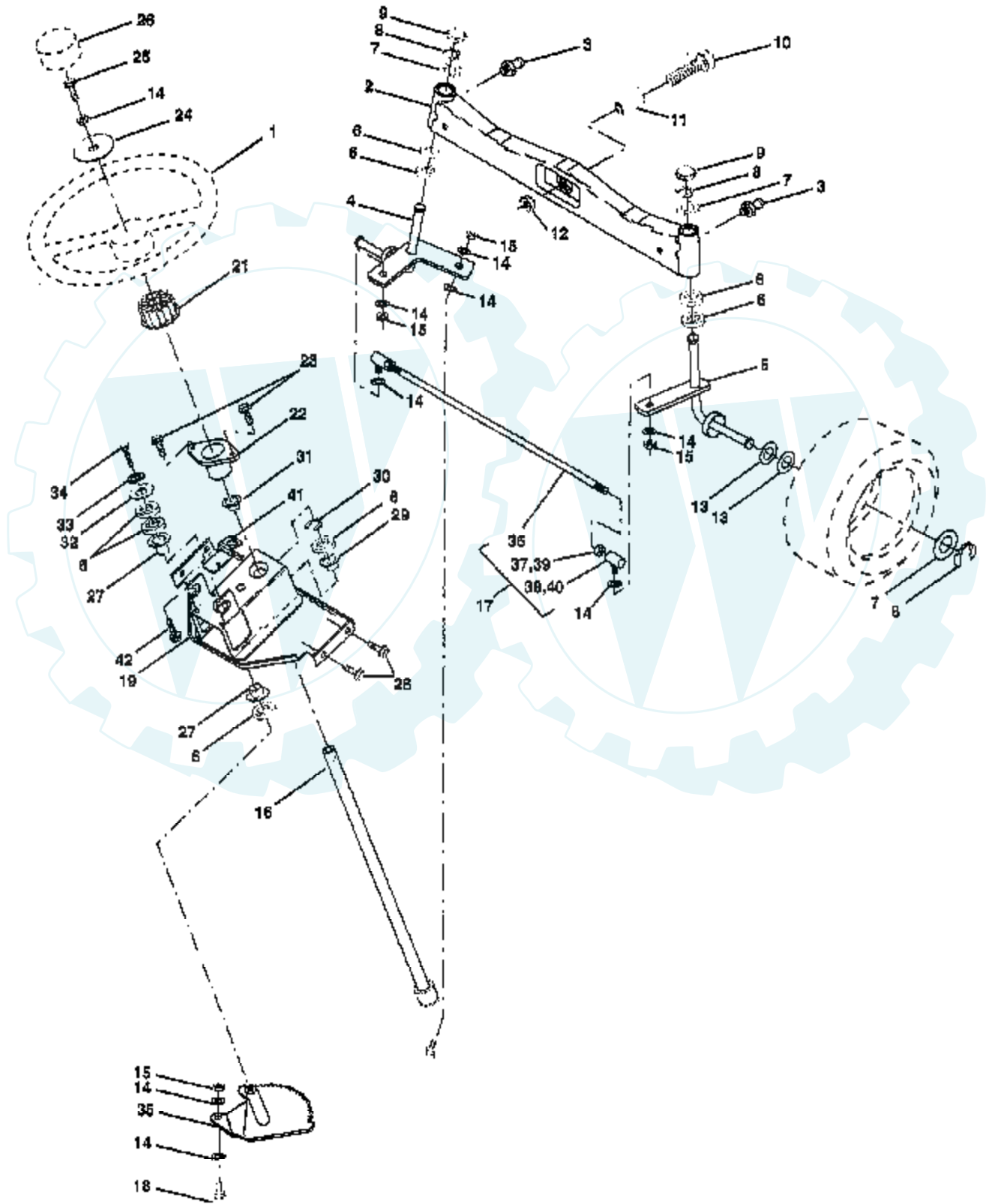
**NOTE:** All component dimensions given in U.S. inches  
1 inch = 25.4 mm

Ref #	Part Number	Qty	Description
1	140117		SEAT.2400/1416.BK
2	140551		BRACKET PVT SEAT
3	140675		STRAP ASM FENDER
4	127018X		"BOLT,SHOULDER"
5	145006		CLIP.PUSH-IN.HING
6	73680600		SUB= 73690600
7	124181X		SPRING COMPRESSIO
8	150176		BOLT.5/16-18.UNC
10	155925		PAN-SEAT
11	10040800		LOCKWASHER
12	121246X		BRKT SWITCH
13	121248X		BUSHING
14	72050412		BOLT-RD HD SQ NK
15	134300		SPLIT SPACER
16	121250X		SPRING
17	123976X		SUB= 73900400
18	19171912		WASHER
20	124238X		CAP SPRING
21	153236		"BOLT,SHOULDER"
22	73680500		SUB= 73690500
23	74780814		BOLT



# TRACTOR - - MODEL NUMBER AYP8188A89

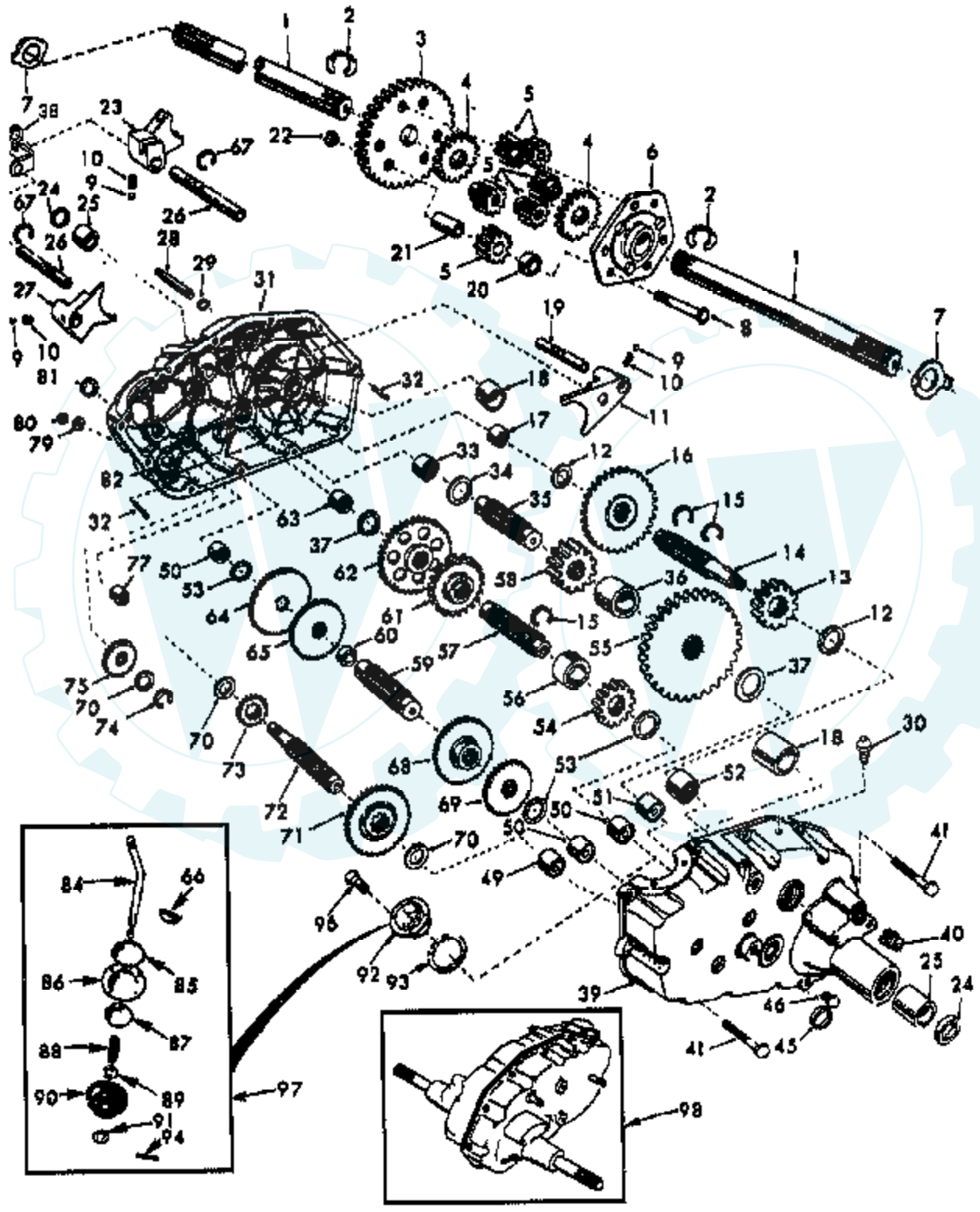
## STEERING ASSEMBLY



Ref #	Part Number	Qty	Description
1	121472X		SUB= 150546
2	137094		SUB= 532137094
3	6855M		ZERK M
4	161849		SPINDLE ASM LH
5	161848		SPINDLE ASM RH
6			CHECK WITH SUPPLIER
7	121748X		WASHER
8	12000029		RING
9	121232X		CAP
10	74781044		BOLT
11	136518		SPACER BEARING
12	73901000		"NUT-LOC,FLANGE LT"
13	121749X		WASHER
14	10040600		LOCKWASHER
15	7810H		GRIPCO NUT
16	145103		SHAFT.STEER.VGT
17	137347		ROD.ASM.TIE.BALL
18	137155		DRAGLINK.BALL.JOI
19	156011		SUPPORT ASM-STEER
21	100711L		ADAPTER LT
22	155105		"BUSHING,STEERING"
23	152927		"SCREW-TT,10-32 FL"
24	19133808		WASHER T
25	74780616		BOLT
26	126805X		"INSERT,STR WHEEL"
27	3366R		COL. SRTG. BEAR.
28	17490612		SCREW
29	104239X		"FLANGE GT, BEAR."
30	12000034		KLIP RING
31	138136		BUSHING.NYLINER.
32	19111610		WASHER
33	10040500		LOCKWASHER
34	74760512		BOLT
35	138059		GEAR.ASM.SECTOR.
36	137156		SUB= 137347
37	73360600		NUT
38	109850X		JOINT.RH
39	73700600		NUT
40	109851X		JOINT.LH
41	155246		"BRKT-SW, INTER"
42			CHECK WITH SUPPLIER

### TRACTOR -- MODEL NUMBER AYP8188A89

#### TRANSAXLE



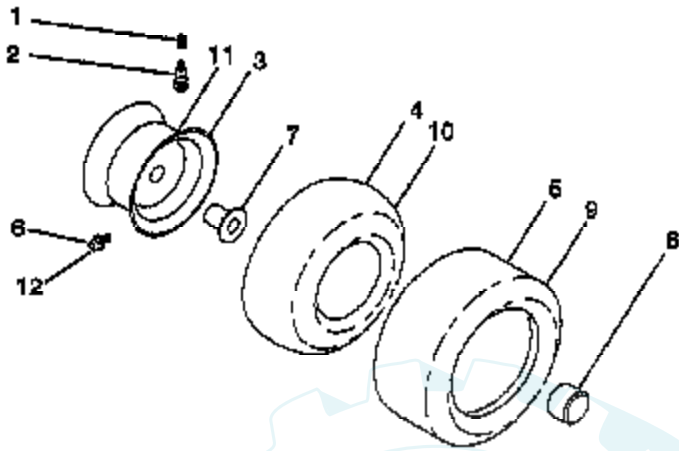


Ref #	Part Number	Qty	Description
1	4197R		SHAFT.AXLE.T
2	12000034		KLIP RING
3	4199R		FINAL GEAR T
4	4216R		DIFF GEAR T
5	4215R		DIFF PINION T
6	4217R		DIFF CARRIER T
7	6256H		WASHER T
8	74020652		BOLT
9	7392M		SUB= 100482K
10	137261		SUB= 145359
11	4985R		SHIFT FORK T
12			CHECK WITH SUPPLIER
13	4212R		RED PINION T
14	137125		SHAFT BRAKE GT
15	6276H		SNAP RING T
16	633A63		GEAR T
17	8118M		"T, BEARING"
18	8740H1		BEARING
19	122238X		SHAFT
20	4218R		SPACER T
21	6252H1		PINION RS
22	7810H		GRIPCO NUT
23	6262H		FORK T
24	7393R		OIL SEAL STD
25	992R1		BRNG. T
26	139111		SHIFT FORK SHAFT
27	4986R		SHIFT FORK T
28	122254X		SHIFT SHAFT
29	6269H		SEAL T
30	5855H		VALVE M
31	139538		GEARCASE RH W/BER
32	6277H		PIN T
33	4225R		NEEDLE BRNG T
34	7396H		RACE T
35	4198R		GEAR SHAFT T
36	4200R		SUB= 532004200
37	7395H		RACE T
38	160789		GAT.LOWE.SHIFT.VGT
39	139536		GEARCASE LH W/BER
40	13320400		PLUG PIPE
41	17580520		BOLT.5/16-18X1.25
45	6271H		SEAL T
46	13060200		SUB= 13020200
49	4895H		"TI, BEARING"
50	4222R		NEEDLE BRNG T
51	1529R		NEEDLE BRNG T
52	8119M		"STD, BEARING"
53	4220R		BRNG RACE
54	4209R		RED PINION T
55	4213R		RED GEAR T
56	4442R		PINION SPACER T
57	4195R		GEAR SHAFT T
58	4214R		FINAL PINION T
59	4194R		GEAR SHAFT T
60	7528R		SPACER T
61	4208R		RED PINION T
62	4207R		RED GEAR T
63	7398H		RACE T

Ref #	Part Number	Qty	Description
64	4203R		LOW SPEED GEA T
65	4204R		REVERSE GEAR T
66	2898J		KEY T
67	12000033		KLIP RING
68	4205R		INTERMED GEAR T
69	4206R		SUB= 532004206
70	1370H		"T, BEARING"
71	633A69		CLUSTER GEAR T
72	139120		SHAFT INPUT
73	4201R		LO SPEED PINION T
74	12000008		KLIP RING
75	1153R		IDLER GEAR T
77	6803J		NEEDLE BEARING TI
79	1167R		WASHER T
80	73360700		NUT
81	6270H		SEAL STD
82	136984		SHAFT REVERSE IDL
84	5384J		GEAR SHIFT LVR T
85	2978J		CAP T
86	633A85		COVER AND PIN T
87	8739H1		GUIDE BALL T
88	4924H		SPRING TI
89	19151516		WASHER
90	110542X		SEAL T
91	19181511		WASHER
92	75J		GEAR SHIFT GA T
93	6274H		GASKET T
94	76020412		COTTER PIN
96	159783		SCREW.HX.W.HD.MAC
97	633A109		GEAR SHFT LVR T
98	161823		TRANSAXLE ASM 6SP
99	160789		GAT.LOWE.SHIFT.VGT

## TRACTOR - - MODEL NUMBER AYP8188A89

### WHEELS & TIRES



**NOTE:** All component dimensions given in U.S. Inches  
1 inch = 25.4 mm

Ref #	Part Number	Qty	Description
1	59192		VALVE CAP
2	65139		VALVE STEM LT
3	106228X427		"RIM ASM 8"" FRT"
4	8134H		TUBE.16X6.5/7.5-8
5	106230X		SUB= 122075X
6	278H		FITTING LT
7	9040H		"FLANGE, BEARING"
8	104757X		HUB CAP
9	105588X		SUB= 122077X
10	7154J		TUBE.23X8/10-12
11	106277X427		"RIM ASM 12"" REAR"
12	6856M		ZERK FITTING M
	144334		SEALANT.TIRE 10 OZ. TUBE

