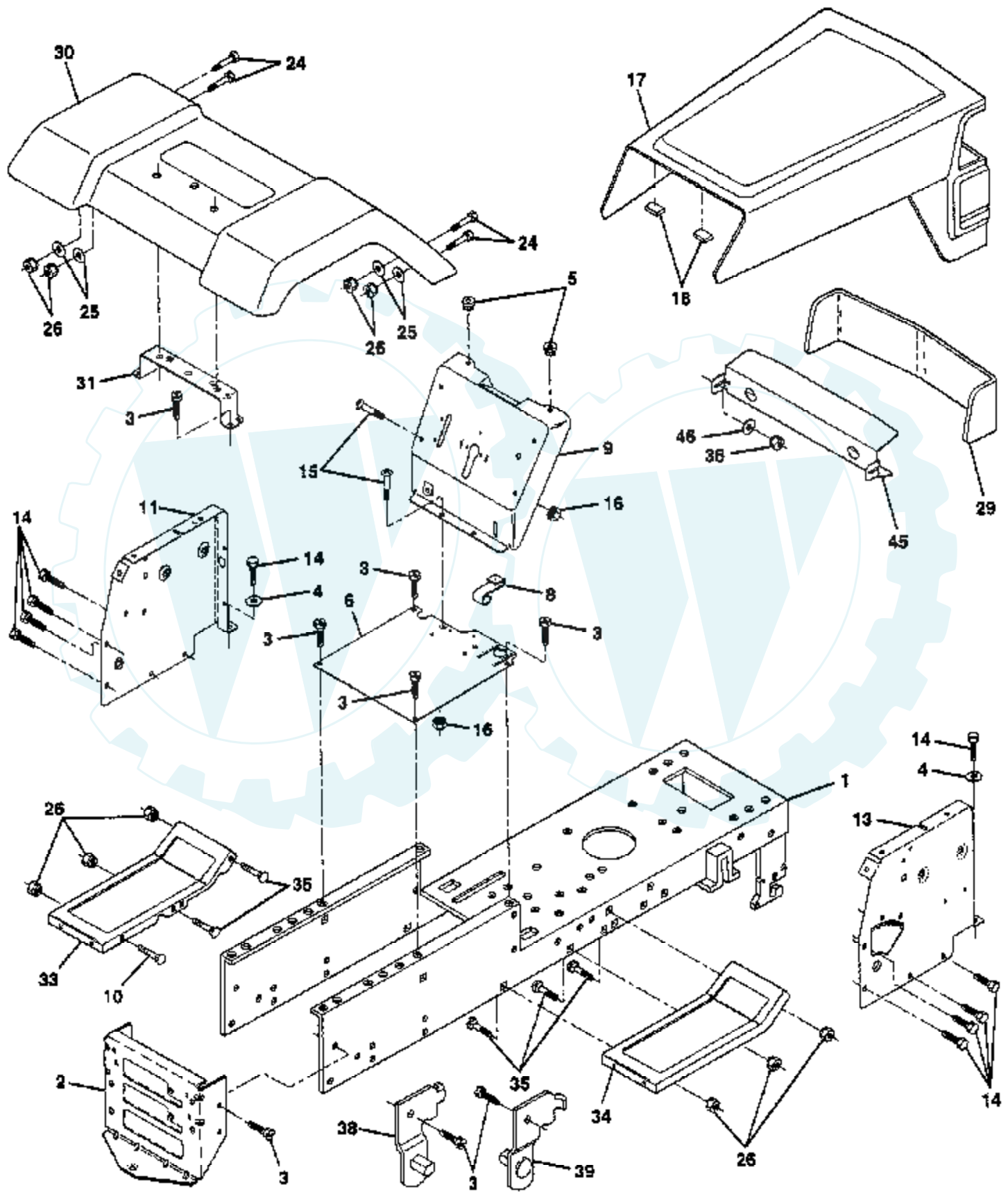


# TRACTOR - - MODEL NUMBER 7H4B6A

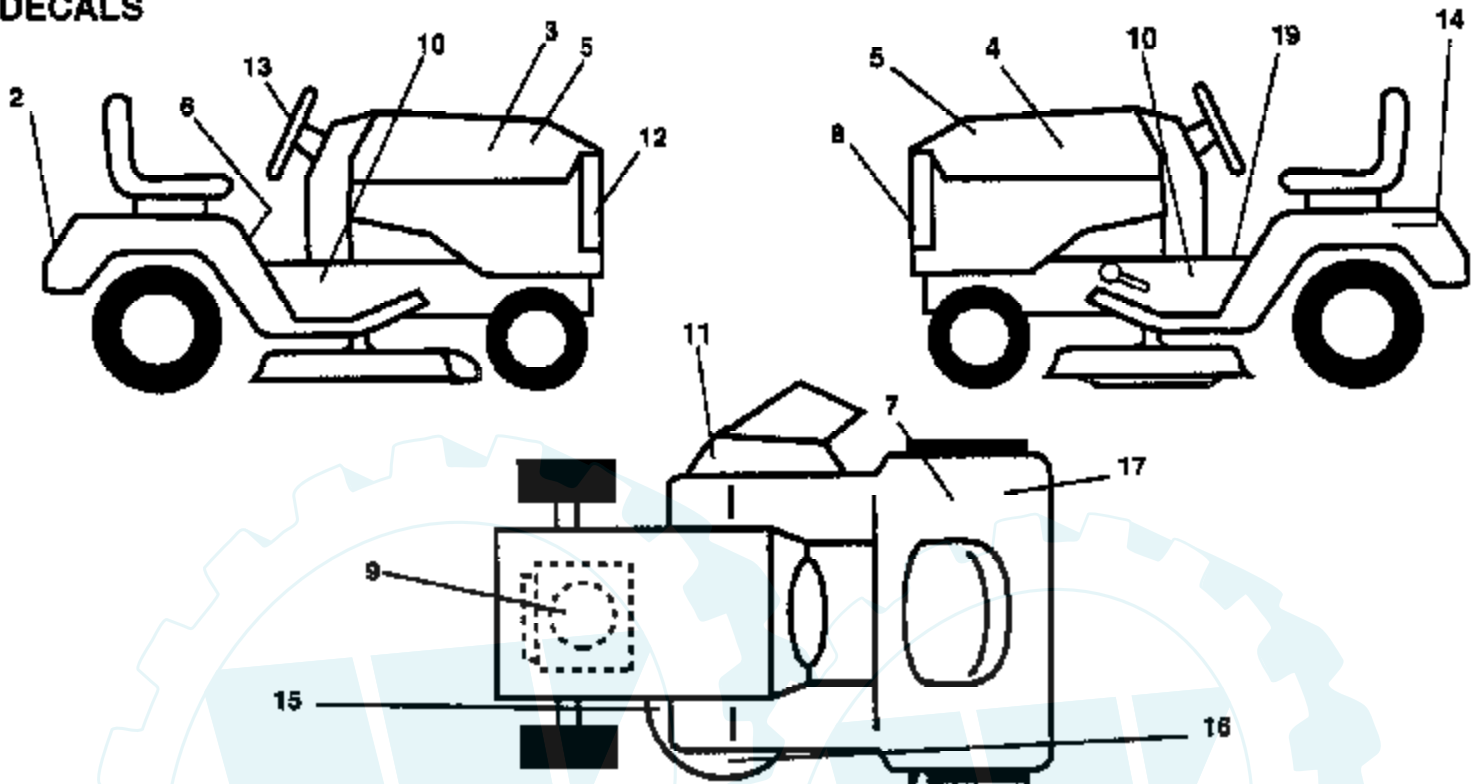
## CHASSIS AND ENCLOSURES



| Ref # | Part Number | Qty | Description       |
|-------|-------------|-----|-------------------|
| 1     | 145501      |     | CHASSIS.WLD.11GA  |
| 2     | 140356      |     | SUB= 145009       |
| 3     | 17490612    |     | SCREW             |
| 4     | 19131216    |     | WASHER            |
| 5     | 146077      |     | SUB= 155272       |
| 6     | 145206      |     | SUB= 145206X431   |
| 8     | 126471X     |     | "CLIP,INSULATOR"  |
| 9     | 146757X011  |     | DASH.SLKSC.LT.1PC |
| 10    | 72140608    |     | SUB= 72110608     |
| 11    | 135464      |     | DASH PANEL LH     |
| 13    | 124031X012  |     | SUB= 155934X010   |
| 14    | 17490608    |     | SCREW LT          |
| 15    | 74180512    |     | SCREW             |
| 16    | 73510500    |     | NUT               |
| 17    | 133956X505  |     | HOOD/GRILL ASM    |
| 18    | 126938X     |     | SUB= 532126938    |
| 24    | 74780616    |     | BOLT              |
| 25    | 19131312    |     | WASHER            |
| 26    | 73800600    |     | NUT               |
| 29    | 133805      |     | SUB= 133954       |
| 30    | 140001X505  |     | FENDER PNT LT     |
| 31    | 136619      |     | BRKT FENDER       |
| 33    | 105476X505  |     | FOOTREST LH       |
| 34    | 105475X505  |     | FOOTREST RH       |
| 35    | 72110606    |     | BOLT              |
| 36    | 108067X     |     | PAL NUT LT        |
| 38    | 139886      |     | BRACKET ASM LH    |
| 39    | 139887      |     | BRACKET ASM RH    |
| 45    | 132257      |     | SUB= 918132257    |
| 46    | 127316X     |     | RETAINER          |
|       | 5479J       |     | PLUG BUTTON T     |

## TRACTOR -- MODEL NUMBER 7H4B6A

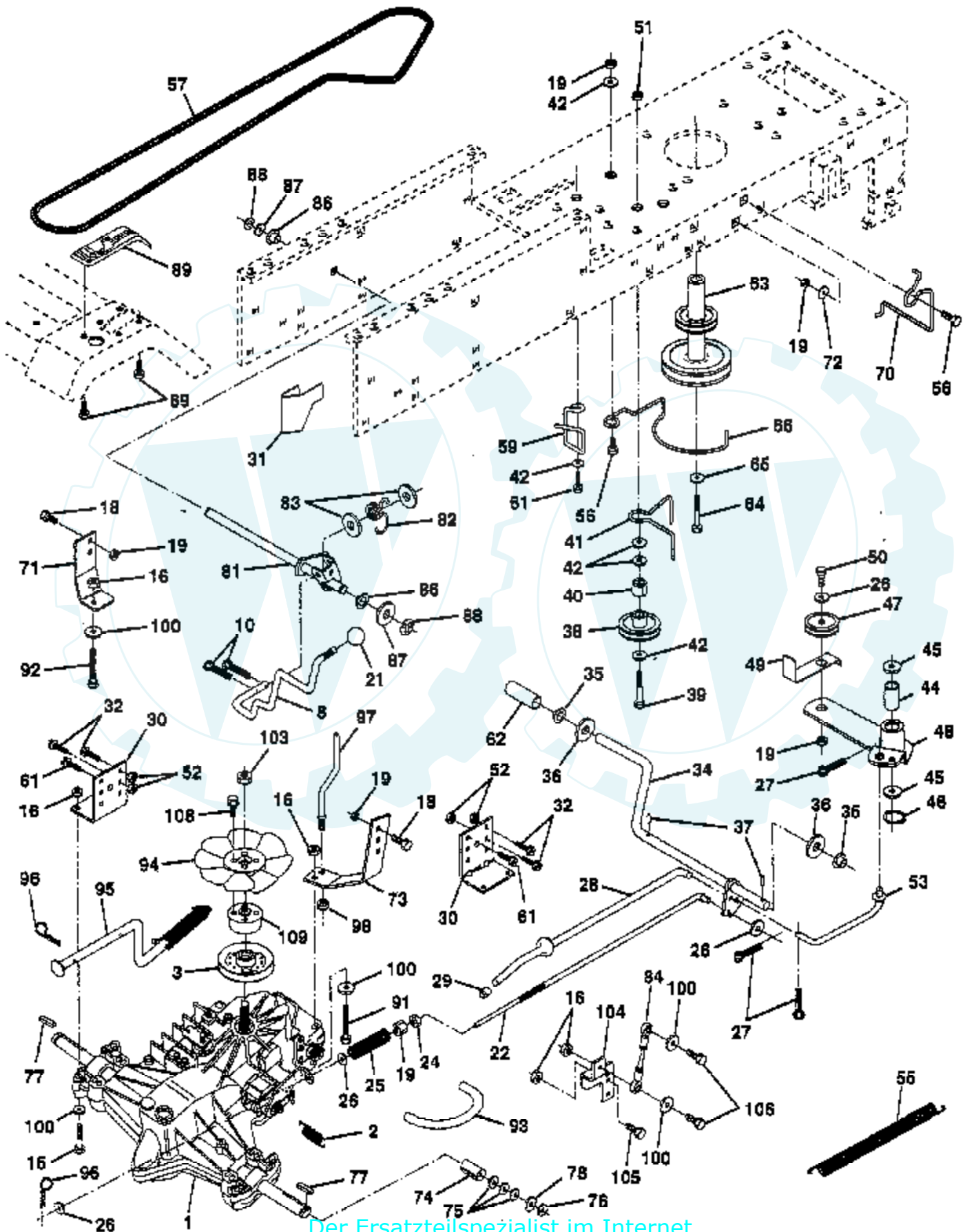
### DECALS



| Ref # | Part Number | Qty | Description           |
|-------|-------------|-----|-----------------------|
| 2     | 132628      |     | FENDER DECAL          |
| 3     | 141745      |     | DECAL HOOD RH RLY     |
| 4     | 141746      |     | DECAL HOOD LH RLY     |
| 5     | 135866      |     | NLA                   |
| 6     | 145498      |     | DECAL.READ.O.MANU     |
| 7     | 145437      |     | DECAL.EURO.ST.CE.     |
| 8     | 129823      |     | NLA                   |
| 9     | 272632      |     | DECAL, HP ENGINE      |
| 10    | 141801      |     | DECAL CHAS 42 HYD     |
| 11    | 145494      |     | DECAL.DANGER.CUTF     |
| 12    | 132627      |     | GRILL DECAL           |
| 13    | 127075      |     | "DECAL,STR WHL"       |
| 14    | 145005      |     | DECAL.BATRY.3-3908    |
| 15    | 136832      |     | DECAL                 |
| 16    | 135013      |     | NLA                   |
| 17    | 125690X     |     | DECAL                 |
| 19    | 140837      |     | DECAL BRAK PARK       |
|       | 138311      |     | DECAL HANDLE LIFT     |
|       | 142341      |     | DECAL DRAWBAR LH      |
|       | 146157      |     | MANUAL.OP.GEN.LT.     |
|       | 148781      |     | MANUAL.P.7H4B6A       |
|       | LBD48       |     | SNOW BLADE            |
|       | LSB42       |     | SNOW THROWER          |
|       | C42         |     | GRASS CATCHER         |
|       | LC05        |     | WHEEL WTS.            |
|       | LA018       |     | TIRE CHAINS           |
|       | MK420       |     | MULCHING KIT W/BLADES |

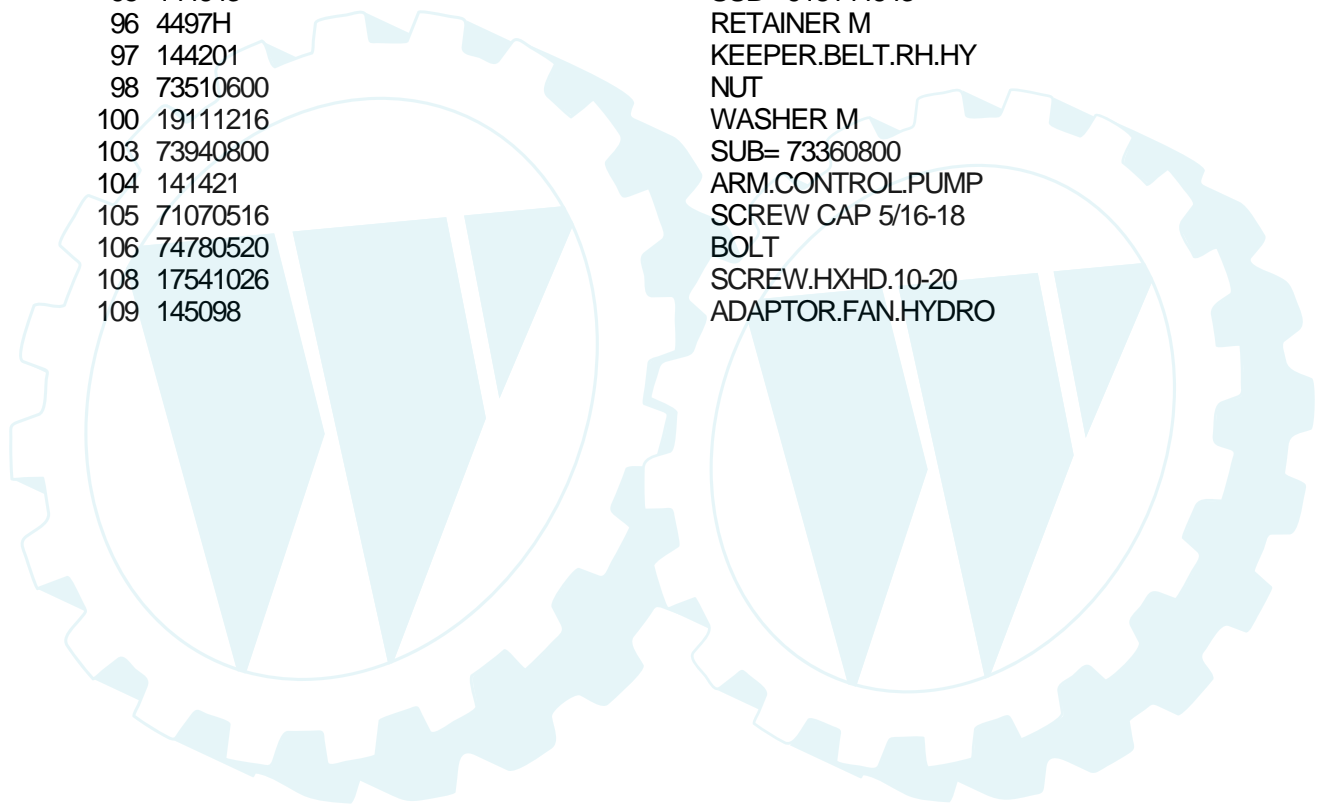
# TRACTOR - - MODEL NUMBER 7H4B6A

## DRIVE



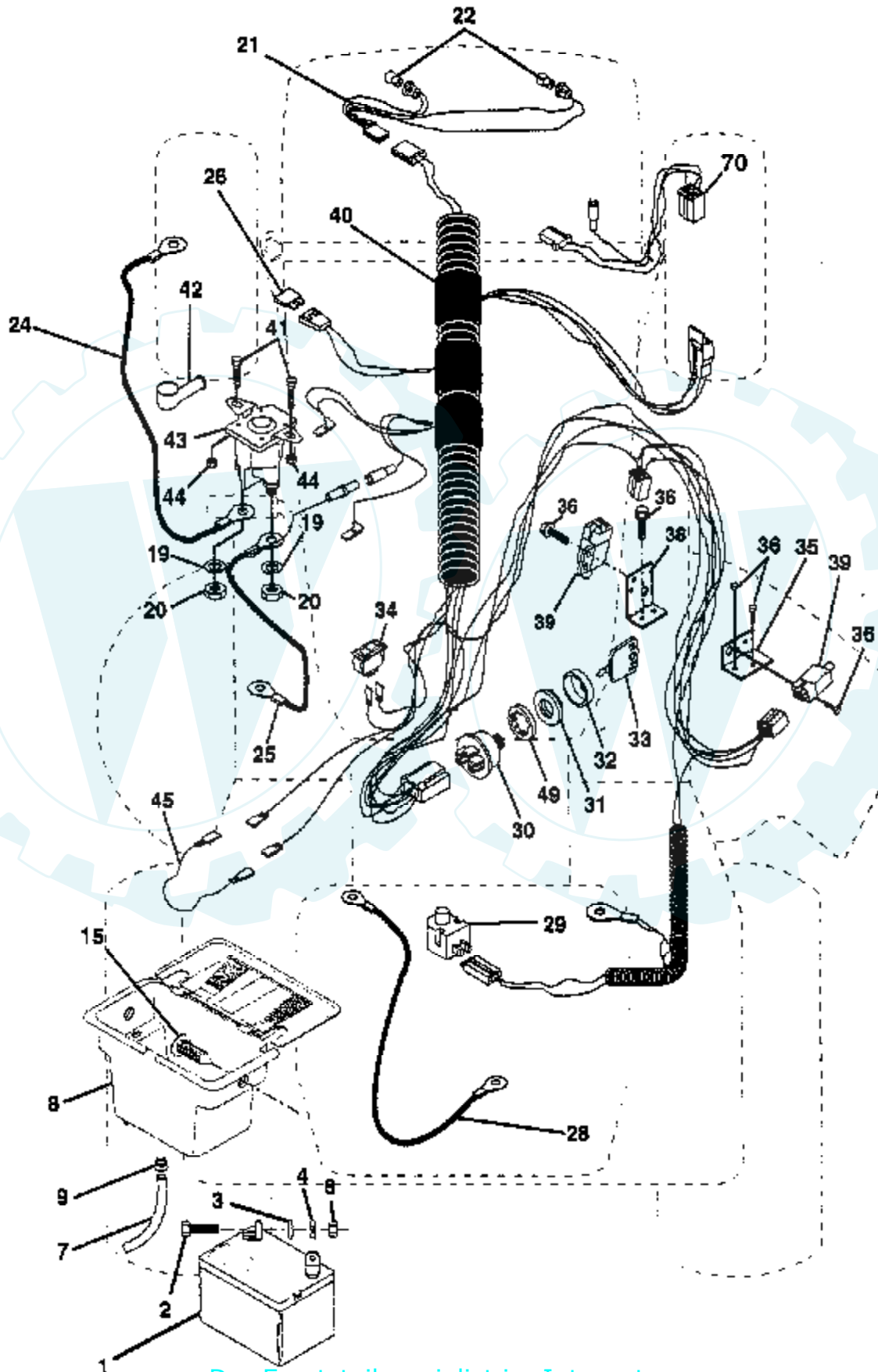
| Ref # | Part Number | Qty | Description             |
|-------|-------------|-----|-------------------------|
| 1     | 140607      |     | TRANSAXLE HYD 0319-0500 |
| 2     | 142431      |     | SPRING RET BRAKE        |
| 3     | 144698      |     | PULLEY.4.20.HYDRO       |
| 8     | 141003      |     | ROD SHIFT FEND LT       |
| 10    | 76020416    |     | PIN COTTER 1/8          |
| 15    | 74780544    |     | BOLT HEX                |
| 16    | 73800500    |     | NUT                     |
| 18    | 74780616    |     | BOLT                    |
| 19    | 73800600    |     | NUT                     |
| 21    | 106933X     |     | KNOB T (1/2-HOLE)       |
| 22    | 145627      |     | ROD.BRAKE.HYDRO.        |
| 24    | 73350600    |     | NUT                     |
| 25    | 106888X     |     | SPRING ROD LT           |
| 26    | 19131316    |     | WASHER                  |
| 27    | 76020412    |     | COTTER PIN              |
| 28    | 145204      |     | ROD.BRAKE.PARK.LT       |
| 29    | 71673       |     | PLUNGER CAP T           |
| 30    | 130807      |     | TRANSAXLE MTG BKT       |
| 31    | 127275X     |     | "KEEPER,BELT LH T"      |
| 32    | 74760512    |     | BOLT                    |
| 34    | 149001      |     | SHAFT.PEDAL.FOOT        |
| 35    | 120183X     |     | NYLON BEARING           |
| 36    | 19211616    |     | WASHER LT               |
| 37    | 1572H       |     | SUB= 2882J              |
| 38    | 123674X     |     | PULLEY.IDLER.FLAT       |
| 39    | 74760644    |     | BOLT                    |
| 40    | 4470J       |     | SPACER T                |
| 41    | 109070X     |     | BELT KEEPER LT          |
| 42    | 19131312    |     | WASHER                  |
| 44    | 105706X     |     | "LY, BEARING"           |
| 45    | 110812X     |     | WASHER LT               |
| 46    | 12000039    |     | KLIP RING               |
| 47    | 127783      |     | SUB= 139245             |
| 48    | 123789X     |     | ARM IDLER               |
| 49    | 123205X     |     | RETAIN BELT             |
| 50    | 74760624    |     | SUB= 74930624           |
| 51    | 73680600    |     | SUB= 73690600           |
| 52    | 73680500    |     | SUB= 73690500           |
| 53    | 105710X     |     | "LINK, CLUTCH T"        |
| 55    | 105709X     |     | "SPRING, RETURN LT"     |
| 56    | 74760620    |     | SUB= 74780620           |
| 57    | 141416      |     | BELT-V.HYDR.84.61       |
| 59    | 140312      |     | KEEPER BELT CNTSP       |
| 61    | 17490612    |     | SCREW                   |
| 62    | 8883R       |     | PEDAL COVER T           |
| 63    | 140186      |     | PULLEY.ENGINE           |
| 64    | 71170764    |     | BOLT                    |
| 65    | 10040700    |     | LOCKWASHER              |
| 66    | 129921      |     | KEEPER.BELT.ENG.L       |
| 69    | 142432      |     | SCREW HEXWSH H-L        |
| 70    | 134683      |     | KEEPER BELT ENG         |
| 71    | 141417      |     | STRAP.TORQ.LH.HYD       |
| 72    | 19132012    |     | WASHER                  |
| 73    | 141418      |     | STRAP.TORQ.RH.HYD       |
| 74    | 121199X     |     | SPACER SPLIT            |
| 75    | 121749X     |     | WASHER                  |
| 76    | 12000001    |     | E-RING LT               |
| 77    | 123583X     |     | SQUARE KEY              |

| Ref # | Part Number | Qty | Description        |
|-------|-------------|-----|--------------------|
| 78    | 121748X     |     | WASHER             |
| 81    | 141420      |     | SHAFT.CROSS.HYD    |
| 82    | 123782X     |     | "SPRING,TORSION"   |
| 83    | 19171216    |     | WASHER             |
| 84    | 141423      |     | ROD.TIE.BALL.HYD.  |
| 86    | 71208       |     | BUSHING            |
| 87    | 19212016    |     | WASHER D           |
| 88    | 12000008    |     | KLIP RING          |
| 89    | 139988      |     | SUB= 153764        |
| 91    | 74780536    |     | NLA                |
| 92    | 74780524    |     | HEX BOLT           |
| 93    | 142564      |     | "LINE FUEL HYD 4"" |
| 94    | 140462      |     | "FAN 7"" HYDRO"    |
| 95    | 144643      |     | SUB= 918144643     |
| 96    | 4497H       |     | RETAINER M         |
| 97    | 144201      |     | KEEPER.BELT.RH.HY  |
| 98    | 73510600    |     | NUT                |
| 100   | 19111216    |     | WASHER M           |
| 103   | 73940800    |     | SUB= 73360800      |
| 104   | 141421      |     | ARM.CONTROL.PUMP   |
| 105   | 71070516    |     | SCREW CAP 5/16-18  |
| 106   | 74780520    |     | BOLT               |
| 108   | 17541026    |     | SCREW.HXHD.10-20   |
| 109   | 145098      |     | ADAPTOR.FAN.HYDRO  |



### TRACTOR -- MODEL NUMBER 7H4B6A

### ELECTRICAL

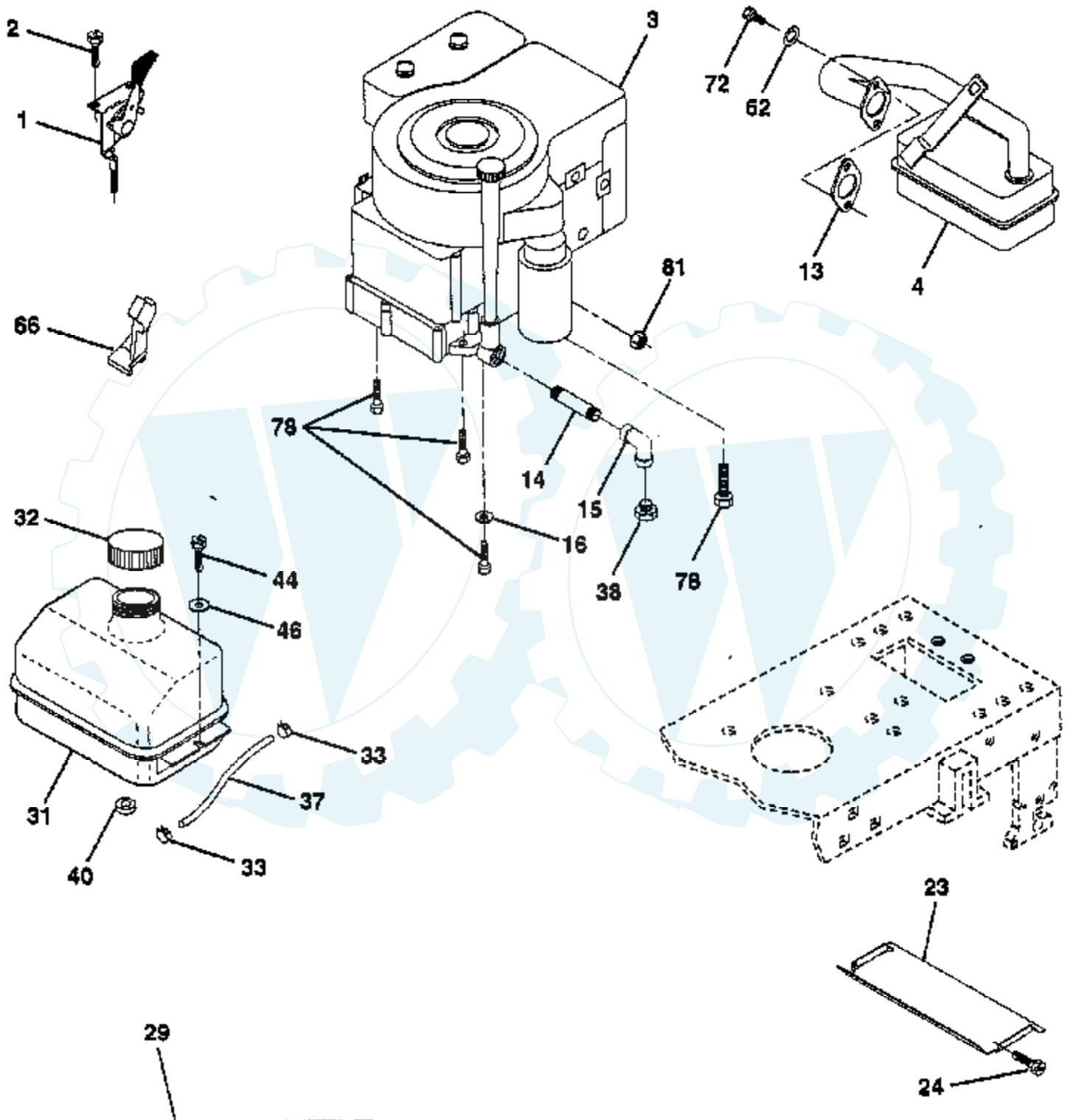




| Ref # | Part Number | Qty | Description         |
|-------|-------------|-----|---------------------|
| 1     | 144925      |     | SUB= 123899X        |
| 2     | 74760412    |     | BOLT LT             |
| 3     | 19091016    |     | WASHER              |
| 4     | 10040400    |     | LOCKWASHER          |
| 6     | 73220400    |     | SUB= 50675          |
| 7     | 109238X     |     | TUBE T              |
| 8     | 144940      |     | SUB= 156417         |
| 9     | 109596X     |     | HOSE CLAMP T        |
| 15    | 147688      |     | FASTNER.SNAP-IN     |
| 19    | 10090400    |     | SUB= 10040400       |
| 20    | 73350400    |     | NUT                 |
| 21    | 136850      |     | "HARNESS,LIGHT SOC" |
| 22    | 4152J       |     | HEADLAMP BULB       |
| 24    | 4799J       |     | "CABLE T, BATTERY"  |
| 25    | 146147      |     | CABLE.BTRY.6GA.RD   |
| 26    | 108824X     |     | FUSE HYT            |
| 28    | 4207J       |     | CABLE T             |
| 29    | 121305X     |     | SWITCH SEAT         |
| 30    | 144921      |     | SUB= 163088         |
| 31    | 140400      |     | SUB= 145774         |
| 32    | 141226      |     | COVER KEY SWITCH    |
| 33    | 140401      |     | KEY MLD GEN DELTA   |
| 34    | 110712X     |     | SWITCH LT           |
| 35    | 108236X     |     | BRACKET LT          |
| 36    | 17021008    |     | SCREW               |
| 38    | 140336      |     | BRACKET SWITCH IN   |
| 39    | 109553X     |     | SWITCH INTERLOCKT   |
| 40    | 146057      |     | HARNESS.IGN.DASH.   |
| 41    | 71110408    |     | BOLT HXHD FIN       |
| 42    | 131563      |     | SUB= 154336         |
| 43    | 145673      |     | SUB= 146154         |
| 44    | 73640400    |     | NUT HXKEP 1/4X20    |
| 45    | 140844      |     | ADAPTER AMMETER     |
| 49    | 11151000    |     | LOCKWASHER          |
| 70    | 140413      |     | HARNESS ENG DUAL    |

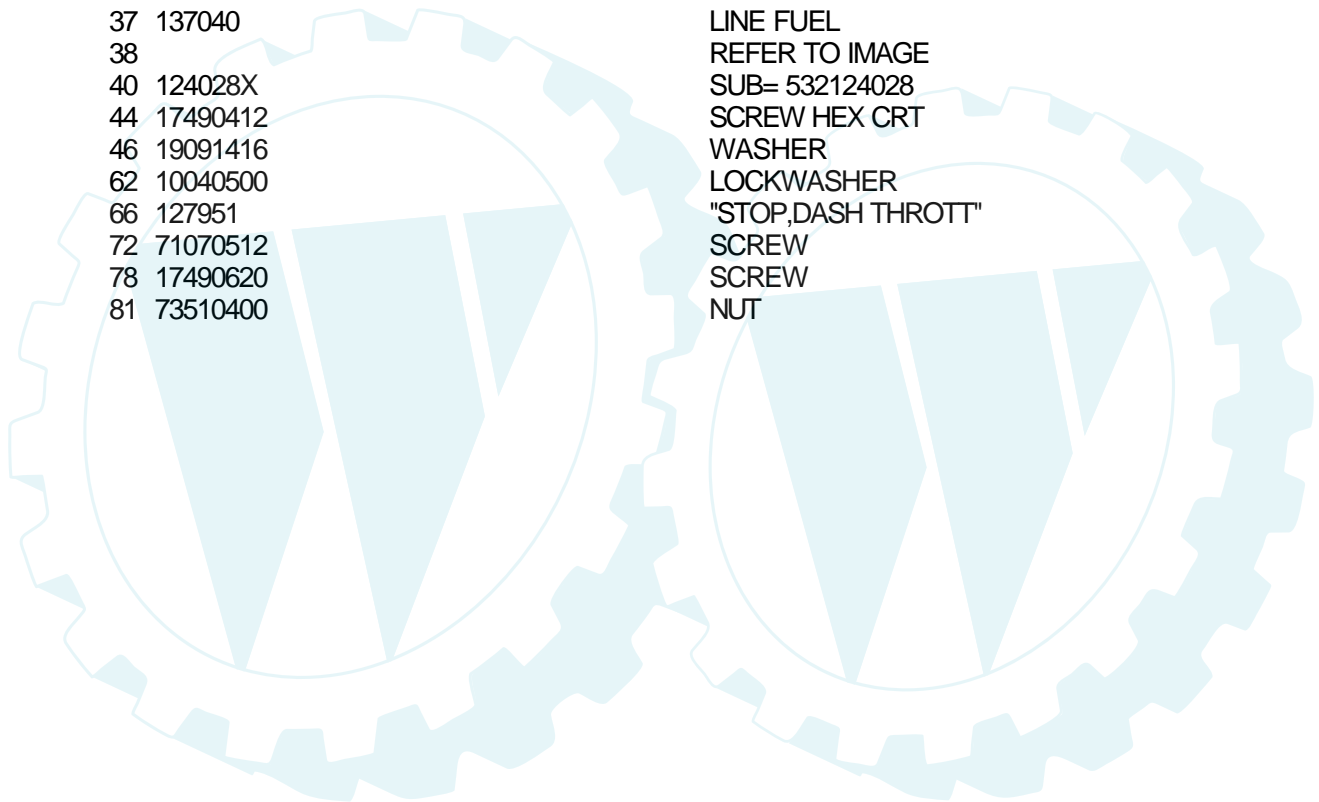
# TRACTOR - - MODEL NUMBER 7H4B6A

## ENGINE



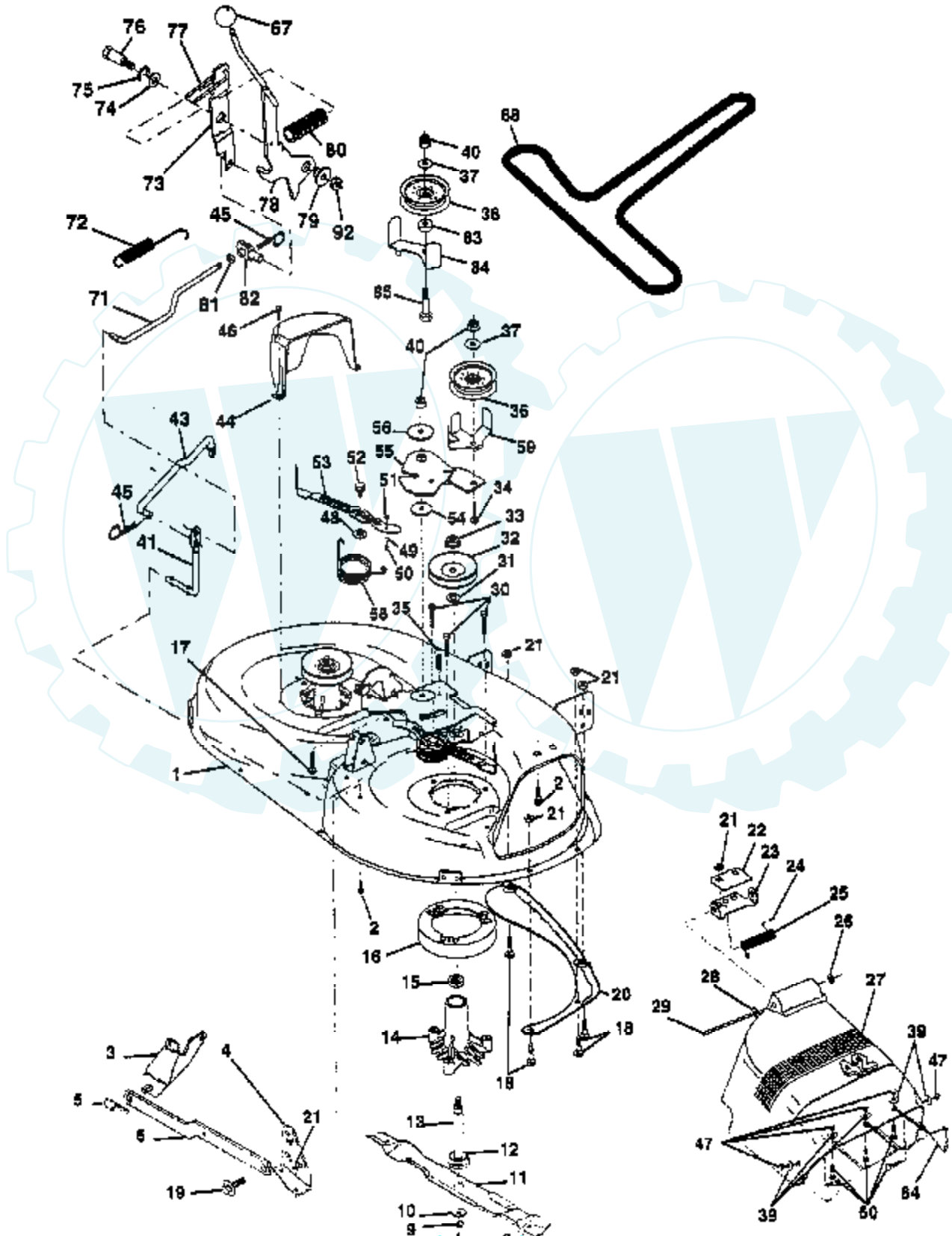
**OPTIONAL EQUIPMENT**  
**Spark Arrester**

| Ref # | Part Number | Qty | Description                    |
|-------|-------------|-----|--------------------------------|
| 1     | 132623      |     | SUB= 532132623                 |
| 2     | 17720410    |     | SCREW LT                       |
| 3     |             |     | REFER TO IMAGE                 |
| 4     | 137348      |     | MUFFLER                        |
| 13    | 272293      |     | GASKET ENG 1 313 LD TIN PLATED |
| 14    | 13280324    |     | PIPE NIPPLE                    |
| 15    | 13200300    |     | ELBOW                          |
| 16    | 11050600    |     | LOCKWASHER                     |
| 23    | 128953      |     | HEAT SHIELD                    |
| 24    | 17021008    |     | SCREW                          |
| 29    | 137180      |     | SUB= 532137180                 |
| 31    | 109202X     |     | TANK.FUEL.LT.                  |
| 32    | 140527      |     | CAP ASM FUEL                   |
| 33    | 123487X     |     | HOSE CLAMP                     |
| 37    | 137040      |     | LINE FUEL                      |
| 38    |             |     | REFER TO IMAGE                 |
| 40    | 124028X     |     | SUB= 532124028                 |
| 44    | 17490412    |     | SCREW HEX CRT                  |
| 46    | 19091416    |     | WASHER                         |
| 62    | 10040500    |     | LOCKWASHER                     |
| 66    | 127951      |     | "STOP,DASH THROTT"             |
| 72    | 71070512    |     | SCREW                          |
| 78    | 17490620    |     | SCREW                          |
| 81    | 73510400    |     | NUT                            |



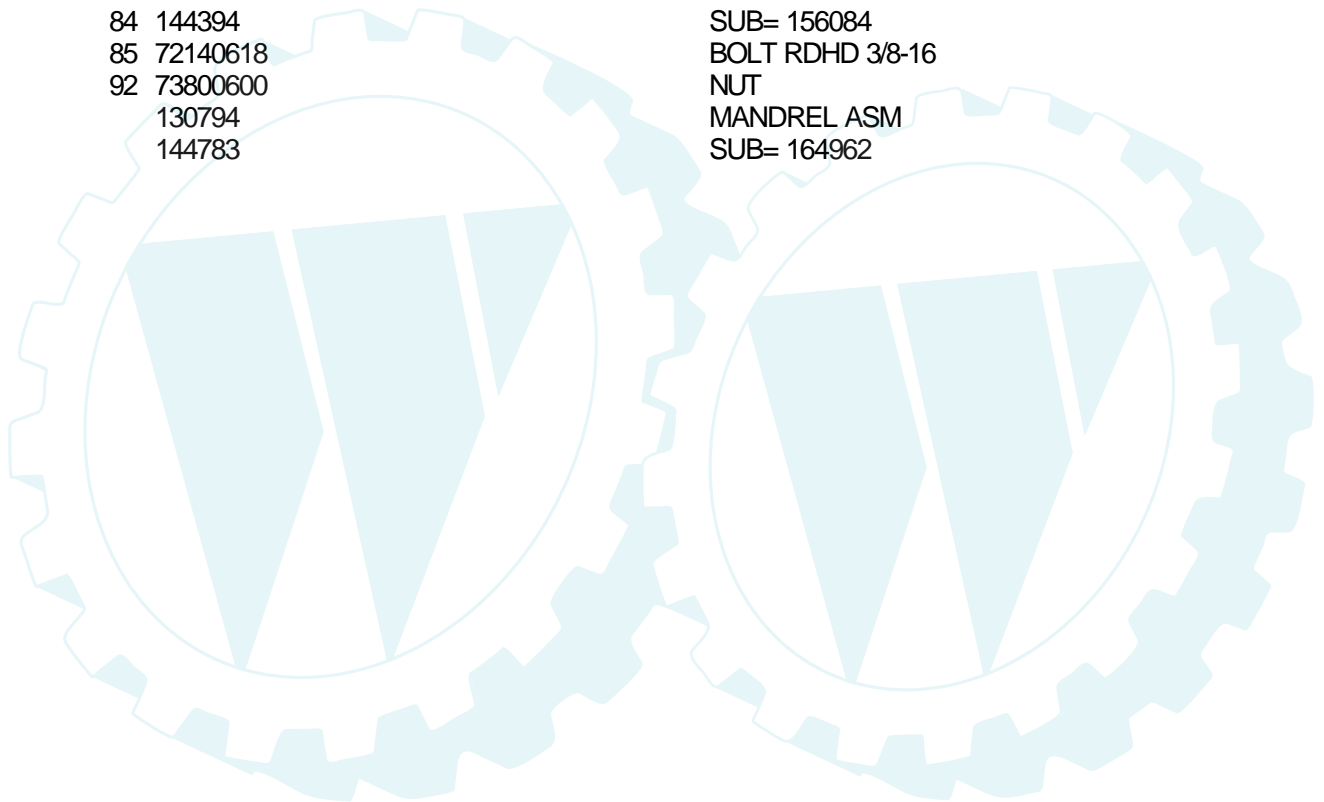
# TRACTOR - - MODEL NUMBER 7H4B6A

## MOWER DECK



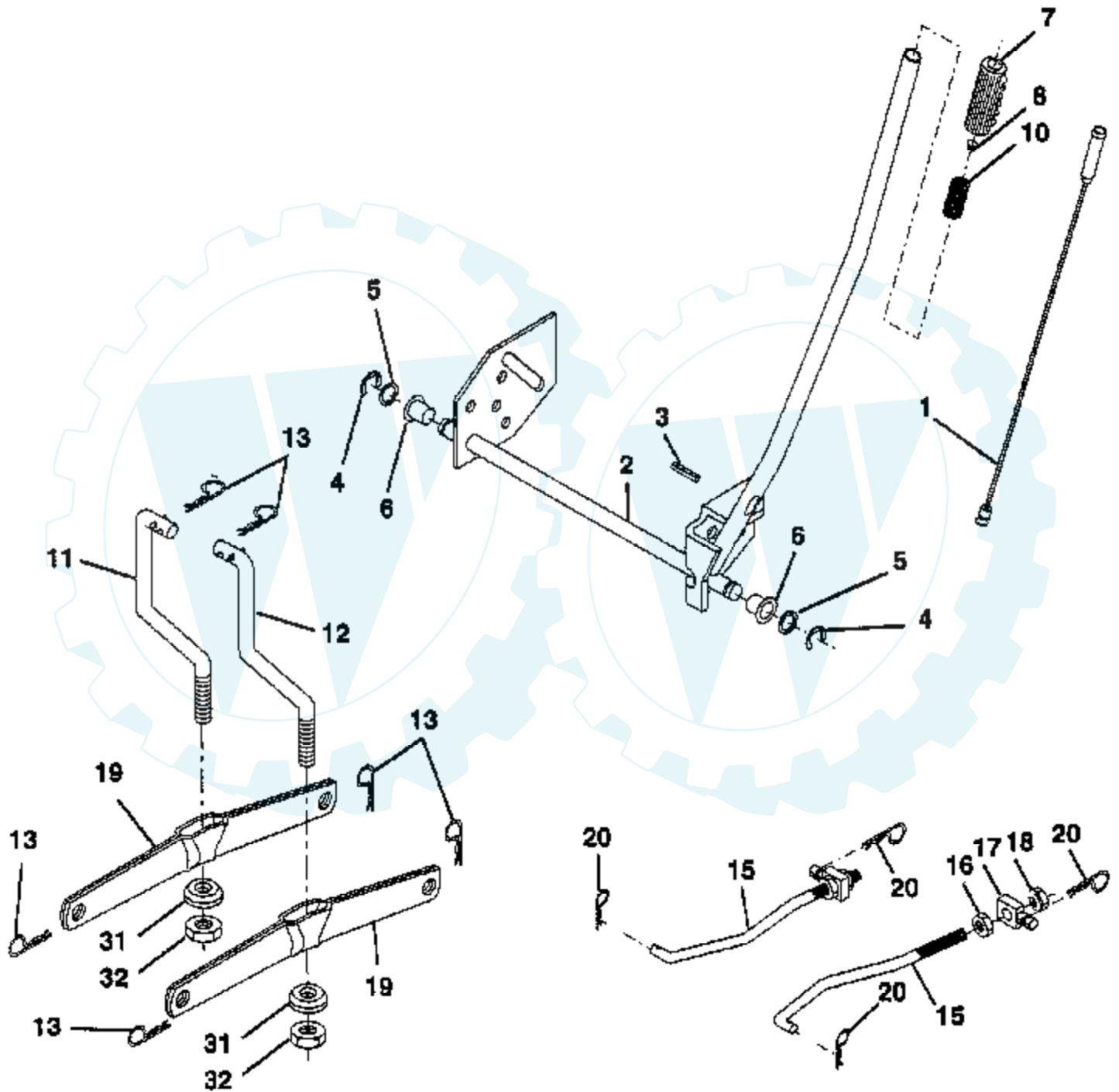
| Ref # | Part Number | Qty | Description         |
|-------|-------------|-----|---------------------|
| 1     | 144393      |     | DECK.WELD.42.       |
| 2     | 72140506    |     | BOLT                |
| 3     | 138017      |     | BRKT ASM SWAY BAR   |
| 4     | 138440      |     | BRKT DECK SW BAR    |
| 5     | 4939M       |     | SUB= 85902          |
| 6     | 130832      |     | SUB= 130833         |
| 8     | 850857      |     | BLADE BOLT          |
| 9     | 10030600    |     | SUB= 10040600       |
| 10    | 140296      |     | WASHER.HARD.BLADE   |
| 11    | 138498      |     | "BLADE.42"" HIPERF" |
| 12    | 129895      |     | BEARING.BALL        |
| 13    | 137645      |     | SUB= 137646         |
| 14    | 128774      |     | HSG ASM MANDREL     |
| 15    | 110485X     |     | BEARING             |
| 16    | 140329      |     | STRIPPER RND MWR    |
| 17    | 72110610    |     | BOLT RDHD 3/8-16    |
| 18    | 72140505    |     | BOLT                |
| 19    | 132827      |     | BOLT SHD 5/16-18    |
| 20    | 136888      |     | SUB= 918136888      |
| 21    | 73680500    |     | SUB= 73690500       |
| 22    | 134753      |     | STIFFENER BRKT      |
| 23    | 131267      |     | DEFLECTOR BRKT      |
| 24    | 105304X     |     | CAP-SLEEVE LT       |
| 25    | 123713X     |     | SPRING TORSION      |
| 26    | 110452X     |     | NUT PUSH M          |
| 27    | 139450      |     | DEFLECTOR.CLIP.TU   |
| 28    | 19111016    |     | WASHER              |
| 29    | 131491      |     | HINGE ROD           |
| 30    | 138776      |     | SUB= 157722         |
| 31    | 129963      |     | WASHER              |
| 32    | 129861      |     | SUB= 153535         |
| 33    | 137266      |     | SUB= 139729         |
| 34    | 72110614    |     | BOLT                |
| 35    | 133835      |     | XMAS TREE FASTNER   |
| 36    | 131494      |     | FLAT IDLER PULLEY   |
| 37    | 19131316    |     | WASHER              |
| 39    | 19070718    |     | NLA                 |
| 40    | 73680600    |     | SUB= 73690600       |
| 41    | 133551      |     | PIVOT ROD           |
| 43    | 140083      |     | ROD CLUTCH W/NIBS   |
| 44    | 140088      |     | GUARD MAND LH BLK   |
| 45    | 4497H       |     | RETAINER M          |
| 46    | 137729      |     | SCREW.1/4-20X5/8    |
| 47    | 60867       |     | ACORN NUT RB        |
| 48    | 133944      |     | HARD SMALL WASHER   |
| 49    | 133940      |     | SUB= 151785         |
| 50    | 131340      |     | SHOULDER BOLT       |
| 51    | 69180       |     | LOCKNUT             |
| 52    | 139888      |     | BOLT.SHLD.5/16-18   |
| 53    | 131845      |     | BRAKE PAD ARM ASM   |
| 54    | 133943      |     | HARDENED WASHER     |
| 55    | 140084      |     | SUB= 151785         |
| 56    | 122052X     |     | SPACER RETAINER     |
| 58    | 140086      |     | SPRING TORSN BRAK   |
| 59    | 141043      |     | GUARD IDLER TUV     |
| 60    | 71161010    |     | SCREW               |
| 64    | 139328      |     | GUARD FOOTREST.42   |
| 67    | 106932X     |     | KNOB T(3/8 HOLE)    |

| Ref # | Part Number | Qty | Description       |
|-------|-------------|-----|-------------------|
| 68    | 144200      |     | BELT.V.T-PATH     |
| 71    | 142427      |     | ROD CLUTCH 38/42  |
| 72    | 131870      |     | RETURN SPRING     |
| 73    | 127847      |     | CLUTCH ARM SECOND |
| 74    | 121748X     |     | WASHER            |
| 75    | 12000029    |     | RING              |
| 76    | 128903      |     | SHOULDER BOLT     |
| 77    | 127845      |     | SPRING KEEPER     |
| 78    | 140334      |     | SUB= 154810       |
| 79    | 127498      |     | BUSHING           |
| 80    | 128759      |     | SUB= 918128759    |
| 81    | 73350600    |     | NUT               |
| 82    | 142028      |     | TRUNION ADJ       |
| 83    | 120958X     |     | WASHER            |
| 84    | 144394      |     | SUB= 156084       |
| 85    | 72140618    |     | BOLT RDHD 3/8-16  |
| 92    | 73800600    |     | NUT               |
|       | 130794      |     | MANDREL ASM       |
|       | 144783      |     | SUB= 164962       |

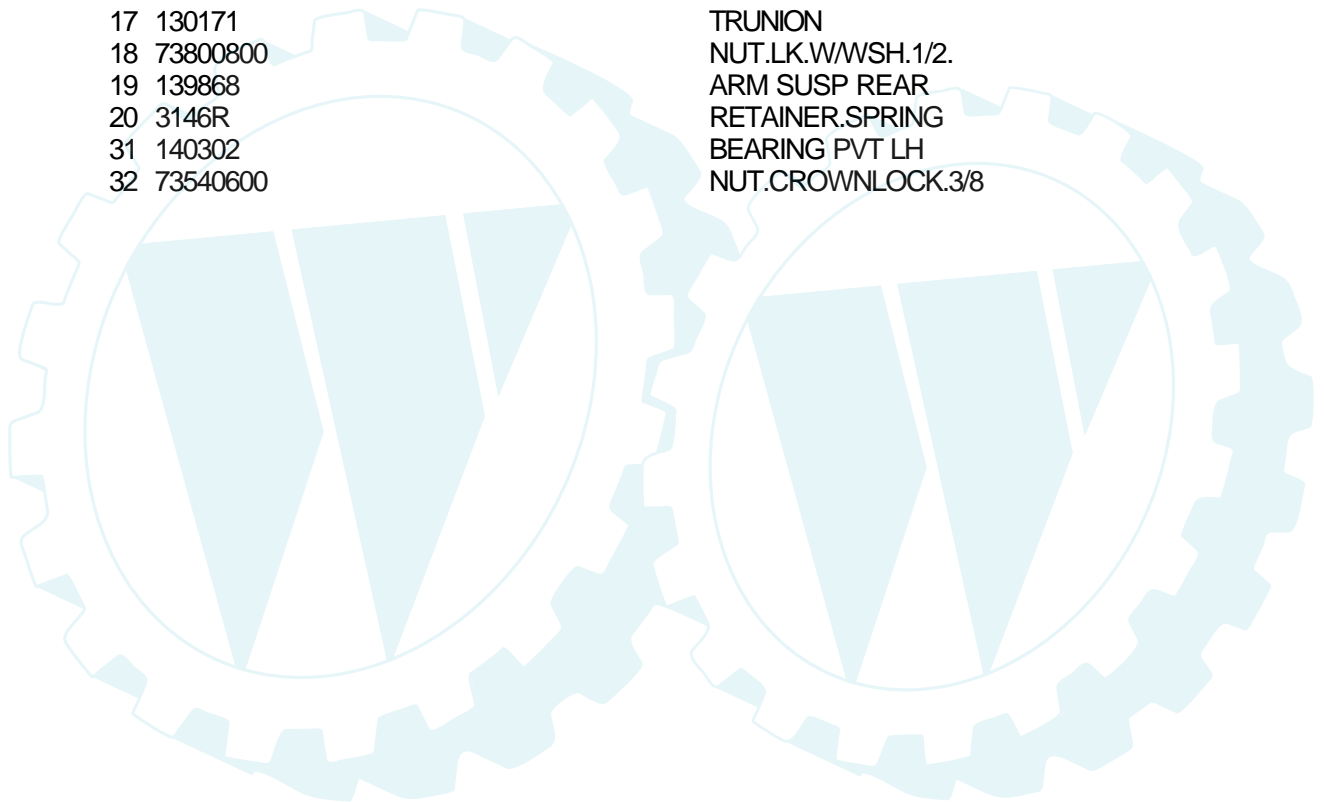


# TRACTOR - - MODEL NUMBER 7H4B6A

## MOWER LIFT



| Ref # | Part Number | Qty | Description       |
|-------|-------------|-----|-------------------|
| 1     | 136973      |     | WIRE ASM          |
| 2     | 122507X     |     | SUB= 145117       |
| 3     | 105767X     |     | PIN-GROOVE LT     |
| 4     | 12000002    |     | SUB= 2225J        |
| 5     | 19211621    |     | WASHER            |
| 6     | 120183X     |     | NYLON BEARING     |
| 7     | 109413X     |     | GRIP              |
| 8     | 124526X     |     | SUB= 125925X      |
| 10    | 122512X     |     | SUB= 532122512    |
| 11    | 139865      |     | SUB= 918139865    |
| 12    | 139866      |     | SUB= 151140       |
| 13    | 4939M       |     | SUB= 85902        |
| 15    | 127218      |     | LINK.FRONT        |
| 16    | 73350800    |     | NUT               |
| 17    | 130171      |     | TRUNION           |
| 18    | 73800800    |     | NUT.LK.W/WSH.1/2. |
| 19    | 139868      |     | ARM SUSP REAR     |
| 20    | 3146R       |     | RETAINER.SPRING   |
| 31    | 140302      |     | BEARING PVT LH    |
| 32    | 73540600    |     | NUT.CROWNLOCK.3/8 |

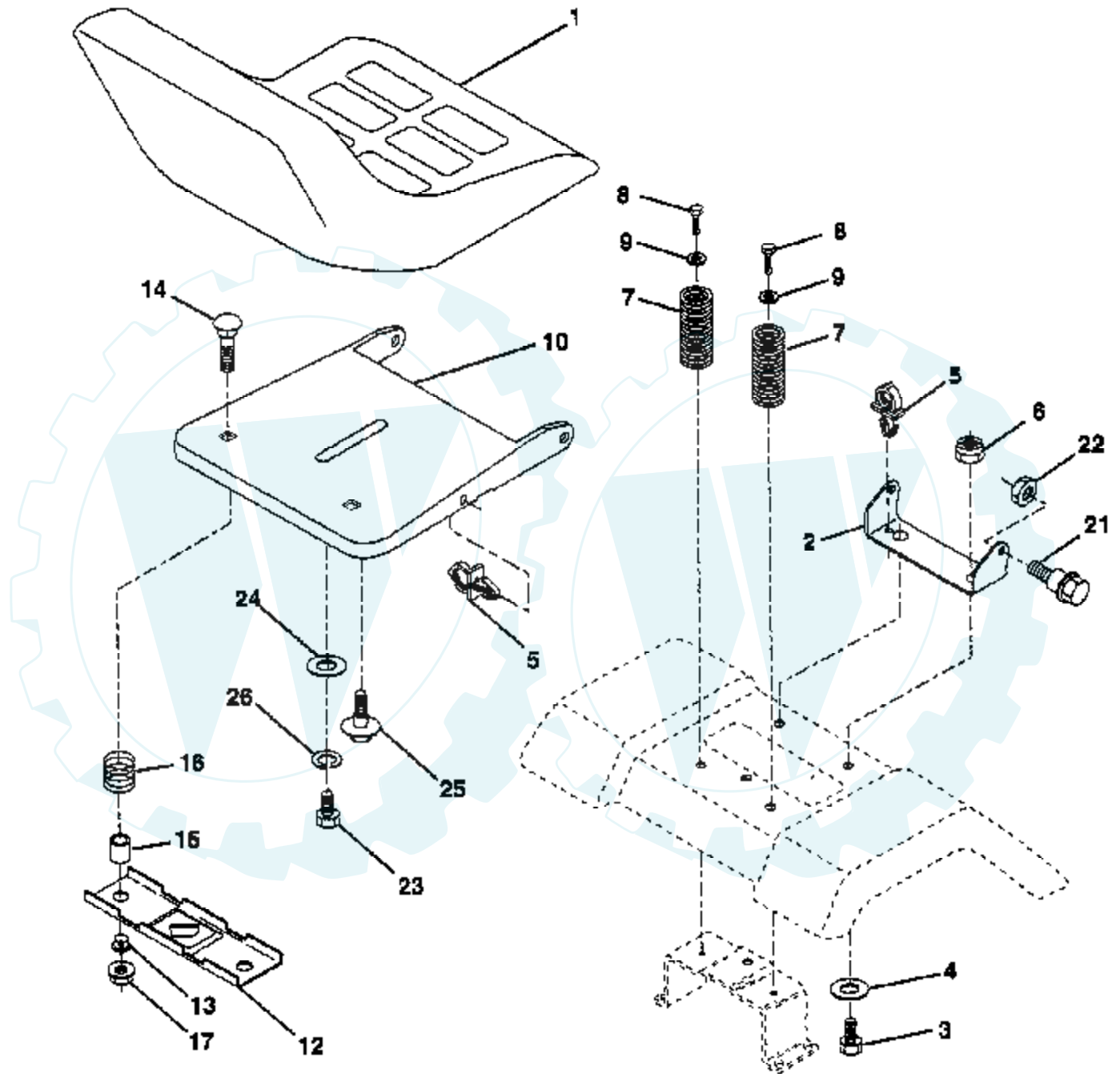




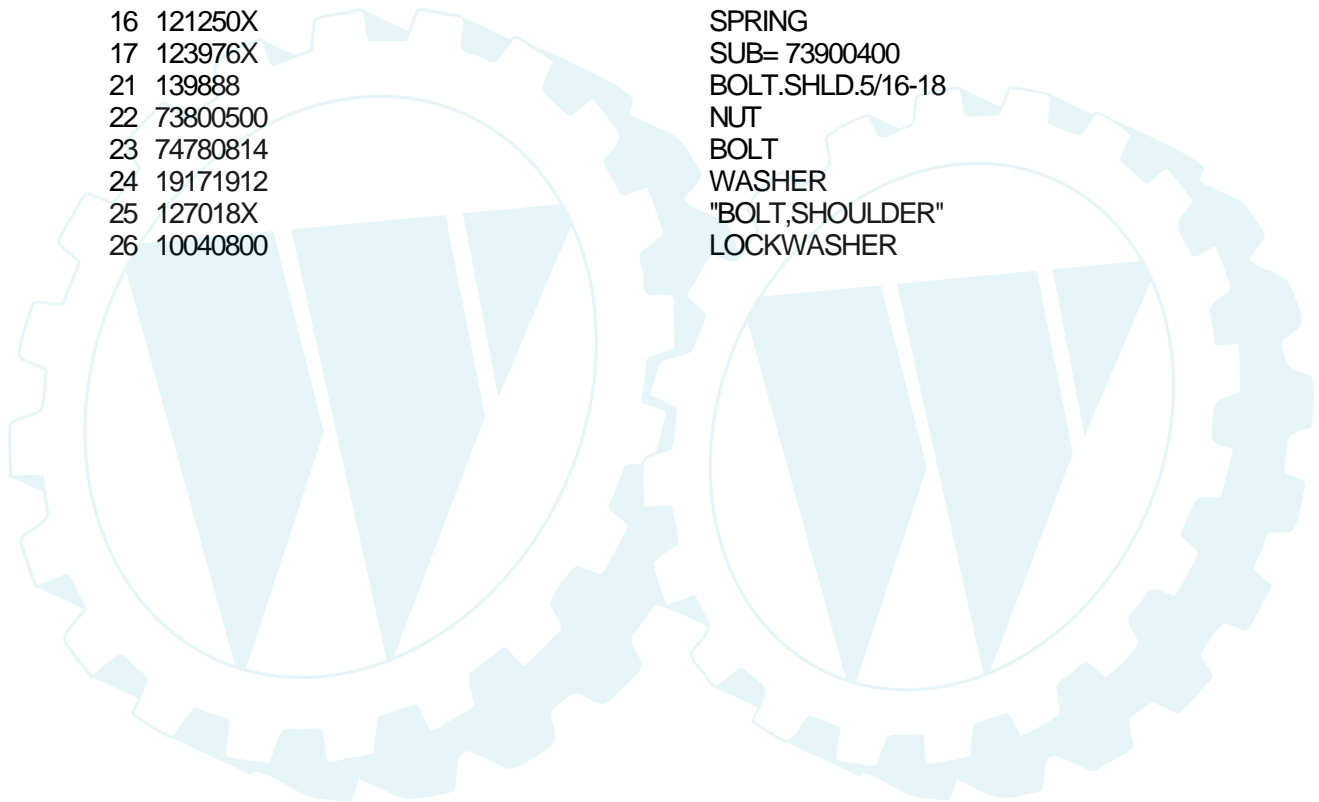
## TRACTOR - - MODEL NUMBER 7H4B6A

### SEAT

**NOTE:** All component dimensions given in U.S. inches  
1 inch = 25.4 mm

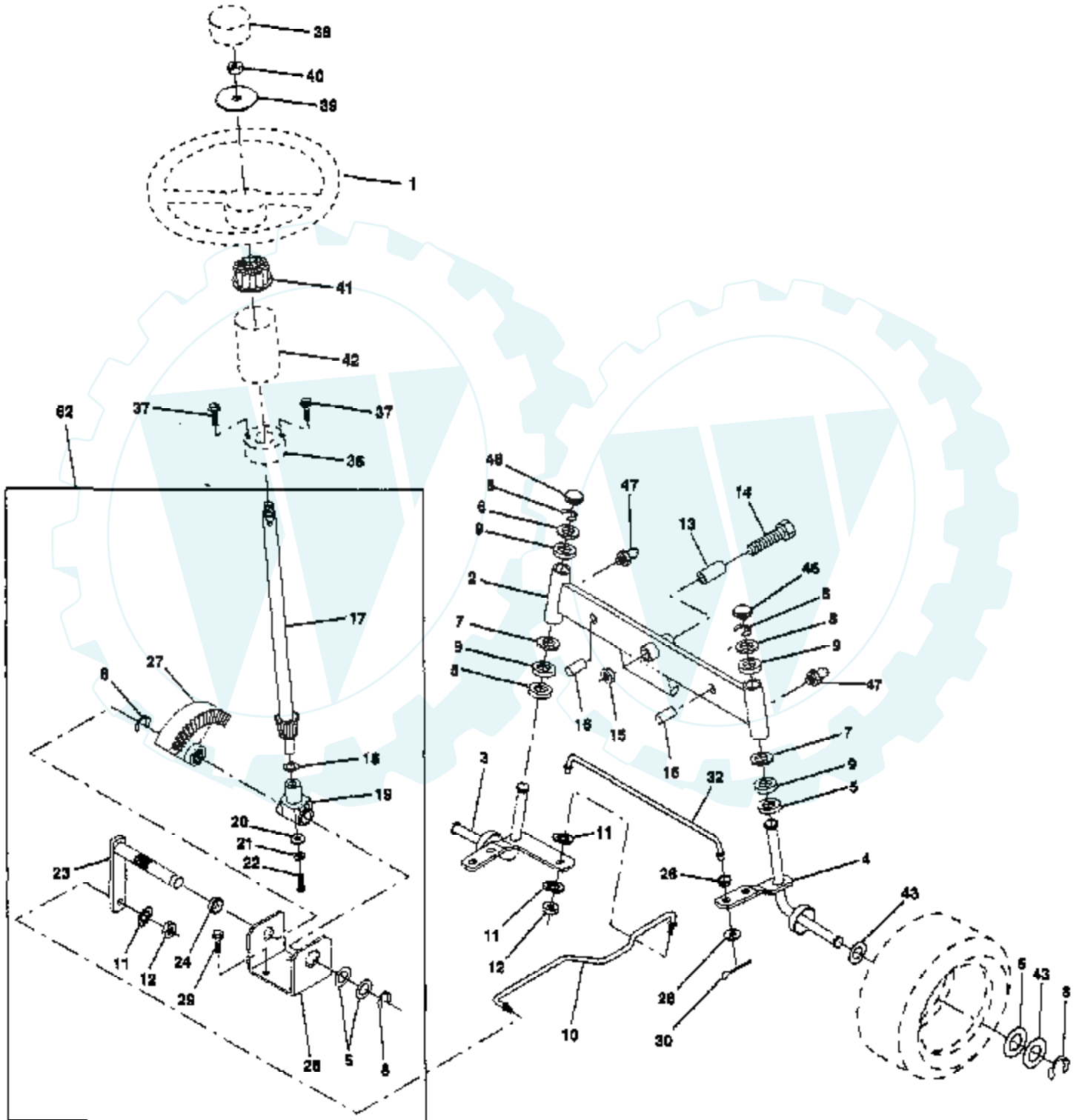


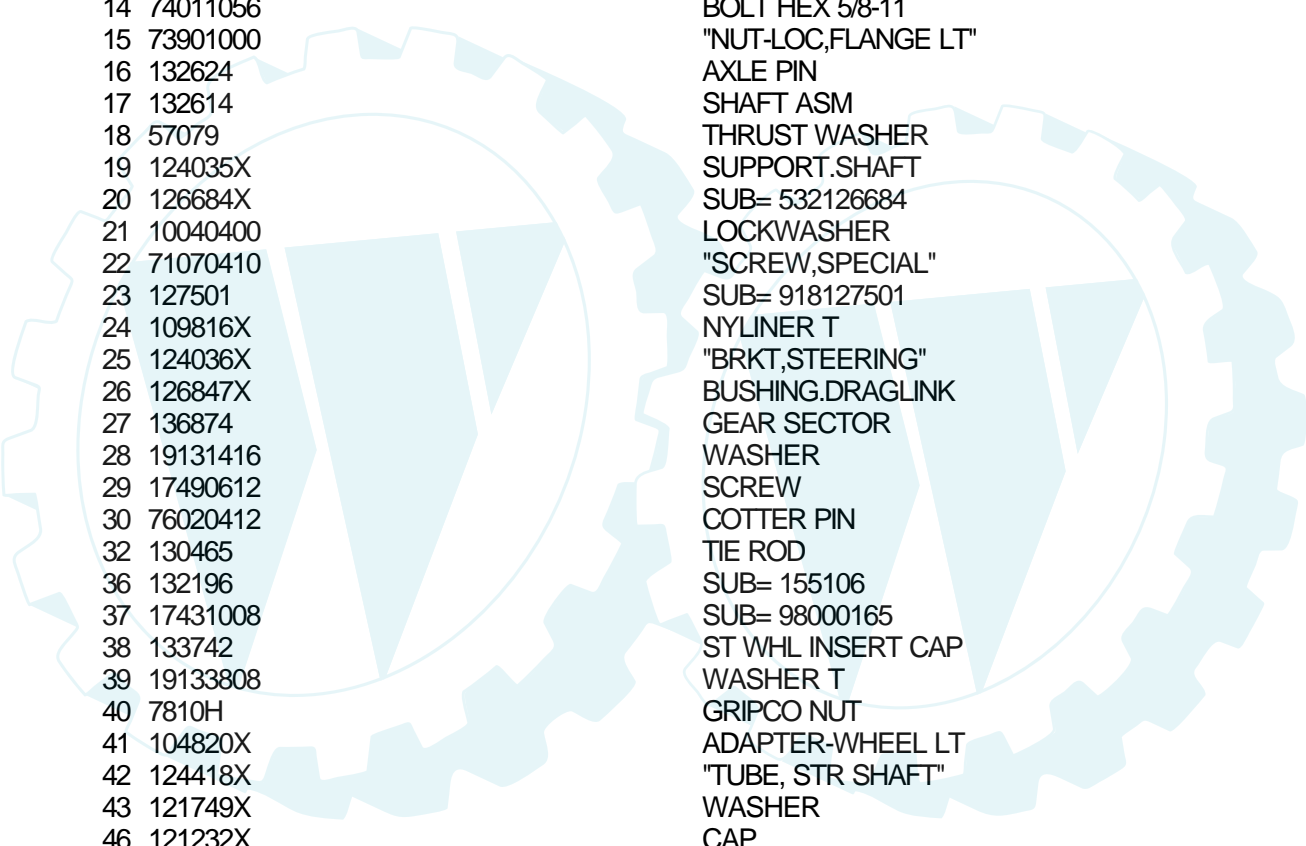
| Ref # | Part Number | Qty | Description       |
|-------|-------------|-----|-------------------|
| 1     | 127428      |     | SUB= 140119       |
| 2     | 140551      |     | BRACKET PVT SEAT  |
| 3     | 74760616    |     | BOLT              |
| 4     | 19131610    |     | WASHER PM         |
| 5     | 145006      |     | CLIP.PUSH-IN.HING |
| 6     | 73800600    |     | NUT               |
| 7     | 124181X     |     | SPRING COMPRESSIO |
| 8     | 17490616    |     | SCREW GTV         |
| 9     | 19131614    |     | WASHER            |
| 10    | 140552      |     | SUB= 155925       |
| 12    | 121246X     |     | BRKT SWITCH       |
| 13    | 121248X     |     | BUSHING           |
| 14    | 72050411    |     | SUB= 872050411    |
| 15    | 134300      |     | SPLIT SPACER      |
| 16    | 121250X     |     | SPRING            |
| 17    | 123976X     |     | SUB= 73900400     |
| 21    | 139888      |     | BOLT.SHLD.5/16-18 |
| 22    | 73800500    |     | NUT               |
| 23    | 74780814    |     | BOLT              |
| 24    | 19171912    |     | WASHER            |
| 25    | 127018X     |     | "BOLT,SHOULDER"   |
| 26    | 10040800    |     | LOCKWASHER        |



# TRACTOR - - MODEL NUMBER 7H4B6A

## STEERING WHEEL

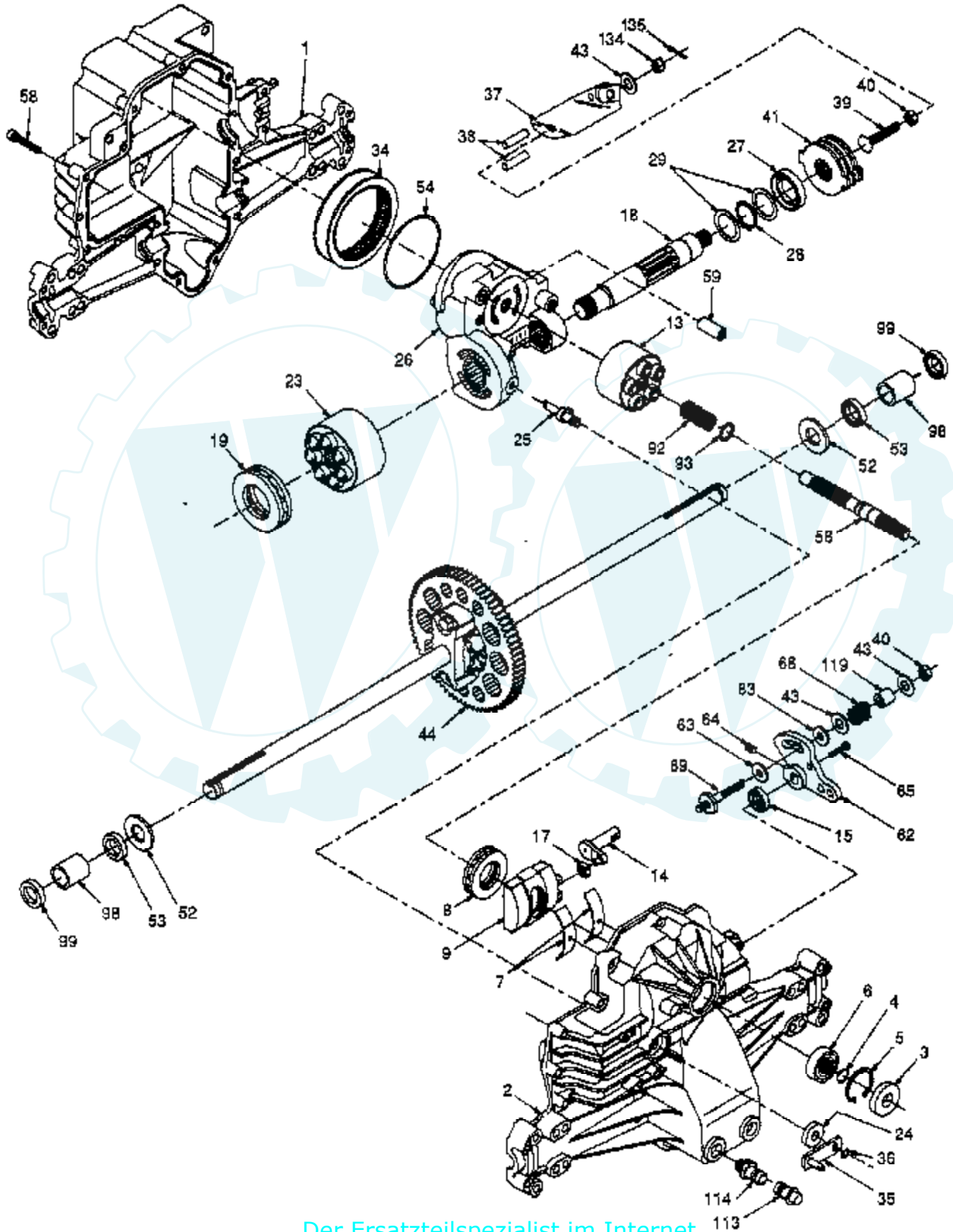


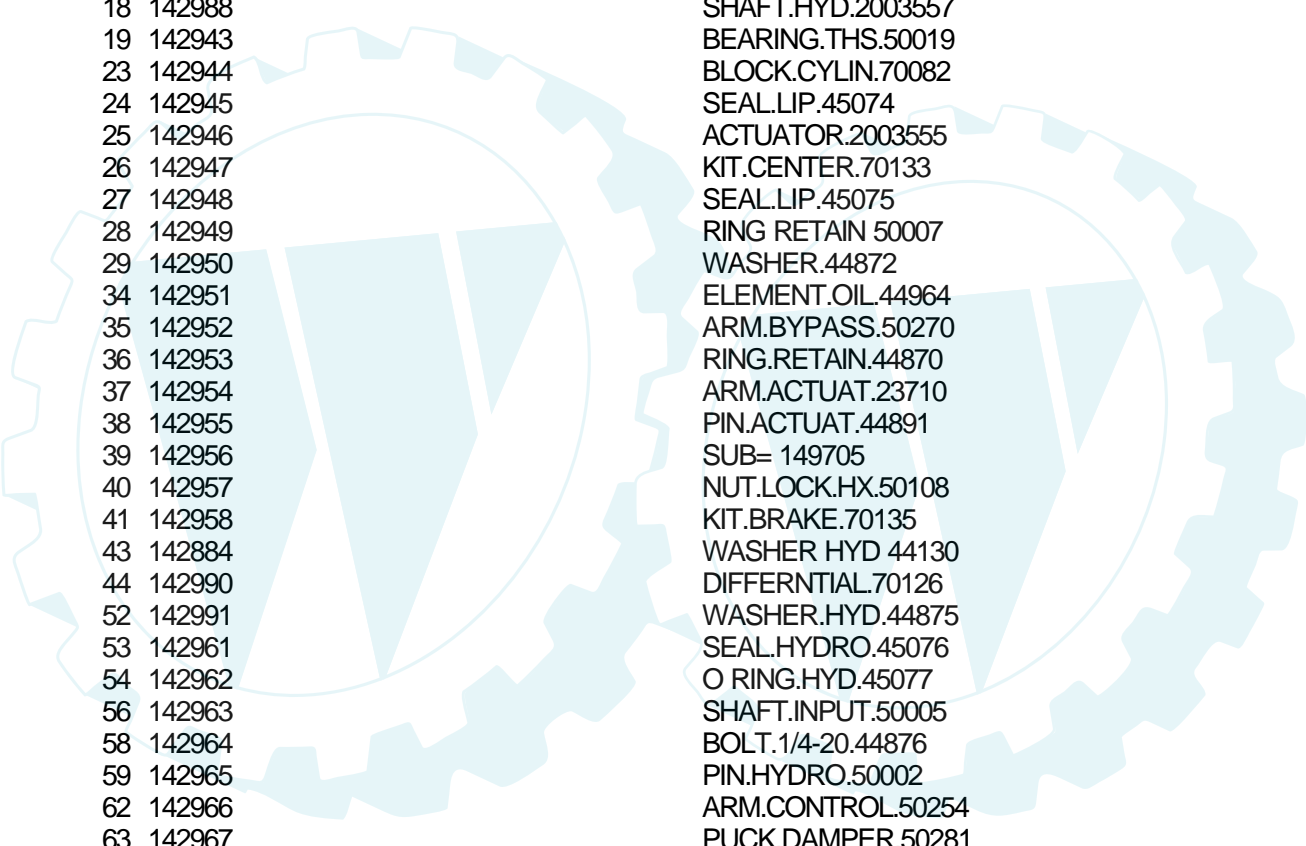


| Ref # | Part Number | Qty | Description         |
|-------|-------------|-----|---------------------|
| 1     | 133741      |     | SUB= 150547         |
| 2     | 142033      |     | AXLE ASM FRONT      |
| 3     | 135227      |     | SPINDLE LH          |
| 4     | 135228      |     | SPINDLE RH          |
| 5     | 6266H       |     | WASHER .T           |
| 6     | 121748X     |     | WASHER              |
| 7     | 19272016    |     | WASHER              |
| 8     | 12000029    |     | RING                |
| 9     | 3366R       |     | COL. SRTG. BEAR.    |
| 10    | 130468      |     | SUB= 532130468      |
| 11    | 10040600    |     | LOCKWASHER          |
| 12    | 73610600    |     | SUB= 7810H          |
| 13    | 110438X     |     | BEARING             |
| 14    | 74011056    |     | BOLT HEX 5/8-11     |
| 15    | 73901000    |     | "NUT-LOC,FLANGE LT" |
| 16    | 132624      |     | AXLE PIN            |
| 17    | 132614      |     | SHAFT ASM           |
| 18    | 57079       |     | THRUST WASHER       |
| 19    | 124035X     |     | SUPPORT.SHAFT       |
| 20    | 126684X     |     | SUB= 532126684      |
| 21    | 10040400    |     | LOCKWASHER          |
| 22    | 71070410    |     | "SCREW,SPECIAL"     |
| 23    | 127501      |     | SUB= 918127501      |
| 24    | 109816X     |     | NYLINER T           |
| 25    | 124036X     |     | "BRKT,STEERING"     |
| 26    | 126847X     |     | BUSHING.DRAGLINK    |
| 27    | 136874      |     | GEAR SECTOR         |
| 28    | 19131416    |     | WASHER              |
| 29    | 17490612    |     | SCREW               |
| 30    | 76020412    |     | COTTER PIN          |
| 32    | 130465      |     | TIE ROD             |
| 36    | 132196      |     | SUB= 155106         |
| 37    | 17431008    |     | SUB= 98000165       |
| 38    | 133742      |     | ST WHL INSERT CAP   |
| 39    | 19133808    |     | WASHER T            |
| 40    | 7810H       |     | GRIPCO NUT          |
| 41    | 104820X     |     | ADAPTER-WHEEL LT    |
| 42    | 124418X     |     | "TUBE, STR SHAFT"   |
| 43    | 121749X     |     | WASHER              |
| 46    | 121232X     |     | CAP                 |
| 47    | 6855M       |     | ZERK M              |
| 62    | 149684      |     | SUB= 156593         |

# TRACTOR - - MODEL NUMBER 7H4B6A

## TRANSAXLE - HYDRO GEAR MODEL NUMBER 310-0500

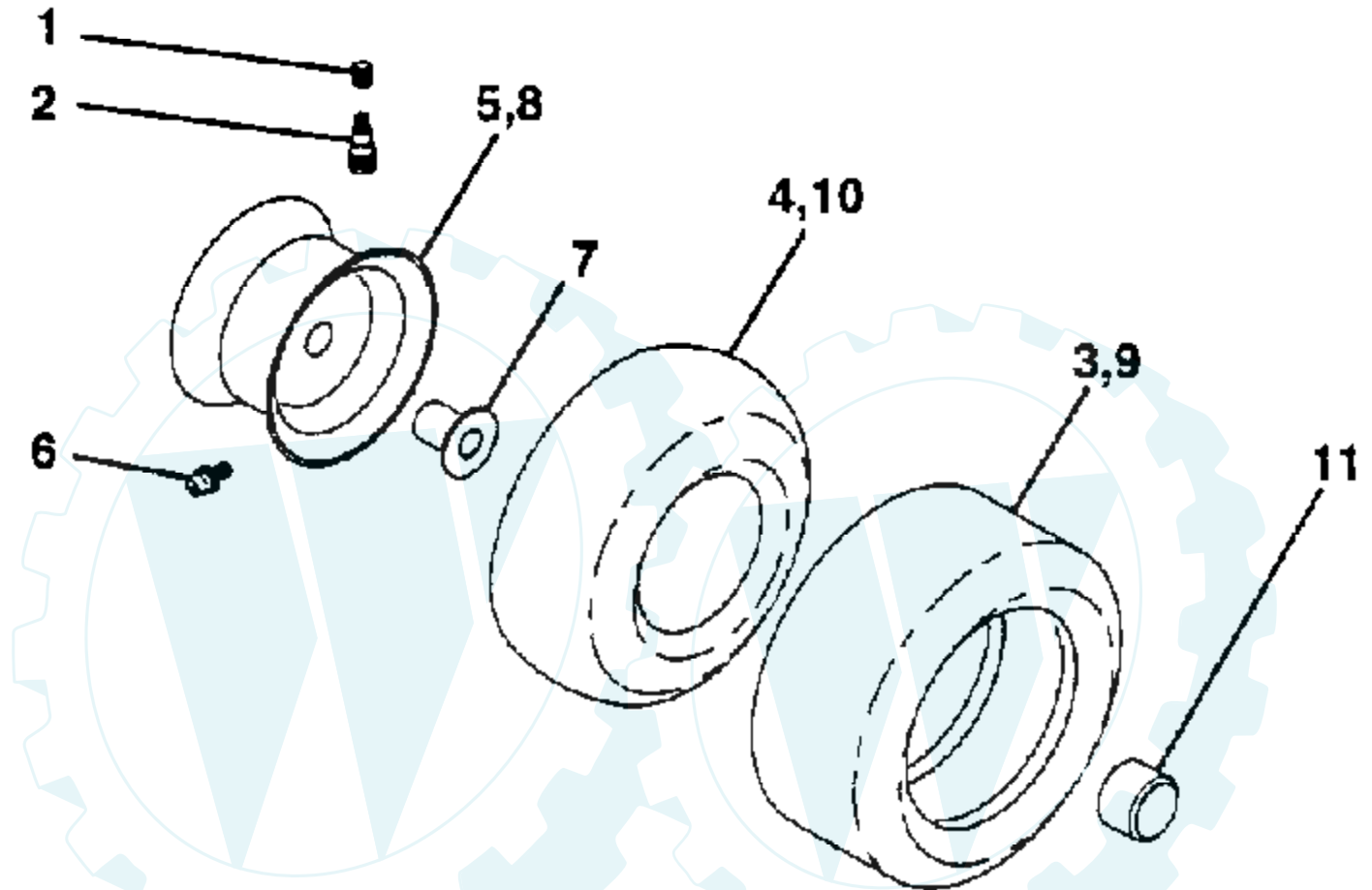




| Ref # | Part Number | Qty | Description             |
|-------|-------------|-----|-------------------------|
| 1     | 142986      |     | HOUSING.L.44863RM       |
| 2     | 142987      |     | HOUSING.UPR.70122       |
| 3     | 142932      |     | SEAL.9008000-0128       |
| 4     | 142928      |     | RING.RET.2003016.       |
| 5     | 142933      |     | RING.RET.2003052.       |
| 6     | 142934      |     | BEARING.(50552)42X68X16 |
| 7     | 142935      |     | CRADLE- 2003023.        |
| 8     | 142936      |     | BEARING.2003044.        |
| 9     | 142937      |     | SWASHPLT.2003087.       |
| 13    | 142938      |     | BLOCK.CLYN.70079.       |
| 14    | 142939      |     | ARM.TRUN.2003005.       |
| 15    | 142940      |     | SEAL.9008000-0126       |
| 17    | 142941      |     | GUIDE.2000015.          |
| 18    | 142988      |     | SHAFT.HYD.2003557       |
| 19    | 142943      |     | BEARING.THS.50019       |
| 23    | 142944      |     | BLOCK.CYLIN.70082       |
| 24    | 142945      |     | SEAL.LIP.45074          |
| 25    | 142946      |     | ACTUATOR.2003555        |
| 26    | 142947      |     | KIT.CENTER.70133        |
| 27    | 142948      |     | SEAL.LIP.45075          |
| 28    | 142949      |     | RING RETAIN 50007       |
| 29    | 142950      |     | WASHER.44872            |
| 34    | 142951      |     | ELEMENT.OIL.44964       |
| 35    | 142952      |     | ARM.BYPASS.50270        |
| 36    | 142953      |     | RING.RETAIN.44870       |
| 37    | 142954      |     | ARM.ACTUAT.23710        |
| 38    | 142955      |     | PIN.ACTUAT.44891        |
| 39    | 142956      |     | SUB= 149705             |
| 40    | 142957      |     | NUT.LOCK.HX.50108       |
| 41    | 142958      |     | KIT.BRAKE.70135         |
| 43    | 142884      |     | WASHER HYD 44130        |
| 44    | 142990      |     | DIFFERENTIAL.70126      |
| 52    | 142991      |     | WASHER.HYD.44875        |
| 53    | 142961      |     | SEAL.HYDRO.45076        |
| 54    | 142962      |     | O RING.HYD.45077        |
| 56    | 142963      |     | SHAFT.INPUT.50005       |
| 58    | 142964      |     | BOLT.1/4-20.44876       |
| 59    | 142965      |     | PIN.HYDRO.50002         |
| 62    | 142966      |     | ARM.CONTROL.50254       |
| 63    | 142967      |     | PUCK.DAMPER.50281       |
| 64    | 142920      |     | SCREW.SET.50018.        |
| 65    | 142968      |     | BOLT #8-32 X .875       |
| 68    | 142969      |     | SPRING.HYD.50277        |
| 69    | 144610      |     | STUD.5/16-24.DANA       |
| 92    | 142977      |     | SPRING.2003014.         |
| 93    | 142978      |     | WASHER.2003017          |
| 98    | 142993      |     | BEARING.SLV.50137       |
| 99    | 142976      |     | SEAL.WIPER.50941        |
| 113   | 142917      |     | CAP.VENT.70109          |
| 114   | 142918      |     | O-RING.ASM.70110        |
| 119   | 142980      |     | SPACER.HYD.50278        |
| 134   | 144607      |     | NUT.CAS.HYD.44142       |
| 135   | 144608      |     | PIN.COT.HYD.44101       |

# TRACTOR - - MODEL NUMBER 7H4B6A

## TIRES AND WHEELS



**NOTE:** All component dimensions given in U.S. inches  
1 inch = 25.4 mm

| Ref # | Part Number | Qty | Description              |
|-------|-------------|-----|--------------------------|
| 1     | 59192       |     | VALVE CAP                |
| 2     | 65139       |     | VALVE STEM LT            |
| 3     | 106222X     |     | SUB= 122073X             |
| 4     | 59904       |     | TUBE.5.3/4.5/6           |
| 5     | 106732X427  |     | "RIM ASM 6"" FRT"        |
| 6     | 278H        |     | FITTING LT               |
| 7     | 9040H       |     | "FLANGE, BEARING"        |
| 8     | 106108X427  |     | "RIM AS 8"" REAR"        |
| 9     | 106268X     |     | SUB= 122074X             |
| 10    | 7152J       |     | TUBE.18X9.5-8            |
| 11    | 104757X     |     | HUB CAP                  |
|       | 144334      |     | SEALANT.TIRE 10 OZ. TUBE |

