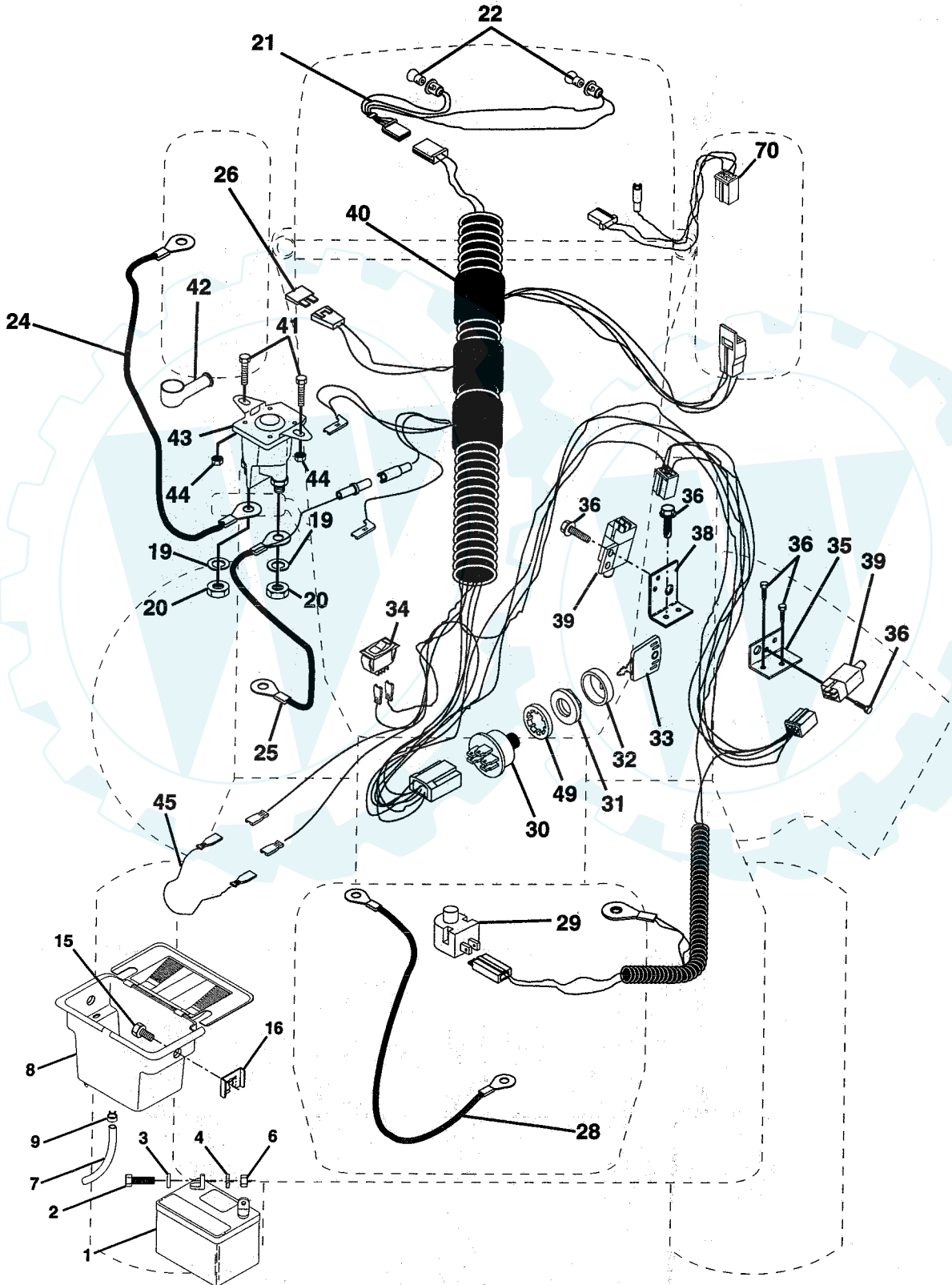


# REPAIR PARTS

[www.ersatzteil-service.de](http://www.ersatzteil-service.de)

## TRACTOR - - MODEL NUMBER 7H4B3C

### ELECTRICAL



# REPAIR PARTS

[www.ersatzteil-service.de](http://www.ersatzteil-service.de)

## TRACTOR - - MODEL NUMBER 7H4B3C

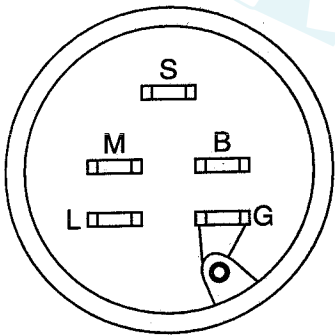
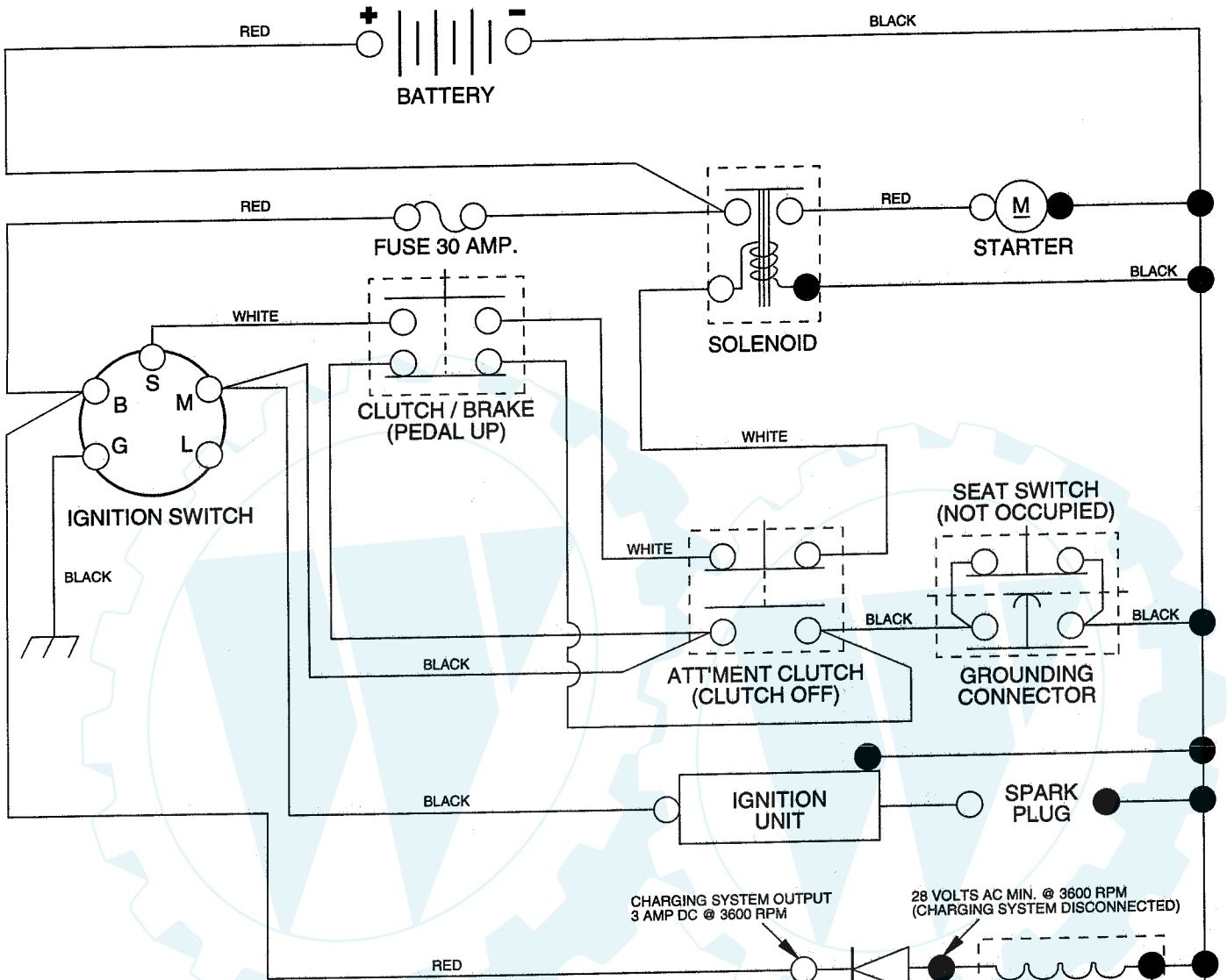
### ELECTRICAL

KEY NO.	PART NO.	DESCRIPTION
1	144925	Battery 12 Volt 25 Amp
2	74760412	Bolt Hex Hd 1/4-20unc X 3/4
3	19091016	Washer 9/32 X 5/8 X 16 Ga
4	10040400	Washer Lock Hvy Helical 1/4
6	73220400	Nut Fin Hex 1/4-20 Unc
7	109238X	Tube Plastic 12"
8	144940	Case Battery
9	109596X	Clamp Hose Olive
15	144935	Screw Cap Hex Nylon 3/8-16 x 1
16	145355	Nut Nylon 3/8-16
19	10090400	Washer Lock 1/4
20	73350400	Nut Jam Hex 1/4-20 Unc
21	136850	Harness Asm Light W/4152J
22	4152J	Bulb Light #1156
24	4799J	Cable Battery 6 Ga 11"red
25	146147	Cable Battery 6 Ga red W/16 Wire
26	108824X	Fuse 30 AMP Auto Green
28	4207J	Cable Ground 6 Ga 12" black
29	121305X	Switch Plunger Nc Gray
30	144921	Switch Ign 3
31	140400	Nut Ignition
32	141226	Cover Sw Ign
33	140401	Key Ign
34	110712X	Switch Light Blk Blk Red
35	108236X	Bracket Switch Clutch
36	17021008	Screw Tap Hex #10-24unc X 1/2
38	140336	Bracket Switch Interlock
39	109553X	Switch Intlk Clutch Gry 4 Term
40	146057	Harness Ign
41	71110412	Bolt Blk Fin Hex 1/4-20 x 3/4
42	131563	Cover Terminal Red
43	145673	Solenoid
44	73510400	Nut Keps Hex 1/4-20 Unc
45	140844	Adapter Ammeter Rectangular
49	11151000	Washer, Lock, Internal Tooth 5/8
70	140413	Harness Eng Briggs/Tec Dual

**NOTE:** All component dimensions give in U.S. inches  
1 inch = 25.4 mm.

# TRACTOR -- MODEL NUMBER 7H4B3C

## SCHEMATIC



**IGNITION SWITCH**

POSITION	CIRCUIT
OFF	M + G
ON	B + L
START	B + S + L

**NOTE**  
 YOUR TRACTOR IS EQUIPPED WITH A SPECIAL ALTERNATOR SYSTEM. THE LIGHTS ARE NOT CONNECTED TO THE BATTERY, BUT HAVE THEIR OWN ELECTRICAL SOURCE. BECAUSE OF THIS, THE BRIGHTNESS OF THE LIGHTS WILL CHANGE WITH ENGINE SPEED. AT IDLE THE LIGHTS WILL DIM. AS THE ENGINE IS SPEEDED UP, THE LIGHTS WILL BECOME THEIR BRIGHTEST.

**WIRING INSULATED CLIPS**  
**NOTE:** IF WIRING INSULATED CLIPS WERE REMOVED FOR SERVICING OF UNIT, THEY SHOULD BE REPLACED TO PROPERLY SECURE YOUR WIRING.

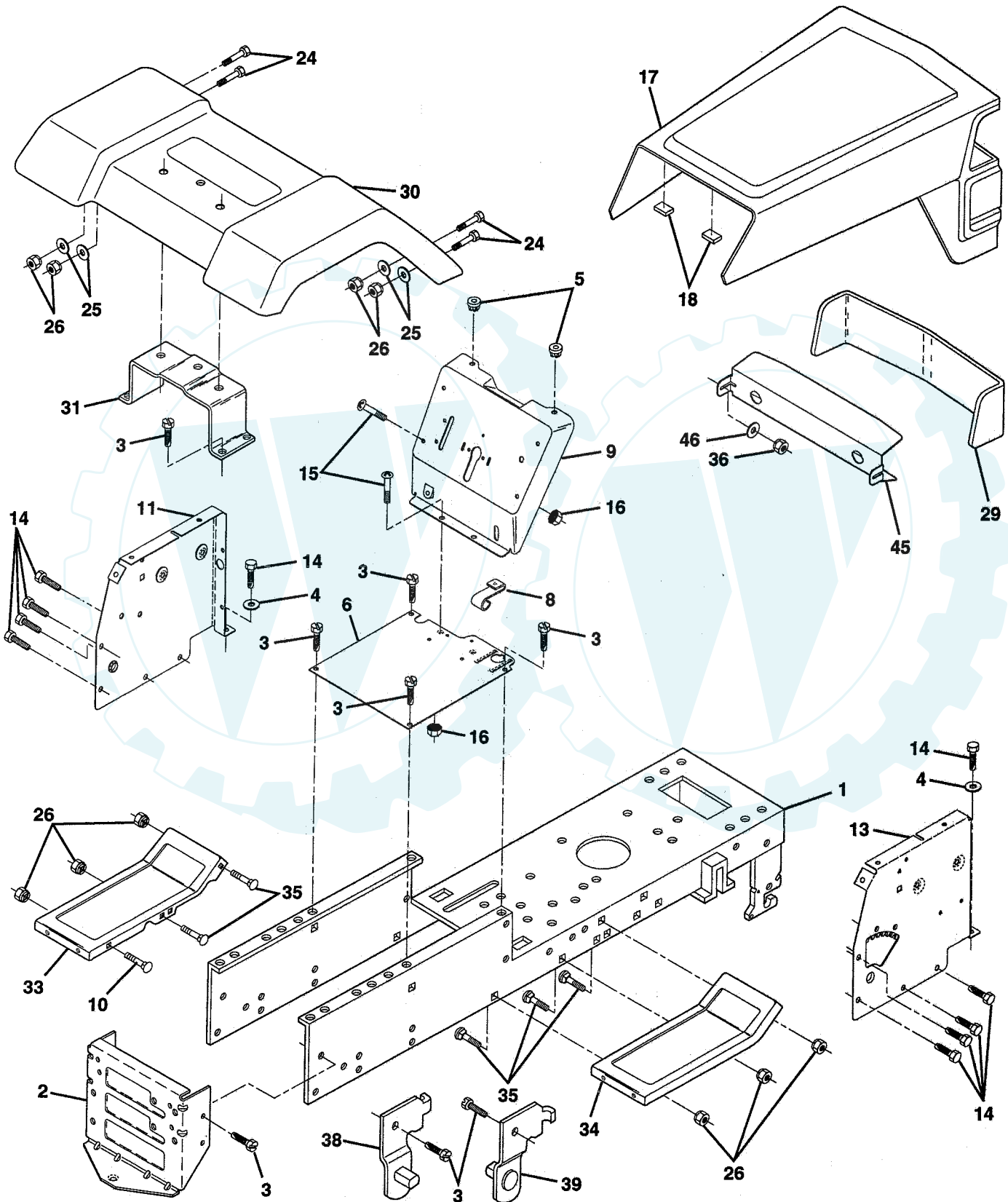


# REPAIR PARTS

[www.ersatzteil-service.de](http://www.ersatzteil-service.de)

## TRACTOR - - MODEL NUMBER 7H4B3C

### CHASSIS AND ENCLOSURES



# REPAIR PARTS

## TRACTOR - - MODEL NUMBER 7H4B3C

### CHASSIS AND ENCLOSURES

KEY NO.	PART NO.	DESCRIPTION
1	145501	Chassis Wldmt 11" Ga
2	140356	Drawbar 12 Ga 46 5" wheel Base
3	17490612	Screw Thdrol 3/8-16x3/4 Ty-tt
4	19131216	Washer 13/32 x 3/4 x 16 Ga.
5	146077	Bumper Snap-In
6	145208X016	SaddleLT Saddle Shift
8	126471X	Clip Insulator 406 Mtg Hole
9	146757X011	Dash Silkscr 1-pc M W/i N/c Sym
10	72140608	Bolt Rdhd Sqnk 3/8-16unc X1"
11	146956	Panel Dash LH
13	146961X012	Panel Dash RH Silkscr Notch
14	17490608	Screw Thdrol 3/8-16x1/2 Ty-tt
15	74180512	Screw Mach TRHD 5/16-18uncx 3/4
16	73510500	Nut Keps 5/16-18 Unc
17	133956X505	Hood/grille Asm Welded
18	126938X	Bumper Hood
24	74780616	Bolt Fin Hex 3/8-16unc X 1 Gr. 5
25	19131312	Washer 13/32 X 13/16 X 12 Ga
26	73800600	Locknut Hex W/Ins 3/8-16 UNC
29	133805	Lens Grille HI Bar Clear LT
30	109872X505	Fender Pnt LT
31	136619	Bracket Fender Repl 109873x
33	105476X505	Footrest Pnt LH Ms-505
34	105475X505	Footrest Pnt RH Ms-505
35	72110606	Bolt Rdhd Sht Sqnk 3/8-16 X3/4
36	108067X	Nut Pal
38	139886	Bracket Asm Pvt42 LH MWR Rear
39	139887	Bracket Asm Pvt42 RH MWR Rear
45	132257	Bezel Light
46	127316X	Retainer
--	5479J	Plug Button Blk 359 Dia Choke

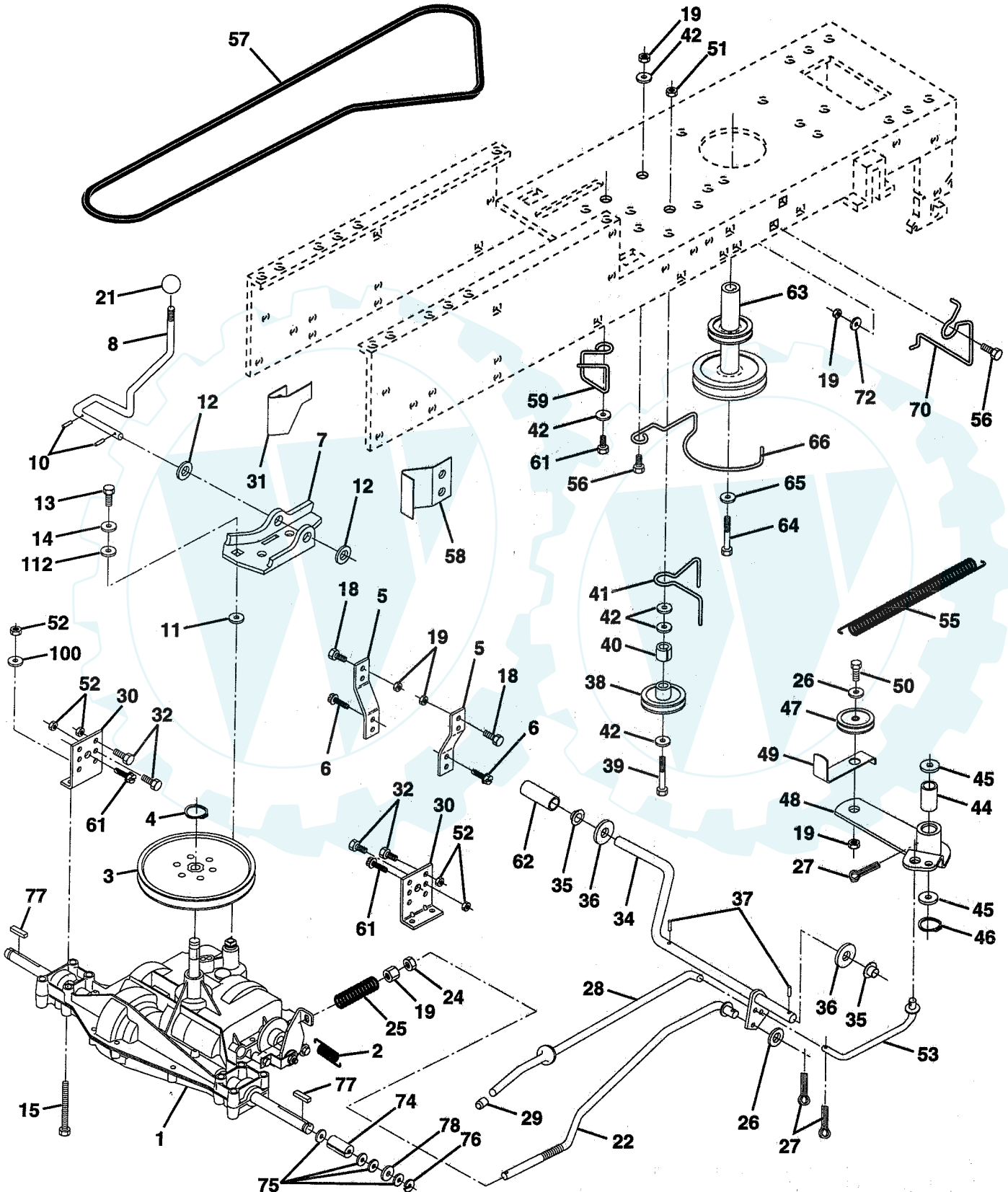
**NOTE:** All component dimensions are given in U.S. inches  
1 inch = 25.4 mm

# REPAIR PARTS

[www.ersatzteil-service.de](http://www.ersatzteil-service.de)

## TRACTOR -- MODEL NUMBER 7H4B3C

### DRIVE





# REPAIR PARTS

## TRACTOR - - MODEL NUMBER 7H4B3C

### DRIVE

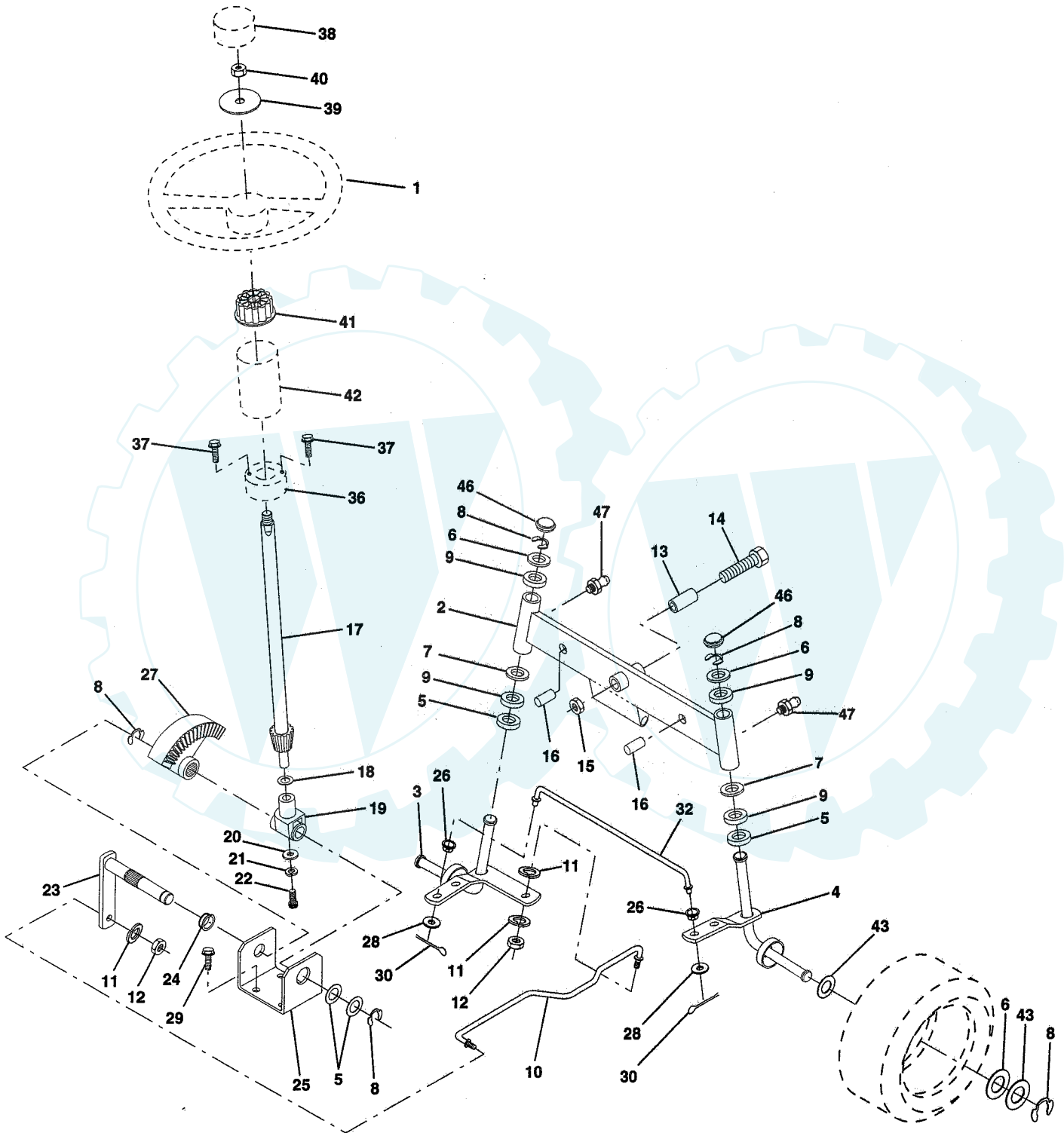
KEY NO.	PART NO.	DESCRIPTION	KEY NO.	PART NO.	DESCRIPTION
1	142603	Transaxle, 6 speed, Dana D4360-79	41	109070X	Keeper Belt
2	146682	Spring brake Return	42	19131312	Washer 13/32 x 13/16 x 12 Ga.
3	123666X	Pulley, Transaxle	44	105706X	Bearing Nylon
4	12000028	Ring Retainer	45	110812X	Washer Hardened
5	121520X	Strap Torque 30°	46	12000039	Ring Klip #5304-50
6	17490512	Screw Thdrol 5/16-18 x 3/4 TYT	47	127783	Pulley Idler V-groove Plastic
7	130802	Bracket Saddle Shift T/a	48	123789X	Bellcrank Asm Clutch
8	131679	Rod Shifter	49	123205X	Retainer Belt Style Spring
10	76020416	Pin Cotter 1/8 x 1	50	74760624	Bolt Hex 3/8-16 unc x 1-1/2
11	105701X	Washer Plate shf 388 Sq Hole	51	73680600	Nut Crownlock 3/8-16 Unc
12	19151216	Washer 15/32 x 3/4 x 16 Ga.	52	73680500	Nut, Crownlock 5/16-18
13	74550412	Bolt Hex 1/4-28 unf Gr. 8 W/Patch	53	105710X	Link Clutch
14	10040400	Washer Lock Hvy Helical 1/4	55	105709X	Spring Return Clutch
15	74780544	Bolt Hex 5/16 - 18 x 2-3/4	56	74760620	Bolt, Fin Hex 3/8-16 x 1-1/4
18	74780616	Bolt Hex 3/8-16unc x 1	57	130801	V-Belt Ground Drive 95 25
19	73800600	Nt Lock Hex w/wsh 3/8 - 16 UNC	58	127274X	Keeper Belt(RH)
21	106933X	Knob	59	140312	Keeper Belt Chassis
22	130804	Rod Brake	61	17490612	Screw Thdrol 3/8-16x3/4 Ty-tt
24	73350600	Nut Hex Jam H 3/8-16 Unc	62	8883R	Cover Pedal
25	106888X	Spring, Brake Rod	63	140186	Pulley Engine
26	19131316	Washer 13/32 x 13/16 x 16 Ga.	64	71170764	Bolt Hex 7/16-20 x 4 Gr. 5
27	76020412	Pin Cotter 1/8 x 3/4	65	10040700	Washer Lock Hvy, Helical Spr 7/16
28	145204	Rod Brake Parking	66	129921	Keeper Belt (LH)
29	71673	Cap Brake Parking Black	70	134683	Guide Belt Mower Drive RH
30	130807	Bracket Transmission	72	19132012	Washer 13/32 X 1-1/4 X 12 Ga.
31	127275X	Keeper Belt LH LT 14 Ga.	74	109502X	Spacer Split
32	74760512	Bolt Hex 5/16 - 18 x 2-1/2	75	121749X	Washer 25/32 X 1 1/4 X 16 Ga.
34	149001	Shaft Asm Pedal Foot	76	12000001	E-ring
35	120183X	Bearing Nylon Blk 629 AD	77	123583X	Key Square
36	19211616	Washer 21/32 x 1 x 16 Ga.	78	121748X	Washer 25/32 X 1-5/8 X 16 Ga.
37	1572H	Pin Roll 3/16 x 1"	100	19111216	Washer 11/32 x 3/4 x 16 Ga.
38	123674X	Pulley Idler Flat	112	19091210	Washer 9/32 x 3/4 x 10 Ga.
39	74760644	Bolt Hex 3/8-16 unc x 2-3/4			
40	4470J	Spacer Split			

**NOTE:** All component dimensions give in U.S. inches  
1 inch = 25.4 mm

# REPAIR PARTS

## TRACTOR -- MODEL NUMBER 7H4B3C

### STEERING ASSEMBLY





# REPAIR PARTS

## TRACTOR - - MODEL NUMBER 7H4B3C

### STEERING ASSEMBLY

KEY NO.	PART NO.	DESCRIPTION
1	133741	Wheel Steering Ayp/kelch Blk
2	142033	Axle Asm Fr
3	135227	Spindle Asm LH
4	135228	Spindle Asm RH
5	6266H	Bearing Race Thrust Harden
6	121748X	Washer 25/32 X 1-5/8 X 16 Ga
7	19272016	Washer 27/32 X 1-1/4 X 16 Ga
8	12000029	Ring Klip #t5304-75
9	3366R	Bearing Col Strg Blk
10	130468	Link Drag Sol Ball Jt 20 064
11	10040600	Washer Lock Hvy Hlcl Spr 3/8
12	73610600	Nut Fin Hex 3/8-24 Unf
13	110438X	Spacer Bearing Axle Front
14	74011056	Bolt Hex 5/8-11 Unc X 3-1/2
15	73901000	Nut Lock Flange 5/8-11 Unc
16	132624	Pin Axle 5/8 X 1 55/1 54 Lg
17	132614	Shaft Asm Strg 5/8 X 15 19 LT
18	57079	Washer Thrust 515x 750x 033
19	124035X	Support Shaft
20	126684X	Washer Shim 1/4 X 5/8 X 062
21	10040400	Washer Lock Hvy Helical 1/4
22	71070410	Screw Hex Socket 1/4-20 X 5/8
23	127501	Shaft Asm Pittman
24	109816X	Nyliner Snap In
25	124036X	Bracket Steering
26	126847X	Bushing Link Drag Blk LR
27	136874	Gear Sector
28	19131416	Washer 13/32 X 7/8 X 16 Ga
29	17490612	Screw Thdrol 3/8-16x3/4 Ty-tt
30	76020412	Pin Cotter 1/8 X 3/4 Cad
32	130465	Rod Tie Wire Form 19 75 Mech
36	132196	Bushing Strg 5/8 Id Dash
37	17431008	Screw Slftp #10-16 X 1/2 Ty-b
38	133742	Cap Wheel Steer Ayp/kelch Blk
39	19133808	Washer 13/32 X 2-3/8 X 8 Ga
40	7810H	Nut Lock Center 3/8-24unf
41	104820X	Adaptor Wheel Strg 640/ 635id
42	124418X	Boot Steering Shaft
43	121749X	Washer 25/32 X 1 1/4 X 16 Ga
46	121232X	Cap Spindle Fr Top Blk
47	6855M	Fitting Grease

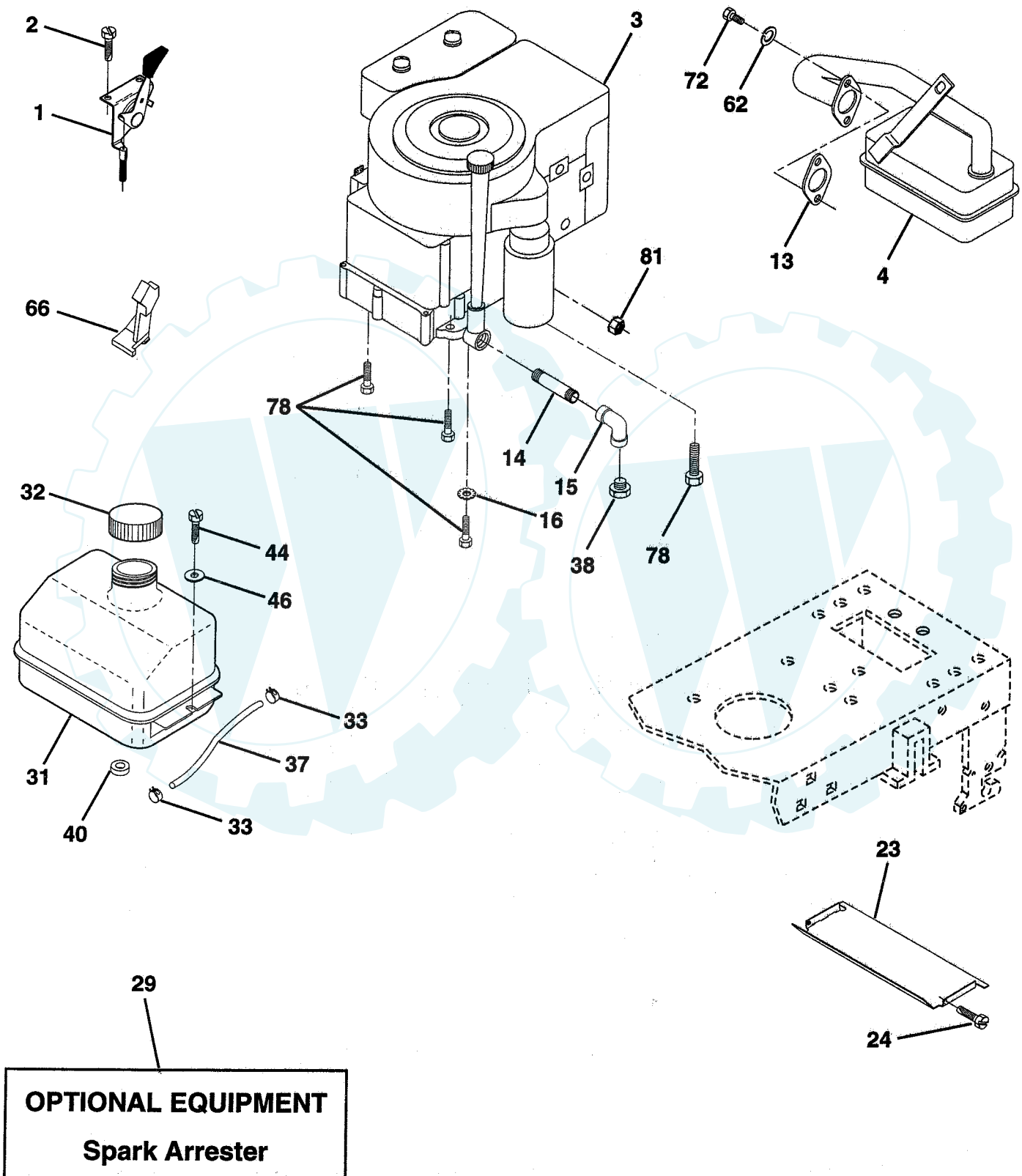
**NOTE:** All component dimensions given in U.S. inches  
1 inch = 25.4 mm

# REPAIR PARTS

[www.ersatzteil-service.de](http://www.ersatzteil-service.de)

## TRACTOR - - MODEL NUMBER 7H4B3C

### ENGINE



**OPTIONAL EQUIPMENT**  
**Spark Arrester**

## TRACTOR - - MODEL NUMBER 7H4B3C

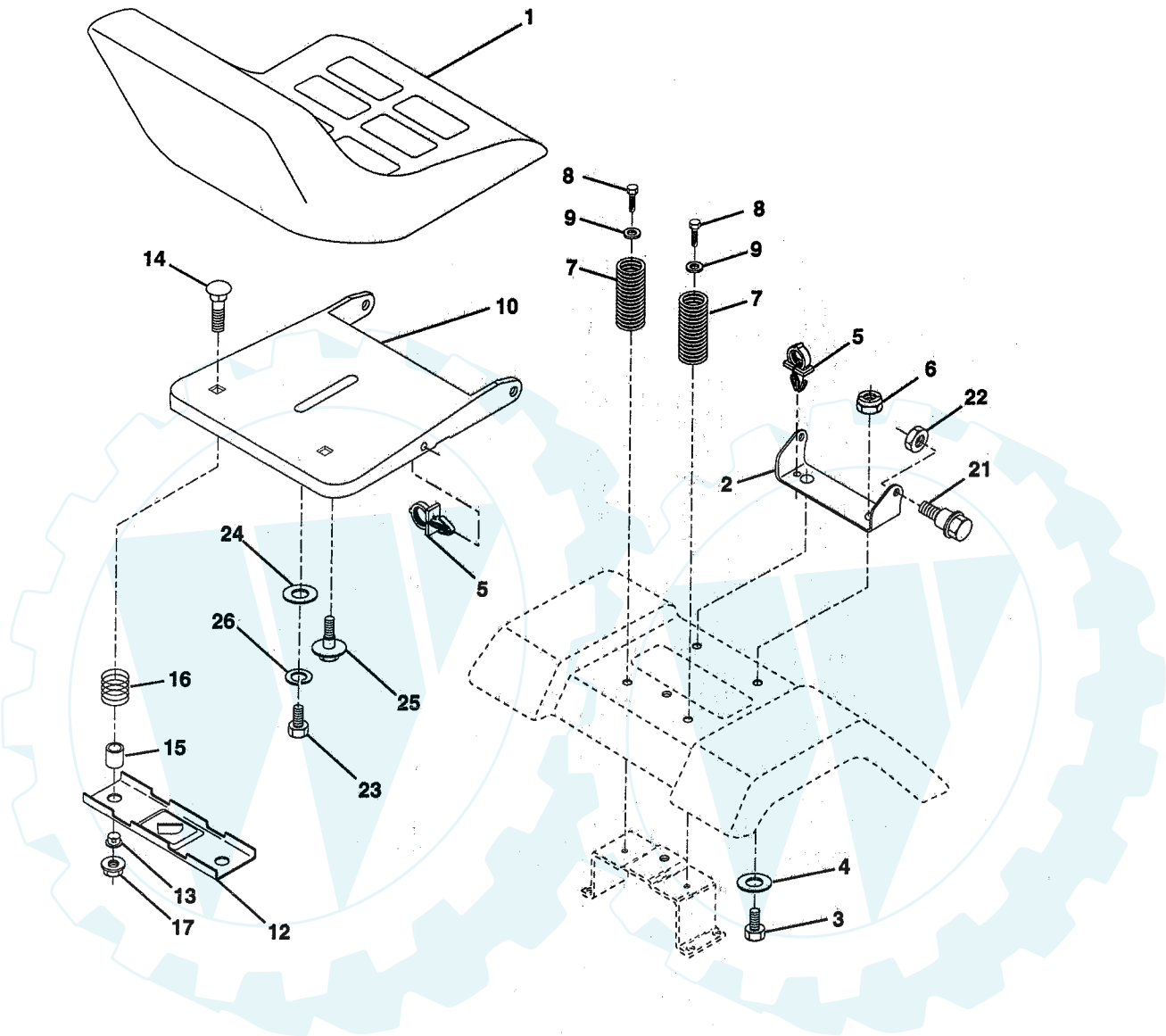
### ENGINE

KEY NO.	PART NO.	DESCRIPTION
1	132623	Control Th/ch RH Blk Tee 15 10
2	17720410	Screw Hex Thd Cut 1/4-20x5/8 T
3	-----	Engine B&S 12/12.5 IC Model No. 289707
4	137348	Muffler LT B&S12/12.5/13 HP
13	125593X	Gasket Eng 1 313 Id Tin Plated
14	13280324	Nipple Pipe 3/8 Npt X 3"
15	13200300	Elbow Std 90 Degree 3/8-18 Npt
16	11050600	Washer Lock Ext Tooth 3/8
23	128953	Shield Browning
24	17021008	Screw
29	137180	Kit Spark Arrestor (Flat Scrn)
31	109202X	Tank Fuel Front 1 25
32	140527	Cap Asm Fuel
33	123487X	Clamp Hose Blk
37	137040	Line Fuel
38	-----	Plug Oil Drain (Order From Engine Manufacturer)
40	124028X	Bushing Snap Nyl Blk Fuel Line
44	17490412	Screw Hexwsh Thdrol 1/4-20x3/4
46	19091416	Washer 9/32 X 7/8 X 16 Ga
62	10040500	Washer 5/16
66	127951	Stop Throttle 3000 RPM
72	71070512	Screw 5/16-18 x 3/4
78	17490620	Screw Thdrol 3/8-16x1-1/4 TYTT
81	73510400	Nut, Keps Hex 1/4-20 UNC

**NOTE:** All component dimensions given in U.S. inches  
1 inch = 25.4 mm

## TRACTOR - - MODEL NUMBER 7H4B3C

### SEAT ASSEMBLY



KEY NO.	PART NO.	DESCRIPTION
1	127427	Seat
2	140551	Bracket Pivot Seat
3	74760616	Bolt Hex 3/8 - 16 X 1
4	19131610	Washer 13/32 X 1"
5	145006	Clip Push-In
6	73800600	Locknut, Hex W/Ins 3/8 - 16 Unc
7	124181X	Spring Seat Cprsn 2 250 Blk Zi
8	17490616	Screw Thdrol 3/8-16 X 1 Ty-tt
9	19131614	Washer 13/32 X 1 X 14 Ga
10	140552	Pan Seat
12	121246X	Bracket Mounting Switch
13	121248X	Bushing Snap Blk Nyl 50 Id

KEY NO.	PART NO.	DESCRIPTION
14	72050411	Bolt Rdhd Sht Nk 1/4-20x1-3/8
15	134300	Spacer Split 28x 96 Yel Zinc
16	121250X	Spring Cprsn 1 27 Blk Pnt
17	123976X	Nut Lock 1/4 Lge Flg Gr 5 Zinc
21	139888	Bolt Shoulder 5/16-18
22	73800500	Locknut, Hex W/wsh 5/16-18
23	74780814	Bolt Fin Hex 1/2-13 X 7/8 Gr 5
24	19171912	Washer 17/32 X 1-3/16 X 12 Ga
25	127018X	Bolt Shoulder 5/16-18 X 62
26	10040800	Washer Lock Hvy Hlcl Spr 1/2

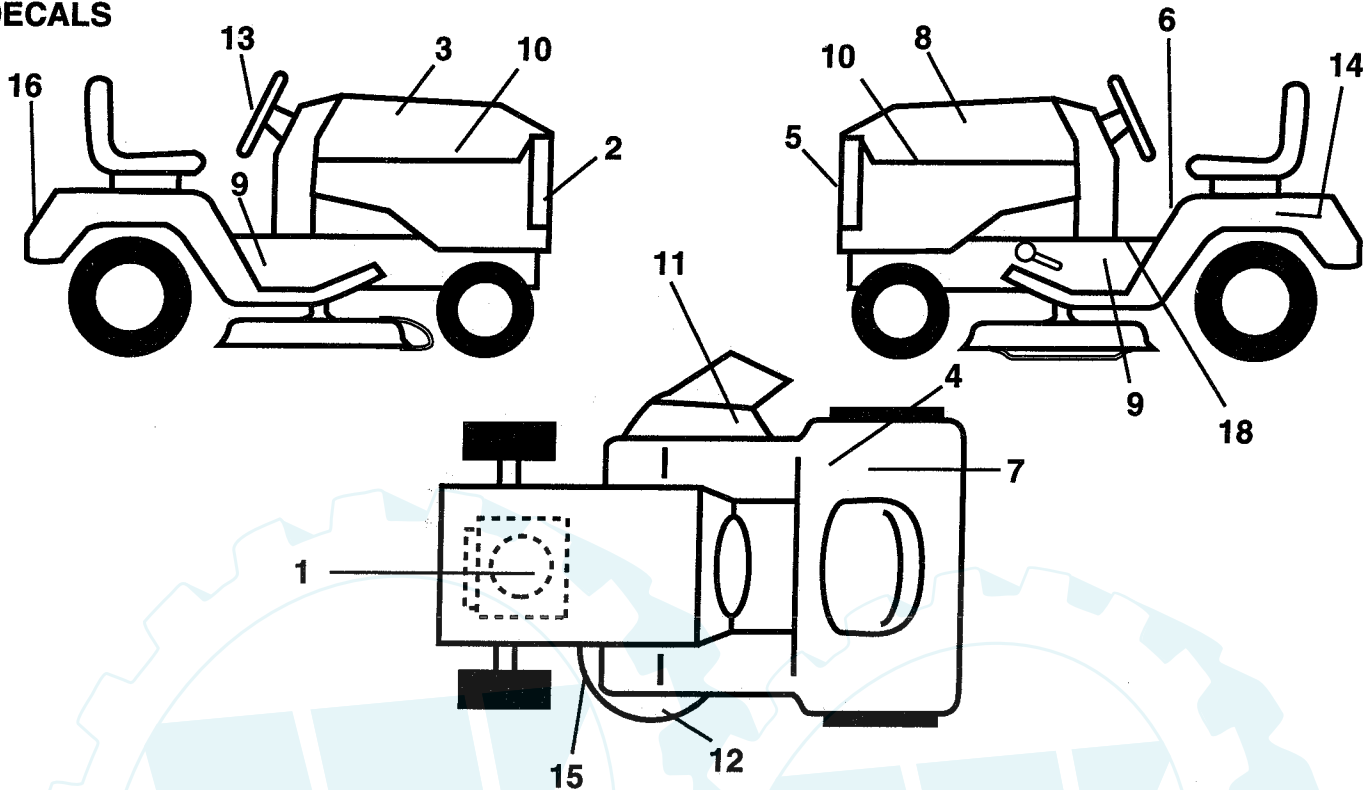
**NOTE:** All component dimensions given in U.S. inches  
1 inch = 25.4 mm.

# REPAIR PARTS

www.ersatzteil-service.de

## TRACTOR -- MODEL NUMBER 7H4B3C

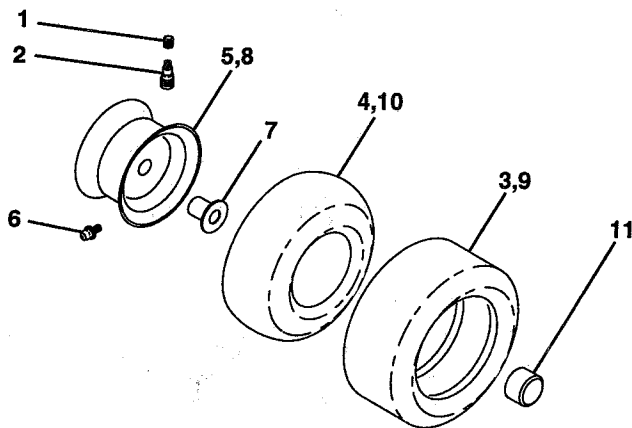
### DECALS



KEY NO.	PART NO.	DESCRIPTION
1	272632	Decal B&S Engine 12.5 IC
2	132627	Decal Grille (Logo)
3	141745	Decal Hood RH
4	145437	Decal Europe Stand CE
5	129823	Decal Stripe Grille
6	145498	Decal, Read Owner's Manual Syms
7	125690X	Decal 100 DBA
8	141746	Decal Hood LH
9	131425	Decal Chassis 42" 6 Sp
10	135866	Decal Hood HP
11	145494	Decal Mower Cutting Symbol
12	135013	Decal Enviro Deck Yellow

KEY NO.	PART NO.	DESCRIPTION
13	127075	Decal Wheel Steering
14	145005	Decal Bat Dan/Poi P/L Symbols
15	136832	Decal V-Belt Sch
16	132628	Decal Fender Rally
18	140837	Decal Saddle Brake Parking
--	138311	Decal Handle LFT Height Adj
--	148777	Manual Parts
--	148779	Manual Oper
Available Accessories:		
	LBD48	48" Snow Blade
	CE42	Grass Catcher
	LC05	33' Wheel Wts.
	CH12	Tire Chains
	LSB42	40" Snow Thrower
	MK42	Mulch Kit W/Blades

### WHEELS & TIRES



KEY NO.	PART NO.	DESCRIPTION
1	59192	Cap Valve Tire
2	65139	Stem Valve
3	106222X	Tire F Ts 15 X 6 0 - 6 Service
4	59904	Tube Front (Service Item Only)
5	106732X427	Rim Asm 6" (front White Service)
6	278H	Fitting Grease (Front Wheel Only)
7	9040H	Bearing Flange (Front Wheel Only)
8	106108X427	Rim Asm 8" (rear White Service)
9	124635X	Tire R Ts 18x8 5-8 C Service
10	7152J	Tube Rear (Service Item Only)
11	104757X	Cap Axle Blk 1 50 X 1 00
--	144334	Sealant, Tire (10 oz. Tube)

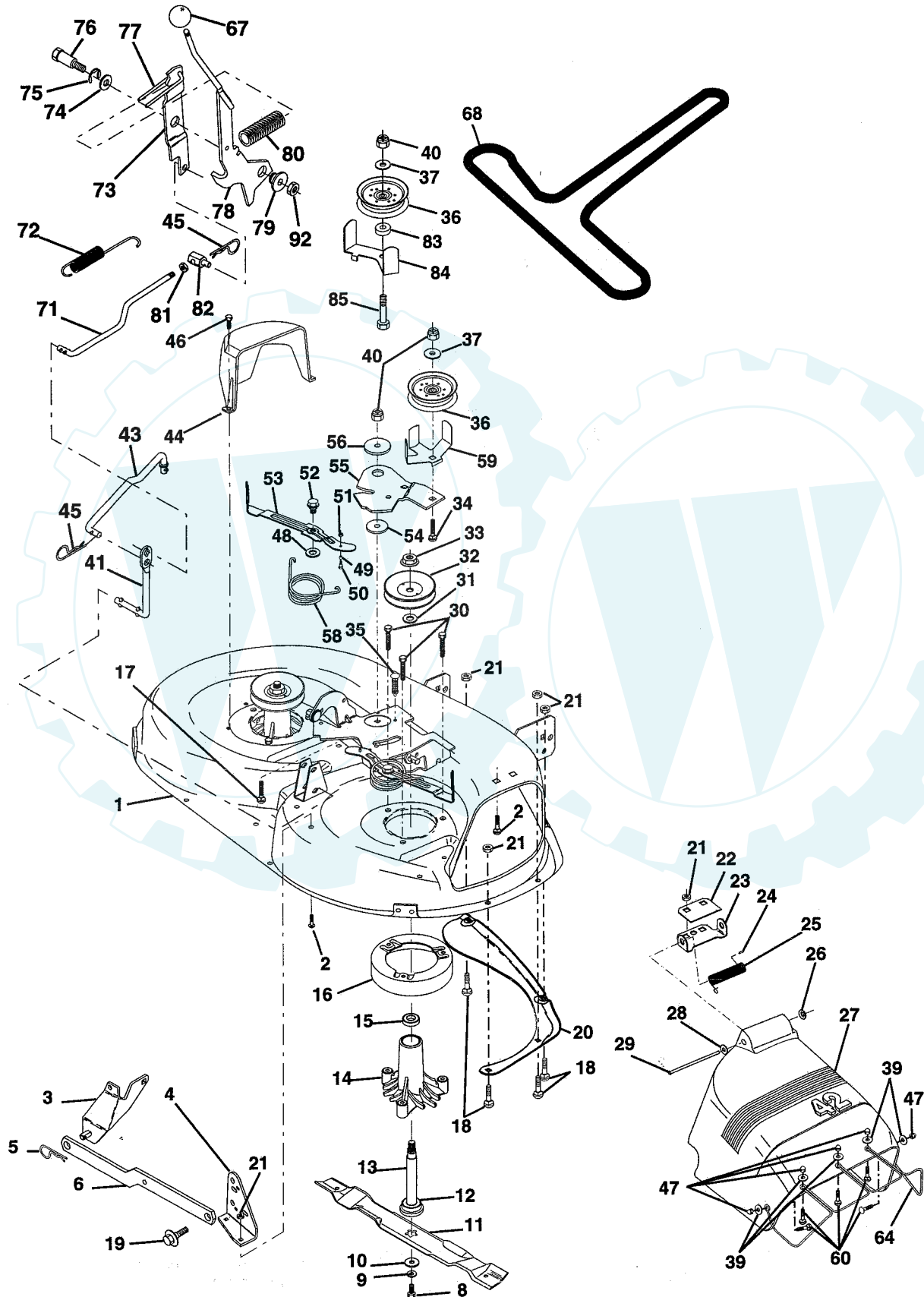
**NOTE:** All component dimensions given in U.S. inches  
1 inch = 25.4 mm

# REPAIR PARTS

[www.ersatzteil-service.de](http://www.ersatzteil-service.de)

## TRACTOR - - MODEL NUMBER 7H4B3C

### MOWER DECK





# REPAIR PARTS

## TRACTOR - - MODEL NUMBER 7H4B3C

### MOWER DECK

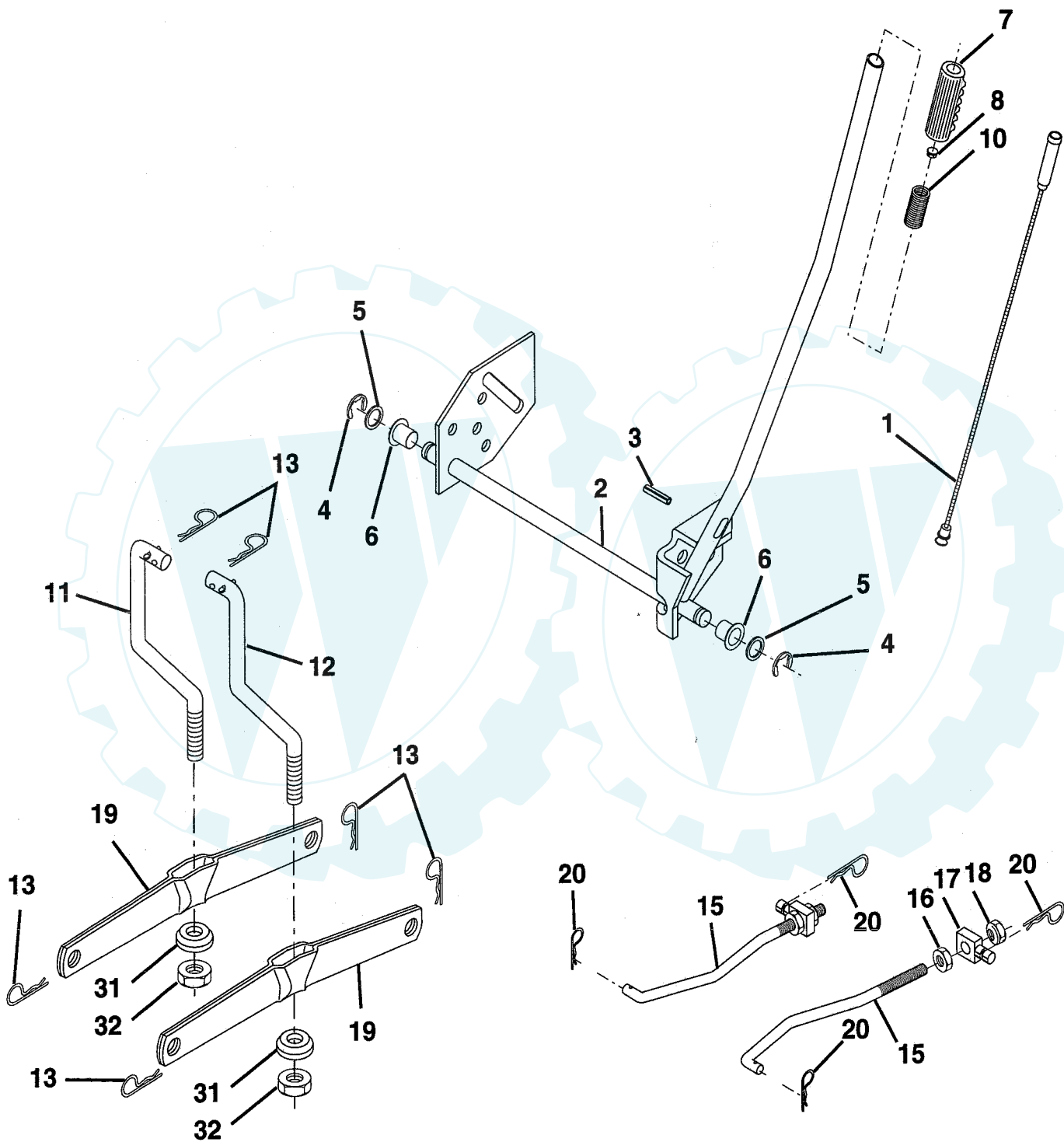
KEY NO.	PART NO.	DESCRIPTION	KEY NO.	PART NO.	DESCRIPTION
1	144393	Mower Deck Assembly, 42"	44	140088	Guard, Mandrel, LH
2	72140506	Bolt	45	4497H	Retainer
3	138017	Bracket Asm Fr. Sway Bar	46	137729	Screw, Thread Roll 1/4-20 x 5/8
4	138440	Bracket Asm Deck 42" Sway Bar	47	M730705000	Nut, Acron M5 x 0.8
5	4939M	Retainer Spring	48	133944	Washer, Hardened
6	130832	Arm, Suspension, Rear	49	133940	Roller Assembly, Cam Follower
8	850857	Bolt 3/8-24 x 1.25 Grade 8	50	131340	Bolt, Shloulder #10-24 Grade 5
9	10030600	Washer, Lock	51	69180	Locknut
10	140296	Washer, Hardened	52	139888	Bolt, Shoulder 5/16-18 UNC
11	138498	Blade, High Lift 42"	53	131845	Arm Assembly, Pad, Brake
12	129895	Bearing, Ball	54	133943	Washer, Hardened
13	137645	Shaft Assembly, Mandrel, Vented (Includes Key Number 12)	55	140084	Arm, Idler
14	128774	Housing, Mandrel, Vented	56	122052X	Spacer, Retainer
15	110485X	Bearing, Ball, Mandrel	58	140086	Spring Torsion Brakes
16	140329	Stripper, Vented Mower Deck	59	141043	Guard Tuv Idler
17	72110610	Bolt, Carriage 3/8-16 x 1-1/4	60	M720305016	Bolt, Rd Hd Sqnk M5 x 0.8 x 16mm
18	72140505	Bolt, Carriage 5/16-18 x 5/8	64	139328	Guard, Deflector Mower 42" TUV
19	132827	Bolt, Shoulder	67	106932X	Knob Rd 3/8-16 UNC
20	136888	Baffle, Vortex	68	144200	V-Belt, 42" Mower
21	73680500	Nut, Crownlock 5/16-18 UNC	71	142427	Rod, Clutch, Primary
22	134753	Stiffener Bracket	72	131870	Spring, Extension, Return
23	131267	Bracket, Deflector	73	127847	Arm, Clutch, Secondary
24	105304X	Cap, Sleeve	74	121748X	Washer 25/32 x 1-5/8 x 16 Gauge
25	123713X	Spring, Torsion, Deflector	75	12000029	Ring, Klip
26	110452X	Nut, Push	76	128903	Bolt, Shoulder 3/8-16 UNC x 1.44
27	139450	Deflector, Clipping TUV	77	127845	Keeper, Spring
28	19111016	Washer 11/32 x 5/8 x 16 Gauge	78	140334	Arm, Clutch, Primary
29	131491	Rod, Hinge	79	127498	Bushing, Large, Brass
30	138776	Screw Thdrol. Hex Head Zinc	80	128759	Spring, Mower Clutch
31	129963	Washer, Spacer	81	73350600	Nut Hex Jam 3/8-16 UNC
32	129861	Pulley, Mandrel	82	142028	Trunnion Adj.
33	137266	Nut, Toplock 9/16	83	120958X	Washer Sintered
34	72110614	Bolt	84	144394	Keeper Belt Idler Fixed
35	133835	Fastener, Christmas Tree	85	72140618	Bolt Carriage 3/8-16 x 2-1/4
36	131494	Pulley, Idler, Flat	92	73800600	Nut
37	19131316	Washer 13/32 x 13/16 x 16 Ga.	--	130794	Mandrel Assembly (Includes Key Numbers 8-10, 12-15, 31 and 33)
39	M190511014	Washer MS DIN 125A BN713	--	144783	Mower Deck, Complete
40	73680600	Nut, Crownlock 3/8-16 UNC			
41	133551	Rod, Pivot, with Nibs			
43	140083	Rod, Clutch, Secondary, with Nibs			

**NOTE:** All component dimensions given in U.S. inches  
1 inch = 25.4 mm

# REPAIR PARTS

## TRACTOR - - MODEL NUMBER 7H4B3C

### LIFT



# REPAIR PARTS

[www.ersatzteil-service.de](http://www.ersatzteil-service.de)

## TRACTOR - - MODEL NUMBER 7H4B3C

### LIFT

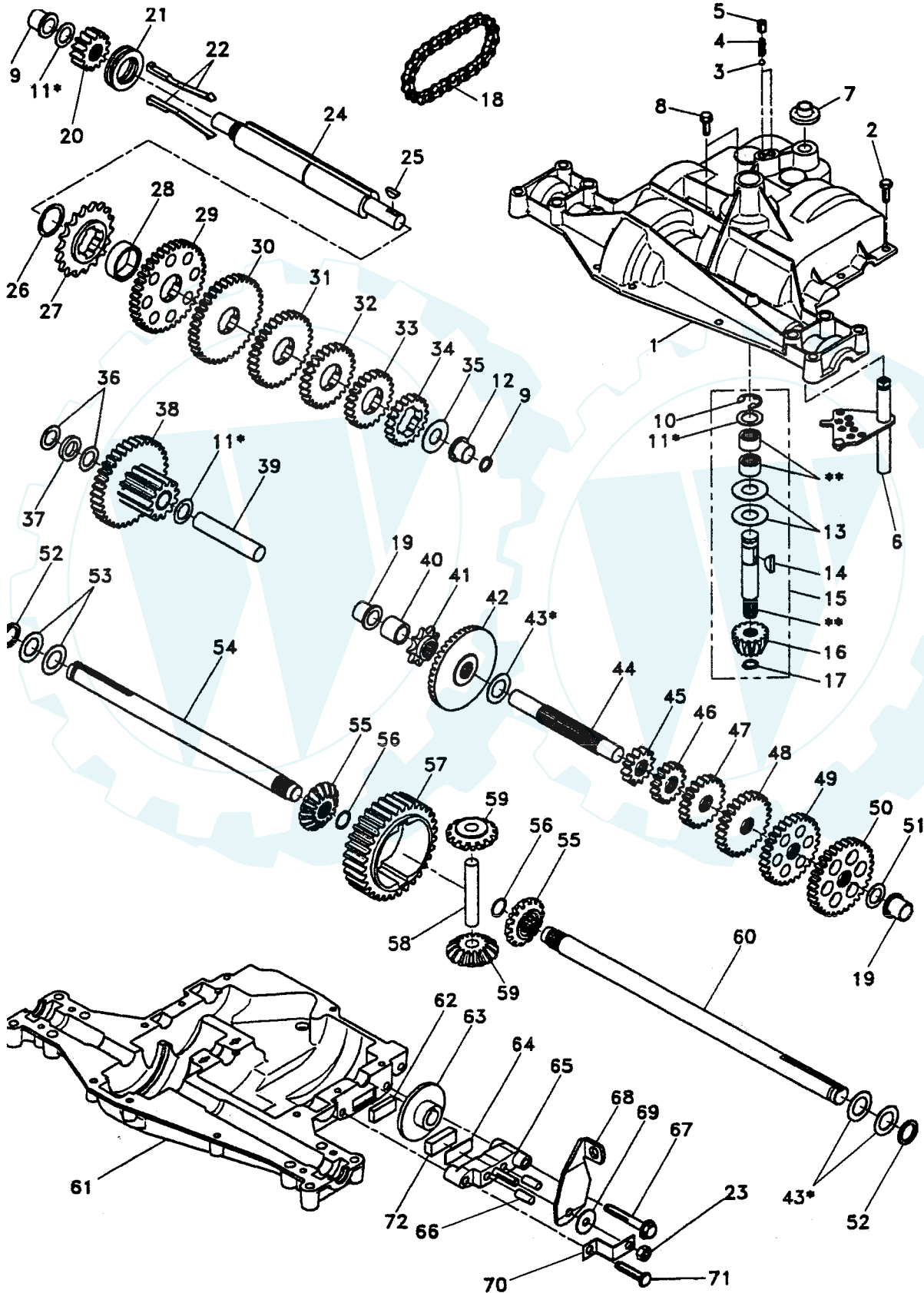
KEY NO.	PART NO.	DESCRIPTION
1	136973	Wire Asm Inner w/plunger
2	122507X	Shaft Asm Lift
3	105767X	Pin Groove
4	12000002	E Ring #5133-62
5	19211621	Washer 21/32 X 1 X 21Ga
6	120183X	Bearing Nylon
7	109413X	Grip Handle Bicycle Matte Blk
8	124526X	Button Plunger
10	122512X	Spring Cprsn
11	139865	Link Lift LH
12	139866	Link Lift RH
13	4939M	Retainer Spring
15	127218	Link Front
16	73350800	Nut Jam Hex 1/2-13 Unc
17	130171	Trunnion Blk Zinc
18	73800800	Nut Lock W/wsh 1/2-13 Unc
19	139868	Arm Suspension Rear
20	3146R	Retainer Spring
31	140302	Bearing Pvt. Lift Spherical
32	73540600	Nut Crownlock 3/8-24

**NOTE:** All component dimensions given in U.S. inches  
1 inch = 25.4 mm

# REPAIR PARTS

## TRACTOR - - MODEL NUMBER 7H4B3C TRANSAXLE DANA - MODEL NUMBER 4360-79

### TRANSAXLE



# REPAIR PARTS

## TRACTOR - - MODEL NUMBER 7H4B3C TRANSAXLE DANA - MODEL NUMBER 4360-79

### TRANSAXLE

KEY PART NO. NO.	DESCRIPTION	KEY PART NO. NO.	DESCRIPTION
1 142671	Housing, Upper	41 105928X	Sprocket, 9 Teeth
2 2274J	Screw, Self-Tapping, Large 1/4-20 x .734	42 110084X	Gear, Bevel, 42 Teeth
3 134400	Ball, Detent	43 134394	* Assembly, Kit, Shim .750 Shaft
4 105904X	Spring, Detent	44 120473X	Shaft, Drive
5 105905X	Screw, Set	45 142678	Gear, Spur, 12 Teeth
6 138235	Kit, Shifter Assembly	46 142679	Gear, Spur, 15 Teeth
7 134399	Boot, Shifter	47 120407X	Gear, Spur, 20 Teeth
8 134791	Screw, Tapping w/Sealer	48 106589X	Gear, Spur, 25 Teeth
9 138241	Square Ring	49 120408X	Gear, Spur, 28 Teeth
10 142672	Ring, Retaining	50 105937X	Gear, Spur, 31 Teeth
11 134793	* Assembly, Kit, Shim .625 Shaft	51 2226J	Washer, Plain .632 x 1.00 x .060
12 142673	Bearing, Flange	52 134401	Washer, Neoprene
13 120415X	Washer, Plain .632 x 1.38 x .046	53 2264J	Washer, Plain .758 x 1.25 x .031
14 142674	Key, Woodruff, #9	54 120474X	Axle, L.H.
15 138234	Assembly, Kit, Input Shaft	55 110081X	Gear, Miter, 15 Teeth
16 110078X	Pinion, Bevel, 14 Teeth	56 105941X	Ring, Retaining
17 105909X	Ring, Retaining	57 110071X	Gear, Spur, 32 Teeth
18 105910X	Chain, 24 Pitches	58 120952X	Shaft, Cross
19 105911X	Bearing, Flange	59 110082X	Gear, Miter, 15 Teeth
20 142675	Gear, Spur, 14 Teeth	60 120475X	Axle, R.H.
21 138246	Collar, Clutch	61 142680	Housing, Lower
22 138236	Assembly, Kit, Clutch Keys	62 120961X	Puck, Friction
23 73810500	Locknut 5/16-24	63 7294J	Disc, Brake
24 142676	Shaft, Intermediate	64 108989X	Spacer
25 2244J	Key, Woodruff, #61	65 120953X	Jaw, Brake
26 105916X	Ring, Retaining	66 120954X	Pin, Dowel
27 120470X	Sprocket, 18 Teeth	67 134799	Screw, Self-Tapping, Large 5/16-18 x 2.25
28 110070X	Spacer	68 138244	Lever, Actuating
29 142677	Gear, Spur, 37 Teeth	69 108996X	Washer, Plain .321 x 1.00 x .055
30 142681	Gear, Spur, 35 Teeth	70 120956X	Bracket, Anti-Rotation
31 120405X	Gear, Spur, 30 Teeth	71 106596X	Screw, Self-Tapping, Large 5/16-18 x 1.44
32 108980X	Gear, Spur, 25 Teeth	72 120951X	Puck, Friction
33 120406X	Gear, Spur, 22 Teeth	73 120416X	Grease
34 134796	Gear, Spur, 19 Teeth		
35 105925X	Washer, Plain .640 x 1.37 x .061		
36 2232J	Washer, Plain .632 x 1.00 x .026		
37 108978X	Spacer .630 x 1.00 x .169		
38 110079X	Assembly, Gear, Combination of 12 Teeth and 35 Teeth		
39 124639X	Shaft, Idler		
40 120472X	Spacer .635 x .875 x .755		

\* Use in combinations to maintain proper clearances

\*\* Order Key No. 15

**NOTE:** All component dimensions given in U.S. inches  
1 inch = 25.4 mm