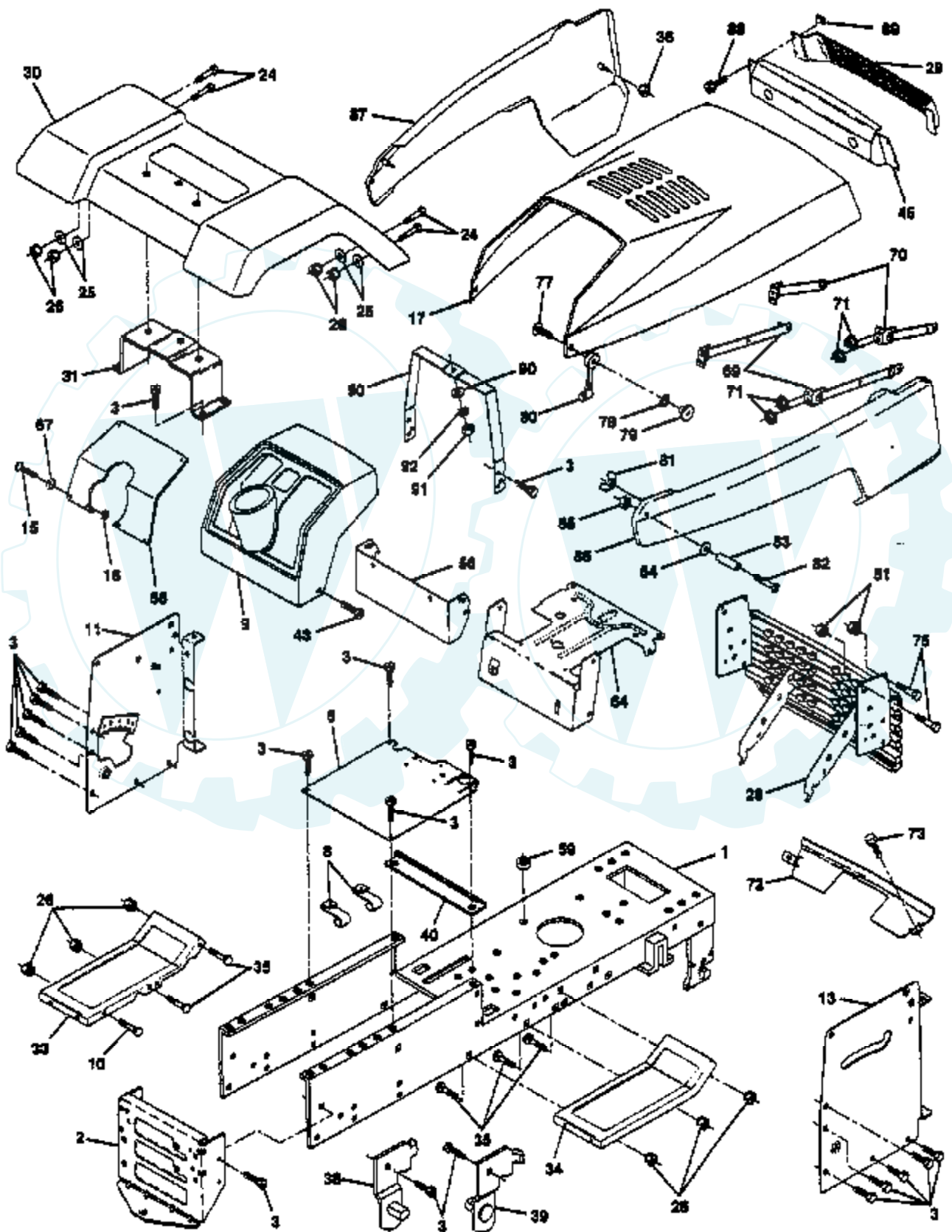


TRACTOR - - MODEL NUMBER 425171

CHASSIS AND ENCLOSURES



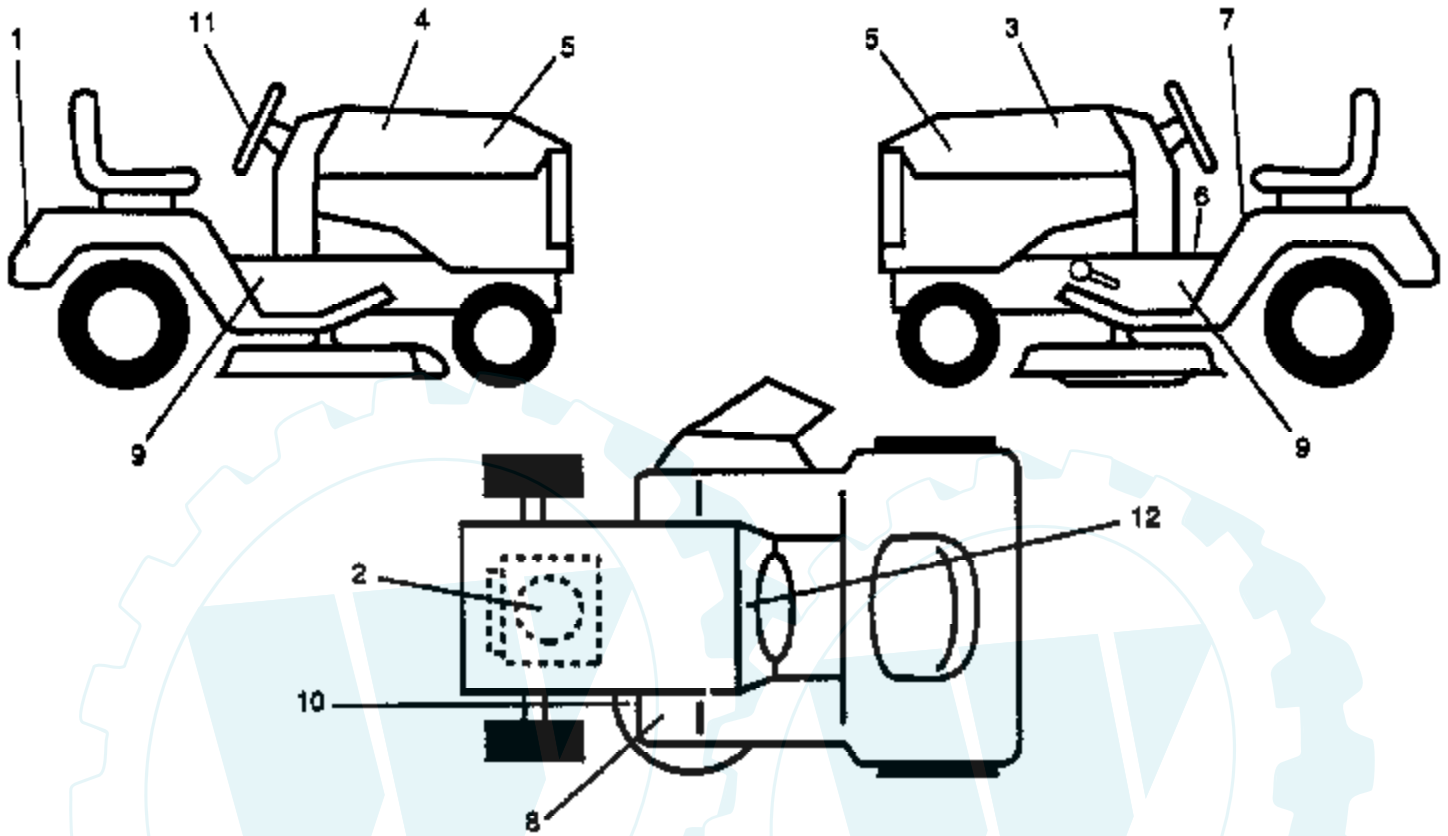
Ref #	Part Number	Qty	Description
1	145501		CHASSIS.WLD.11GA
2	140356		SUB= 145009
3	17490612		SCREW
6	145206		SUB= 145206X431
8	126471X		"CLIP,INSULATOR"
9	140398		DASHBOARD BLACK
10	72140608		SUB= 72110608
11	145229		PANEL.DASH.LH
13	145219		PANEL.DASH.RH.
17	132635X520		HOOD.LT/YT/GT
20	73510500		NUT
24	74780616		BOLT
25	19131312		WASHER
26	73800600		NUT
28	131716		SUB= 532131716
29	106395X		LENS LT
30	140001X520		FENDER.PNTD
31	139976		BRACKET SUPT FEND
33	105465X520		FOOTREST.LH
34	105464X520		SUB= 145243X520
35	72110606		BOLT
36	108067X		PAL NUT LT
38	139886		BRACKET ASM LH
39	139887		BRACKET ASM RH
40	139977		SPACER FENDER LT
41	139978		PLATE EXTEN FEND
43	19171416		WASHER
45	124392X417		SUB= 147717
50	145205		DASH.SUPT.YP/HUSQ
51	73800400		NUT
56	72140606		BOLT
59	110436X		SUB= 9151R
64	145095		SUB= 150272
66	135138X016		PLATE.DASH
67	19111116		WASHER
69	106784X		SUB= 155013
70	104618X		SUB= 155013
71	73640400		NUT HXKEP 1/4X20
72	105419X520		STRAP.GRILL
73	17580408		SCREW CRT
75	123481X		SUB= 7605J
77	74191008		SCREW
78	10071000		LOCKWASHER
79	2029J		WELDNUT
80	109808X		HOOD LATCH T
81	146525		WINGNUT.1/20.NYL.
82	74981020		SCREW
83	7206J		SPACER LT
84	19070818		WASHER
85	73731000		NUT
86	137655X520		PANEL.SIDE.RH
87	132637X520		PANEL.SIDE.LH
88	17211010		SCREW LT
89	104755X		"" J"" FASTENER LT"
90	19091216		WASHER PM
91	73220400		SUB= 50675
92	10040400		LOCKWASHER
129	19091016		WASHER

Ref #	Part Number	Qty	Description
	5479J		PLUG BUTTON T



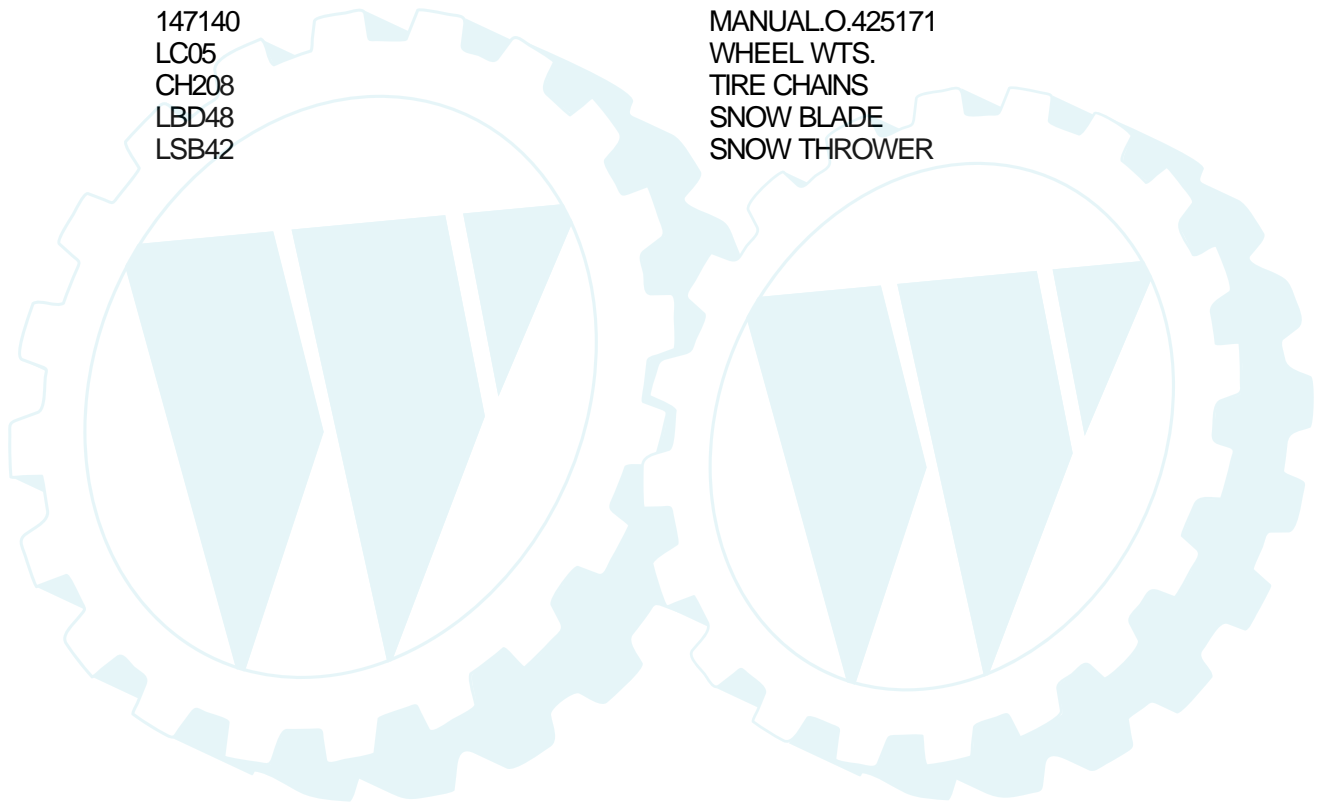
TRACTOR - - MODEL NUMBER 425171

DECALS



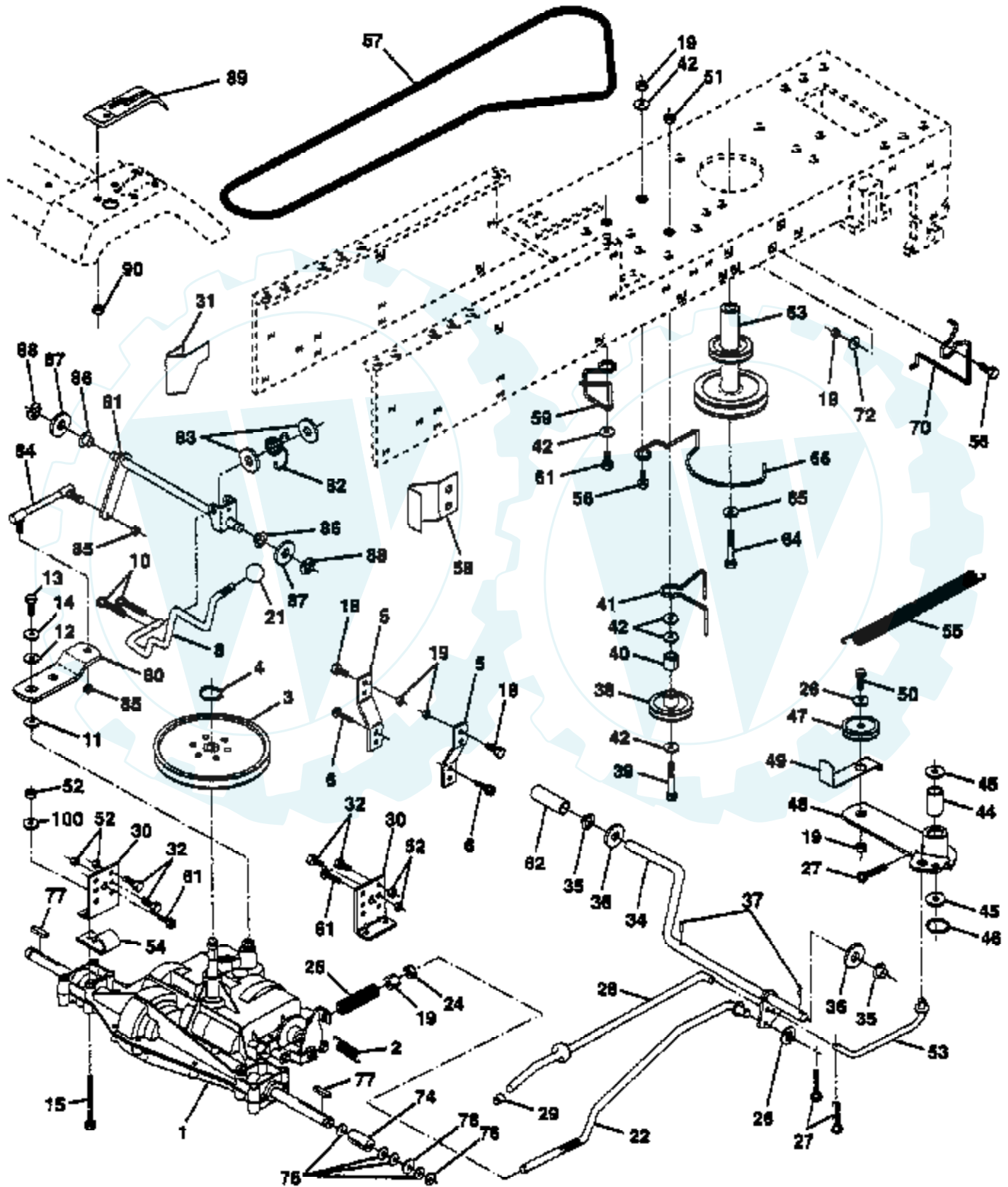
NOTE: All component dimensions given in U.S. inches
1 inch = 25.4 mm

Ref #	Part Number	Qty	Description
1	138984		DECAL.FENDER
2	135426		DECAL.ENG.272559
3	146588		DECAL.HD.LH.LOWER
4	146587		DECAL.HD.RH.LOWES
5	135020		NLA
6	140837		DECAL BRAK PARK
7	133796		DECAL
8	4900J		DECAL T
9	139016		DECAL.CHASSIS
10	139346		"DECAL.V.BELT.44""
11	138990		DECAL.WHL.STRG
12	138955		DECAL.DASH.INST.
	133671		FOOTREST PAD
	138311		DECAL HANDLE LIFT
	147140		MANUAL.O.425171
	LC05		WHEEL WTS.
	CH208		TIRE CHAINS
	LBD48		SNOW BLADE
	LSB42		SNOW THROWER



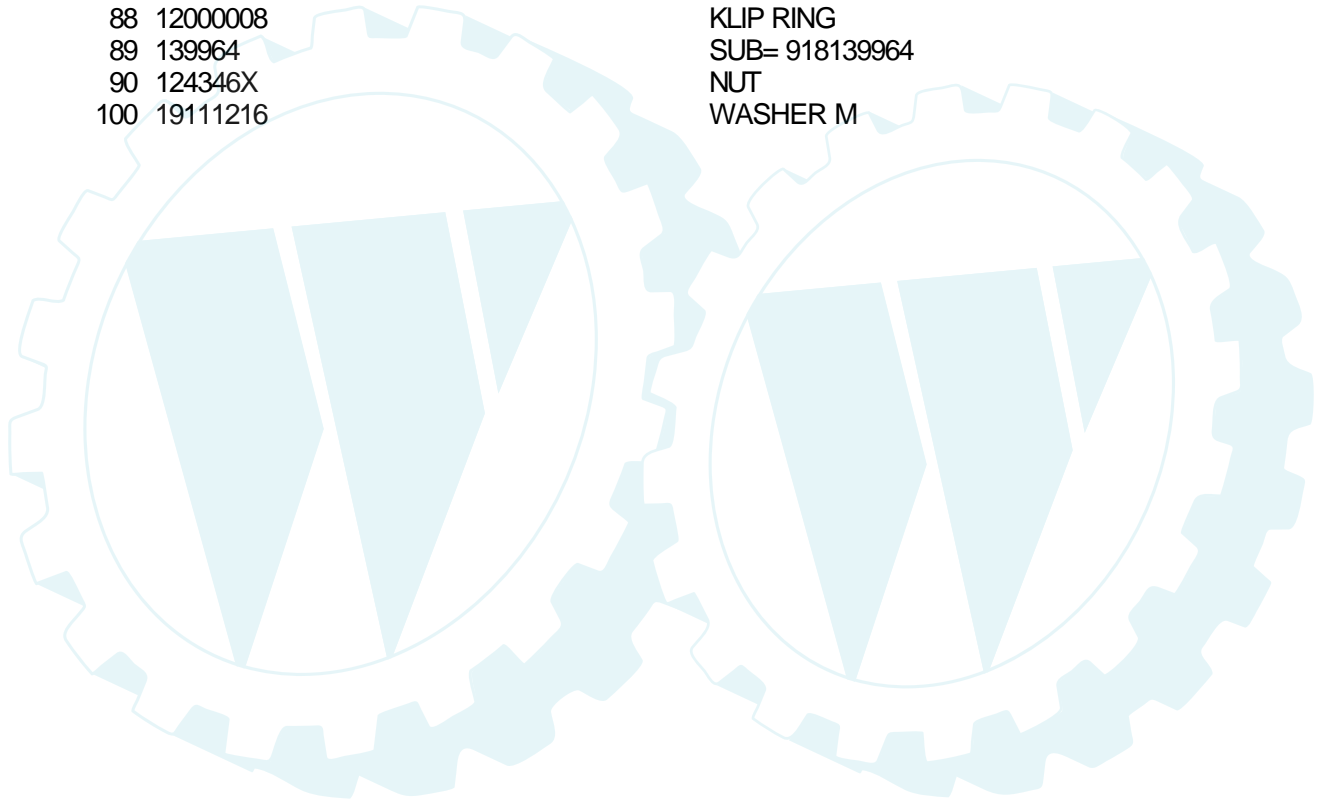
TRACTOR -- MODEL NUMBER 425171

DRIVE



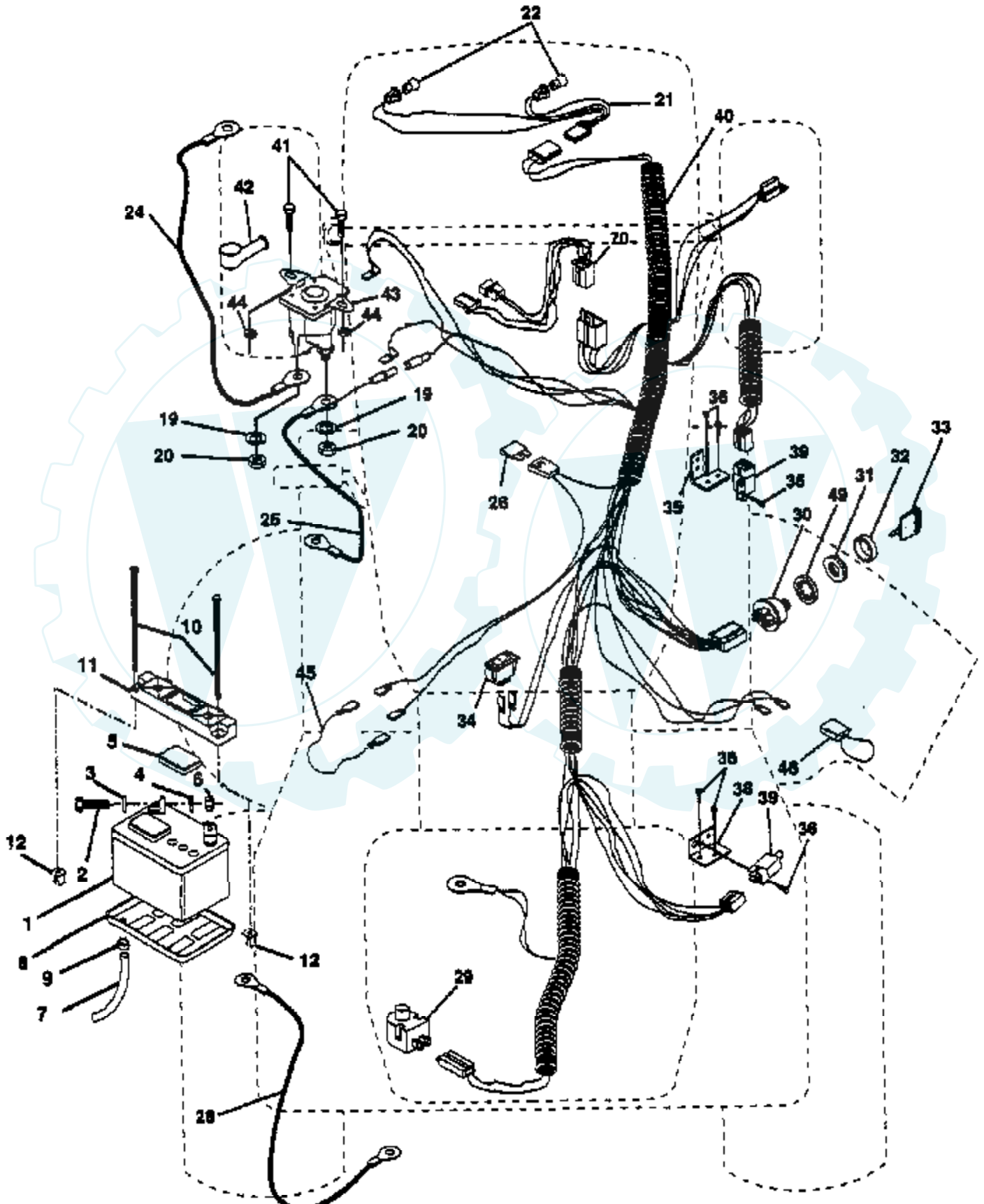
Ref #	Part Number	Qty	Description
1	145605		SUB= 161899
2	110422X		SUB= 146682
3	123666X		PULLEY TRANS
4	12000028		SUB= 2267J
5	121520X		STRAP TORQUE
6	17490512		SCREW
8	141003		ROD SHIFT FEND LT
10	76020416		PIN COTTER 1/8
11	105701X		WASH-SHFT PLT LT
12	19151216		WASHER
13	74550412		BOLT.1/4-28.W/PAT
14	10040400		LOCKWASHER
15	74780544		BOLT HEX
18	74780616		BOLT
19	73800600		NUT
21	106933X		KNOB T (1/2-HOLE)
22	130804		BRAKE ROD
24	73350600		NUT
25	106888X		SPRING ROD LT
26	19131316		WASHER
27	76020412		COTTER PIN
28	145204		ROD.BRAKE.PARK.LT
29	71673		PLUNGER CAP T
30	130807		TRANSAXLE MTG BKT
31	127275X		"KEEPER,BELT LH T"
32	74760512		BOLT
34	122424X		SUB= 149001
35	120183X		NYLON BEARING
36	19211616		WASHER LT
37	1572H		SUB= 2882J
38	123674X		PULLEY.IDLER.FLAT
39	74760644		BOLT
40	4470J		SPACER T
41	109070X		BELT KEEPER LT
42	19131312		WASHER
44	105706X		"LY, BEARING"
45	110812X		WASHER LT
46	12000039		KLIP RING
47	127783		SUB= 139245
48	123789X		ARM IDLER
49	123205X		RETAIN BELT
50	74760624		SUB= 74930624
51	73680600		SUB= 73690600
52	73680500		SUB= 73690500
53	105710X		"LINK, CLUTCH T"
54	2751R		CLIP T
55	105709X		"SPRING, RETURN LT"
56	74760620		SUB= 74780620
57	130801		SUB= 138255
58	127274X		"KEEPER,BELT RH T"
59	140312		KEEPER BELT CNTSP
61	17490612		SCREW
62	8883R		PEDAL COVER T
63	140186		PULLEY.ENGINE
64	71170764		BOLT
65	10040700		LOCKWASHER
66	129921		KEEPER BELT ENGL
70	134683		KEEPER BELT ENG

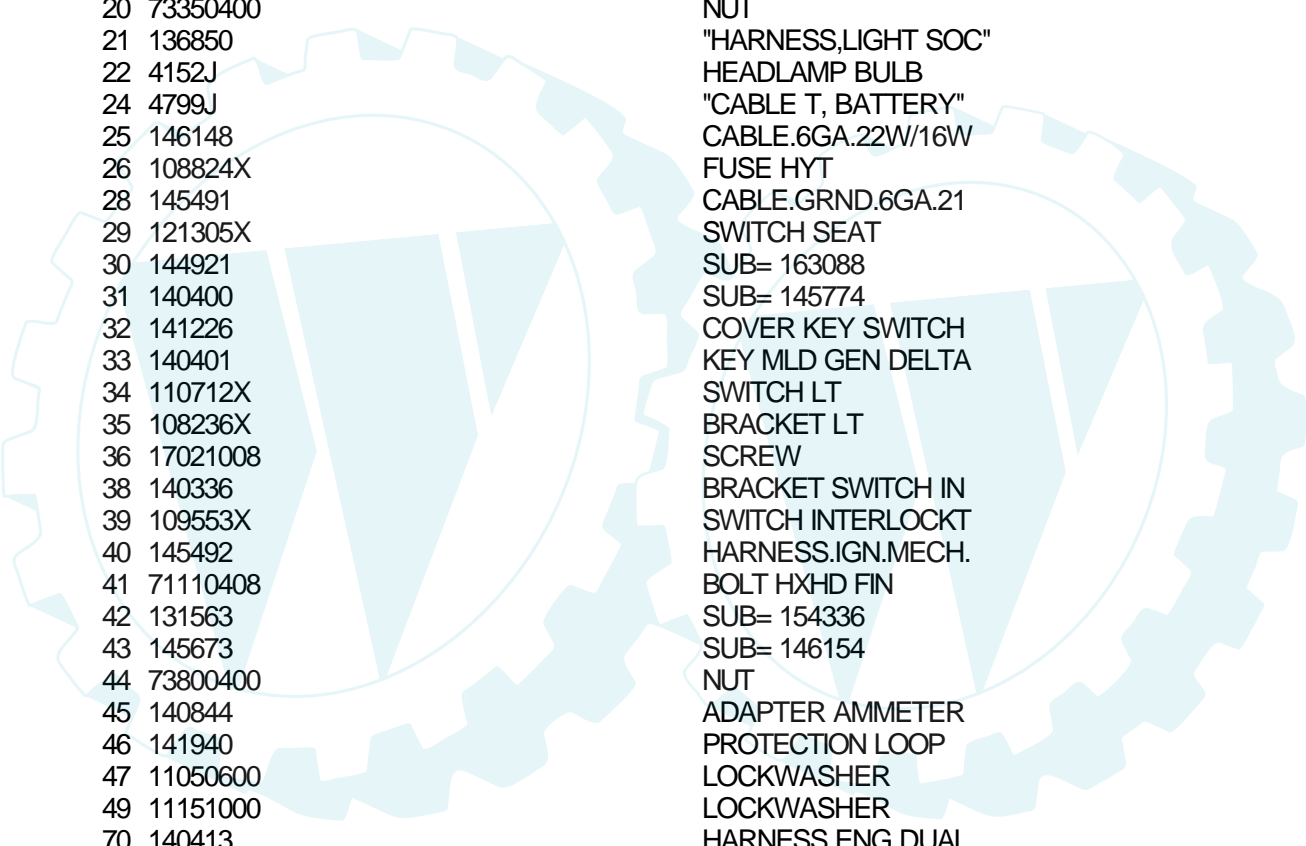
Ref #	Part Number	Qty	Description
72	19132012		WASHER
74	109502X		SPACER LT
75	121749X		WASHER
76	12000001		E-RING LT
77	123583X		SQUARE KEY
78	121748X		WASHER
80	131487		ARM SHIFT TRANS
81	136933		SHAFT ASM.SHIFT
82	123782X		"SPRING,TORSION"
83	19171216		WASHER
84	132183		TIE ROD
85	73530400		NUT 1/4-28
86	71208		BUSHING
87	19212016		WASHER D
88	12000008		KLIP RING
89	139964		SUB= 918139964
90	124346X		NUT
100	19111216		WASHER M



TRACTOR - - MODEL NUMBER 425171

ELECTRICAL

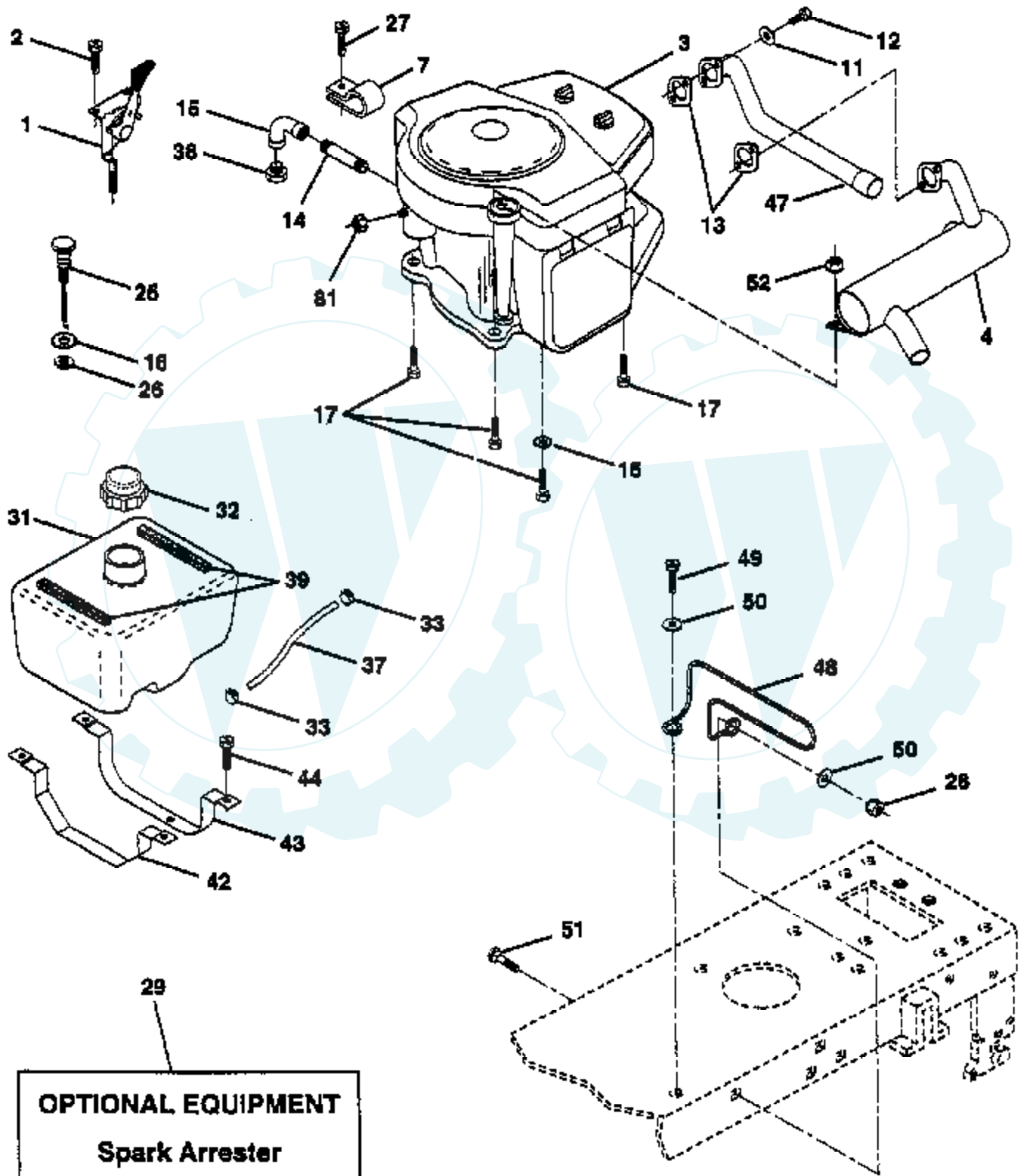




Ref #	Part Number	Qty	Description
1	121265X		SUB= 123899X
2	74760412		BOLT LT
3	19091016		WASHER
4	10040400		LOCKWASHER
5	121264X		"CAP,BATTERY "
6	73220400		SUB= 50675
7	7697J		"DRAIN TU T, BATT"
8	7603J		"TRAY T, BATTERY"
9	109596X		HOSE CLAMP T
10	145211		SUB= 150177
11	145209		SUB= 150109
12	145769		SUB= 150177
19	10090400		SUB= 10040400
20	73350400		NUT
21	136850		"HARNES, LIGHT SOC"
22	4152J		HEADLAMP BULB
24	4799J		"CABLE T, BATTERY"
25	146148		CABLE.6GA.22W/16W
26	108824X		FUSE HYT
28	145491		CABLE.GRND.6GA.21
29	121305X		SWITCH SEAT
30	144921		SUB= 163088
31	140400		SUB= 145774
32	141226		COVER KEY SWITCH
33	140401		KEY MLD GEN DELTA
34	110712X		SWITCH LT
35	108236X		BRACKET LT
36	17021008		SCREW
38	140336		BRACKET SWITCH IN
39	109553X		SWITCH INTERLOCKT
40	145492		HARNES.IGN.MECH.
41	71110408		BOLT HXHD FIN
42	131563		SUB= 154336
43	145673		SUB= 146154
44	73800400		NUT
45	140844		ADAPTER AMMETER
46	141940		PROTECTION LOOP
47	11050600		LOCKWASHER
49	11151000		LOCKWASHER
70	140413		HARNES ENG DUAL

TRACTOR -- MODEL NUMBER 425171

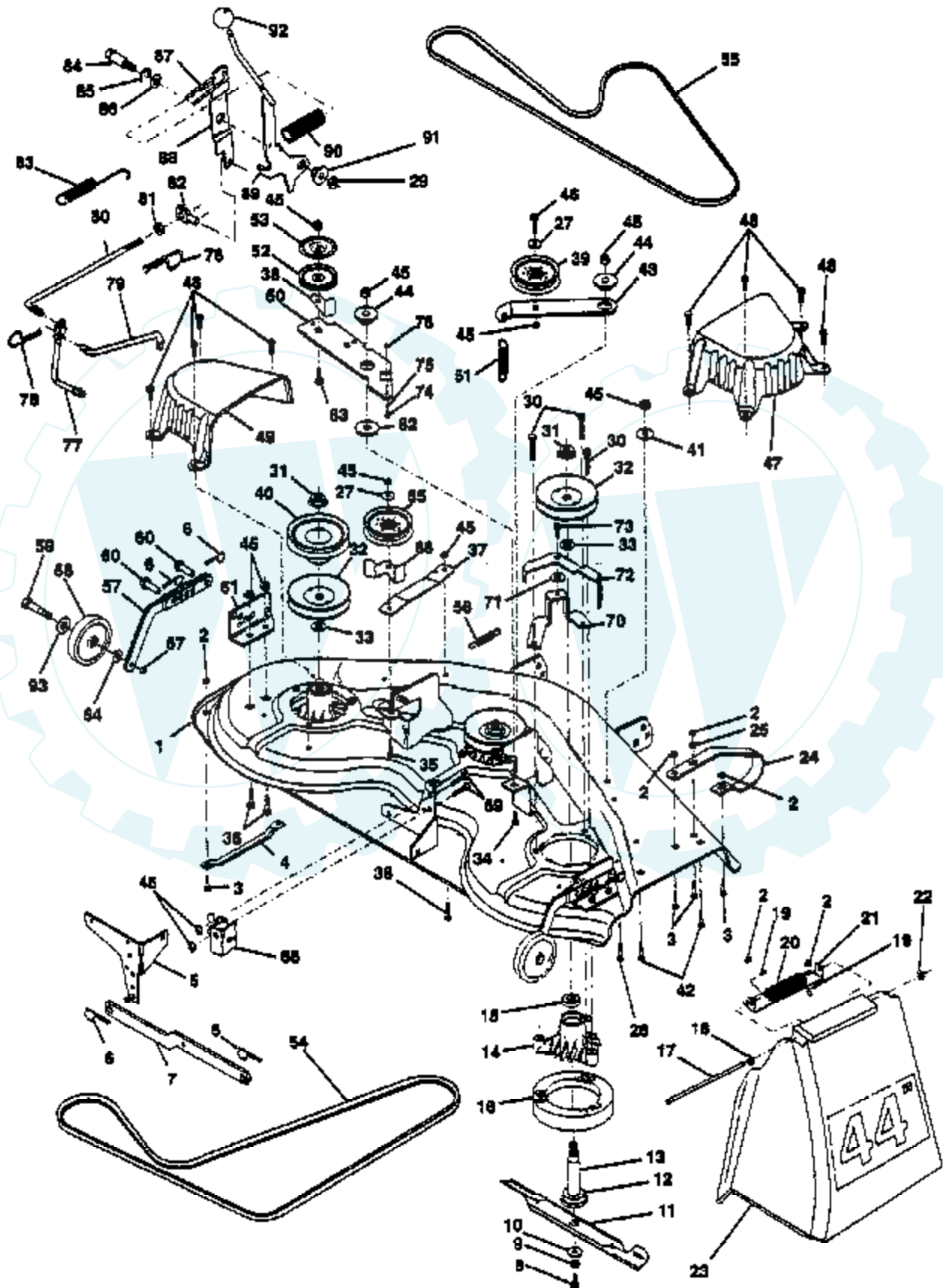
ENGINE



Ref #	Part Number	Qty	Description
1	132747		SUB= 532132748
2	17720410		SCREW LT
3	422707		ENGINE B&S 18HP
4	108373X		MUFFLER HYT
7	138129		CLAMP.TUBE.DBL.EN
11	10040400		LOCKWASHER
12	74780412		SUB= 74780414
13	8545J		SUB= 272250
14	13280336		PIPE NIPPLE LT
15	13200300		ELBOW
16	11050600		LOCKWASHER
17	17490624		SCREW LT
25	138672		"CONTROL.CHOKE.51""
26	73610600		SUB= 7810H
27	17541008		SCREW.10-24X1/2
28	73680600		SUB= 73690600
29	137180		SUB= 532137180
31	141291		TANK FUEL 1.9 NAT
33	123487X		HOSE CLAMP
32	140527		CAP ASM FUEL
37	7833R		HOSE T
38			CHECK WITH SUPPLIER
39	126564X		"STRIP,FORM"
42	140020		STRAP TANK FUEL
43	140019		STRAP TANK FRONT
44	17490612		SCREW
47	100229L		EXHAUST TUBE T
48	135029		MUFFLER GUARD
49	17490612		SCREW
50	19131616		WASHER HYT
51	72110608		BOLT D
52	73510600		NUT
81	73510400		NUT

TRACTOR - - MODEL NUMBER 425171

MOWER DECK

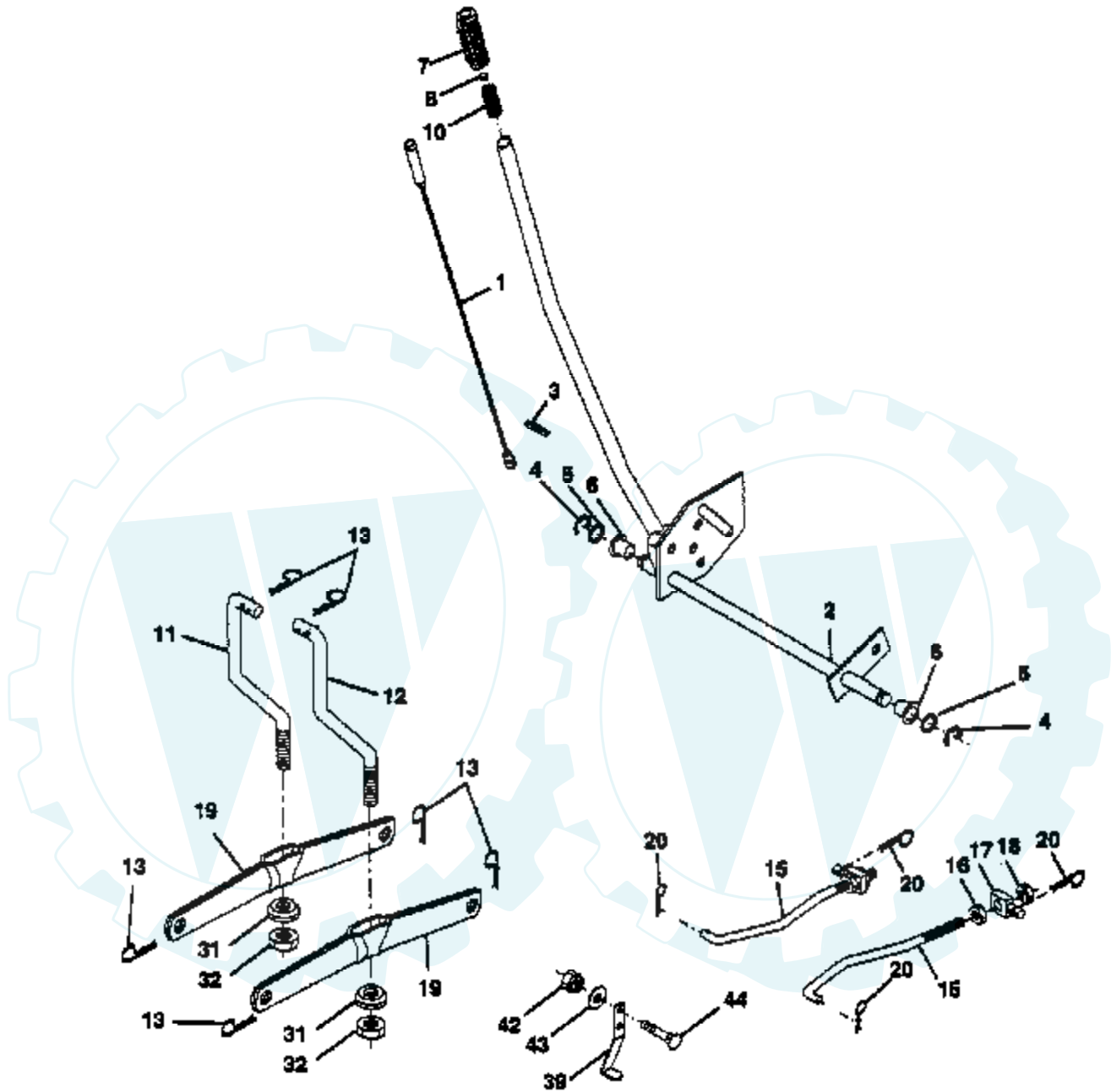


Ref #	Part Number	Qty	Description
1	140579		"DECK ASM WELD44""
2	73680500		SUB= 73690500
3	72110506		SUB= 72270506
4	7631J		RUNNER-LH M
5	138457		BRKT.ASM.SW.44/50
6	4939M		SUB= 85902
7	130832		SUB= 130833
8	850857		BLADE BOLT
9	10030600		SUB= 10040600
10	140296		WASHER.HARD.BLADE
11	130652		"BLADE.44"" HIPERF"
12	129895		BEARING.BALL
13	137553		SHAFT.ASM.W/BRNG
14	137152		HOUSING.MAND.44.V
15	110485X		BEARING
16	140329		STRIPPER RND MWR
17	106735X		ROD-HINGE T
18	19111016		WASHER
19	105304X		CAP-SLEEVE LT
20	123713X		SPRING TORSION
21	137607		BRKT DEFLECTOR
22	110452X		NUT PUSH M
23	109785X		DEFLECTOR SHIELD
24	136321		RUNNER.RH
25	19111216		WASHER M
26	72110606		BOLT
27	19131316		WASHER
29	73800600		NUT
30	138776		SUB= 157722
31	137266		SUB= 139729
32	129861		SUB= 153535
33	129963		WASHER
34	72140610		BOLT.3/8-14X1.25
35	72110616		BOLT
36	72110608		BOLT D
37	137166		STIFFENER.ARM.IDL
38	140365		KEEPER BELT IDLER
39	131494		FLAT IDLER PULLEY
40	136572		"PULLEY.DRIVEN.44""
41	19171616		WASHER
42	72140506		BOLT
43	136460		"ARM.IDLER.SEC.44""
44	122052X		SPACER RETAINER
45	73680600		SUB= 73690600
46	74760628		BOLT
47	137200		"COVER.MAND.RH.44""
48	137729		SCREW.1/4-20X5/8
49	136574		COVER.MANDREL.LH
50	137272		ARM.IDLER.PRIMARY
51	137273		"SPRING.SEC.44""VEN"
52	139245		PULLEY.IDLER.VGRO
53	137789		SHIELD.IDLER.44.V
54	142686		BELT-V MOWER PRIM
55	131290		BELT-V.88.12.MW
56	126910X		"SPRING,EXTENTION"
57	136577		BAR.ASM.GUAGE.WHL
59	4898H		BOLT M
60	139031		PIN.CLEVIS

Ref #	Part Number	Qty	Description
61	136573		BRACKET.GUAGE.WHL
62	133943		HARDENED WASHER
63	72110612		BOLT.3/8-16X1.50
64	19121414		WASHER
65	102403X		IDLER-FLAT T
66	139622		SUB= 918139622
67	73800600		NUT
68	140364		BRACKET PVT MCH
69	74760612		SUB= 74780612
70	140361		"BRACKET SUPT 44""
71	133944		HARD SMALL WASHER
72	140367		ARM BRAKE ASM
73	139888		BOLT.SHLD.5/16-18
74	133940		SUB= 151785
75	131340		SHOULDER BOLT
76	69180		LOCKNUT
77	133551		PIVOT ROD
78	4497H		RETAINER M
79	140363		ROD CLUTCH SECON
80	143354		ROD.CLUTCH.PRIM44
81	73350600		NUT
82	142028		TRUNION ADJ
83	131870		RETURN SPRING
84	128903		SHOULDER BOLT
85	12000029		RING
86	121748X		WASHER
87	127845		SPRING KEEPER
88	127847		CLUTCH ARM SECOND
89	140335		LEVER.CLU.PRIM.
90	128759		SUB= 918128759
91	127498		BUSHING
92	132044		SUB= 532132044
	143419		DECK MOWER COMP
	143651		MANDREL SERV ASM

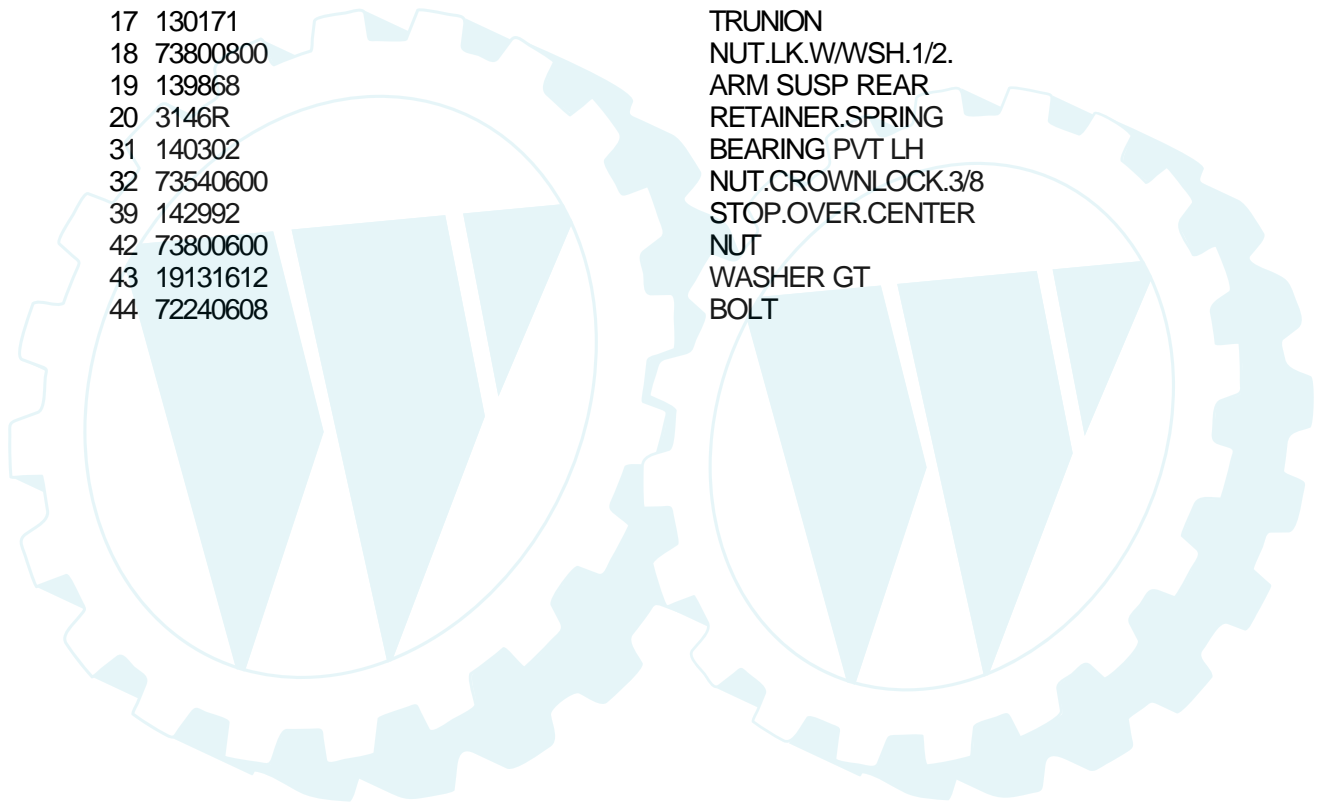
TRACTOR - - MODEL NUMBER 425171

MOWER LIFT



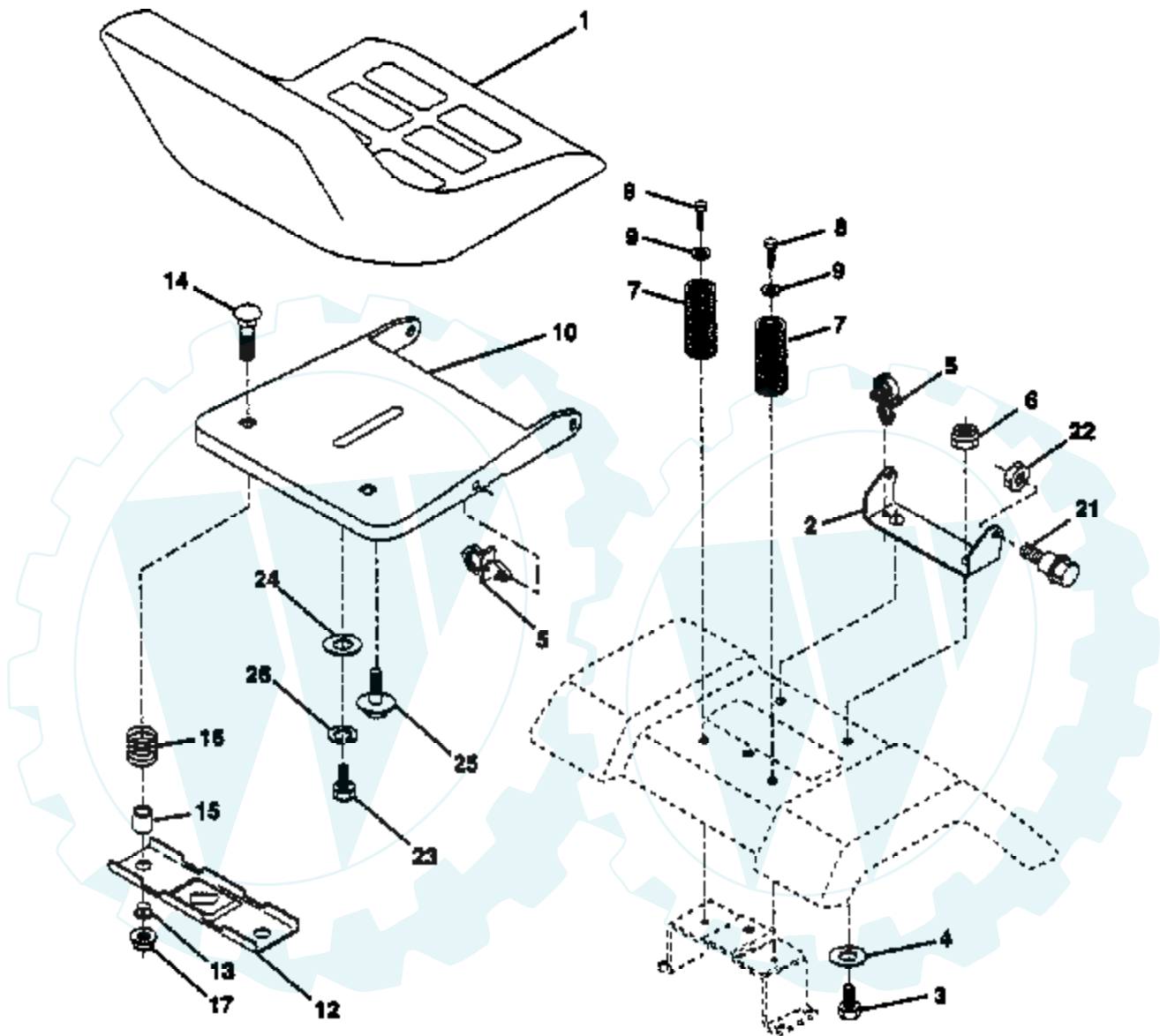
NOTE: All component dimensions given in U.S. inches
1 inch = 25.4 mm

Ref #	Part Number	Qty	Description
1	136973		WIRE ASM
2	137111		SHAFT.ASM.LIFT LH
3	138284		PIN GROOVE
4	12000002		SUB= 2225J
5	19211416		WASHER
6	120183X		NYLON BEARING
7	109413X		GRIP
8	124526X		SUB= 125925X
10	122512X		SUB= 532122512
11	139865		SUB= 918139865
12	139866		SUB= 151140
13	4939M		SUB= 85902
15	127218		LINK.FRONT
16	73350800		NUT
17	130171		TRUNION
18	73800800		NUT.LK.W/WSH.1/2.
19	139868		ARM SUSP REAR
20	3146R		RETAINER.SPRING
31	140302		BEARING PVT LH
32	73540600		NUT.CROWNLOCK.3/8
39	142992		STOP.OVER.CENTER
42	73800600		NUT
43	19131612		WASHER GT
44	72240608		BOLT



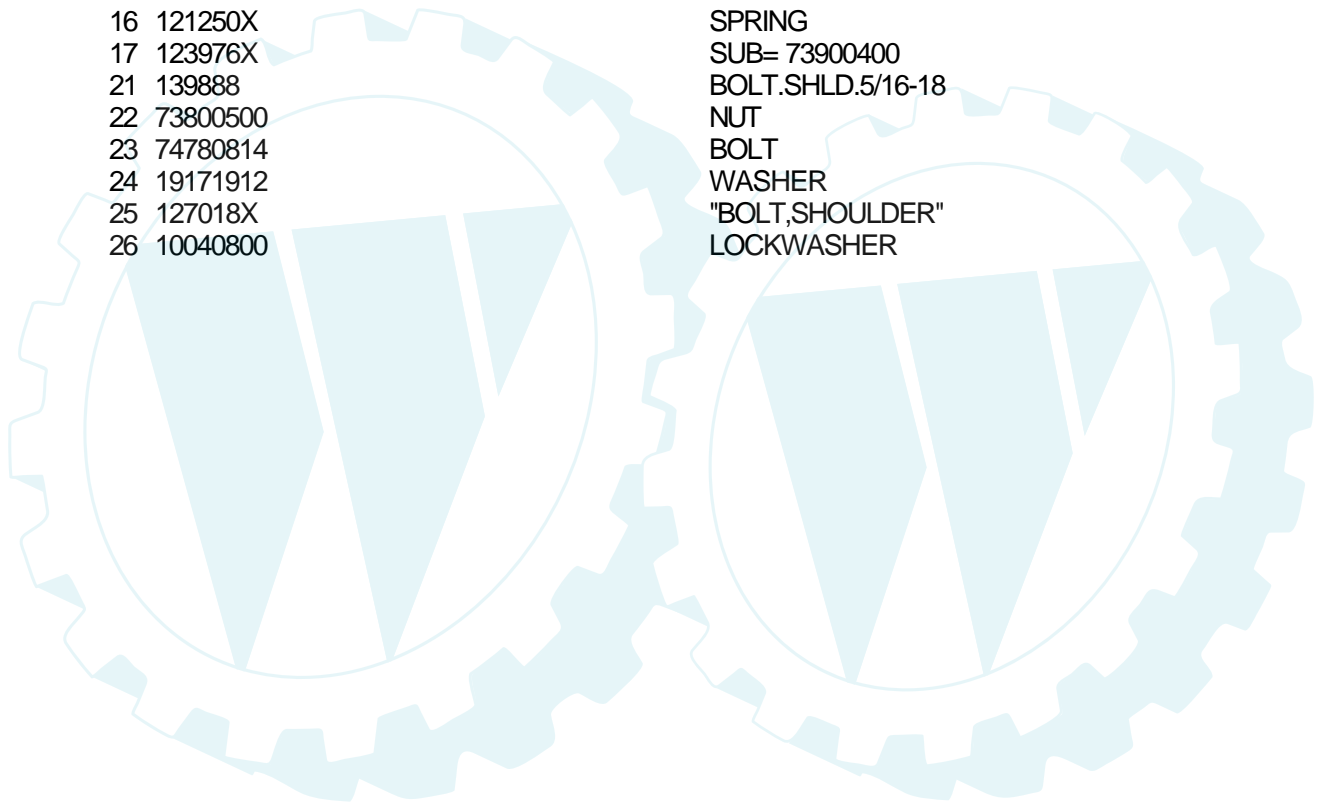
TRACTOR - - MODEL NUMBER 425171

SEAT ASSEMBLY



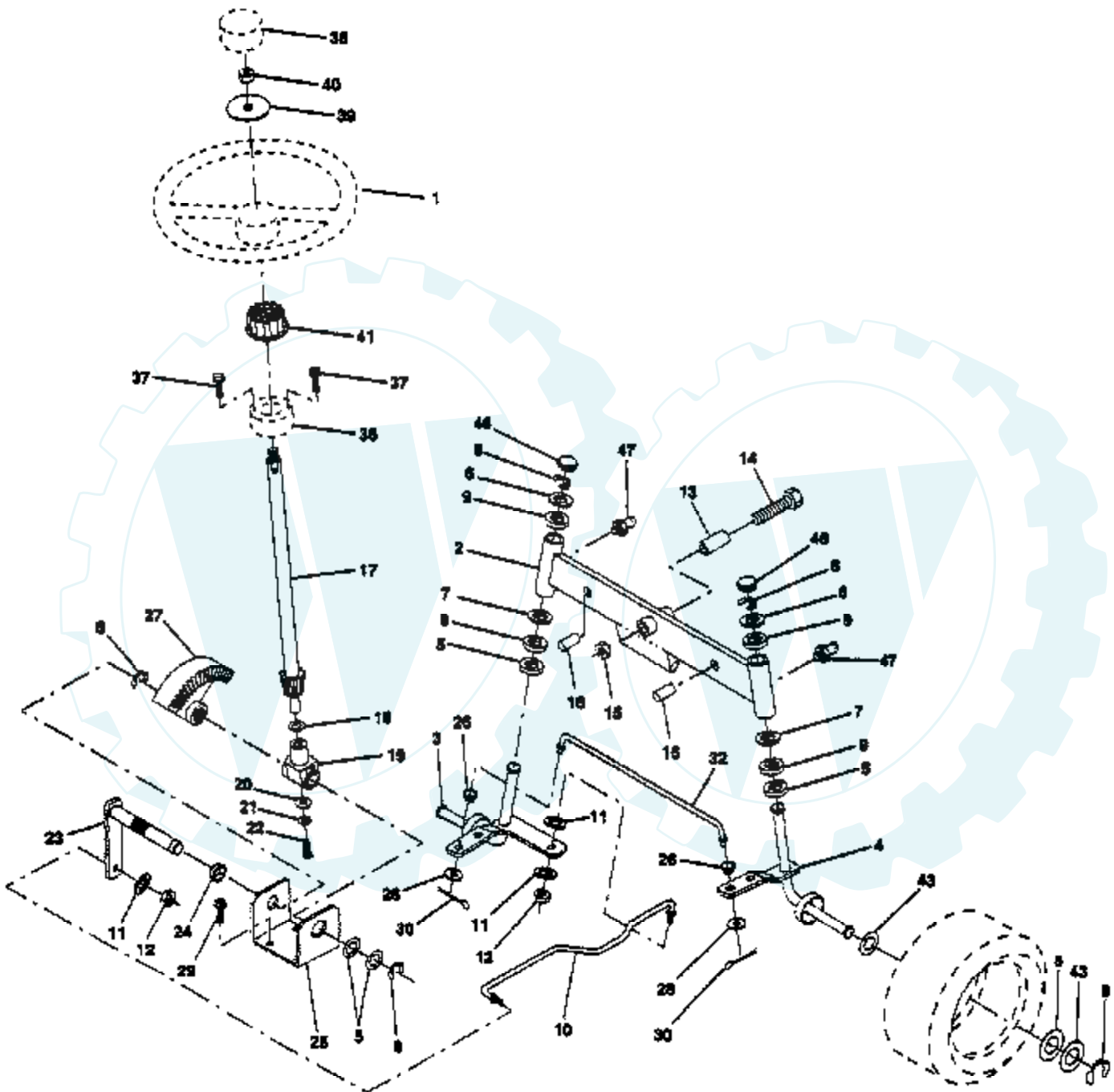
NOTE: All component dimensions given in U.S. inches
1 inch = 25.4 mm

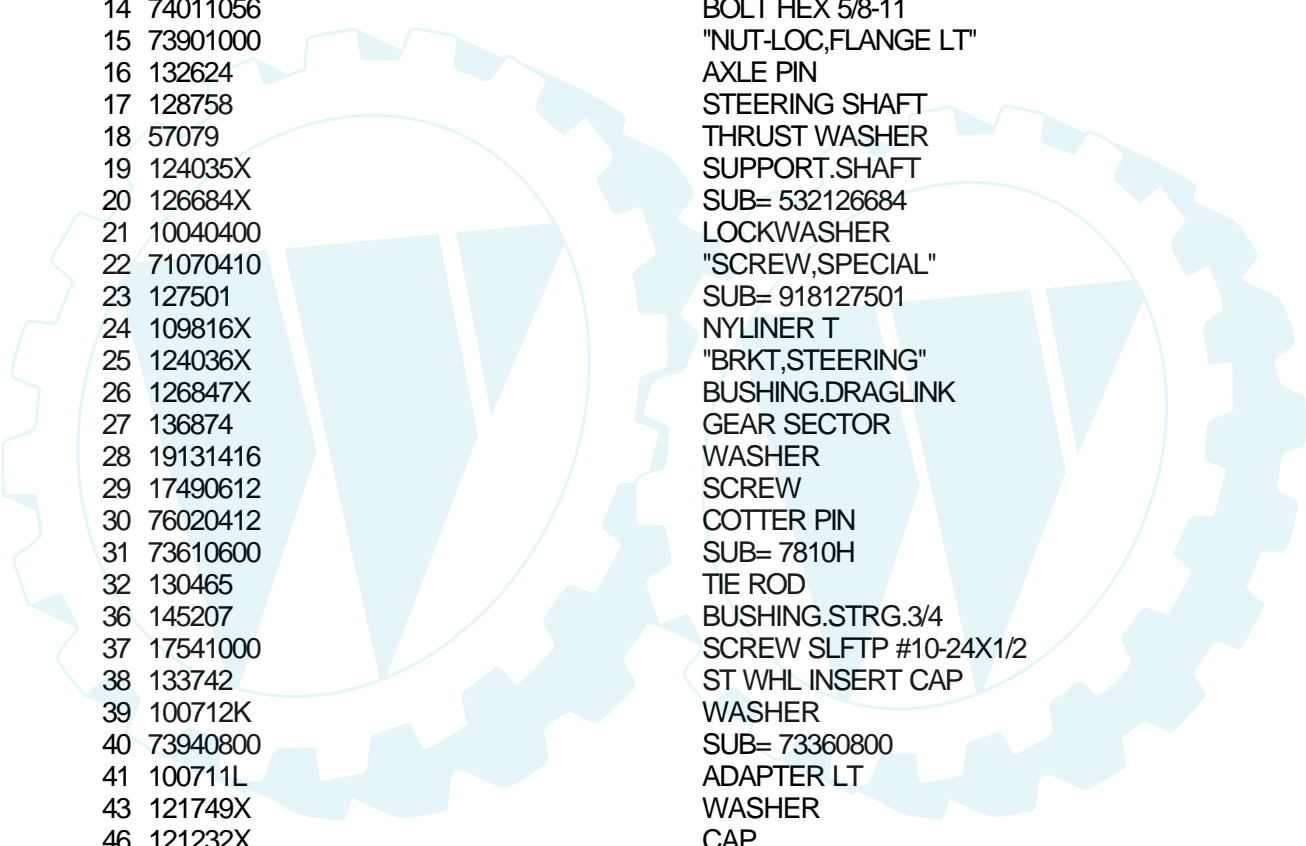
Ref #	Part Number	Qty	Description
1	127428		SUB= 140119
2	140551		BRACKET PVT SEAT
3	74760616		BOLT
4	19131610		WASHER PM
5	145006		CLIP.PUSH-IN.HING
6	73800600		NUT
7	124181X		SPRING COMPRESSIO
8	17490616		SCREW GTV
9	19131614		WASHER
10	140552		SUB= 155925
12	121246X		BRKT SWITCH
13	121248X		BUSHING
14	72050411		SUB= 872050411
15	134300		SPLIT SPACER
16	121250X		SPRING
17	123976X		SUB= 73900400
21	139888		BOLT.SHLD.5/16-18
22	73800500		NUT
23	74780814		BOLT
24	19171912		WASHER
25	127018X		"BOLT,SHOULDER"
26	10040800		LOCKWASHER



TRACTOR - - MODEL NUMBER 425171

STEERING ASSEMBLY

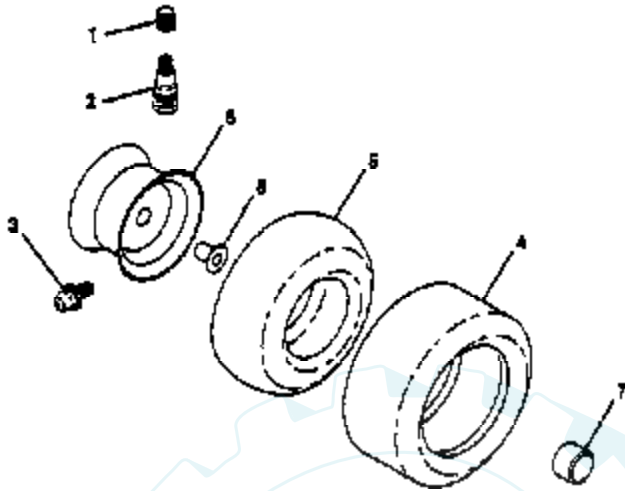




Ref #	Part Number	Qty	Description
1	133741		SUB= 150547
2	142033		AXLE ASM FRONT
3	135227		SPINDLE LH
4	135228		SPINDLE RH
5	6266H		WASHER .T
6	121748X		WASHER
7	19272016		WASHER
8	12000029		RING
9	3366R		COL. SRTG. BEAR.
10	130468		SUB= 532130468
11	10040600		LOCKWASHER
12	73610600		SUB= 7810H
13	110438X		BEARING
14	74011056		BOLT HEX 5/8-11
15	73901000		"NUT-LOC,FLANGE LT"
16	132624		AXLE PIN
17	128758		STEERING SHAFT
18	57079		THRUST WASHER
19	124035X		SUPPORT.SHAFT
20	126684X		SUB= 532126684
21	10040400		LOCKWASHER
22	71070410		"SCREW,SPECIAL"
23	127501		SUB= 918127501
24	109816X		NYLINER T
25	124036X		"BRKT,STEERING"
26	126847X		BUSHING.DRAGLINK
27	136874		GEAR SECTOR
28	19131416		WASHER
29	17490612		SCREW
30	76020412		COTTER PIN
31	73610600		SUB= 7810H
32	130465		TIE ROD
36	145207		BUSHING.STRG.3/4
37	17541000		SCREW SLFTP #10-24X1/2
38	133742		ST WHL INSERT CAP
39	100712K		WASHER
40	73940800		SUB= 73360800
41	100711L		ADAPTER LT
43	121749X		WASHER
46	121232X		CAP
47	6855M		ZERK M

TRACTOR - - MODEL NUMBER 425171

WHEELS & TIRES



NOTE: All component dimensions given in U.S. inches
1 inch = 25.4 mm

Ref #	Part Number	Qty	Description
1	59192		VALVE CAP
2	65139		VALVE STEM LT
3	278H		FITTING LT
4	106222X		SUB= 122073X
4A	138468		TIRE.20X8-8
5	59904		TUBE.5.3/4.5/6
5A	7152J		TUBE.18X9.5-8
6	106732X417		"RIM,FRT T"
6A	106108X417		"RIM 8""
7	104757X		HUB CAP
8	9040H		"FLANGE, BEARING"

