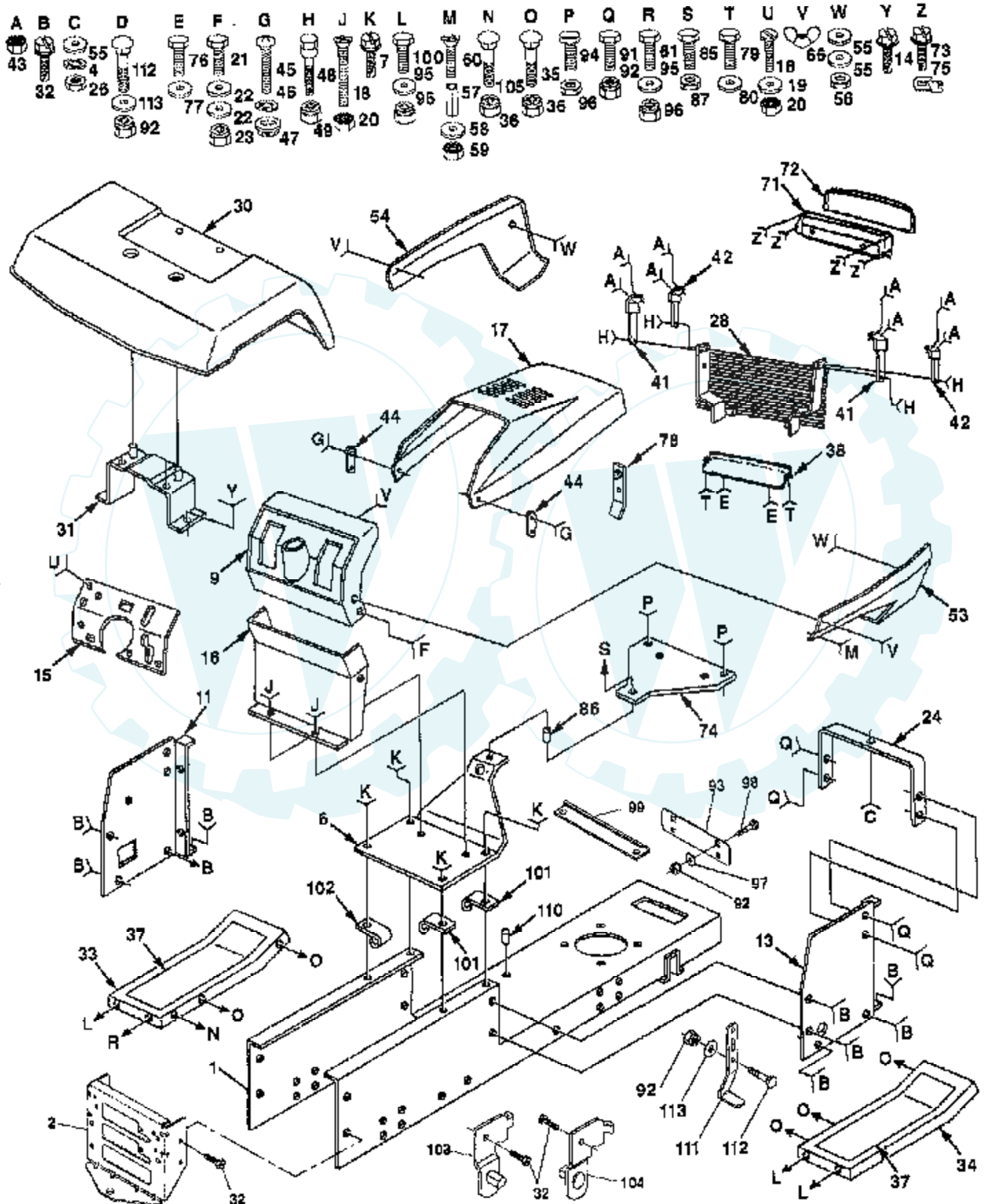


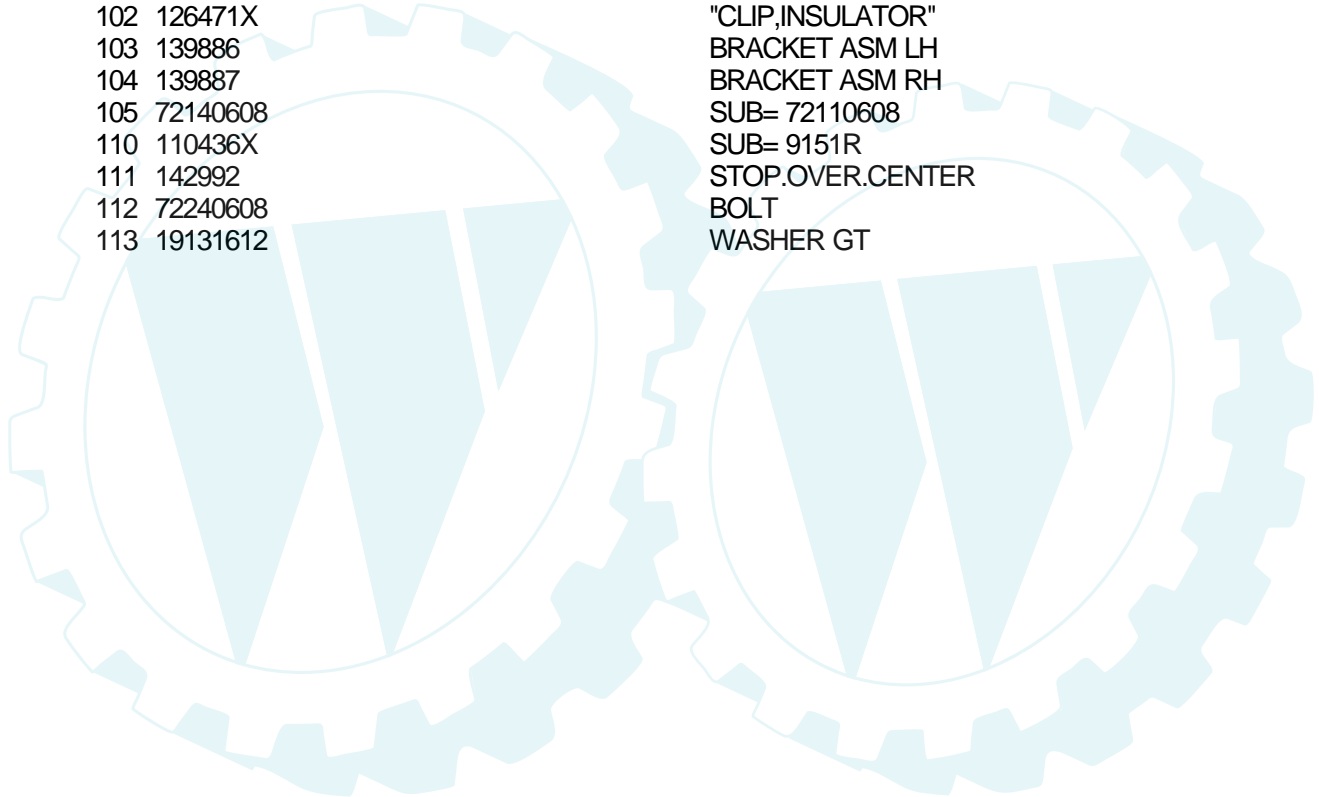
# 18 HP 44" TRACTOR -- MODEL NUMBER 425170

## CHASSIS AND ENCLOSURES



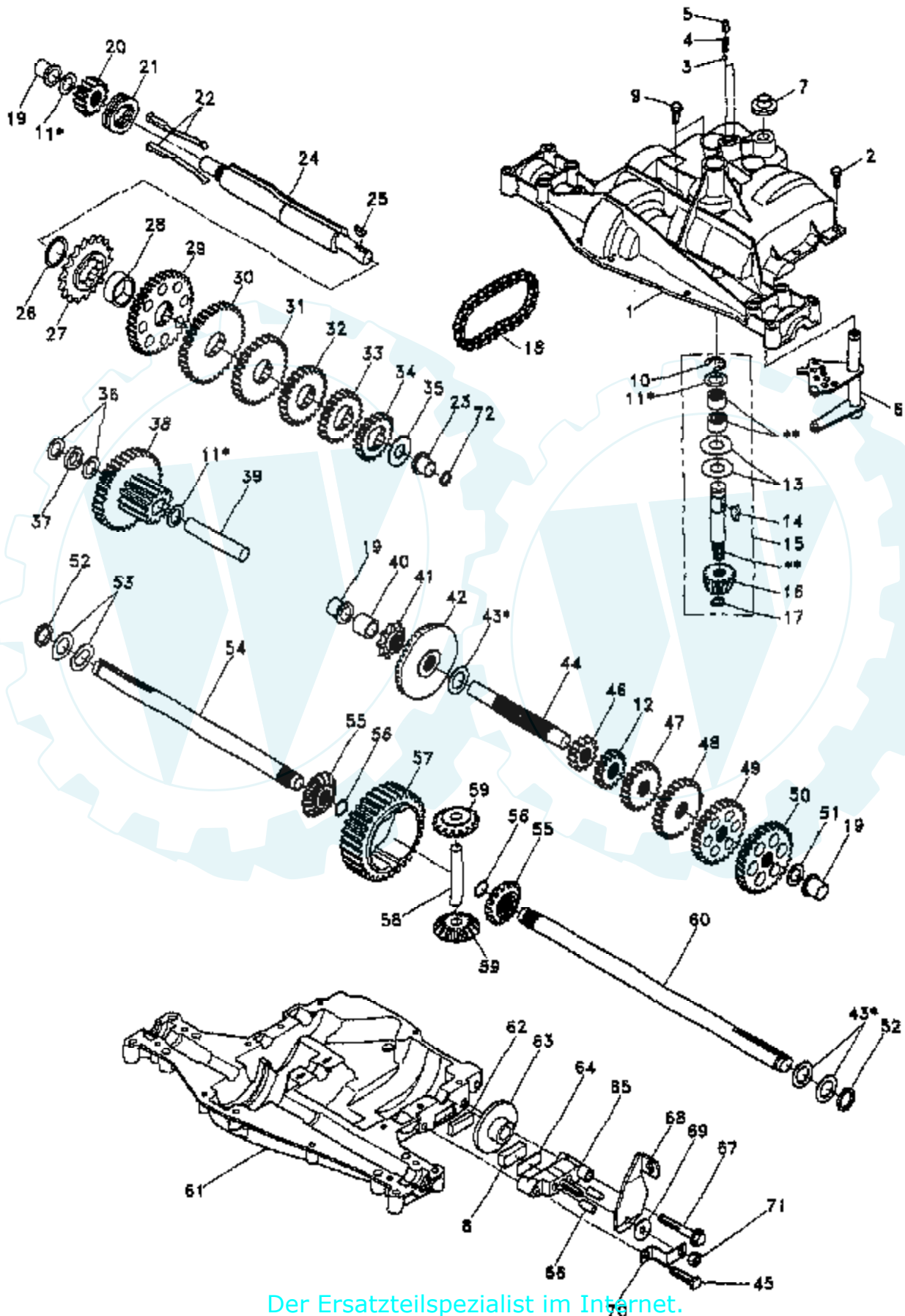
Ref #	Part Number	Qty	Description
1	140341		SUB= 145501
2	140356		SUB= 145009
4	10040400		LOCKWASHER
6	127543X		SUB= 127543X011
7	17490616		SCREW GTV
9	140398		DASHBOARD BLACK
11	141108		PANEL.DASH.LH.ASM
13	140284		PANEL.DASH.RH.ASM
14	17490612		SCREW
15	135138X016		PLATE.DASH
16	132177		LOWER DASH
17	132635X520		HOOD.LT/YT/GT
18	74180512		SCREW
19	19111116		WASHER
20	73510500		NUT
21	74760612		SUB= 74780612
22	19131312		WASHER
23	73680600		SUB= 73690600
24	124130X		SUPPORT ASSY
26	73220400		SUB= 50675
28	131716		SUB= 532131716
30	140001X520		FENDER.PNTD
31	139976		BRACKET SUPT FEND
32	17490612		SCREW
33	105464X520		SUB= 145243X520
34	105465X520		FOOTREST.LH
35	72110606		BOLT
36	73680600		SUB= 73690600
37	133671		FOOTREST PAD
38	105419X520		STRAP.GRILL
41	106784X		SUB= 155013
42	104618X		SUB= 155013
43	73510400		NUT
44	109808X		HOOD LATCH T
45	74191008		SCREW
46	10071000		LOCKWASHER
47	2029J		WELDNUT
48	123481X		SUB= 7605J
49	73680400		SUB= 73690400
53	137655X520		PANEL.SIDE.RH
54	132637X520		PANEL.SIDE.LH
55	19091216		WASHER PM
56	73220400		SUB= 50675
57	7206J		SPACER LT
58	19070818		WASHER
59	73731000		NUT
60	74981020		SCREW
61	74760614		SUB= 74760616
66	123198X		SUB= 146525
71	124392X417		SUB= 147717
72	106395X		LENS LT
73	17211010		SCREW LT
74	140181		PLATE.SUPT.BATTER
75	104755X		"" J "" FASTENER LT"
76	17490512		SCREW
77	19131210		WASHER
78	132644		SUB= 532132644
80	19091016		WASHER

Ref #	Part Number	Qty	Description
85	74760532		BOLT
86	121236X		SPACER
87	73800500		NUT
91	74780616		BOLT
92	73680600		SUB= 73690600
93	139978		PLATE EXTEN FEND
94	74780616		BOLT
95	19131312		WASHER
96	73680600		SUB= 73690600
97	19171416		WASHER
98	72110608		BOLT D
99	139977		SPACER FENDER LT
100	74760612		SUB= 74780612
101	2751R		CLIP T
102	126471X		"CLIP,INSULATOR"
103	139886		BRACKET ASM LH
104	139887		BRACKET ASM RH
105	72140608		SUB= 72110608
110	110436X		SUB= 9151R
111	142992		STOP.OVER.CENTER
112	72240608		BOLT
113	19131612		WASHER GT



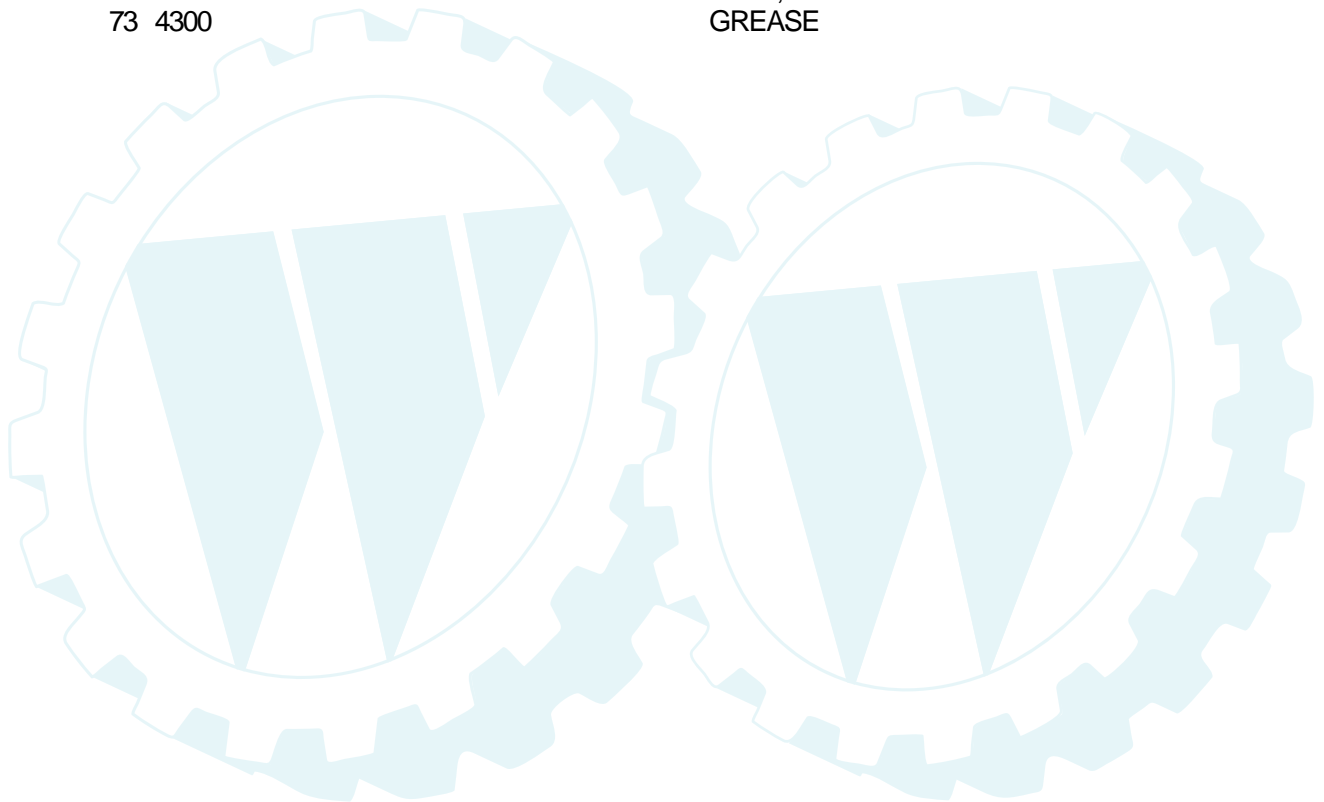
# 18 HP 44" TRACTOR - - MODEL NUMBER 425170

## DANA TRANSAXLE - MODEL NUMBER 4360-81



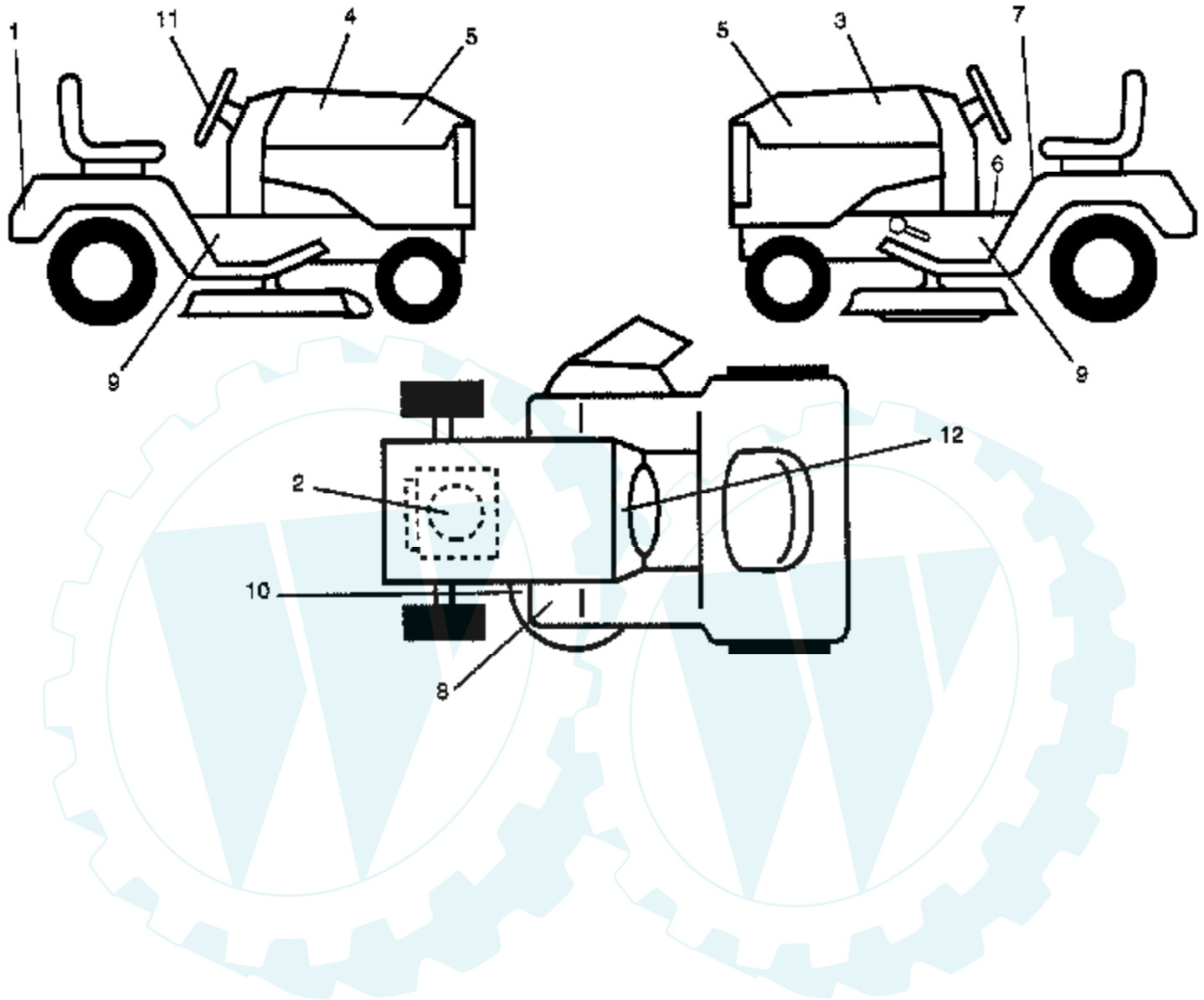
Ref #	Part Number	Qty	Description
1	5305D		HOUSING, UPPER
2	1919		SCREW
3	5112		BALL, DETENT
4	3626		SPRING, DETENT
5	3623		SCREW, SET
6	4604		KIT, SHIFTER ASSEMBLY
7	5024		BOOT, SHIFTER
8	3907		PUCK, FRICTION
9	5131		SCREW TAPPING WITH SEALER
10	1106		RING, RETAINING
11	4689		ASSY, KIT, SHIM .625 SHAFT
12	5406		GEAR, SPUR, 15T
13	3876		WASHER, PLAIN .632 X 1.38 X .046
14	1746		KEY, WOODRUFF, #9
15	4171		ASSY KIT INPUT SHAFT
16	3725		PINION BEVEL 14 TEETH
17	3624		RING, RETAINING
18	3625		CHAIN, 24 PITCHES
19	1542		BEARING, FLANGE
20	5402		GEAR, SPUR, 14 TEETH
21	5303		COLLAR, CLUTCH
22	4759		ASSY, KIT, CLUTCH KEYS
23	5415		BEARING, FLANGE
24	5403		SHAFT, INTERMEDIATE
25	1375		KEY, WOODRUFF, #61
26	3627		RING, RETAINING
27	3830		SPROCKET, 18 TEETH
28	3841		SPACER
29	5365		GEAR, SPUR, 37 TEETH
30	5407		GEAR, SPUR, 35T
31	3867		GEAR, SPUR, 30 TEETH
32	3783		GEAR, SPUR, 25 TEETH
33	3869		GEAR, SPUR, 22 TEETH
34	5202		GEAR, SPUR, 19 TEETH
35	3628		WASHER, PLAIN .640 X 1.37 X .061
36	1423		WASHER, PLAIN .632 X 1.00 X .026
37	3422		SPACER .630 X 1.00 X .169
38	4286		ASSY GEAR COMB 12&35 TEETH
39	3967		SHAFT, IDLER
40	3901		SPACER .635 X .875 X .755
41	3645		SPROCKET, 9 TEETH
42	3589		GEAR, BEVEL, 42 TEETH
43	4691		ASSY, KIT, SHIM .750 SHAFT
44	3882		SHAFT, DRIVE
45	3724		SCREW TAPPING
46	5364		GEAR SPUR, 12 TEETH
47	3866		GEAR, SPUR, 20 TEETH
48	3719		GEAR, SPUR, 25 TEETH
49	3868		GEAR, SPUR, 28 TEETH
50	3683		GEAR, SPUR, 31 TEETH
51	1145		WASHER, PLAIN .632 X 1.00 X .060
52	5130		WASHER, NEOPRENE
53	3184		WASHER, PLAIN .758 X 1.25 X .031
54	3880		AXLE LEFT HAND
55	3871		GEAR MITER 15 TEETH
56	3656		RING, RETAINING
57	3839		GEAR, SPUR, 32 TEETH
58	3919		SHAFT, CROSS

Ref #	Part Number	Qty	Description
59	3726		GEAR, MITER, 15 TEETH
60	3881		AXLE, R.H.
61	5304E		HOUSING, LOWER
62	3920		PUCK, FRICTION
63	3276		DISC, BRAKE
64	3758		SPACER
65	3916		JAW, BRAKE
66	3843		PIN, DOWEL
67	5120		SCREW, SELF-TAPPING
68	5285		LEVER ACTUATING
69	3760		WASHER, PLAIN .321 X 1.00 X .055
70	3917		BRACKET, ANTI-ROTATION
71	3847		LOCKNUT 5/16-24
72	5416		SEAL, OIL
73	4300		GREASE

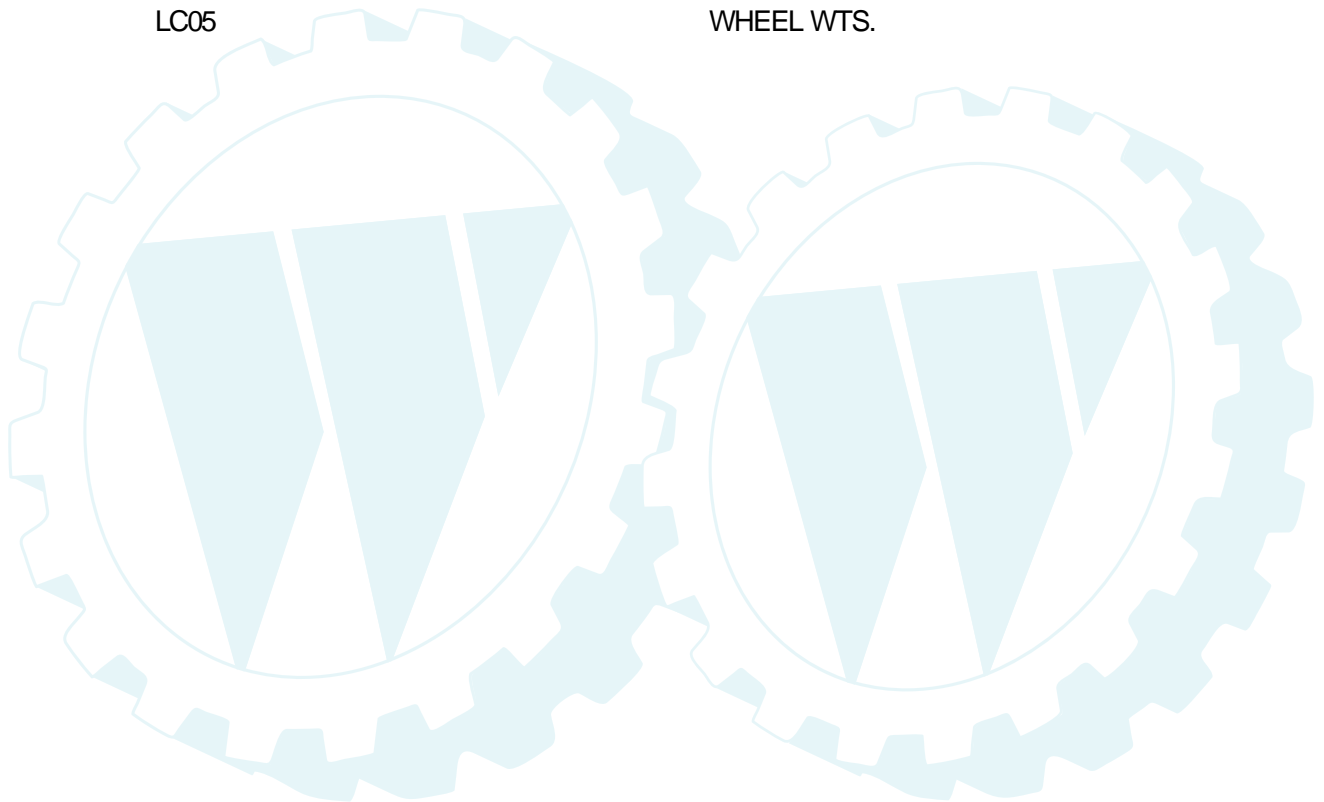


### 18 HP 44" TRACTOR - - MODEL NUMBER 425170

#### DECALS



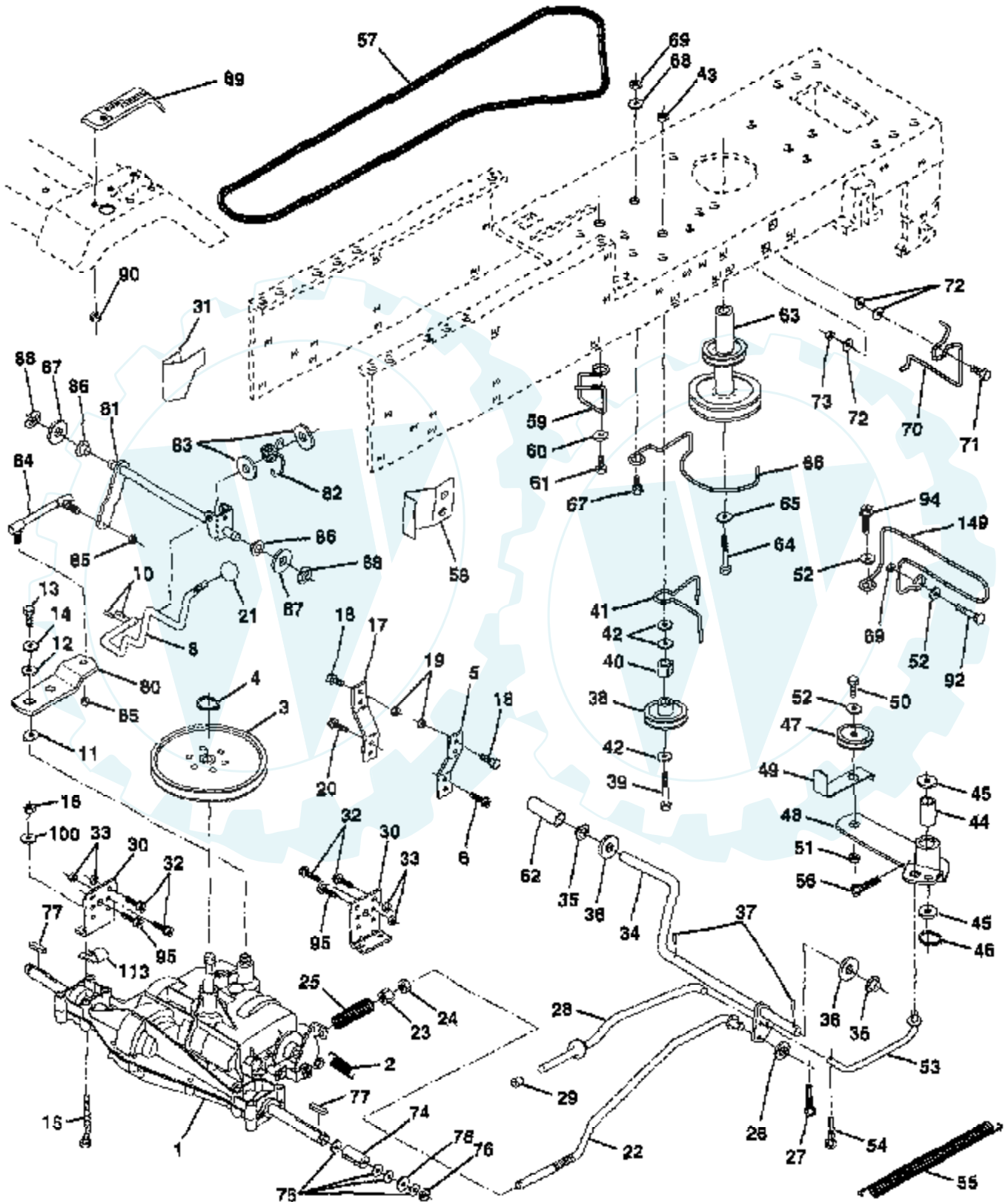
Ref #	Part Number	Qty	Description
1	138984		DECAL.FENDER
2	135426		DECAL.ENG.272559
3	143348		DECAL.HD.LOWES.LH
4	143347		DECAL.HD.LOWES.RH
5	135020		NLA
6	140837		DECAL BRAK PARK
7	133796		DECAL
8	4900J		DECAL T
9	139016		DECAL.CHASSIS
10	139346		"DECAL.V.BELT.44""
11	138990		DECAL.WHL.STRG
12	138955		DECAL.DASH.INST.
	138311		DECAL HANDLE LIFT
	143418		MANUAL.O.425170.E
	LC05		WHEEL WTS.





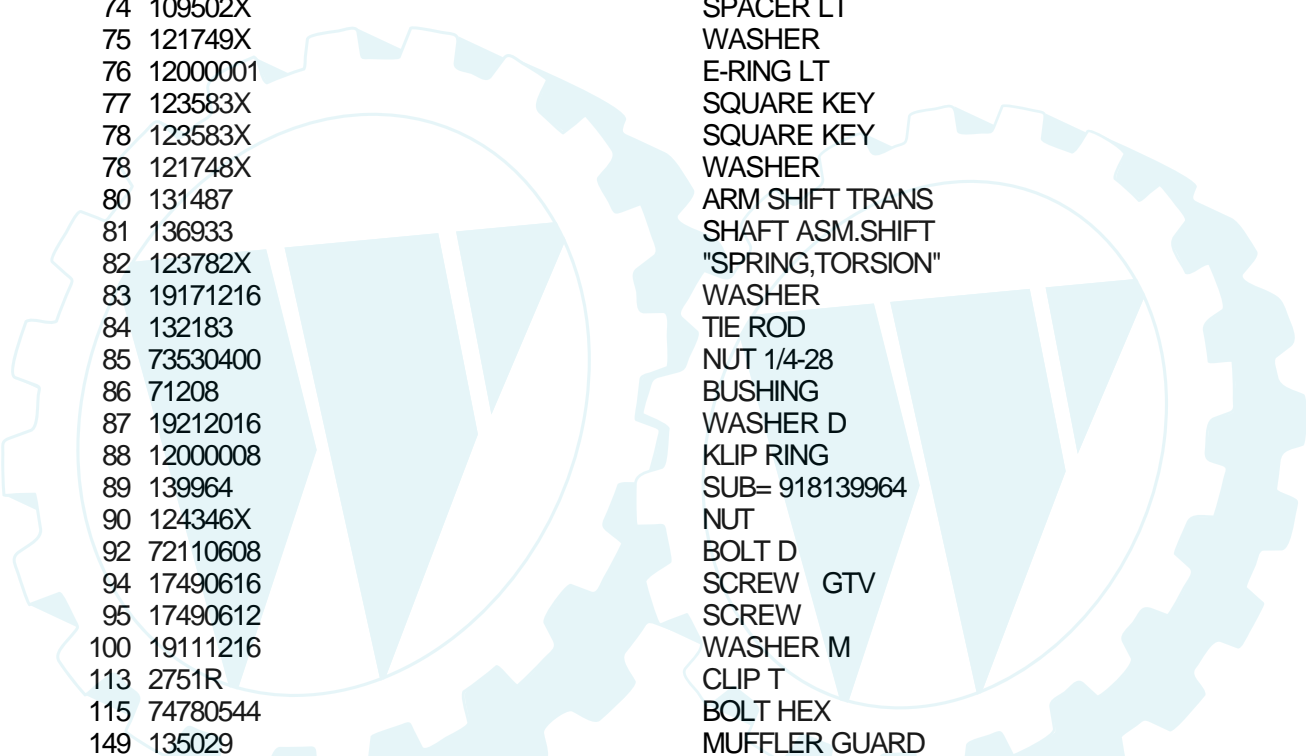
# 18 HP 44" TRACTOR - - MODEL NUMBER 425170

## DRIVE





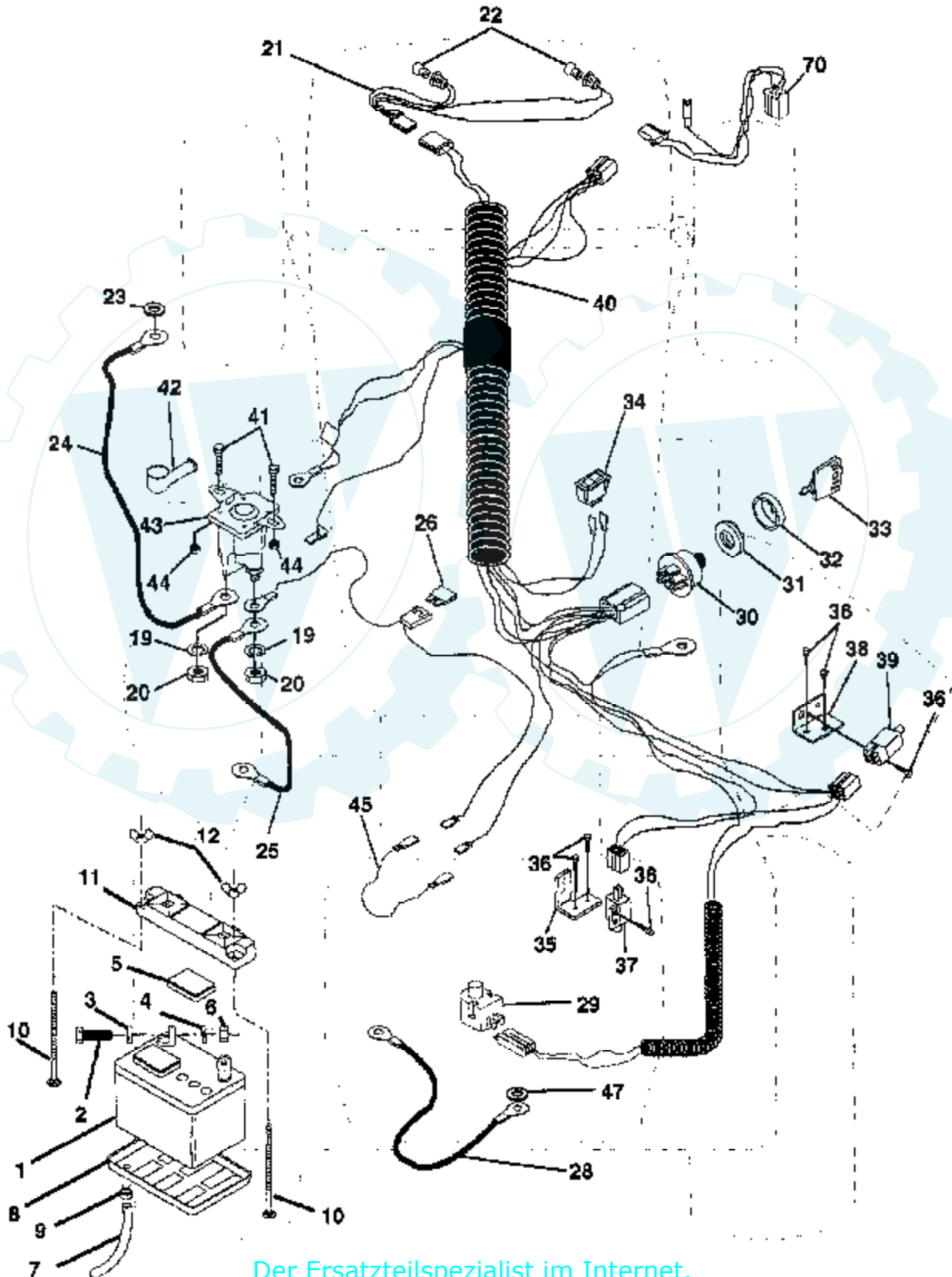
Ref #	Part Number	Qty	Description
1	142607		SUB= 145605
2	110422X		SUB= 146682
3	123666X		PULLEY TRANS
4	12000028		SUB= 2267J
5	121520X		STRAP TORQUE
6	17490512		SCREW
8	141003		ROD SHIFT FEND LT
10	76020416		PIN COTTER 1/8
11	105701X		WASH-SHFT PLT LT
12	19151216		WASHER
13	71040412		SUB= 74550412
14	10040400		LOCKWASHER
16	73800500		NUT
17	121520X		STRAP TORQUE
18	74780616		BOLT
19	73800600		NUT
20	17490512		SCREW
21	106933X		KNOB T (1/2-HOLE)
22	130804		BRAKE ROD
23	73800600		NUT
24	73350600		NUT
25	106888X		SPRING ROD LT
26	19131316		WASHER
27	76020412		COTTER PIN
28	133261		BRAKE PARK ROD
29	71673		PLUNGER CAP T
30	130807		TRANSAXLE MTG BKT
31	130807		TRANSAXLE MTG BKT
31	127275X		"KEEPER,BELT LH T"
32	74760512		BOLT
33	73800500		NUT
34	122424X		SUB= 149001
35	120183X		NYLON BEARING
36	19211616		WASHER LT
37	1572H		SUB= 2882J
38	123674X		PULLEY.IDLER.FLAT
39	74760644		BOLT
40	4470J		SPACER T
41	109070X		BELT KEEPER LT
42	19131312		WASHER
43	73800600		NUT
44	105706X		"LY, BEARING"
45	110812X		WASHER LT
46	12000039		KLIP RING
47	127783		SUB= 139245
48	123789X		ARM IDLER
49	123205X		RETAIN BELT
50	74760624		SUB= 74930624
51	73680600		SUB= 73690600
52	19131616		WASHER HYT
53	105710X		"LINK, CLUTCH T"
54	76020412		COTTER PIN
55	105709X		"SPRING, RETURN LT"
56	76020412		COTTER PIN
57	130801		SUB= 138255
58	127274X		"KEEPER,BELT RH T"
59	140312		KEEPER,BELT CNTSP
60	19131312		WASHER



Ref #	Part Number	Qty	Description
61	17490612		SCREW
62	8883R		PEDAL COVER T
63	140186		PULLEY.ENGINE
64	71170764		BOLT
65	10040700		LOCKWASHER
66	129921		KEEPER.BELT.ENG.L
67	74760616		BOLT
68	19131312		WASHER
69	73680600		SUB= 73690600
70	134683		KEEPER BELT ENG
71	74760616		BOLT
72	19132012		WASHER
73	73680600		SUB= 73690600
74	109502X		SPACER LT
75	121749X		WASHER
76	12000001		E-RING LT
77	123583X		SQUARE KEY
78	123583X		SQUARE KEY
78	121748X		WASHER
80	131487		ARM SHIFT TRANS
81	136933		SHAFT ASM.SHIFT
82	123782X		"SPRING,TORSION"
83	19171216		WASHER
84	132183		TIE ROD
85	73530400		NUT 1/4-28
86	71208		BUSHING
87	19212016		WASHER D
88	12000008		KLIP RING
89	139964		SUB= 918139964
90	124346X		NUT
92	72110608		BOLT D
94	17490616		SCREW GTV
95	17490612		SCREW
100	19111216		WASHER M
113	2751R		CLIP T
115	74780544		BOLT HEX
149	135029		MUFFLER GUARD

# 18 HP 44" TRACTOR - - MODEL NUMBER 425170

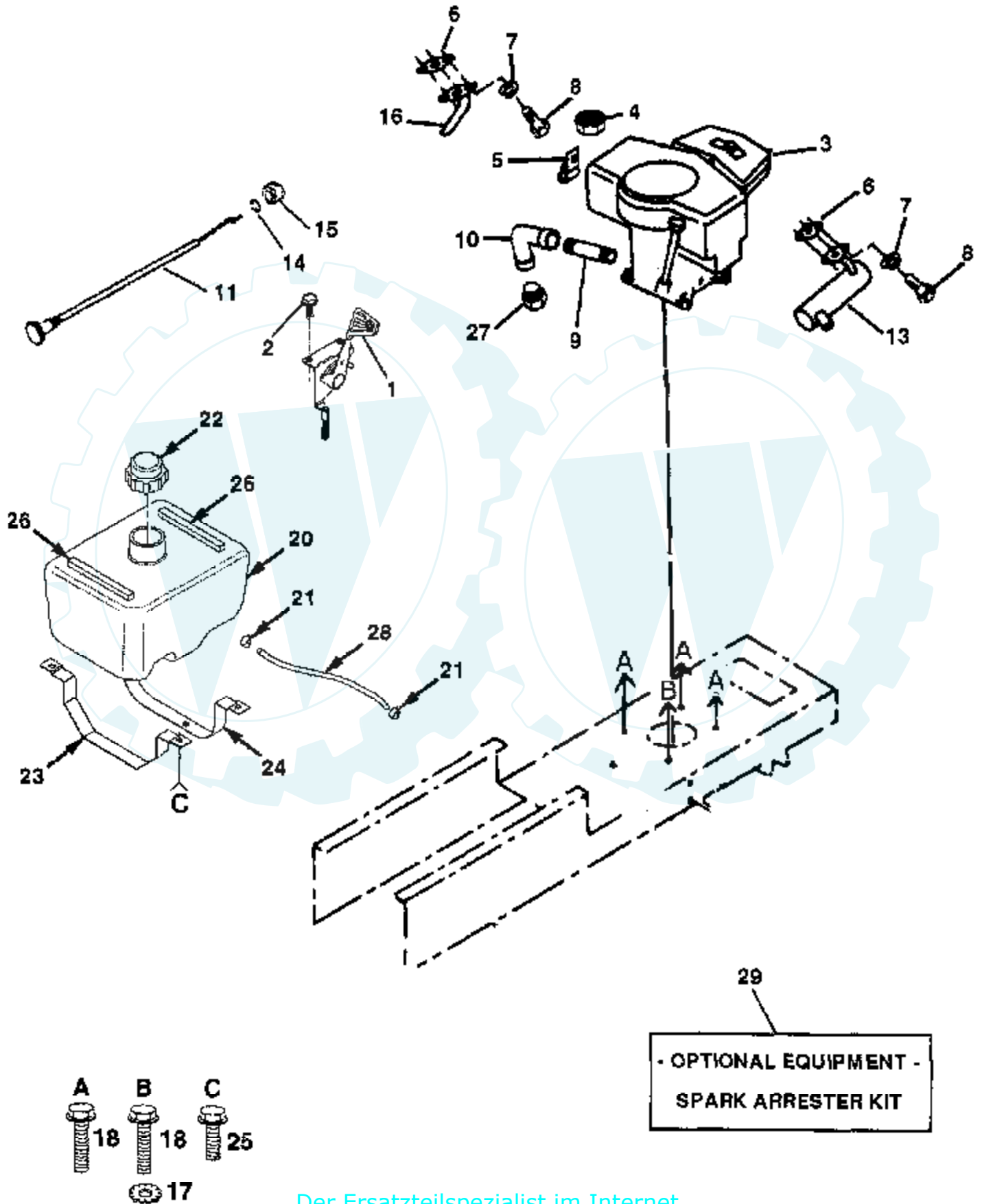
## ELECTRICAL



Ref #	Part Number	Qty	Description
1	121265X		SUB= 123899X
2	74760412		BOLT LT
3	19091016		WASHER
4	10040400		LOCKWASHER
5	121264X		"CAP,BATTERY "
6	73220400		SUB= 50675
7	7697J		"DRAIN TU T, BATT"
8	7603J		"TRAY T, BATTERY"
9	109596X		HOSE CLAMP T
10	72240460		BOLT
11	102476X		SUB= 150109
12	123198X		SUB= 146525
19	10090400		SUB= 10040400
20	73350400		NUT
21	136850		"HARNES,LIGHT SOC"
22	4152J		HEADLAMP BULB
23	11150400		LOCKWASHER
24	4799J		"CABLE T, BATTERY"
25	4206J		CABLE-BATTERY T
26	108824X		FUSE HYT
28	4207J		CABLE T
29	121305X		SWITCH SEAT
30	140399		SUB= 163088
31	140400		SUB= 145774
32	141226		COVER KEY SWITCH
33	140401		KEY MLD GEN DELTA
34	110712X		SWITCH LT
35	108236X		BRACKET LT
36	17021008		SCREW
37	104445X		SWITCH-INTER. GT
38	140336		BRACKET SWITCH IN
39	109553X		SWITCH INTERLOCKT
40	140419		HARNES.IGN.DASH
41	71110408		BOLT HXHD FIN
42	131563		SUB= 154336
43	138406		SUB= 146154
44	73640400		NUT HXKEP 1/4X20
45	140844		ADAPTER AMMETER
47	11050600		LOCKWASHER
70	140413		HARNES ENG DUAL

# 18 HP 44" TRACTOR - - MODEL NUMBER 425170

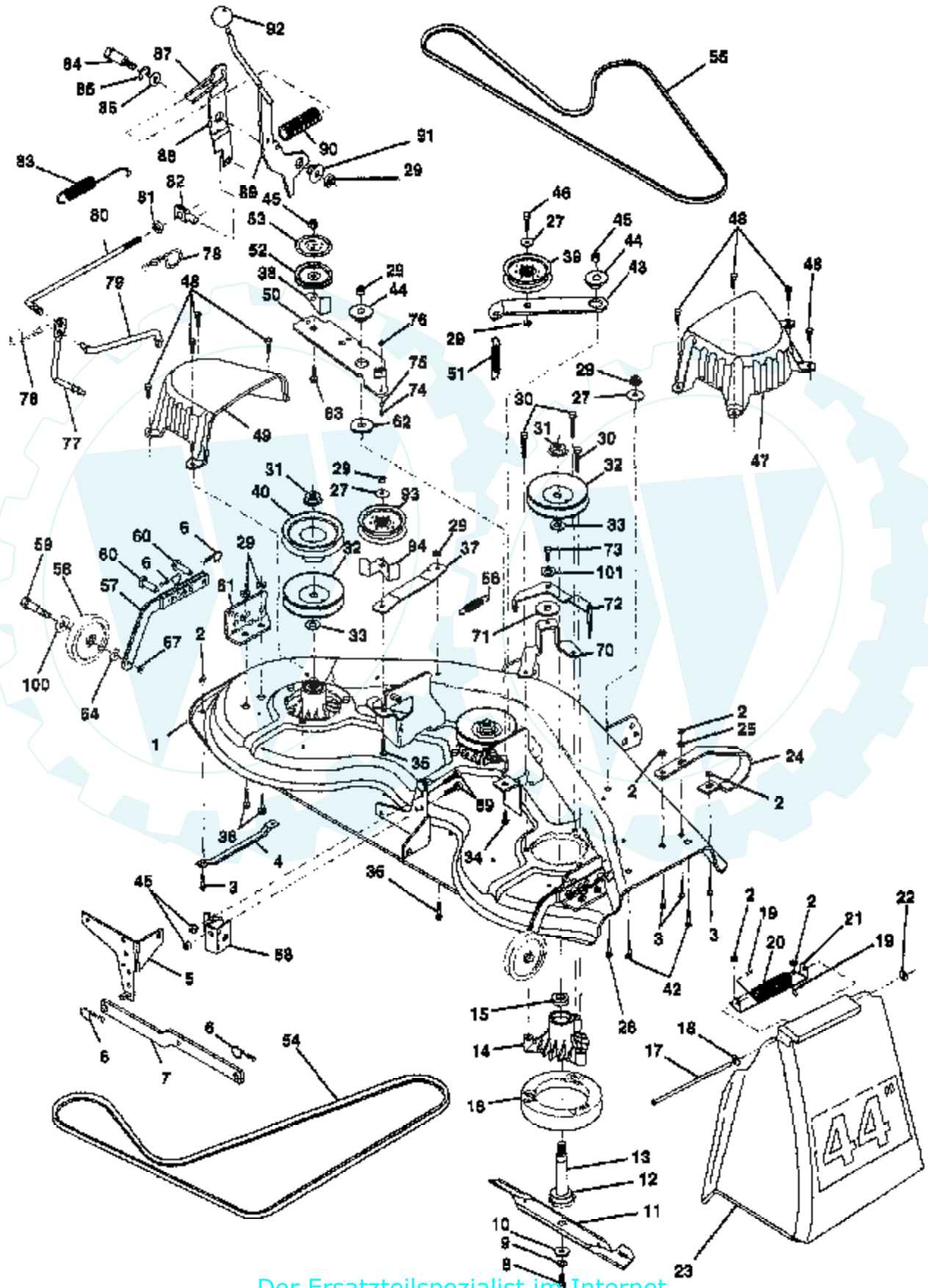
## ENGINE



Ref #	Part Number	Qty	Description
1	132747		SUB= 532132748
2	17720410		SCREW LT
3	422707		ENGINE B&S 18HP
4	73510600		NUT
5	2751R		CLIP T
6	8545J		SUB= 272250
7	10040400		LOCKWASHER
8	74780412		SUB= 74780414
9	13280336		PIPE NIPPLE LT
10	13200300		ELBOW
11	132781		CHOKE CONTROL
13	108373X		MUFFLER HYT
14	11050600		LOCKWASHER
15	73610600		SUB= 7810H
16	100229L		EXHAUST TUBE T
17	11050600		LOCKWASHER
18	17490624		SCREW LT
20	141291		TANK FUEL 1.9 NAT
21	123487X		HOSE CLAMP
22	140527		CAP ASM FUEL
23	140020		STRAP TANK FUEL
24	140019		STRAP TANK FRONT
25	17490612		SCREW
26	126564X		"STRIP,FORM"
27			CHECK WITH SUPPLIER
28	7833R		HOSE T
29	137180		SUB= 532137180

### 18 HP 44" TRACTOR - - MODEL NUMBER 425170

### MOWER DECK



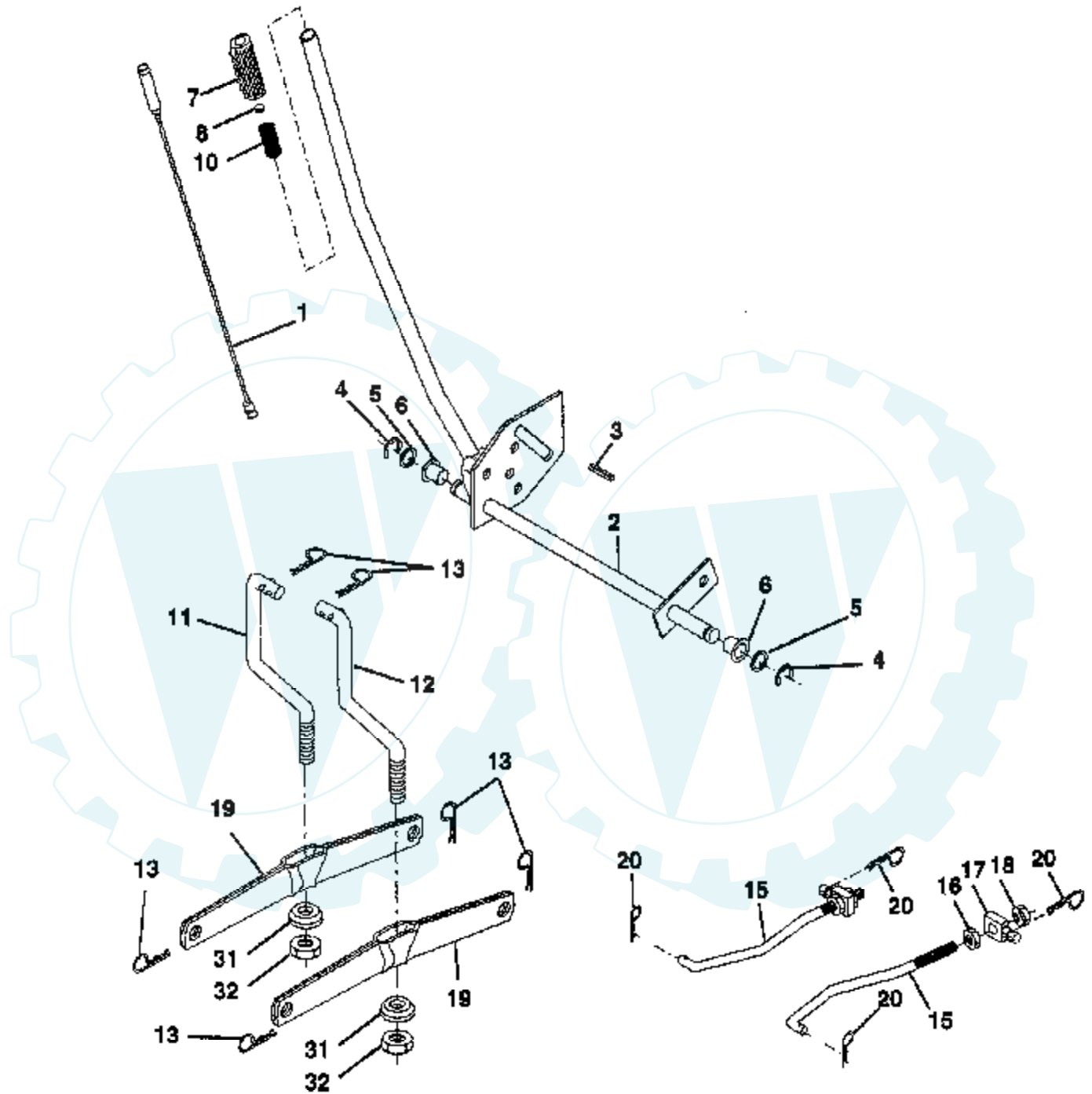


Ref #	Part Number	Qty	Description
1	140579		"DECK ASM WELD44""
2	73800500		NUT
3	72110506		SUB= 72270506
4	7631J		RUNNER-LH M
5	138457		BRKT.ASM.SW.44/50
6	4939M		SUB= 85902
7	130832		SUB= 130833
8	850857		BLADE BOLT
9	10030600		SUB= 10040600
10	140296		WASHER.HARD.BLADE
11	130652		"BLADE.44"" HIPERF"
12	129895		BEARING.BALL
13	137553		SHAFT.ASM.W/BRNG
14	137152		HOUSING.MAND.44.V
15	110485X		BEARING
16	136929		SUB= 140329
17	106735X		ROD-HINGE T
18	19111016		WASHER
19	105304X		CAP-SLEEVE LT
20	123713X		SPRING TORSION
21	137607		BRKT DEFLECTOR
22	110452X		NUT PUSH M
23	109785X		DEFLECTOR SHIELD
24	136321		RUNNER.RH
25	19111216		WASHER M
26	72110614		BOLT
27	19131316		WASHER
28	132823		SUB= 532132823
29	73800600		NUT
30	138776		SUB= 157722
31	137266		SUB= 139729
32	129861		SUB= 153535
33	129963		WASHER
34	72140610		BOLT.3/8-14X1.25
35	72110616		BOLT
36	72110608		BOLT D
37	137166		STIFFENER.ARM.IDL
38	140365		KEEPER BELT IDLER
39	131494		FLAT IDLER PULLEY
40	136572		"PULLEY.DRIVEN.44""
42	72140506		BOLT
43	136460		"ARM.IDLER.SEC.44""
44	122052X		SPACER RETAINER
45	73680600		SUB= 73690600
46	74760628		BOLT
47	137200		"COVER.MAND.RH.44""
48	137729		SCREW.1/4-20X5/8
49	136574		COVER.MANDREL.LH
50	137272		ARM.IDLER.PRIMARY
51	137273		"SPRING.SEC.44""VEN"
52	139245		PULLEY.IDLER.VGRO
53	137789		SHIELD.IDLER.44.V
54	142686		BELT-V MOWER PRIM
55	131290		BELT-V.88.12.MW
56	126910X		"SPRING,EXTENTION"
57	136577		BAR.ASM.GUAGE.WHL
58	105455X		WHEEL.GAGE BLK.PL
59	4898H		BOLT M

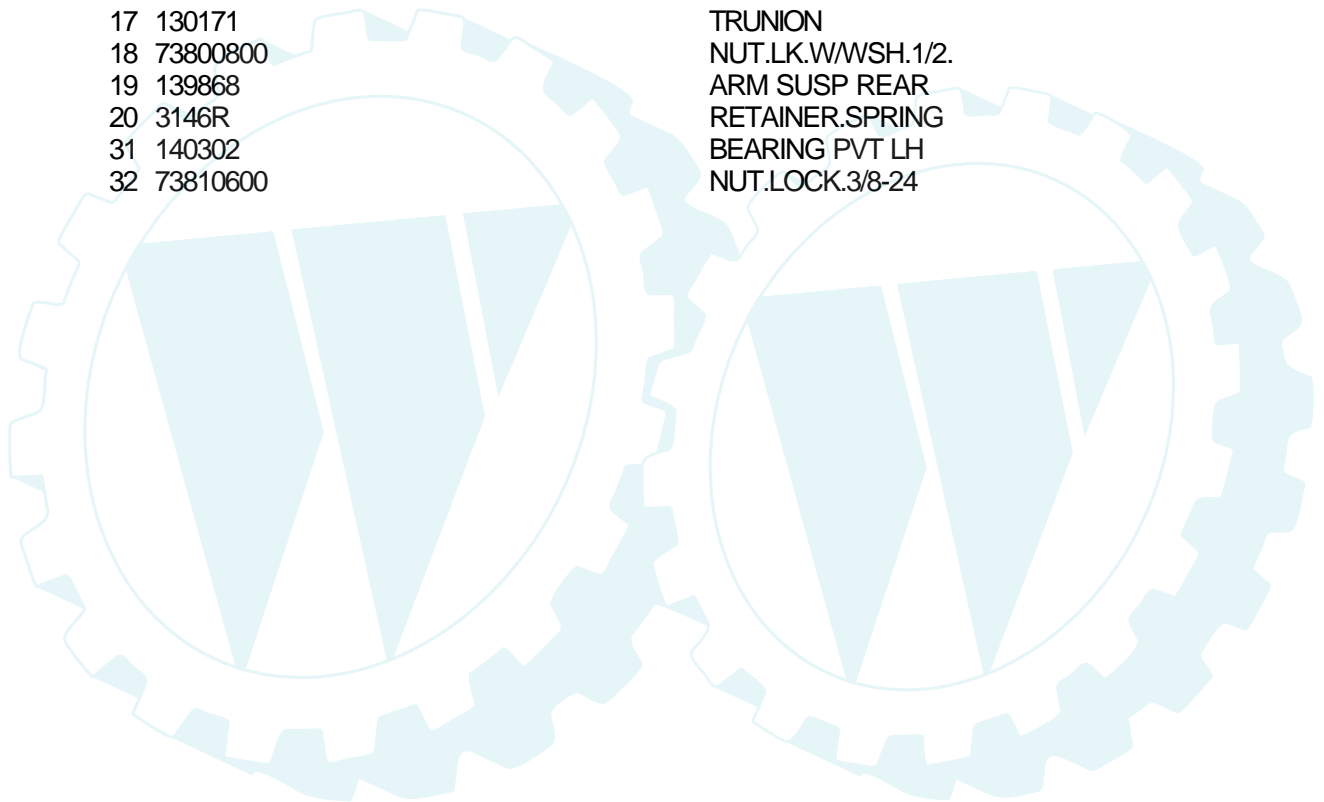
Ref #	Part Number	Qty	Description
60	139031		PIN.CLEVIS
61	136573		BRACKET.GUAGE.WHL
62	133943		HARDENED WASHER
63	72110612		BOLT.3/8-16X1.50
64	19121414		WASHER
67	73800600		NUT
68	140364		BRACKET PVT MCH
69	74760612		SUB= 74780612
70	140361		"BRACKET SUPT 44""
71	133944		HARD SMALL WASHER
72	140367		ARM BRAKE ASM
73	139888		BOLT.SHLD.5/16-18
74	133940		SUB= 151785
75	131340		SHOULDER BOLT
76	69180		LOCKNUT
77	133551		PIVOT ROD
78	4497H		RETAINER M
79	140363		ROD CLUTCH SECON
80	143354		ROD.CLUTCH.PRIM44
81	73350600		NUT
82	142028		TRUNION ADJ
83	131870		RETURN SPRING
84	128903		SHOULDER BOLT
85	12000029		RING
86	121748X		WASHER
87	127845		SPRING KEEPER
88	127847		CLUTCH ARM SECOND
89	140335		LEVER.CLU.PRIM.
90	128759		SUB= 918128759
91	127498		BUSHING
92	132044		SUB= 532132044
93	102403X		IDLER-FLAT T
94	139622		SUB= 918139622
100	19171512		WASHER
101	133944		HARD SMALL WASHER
	143419		DECK MOWER COMP
	143651		MANDREL SERV ASM

# 18 HP 44" TRACTOR - - MODEL NUMBER 425170

## MOWER LIFT

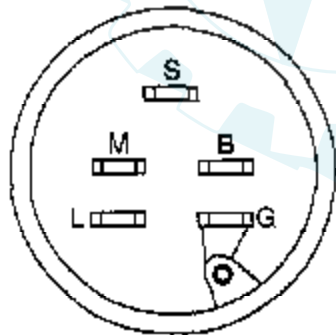
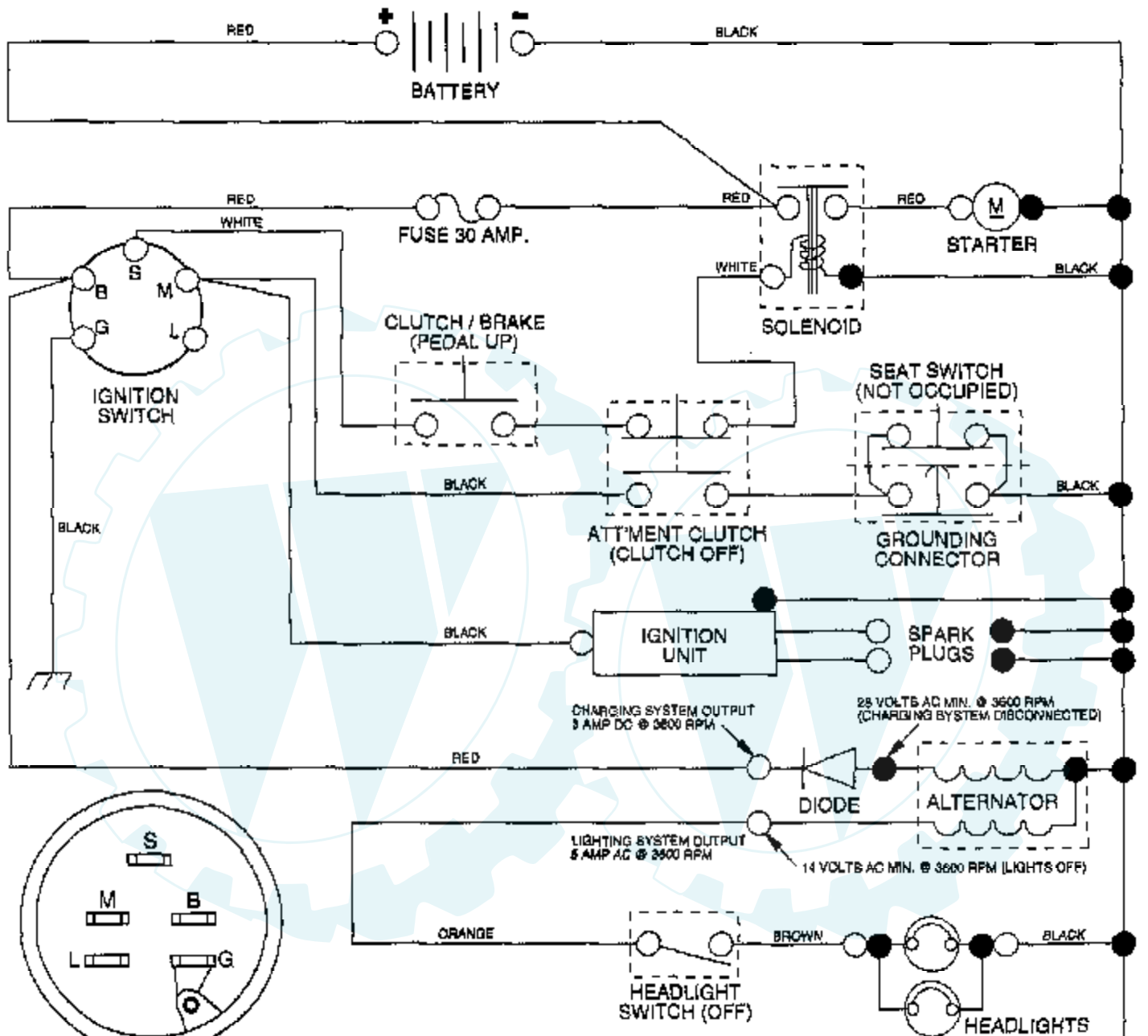


Ref #	Part Number	Qty	Description
1	136973		WIRE ASM
2	137111		SHAFT.ASM.LIFT LH
3	138284		PIN GROOVE
4	12000002		SUB= 2225J
5	19211416		WASHER
6	120183X		NYLON BEARING
7	109413X		GRIP
8	124526X		SUB= 125925X
10	122512X		SUB= 532122512
11	139865		SUB= 918139865
12	139866		SUB= 151140
13	4939M		SUB= 85902
15	127218		LINK.FRONT
16	73350800		NUT
17	130171		TRUNION
18	73800800		NUT.LK.W/WSH.1/2.
19	139868		ARM SUSP REAR
20	3146R		RETAINER.SPRING
31	140302		BEARING PVT LH
32	73810600		NUT.LOCK.3/8-24



# 18 HP 44" TRACTOR - - MODEL NUMBER 425170

## SCHEMATIC



**IGNITION SWITCH**

POSITION	CIRCUIT
OFF	M + G
ON	B + L
START	S + S + L

**WIRING INSULATED CLIPS**

**NOTE:** IF WIRING INSULATED CLIPS WERE REMOVED FOR SERVICING OF UNIT, THEY SHOULD BE REPLACED TO PROPERLY SECURE YOUR WIRING

**NOTE**

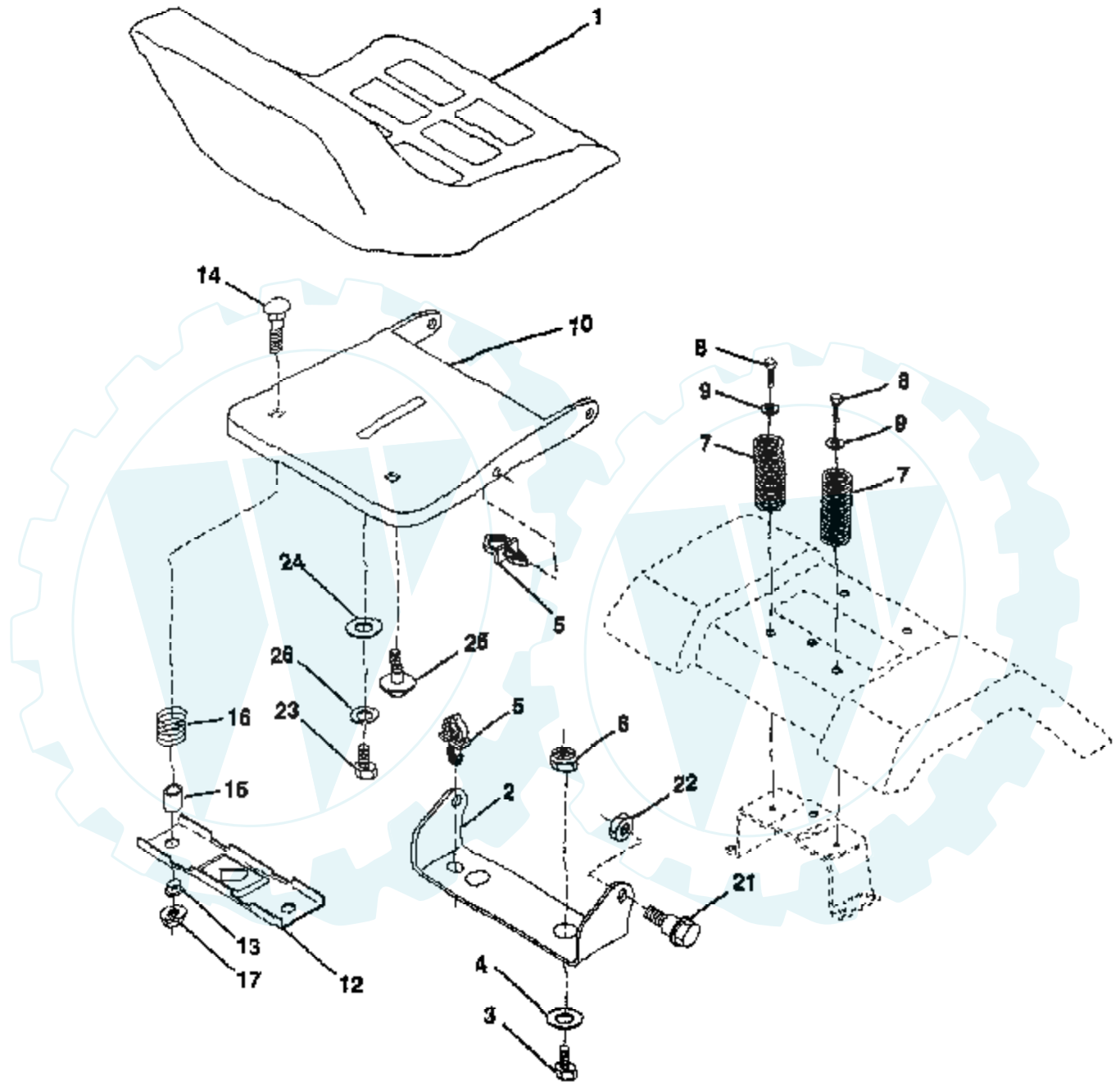
YOUR TRACTOR IS EQUIPPED WITH A SPECIAL ALTERNATOR SYSTEM. THE LIGHTS ARE NOT CONNECTED TO THE BATTERY, BUT HAVE THEIR OWN ELECTRICAL SOURCE. BECAUSE OF THIS, THE BRIGHTNESS OF THE LIGHTS WILL CHANGE WITH ENGINE SPEED. AT IDLE THE LIGHTS WILL DIM. AS THE ENGINE IS SPEEDED UP, THE LIGHTS WILL BECOME THEIR BRIGHTEST.

● NON-REMOVABLE CONNECTIONS

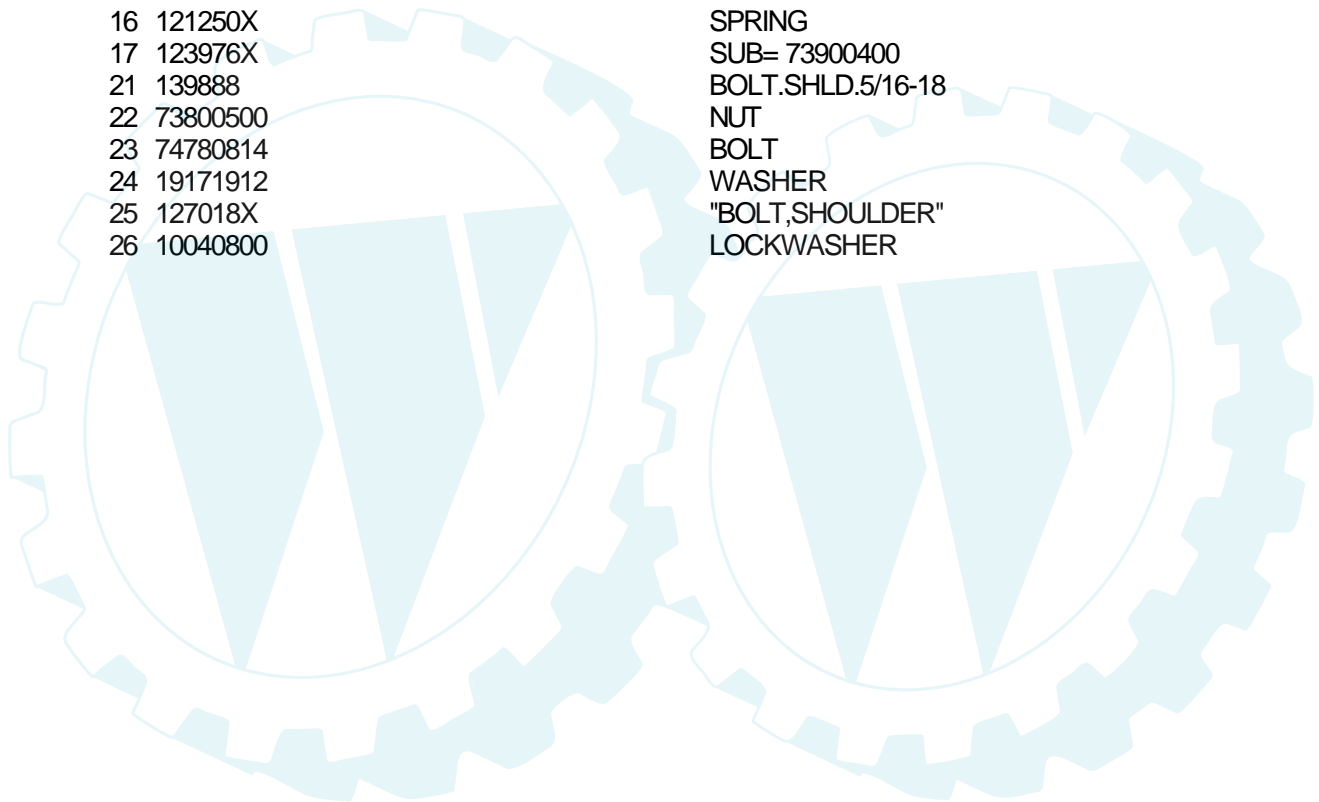
○ REMOVABLE CONNECTIONS

# 18 HP 44" TRACTOR - - MODEL NUMBER 425170

## SEAT ASSEMBLY

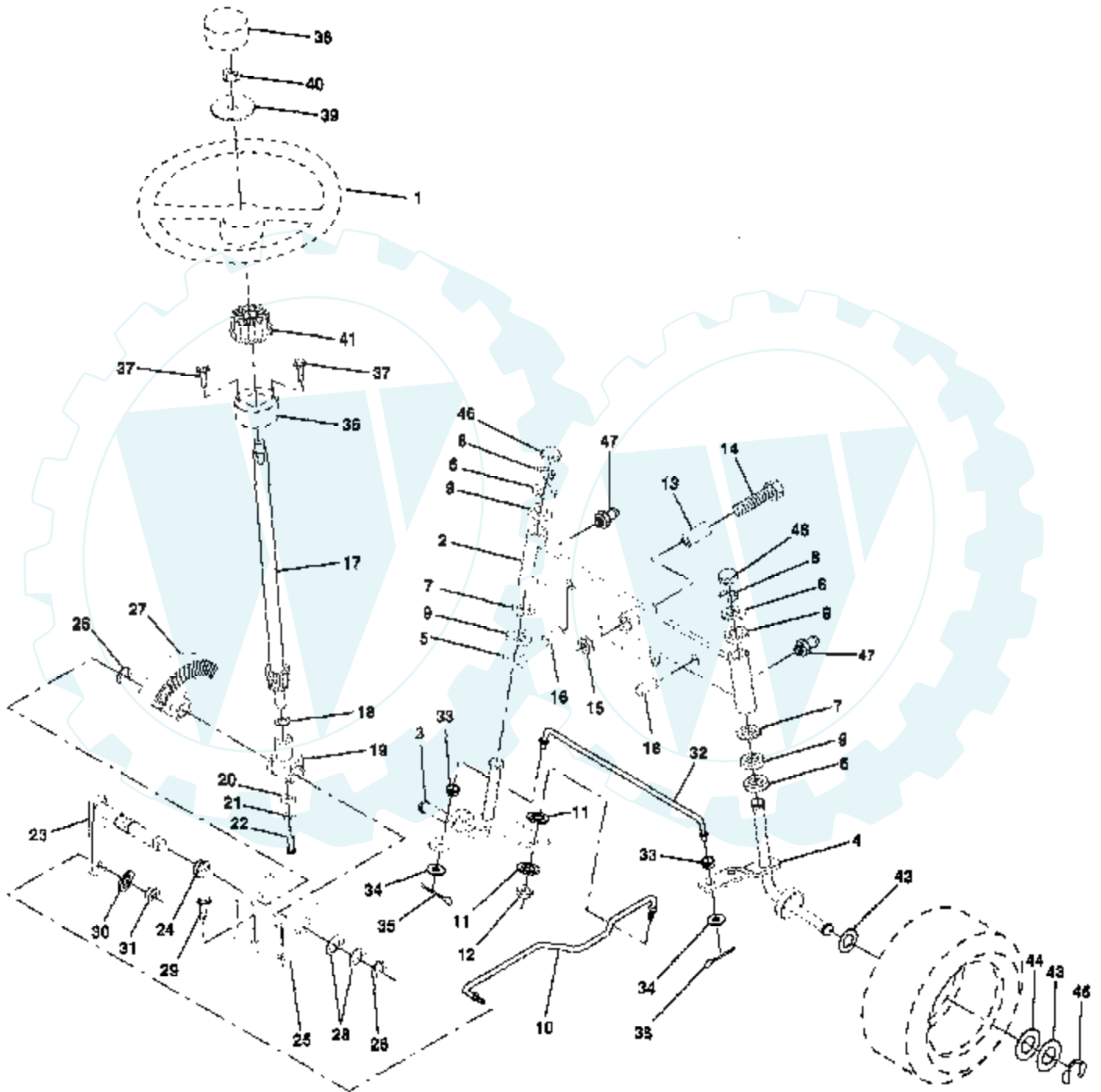


Ref #	Part Number	Qty	Description
1	127428		SUB= 140119
2	140551		BRACKET PVT SEAT
3	74760616		BOLT
4	19131610		WASHER PM
5	140407		CLIP PUSH - IN
6	73800600		NUT
7	124181X		SPRING COMPRESSIO
8	17490616		SCREW GTV
9	19131614		WASHER
10	140552		SUB= 155925
12	121246X		BRKT SWITCH
13	121248X		BUSHING
14	72050411		SUB= 872050411
15	134300		SPLIT SPACER
16	121250X		SPRING
17	123976X		SUB= 73900400
21	139888		BOLT.SHLD.5/16-18
22	73800500		NUT
23	74780814		BOLT
24	19171912		WASHER
25	127018X		"BOLT,SHOULDER"
26	10040800		LOCKWASHER

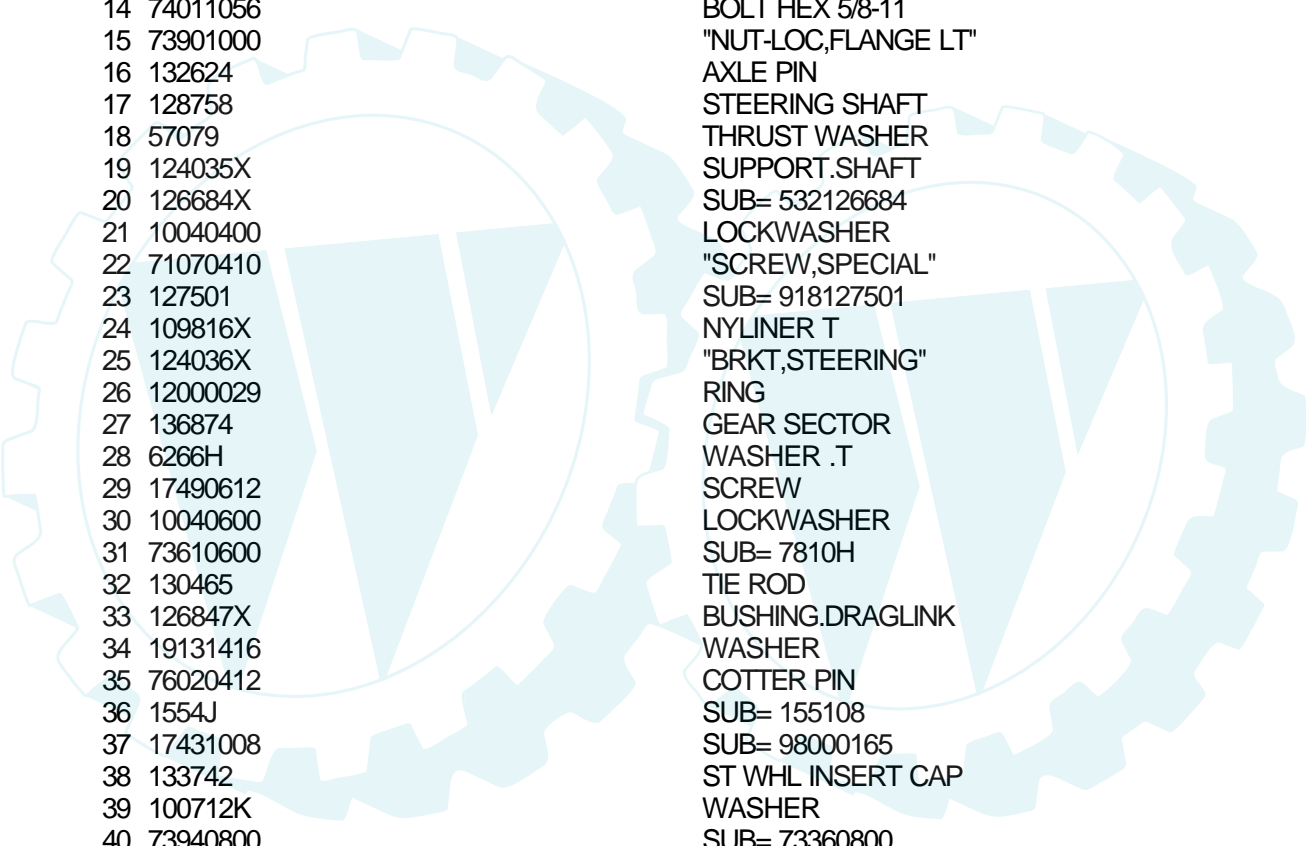


# 18 HP 44" TRACTOR - - MODEL NUMBER 425170

## STEERING ASSEMBLY

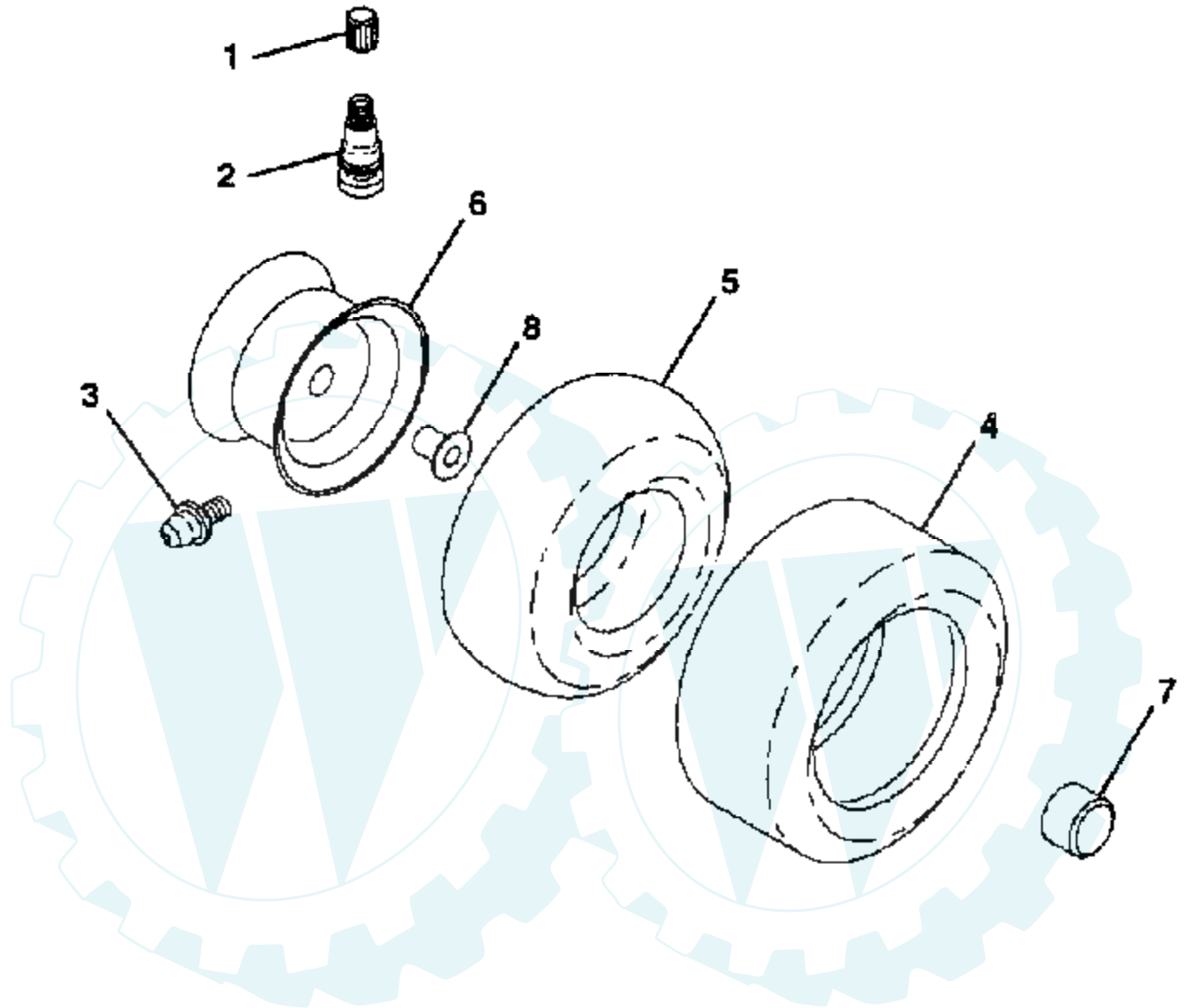






Ref #	Part Number	Qty	Description
1	133741		SUB= 150547
2	142033		AXLE ASM FRONT
3	135227		SPINDLE LH
4	135228		SPINDLE RH
5	6266H		WASHER .T
6	121748X		WASHER
7	19272016		WASHER
8	12000029		RING
9	3366R		COL. SRTG. BEAR.
10	130468		SUB= 532130468
11	10040600		LOCKWASHER
12	73610600		SUB= 7810H
13	110438X		BEARING
14	74011056		BOLT HEX 5/8-11
15	73901000		"NUT-LOC,FLANGE LT"
16	132624		AXLE PIN
17	128758		STEERING SHAFT
18	57079		THRUST WASHER
19	124035X		SUPPORT.SHAFT
20	126684X		SUB= 532126684
21	10040400		LOCKWASHER
22	71070410		"SCREW,SPECIAL"
23	127501		SUB= 918127501
24	109816X		NYLINER T
25	124036X		"BRKT,STEERING"
26	12000029		RING
27	136874		GEAR SECTOR
28	6266H		WASHER .T
29	17490612		SCREW
30	10040600		LOCKWASHER
31	73610600		SUB= 7810H
32	130465		TIE ROD
33	126847X		BUSHING.DRAGLINK
34	19131416		WASHER
35	76020412		COTTER PIN
36	1554J		SUB= 155108
37	17431008		SUB= 98000165
38	133742		ST WHL INSERT CAP
39	100712K		WASHER
40	73940800		SUB= 73360800
41	100711L		ADAPTER LT
43	121749X		WASHER
44	121748X		WASHER
45	12000029		RING
46	121232X		CAP
47	6855M		ZERK M

# WHEELS & TIRES



Ref #	Part Number	Qty	Description
1	59192		VALVE CAP
2	65139		VALVE STEM LT
3	278H		FITTING LT
4	106222X		SUB= 122073X
5	138468		TIRE.20X8-8
5	59904		TUBE.5.3/4.5/6
5	7152J		TUBE.18X9.5-8
6	106732X417		"RIM,FRT T"
6	106108X417		"RIM 8""
7	104757X		HUB CAP
8	9040H		"FLANGE, BEARING"

