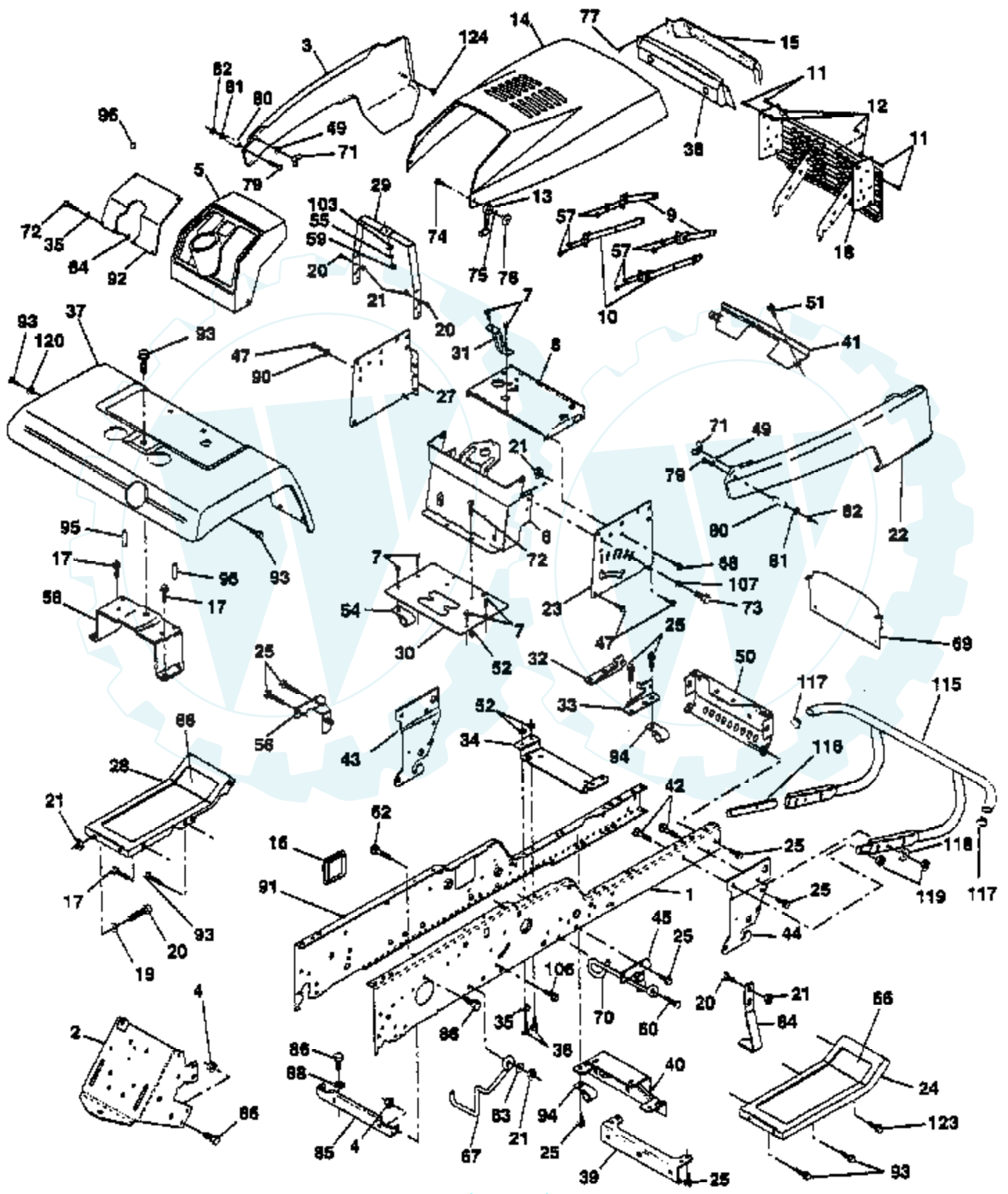


TRACTOR -- MODEL NUMBER 4200V-54

CHASSIS AND ENCLOSURES

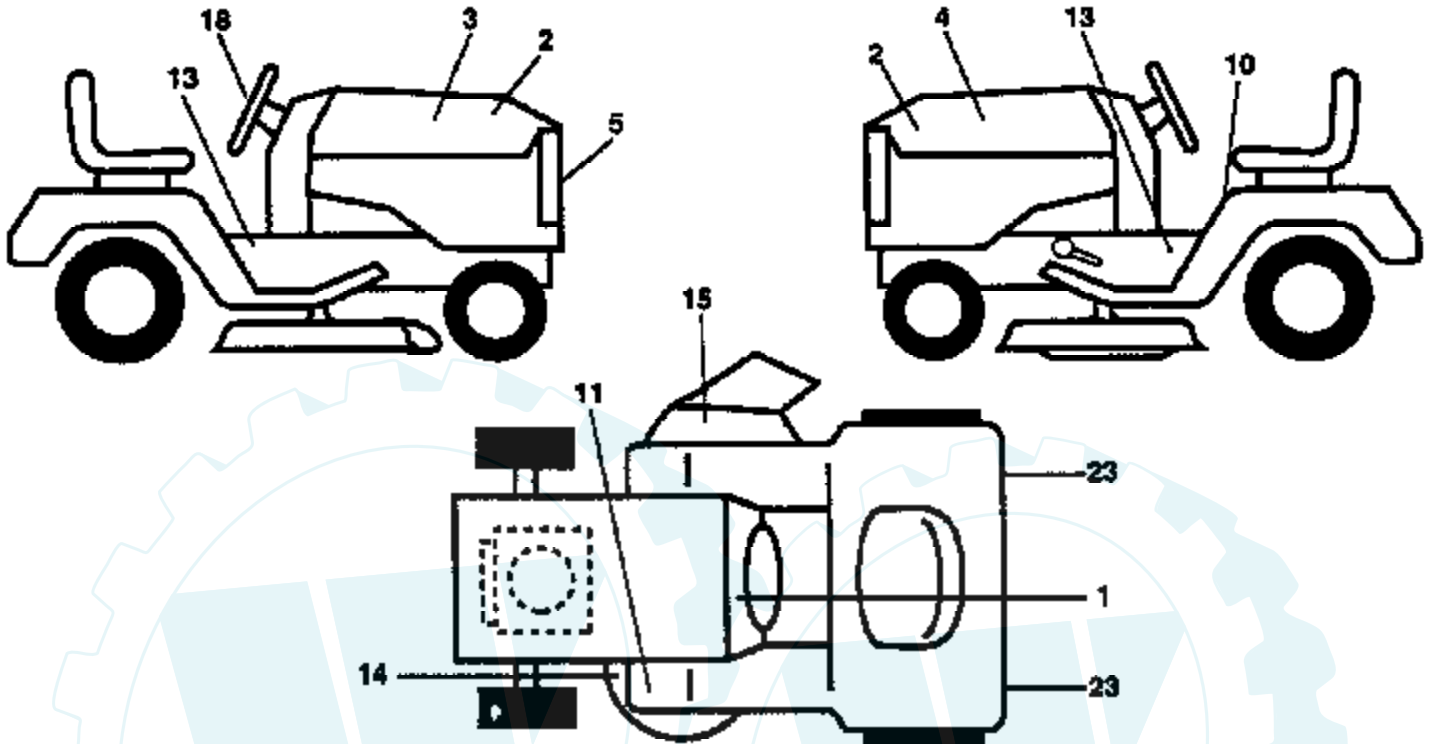


| Ref # | Part Number | Qty | Description |
|-------|-------------|-----|-------------------|
| 1 | 144737 | | SUB= 150383 |
| 2 | 140506 | | DRAWBAR GT |
| 3 | 140678X424 | | PANEL SIDE LH |
| 4 | 73800700 | | NUT.7/16 |
| 5 | 140398 | | DASHBOARD BLACK |
| 6 | 140638 | | DASH ASM LOWER |
| 7 | 17720408 | | SCREW |
| 8 | 140229 | | SUPPORT BATRY VGT |
| 9 | 104618X | | SUB= 155013 |
| 10 | 106784X | | SUB= 155013 |
| 11 | 123481X | | SUB= 7605J |
| 12 | 73800400 | | NUT |
| 13 | 109808X | | HOOD LATCH T |
| 14 | 132635X424 | | SUB= 150301X424 |
| 15 | 146459 | | LENS.BAR.CLEAR |
| 16 | 121794X | | COVER ACCESS |
| 17 | 17490612 | | SCREW |
| 18 | 140037 | | SUB= 140037X431 |
| 19 | 19131312 | | WASHER |
| 20 | 74760616 | | BOLT |
| 21 | 73680600 | | SUB= 73690600 |
| 22 | 140679X424 | | PANEL SIDE RH |
| 23 | 121045X | | SUB= 532121045 |
| 24 | 105464X424 | | SUB= 145243X424 |
| 25 | 17490612 | | SCREW |
| 27 | 121046X | | SUB= 532121046 |
| 28 | 105465X424 | | SUB= 145244X424 |
| 29 | 145205 | | DASH.SUPT.YP/HUSQ |
| 30 | 137143X014 | | SADDLE SILKSCRN |
| 31 | 137556 | | BRACE.SUPT.STRG |
| 32 | 141315 | | BRACKET ASM FRAME |
| 33 | 141314 | | BRACKET ASM FRAME |
| 34 | 142131 | | BRACKET.ENG.SUPT. |
| 35 | 19111116 | | WASHER |
| 36 | 74780512 | | BOLT |
| 37 | 121642X424 | | FENDER |
| 38 | 124392X417 | | SUB= 147717 |
| 39 | 136961 | | BRACKET.AXLE.FRT. |
| 40 | 142132 | | SUB= 156111 |
| 41 | 144916X424 | | STRAP.GRILLE.424 |
| 42 | 72140608 | | SUB= 72110608 |
| 43 | 136939 | | BRACKET.SUS.FT.LH |
| 44 | 136940 | | BRACKET.SUS.FT.RH |
| 45 | 138460 | | SUB= 155887 |
| 47 | 17490608 | | SCREW LT |
| 49 | 19131210 | | WASHER |
| 50 | 136575 | | BRACKET.CHASSIS. |
| 51 | 17580408 | | SCREW CRT |
| 52 | 73680600 | | SUB= 73690600 |
| 54 | 126470X | | "CLIP,INSULATOR" |
| 55 | 19091216 | | WASHER PM |
| 56 | 138461 | | SUB= 155886 |
| 57 | 73510400 | | NUT |
| 58 | 137113 | | BRKT.ASM.FENDER |
| 59 | 73220400 | | SUB= 50675 |
| 60 | 17490620 | | SCREW |
| 62 | 72110608 | | BOLT D. |
| 63 | 19131614 | | WASHER |

| Ref # | Part Number | Qty | Description |
|-------|-------------|-----|-------------------|
| 64 | 73510500 | | NUT |
| 66 | 133671 | | FOOTREST PAD |
| 67 | 140737 | | GUIDE BELT TRANS |
| 68 | 17490508 | | SCREW LT |
| 69 | 141947 | | SHIELD.HEAT.VGT. |
| 70 | 137159 | | GUIDE.BELT.MID.SP |
| 71 | 123198X | | SUB= 146525 |
| 72 | 74180512 | | SCREW |
| 73 | 74780616 | | BOLT |
| 74 | 74191008 | | SCREW |
| 75 | 10071000 | | LOCKWASHER |
| 76 | 2029J | | WELDNUT |
| 77 | 17030814 | | SUB= 91817030814 |
| 79 | 74981020 | | SCREW |
| 80 | 7206J | | SPACER LT |
| 81 | 19070818 | | WASHER |
| 82 | 73731000 | | NUT |
| 84 | 142992 | | STOP.OVER.CENTER |
| 85 | 120404X | | SUB= 156404 |
| 86 | 74760716 | | BOLT |
| 88 | 10040700 | | LOCKWASHER |
| 90 | 11050600 | | LOCKWASHER |
| 91 | 144735 | | SUB= 151630 |
| 92 | 140131X012 | | PLATE DASH SILKSC |
| 93 | 17490608 | | SCREW LT |
| 94 | 100207K | | CLIP GTV |
| 95 | 105531X | | NUT-PUSH YT |
| 96 | 8022J | | PLUG-DASH T |
| 103 | 10040400 | | LOCKWASHER |
| 106 | 138776 | | SUB= 157722 |
| 107 | 19131614 | | WASHER |
| 115 | 141460 | | BUMPER.ASM.W/PY |
| 116 | 141461 | | BRACKET.EXT.BUMP. |
| 117 | 143679 | | PLUG.PLASTIC |
| 118 | 19131316 | | WASHER |
| 119 | 73680600 | | SUB= 73690600 |
| 120 | 19131616 | | WASHER HYT |
| 123 | 17490616 | | SCREW GTV |
| 124 | 108067X | | PAL NUT LT |

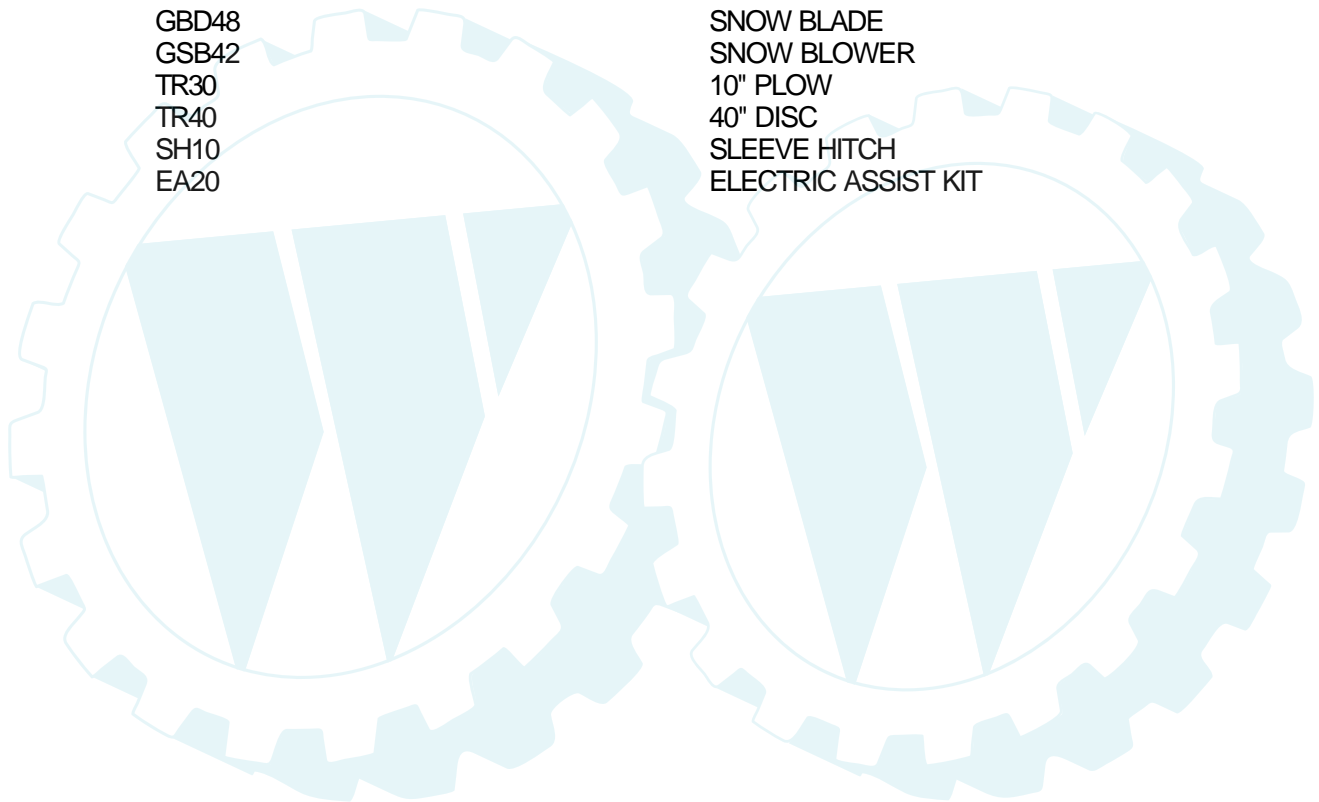
TRACTOR -- MODEL NUMBER 4200V-54

DECALS



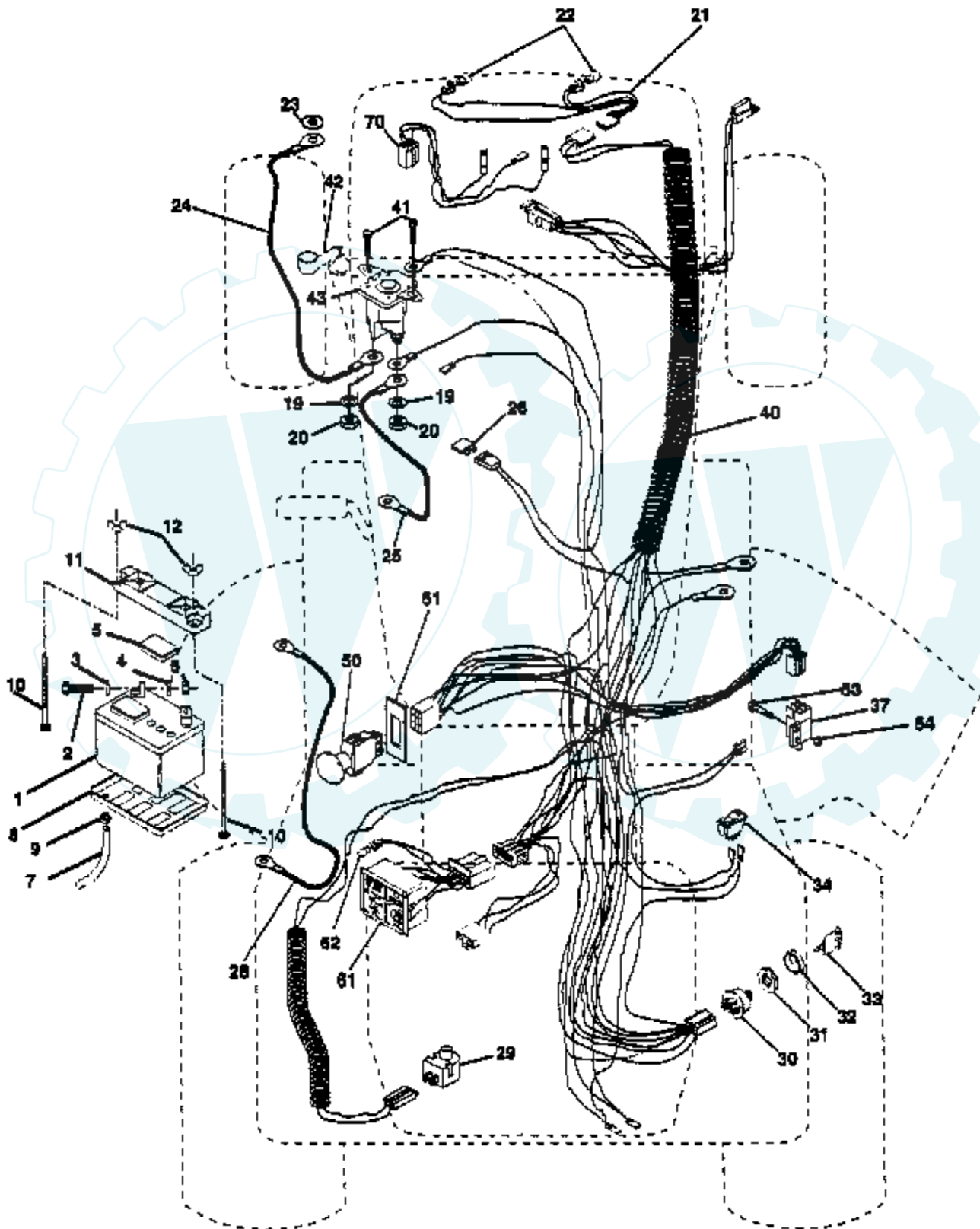
NOTE: All component dimensions given in U.S. inches
1 inch = 25,4 mm

| Ref # | Part Number | Qty | Description |
|-------|-------------|-----|---------------------|
| 1 | 138955 | | DECAL.DASH.INST. |
| 2 | 135062 | | NAMEPLATE LOGO |
| 3 | 135343 | | NLA |
| 4 | 135344 | | HOOD DECAL LH |
| 5 | 135341 | | GRILL DECAL |
| 10 | 133796 | | DECAL |
| 11 | 4900J | | DECAL T |
| 13 | 135340 | | DECAL.CHASSIS |
| 14 | 139346 | | "DECAL.V.BELT.44"" |
| 15 | 137259 | | "DECAL, WARNING" |
| 18 | 135619 | | NLA |
| 23 | 106202X | | REFLECTOR-TAIL YT |
| | 138311 | | DECAL HANDLE LIFT |
| | 146450 | | MANUAL.O.4200V-54 |
| | GBD48 | | SNOW BLADE |
| | GSB42 | | SNOW BLOWER |
| | TR30 | | 10" PLOW |
| | TR40 | | 40" DISC |
| | SH10 | | SLEEVE HITCH |
| | EA20 | | ELECTRIC ASSIST KIT |



TRACTOR - - MODEL NUMBER 4200V-54

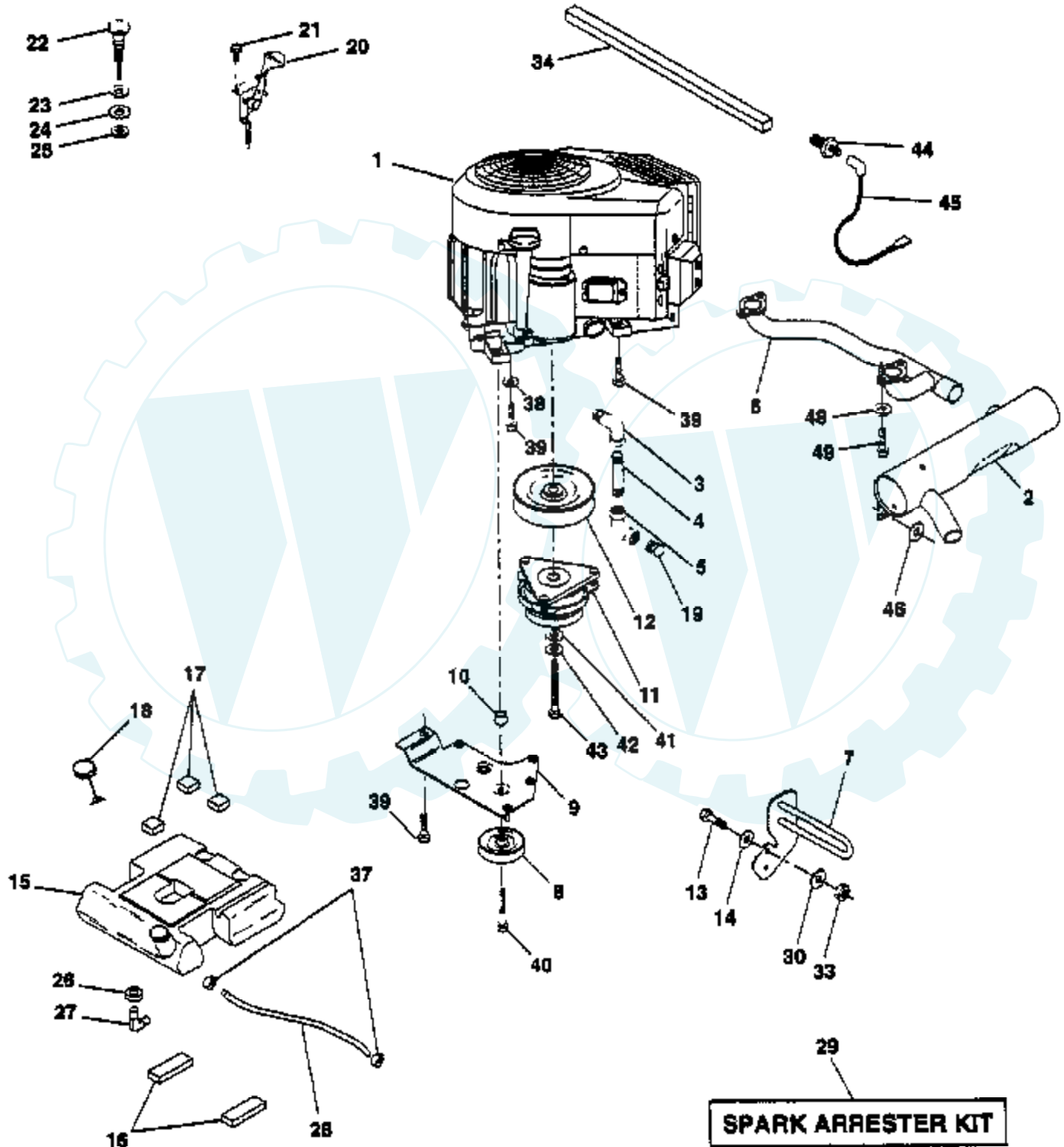
ELECTRICAL



| Ref # | Part Number | Qty | Description |
|-------|-------------|-----|--------------------|
| 1 | 121537X | | SUB= 123899X |
| 2 | 74760412 | | BOLT LT |
| 3 | 19091016 | | WASHER |
| 4 | 10040400 | | LOCKWASHER |
| 5 | 121264X | | "CAP,BATTERY " |
| 6 | 73220400 | | SUB= 50675 |
| 7 | 7697J | | "DRAIN TU T, BATT" |
| 8 | 7603J | | "TRAY T, BATTERY" |
| 9 | 109596X | | HOSE CLAMP T |
| 10 | 72240460 | | BOLT |
| 11 | 102476X | | SUB= 150109 |
| 12 | 123198X | | SUB= 146525 |
| 19 | 10090400 | | SUB= 10040400 |
| 20 | 73350400 | | NUT |
| 21 | 136850 | | "HARNES,LIGHT SOC" |
| 22 | 4152J | | HEADLAMP BULB |
| 23 | 11150400 | | LOCKWASHER |
| 24 | 4206J | | CABLE-BATTERY T |
| 25 | 4206J | | CABLE-BATTERY T |
| 26 | 108824X | | FUSE HYT |
| 28 | 4207J | | CABLE T |
| 29 | 121305X | | SWITCH SEAT |
| 30 | 144921 | | SUB= 163088 |
| 31 | 140400 | | SUB= 145774 |
| 32 | 141226 | | COVER KEY SWITCH |
| 33 | 140401 | | KEY MLD GEN DELTA |
| 34 | 110712X | | SWITCH LT |
| 37 | 109553X | | SWITCH INTERLOCKT |
| 40 | 141910 | | HARNES IGNITION |
| 41 | 17720408 | | SCREW |
| 42 | 131563 | | SUB= 154336 |
| 43 | 138406 | | SUB= 146154 |
| 50 | 140404 | | SUB= 154959 |
| 51 | 140405 | | RING RETAIN PTO |
| 53 | 71031008 | | SCREW |
| 54 | 73951000 | | "NUT,KEPS" |
| 61 | 138101 | | LIGHT.PKG.ASM. |
| 62 | 110143X | | BULB LIGHT T |
| 70 | 141983 | | HARNES.ENG.VANII |

TRACTOR -- MODEL NUMBER 4200V-54

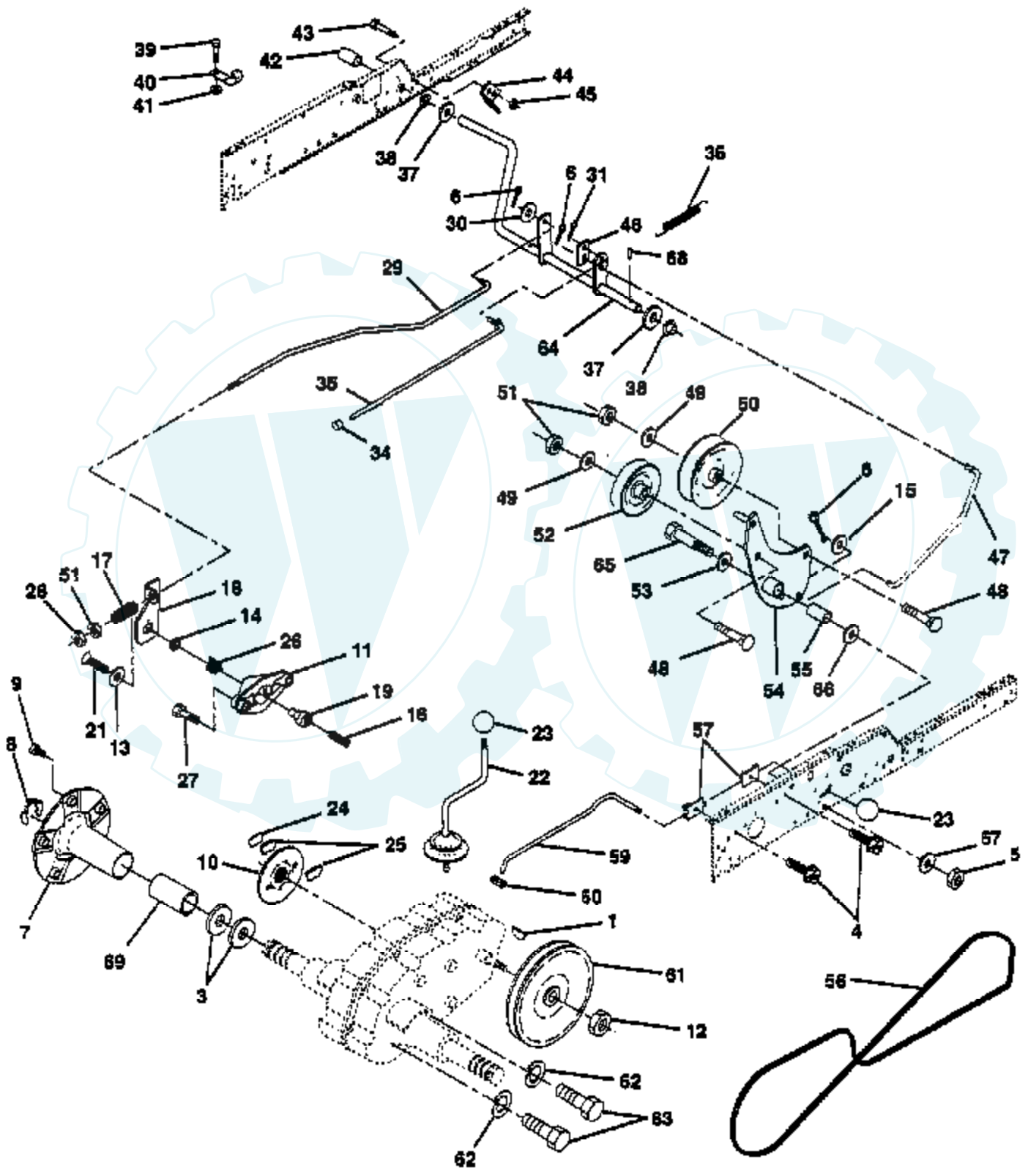
ENGINE



| Ref # | Part Number | Qty | Description |
|-------|-------------|-----|-------------------|
| 1 | 351777 | | ENGINE B&S |
| 2 | 144636 | | SUB= 161062 |
| 3 | 13240300 | | STREET ELBOW LT |
| 4 | 13280328 | | PIPE NIPPLE |
| 5 | 13200300 | | ELBOW |
| 6 | 140805 | | PIPE.EXHAUST.B&S |
| 7 | 143599 | | SUB= 151396 |
| 8 | 121361X | | SUB= 139123 |
| 9 | 145109 | | SUB= 150828 |
| 10 | 105432X | | BUSHING. |
| 11 | 137140 | | SUB= 142600 |
| 12 | 136907 | | PULLEY.ENGINE.VGT |
| 13 | 74780624 | | "BOLT,HEX" |
| 14 | 19131414 | | WASHER |
| 15 | 141069 | | SUB= 151346 |
| 16 | 109227X | | PAD IDLER TI |
| 17 | 106082X | | PAD-SPACER LT |
| 18 | 140527 | | CAP ASM FUEL |
| 19 | 13290300 | | PLUG T |
| 20 | 132747 | | SUB= 532132748 |
| 21 | 17720410 | | SCREW LT |
| 22 | 132782 | | SUB= 132781 |
| 23 | 19131316 | | WASHER |
| 24 | 11050600 | | LOCKWASHER |
| 25 | 73610600 | | SUB= 7810H |
| 26 | 3645J | | BUSHING OUTLET T |
| 27 | 139277 | | STEM.TANK.FUEL |
| 28 | 7834R | | SUB= 8542R |
| 29 | 132920 | | SPARK ARREST KIT |
| 30 | 19132007 | | WASHER T |
| 33 | 73800600 | | NUT |
| 34 | 105037X | | FOAM-STRIP LT |
| 37 | 123487X | | HOSE CLAMP |
| 38 | 11050600 | | LOCKWASHER |
| 39 | 17490624 | | SCREW LT |
| 40 | 17490652 | | SCREW.3/8-16X3.25 |
| 41 | 126197X | | WASHER |
| 42 | 10040700 | | LOCKWASHER |
| 43 | 71170768 | | SUB= 150280 |
| 44 | 142320 | | SWITCH OIL KOHLER |
| 45 | 144222 | | WIRE.LEAD.SENTRY |
| 46 | 19131616 | | WASHER HYT |
| 48 | 10040500 | | LOCKWASHER |
| 49 | M710708020 | | BOLT.HD.SOCKET. |

TRACTOR - - MODEL NUMBER 4200V-54

GROUND DRIVE





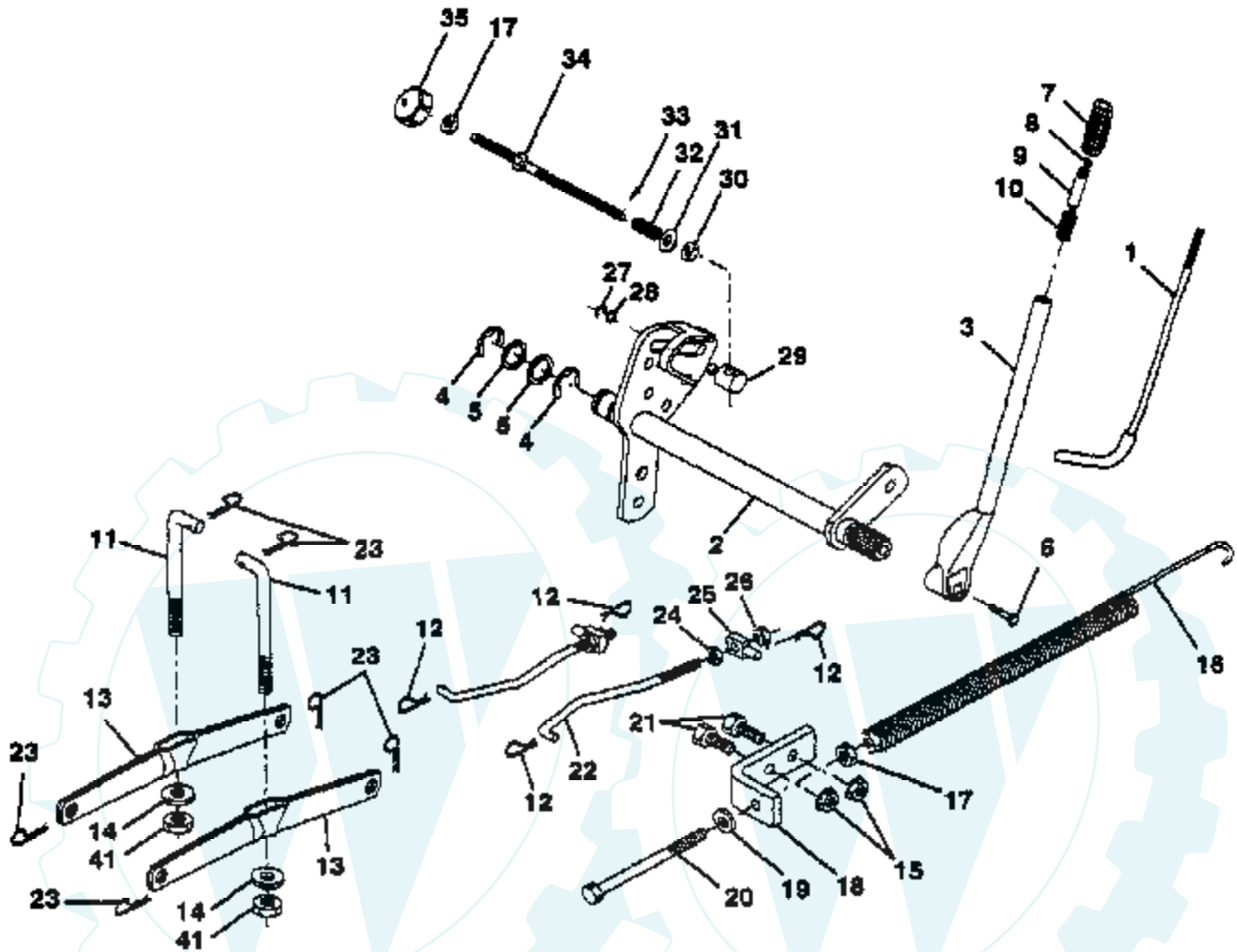
| Ref # | Part Number | Qty | Description |
|-------|-------------|-----|--------------------|
| 1 | 9858M1 | | KEY |
| 3 | 7563R | | WASHER T |
| 4 | 17490508 | | SCREW LT |
| 5 | 73680600 | | SUB= 73690600 |
| 6 | 76020412 | | COTTER PIN |
| 7 | 135758 | | SUB= 149176X431 |
| 8 | 12000034 | | KLIP RING |
| 9 | 140080 | | BOLT.HUB.WHL.REAR |
| 10 | 142509 | | BRAKE.DISC. |
| 11 | 136927 | | YOKE BRAKE DISC |
| 12 | 9204H | | NUT STD |
| 13 | 139419 | | WASHER SPECIAL |
| 14 | 138901 | | BUSHING LEVER BKT |
| 15 | 19131316 | | WASHER |
| 16 | 143012 | | SCREW SET 1/4-20 |
| 17 | 126909X | | "SPRING,ROD BRAKE" |
| 18 | 137104 | | LEVER BRAKE GT |
| 19 | 136926 | | CAM BRAKE DISC GT |
| 21 | 23260412 | | SCREW FLT 1/4X28 |
| 22 | 633A109 | | GEAR SHFT LVR T |
| 23 | 121466X | | KNOB |
| 24 | 136925 | | SUPPORT PUCK BRKE |
| 25 | 136923 | | PUCK BRAKE TOP |
| 26 | 137552 | | SPRING RET BRAKE |
| 27 | 17490528 | | SCREW HX WASH |
| 28 | 73350600 | | NUT |
| 29 | 137213 | | ROD BRAKE ZINC GT |
| 30 | 19131614 | | WASHER |
| 31 | 76020312 | | SUB= 3145 |
| 34 | 71673 | | PLUNGER CAP T |
| 35 | 137648 | | ROD BRAKE PART GT |
| 36 | 138364 | | SUB= 149412 |
| 37 | 121749X | | WASHER |
| 38 | 110895X | | NYLINER T |
| 39 | 74321016 | | SCREW |
| 40 | 5304J | | ACT-SWITCH T |
| 41 | 73631000 | | SUB= 69180 |
| 42 | 8883R | | PEDAL COVER T |
| 43 | 71031008 | | SCREW |
| 44 | 104601X | | BRKT SWITCH GT |
| 45 | 73951000 | | "NUT,KEPS" |
| 46 | 121358X | | RETAINER SPRING |
| 47 | 138228 | | ROD.CLUTCH |
| 48 | 72110614 | | BOLT |
| 49 | 19131413 | | WASHER |
| 50 | 131494 | | FLAT IDLER PULLEY |
| 51 | 73680600 | | SUB= 73690600 |
| 52 | 139123 | | PULLEY.IDLER.V.GR |
| 53 | 207J | | WASHER T |
| 54 | 138390 | | ARM.ASM.IDLER.CLU |
| 55 | 105706X | | "LY, BEARING" |
| 56 | 137153 | | BELTV.GR.DR.83. |
| 57 | 141756 | | BRACKET.ROD.SHIFT |
| 59 | 122253X | | ROD SHIFT HI LO |
| 60 | 122268X | | CONNECTING LINK |
| 61 | 137524 | | SUB= 532137524 |
| 62 | 10040700 | | LOCKWASHER |
| 63 | 74760720 | | BOLT |

| Ref # | Part Number | Qty | Description |
|-------|-------------|-----|-------------------|
| 64 | 137649 | | SUB= 154752 |
| 65 | 67609 | | AXLE BOLT |
| 66 | 140296 | | WASHER.HARD.BLADE |
| 67 | 19131312 | | WASHER |
| 68 | 5142H | | ROLL PIN STD |
| 69 | 136327 | | "COVER, HUB" |



TRACTOR - - MODEL NUMBER 4200V-54

LIFT ASSEMBLY

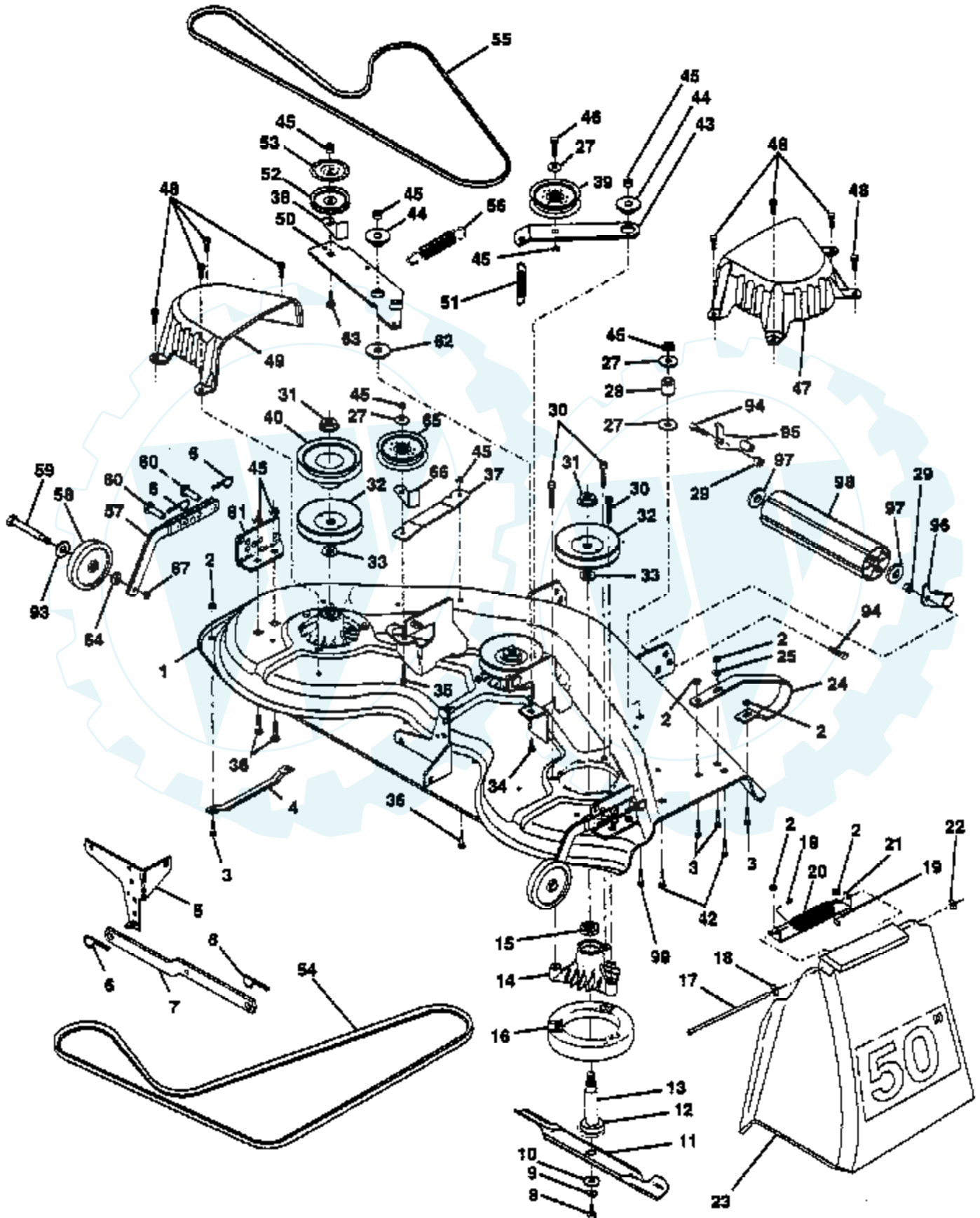


NOTE: All component dimensions given in U.S. inches
1 inch = 25.4 mm

| Ref # | Part Number | Qty | Description |
|-------|-------------|-----|-------------------|
| 1 | 121006X | | LEVER ROD LT |
| 2 | 137295 | | SUB= 145542 |
| 3 | 121002X | | SUB= 123096X |
| 4 | 12000022 | | E-RING |
| 5 | 19292016 | | WASHER |
| 6 | 74780624 | | "BOLT,HEX" |
| 7 | 109413X | | GRIP |
| 8 | 124526X | | SUB= 125925X |
| 9 | 122364X | | SUB= 125925X |
| 10 | 2876H | | SPRING T |
| 11 | 142369 | | SUB= 146704 |
| 12 | 3146R | | RETAINER.SPRING |
| 13 | 139867 | | SUB= 139868 |
| 14 | 140302 | | BEARING PVT LH |
| 16 | 674A247 | | SUB= 918674A247 |
| 17 | 73350600 | | NUT |
| 18 | 143363 | | BRACKET SPRING AS |
| 19 | 19131316 | | WASHER |
| 20 | 5328J | | BOLT-ADJ SPRING T |
| 21 | 74760616 | | BOLT |
| 22 | 127218 | | LINK.FRONT |
| 23 | 4939M | | SUB= 85902 |
| 24 | 73350800 | | NUT |
| 25 | 130171 | | TRUNION |
| 26 | 73800800 | | NUT.LK.W/WSH.1/2. |
| 27 | 12000037 | | KLIP RING |
| 28 | 19151216 | | WASHER |
| 29 | 110810X | | TRUNION LT |
| 30 | 110807X | | NUT T |
| 31 | 19131016 | | WASHER |
| 32 | 137150 | | SPRING.COMP.INF.H |
| 33 | 76020308 | | SUB= 3145 |
| 34 | 137167 | | ROD.ADJ.LIFT |
| 35 | 138057 | | KNOB INF 3/8-16 |
| 41 | 73540600 | | NUT.CROWNLOCK.3/8 |

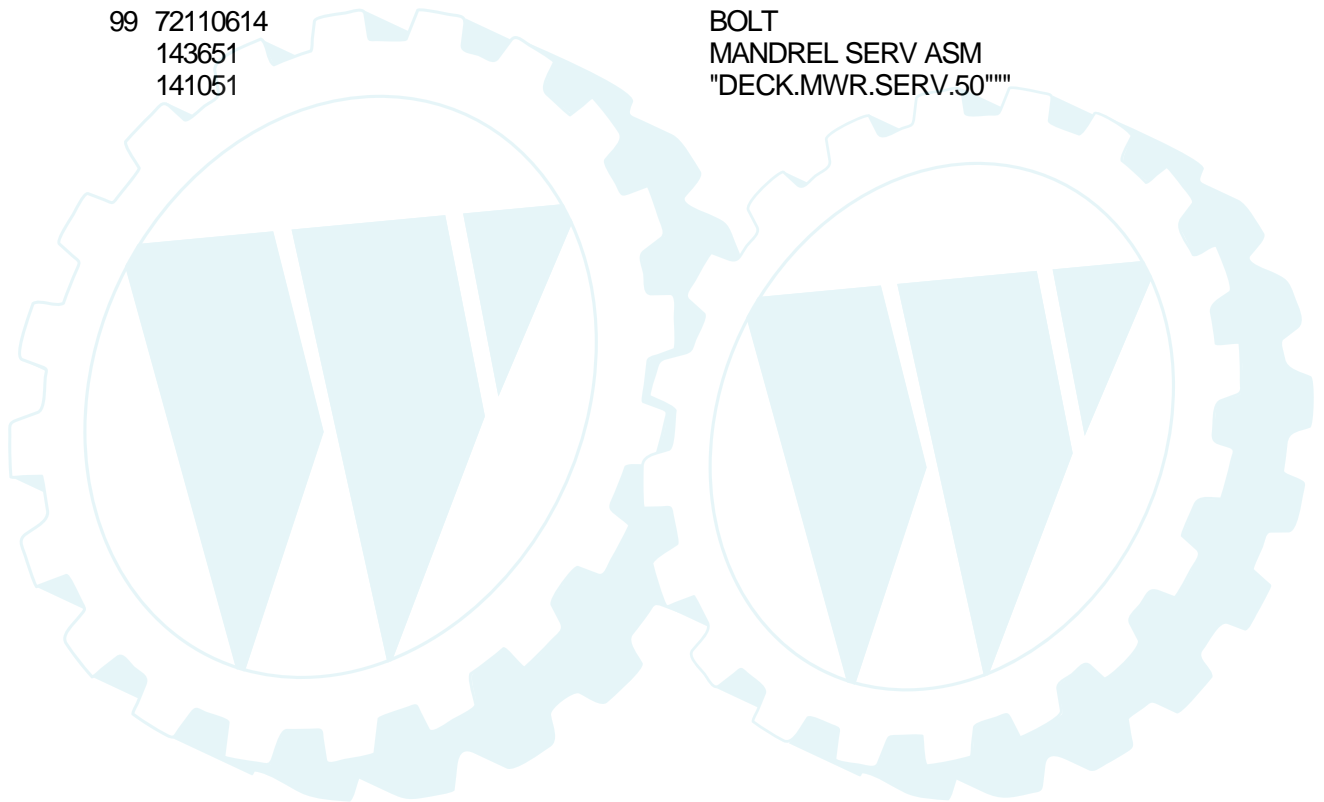
TRACTOR - - MODEL NUMBER 4200V-54

MOWER DECK

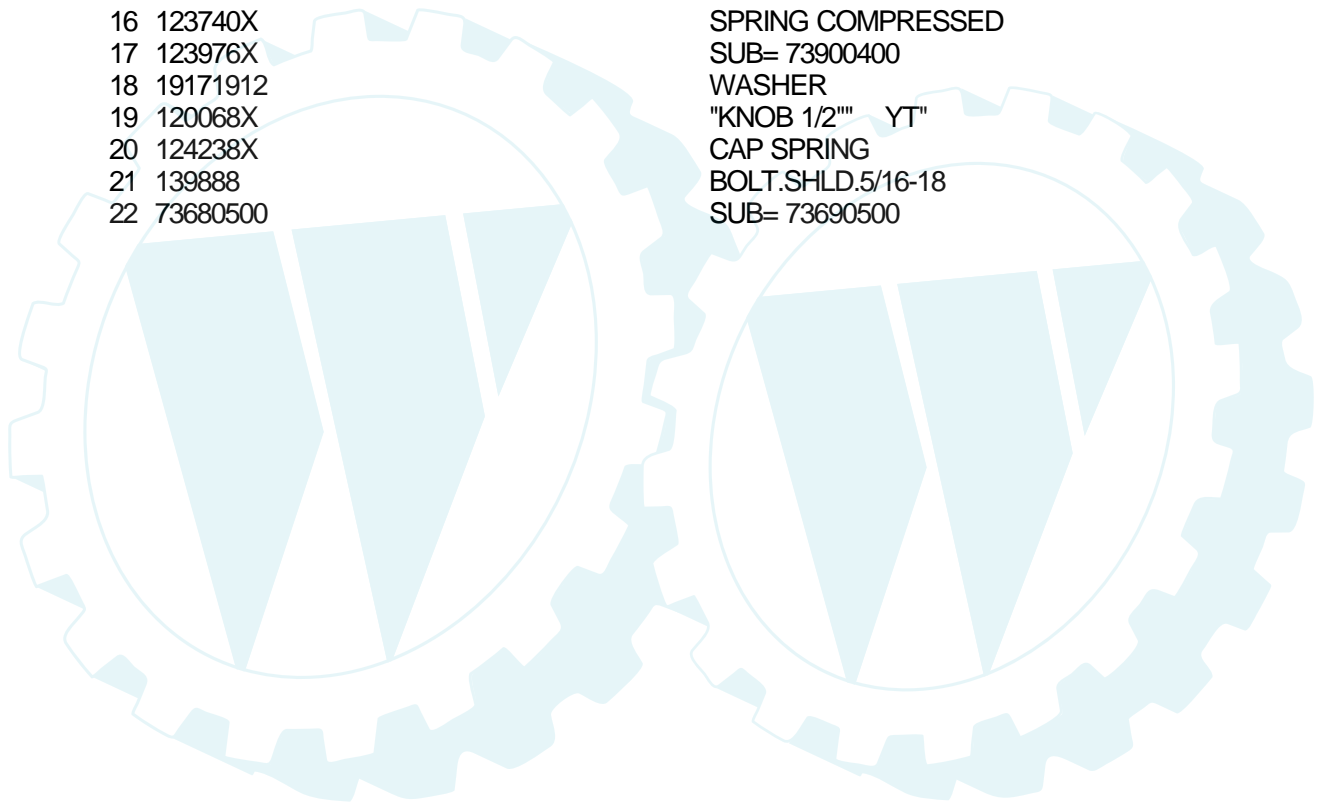


| Ref # | Part Number | Qty | Description |
|-------|-------------|-----|----------------------|
| 1 | 136457 | | DECK ASM MWR 50VT |
| 2 | 73680500 | | SUB= 73690500 |
| 3 | 72110506 | | SUB= 72270506 |
| 4 | 7631J | | RUNNER-LH M |
| 5 | 138457 | | BRKT.ASM.SW.44/50 |
| 6 | 4939M | | SUB= 85902 |
| 7 | 130832 | | SUB= 130833 |
| 8 | 850857 | | BLADE BOLT |
| 9 | 10030600 | | SUB= 10040600 |
| 10 | 140296 | | WASHER.HARD.BLADE |
| 11 | 137380 | | "BLADE.50"" HD" |
| 12 | 129895 | | BEARING.BALL |
| 13 | 137553 | | SHAFT.ASM.W/BRNG |
| 14 | 137152 | | HOUSING.MAND.44.V |
| 15 | 110485X | | BEARING |
| 16 | 140329 | | STRIPPER RND MWR |
| 17 | 106735X | | ROD-HINGE T |
| 18 | 19111016 | | WASHER |
| 19 | 105304X | | CAP-SLEEVE LT |
| 20 | 123713X | | SPRING TORSION |
| 21 | 137607 | | BRKT DEFLECTOR |
| 22 | 110452X | | NUT PUSH M |
| 23 | 110509X | | DEFLECTOR |
| 24 | 136320 | | "RUNNER RH 50"" DK" |
| 25 | 19111216 | | WASHER M |
| 27 | 19131316 | | WASHER |
| 28 | 132823 | | SUB= 532132823 |
| 29 | 73680600 | | SUB= 73690600 |
| 30 | 138776 | | SUB= 157722 |
| 31 | 137266 | | SUB= 139729 |
| 32 | 129861 | | SUB= 153535 |
| 33 | 129963 | | WASHER |
| 34 | 72140610 | | BOLT.3/8-14X1.25 |
| 35 | 72110616 | | BOLT |
| 36 | 72110608 | | BOLT D |
| 37 | 137166 | | STIFFENER.ARM.IDL |
| 38 | 137554 | | SUB= 918137554 |
| 39 | 131494 | | FLAT IDLER PULLEY |
| 40 | 136572 | | "PULLEY.DRIVEN.44""" |
| 42 | 72140506 | | BOLT |
| 43 | 136460 | | "ARM.IDLER.SEC.44""" |
| 44 | 122052X | | SPACER RETAINER |
| 45 | 73680600 | | SUB= 73690600 |
| 46 | 74760628 | | BOLT |
| 47 | 137200 | | "COVER.MAND.RH.44""" |
| 48 | 137729 | | SCREW.1/4-20X5/8 |
| 49 | 136574 | | COVER.MANDREL.LH |
| 50 | 137272 | | ARM.IDLER.PRIMARY |
| 51 | 137273 | | "SPRING.SEC.44""VEN" |
| 52 | 139245 | | PULLEY.IDLER.VGRO |
| 53 | 137789 | | SHIELD.IDLER.44.V |
| 54 | 139573 | | BELT V PRIM 50 |
| 55 | 138255 | | BELT.V.GDRIVE.95 |
| 56 | 138687 | | SPRING.EXT.DECK. |
| 57 | 136577 | | BAR.ASM.GUAGE.WHL |
| 58 | 105455X | | WHEEL.GAGE.BLK.PL |
| 59 | 4898H | | BOLT M |
| 60 | 139031 | | PIN.CLEVIS |

| Ref # | Part Number | Qty | Description |
|-------|-------------|-----|---------------------|
| 61 | 136573 | | BRACKET.GUAGE.WHL |
| 62 | 133943 | | HARDENED WASHER |
| 63 | 72110612 | | BOLT.3/8-16X1.50 |
| 64 | 19121414 | | WASHER |
| 65 | 102403X | | IDLER-FLAT T |
| 66 | 139622 | | SUB= 918139622 |
| 67 | 73930600 | | LOCKNUT |
| 68 | 74760616 | | BOLT |
| 93 | 19171512 | | WASHER |
| 94 | 74760616 | | BOLT |
| 95 | 132273 | | SUB= 532132273 |
| 96 | 132274 | | SUB= 532132274 |
| 97 | 19171416 | | WASHER |
| 98 | 132264 | | SUB= 532132264 |
| 99 | 72110614 | | BOLT |
| | 143651 | | MANDREL SERV ASM |
| | 141051 | | "DECK.MWR.SERV.50"" |

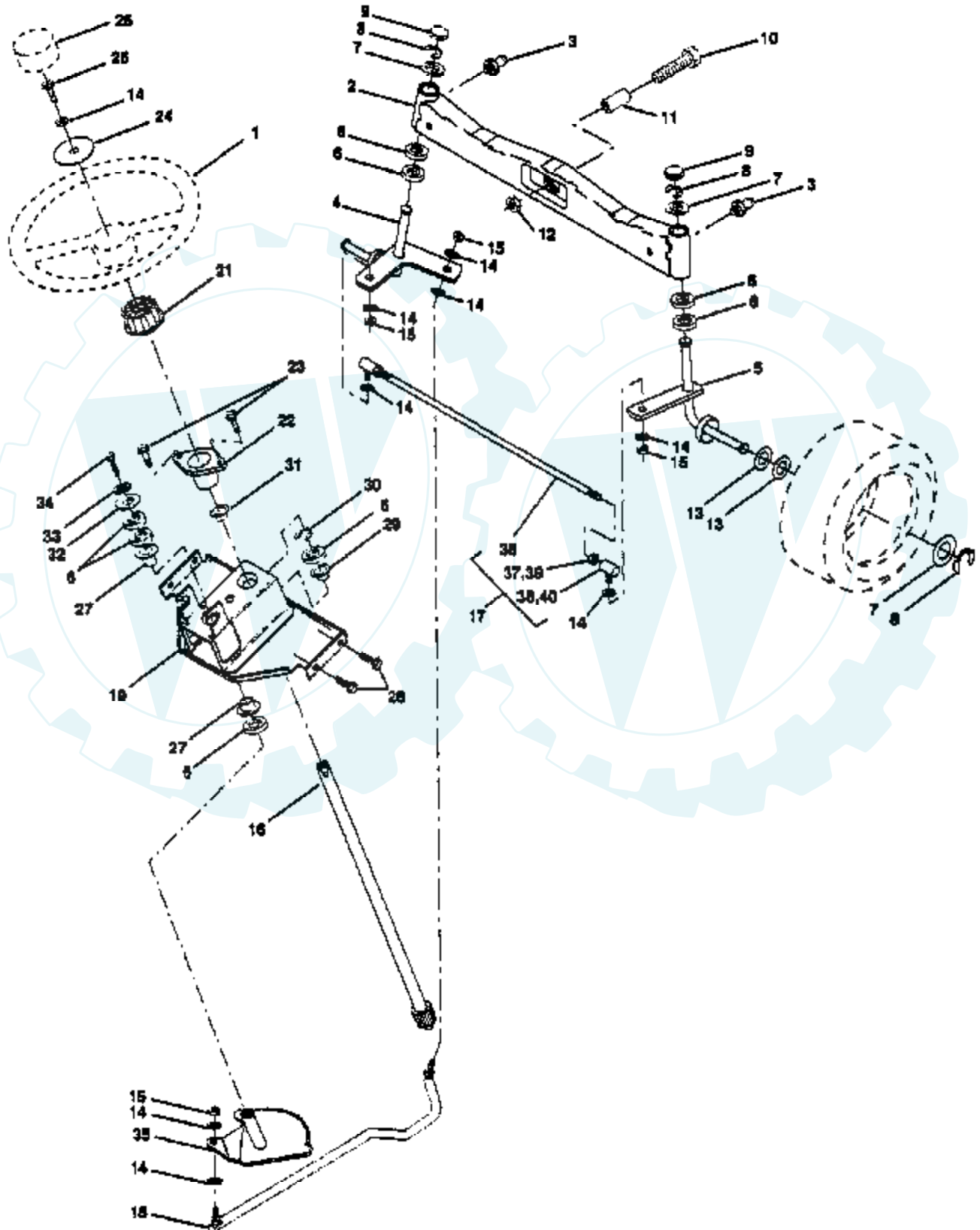


| Ref # | Part Number | Qty | Description |
|-------|-------------|-----|-------------------|
| 1 | 127440 | | SUB= 140121 |
| 2 | 140551 | | BRACKET PVT SEAT |
| 3 | 140675 | | STRAP ASM FENDER |
| 4 | 127018X | | "BOLT,SHOULDER" |
| 5 | 145006 | | CLIP.PUSH-IN.HING |
| 6 | 73800600 | | NUT |
| 7 | 124181X | | SPRING COMPRESSIO |
| 8 | 17490508 | | SCREW LT |
| 9 | 19131614 | | WASHER |
| 10 | 140552 | | SUB= 155925 |
| 12 | 121246X | | BRKT SWITCH |
| 13 | 121248X | | BUSHING |
| 14 | 72050411 | | SUB= 872050411 |
| 15 | 121249X | | SPACER SPLIT |
| 16 | 123740X | | SPRING COMPRESSED |
| 17 | 123976X | | SUB= 73900400 |
| 18 | 19171912 | | WASHER |
| 19 | 120068X | | "KNOB 1/2" YT" |
| 20 | 124238X | | CAP SPRING |
| 21 | 139888 | | BOLT.SHLD.5/16-18 |
| 22 | 73680500 | | SUB= 73690500 |



TRACTOR -- MODEL NUMBER 4200V-54

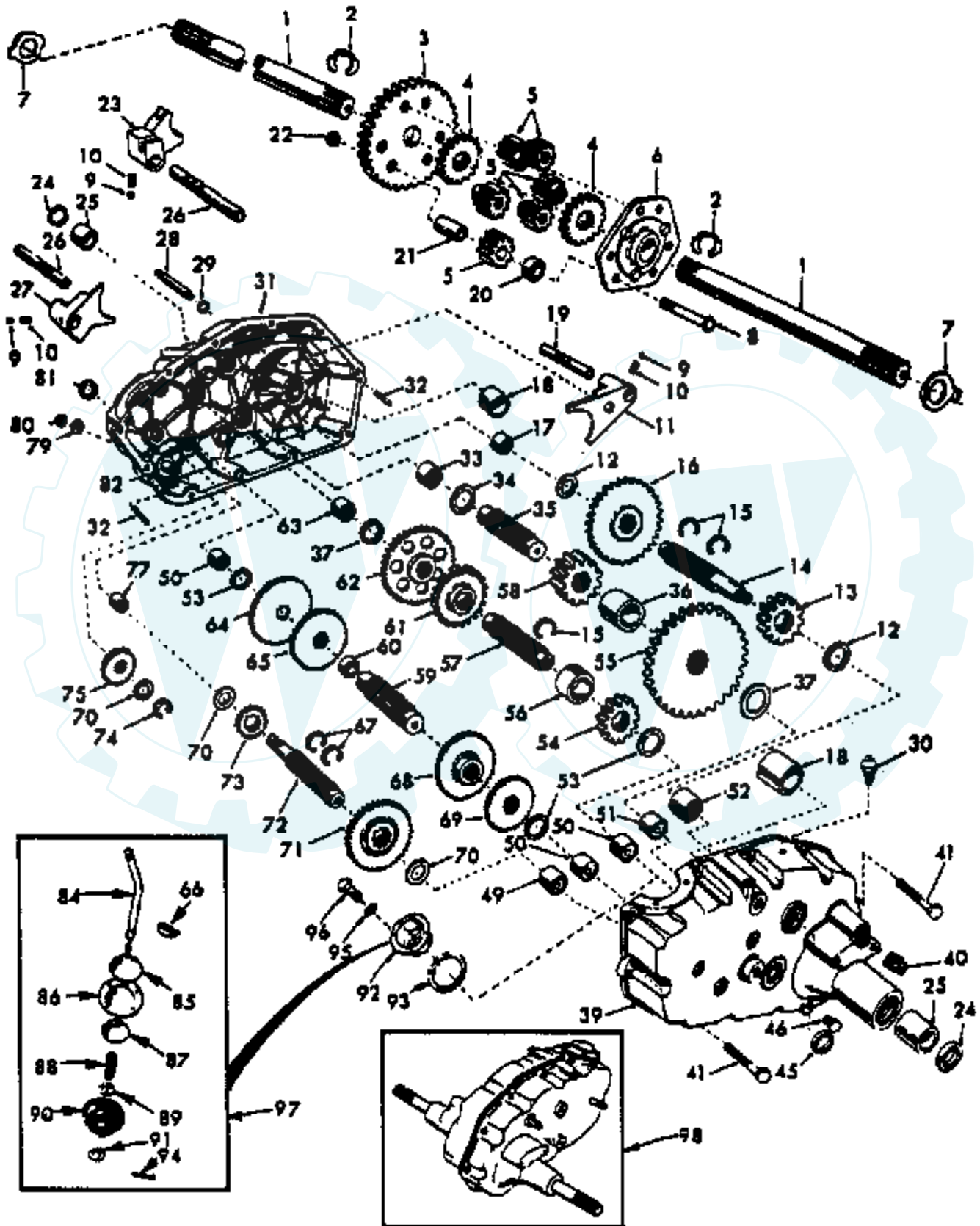
STEERING ASSEMBLY



| Ref # | Part Number | Qty | Description |
|-------|-------------|-----|---------------------|
| 1 | 121472X | | SUB= 150546 |
| 2 | 137094 | | SUB= 532137094 |
| 3 | 6855M | | ZERK M |
| 4 | 136960 | | SPINDLE.ASM.LH |
| 5 | 136959 | | SUB= 918136959 |
| 6 | 6266H | | WASHER .T |
| 7 | 121748X | | WASHER |
| 8 | 12000029 | | RING |
| 9 | 121232X | | CAP |
| 10 | 74781044 | | BOLT |
| 11 | 136518 | | SPACER BEARING |
| 12 | 73901000 | | "NUT-LOC,FLANGE LT" |
| 13 | 121749X | | WASHER |
| 14 | 10040600 | | LOCKWASHER |
| 15 | 73610600 | | SUB= 7810H |
| 16 | 104591X | | SHAFT STEERING GT |
| 17 | 137347 | | ROD.ASM.TIE.BALL |
| 18 | 137155 | | DRAGLINK.BALL.JOI |
| 19 | 143119 | | SUB= 144673 |
| 21 | 100711L | | ADAPTER LT |
| 22 | 1554J | | SUB= 155108 |
| 23 | 17431008 | | SUB= 98000165 |
| 24 | 19133808 | | WASHER T |
| 25 | 74780616 | | BOLT |
| 26 | 126805X | | "INSERT,STR WHEEL" |
| 27 | 3366R | | COL. SRTG. BEAR. |
| 28 | 17490612 | | SCREW |
| 29 | 104239X | | "FLANGE GT, BEAR." |
| 30 | 12000034 | | KLIP RING |
| 31 | 138136 | | BUSHING.NYLINER. |
| 32 | 19111610 | | WASHER |
| 33 | 10040500 | | LOCKWASHER |
| 34 | 74760512 | | BOLT |
| 35 | 138059 | | GEAR.ASM.SECTOR. |
| 36 | 137156 | | SUB= 137347 |
| 37 | 73360600 | | NUT |
| 38 | 109850X | | JOINT.RH |
| 39 | 73700600 | | NUT |
| 40 | 109851X | | JOINT.LH |

TRACTOR - - MODEL NUMBER 4200V-54

TRANSAXLE

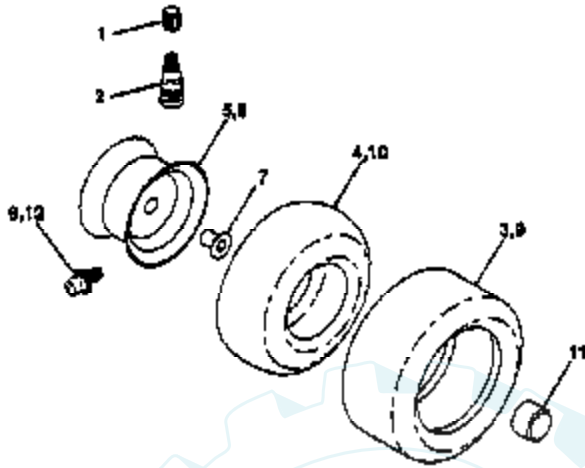


| Ref # | Part Number | Qty | Description |
|-------|-------------|-----|-------------------|
| 1 | 4197R | | SHAFT.AXLE.T |
| 2 | 12000034 | | KLIP RING |
| 3 | 4199R | | FINAL GEAR T |
| 4 | 4216R | | DIFF GEAR T |
| 5 | 4215R | | DIFF PINION T |
| 6 | 4217R | | DIFF CARRIER T |
| 7 | 6256H | | WASHER T |
| 8 | 74020652 | | BOLT |
| 9 | 7392M | | SUB= 100482K |
| 10 | 137261 | | SUB= 145359 |
| 11 | 4985R | | SHIFT FORK T |
| 12 | 6266H | | WASHER .T |
| 13 | 4212R | | RED PINION T |
| 14 | 137125 | | SHAFT BRAKE GT |
| 15 | 6276H | | SNAP RING T |
| 16 | 633A63 | | GEAR T |
| 17 | 8118M | | "T, BEARING" |
| 18 | 8740H1 | | BEARING |
| 19 | 122238X | | SHAFT |
| 20 | 4218R | | SPACER T |
| 21 | 6252H1 | | PINION RS |
| 22 | 7810H | | GRIPCO NUT |
| 23 | 6262H | | FORK T |
| 24 | 7393R | | OIL SEAL STD |
| 25 | 992R1 | | BRNG. T |
| 26 | 139111 | | SHIFT FORK SHAFT |
| 27 | 4986R | | SHIFT FORK T |
| 28 | 122254X | | SHIFT SHAFT |
| 29 | 6269H | | SEAL T |
| 30 | 5855H | | VALVE M |
| 31 | 139538 | | GEARCASE RH W/BER |
| 32 | 6277H | | PIN T |
| 33 | 4225R | | NEEDLE BRNG T |
| 34 | 7396H | | RACE T |
| 35 | 4198R | | GEAR SHAFT T |
| 36 | 4200R | | SUB= 532004200 |
| 37 | 7395H | | RACE T |
| 39 | 139536 | | GEARCASE LH W/BER |
| 40 | 13320400 | | PLUG PIPE |
| 41 | 17580520 | | BOLT.5/16-18X1.25 |
| 45 | 6271H | | SEAL T |
| 46 | 13060200 | | SUB= 13020200 |
| 49 | 4895H | | "TI, BEARING" |
| 50 | 4222R | | NEEDLE BRNG T |
| 51 | 1529R | | NEEDLE BRNG T |
| 52 | 8119M | | "STD, BEARING" |
| 53 | 4220R | | BRNG RACE |
| 54 | 4209R | | RED PINION T |
| 55 | 4213R | | RED GEAR T |
| 56 | 4442R | | PINION SPACER T |
| 57 | 4195R | | GEAR SHAFT T |
| 58 | 4214R | | FINAL PINION T |
| 59 | 4194R | | GEAR SHAFT T |
| 60 | 7528R | | SPACER T |
| 61 | 4208R | | RED PINION T |
| 62 | 4207R | | RED GEAR T |
| 63 | 7398H | | RACE T |
| 64 | 4203R | | LOW SPEED GEA T |

| Ref # | Part Number | Qty | Description |
|-------|-------------|-----|-------------------|
| 65 | 4204R | | REVERSE GEAR T |
| 66 | 2898J | | KEY T |
| 67 | 12000033 | | KLIP RING |
| 68 | 4205R | | INTERMED GEAR T |
| 69 | 4206R | | SUB= 532004206 |
| 70 | 1370H | | "T, BEARING" |
| 71 | 633A69 | | CLUSTER GEAR T |
| 72 | 139120 | | SHAFT INPUT |
| 73 | 4201R | | LO SPEED PINION T |
| 74 | 12000008 | | KLIP RING |
| 75 | 1153R | | IDLER GEAR T |
| 77 | 6803J | | NEEDLE BEARING TI |
| 79 | 1167R | | WASHER T |
| 80 | 73360700 | | NUT |
| 81 | 6270H | | SEAL STD |
| 82 | 136984 | | SHAFT REVERSE IDL |
| 84 | 5384J | | GEAR SHIFT LVR T |
| 85 | 2978J | | CAP T |
| 86 | 633A85 | | COVER AND PIN T |
| 87 | 8739H1 | | GUIDE BALL T |
| 88 | 4924H | | SPRING TI |
| 89 | 19151516 | | WASHER |
| 90 | 110542X | | SEAL T |
| 91 | 19181511 | | WASHER |
| 92 | 75J | | GEAR SHIFT GA T |
| 93 | 6274H | | GASKET T |
| 94 | 76020412 | | COTTER PIN |
| 95 | 10040500 | | LOCKWASHER |
| 96 | 74760514 | | BOLT |
| 97 | 633A109 | | GEAR SHFT LVR T |
| 98 | 140332 | | SUB= 161823 |

WHEELS & TIRES

TRACTOR -- MODEL NUMBER 4200V-54



NOTE: All component dimensions given in U.S. inches
1 inch = 25.4 mm

| Ref # | Part Number | Qty | Description |
|-------|-------------|-----|-------------------|
| 1 | 59192 | | VALVE CAP |
| 2 | 65139 | | VALVE STEM LT |
| 3 | 106230X | | SUB= 122075X |
| 4 | 8134H | | TUBE.16X6.5/7.5-8 |
| 5 | 106228X417 | | RIM.FRONT. |
| 6 | 6856M | | ZERK FITTING M |
| 7 | 9040H | | "FLANGE, BEARING" |
| 8 | 106277X417 | | "WHEEL,REAR" |
| 9 | 105588X | | SUB= 122077X |
| 10 | 7154J | | TUBE.23X8/10-12 |
| 11 | 104757X | | HUB CAP |
| 12 | 278H | | FITTING LT |

