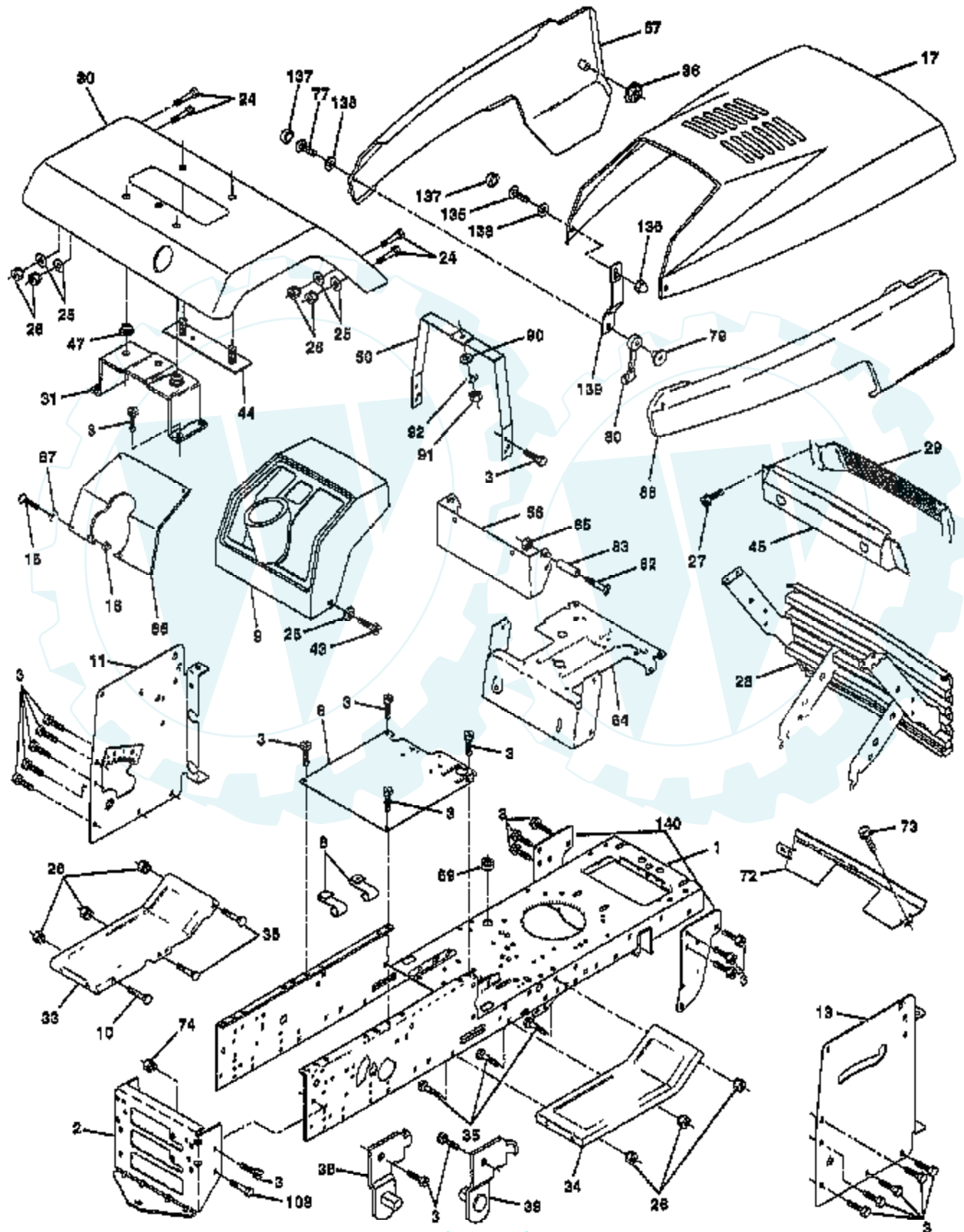


TRACTOR - - MODEL NUMBER 4186-74

CHASSIS AND ENCLOSURES



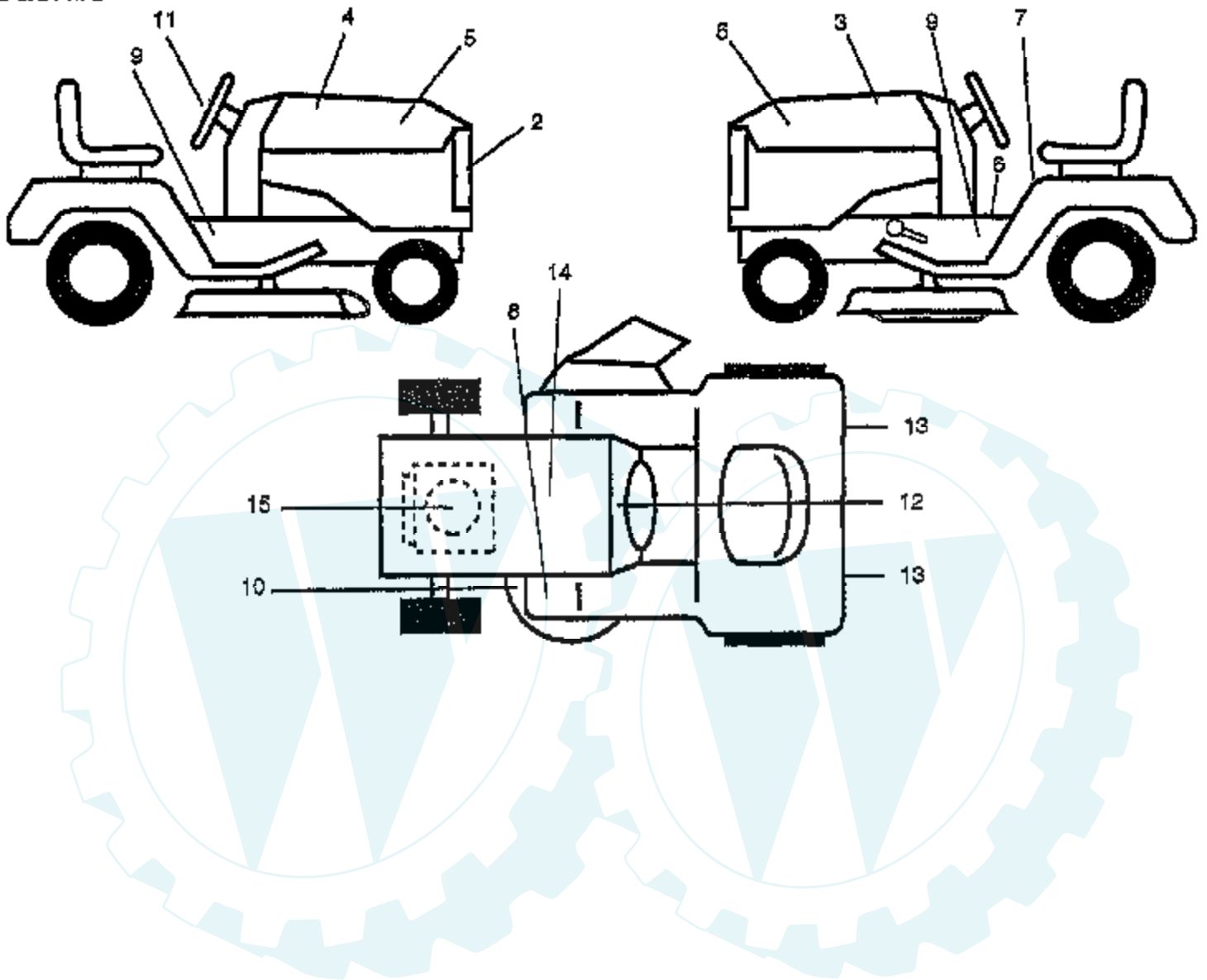
| Ref # | Part Number | Qty | Description |
|-------|-------------|-----|---------------------|
| 1 | 155051 | | CHASSIS ASM |
| 2 | 140356 | | SUB= 145009 |
| 3 | 17490612 | | SCREW |
| 6 | 155923 | | SADDLE |
| 8 | 126471X | | "CLIP,INSULATOR" |
| 9 | 140398 | | DASHBOARD BLACK |
| 10 | 72140608 | | SUB= 72110608 |
| 11 | 145222 | | PANEL.DASH.LH.PNT |
| 13 | 145221 | | PANEL.DASH.RH.PNT |
| 15 | 74180512 | | SCREW |
| 16 | 73510500 | | NUT |
| 17 | 150301X424 | | HOOD.PNT. |
| 24 | 74780616 | | BOLT |
| 25 | 19131312 | | WASHER |
| 26 | 73800600 | | NUT |
| 27 | 17030814 | | SUB= 91817030814 |
| 28 | 150197 | | GRILLE ASM PNT |
| 29 | 146459 | | LENS.BAR.CLEAR |
| 30 | 140002X424 | | FENDER YT/GT |
| 31 | 137113 | | BRKT.ASM.FENDER |
| 33 | 145244X424 | | FOOTREST.LH.LT/GT |
| 34 | 145243X424 | | FOOTREST.RH.LT/GT |
| 35 | 72110606 | | BOLT |
| 36 | 108067X | | PAL NUT LT |
| 38 | 139886 | | BRACKET ASM LH |
| 39 | 139887 | | BRACKET ASM RH |
| 43 | 17490612 | | SCREW |
| 44 | 140675 | | STRAP ASM FENDER |
| 45 | 147717 | | BEZEL.ASM. |
| 47 | 105531X | | NUT-PUSH YT |
| 50 | 145205 | | DASH.SUPT.YP/HUSQ |
| 56 | 150271 | | EXT DASH LTYT |
| 59 | 110436X | | SUB= 9151R |
| 64 | 150272 | | DASH.LOWER.LT |
| 66 | 156286X010 | | "PLATE DASH,SLKSCR" |
| 67 | 19111116 | | WASHER |
| 72 | 144916X424 | | STRAP.GRILLE.424 |
| 73 | 17580408 | | SCREW CRT |
| 74 | 73680600 | | SUB= 73690600 |
| 77 | 74191008 | | SCREW |
| 79 | 2029J | | WELDNUT |
| 80 | 109808X | | HOOD LATCH T |
| 82 | 74981020 | | SCREW |
| 83 | 7206J | | SPACER LT |
| 85 | 73731000 | | NUT |
| 86 | 150303X424 | | PANEL ASM SIDE RH |
| 87 | 150302X424 | | PANEL ASM SIDE LH |
| 90 | 19091216 | | WASHER PM |
| 91 | 73220400 | | SUB= 50675 |
| 92 | 10040400 | | LOCKWASHER |
| 108 | 74760612 | | SUB= 74780612 |
| 135 | 74291006 | | SCREW.10-24X3/8. |
| 136 | 60867 | | ACORN NUT RB |
| 137 | 110356X | | SNAP CAP LT |
| 138 | 110357X | | WASHER LT |
| 139 | 150195 | | BKT.SPT.HOOD/PANL |
| 140 | 158418 | | BRKT.SUSPENSION |
| | 121794X | | COVER ACCESS |

| Ref # | Part Number | Qty | Description |
|-------|-------------|-----|-------------|
| | 8022J | | PLUG-DASH T |

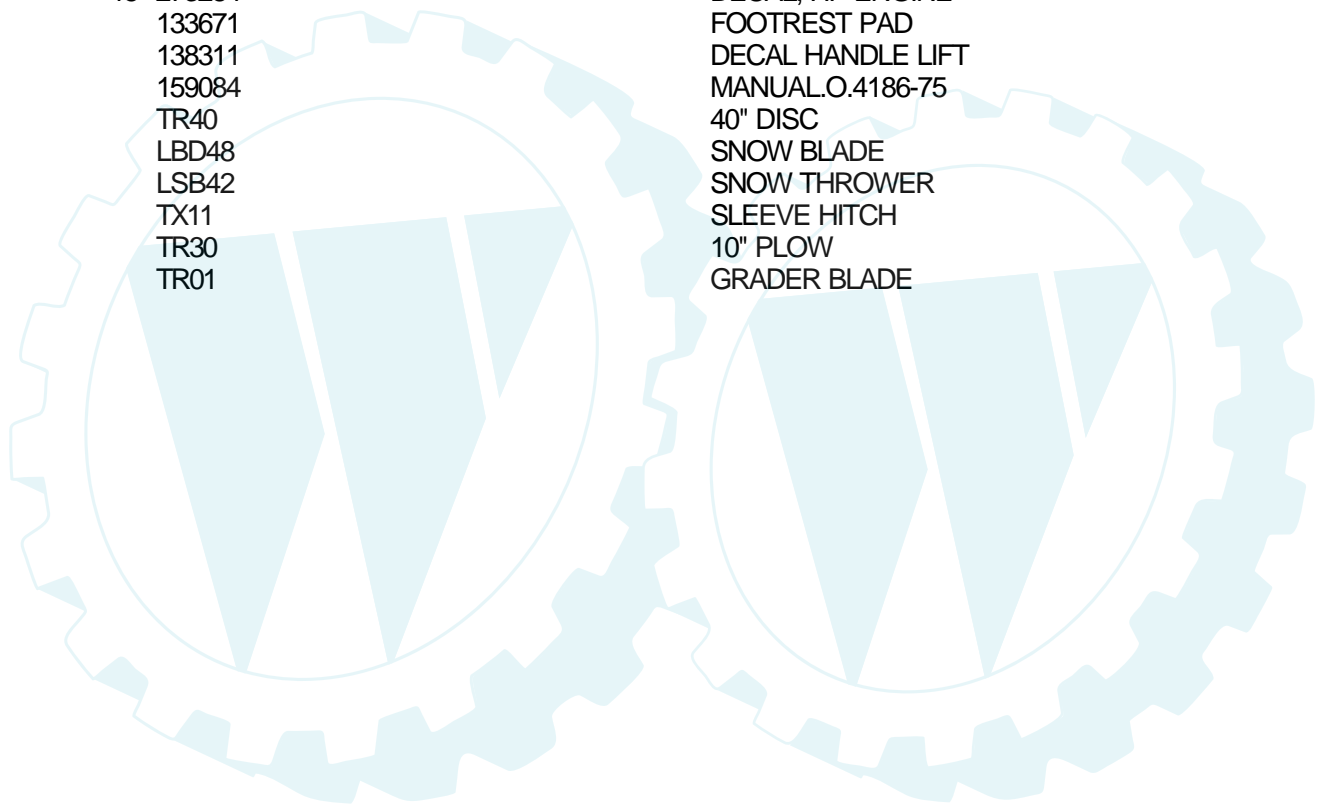


TRACTOR - - MODEL NUMBER 4186-74

DECALS

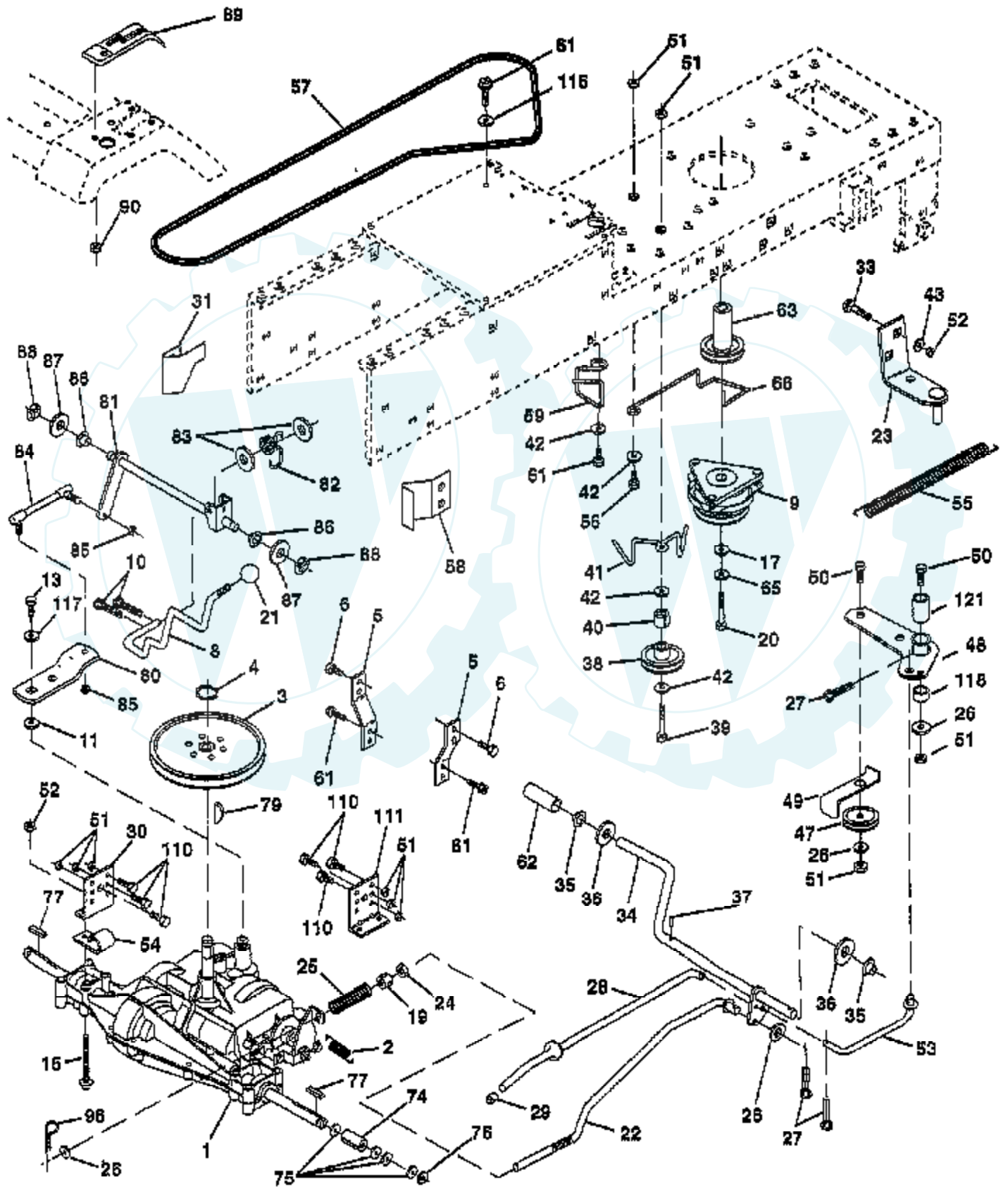


| Ref # | Part Number | Qty | Description |
|-------|-------------|-----|---------------------|
| 2 | 135341 | | GRILL DECAL |
| 3 | 135344 | | HOOD DECAL LH |
| 4 | 135343 | | NLA |
| 5 | 135062 | | NAMEPLATE LOGO |
| 6 | 140837 | | DECAL BRAK PARK |
| 7 | 157002 | | "DECAL DANGER,FEND" |
| 8 | 4900J | | DECAL T |
| 9 | 159374 | | DECAL CHASSIS |
| 10 | 139346 | | "DECAL.V.BELT.44"" |
| 11 | 135619 | | NLA |
| 12 | 156834 | | "DECAL-OPER,GEAR D" |
| 13 | 106202X | | REFLECTOR-TAIL YT |
| 14 | 145005 | | DECAL.BATRY.3-3908 |
| 15 | 273284 | | DECAL, HP ENGINE |
| | 133671 | | FOOTREST PAD |
| | 138311 | | DECAL HANDLE LIFT |
| | 159084 | | MANUAL.O.4186-75 |
| | TR40 | | 40" DISC |
| | LBD48 | | SNOW BLADE |
| | LSB42 | | SNOW THROWER |
| | TX11 | | SLEEVE HITCH |
| | TR30 | | 10" PLOW |
| | TR01 | | GRADER BLADE |



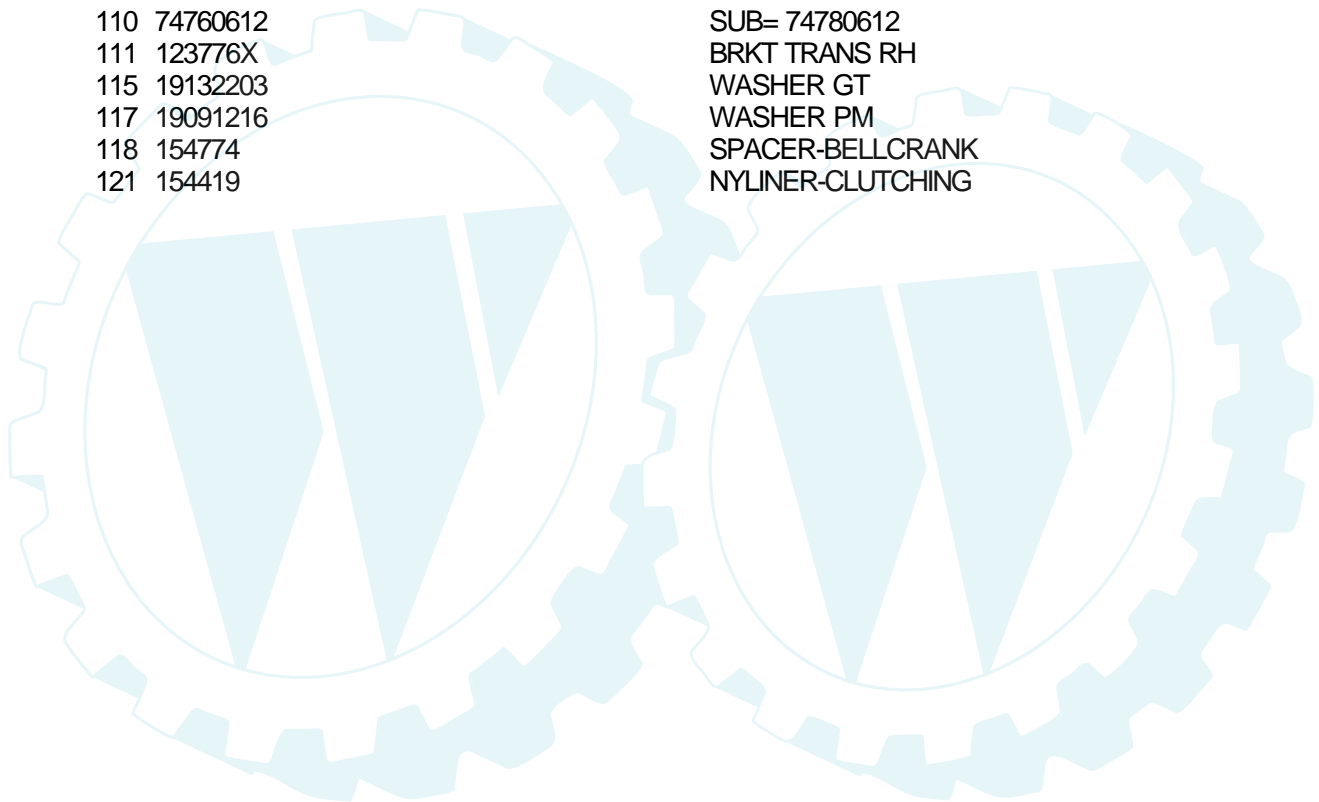
TRACTOR - - MODEL NUMBER 4186-74

DRIVE



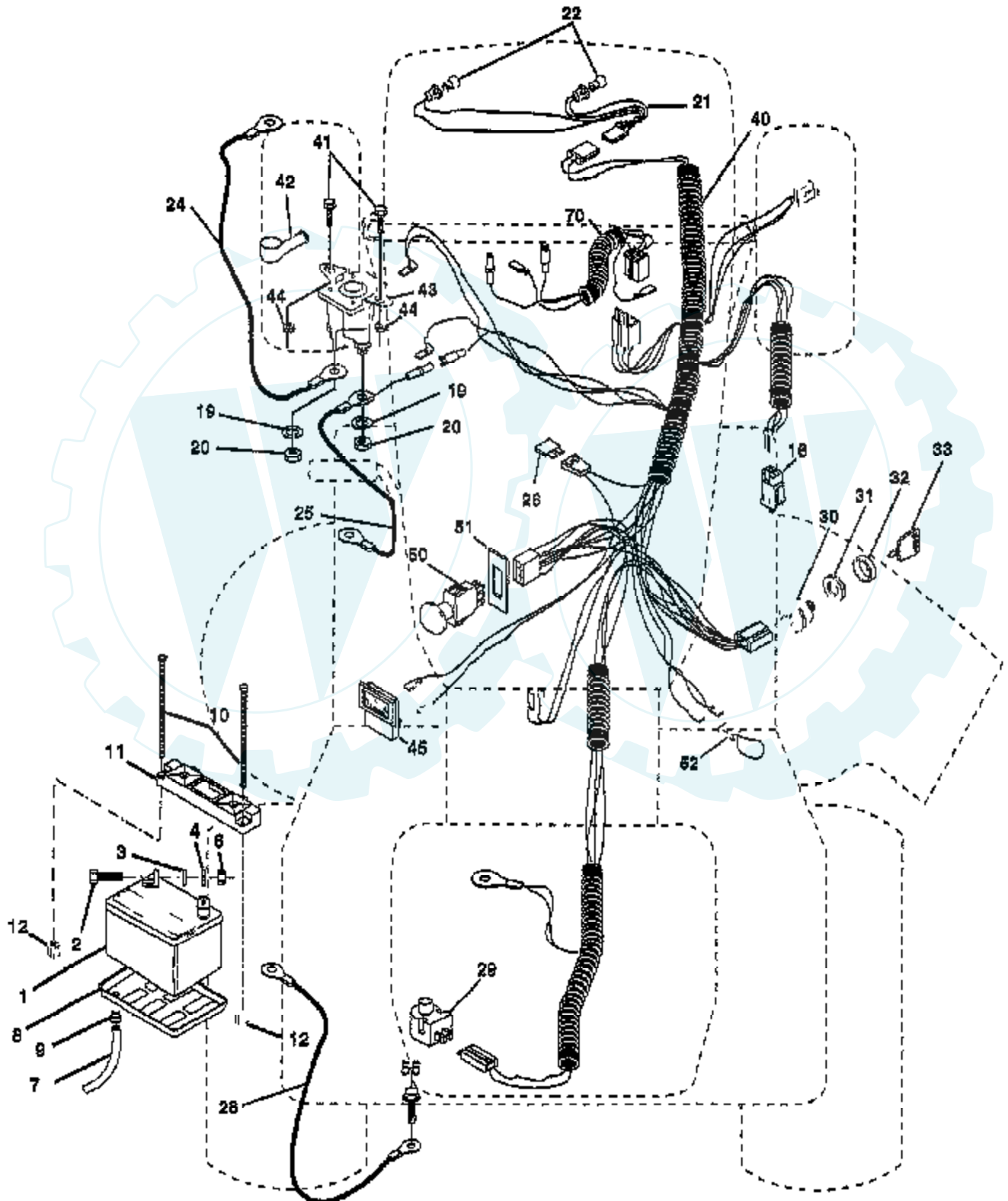
| Ref # | Part Number | Qty | Description |
|-------|-------------|-----|---------------------|
| 1 | 820-016B | | TRANSAXLE |
| 2 | 110422X | | SUB= 146682 |
| 3 | 121327X | | PULLEY TRANSAXLE |
| 4 | 12000004 | | RING |
| 5 | 123787X | | STRAP TORQUE |
| 6 | 17490512 | | SCREW |
| 8 | 141002 | | ROD SHIFT FEND YT |
| 9 | 137140 | | SUB= 142600 |
| 10 | 76020416 | | PIN COTTER 1/8 |
| 11 | 105701X | | WASH-SHFT PLT LT |
| 13 | 74550412 | | BOLT.1/4-28.W/PAT |
| 15 | 74490544 | | BOLT.HX.FLG.5/16 |
| 17 | 126197X | | WASHER |
| 19 | 73800600 | | NUT |
| 20 | 150280 | | BOLT.7/16-20X4.25 |
| 21 | 106933X | | KNOB T (1/2-HOLE) |
| 22 | 145340 | | ROD.ASM.BK.44.MWR |
| 23 | 137141 | | BRACKET.ASM.MTG |
| 24 | 73350600 | | NUT |
| 25 | 126909X | | "SPRING,ROD BRAKE" |
| 26 | 19131316 | | WASHER |
| 27 | 76020412 | | COTTER PIN |
| 28 | 145204 | | ROD.BRAKE.PARK.LT |
| 29 | 71673 | | PLUNGER CAP T |
| 30 | 123780X | | BRKT TRANS LH |
| 31 | 123791X | | KEEPER BELT LH |
| 33 | 72140506 | | BOLT |
| 34 | 155071 | | SHAFT ASM-PEDAL F |
| 35 | 120183X | | NYLON BEARING |
| 36 | 19211616 | | WASHER LT |
| 37 | 1572H | | SUB= 2882J |
| 38 | 123674X | | PULLEY.IDLER.FLAT |
| 39 | 74760644 | | BOLT |
| 40 | 4470J | | SPACER T |
| 41 | 154777 | | SUB= 165692 |
| 42 | 19131312 | | WASHER |
| 43 | 19111012 | | WASHER T |
| 47 | 127783 | | SUB= 139245 |
| 48 | 154604 | | BELLCRANK ASM |
| 49 | 123205X | | RETAIN BELT |
| 50 | 74760624 | | SUB= 74930624 |
| 51 | 73680600 | | SUB= 73690600 |
| 52 | 73680500 | | SUB= 73690500 |
| 53 | 105710X | | "LINK, CLUTCH T" |
| 54 | 126471X | | "CLIP,INSULATOR" |
| 55 | 105709X | | "SPRING, RETURN LT" |
| 56 | 74760620 | | SUB= 74780620 |
| 57 | 123796X | | BELT.GRDRV.94.75 |
| 58 | 123792X | | "KEEPER,BELT RH" |
| 59 | 140312 | | KEEPER BELT CNTSP |
| 61 | 17490612 | | SCREW |
| 62 | 8883R | | PEDAL COVER T |
| 63 | 136906 | | PULLEY ENGINE |
| 65 | 10040700 | | LOCKWASHER |
| 66 | 154778 | | KEEPER-BELT |
| 74 | 108097X | | SPACER HYT |
| 75 | 123800X | | WASHER |
| 76 | 12000053 | | E RING HYT |

| Ref # | Part Number | Qty | Description |
|-------|-------------|-----|---------------------|
| 77 | 9396E | | SQ KEY STD |
| 79 | 2228M | | SUB= 2228M1 |
| 80 | 123794X | | "ARM,SHIFT" |
| 81 | 123772X | | "SHAFT,SHIFTER" |
| 82 | 123782X | | "SPRING,TORSION" |
| 83 | 19171216 | | WASHER |
| 84 | 155189 | | "ROD LINK,SHIFT AD" |
| 85 | 150360 | | NUT.CNT.LOCK.1/4 |
| 86 | 71208 | | BUSHING |
| 87 | 19212016 | | WASHER D |
| 88 | 12000008 | | KLIP RING |
| 89 | 139992 | | CONSOLE SHIFTER |
| 90 | 124346X | | NUT |
| 96 | 4497H | | RETAINER M |
| 110 | 74760612 | | SUB= 74780612 |
| 111 | 123776X | | BRKT TRANS RH |
| 115 | 19132203 | | WASHER GT |
| 117 | 19091216 | | WASHER PM |
| 118 | 154774 | | SPACER-BELLCRANK |
| 121 | 154419 | | NYLINER-CLUTCHING |



TRACTOR - - MODEL NUMBER 4186-74

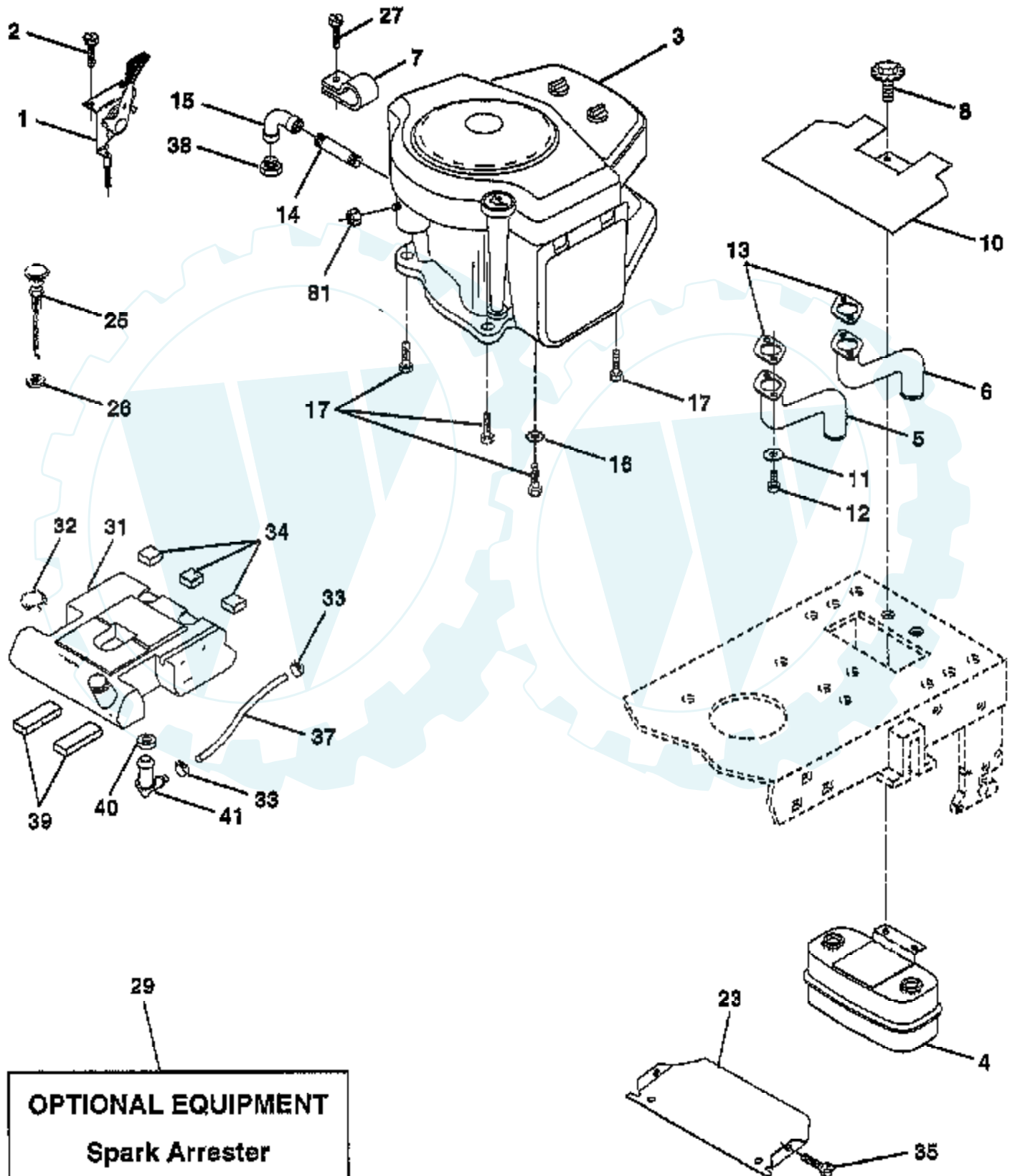
ELECTRICAL



| Ref # | Part Number | Qty | Description |
|-------|-------------|-----|---------------------|
| 1 | 144926 | | SUB= 123899X |
| 2 | 74760412 | | BOLT LT |
| 3 | 19091016 | | WASHER |
| 4 | 10040400 | | LOCKWASHER |
| 6 | 73220400 | | SUB= 50675 |
| 7 | 7697J | | "DRAIN TU T, BATT" |
| 8 | 7603J | | "TRAY T, BATTERY" |
| 9 | 109596X | | HOSE CLAMP T |
| 10 | 145211 | | SUB= 150177 |
| 11 | 150109 | | HOLDDOWN BATTERY |
| 12 | 145769 | | SUB= 150177 |
| 16 | 153664 | | SWITCH INTERLOCK |
| 19 | 10090400 | | SUB= 10040400 |
| 20 | 73350400 | | NUT |
| 21 | 136850 | | "HARNES, LIGHT SOC" |
| 22 | 4152J | | HEADLAMP BULB |
| 24 | 4799J | | "CABLE T, BATTERY" |
| 25 | 146148 | | CABLE.6GA.22W/16W |
| 26 | 108824X | | FUSE HYT |
| 28 | 145491 | | CABLE.GRND.6GA.21 |
| 29 | 121305X | | SWITCH SEAT |
| 30 | 140301 | | SWITCH IGN 4POS |
| 31 | 124211X | | NUT IGNITION |
| 32 | 141226 | | COVER KEY SWITCH |
| 33 | 122147X | | KEY |
| 40 | 156153 | | HARNES IGNITION |
| 41 | 71110408 | | BOLT HXHD FIN |
| 42 | 131563 | | SUB= 154336 |
| 43 | 145673 | | SUB= 146154 |
| 44 | 73640400 | | NUT HXKEP 1/4X20 |
| 45 | 122822X | | AMMETER |
| 50 | 154959 | | PTO SWITCH.BLK |
| 51 | 140405 | | RING RETAIN PTO |
| 52 | 141940 | | PROTECTION LOOP |
| 55 | 17490508 | | SCREW LT |
| 70 | 143906 | | HARNES ENG B&S |

TRACTOR - - MODEL NUMBER 4186-74

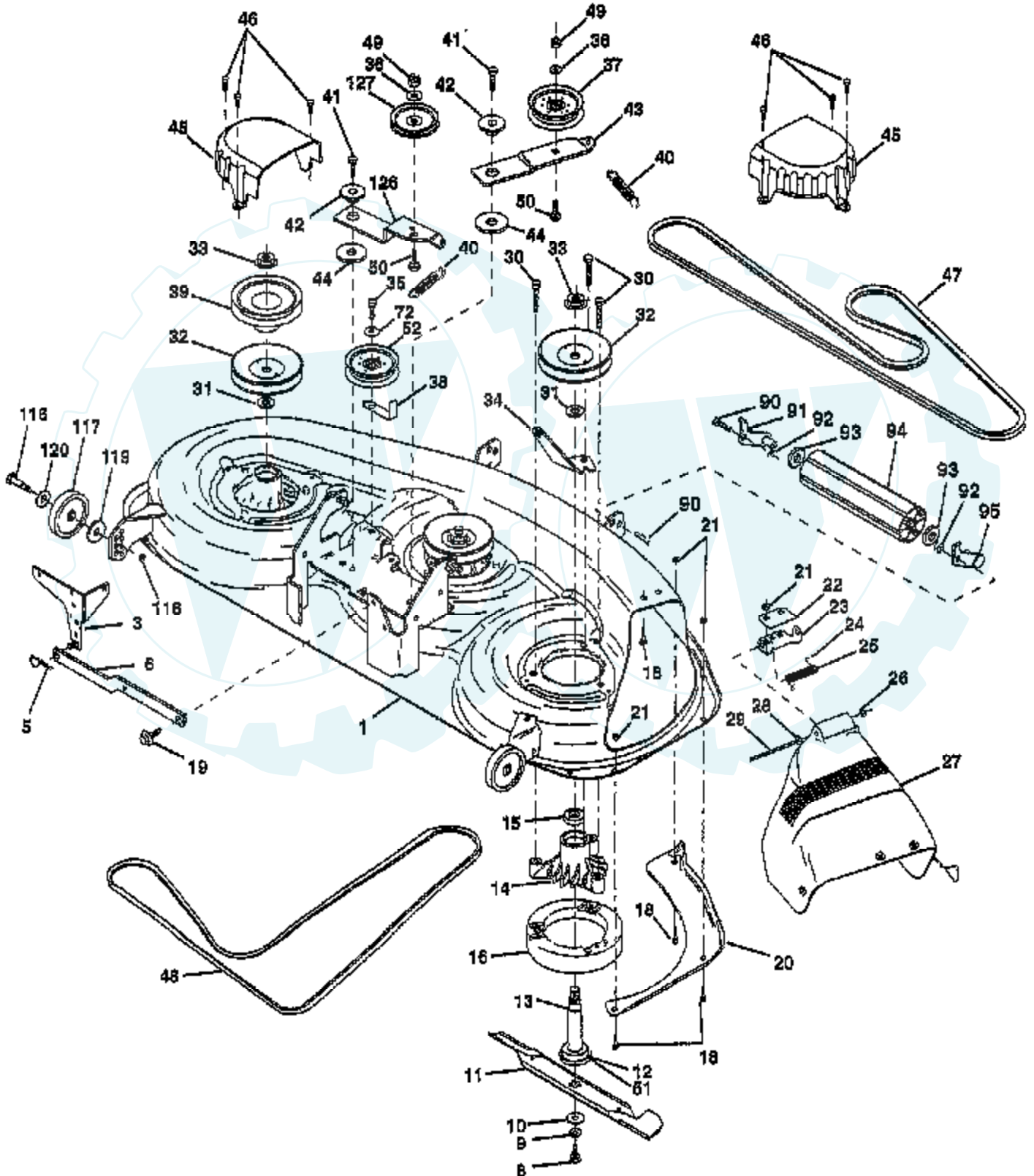
ENGINE



| Ref # | Part Number | Qty | Description |
|-------|-------------|-----|---------------------|
| 1 | 132748 | | SUB= 532132748 |
| 2 | 17720410 | | SCREW LT |
| 3 | 42A777 | | ENGINE |
| 4 | 149723 | | MUFFLER.TW.LOTONE |
| 5 | 144069 | | EXHAUST.B&S.18.LH |
| 6 | 144068 | | EXHAUST.B&S.18.RH |
| 7 | 138129 | | CLAMP.TUBE.DBL.EN |
| 8 | 150176 | | BOLT.5/16-18.UNC |
| 10 | 145552 | | SHIELD.HEAT. |
| 11 | | | REFER TO IMAGE |
| 12 | | | REFER TO IMAGE |
| 13 | | | REFER TO IMAGE |
| 14 | 13280336 | | PIPE NIPPLE LT |
| 15 | 13200300 | | ELBOW |
| 16 | 11050600 | | LOCKWASHER |
| 17 | 17490624 | | SCREW LT |
| 23 | 156123 | | SHIELD-HEAT |
| 25 | 138672 | | "CONTROL.CHOKE.51"" |
| 26 | 73920600 | | "NUT,KEPS 3/8-24IM" |
| 27 | 152927 | | "SCREW-TT,10-32 FL" |
| 29 | 137180 | | SUB= 532137180 |
| 31 | 151346 | | TANK FUEL REAR |
| 32 | 140527 | | CAP ASM FUEL |
| 33 | 123487X | | HOSE CLAMP |
| 34 | 106082X | | PAD-SPACER LT |
| 35 | 17490512 | | SCREW |
| 37 | 8543R | | FUEL LINE T |
| 38 | | | REFER TO IMAGE |
| 39 | 109227X | | PAD IDLER TI |
| 40 | 3645J | | BUSHING OUTLET T |
| 41 | 139277 | | STEM.TANK.FUEL |
| 81 | 128861 | | NUT |

TRACTOR - - MODEL NUMBER 4186-74

MOWER DECK



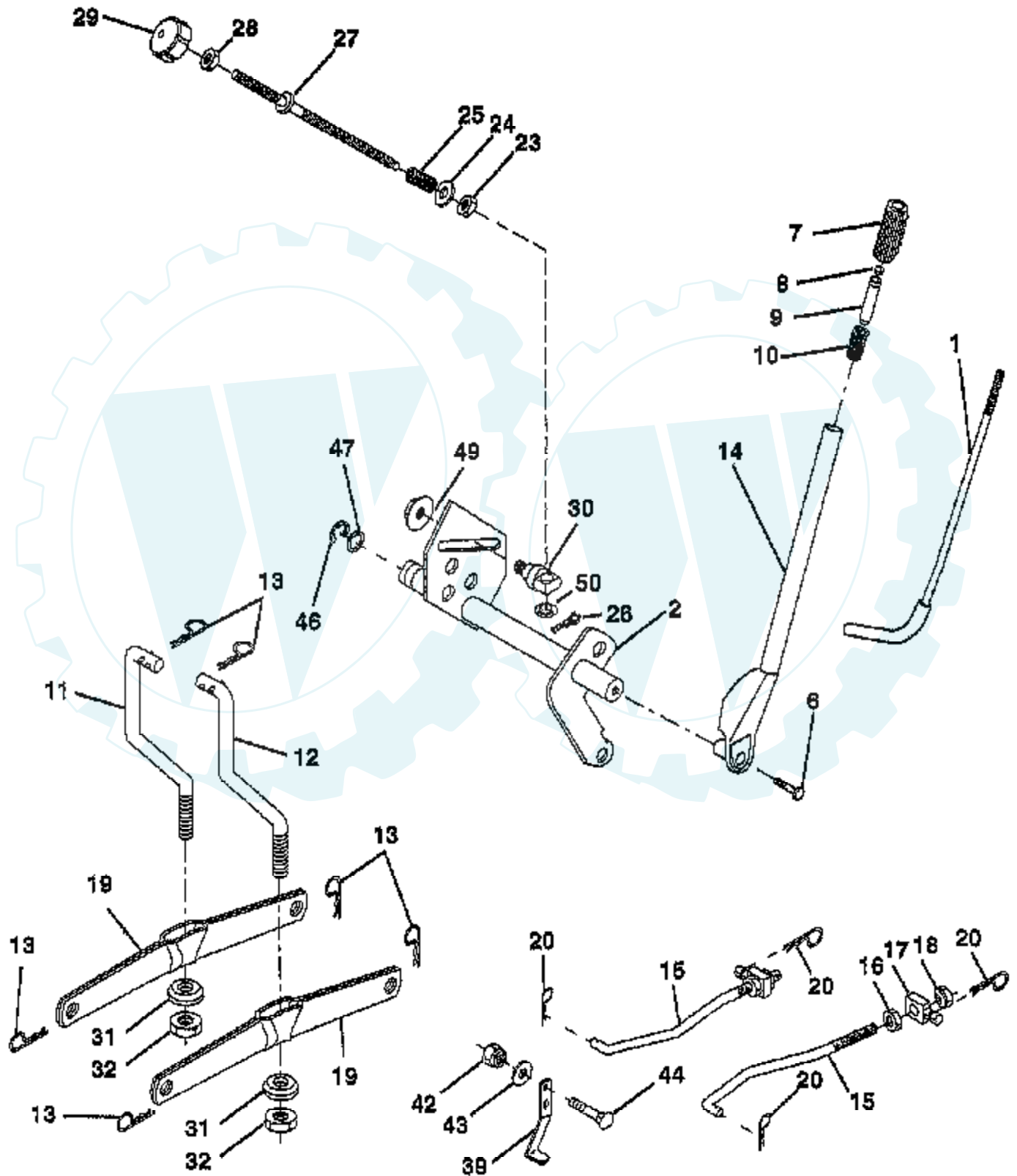
| Ref # | Part Number | Qty | Description |
|-------|-------------|-----|----------------------|
| 1 | 156948 | | "MOWER ASM 46"" |
| 3 | 138457 | | BRKT.ASM.SW.44/50 |
| 5 | 4939M | | SUB= 85902 |
| 6 | 130832 | | SUB= 130833 |
| 8 | 850857 | | BLADE BOLT |
| 9 | 10030600 | | SUB= 10040600 |
| 10 | 140296 | | WASHER.HARD.BLADE |
| 11 | 157353 | | SUB= 159705 |
| 12 | 129895 | | BEARING.BALL |
| 13 | 137553 | | SHAFT.ASM.W/BRNG |
| 14 | 137152 | | HOUSING.MAND.44.V |
| 15 | 110485X | | BEARING |
| 16 | 140329 | | STRIPPER RND MWR |
| 18 | 72140505 | | BOLT |
| 19 | 132827 | | BOLT SHD 5/16-18 |
| 20 | 145055 | | BAFFLE.VORTEX.46 |
| 21 | 73680500 | | SUB= 73690500 |
| 22 | 134753 | | STIFFENER BRKT |
| 23 | 131267 | | DEFLECTOR BRKT |
| 24 | 105304X | | CAP-SLEEVE LT |
| 25 | 123713X | | SPRING TORSION |
| 26 | 110452X | | NUT PUSH M |
| 27 | 157788 | | SHIELD DEFLECTOR |
| 28 | 19111016 | | WASHER |
| 29 | 131491 | | HINGE ROD |
| 30 | 138776 | | SUB= 157722 |
| 31 | 129963 | | WASHER |
| 32 | 153531 | | PULLEY.MAND.36/46 |
| 33 | 137266 | | SUB= 139729 |
| 34 | 144945 | | ANCHOR.SPRING.46 |
| 35 | 17490628 | | SCREW LT |
| 36 | 19131316 | | WASHER |
| 37 | 131494 | | FLAT IDLER PULLEY |
| 38 | 156086 | | "KEEPER BELT,IDLER" |
| 39 | 144917 | | PULLEY.DRV.DCK.46 |
| 40 | 137273 | | "SPRING.SEC.44""VEN" |
| 41 | 17490620 | | SCREW |
| 42 | 122052X | | SPACER RETAINER |
| 43 | 144949 | | ARM.IDLER.DECK.46 |
| 44 | 133943 | | HARDENED WASHER |
| 45 | 145059 | | COVER.MANDREL.46 |
| 46 | 137729 | | SCREW.1/4-20X5/8 |
| 47 | 144959 | | BELT-V.SEC.46.KEL |
| 48 | 139573 | | BELT V PRIM 50 |
| 49 | 73680600 | | SUB= 73690600 |
| 50 | 72110612 | | BOLT.3/8-16X1.50 |
| 51 | 153390 | | WASHER.FELT. |
| 52 | 156493 | | "PULLEY IDLER,FLAT" |
| 72 | 19131616 | | WASHER HYT |
| 90 | 74760616 | | BOLT |
| 91 | 132274 | | SUB= 532132274 |
| 92 | 73800600 | | NUT |
| 93 | 19171416 | | WASHER |
| 94 | 132264 | | SUB= 532132264 |
| 95 | 132273 | | SUB= 532132273 |
| 116 | 4898H | | BOLT M |
| 117 | 105455X | | WHEEL GAGE BLK.PL |
| 118 | 73930600 | | LOCKNUT |

| Ref # | Part Number | Qty | Description |
|-------|-------------|-----|-------------------|
| 119 | 19121414 | | WASHER |
| 120 | 19171512 | | WASHER |
| 126 | 144948 | | ARM.IDLER.PRIM.46 |
| 127 | 146763 | | PULLEY.IDLER.4.25 |
| | 143651 | | MANDREL SERV ASM |
| | 157251 | | MOWER SERV DECK46 |



TRACTOR -- MODEL NUMBER 4186-74

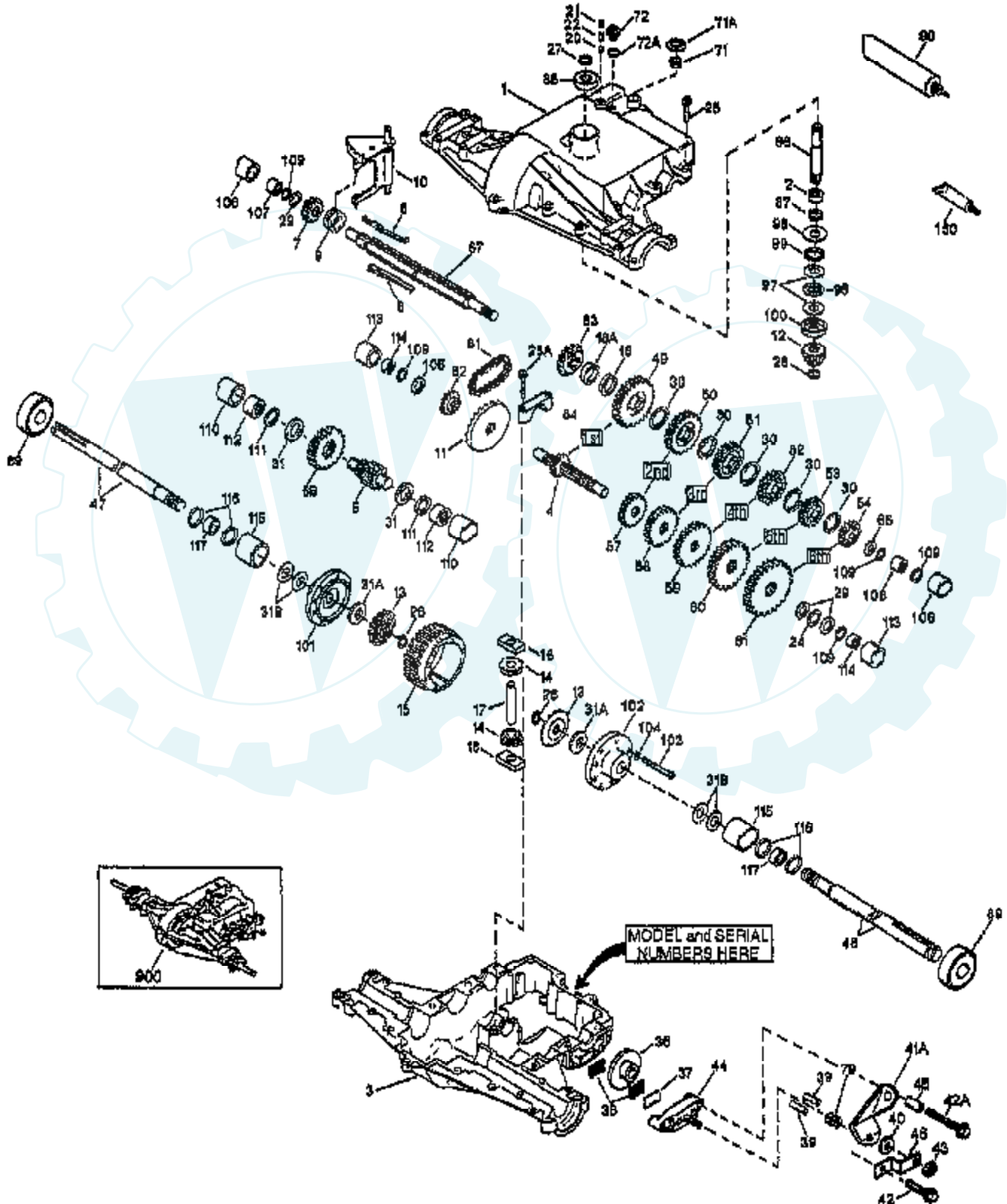
MOWER LIFT



| Ref # | Part Number | Qty | Description |
|-------|-------------|-----|-------------------|
| 1 | 121006X | | LEVER ROD LT |
| 2 | 140673 | | SHAFT LIFT W/IND |
| 6 | 74780624 | | "BOLT,HEX" |
| 7 | 109413X | | GRIP |
| 8 | 124526X | | SUB= 125925X |
| 9 | 122364X | | SUB= 125925X |
| 10 | 2876H | | SPRING T |
| 11 | 145537 | | LINK.LIFT.LH.GTV |
| 12 | 145536 | | LINK.LIFT.RH.GTV. |
| 13 | 4939M | | SUB= 85902 |
| 14 | 121002X | | SUB= 123096X |
| 15 | 127218 | | LINK.FRONT |
| 16 | 73350800 | | NUT |
| 17 | 130171 | | TRUNION |
| 18 | 73800800 | | NUT.LK.W/WSH.1/2. |
| 19 | 139868 | | ARM SUSP REAR |
| 20 | 3146R | | RETAINER.SPRING |
| 23 | 110807X | | NUT T |
| 24 | 19131016 | | WASHER |
| 25 | 137150 | | SPRING.COMP.INF.H |
| 26 | 76020308 | | SUB= 3145 |
| 27 | 137167 | | ROD.ADJ.LIFT |
| 28 | 73350600 | | NUT |
| 29 | 138057 | | KNOB INF 3/8-16 |
| 30 | 150233 | | TRUNNION |
| 31 | 140302 | | BEARING PVT LH |
| 32 | 73540600 | | NUT.CROWNLOCK.3/8 |
| 39 | 142992 | | STOP.OVER.CENTER |
| 42 | 73680600 | | SUB= 73690600 |
| 43 | 19131612 | | WASHER GT |
| 44 | 72240608 | | BOLT |
| 46 | 12000022 | | E-RING |
| 47 | 19292016 | | WASHER |
| 49 | 145212 | | NUT.HXFLG.LOCK. |
| 50 | 110452X | | NUT PUSH M |

TRACTOR -- MODEL NUMBER 4180-74

PEERLESS TRANSAXLE - MODEL NUMBER P820-018B

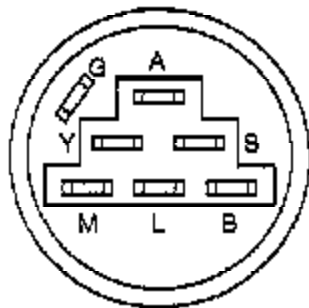
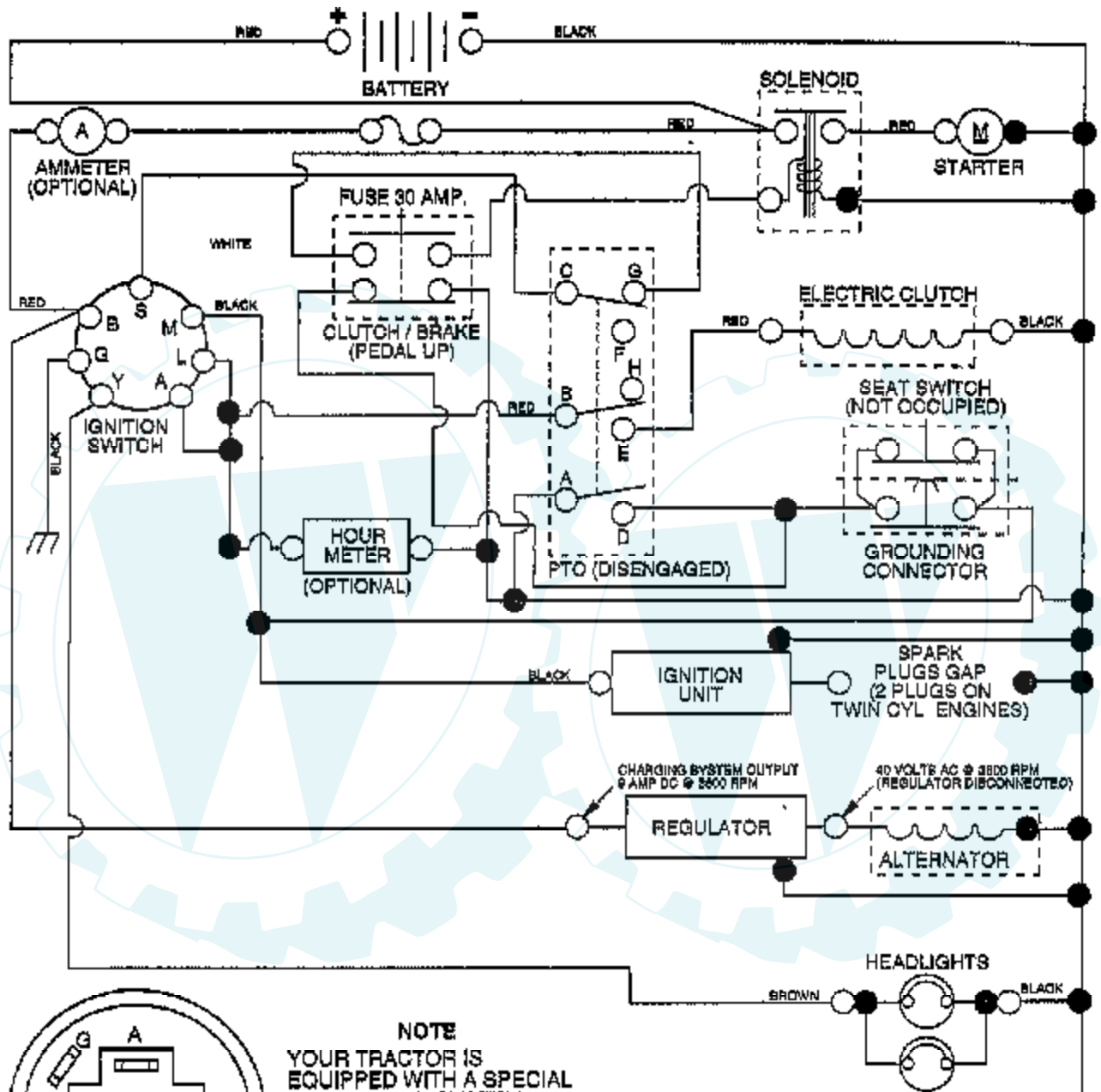


| Ref # | Part Number | Qty | Description |
|-------|-------------|-----|------------------------------|
| | 794513 | | TRANSAXLE, COMPLETE |
| 1 | 772098A | | COVER TRANSAXLE |
| 2 | 780155 | | BEARING NEEDLE |
| 3 | 770088 | | CASE TRANSAXLE |
| 4 | 776291 | | SHAFT COUNTER |
| 5 | 776275 | | SHAFT, OUTPUT, 9T |
| 6 | 778247 | | GEAR, OUTPUT, 35T |
| 7 | 778253 | | GEAR, SPUR, 15T |
| 8 | 792138 | | KEY |
| 9 | 784216 | | COLLAR SHIFT |
| 10 | 784342 | | ROD AND FORK ASSY SHIFT |
| 11 | 778246 | | GEAR BEVEL, 33T |
| 12 | 778245 | | BEVEL PINION, 13T |
| 13 | 778198 | | GEAR BEVEL |
| 14 | 778197 | | PINION, 10T |
| 15 | 778248 | | GEAR, RING, 31T |
| 16 | 786027 | | BLOCK DRIVE |
| 17 | 786019 | | PIN DRIVE |
| 18 | 786121 | | SPACER, .350/.340 THICK |
| 18A | 786122 | | SPACER, .276/.268 THICK |
| 20 | 792077 | | BALL STEEL, 5/16" DIA. |
| 21 | 792078 | | SCREW, 3/8-16 X 3/8" |
| 22 | 792079 | | SPRING |
| 24 | 780071 | | THRUST BEARING |
| 25 | 792129 | | SCREW HEX HD 5/16-18 X 1-1/4 |
| 25A | 792073 | | SCREW, 1/4-20 X 1-1/4 |
| 26 | 792018 | | RING STRAP |
| 27 | 792018 | | RING STRAP |
| 28 | 788040 | | RETAINING RING |
| 29 | 780072 | | WASHER THRUST |
| 30 | 780108 | | WASHER THRUST |
| 31 | 780128 | | WASHER THRUST |
| 31A | 780107 | | WASHER |
| 31B | 780042 | | WASHER THRUST |
| 36 | 790043 | | DISK BRAKE |
| 37 | 790007 | | PLATE BRAKE PAD |
| 38 | 799021 | | BRAKE PAD |
| 39 | 786026 | | PIN DOWEL |
| 40 | 792076A | | WASHER |
| 41 | 790047 | | LEVER BRAKE |
| 42 | 792073 | | SCREW, 1/4-20 X 1-1/4 |
| 42A | 792085A | | SCREW, 1/4-20 X 2-1/4 |
| 43 | 792075 | | LOCKNUT 5/16-24 |
| 44 | 790025 | | HOLDER BRAKE PAD |
| 45 | 786067 | | SPACER |
| 46 | 786086 | | BRKT BRAKE LEVER |
| 47 | 774832 | | AXLE, 12-5/16" LONG |
| 48 | 774831 | | AXLE, 16-3/16" LONG |
| 49 | 778216A | | GEAR, SPUR, 41T |
| 50 | 778206A | | GEAR, SPUR, 35T |
| 51 | 778205A | | GEAR, SPUR, 30T |
| 52 | 778204A | | GEAR, SPUR, 25T |
| 53 | 778203A | | GEAR, SPUR, 22T |
| 54 | 778273 | | GEAR, SPUR, 19T |
| 57 | 778199 | | GEAR, SPUR, 15T |
| 58 | 778200 | | GEAR, SPUR, 20T |
| 59 | 778201 | | GEAR, SPUR, 25T |
| 60 | 778202 | | GEAR, SPUR, 28T |

| Ref # | Part Number | Qty | Description |
|-------|-------------|-----|-----------------------------|
| 61 | 778208 | | GEAR, SPUR, 31T |
| 65 | 780139 | | WASHER |
| 66 | 776274 | | SHAFT INPUT |
| 67 | 776313 | | SHAFT BRAKE |
| 71 | 788069 | | SEAL SQUARE CUT |
| 71A | 792145 | | PUSHNUT |
| 72 | 792165 | | THREADED PLUG 9/16-18 |
| 72A | 788091 | | "O" RING |
| 79 | 792144 | | SPRING |
| 81 | 786081 | | CHAIN, ROLLER |
| 82 | 786082 | | SPROCKET 9T |
| 83 | 786123 | | SPROCKET 18T (REV) |
| 84 | 786131 | | BEARING CAP |
| 87 | 788042 | | OIL SEAL 3/4 |
| 88 | 780119 | | BEARING BALL |
| 89 | 780050 | | BEARING BALL |
| 90 | 788067B | | GREASE BENTONITE, 32 OZ. |
| 96 | 780084 | | BEARING THRUST |
| 97 | 780051 | | WASHER THRUST |
| 98 | 780165 | | WASHER |
| 99 | 788077 | | "O" RING |
| 100 | 780166 | | WASHER CUPPED |
| 101 | 774833 | | CARRIER DIFF THREADED HOLES |
| 102 | 774834 | | CARRIER DIFF |
| 103 | 792020 | | SCREW, 1/4-20 X 2-1/4 |
| 104 | 792006 | | WASHER LOCK 1/4 |
| 105 | 780153 | | WASHER |
| 106 | 786144 | | SLEEVE |
| 107 | 780152 | | BEARING NEEDLE |
| 108 | 780150 | | BEARING NEEDLE |
| 109 | 792001 | | "O" RING |
| 110 | 786142 | | SLEEVE STEPPED |
| 111 | 788071 | | RING SQ CUT |
| 112 | 780168 | | BEARING NEEDLE CAPPED |
| 113 | 786143 | | SLEEVE STEPPED |
| 114 | 780151 | | BEARING NEEDLE CAPPED |
| 115 | 786145 | | SLEEVE STEPPED |
| 116 | 788070 | | RING SQ CUT |
| 117 | 780031 | | BEARING NEEDLE |
| 150 | 788093 | | GASKET ELIMINIATOR |
| 900 | 794513 | | TRANSAXLE, COMPLETE |

TRACTOR - - MODEL NUMBER 4186-74

SCHEMATIC



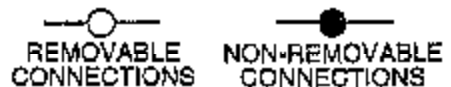
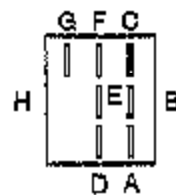
IGNITION SWITCH

| POSITION | CIRCUIT | "MAKES" |
|-----------|-----------|---------|
| OFF | G + M + L | NONE |
| RUN/LIGHT | B + L | A + Y |
| RUN | B + L | NONE |
| START | B + L + S | NONE |

NOTE
YOUR TRACTOR IS EQUIPPED WITH A SPECIAL ALTERNATOR SYSTEM THE LIGHTS ARE NOT CONNECTED TO THE BATTERY, BUT HAVE THEIR OWN ELECTRICAL SOURCE BECAUSE OF THIS, THE BRIGHTNESS OF THE LIGHTS WILL CHANGE WITH ENGINE SPEED, AT IDLE THE LIGHTS WILL DIM AS THE ENGINE IS SPEEDED UP, THE LIGHTS WILL BECOME THEIR BRIGHTEST.

PTO SWITCH

| POSITION | CIRCUIT |
|----------|---------------------|
| OFF | C + G, B + H |
| ON | C + P, B + E, A + D |

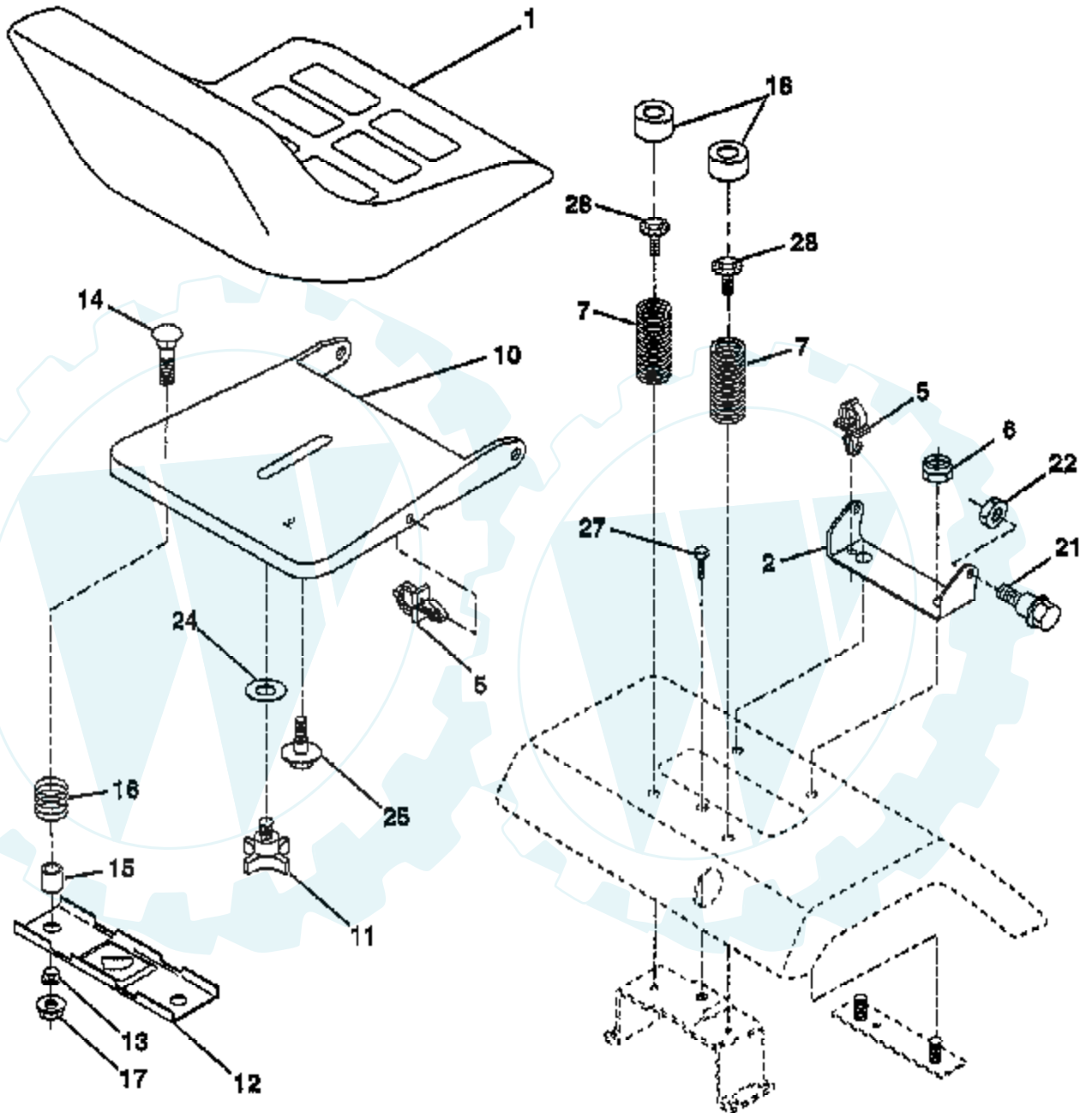


WIRING INSULATED CLIPS

NOTE: IF WIRING INSULATED CLIPS WERE REMOVED FOR SERVICING OF UNIT, THEY SHOULD BE REPLACED TO PROPERLY SECURE YOUR WIRING.

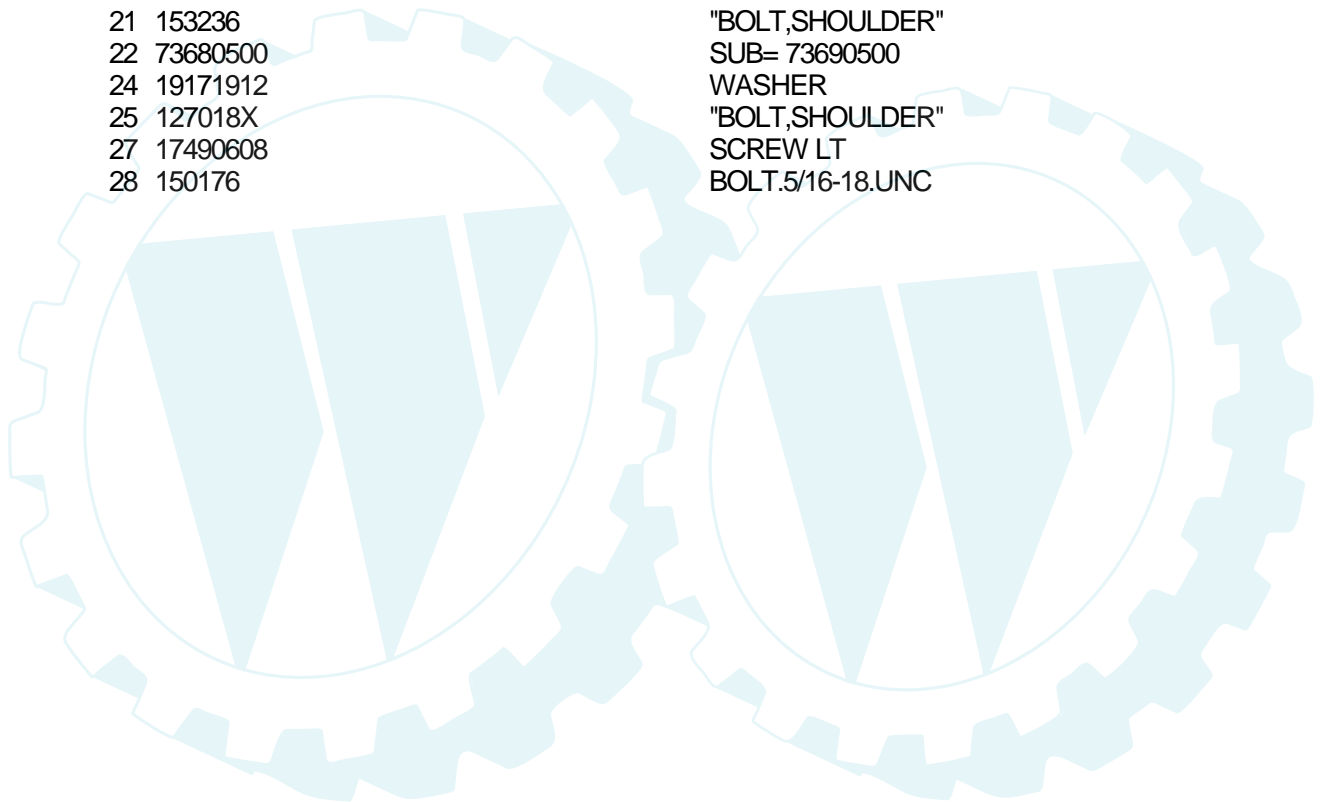
TRACTOR - - MODEL NUMBER 4186-74

SEAT ASSEMBLY



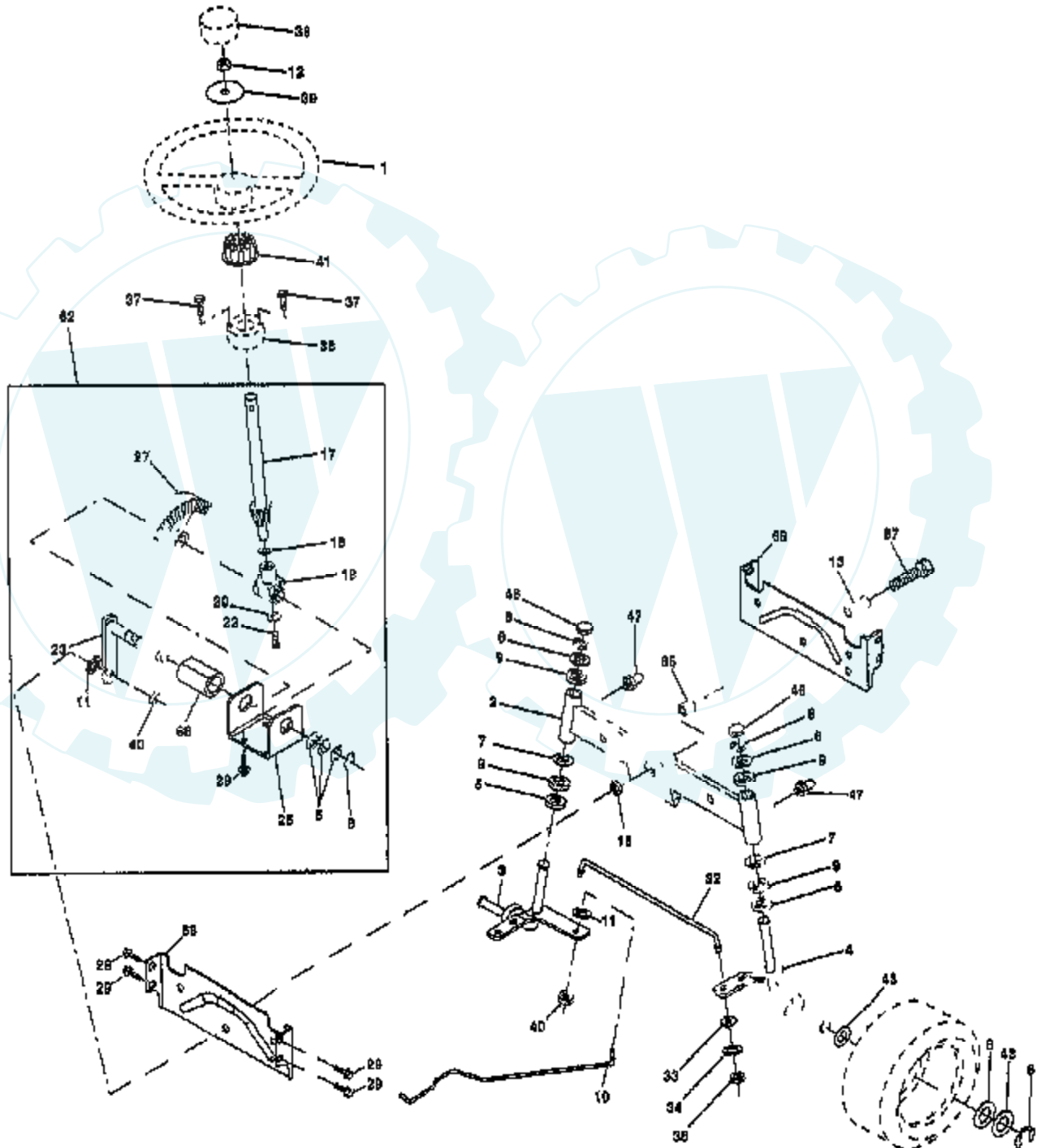
NOTE: All component dimensions given in U.S. Inches
1 Inch = 25.4 mm

| Ref # | Part Number | Qty | Description |
|-------|-------------|-----|-------------------|
| 1 | 127429X | | SUB= 140121 |
| 2 | 140551 | | BRACKET PVT SEAT |
| 5 | 145006 | | CLIP.PUSH-IN.HING |
| 6 | 73800600 | | NUT |
| 7 | 124181X | | SPRING COMPRESSIO |
| 10 | 155925 | | PAN-SEAT |
| 11 | 120068X | | "KNOB 1/2"" YT" |
| 12 | 121246X | | BRKT SWITCH |
| 13 | 121248X | | BUSHING |
| 14 | 72050411 | | SUB= 872050411 |
| 15 | 121249X | | SPACER SPLIT |
| 16 | 123740X | | SPRING COMPRESSED |
| 17 | 123976X | | SUB= 73900400 |
| 18 | 124238X | | CAP SPRING |
| 21 | 153236 | | "BOLT,SHOULDER" |
| 22 | 73680500 | | SUB= 73690500 |
| 24 | 19171912 | | WASHER |
| 25 | 127018X | | "BOLT,SHOULDER" |
| 27 | 17490608 | | SCREW LT |
| 28 | 150176 | | BOLT.5/16-18.UNC |



TRACTOR - - MODEL NUMBER 4186-74

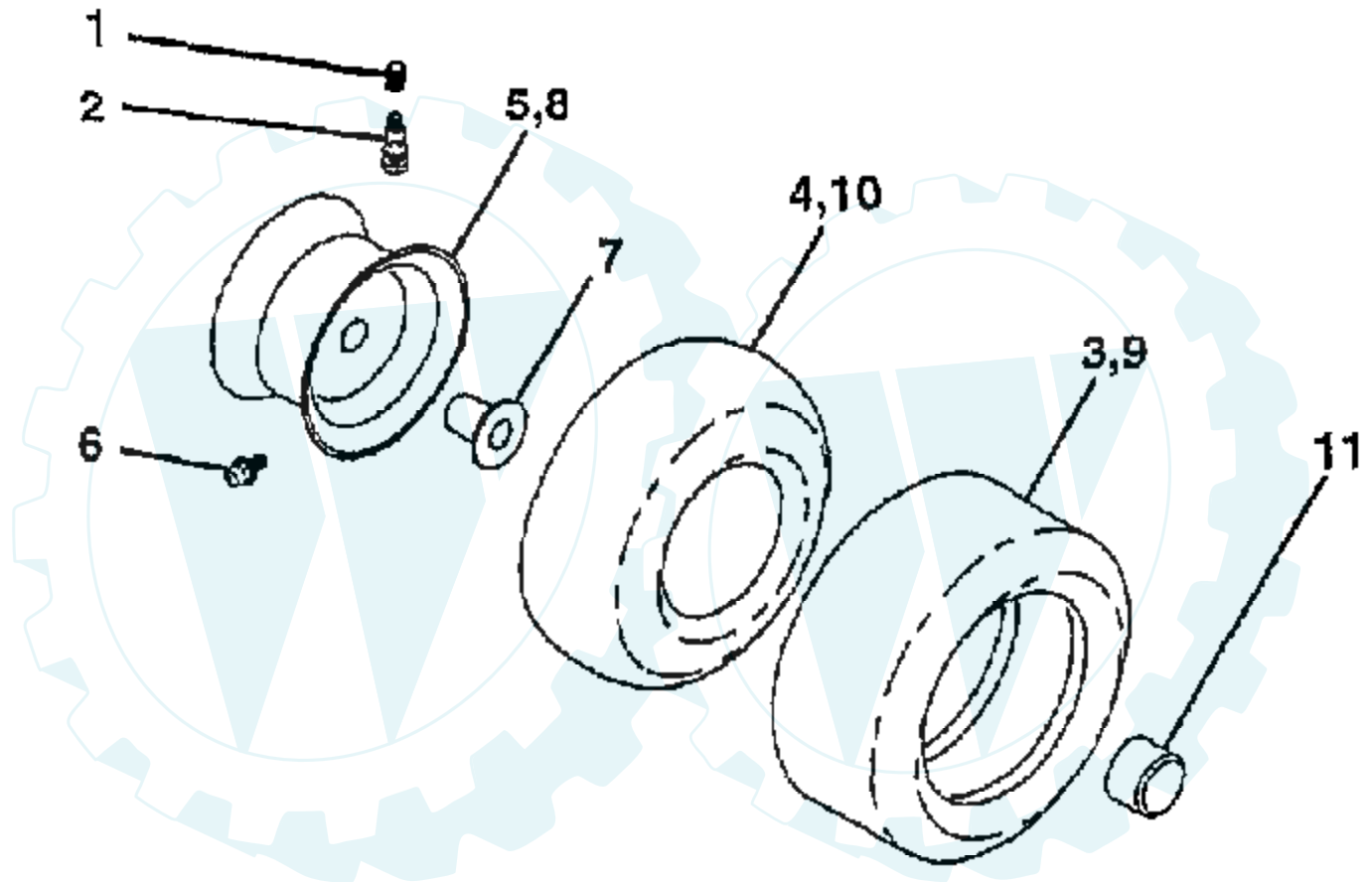
STEERING ASSEMBLY



| Ref # | Part Number | Qty | Description |
|-------|-------------|-----|---------------------|
| 1 | 121472X | | SUB= 150546 |
| 2 | 154427 | | AXLE ASM |
| 3 | 154422 | | SUB= 156483 |
| 4 | 154423 | | SUB= 157473 |
| 5 | 6266H | | WASHER .T |
| 6 | 121748X | | WASHER |
| 7 | 19272016 | | WASHER |
| 8 | 12000029 | | RING |
| 9 | 3366R | | COL. SRTG. BEAR. |
| 10 | 156438 | | DRAGLINK-STAMPED |
| 11 | 10040600 | | LOCKWASHER |
| 12 | 73940800 | | SUB= 73360800 |
| 13 | 154779 | | BEARING AXLE |
| 15 | 73901000 | | "NUT-LOC,FLANGE LT" |
| 17 | 156544 | | STEERING SHAFT |
| 18 | 57079 | | THRUST WASHER |
| 19 | 124035X | | SUPPORT.SHAFT |
| 20 | 126684X | | SUB= 532126684 |
| 22 | 71200410 | | SCREW HEX SOC1/4- |
| 23 | 127501 | | SUB= 918127501 |
| 25 | 154406 | | BRKT-STEERING |
| 27 | 136874 | | GEAR SECTOR |
| 29 | 17490612 | | SCREW |
| 32 | 139929 | | ROD.TIE.19.75 |
| 33 | 19111216 | | WASHER M |
| 34 | 10040500 | | LOCKWASHER |
| 35 | 73810500 | | NUT.LOCK.5/16-24 |
| 36 | 145207 | | BUSHING.STRG.3/4 |
| 37 | 152927 | | "SCREW-TT,10-32 FL" |
| 38 | 126805X | | "INSERT,STR WHEEL" |
| 39 | 100712K | | WASHER |
| 40 | 7810H | | GRIPCO NUT |
| 41 | 100711L | | ADAPTER LT |
| 43 | 121749X | | WASHER |
| 46 | 121232X | | CAP |
| 47 | 6855M | | ZERK M |
| 56 | 19131210 | | WASHER |
| 62 | 156596 | | STEERING KIT |
| 65 | 154780 | | SPACER AXLE |
| 66 | 154404 | | "BEARING-ARM,PITMA" |
| 67 | 74781044 | | BOLT |
| 68 | 154429 | | BRACE AXLE |

TRACTOR - - MODEL NUMBER 4186-74

WHEELS & TIRES



NOTE: All component dimensions given in U.S. inches
1 inch = 25.4 mm

| Ref # | Part Number | Qty | Description |
|-------|-------------|-----|--------------------------|
| 1 | 59192 | | VALVE CAP |
| 2 | 65139 | | VALVE STEM LT |
| 3 | 106222X | | SUB= 122073X |
| 4 | 59904 | | TUBE.5.3/4.5/6 |
| 5 | 106732X417 | | "RIM,FRT T" |
| 6 | 278H | | FITTING LT |
| 7 | 9040H | | "FLANGE, BEARING" |
| 8 | 124074X417 | | RIM.REAR.417 |
| 9 | 124106X | | SUB= 138756 |
| 10 | 7154J | | TUBE.23X8/10-12 |
| 11 | 104757X | | HUB CAP |
| | 144334 | | SEALANT.TIRE 10 OZ. TUBE |

