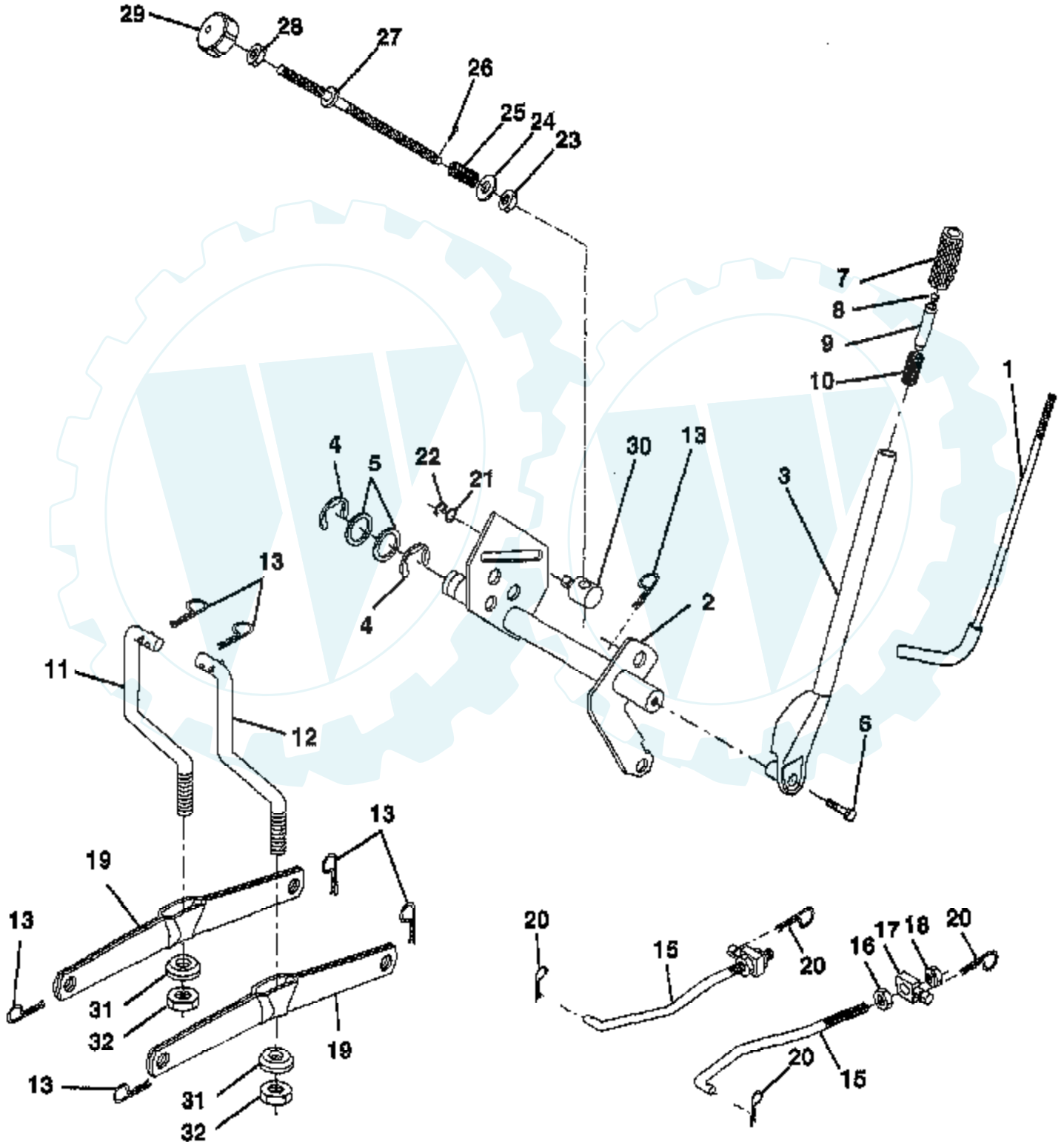


18 HP 44" TRACTOR - - MODEL NUMBER 4181-44

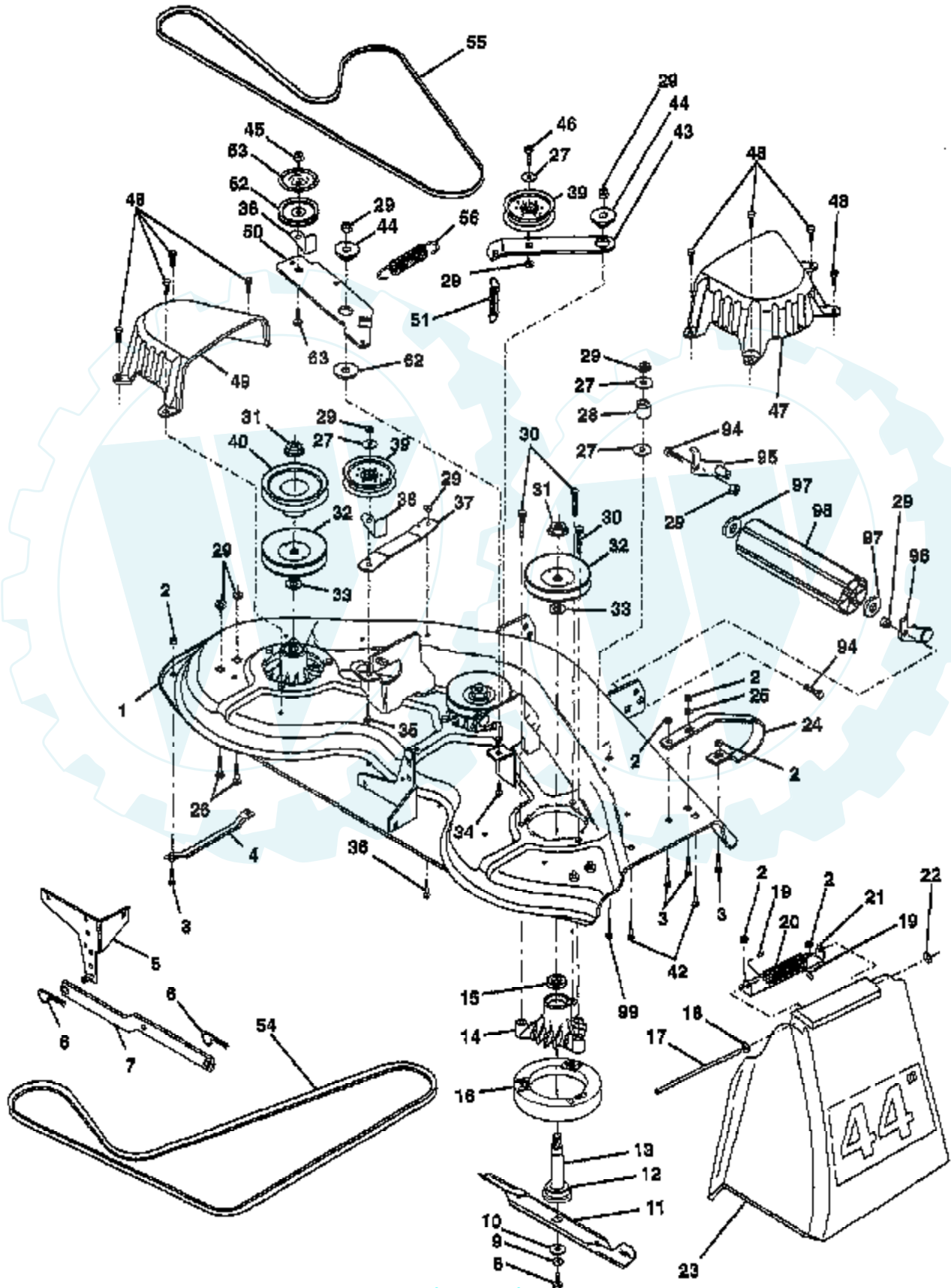
LIFT ADJUSTMENT



Ref #	Part Number	Qty	Description
1	121006X		LEVER ROD LT
2	140673		SHAFT LIFT W/IND
3	121002X		SUB= 123096X
4	12000022		E-RING
5	19292016		WASHER
6	74780624		"BOLT,HEX"
7	109413X		GRIP
8	124526X		SUB= 125925X
9	122364X		SUB= 125925X
10	2876H		SPRING T
11	139865		SUB= 918139865
12	139866		SUB= 151140
13	4939M		SUB= 85902
15	127218		LINK.FRONT
16	73350800		NUT
17	130171		TRUNION
18	73800800		NUT.LK.W/WSH.1/2.
19	139868		ARM SUSP REAR
20	3146R		RETAINER.SPRING
21	19151216		WASHER
22	12000037		KLIP RING
23	110807X		NUT T
24	19131016		WASHER
25	2876H		SPRING T
26	76020308		SUB= 3145
27	110729X		ROD LIFT LT
28	73350600		NUT
29	138057		KNOB INF 3/8-16
30	110810X		TRUNION LT
31	140302		BEARING PVT LH
32	73540600		NUT.CROWNLOCK.3/8

18 HP 44" TRACTOR - MODEL NUMBER 4181-44

44" MOWER DECK



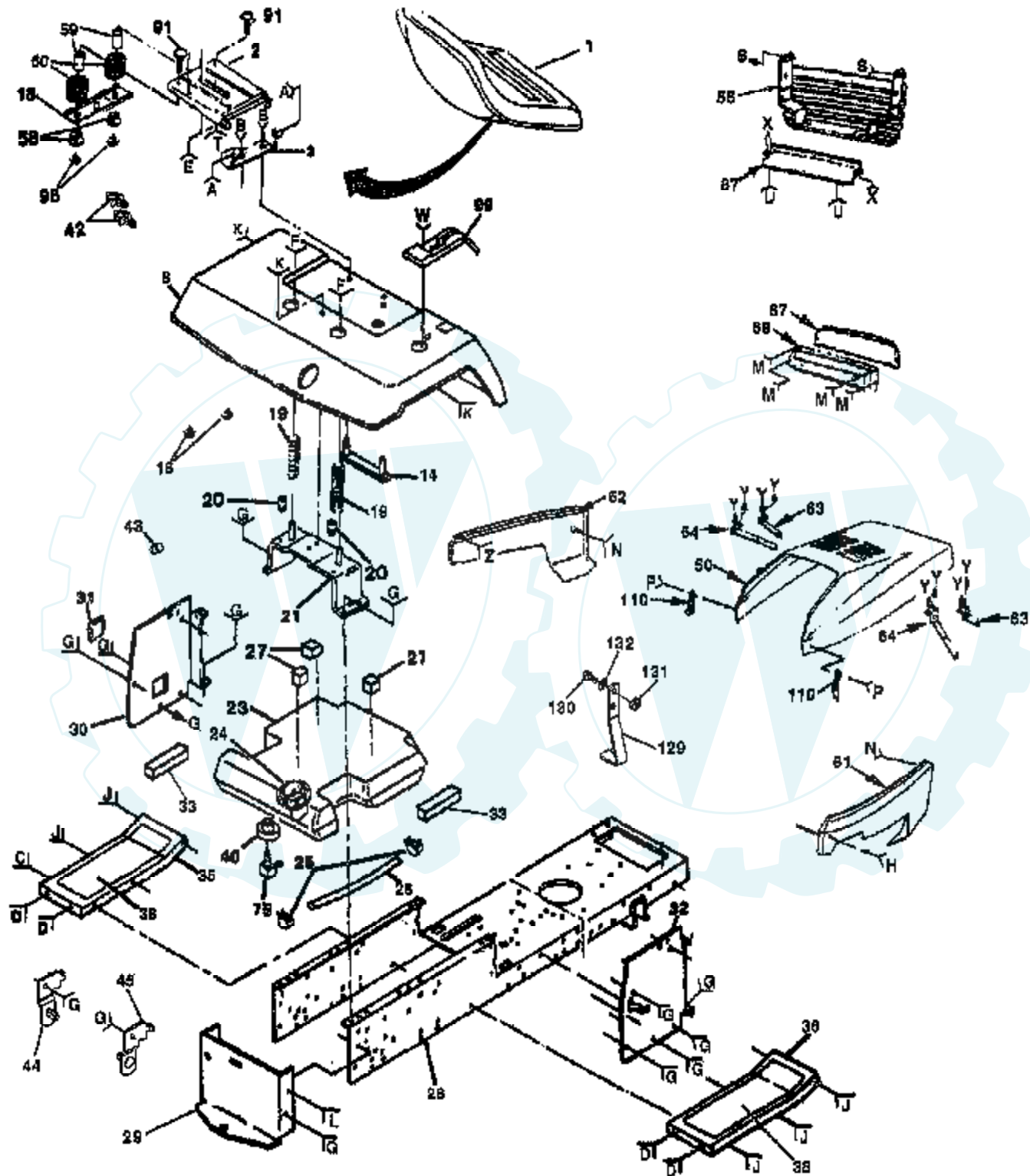
Ref #	Part Number	Qty	Description
1	140579		"DECK ASM WELD44""
2	73800500		NUT
3	72110506		SUB= 72270506
4	7631J		RUNNER-LH M
5	138457		BRKT.ASM.SW.44/50
6	4939M		SUB= 85902
7	130832		SUB= 130833
8	850857		BLADE BOLT
9	10030600		SUB= 10040600
10	140296		WASHER.HARD.BLADE
11	130652		"BLADE.44"" HIPERF"
12	129895		BEARING.BALL
13	137553		SHAFT.ASM.W/BRNG
14	137152		HOUSING.MAND.44.V
15	110485X		BEARING
16	140329		STRIPPER RND MWR
17	106735X		ROD-HINGE T
18	19111016		WASHER
19	105304X		CAP-SLEEVE LT
20	123713X		SPRING TORSION
21	137607		BRKT DEFLECTOR
22	110452X		NUT PUSH M
23	109785X		DEFLECTOR SHIELD
24	136321		RUNNER.RH
25	19111216		WASHER M
26	72110606		BOLT
27	19131316		WASHER
28	132823		SUB= 532132823
29	73800600		NUT
30	138776		SUB= 157722
31	137266		SUB= 139729
32	129861		SUB= 153535
33	129963		WASHER
34	72140610		BOLT.3/8-14X1.25
35	72110616		BOLT
36	72110608		BOLT D
37	137166		STIFFENER.ARM.IDL
38	137554		SUB= 918137554
39	131494		FLAT IDLER PULLEY
40	136572		"PULLEY.DRIVEN.44""
42	72140506		BOLT
43	136460		"ARM.IDLER.SEC.44""
44	122052X		SPACER RETAINER
45	73680600		SUB= 73690600
46	74760628		BOLT
47	137200		"COVER.MAND.RH.44""
48	137729		SCREW.1/4-20X5/8
49	136574		COVER.MANDREL.LH
50	137272		ARM.IDLER.PRIMARY
51	137273		"SPRING.SEC.44""VEN"
52	139245		PULLEY.IDLER.VGRO
53	137789		SHIELD.IDLER.44.V
54	131264		V-BELT.PRIM.78.5.
55	131290		BELT-V.88.12.MW
56	138687		SPRING.EXT.DECK.
62	133943		HARDENED WASHER
63	72110612		BOLT 3/8-16X1.50
94	74760616		BOLT

Ref #	Part Number	Qty	Description
95	132274		SUB= 532132274
96	132273		SUB= 532132273
97	19171416		WASHER
98	132264		SUB= 532132264
99	72110614		BOLT
	143651		MANDREL SERV ASM
	144075		DECK.SERV.44.ELEC



18 HP 44" TRACTOR - - MODEL NUMBER 4181-44

CHASSIS AND ENCLOSURES



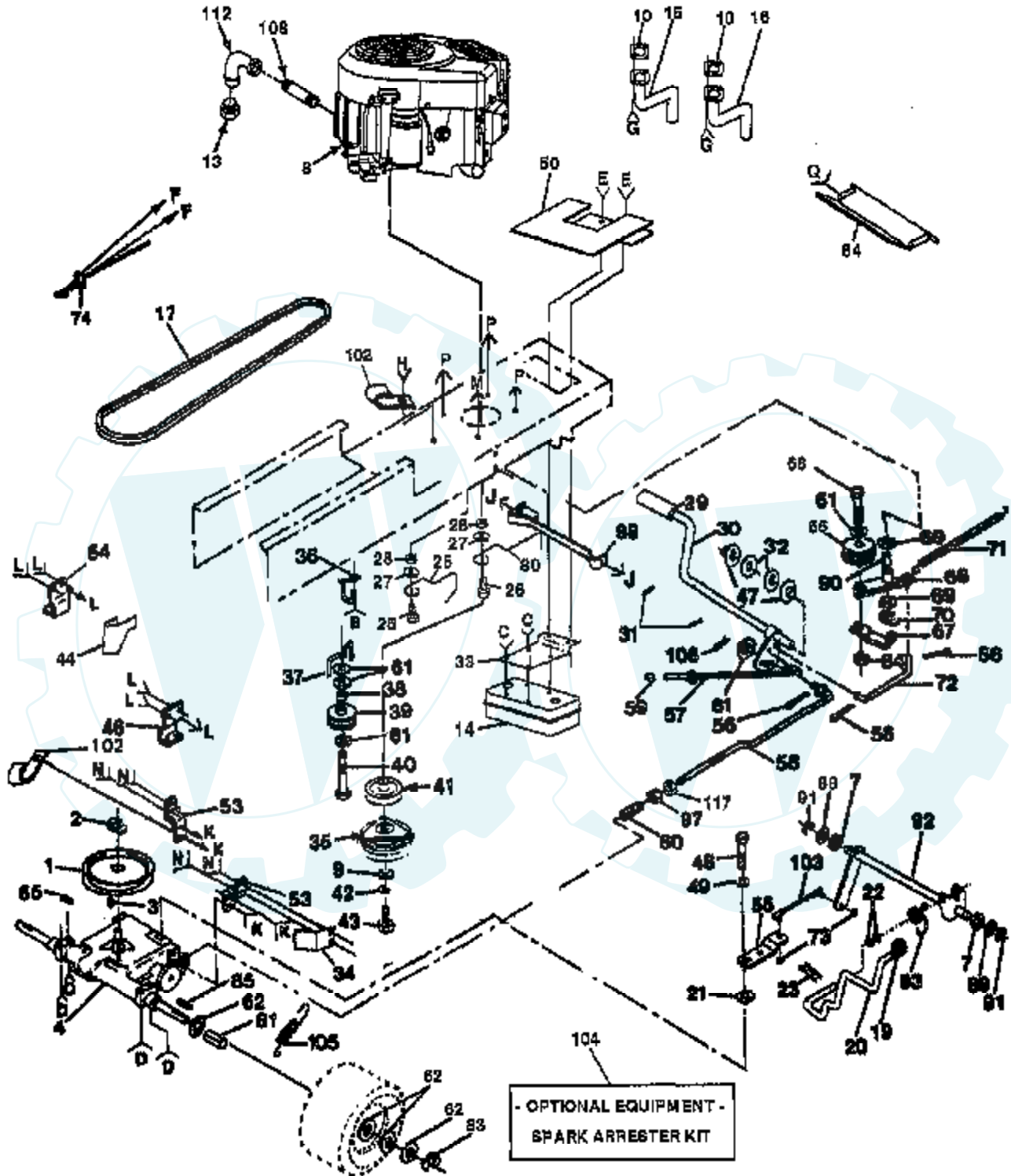
- | Letter | Number | Letter | Number | Letter | Number | Letter | Number | Letter | Number | Letter | Number | Letter | Number | Letter | Number | Letter | Number |
|--------|--------|--------|--------|--------|--------|--------|--------|--------|--------|--------|--------|--------|--------|--------|--------|--------|--------|
| A | 4 | B | 7 | C | 6 | D | 13 | E | 10 | F | 5 | G | 11 | H | 119 | I | 37 |
| J | 39 | K | 74 | L | 111 | M | 118 | N | 113 | O | 110 | P | 83 | Q | 80 | R | 126 |
| S | 127 | T | 128 | U | 121 | V | 122 | W | 114 | X | 116 | Y | 117 | Z | | | |

Ref #	Part Number	Qty	Description
1	127429X		SUB= 140121
2	140552		SUB= 155925
3	140551		BRACKET PVT SEAT
4	139888		BOLT.SHLD.5/16-18
5	17490508		SCREW LT
6	73680500		SUB= 73690500
7	73680600		SUB= 73690600
8	140002X424		FENDER YT/GT
10	120068X		"KNOB 1/2"" YT"
11	17490612		SCREW
12	19131312		WASHER
13	74780616		BOLT
14	140675		STRAP ASM FENDER
15	19171912		WASHER
16	124238X		CAP SPRING
18	121246X		BRKT SWITCH
19	124181X		SPRING COMPRESSIO
20	105531X		NUT-PUSH YT
21	137113		BRKT.ASM.FENDER
23	141069		SUB= 151346
24	140527		CAP ASM FUEL
25	123487X		HOSE CLAMP
26	8543R		FUEL LINE T
27	106082X		PAD-SPACER LT
28	140341		SUB= 145501
29	123785X		DRAW BAR
30	138644		PANEL.DASH.LH
31	121794X		COVER ACCESS
32	138643		PANEL.DASH.RH
33	109227X		PAD IDLER TI
35	105465X424		SUB= 145244X424
36	105464X424		SUB= 145243X424
37	72110606		BOLT
38	133671		FOOTREST PAD
39	17490608		SCREW LT
40	3645J		BUSHING OUTLET T
41	73800600		NUT
42	145006		CLIP.PUSH-IN.HING
43	110436X		SUB= 9151R
44	139886		BRACKET ASM LH
45	139887		BRACKET ASM RH
50	132635X424		SUB= 150301X424
55	131681		SUB= 131681X431
58	121248X		BUSHING
59	121249X		SPACER SPLIT
60	123740X		SPRING COMPRESSED
61	140679X424		PANEL SIDE RH
62	140678X424		PANEL SIDE LH
63	104618X		SUB= 155013
64	106784X		SUB= 155013
67	106395X		LENS LT
68	124392X417		SUB= 147717
74	74760612		SUB= 74780612
75	139277		STEM.TANK.FUEL
85	19131614		WASHER
86	124346X		NUT
87	144916X424		STRAP.GRILLE.424
91	72050411		SUB= 872050411

Ref #	Part Number	Qty	Description
93	127018X		"BOLT,SHOULDER"
95	123976X		SUB= 73900400
96	72140608		SUB= 72110608
99	139992		CONSOLE SHIFTER
110	109808X		HOOD LATCH T
111	17211010		SCREW LT
112	104755X		""J"" FASTENER LT"
113	74191008		SCREW
114	10071000		LOCKWASHER
115	2029J		WELDNUT
116	123481X		SUB= 7605J
117	73800400		NUT
118	108067X		PAL NUT LT
119	74981020		SCREW
120	7206J		SPACER LT
121	19070818		WASHER
122	73731000		NUT
125	17580408		SCREW CRT
127	73640400		NUT HXKEP 1/4X20
128	123198X		SUB= 146525
129	142992		STOP.OVER.CENTER
130	72240608		BOLT
131	73800600		NUT
132	19131612		WASHER GT

18 HP 44" TRACTOR -- MODEL NUMBER 4181-44

DRIVE



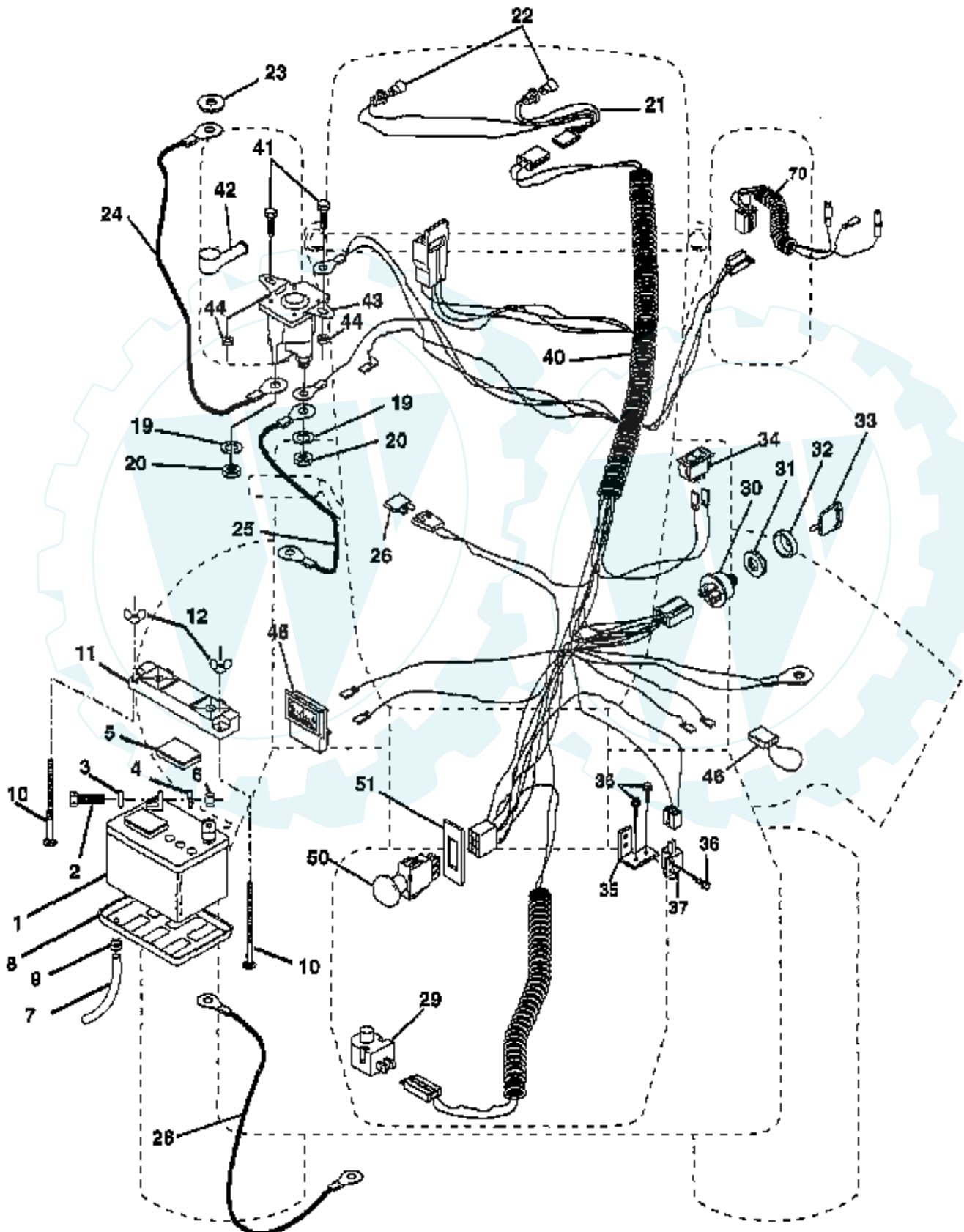
- | B | C | D | E | F | G | H | J | K | L | M | N | P | Q |
|----|----|----|-----|----|----|----|----|-----|----|----|----|----|-----|
| 24 | 45 | 52 | 101 | 75 | 95 | 84 | 5 | 101 | 89 | 11 | 24 | 11 | 116 |
| 27 | | 82 | 100 | | 96 | | 6 | | 28 | 94 | | | |
| | | 51 | | | | | 12 | | | | | | |

Ref #	Part Number	Qty	Description
1	121327X		PULLEY TRANSAXLE
2	12000004		RING
3	2228M		SUB= 2228M1
4	138788		TRANSAX. PRLES.
5	72140506		BOLT
6	19111012		WASHER T
7	71208		BUSHING
8	137517		ENGINE
9	126197X		WASHER
10	8545J		SUB= 272250
11	17490624		SCREW LT
12	73680500		SUB= 73690500
13			CHECK WITH SUPPLIER
14	137978		SUB= 149723
15	144069		EXHAUST.B&S.18.LH
16	144068		EXHAUST.B&S.18.RH
17	123796X		BELT.GRDRV.94.75
19	106933X		KNOB T (1/2-HOLE)
20	123781X		SUB= 141002
21	105701X		WASH-SHFT PLT LT
22	19171216		WASHER
23	76020416		PIN COTTER 1/8
24	17490612		SCREW
25	121218X		KEEPER BELT ENGLH
26	74760616		BOLT
27	19131312		WASHER
28	73680600		SUB= 73690600
29	8883R		PEDAL COVER T
30	122424X		SUB= 149001
31	1572H		SUB= 2882J
32	19211616		WASHER LT
33	122439X		BRACKET MUFFLER
34	123792X		"KEEPER,BELT RH"
35	137140		SUB= 142600
36	140312		KEEPER BELT CNTSP
37	109070X		BELT KEEPER LT
38	4470J		SPACER T
39	123674X		PULLEY.IDLER.FLAT
40	74760644		BOLT
41	136906		PULLEY ENGINE
42	10040700		LOCKWASHER
43	71170768		SUB= 150280
44	123791X		KEEPER BELT LH
45	17190408		SCREW ST
46	123776X		BRKT TRANS RH
47	120183X		NYLON BEARING
48	71040412		SUB= 74550412
49	19091216		WASHER PM
50	143600		SHIELD HEAT LT
51	73800500		NUT
52	74780544		BOLT HEX
53	123787X		STRAP TORQUE
54	123780X		BRKT TRANS LH
55	123794X		"ARM,SHIFT"
56	76020412		COTTER PIN
57	133261		BRAKE PARK ROD
58	123786X		ROD BRAKE
59	71673		PLUNGER CAP T

Ref #	Part Number	Qty	Description
60	126909X		"SPRING,ROD BRAKE"
61	19131316		WASHER
62	123800X		WASHER
64	128953		HEAT SHIELD
65	127783		SUB= 139245
66	123789X		ARM IDLER
67	123205X		RETAIN BELT
68	74760624		SUB= 74930624
69	110812X		WASHER LT
70	12000039		KLIP RING
71	105709X		"SPRING, RETURN LT"
73	73530400		NUT 1/4-28
74	132747		SUB= 532132748
75	17720410		SCREW LT
80	105730X		"KEEPER,BLT ENG LT"
81	108097X		SPACER HYT
82	19111216		WASHER M
83	12000053		E RING HYT
84	73800600		NUT
85	9396E		SQ KEY STD
88	19212016		WASHER D
89	74760612		SUB= 74780612
90	105706X		"LY, BEARING"
91	12000008		KLIP RING
92	123772X		"SHAFT,SHIFTER"
93	123782X		"SPRING,TORSION"
94	11050600		LOCKWASHER
95	74780412		SUB= 74780414
96	10040400		LOCKWASHER
97	73800600		NUT
98	137141		BRACKET.ASM.MTG
100	19132012		WASHER
101	17490512		SCREW
102	2751R		CLIP T
103	123793X		"ROD,TIE "
104	137180		SUB= 532137180
105	110422X		SUB= 146682
106	4497H		RETAINER M
108	13280336		PIPE NIPPLE LT
112	13200300		ELBOW
116	17021008		SCREW
117	73350600		NUT

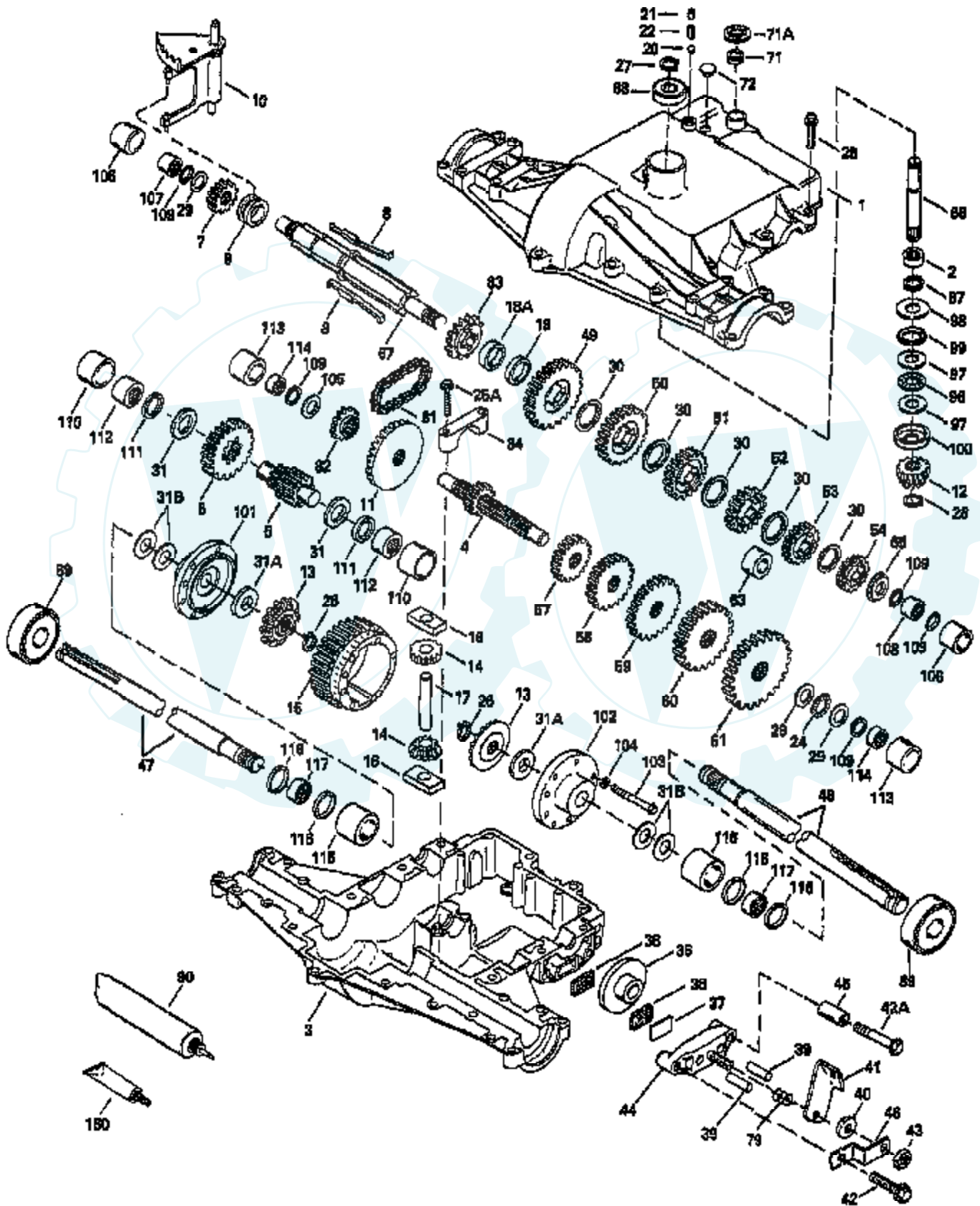
18 HP 44" TRACTOR - - MODEL NUMBER 4181-44

ELECTRICAL



Ref #	Part Number	Qty	Description
1	121537X		SUB= 123899X
2	74760412		BOLT LT
3	19091016		WASHER
4	10040400		LOCKWASHER
5	121264X		"CAP,BATTERY "
6	73220400		SUB= 50675
7	7697J		"DRAIN TU T, BATT"
8	7603J		"TRAY T, BATTERY"
9	109596X		HOSE CLAMP T
10	72240460		BOLT
11	102476X		SUB= 150109
12	123198X		SUB= 146525
19	10090400		SUB= 10040400
20	73350400		NUT
21	136850		"HARNES,LIGHT SOC"
22	4152J		HEADLAMP BULB
23	11150400		LOCKWASHER
24	4799J		"CABLE T, BATTERY"
25	4206J		CABLE-BATTERY T
26	108824X		FUSE HYT
28	4207J		CABLE T
29	121305X		SWITCH SEAT
30	144921		SUB= 163088
31	140400		SUB= 145774
32	141226		COVER KEY SWITCH
33	140401		KEY MLD GEN DELTA
34	110712X		SWITCH LT
35	108236X		BRACKET LT
36	17021008		SCREW
37	104445X		SWITCH-INTER. GT
40	140420		HARNES IGNITION
41	71110408		BOLT HXHD FIN
42	131563		SUB= 154336
43	138406		SUB= 146154
44	73680400		SUB= 73690400
45	122822X		AMMETER
46	141940		PROTECTION LOOP
50	140404		SUB= 154959
51	140405		RING RETAIN PTO
70	143906		HARNES ENG B&S

18 HP 44" TRACTOR - - MODEL NUMBER 4181-44 PEERLESS TRANSAXLE - MODEL NUMER 820-016B

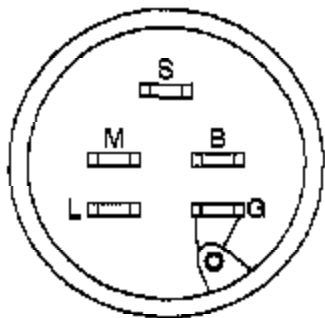
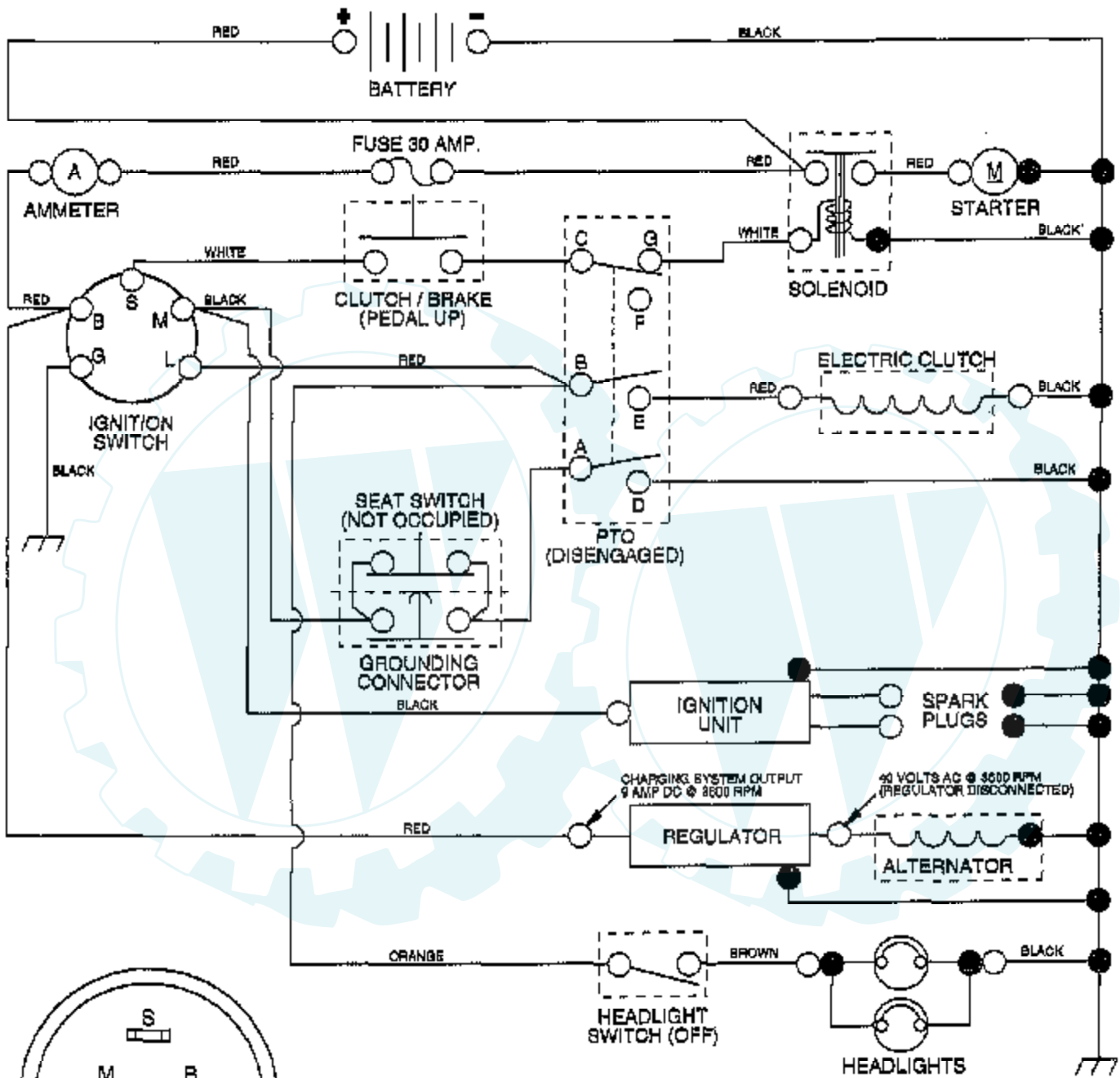


Ref #	Part Number	Qty	Description
	794513		TRANSAXLE, COMPLETE
1	772098A		COVER TRANSAXLE
2	780155		BEARING NEEDLE
3	770088		CASE TRANSAXLE
4	776291		SHAFT COUNTER
5	776275		SHAFT, OUTPUT, 9T
6	778247		GEAR, OUTPUT, 35T
7	778253		GEAR, SPUR, 15T
8	792138		KEY
9	784216		COLLAR SHIFT
10	784342		ROD AND FORK ASSY SHIFT
11	778246		GEAR BEVEL, 33T
12	778245		BEVEL PINION, 13T
13	778198		GEAR BEVEL
14	778197		PINION, 10T
15	778248		GEAR, RING, 31T
16	786027		BLOCK DRIVE
17	786019		PIN DRIVE
18	786121		SPACER, .350/.340 THICK
18A	786122		SPACER, .276/.268 THICK
20	792077		BALL STEEL, 5/16" DIA.
21	792078		SCREW, 3/8-16 X 3/8"
22	792079		SPRING
24	780071		THRUST BEARING
25	792129		SCREW HEX HD 5/16-18 X 1-1/4
25A	792073		SCREW, 1/4-20 X 1-1/4
26	792018		RING STRAP
27	792018		RING STRAP
28	788040		RETAINING RING
29	780072		WASHER THRUST
30	780108		WASHER THRUST
31	780128		WASHER THRUST
31A	780107		WASHER
31B	780042		WASHER THRUST
36	790043		DISK BRAKE
37	790007		PLATE BRAKE PAD
38	799021		BRAKE PAD
39	786026		PIN DOWEL
40	792076A		WASHER
41	790047		LEVER BRAKE
42	792073		SCREW, 1/4-20 X 1-1/4
42A	792085A		SCREW, 1/4-20 X 2-1/4
43	792075		LOCKNUT 5/16-24
44	790025		HOLDER BRAKE PAD
45	786067		SPACER
46	786086		BRKT BRAKE LEVER
47	774832		AXLE, 12-5/16" LONG
48	774831		AXLE, 16-3/16" LONG
49	778216A		GEAR, SPUR, 41T
50	778206A		GEAR, SPUR, 35T
51	778205A		GEAR, SPUR, 30T
52	778204A		GEAR, SPUR, 25T
53	778203A		GEAR, SPUR, 22T
54	778273		GEAR, SPUR, 19T
57	778199		GEAR, SPUR, 15T
58	778200		GEAR, SPUR, 20T
59	778201		GEAR, SPUR, 25T
60	778202		GEAR, SPUR, 28T

Ref #	Part Number	Qty	Description
61	778208		GEAR, SPUR, 31T
65	780139		WASHER
66	776274		SHAFT INPUT
67	776313		SHAFT BRAKE
71	788069		SEAL SQUARE CUT
71A	792145		PUSHNUT
72	792074		PLUG, THRDED, 9/16-18
79	792144		SPRING
81	786081		CHAIN, ROLLER
82	786082		SPROCKET 9T
83	786123		SPROCKET 18T (REV)
84	786131		BEARING CAP
87	788042		OIL SEAL 3/4
88	780119		BEARING BALL
89	780050		BEARING BALL
90	788067B		GREASE BENTONITE, 32 OZ.
96	780084		BEARING THRUST
97	780051		WASHER THRUST
98	780165		WASHER
99	788077		"O" RING
100	780166		WASHER CUPPED
101	774833		CARRIER DIFF THREADED HOLES
102	774834		CARRIER DIFF
103	792020		SCREW, 1/4-20 X 2-1/4
104	792006		WASHER LOCK 1/4
105	780153		WASHER
106	786144		SLEEVE
107	780152		BEARING NEEDLE
108	780150		BEARING NEEDLE
109	792001		"O" RING
110	786142		SLEEVE STEPPED
111	788071		RING SQ CUT
112	780168		BEARING NEEDLE CAPPED
113	786143		SLEEVE STEPPED
114	780151		BEARING NEEDLE CAPPED
115	786145		SLEEVE STEPPED
116	788070		RING SQ CUT
117	780031		BEARING NEEDLE
150	510334		GASKET ELIMINATOR

18 HP 44" TRACTOR - - MODEL NUMBER 4181-44

SCHEMATIC



IGNITION SWITCH

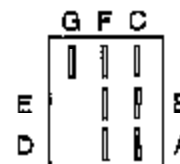
POSITION	CIRCUIT
OFF	M + G
ON	B + L
START	B + S + L

NON-REMOVABLE CONNECTIONS

REMOVABLE CONNECTIONS

WIRING INSULATED CLIPS

NOTE: IF WIRING INSULATED CLIPS WERE REMOVED FOR SERVICING OF UNIT, THEY SHOULD BE REPLACED TO PROPERLY SECURE YOUR WIRING

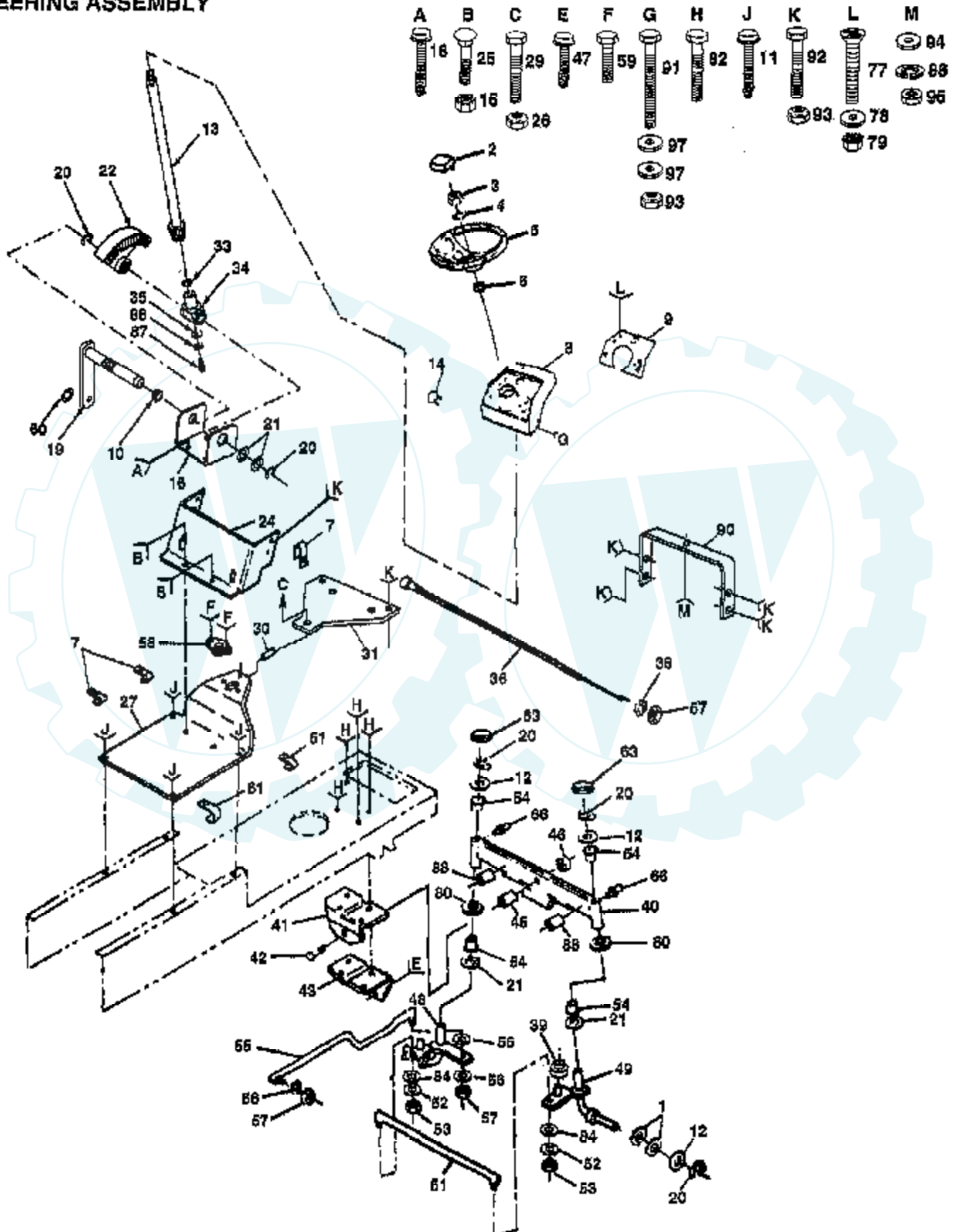


PTO SWITCH

POSITION	CIRCUIT
OFF	C + G
ON	C + F, B + E, A + D

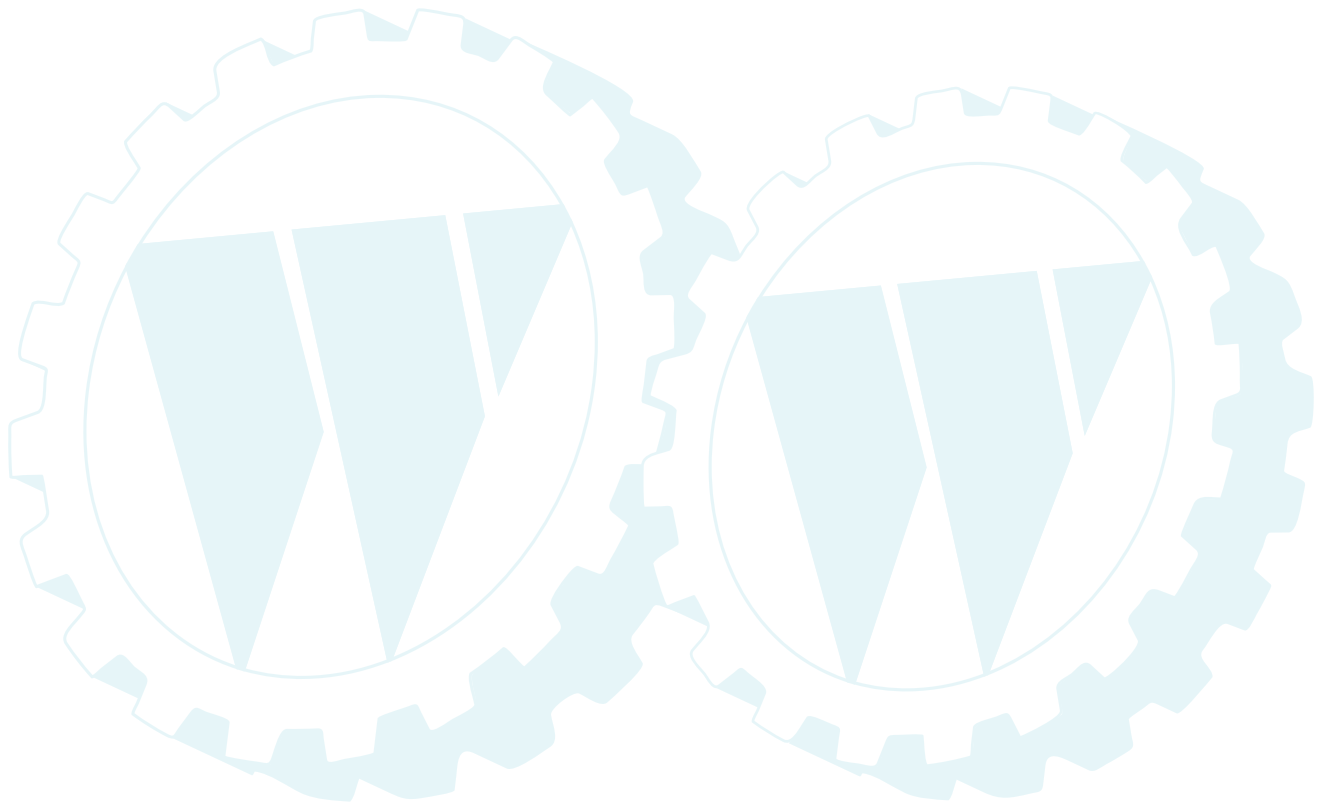
18 HP 44" TRACTOR -- MODEL NUMBER 4181-44

STEERING ASSEMBLY



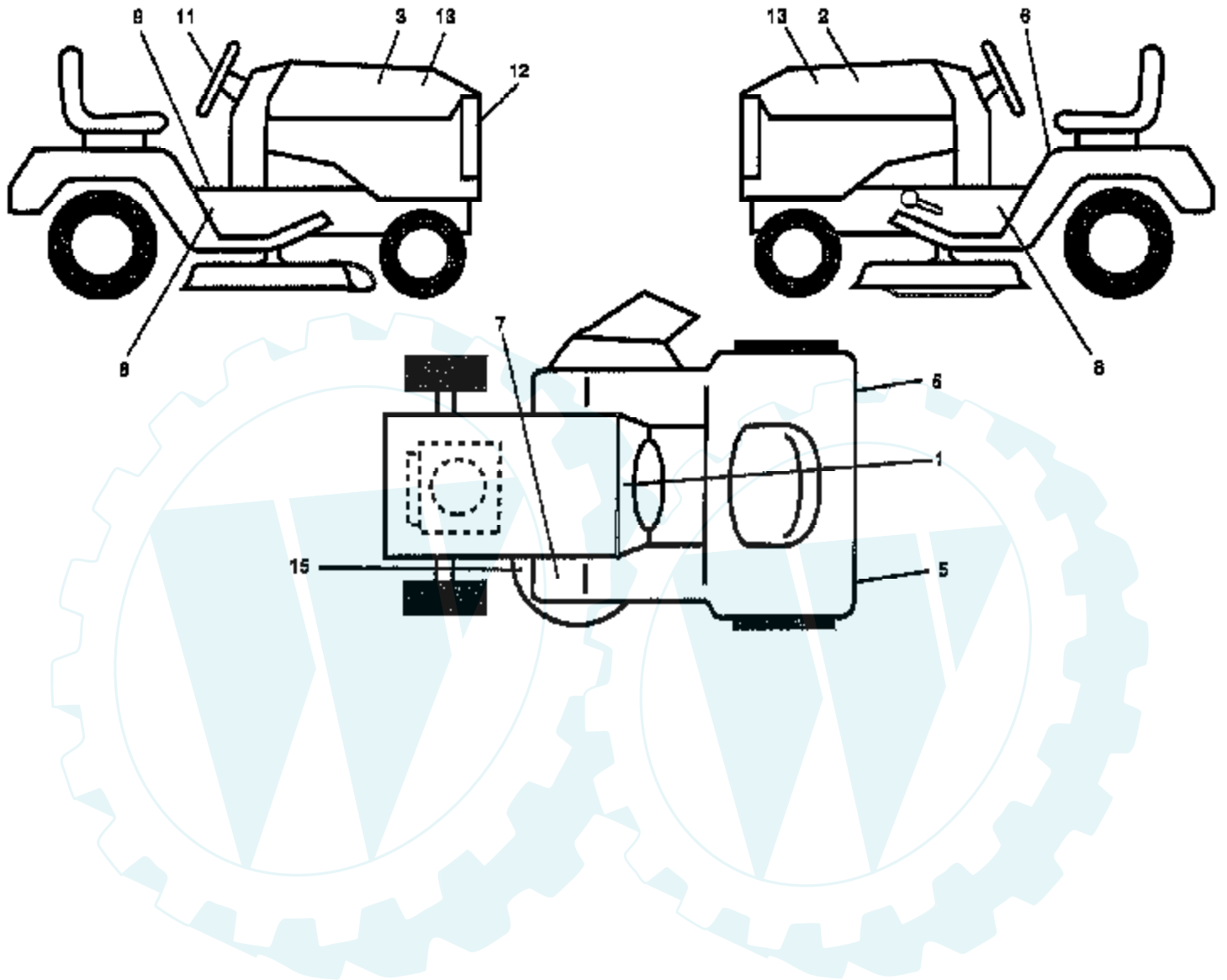
Ref #	Part Number	Qty	Description
1	121749X		WASHER
2	126805X		"INSERT,STR WHEEL"
3	73940800		SUB= 73360800
4	100712K		WASHER
5	121472X		SUB= 150546
6	100711L		ADAPTER LT
7	2751R		CLIP T
8	140398		DASHBOARD BLACK
9	140299X012		PLATE SLKSCR YP
10	109816X		NYLINER T
11	17490612		SCREW
12	121748X		WASHER
13	128762		SUB= 156544
14	8022J		PLUG-DASH T
15	73510500		NUT
16	124036X		"BRKT,STEERING"
18	17490612		SCREW
19	127501		SUB= 918127501
20	12000029		RING
21	6266H		WASHER .T
22	136874		GEAR SECTOR
24	104805X		LOWER DASH
25	74180512		SCREW
26	73800500		NUT
27	127543		SUB= 127543X011
29	74760532		BOLT
30	121236X		SPACER
31	140181		PLATE.SUPT.BATTER
33	57079		THRUST WASHER
34	124035X		SUPPORT.SHAFT
35	126684X		SUB= 532126684
36	132781		CHOKE CONTROL
38	11050600		LOCKWASHER
39	141052		BUSHING SPIN STOP
40	142033		AXLE ASM FRONT
41	105663X		SUPPORT-SADDL T
42	74761060		BOLT LT
43	105664X		SUPPORT.SADDLE.FT
45	110438X		BEARING
46	73901000		"NUT-LOC,FLANGE LT"
47	17490508		SCREW LT
48	145410		SUB= 145410X431
49	145413		SUB= 145413X431
51	130467		TIE ROD
52	10040500		LOCKWASHER
53	73810500		NUT.LOCK.5/16-24
54	3366R		COL. SRTG. BEAR.
55	130468		SUB= 532130468
56	10040600		LOCKWASHER
57	73610600		SUB= 7810H
58	1554J		SUB= 155108
59	17431008		SUB= 98000165
60	19131210		WASHER
61	126471X		"CLIP,INSULATOR"
63	121232X		CAP
66	6855M		ZERK M
77	74180512		SCREW
78	19111116		WASHER

Ref #	Part Number	Qty	Description
79	73510500		NUT
80	19272016		WASHER
82	17490612		SCREW
84	19111216		WASHER M
86	10040400		LOCKWASHER
87	71070410		"SCREW,SPECIAL"
88	132624		AXLE PIN
90	124130X		SUPPORT ASSY
91	74780620		BOLT
92	74780616		BOLT
93	73800600		NUT
94	19091216		WASHER PM
95	73220400		SUB= 50675
97	19131312		WASHER

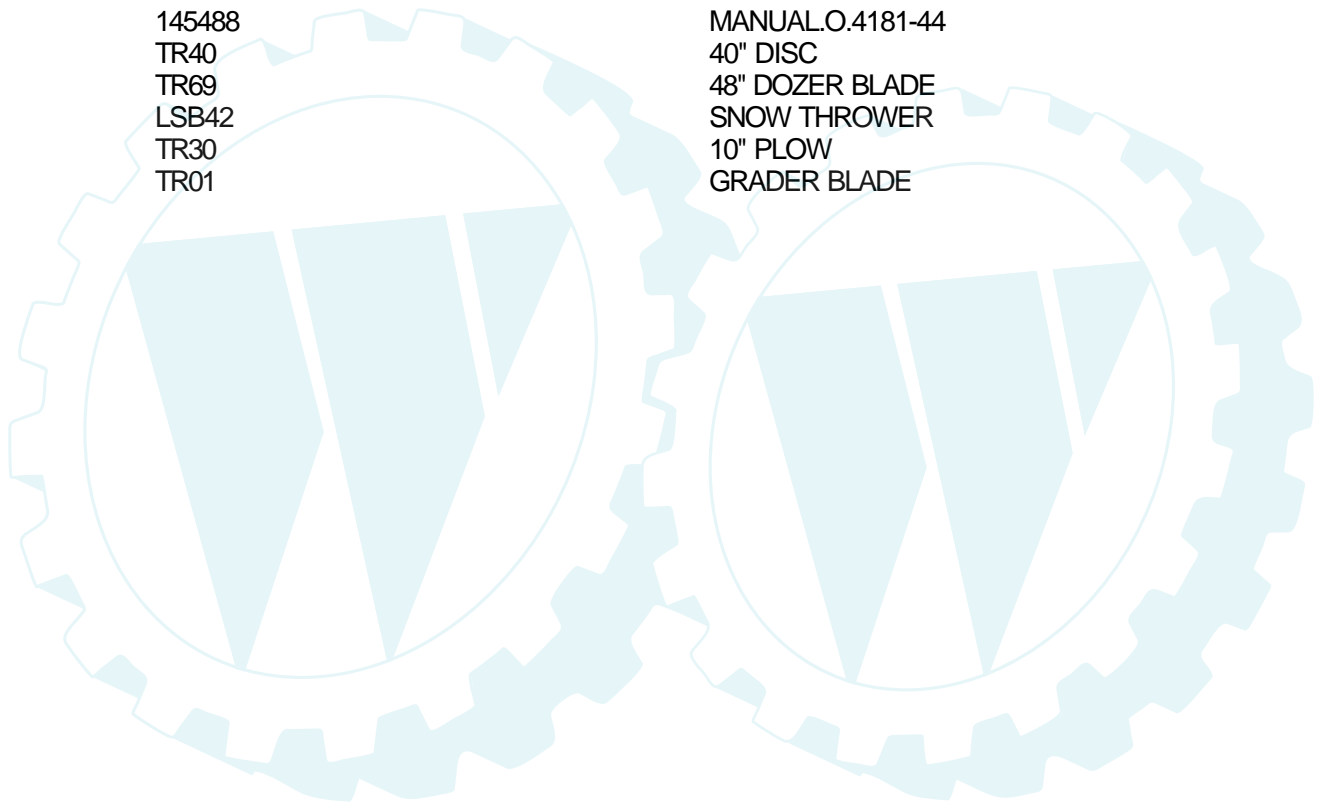


18 HP 44" TRACTOR - - MODEL NUMBER 4181-44

DECALS

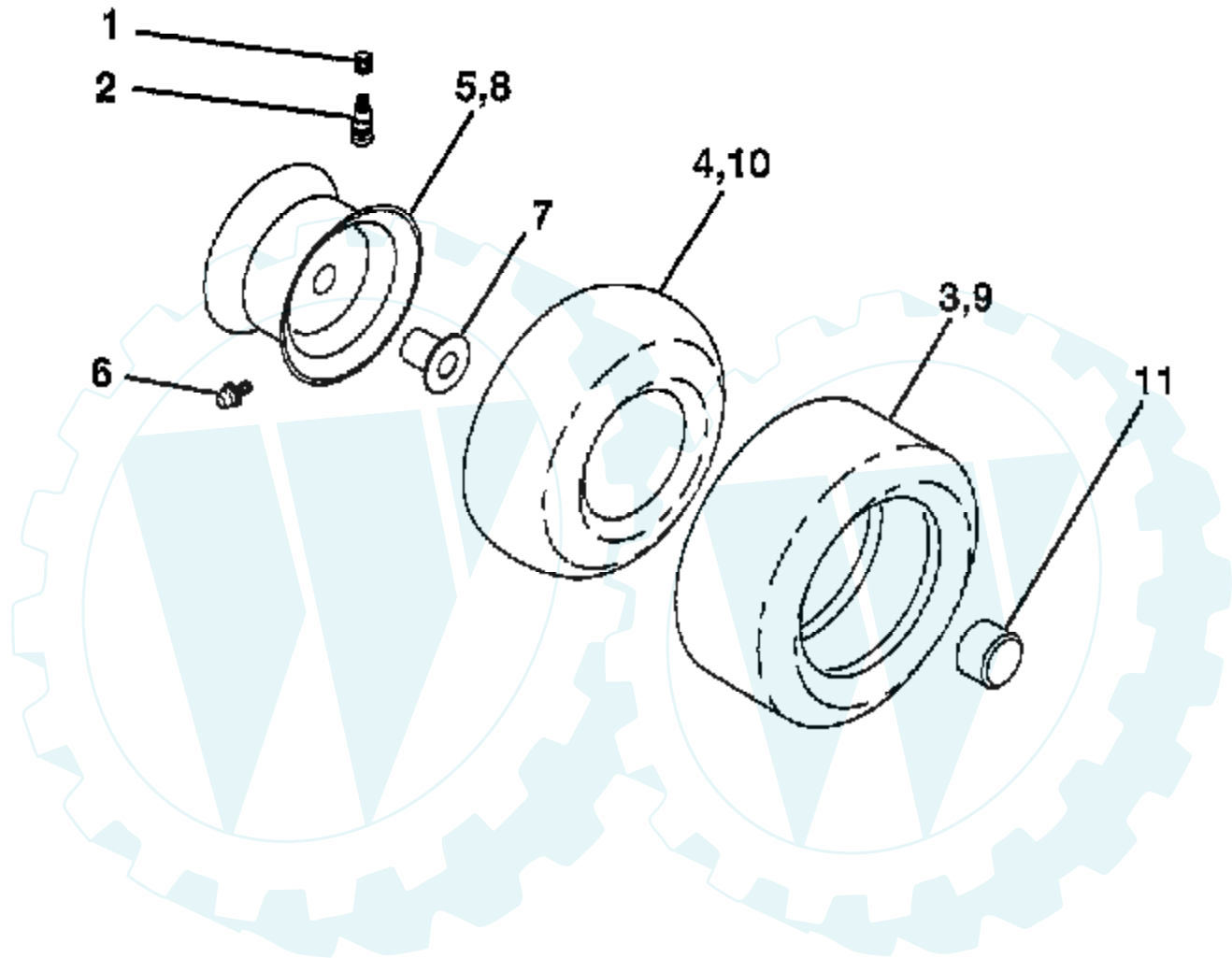


Ref #	Part Number	Qty	Description
1	138955		REFER TO IMAGE
2	135344		DECAL.DASH.INST.
3	135343		HOOD DECAL LH
3	135343		NLA
5	106202X		REFLECTOR-TAIL YT
6	133796		DECAL
7	4900J		DECAL T
8	135339		NLA
9	140837		DECAL BRAK PARK
11	135619		NLA
12	135341		GRILL DECAL
13	135062		NAMEPLATE LOGO
15	139346		"DECAL.V.BELT.44""
	138311		DECAL HANDLE LIFT
	145488		MANUAL.O.4181-44
	TR40		40" DISC
	TR69		48" DOZER BLADE
	LSB42		SNOW THROWER
	TR30		10" PLOW
	TR01		GRADER BLADE



18 HP 44" TRACTOR - - MODEL NUMBER 4181-44

WHEELS AND TIRES



Ref #	Part Number	Qty	Description
1	59192		VALVE CAP
2	65139		VALVE STEM LT
3	124106X		SUB= 138756
4	59904		TUBE.5.3/4.5/6
5	106228X417		RIM.FRONT.
6	278H		FITTING LT
7	9040H		"FLANGE, BEARING"
8	124074X417		RIM.REAR.417
9	106230X		SUB= 122075X
10	7154J		TUBE.23X8/10-12
11	104757X		HUB CAP

