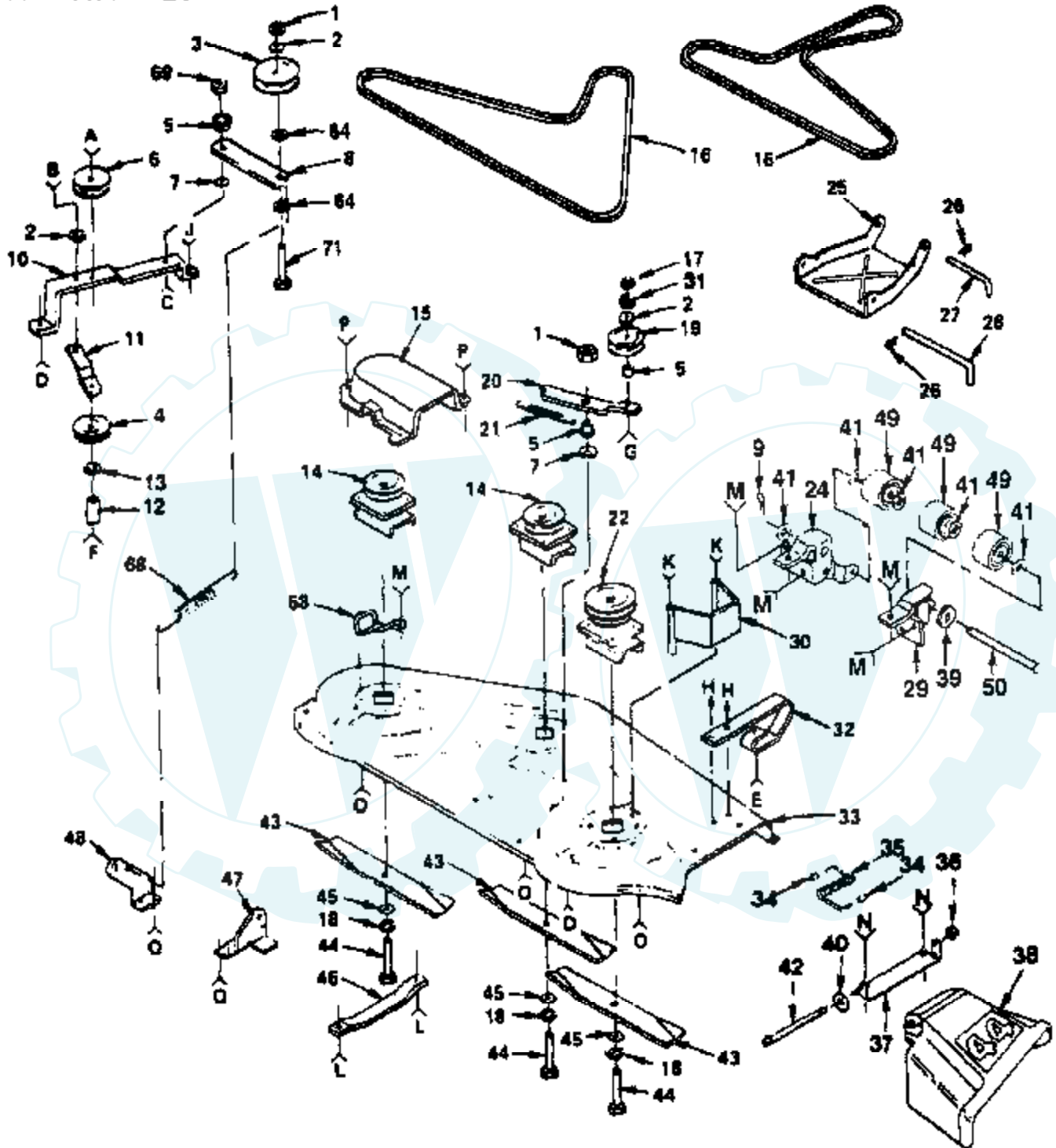


18 HP 44" TRACTOR -- MODEL NUMBER 4180-34

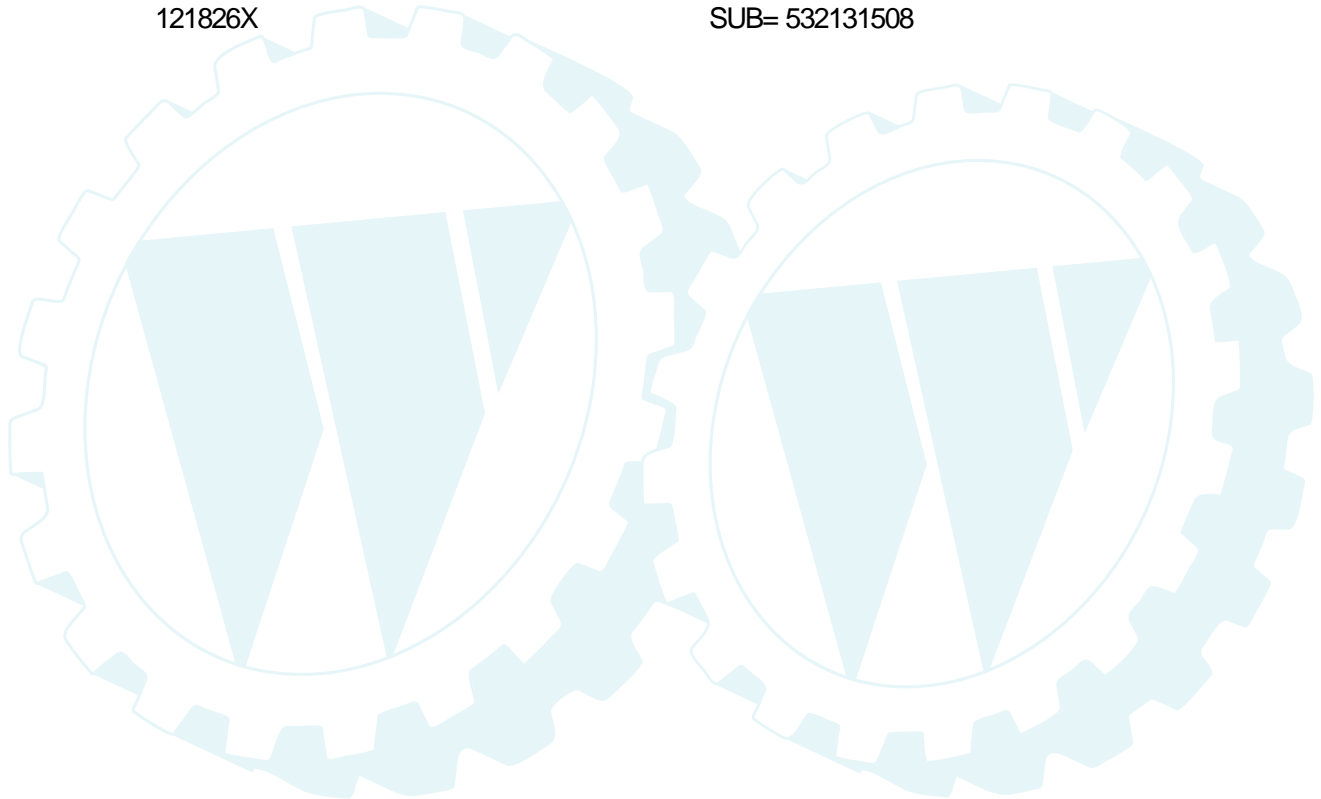
44" MOWER DECK



- | A | B | C | D | E | F | G | H | J | K | L | M | N | O | P | Q |
|----|----|----|----|----|----|----|----|----|----|----|----|----|----|----|----|
| 51 | 52 | 53 | 54 | 55 | 58 | 59 | 55 | 23 | 62 | 60 | 55 | 55 | 66 | 70 | 67 |
| 65 | 2 | | | 56 | | | | | | 57 | 61 | 57 | | 56 | |
| 2 | 1 | | | 72 | | | | | 81 | | 57 | | | 57 | 1 |
| 1 | | | | 1 | | | | | 57 | | | | | | |

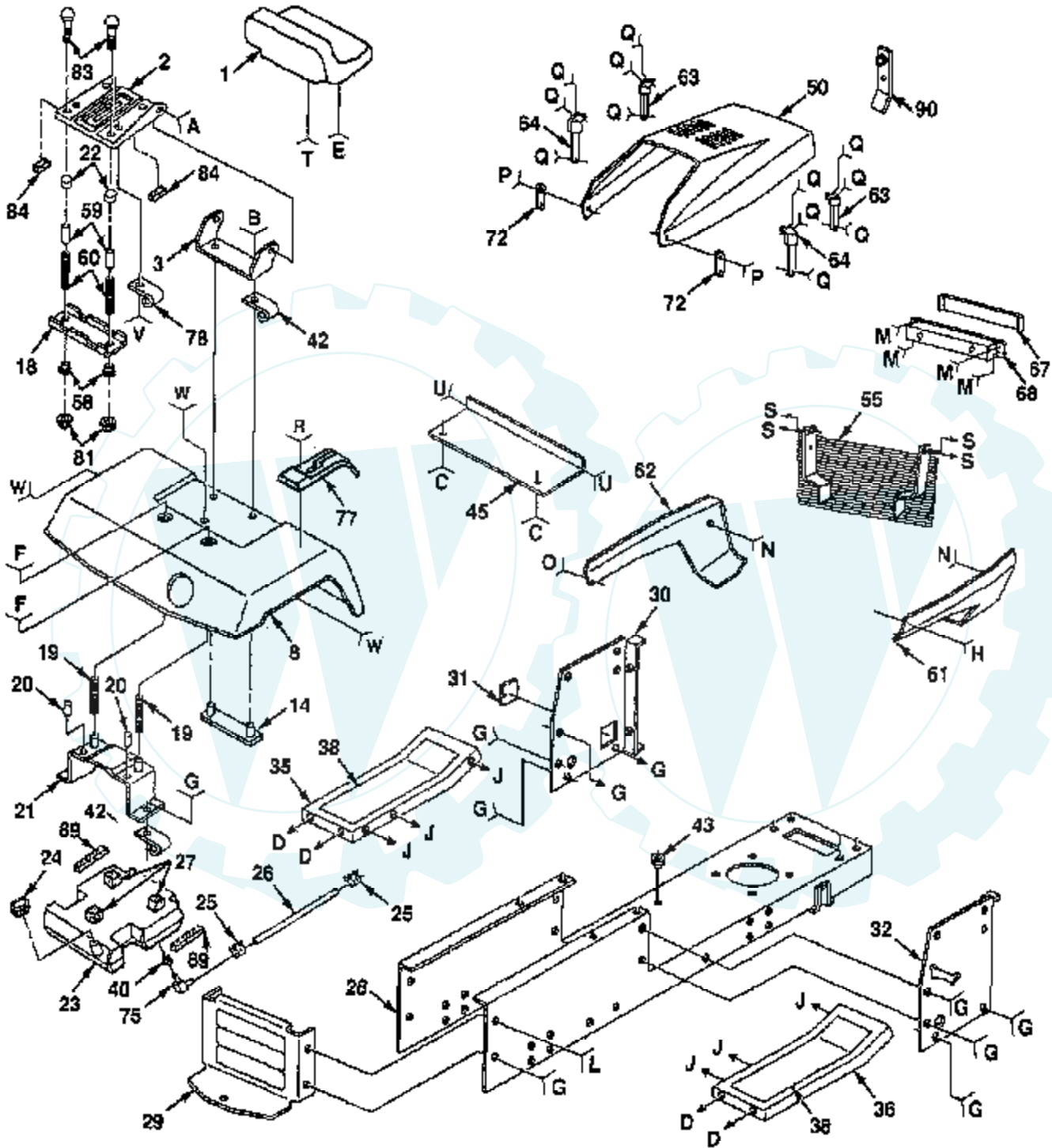
Ref #	Part Number	Qty	Description
1	73680600		SUB= 73690600
2	19131614		WASHER
3	121316X		PULLEY IDLER
4	102403X		IDLER-FLAT T
5	106902X		SPACER RETAINER
6	677A451		IDLER-INSIDE T
7	106513X		"WASHER, WEAR LT"
8	121425X		ARM IDLER
9	76020412		COTTER PIN
10	106523X		"SUPPORT YT, BAR"
11	106522X		BRACE-IDLER YT
12	121236X		SPACER
13	19131316		WASHER
14	136818		SUB= 136819
15	106214X		GUARD YT
16	106085X		BELT-V.79.1.MWR
17	73220600		NUT.HEX.3/8-16UNC
18	10030600		SUB= 10040600
19	102932X		IDLER.FLAT.GTV
20	106526X		ARM-IDLER YT
21	7644J		SPRING T
22	121704X		SUB= 121705X
23	74760616		BOLT
24	109599X		BRACKET LH YTH
25	105662X		LINK.PARALLEL
26	4921H		SPRING.RETAINER
27	105744X		"ROD, FRT. PARAL T"
28	109835X		HINGE PIN T
29	109600X		BRACKET RH YTH
30	108119X		GUARD BELT HYT
31	10040600		LOCKWASHER
32	136321		RUNNER.RH
33	121423X		SUB= 144729
34	105304X		CAP-SLEEVE LT
35	123713X		SPRING TORSION
36	110452X		NUT PUSH M
37	137607		BRKT DEFLECTOR
38	109785X		DEFLECTOR SHIELD
39	19151616		SUB= 19171616
40	19111016		WASHER
41	19151610		WASHER T
42	106735X		ROD-HINGE T
43	106635X		SUB= 25034
44	74610624		BOLT.3/8-24X1-1/2
45	19132012		WASHER
46	7631J		RUNNER-LH M
47	123807X		BRKT SUSP REAR RH
48	123808X		BRKT SUSP REAR LH
49	109729X		ROLLER T
50	109776X		PIVOT PIN T
51	72140614		BOLT
52	72140608		SUB= 72110608
53	72140612		BOLT
54	74760620		SUB= 74780620
55	72140506		BOLT
56	19111116		WASHER
57	73680500		SUB= 73690500
58	74760648		BOLT - HEX 3/8 - 16 X 3

Ref #	Part Number	Qty	Description
59	74110632		SCREW YT
60	72110505		BOLT
61	19111216		WASHER M
62	74760580		BOLT
63	121352X		BELT RETIANER
64	19131210		WASHER
65	19131410		WASHER
66	17490612		SCREW
67	72140606		BOLT
68	102727X		"SPRING.EXT.8.5""
69	73930600		LOCKNUT
70	72110506		SUB= 72270506
71	72140620		BOLT
72	1685H		SUB= 68478
	121826X		SUB= 532131508



18 HP 44" TRACTOR -- MODEL NUMBER 4180-34

CHASSIS AND ENCLOSURES



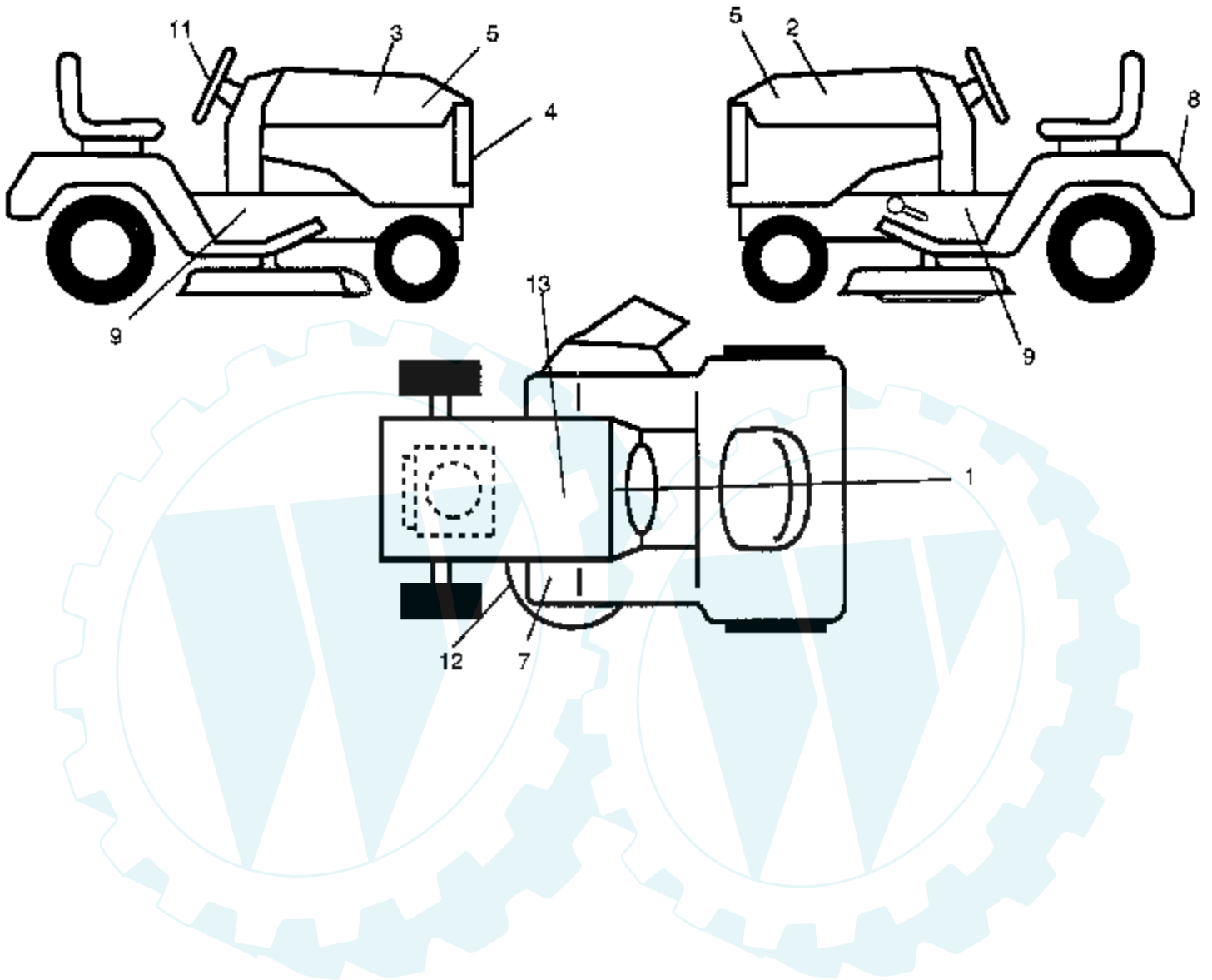
- | | | | | | | | | | | | | | | | | | | | | |
|----------|----------|----------|----------|----------|----------|----------|----------|----------|----------|----------|----------|----------|----------|----------|----------|----------|----------|----------|----------|----------|
| A | B | C | D | E | F | G | H | J | L | M | N | O | P | Q | R | S | T | U | V | W |
| 4 | 7 | 17 | 13 | 10 | 88 | 11 | 52 | 37 | 74 | 71 | 54 | 41 | 69 | 46 | 73 | 57 | 82 | 44 | 80 | 87 |
| 6 | 91 | 92 | 12 | 15 | 85 | 7 | 51 | 7 | 7 | 70 | 54 | 66 | 65 | 66 | 76 | 56 | 91 | 80 | 79 | |
| | | | 7 | | | | 49 | | | | | | | | 86 | | | | | |
| | | | | | | | 48 | | | | | | | | | | | | | |

Ref #	Part Number	Qty	Description
1	127429X		SUB= 140121
2	131451		SUB= 155925
3	126656X		SUB= 140551
4	105529X		SUB= 139888
5	110854X		SUPPORT RH YTH
6	73680600		SUB= 73690600
8	123784X424		FENDER
10	120068X		"KNOB 1/2"" YT"
11	17490612		SCREW
12	19131312		WASHER
13	74760612		SUB= 74780612
14	105511X		SUB= 140675
15	19171912		WASHER
16	8022J		PLUG-DASH T
17	17490412		SCREW HEX CRT
18	121246X		BRKT SWITCH
19	124181X		SPRING COMPRESSION
20	105531X		NUT-PUSH YT
21	137113		BRKT.ASM.FENDER
22	124238X		CAP SPRING
23	127334X		SUB= 151346
24	123549X		SUB= 158990
25	123487X		HOSE CLAMP
26	7834R		SUB= 8542R
27	106082X		PAD-SPACER LT
28	127166X		CHASSIS
29	123785X		DRAW BAR
30	138644		PANEL.DASH.LH
31	121794X		COVER ACCESS
32	138643		PANEL.DASH.RH
35	105465X424		SUB= 145244X424
36	105464X424		SUB= 145243X424
37	72110606		BOLT
38	133671		FOOTREST PAD
40	3645J		BUSHING OUTLET T
41	123198X		SUB= 146525
42	2751R		CLIP T
43	110436X		SUB= 9151R
44	17490512		SCREW
45	105419X424		"STRAP,GRILL"
46	73510400		NUT
48	73731000		NUT
49	19070818		WASHER
50	132635X424		SUB= 150301X424
51	7206J		SPACER LT
52	74981020		SCREW
53	73220400		SUB= 50675
54	19091216		WASHER PM
55	131681		SUB= 131681X431
56	73680400		SUB= 73690400
57	123481X		SUB= 7605J
58	121248X		BUSHING
59	121249X		SPACER SPLIT
60	123740X		SPRING COMPRESSED
61	132639X424		SIDE PANEL RH
62	132638X424		SIDE PANEL LH
63	104618X		SUB= 155013
64	106784X		SUB= 155013

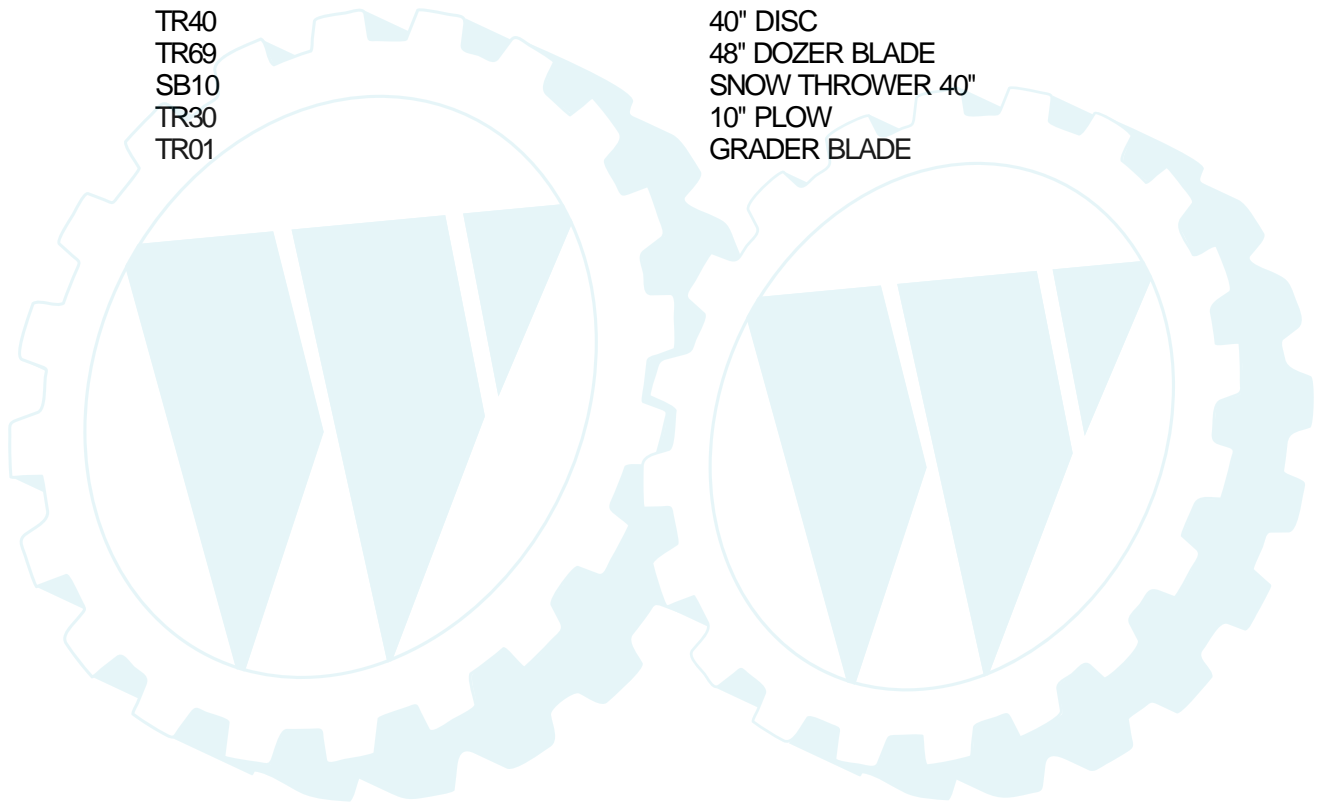
Ref #	Part Number	Qty	Description
65	2029J		WELDNUT
66	10071000		LOCKWASHER
67	106395X		LENS LT
68	124392X417		SUB= 147717
69	74191008		SCREW
70	104755X		"J" FASTENER LT"
71	17211010		SCREW LT
72	109808X		HOOD LATCH T
73	74640806		SCREW
74	74760612		SUB= 74780612
75	139227		SUB= 139277
76	10100800		"WASHER,LOCK"
77	123825X		CONSOLE SHIFTER
78	4171R		CLIP T
79	73951000		"NUT,KEPS"
80	74641008		SUB= 71031008
81	123976X		SUB= 73900400
82	127018X		"BOLT,SHOULDER"
83	72050411		SUB= 872050411
84	121251X		STRIP FORM
85	19131614		WASHER
86	19060718		WASHER
87	17490608		SCREW LT
88	17490508		SCREW LT
89	109227X		PAD IDLER TI
90	132644		SUB= 532132644
91	19131210		WASHER
92	19091016		WASHER

18 HP 44" TRACTOR - - MODEL NUMBER 4180-34

DECALS

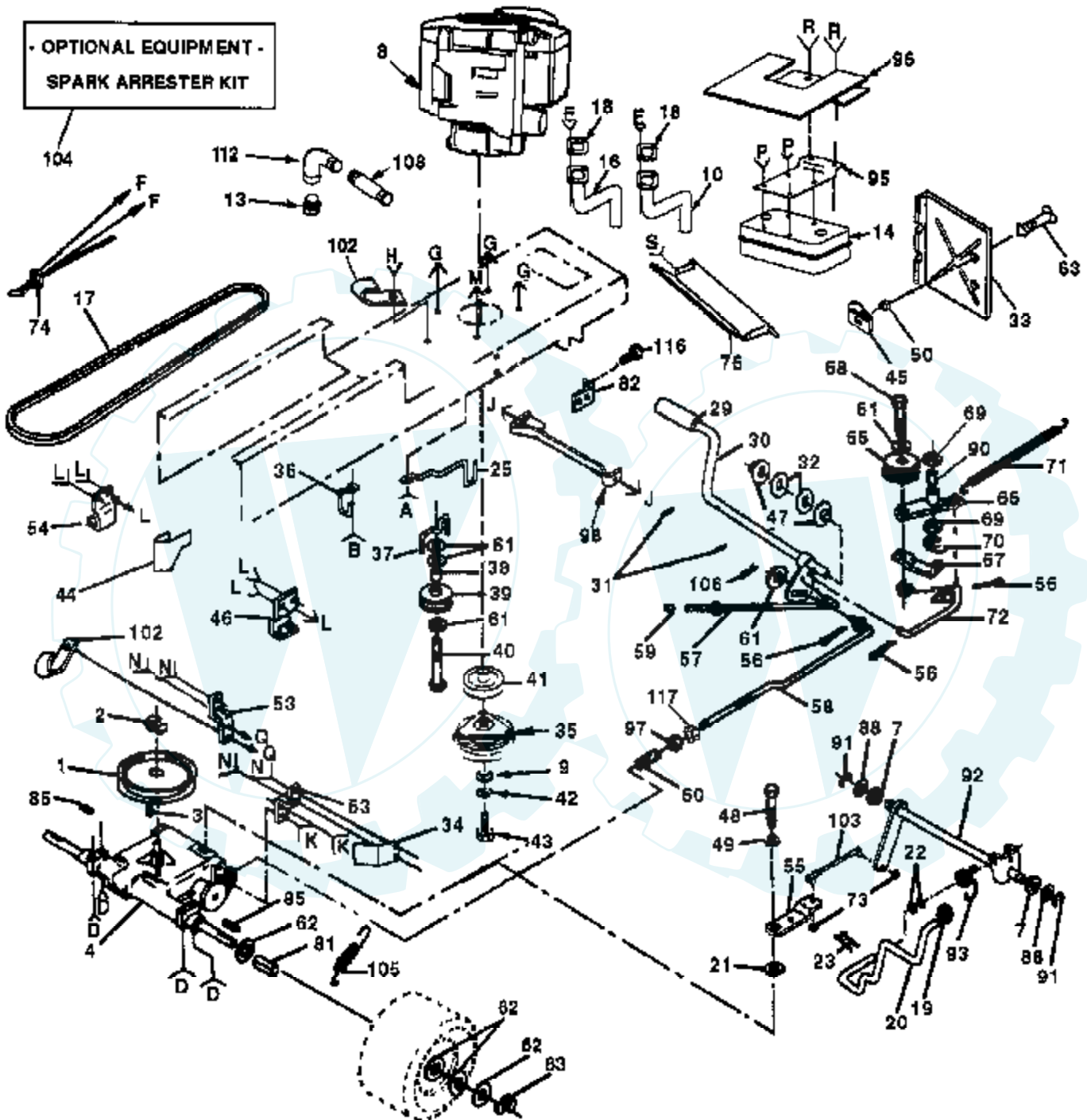


Ref #	Part Number	Qty	Description
1	136794		SUB= 138955
2	135344		HOOD DECAL LH
3	135343		NLA
4	135341		GRILL DECAL
5	135062		NAMEPLATE LOGO
7	4900J		DECAL T
8	106202X		REFLECTOR-TAIL YT
9	135339		NLA
11	135619		NLA
12	136834		SUB= 139346
13	121549X		DECAL
	138311		DECAL HANDLE LIFT
	139199		MANUAL.O.4180-34
	TS15		P.T.O. TILLER
	TR40		40" DISC
	TR69		48" DOZER BLADE
	SB10		SNOW THROWER 40"
	TR30		10" PLOW
	TR01		GRADER BLADE



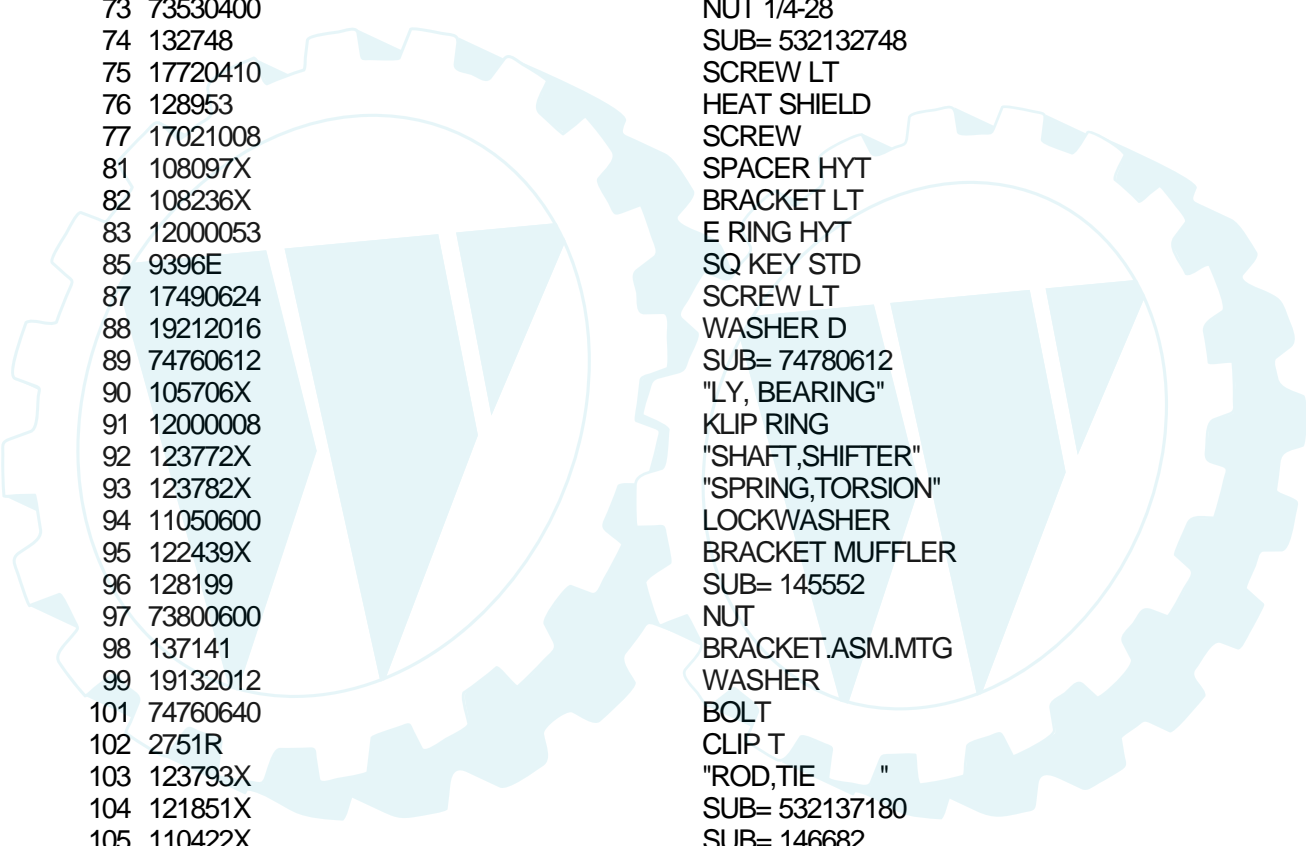
18 HP 44" TRACTOR -- MODEL NUMBER 4180-34

DRIVE



- | A | B | D | E | F | G | H | J | K | L | M | N | P | Q | R | S |
|----|----|----|-----|----|----|----|----|-----|----|----|----|----|----|----|----|
| 26 | 24 | 52 | 15 | 75 | 87 | 28 | 5 | 101 | 89 | 87 | 24 | 11 | 12 | 12 | 77 |
| 27 | 27 | 6 | 110 | | | | 64 | 51 | 28 | 94 | | | | 99 | |
| 28 | | 51 | | | | | 51 | | | | | | | | |

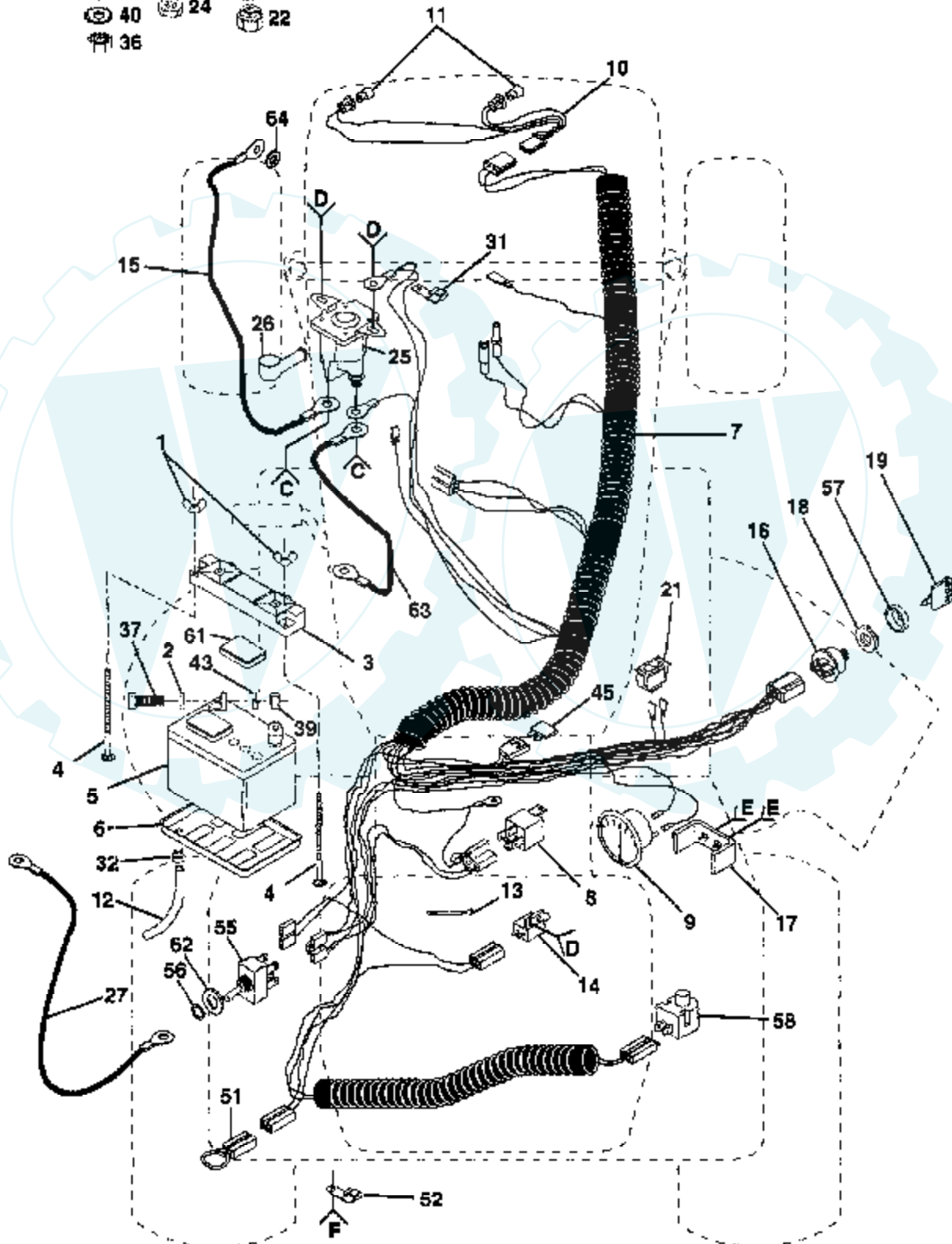
Ref #	Part Number	Qty	Description
1	121327X		PULLEY TRANSAXLE
3	2228M		SUB= 2228M1
4	138788		TRANSAX. PRLES.
5	72140506		BOLT
6	19111214		WASHER
7	71208		BUSHING
8	1422707		ENGINE
9	126197X		WASHER
10	136988		SUB= 144068
11	17190408		SCREW ST
12	17490512		SCREW
13			CHECK WITH SUPPLIER
14	137978		SUB= 149723
15	74780412		SUB= 74780414
16	136989		EXHAUST ASM LH
17	123796X		BELT.GRDRV.94.75
18	8545J		SUB= 272250
19	106933X		KNOB T (1/2-HOLE)
20	123781X		SUB= 141002
21	105701X		WASH-SHFT PLT LT
22	19171216		WASHER
23	76020416		PIN COTTER 1/8
24	17490612		SCREW
25	129921		KEEPER.BELT.ENG.L
26	74760616		BOLT
27	19131312		WASHER
28	73680600		SUB= 73690600
29	8883R		PEDAL COVER T
30	122424X		SUB= 149001
31	1572H		SUB= 2882J
32	19211616		WASHER LT
33	133746		HEAT SHIELD
34	123792X		"KEEPER,BELT RH"
35	137140		SUB= 142600
36	136715		SUB= 140312
37	109070X		BELT KEEPER LT
38	4470J		SPACER T
39	123674X		PULLEY.IDLER.FLAT
40	74760644		BOLT
41	136906		PULLEY ENGINE
42	10040700		LOCKWASHER
43	71170768		SUB= 150280
44	123791X		KEEPER BELT LH
45	105839X		RECEPTACLE LT
46	123776X		BRKT TRANS RH
47	120183X		NYLON BEARING
48	71040412		SUB= 74550412
49	19091216		WASHER PM
50	105838X		RETAINER LT
51	73680500		SUB= 73690500
52	74760540		BOLT
53	123787X		STRAP TORQUE
54	123780X		BRKT TRANS LH
55	123794X		"ARM,SHIFT"
56	76020412		COTTER PIN
57	133261		BRAKE PARK ROD
58	123786X		ROD BRAKE
59	71673		PLUNGER CAP T

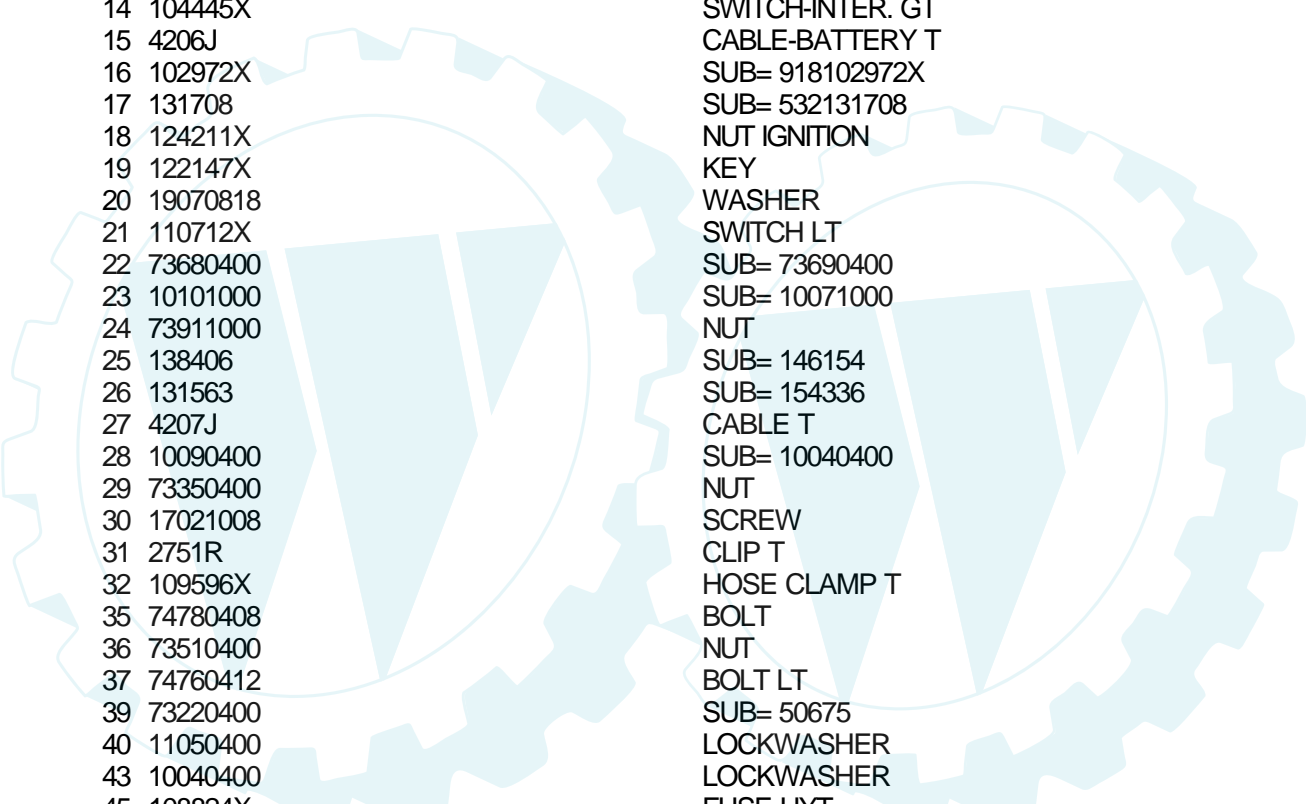


Ref #	Part Number	Qty	Description
60	126909X		"SPRING,ROD BRAKE"
61	19131316		WASHER
62	123800X		WASHER
63	123650X		STUD.1/4.TURN
64	19111012		WASHER T
65	127783		SUB= 139245
66	123789X		ARM IDLER
67	123205X		RETAIN BELT
68	74760624		SUB= 74930624
69	110812X		WASHER LT
70	12000039		KLIP RING
71	105709X		"SPRING, RETURN LT"
72	105710X		"LINK, CLUTCH T"
73	73530400		NUT 1/4-28
74	132748		SUB= 532132748
75	17720410		SCREW LT
76	128953		HEAT SHIELD
77	17021008		SCREW
81	108097X		SPACER HYT
82	108236X		BRACKET LT
83	12000053		E RING HYT
85	9396E		SQ KEY STD
87	17490624		SCREW LT
88	19212016		WASHER D
89	74760612		SUB= 74780612
90	105706X		"LY, BEARING"
91	12000008		KLIP RING
92	123772X		"SHAFT,SHIFTER"
93	123782X		"SPRING,TORSION"
94	11050600		LOCKWASHER
95	122439X		BRACKET MUFFLER
96	128199		SUB= 145552
97	73800600		NUT
98	137141		BRACKET.ASM.MTG
99	19132012		WASHER
101	74760640		BOLT
102	2751R		CLIP T
103	123793X		"ROD,TIE "
104	121851X		SUB= 532137180
105	110422X		SUB= 146682
106	4497H		RETAINER M
108	13280336		PIPE NIPPLE LT
110	10040400		LOCKWASHER
112	13200300		ELBOW
116	17021008		SCREW
117	73350600		NUT

18 HP 44" TRACTOR - - MODEL NUMBER 4180-34

ELECTRICAL

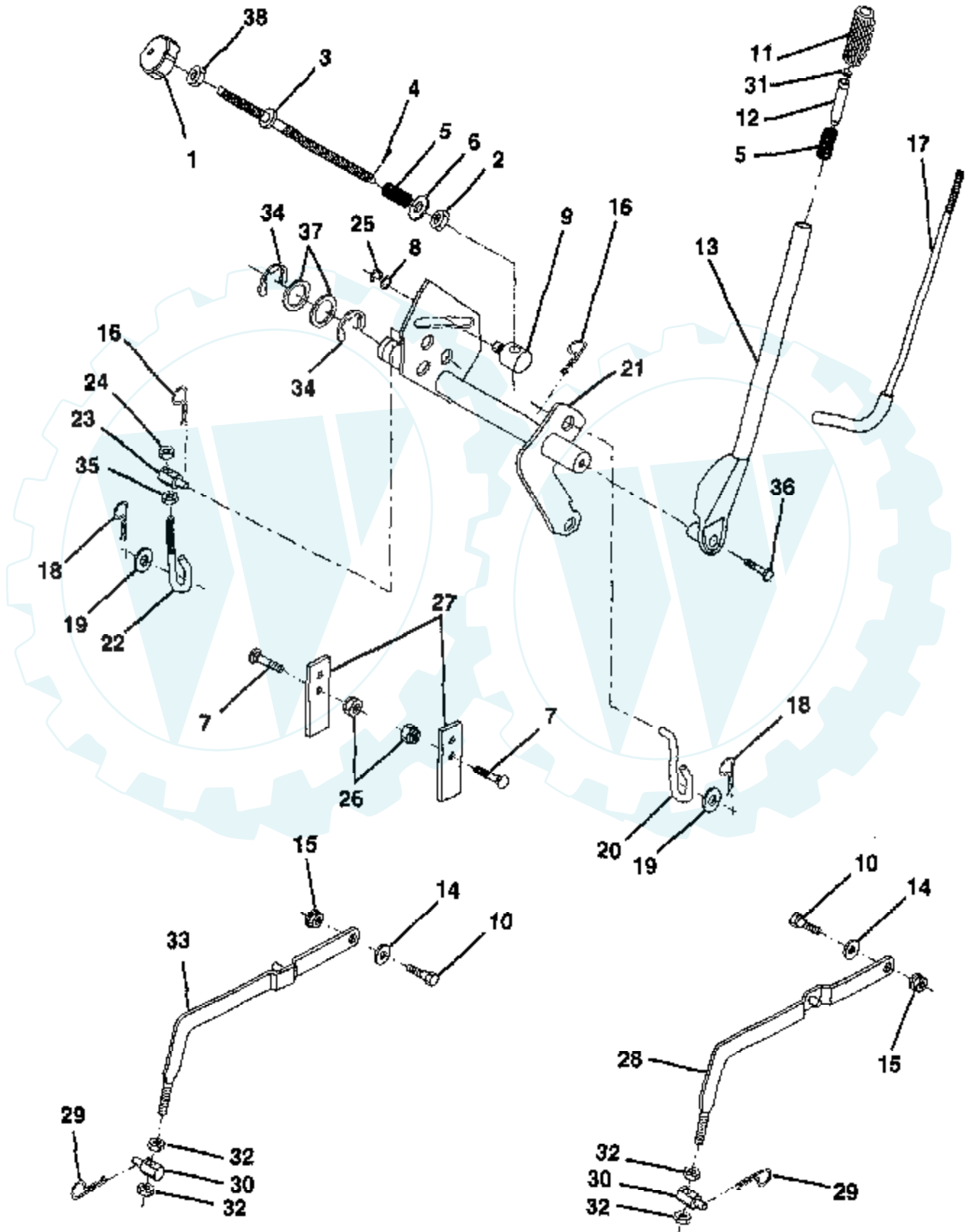




Ref #	Part Number	Qty	Description
1	123198X		SUB= 146525
2	19091016		WASHER
3	102476X		SUB= 150109
4	72240460		BOLT
5	121537X		SUB= 123899X
6	7603J		"TRAY T, BATTERY"
7	139448		HARNESS.IGN
8	109748X		RELAY ASSY T
9	9433R		AMMETER T
10	136849		SUB= 136850
11	7662J		SUB= 4152J
12	7697J		"DRAIN TU T, BATT"
13	7192J		WIRE TIE
14	104445X		SWITCH-INTER. GT
15	4206J		CABLE-BATTERY T
16	102972X		SUB= 918102972X
17	131708		SUB= 532131708
18	124211X		NUT IGNITION
19	122147X		KEY
20	19070818		WASHER
21	110712X		SWITCH LT
22	73680400		SUB= 73690400
23	10101000		SUB= 10071000
24	73911000		NUT
25	138406		SUB= 146154
26	131563		SUB= 154336
27	4207J		CABLE T
28	10090400		SUB= 10040400
29	73350400		NUT
30	17021008		SCREW
31	2751R		CLIP T
32	109596X		HOSE CLAMP T
35	74780408		BOLT
36	73510400		NUT
37	74760412		BOLT LT
39	73220400		SUB= 50675
40	11050400		LOCKWASHER
43	10040400		LOCKWASHER
45	108824X		FUSE HYT
51	102501X		SUB= 141940
52	235R		CLIPT
55	126016X		SUB= 4021J
56	4022J		HEX NUT T
57	123620X		SUB= 141226
58	121305X		SWITCH SEAT
61	121264X		"CAP,BATTERY "
62	19171216		WASHER
63	4799J		"CABLE T, BATTERY"
64	11150400		LOCKWASHER

18 HP 44" TRACTOR -- MODEL NUMBER 4180-34

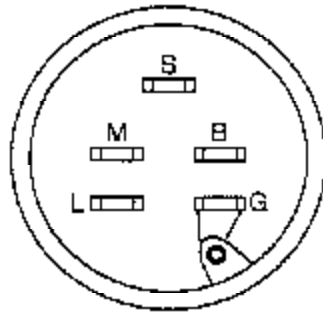
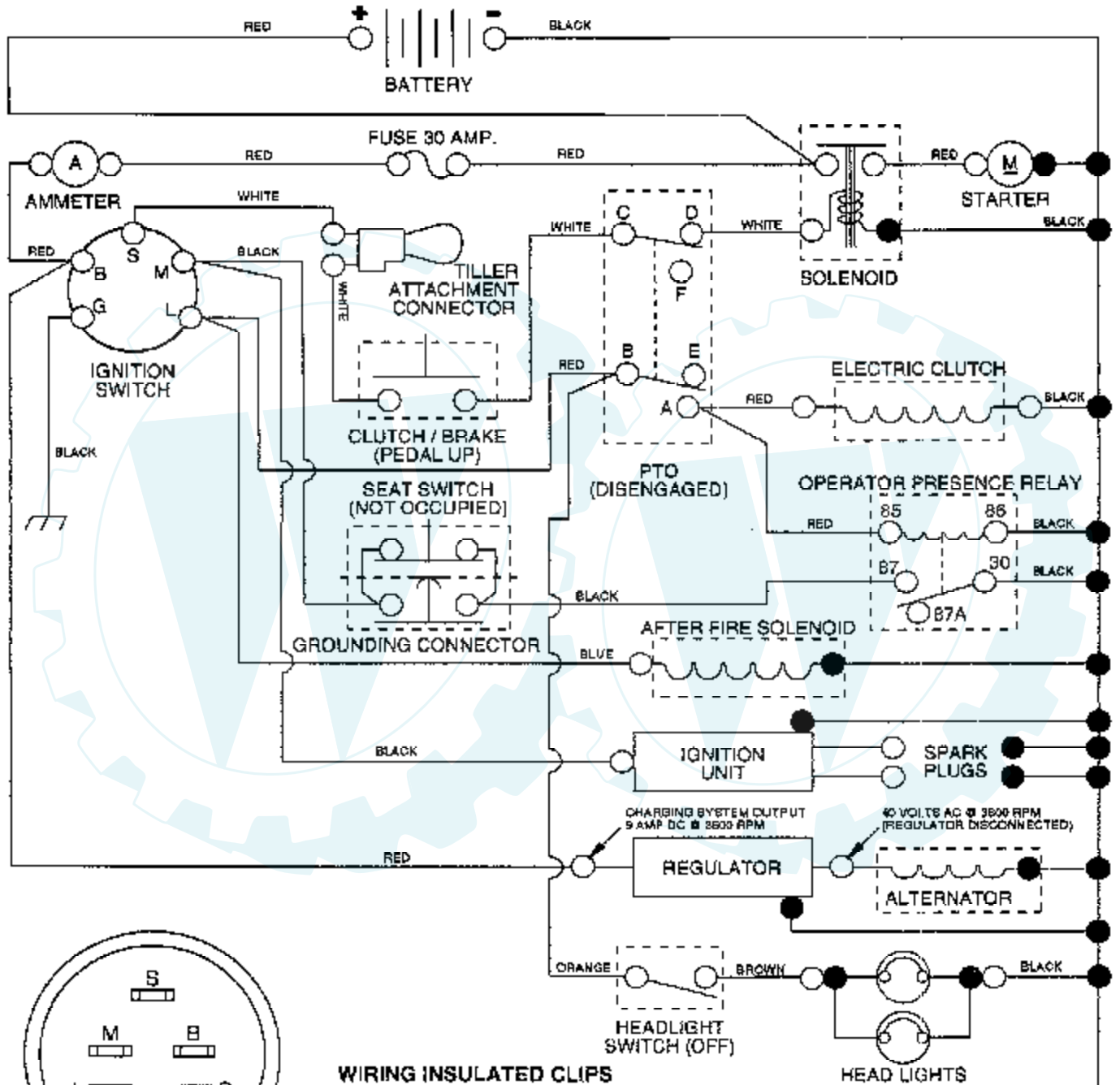
LIFT ADJUSTMENT



Ref #	Part Number	Qty	Description
1	138057		KNOB INF 3/8-16
2	110807X		NUT T
3	110729X		ROD LIFT LT
4	76020308		SUB= 3145
5	2876H		SPRING T
6	19131016		WASHER
7	72140608		SUB= 72110608
8	19151216		WASHER
9	110810X		TRUNION LT
10	105848X		"BOLT, SHOULDER LT"
11	109413X		GRIP
12	122364X		SUB= 125925X
13	121002X		SUB= 123096X
14	110739X		WASHER T
15	73980600		NUT SPECIAL T
16	4939M		SUB= 85902
17	121006X		LEVER ROD LT
18	4921H		SPRING.RETAINER
19	19171516		WASHER T
20	110029X		LIFT LINK LT
21	131926		SUB= 532131926
22	110448X		PIVOT PIN T
23	110447X		SUB= 132793
24	73710700		NUT LOCK YTH
25	73680600		SUB= 73690600
27	121252X		UPSTOP
28	121598X		RH SUSP ARM ASM
29	9135R		SPRING H
30	106308X		SUB= 130171
31	124526X		SUB= 125925X
32	73220800		NUT
33	121599X		LH SUSP ARM ASM
34	12000022		E-RING
35	73360700		NUT
36	74780624		"BOLT,HEX"
37	19192016		
38	73350600		NUT

18 HP 44" TRACTOR -- MODEL NUMBER 4180-34

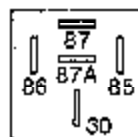
SCHEMATIC



IGNITION SWITCH

POSITION	CIRCUIT
OFF	M + G
ON	B + L
START	B + S + L

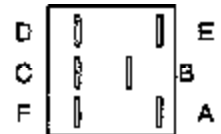
WIRING INSULATED CLIPS
NOTE: IF WIRING INSULATED CLIPS WERE REMOVED FOR SERVICING OF UNIT, THEY SHOULD BE REPLACED TO PROPERLY SECURE YOUR WIRING



RELAY

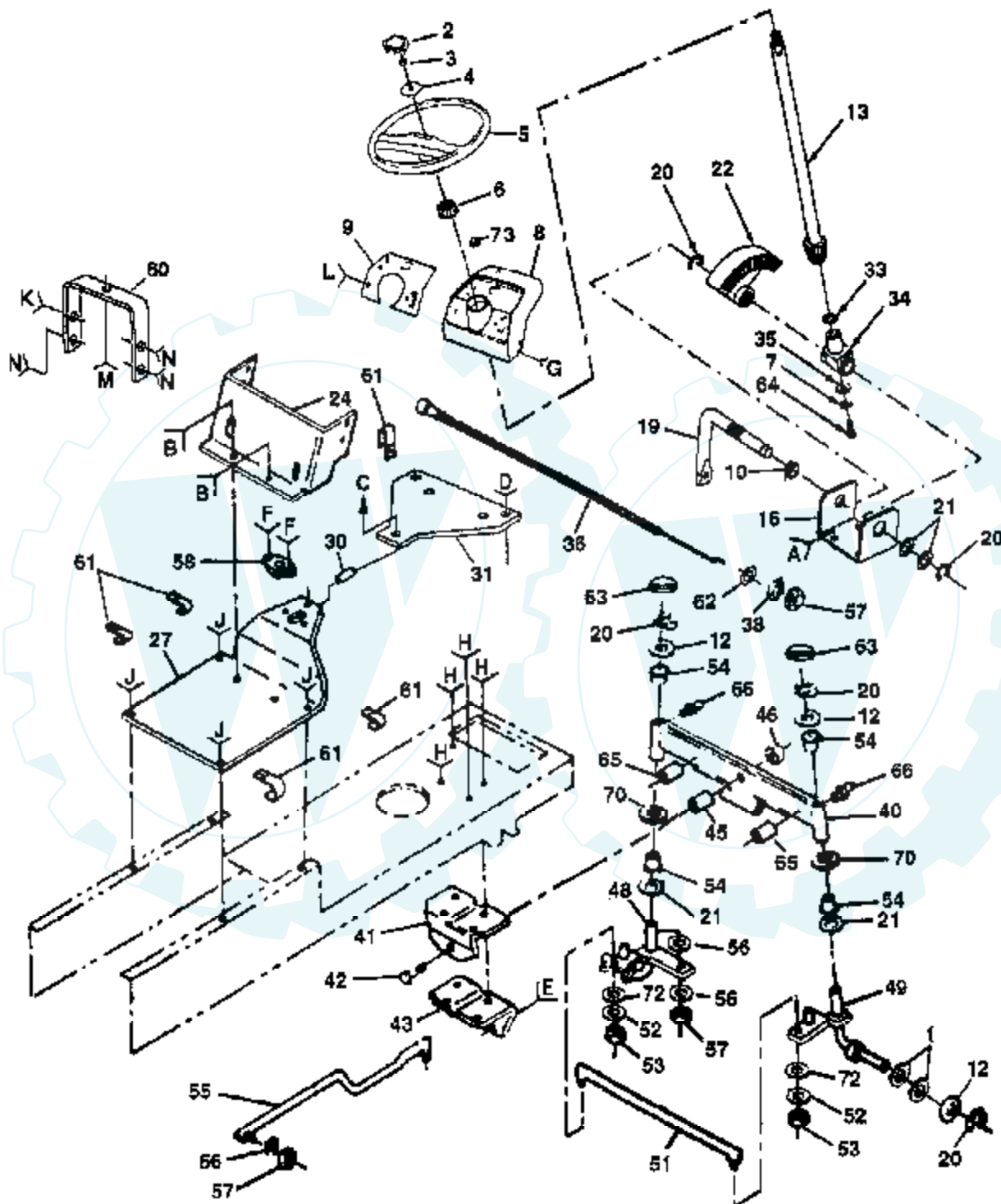
POSITION	CIRCUIT
OFF	B + E, C + D
ON	B + A, C + F

- NON-REMOVABLE CONNECTIONS
- REMOVABLE CONNECTIONS

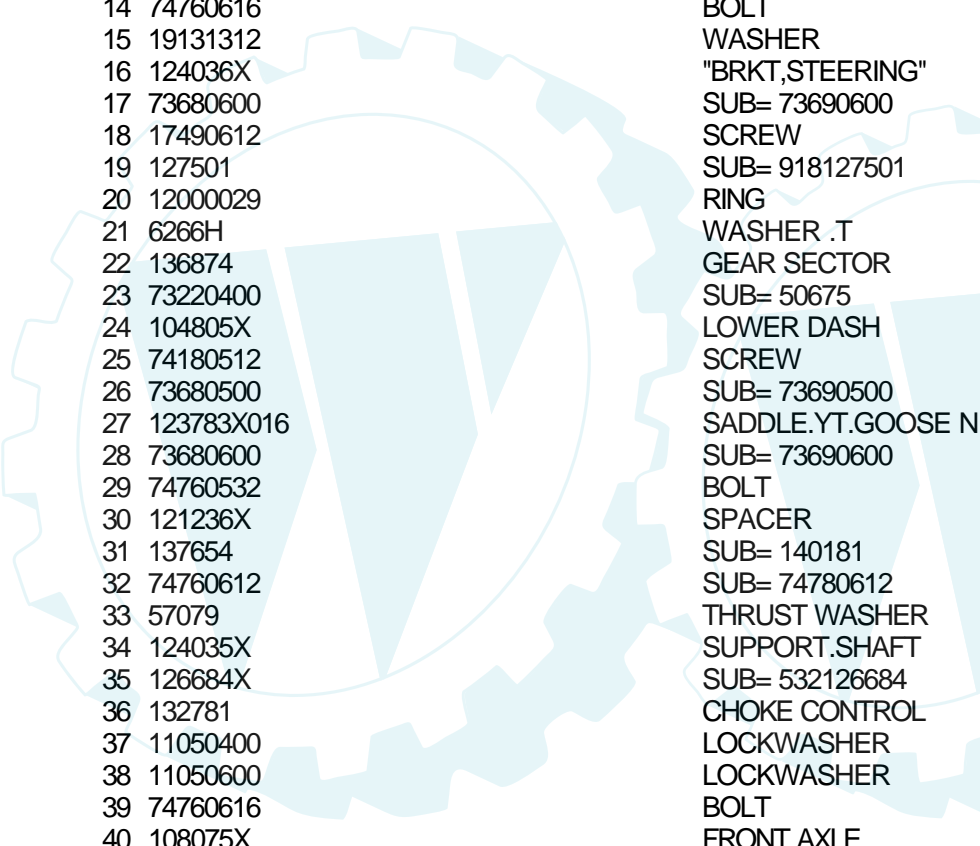


18 HP 44" TRACTOR -- MODEL NUMBER 4180-34

STEERING ASSEMBLY

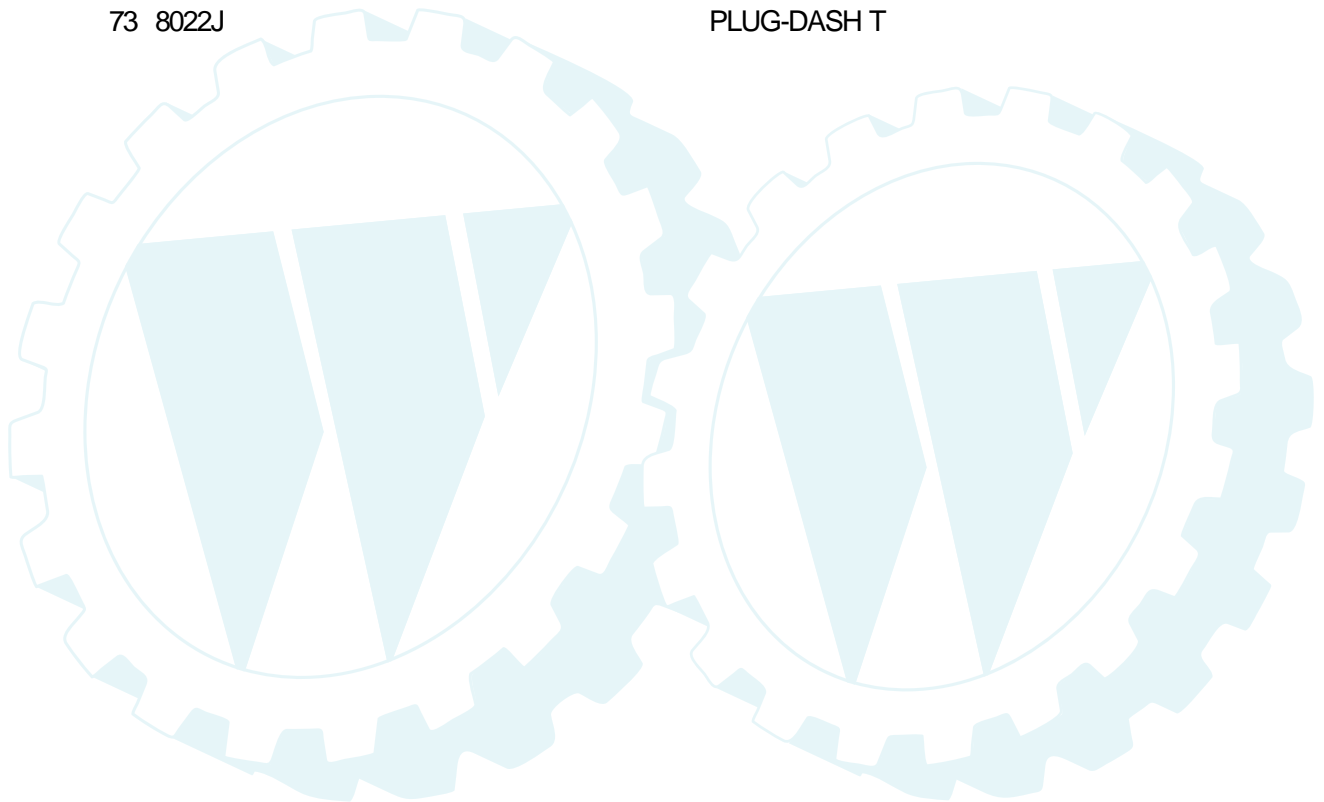


- | A | B | C | D | E | F | G | H | J | K | L | M | N |
|---|---|---|---|---|---|---|---|---|---|---|---|---|
| | | | | | | | | | | | | |
| | | | | | | | | | | | | |
| | | | | | | | | | | | | |



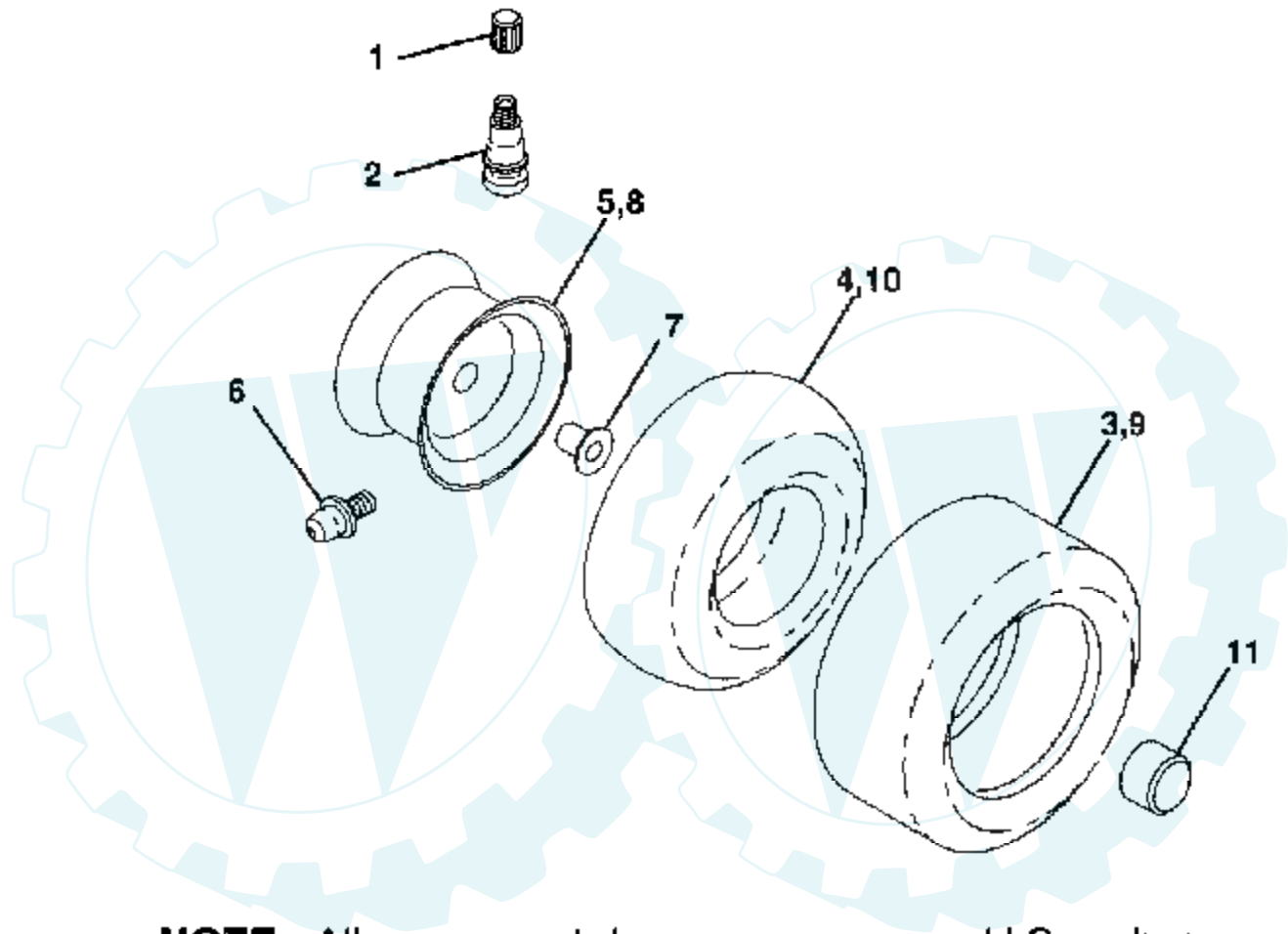
Ref #	Part Number	Qty	Description
1	121749X		WASHER
2	126805X		"INSERT,STR WHEEL"
3	73940800		SUB= 73360800
4	100712K		WASHER
5	121472X		SUB= 150546
6	100711L		ADAPTER LT
7	10040400		LOCKWASHER
8	124252X		SUB= 140398
9	121444X020		PLATE.DASH.SLKSCR
10	109816X		NYLINER T
11	17490608		SCREW LT
12	121748X		WASHER
13	128762		SUB= 156544
14	74760616		BOLT
15	19131312		WASHER
16	124036X		"BRKT,STEERING"
17	73680600		SUB= 73690600
18	17490612		SCREW
19	127501		SUB= 918127501
20	12000029		RING
21	6266H		WASHER .T
22	136874		GEAR SECTOR
23	73220400		SUB= 50675
24	104805X		LOWER DASH
25	74180512		SCREW
26	73680500		SUB= 73690500
27	123783X016		SADDLE.YT.GOOSE N
28	73680600		SUB= 73690600
29	74760532		BOLT
30	121236X		SPACER
31	137654		SUB= 140181
32	74760612		SUB= 74780612
33	57079		THRUST WASHER
34	124035X		SUPPORT.SHAFT
35	126684X		SUB= 532126684
36	132781		CHOKE CONTROL
37	11050400		LOCKWASHER
38	11050600		LOCKWASHER
39	74760616		BOLT
40	108075X		FRONT AXLE
41	105663X		SUPPORT-SADDL T
42	74761060		BOLT LT
43	105664X		SUPPORT.SADDLE.FT
44	11050600		LOCKWASHER
45	110438X		BEARING
46	73901000		"NUT-LOC,FLANGE LT"
47	17490508		SCREW LT
48	135227		SPINDLE LH
49	135228		SPINDLE RH
50	74760612		SUB= 74780612
51	130467		TIE ROD
52	10040500		LOCKWASHER
53	73810500		NUT.LOCK.5/16-24
54	3366R		COL. SRTG. BEAR.
55	130468		SUB= 532130468
56	10040600		LOCKWASHER
57	73610600		SUB= 7810H
58	1554J		SUB= 155108

Ref #	Part Number	Qty	Description
59	17431008		SUB= 98000165
60	124130X		SUPPORT ASSY
61	2751R		CLIP T
62	19131316		WASHER
63	121232X		CAP
64	71070410		"SCREW,SPECIAL"
65	132624		AXLE PIN
66	6855M		ZERK M
67	74180512		SCREW
68	19111116		WASHER
69	73510500		NUT
70	19272016		WASHER
71	122819X		SCREW SPECIAL
72	19111216		WASHER M
73	8022J		PLUG-DASH T



18 HP 44" TRACTOR - - MODEL NUMBER 4180-34

WHEELS AND TIRES



NOTE: All component dimensions given in U S inches
1 inch = 25.4 mm

Ref #	Part Number	Qty	Description
1	59192		VALVE CAP
2	65139		VALVE STEM LT
3	106222X		SUB= 122073X
4	59904		TUBE.5.3/4.5/6
5	106732X361		SUB= 106732X417
6	278H		FITTING LT
7	9040H		"FLANGE, BEARING"
8	124074X361		SUB= 124074X417
9	124106X		SUB= 138756
10	7154J		TUBE.23X8/10-12
11	104757X		HUB CAP

