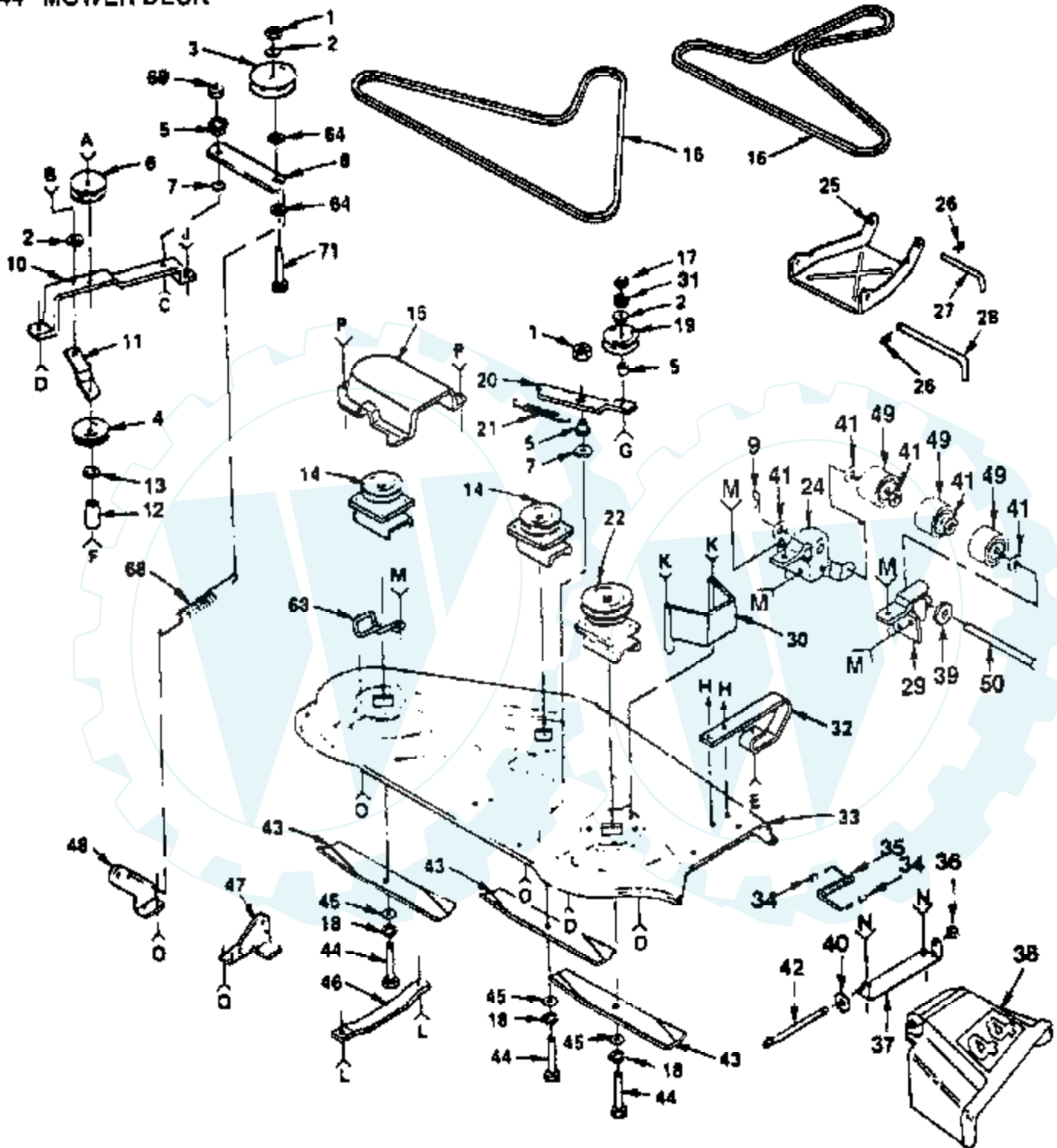


18 HP 44" TRACTOR -- MODEL NUMBER 4180-24B

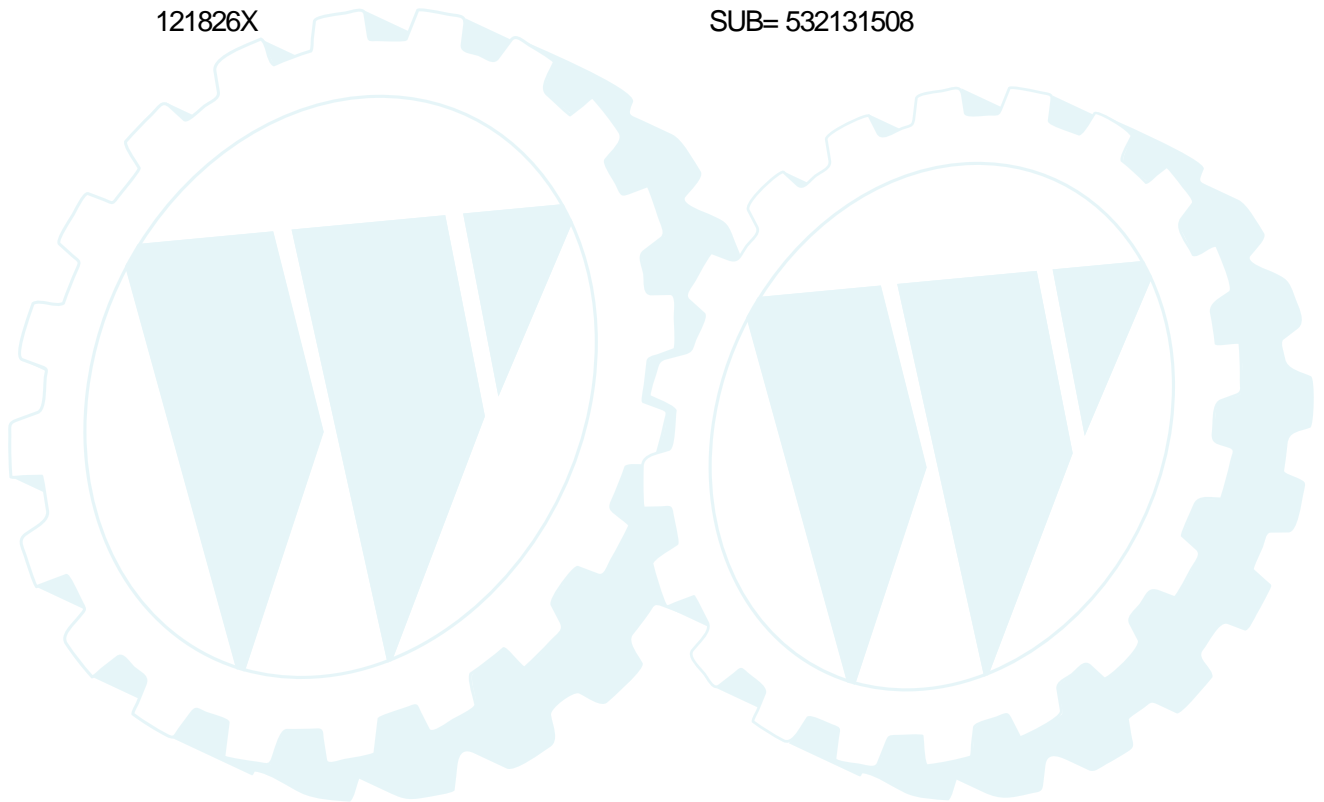
44" MOWER DECK



- | A | B | C | D | E | F | G | H | J | K | L | M | N | O | P | Q |
|----|----|----|----|----|----|----|----|----|----|----|----|----|----|----|----|
| 51 | 52 | 53 | 54 | 55 | 58 | 59 | 55 | 23 | 62 | 60 | 55 | 55 | 65 | 70 | 67 |
| 65 | 2 | | | 56 | 72 | 1 | 72 | 1 | 61 | 57 | 61 | 57 | | 56 | 1 |
| 2 | 1 | | | 72 | 1 | | | | 61 | | 57 | | | 57 | |
| 1 | | | | | | | | | 57 | | | | | | |

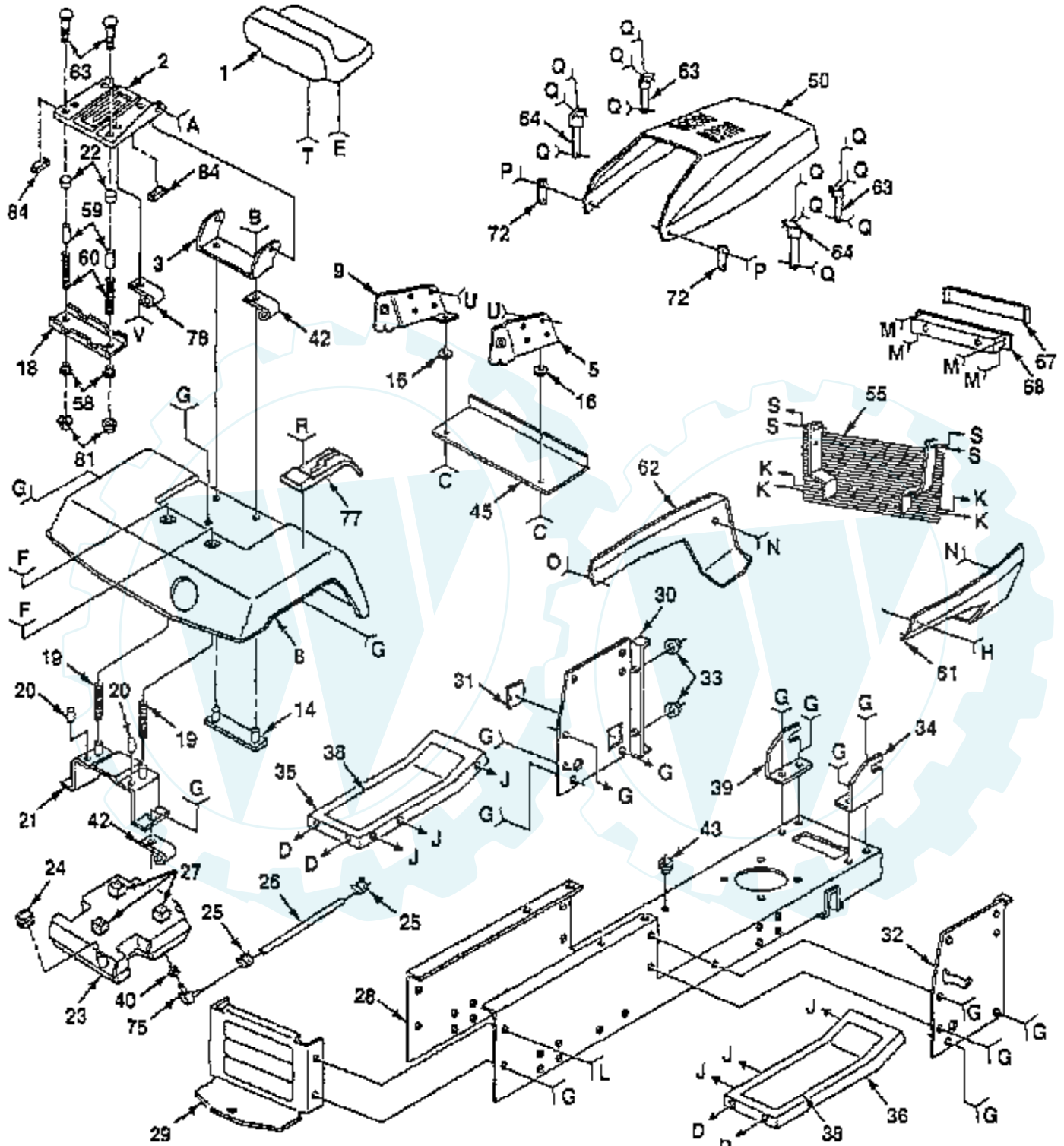
Ref #	Part Number	Qty	Description
1	73680600		SUB= 73690600
2	19131614		WASHER
3	121316X		PULLEY IDLER
4	102403X		IDLER-FLAT T
5	106902X		SPACER RETAINER
6	677A451		IDLER-INSIDE T
7	106513X		"WASHER, WEAR LT"
8	121425X		ARM IDLER
9	76020412		COTTER PIN
10	106523X		"SUPPORT YT, BAR"
11	106522X		BRACE-IDLER YT
12	121236X		SPACER
13	19131316		WASHER
14	121658X		SUB= 136819
15	106214X		GUARD YT
16	106085X		BELT-V.79.1.MWR
17	73220600		NUT.HEX.3/8-16UNC
18	10030600		SUB= 10040600
19	102932X		IDLER.FLAT.GTV
20	106526X		ARM-IDLER YT
21	7644J		SPRING T
22	121705X		JACKSHAFT
23	74760616		BOLT
24	109599X		BRACKET LH YTH
25	105662X		LINK.PARALLEL
26	4921H		SPRING.RETAINER
27	105744X		"ROD, FRT. PARAL T"
28	109835X		HINGE PIN T
29	109600X		BRACKET RH YTH
30	108119X		GUARD BELT HYT
31	10040600		LOCKWASHER
32	8418J		SUB= 136321
33	121423X		SUB= 144729
34	105304X		CAP-SLEEVE LT
35	106734X		SUB= 123713X
36	110452X		NUT PUSH M
37	109743X		SUB= 137607
38	109785X		DEFLECTOR SHIELD
39	19151616		SUB= 19171616
40	19111016		WASHER
41	19151610		WASHER T
42	106735X		ROD-HINGE T
43	106635X		SUB= 25034
44	74610624		BOLT.3/8-24X1-1/2
45	19132012		WASHER
46	7631J		RUNNER-LH M
47	123807X		BRKT SUSP REAR RH
48	123808X		BRKT SUSP REAR LH
49	109729X		ROLLER T
50	109776X		PIVOT PIN T
51	72140614		BOLT
52	72140608		SUB= 72110608
53	72140612		BOLT
54	74760620		SUB= 74780620
55	72140506		BOLT
56	19111116		WASHER
57	73680500		SUB= 73690500
58	74760648		BOLT - HEX 3/8 - 16 X 3

Ref #	Part Number	Qty	Description
59	74110632		SCREW YT
60	72110505		BOLT
61	19111216		WASHER M
62	74760580		BOLT
63	121352X		BELT RETIANER
64	19131210		WASHER
65	19131410		WASHER
66	17490612		SCREW
67	72140608		SUB= 72110608
68	102727X		"SPRING.EXT.8.5""
69	73930600		LOCKNUT
70	72110506		SUB= 72270506
71	72140620		BOLT
72	1685H		SUB= 68478
	121826X		SUB= 532131508



18 HP 44" TRACTOR -- MODEL NUMBER 4180-24B

CHASSIS AND ENCLOSURES



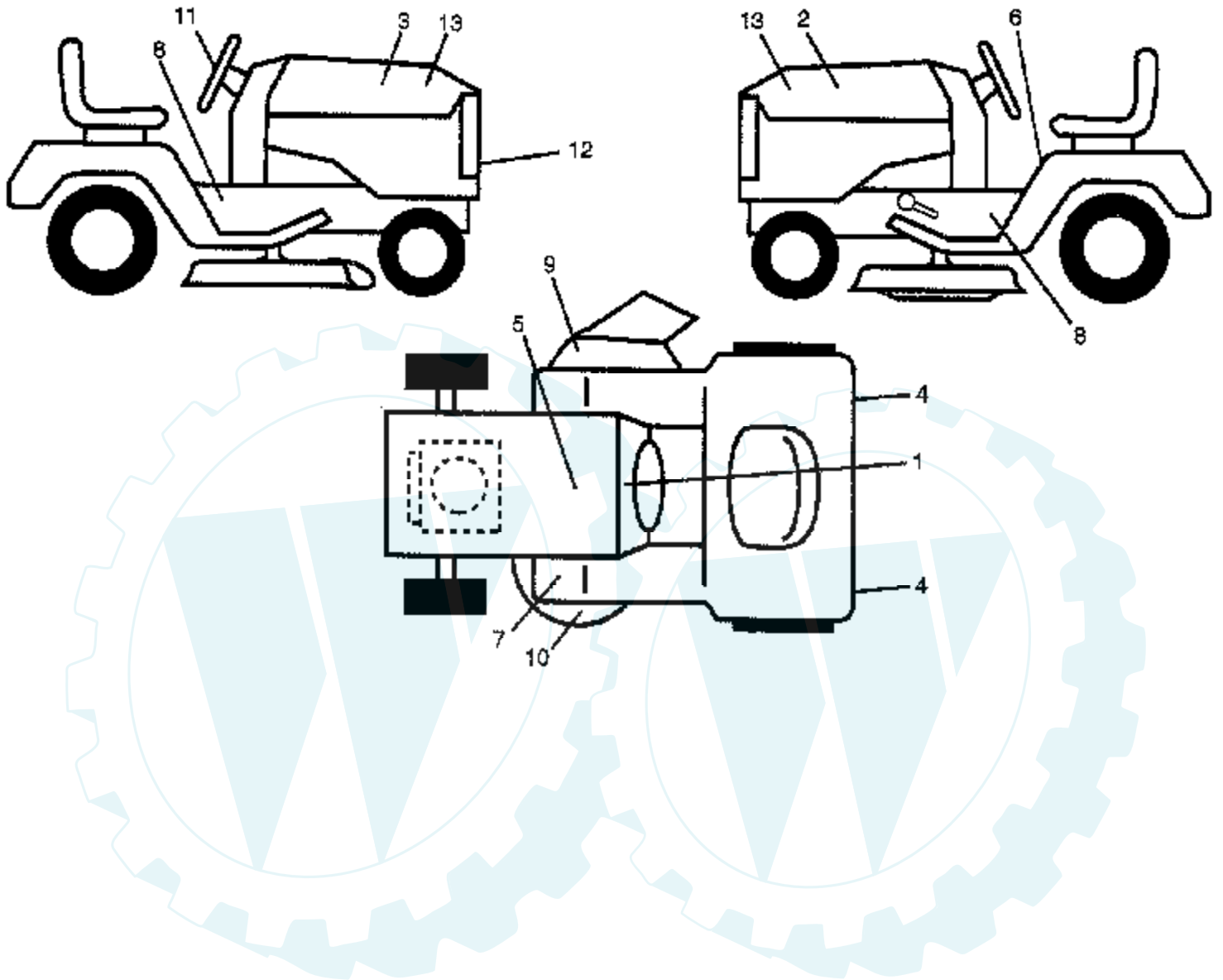
- | | | | | | | | | | | | | | | | | | | | | | |
|---|---|----|----|----|----|----|----|----|----|----|----|----|----|----|----|----|----|----|----|----|--|
| A | B | C | D | E | F | G | H | J | K | L | M | N | O | P | Q | R | S | T | U | V | |
| 4 | 7 | 17 | 13 | 10 | 85 | 11 | 52 | 37 | 47 | 74 | 71 | 54 | 41 | 69 | 46 | 73 | 57 | 82 | 44 | 80 | |
| 6 | | | 12 | 15 | 7 | | 51 | 7 | 7 | 7 | 70 | 53 | | 66 | | 76 | 86 | 56 | | 79 | |
| | | | | | | | 49 | | | | | | | | | | | | | | |
| | | | | | | | 48 | | | | | | | | | | | | | | |

Ref #	Part Number	Qty	Description
1	127429		SUB= 140121
2	131451		SUB= 155925
3	126656X		SUB= 140551
4	105529X		SUB= 139888
5	110854X		SUPPORT RH YTH
6	73680500		SUB= 73690500
7	73680600		SUB= 73690600
8	123784X424		FENDER
9	110855X		SUPPORT LH YTH
10	120068X		"KNOB 1/2"" YT"
11	17490612		SCREW
12	19131312		WASHER
13	74760612		SUB= 74780612
14	105511X		SUB= 140675
15	19171912		WASHER
16	19111212		WASHER
17	17190412		SCREW
18	121246X		BRKT SWITCH
19	124181X		SPRING COMPRESSIO
20	105531X		NUT-PUSH YT
21	105509X		SUB= 137113
22	124238X		CAP SPRING
23	106020X		SUB= 151346
24	123549X		SUB= 158990
25	123487X		HOSE CLAMP
26	8543R		FUEL LINE T
27	106082X		PAD-SPACER LT
28	127166X		CHASSIS
29	123785X		DRAW BAR
30	124118X		PANEL DASH LH
31	121794X		COVER ACCESS
32	133748		DASH PANEL RH
33	9151R		SNAP BUSHING T
34	110853X		SUPPORT RH YTH
35	105465X424		SUB= 145244X424
36	105464X424		SUB= 145243X424
37	72110606		BOLT
38	133671		FOOTREST PAD
39	110852X		SUPPORT LH YTH
40	3645J		BUSHING OUTLET T
41	123198X		SUB= 146525
42	2751R		CLIP T
43	110436X		SUB= 9151R
44	17490512		SCREW
45	105419X424		"STRAP,GRILL"
46	73510400		NUT
47	74760616		BOLT
48	73731000		NUT
49	19070818		WASHER
50	132635X424		SUB= 150301X424
51	7206J		SPACER LT
52	74981020		SCREW
53	73220400		SUB= 50675
54	19091216		WASHER PM
55	122100X		GRILL ASSY
56	73680400		SUB= 73690400
57	123481X		SUB= 7605J
58	121248X		BUSHING

Ref #	Part Number	Qty	Description
59	121249X		SPACER SPLIT
60	123740X		SPRING COMPRESSED
61	132639X424		SIDE PANEL RH
62	132638X424		SIDE PANEL LH
63	104618X		SUB= 155013
64	106784X		SUB= 155013
65	2029J		WELDNUT
66	10071000		LOCKWASHER
67	106395X		LENS LT
68	124392X417		SUB= 147717
69	74191008		SCREW
70	104755X		""J"" FASTENER LT"
71	17211010		SCREW LT
72	109808X		HOOD LATCH T
73	74640806		SCREW
74	74760612		SUB= 74780612
75	8710J		FUEL TANK STEM GT
76	10100800		"WASHER,LOCK"
77	123825X		CONSOLE SHIFTER
78	4171R		CLIP T
79	73951000		"NUT,KEPS"
80	74641008		SUB= 71031008
81	123976X		SUB= 73900400
82	127018X		"BOLT,SHOULDER"
83	72050411		SUB= 872050411
84	121251X		STRIP FORM
85	19131614		WASHER
86	19060718		WASHER

18 HP 44" TRACTOR - - MODEL NUMBER 4180-24B

DECALS

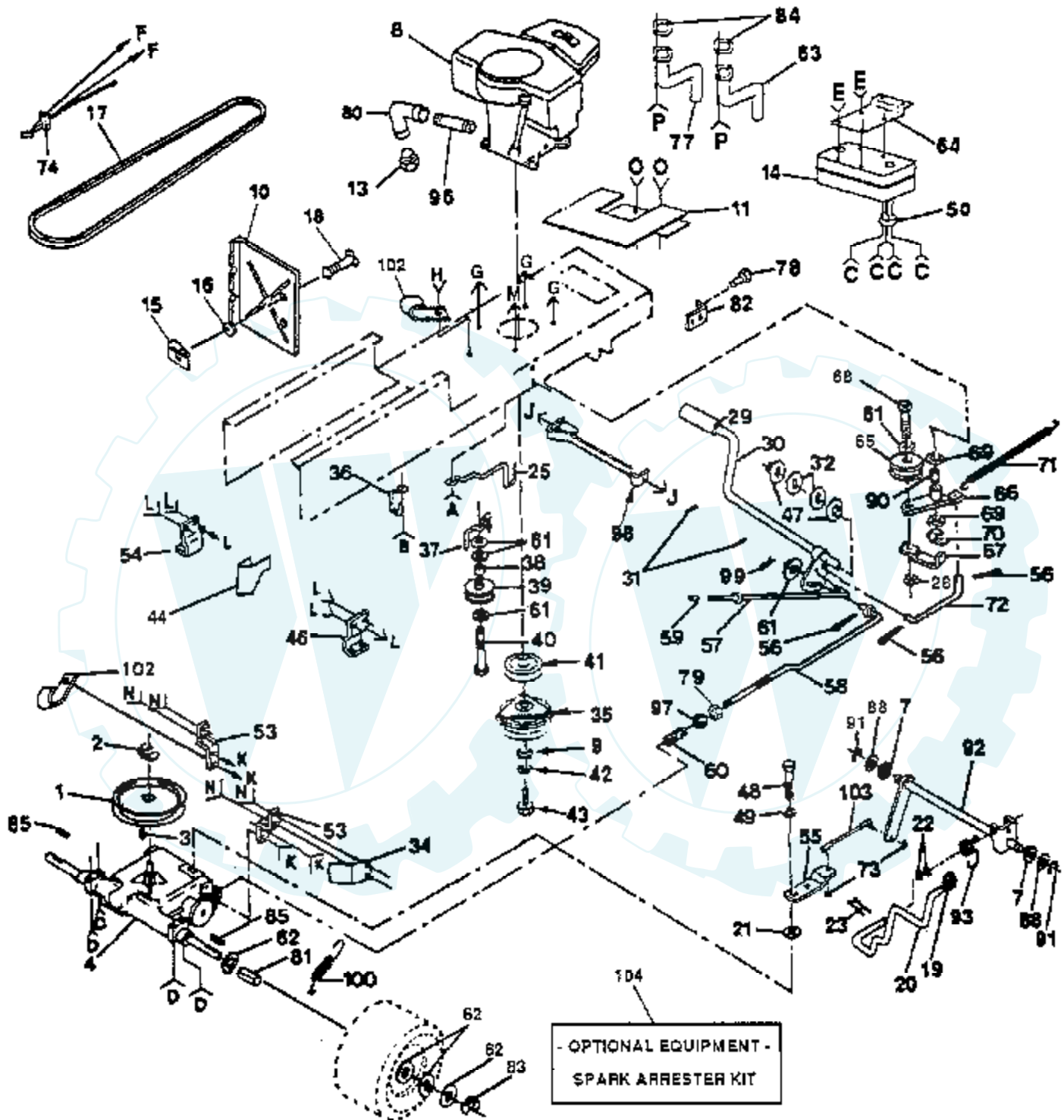


Ref #	Part Number	Qty	Description
1	108456X		SUB= 138955
2	135344		HOOD DECAL LH
3	135343		NLA
4	106202X		REFLECTOR-TAIL YT
5	121549X		DECAL
6	133796		DECAL
7	4900J		DECAL T
8	135339		NLA
9	121343X		DECAL WARING
10	3713J		DECAL INSTRUCTION CAUTION
11	135619		NLA
12	135341		GRILL DECAL
13	135062		NAMEPLATE LOGO
	136556		MANUAL



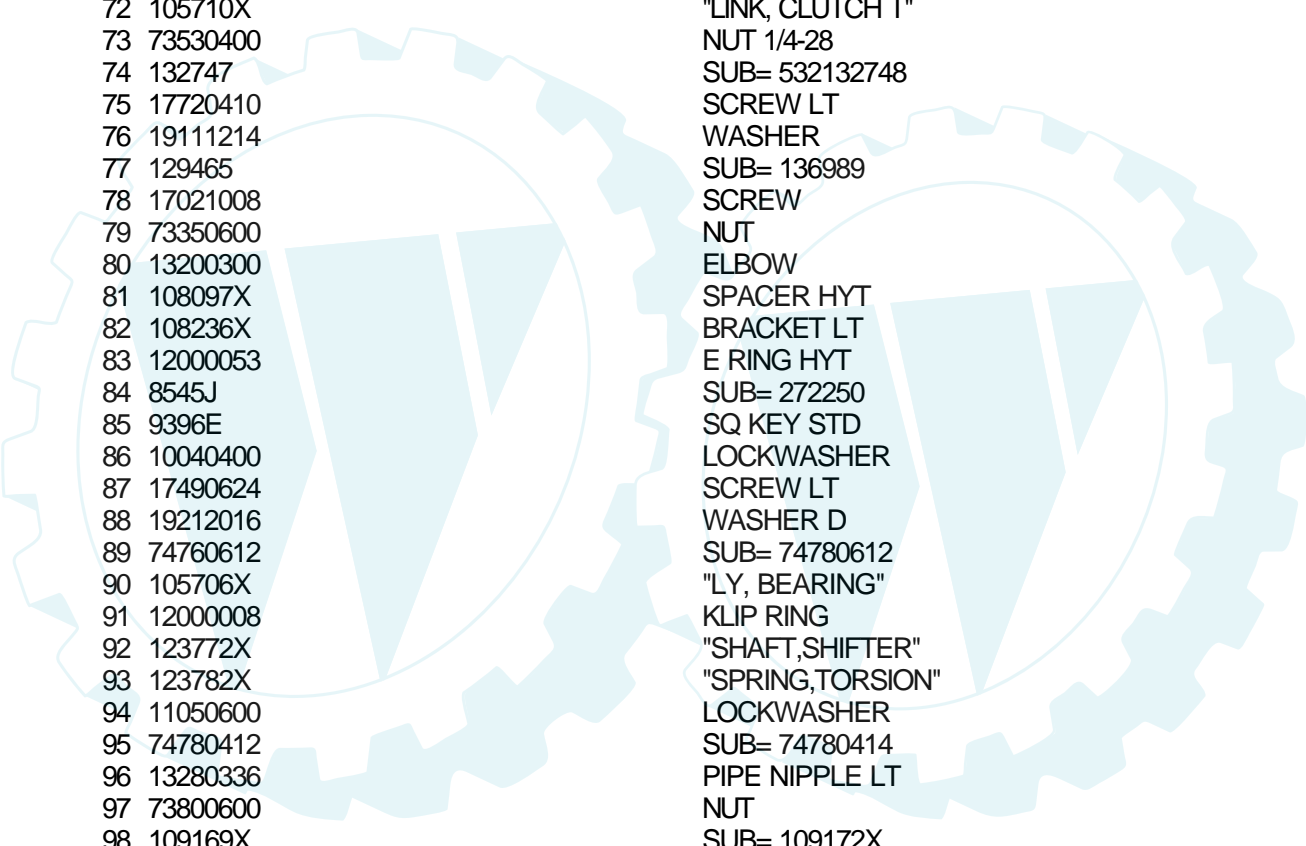
18 HP 44" TRACTOR -- MODEL NUMBER 4180-24B

DRIVE



- | A | B | C | D | E | F | G | H | J | K | L | M | N | O | P |
|---|---|---|---|---|---|---|---|---|---|---|---|---|---|---|
| | | | | | | | | | | | | | | |
| | | | | | | | | | | | | | | |
| | | | | | | | | | | | | | | |

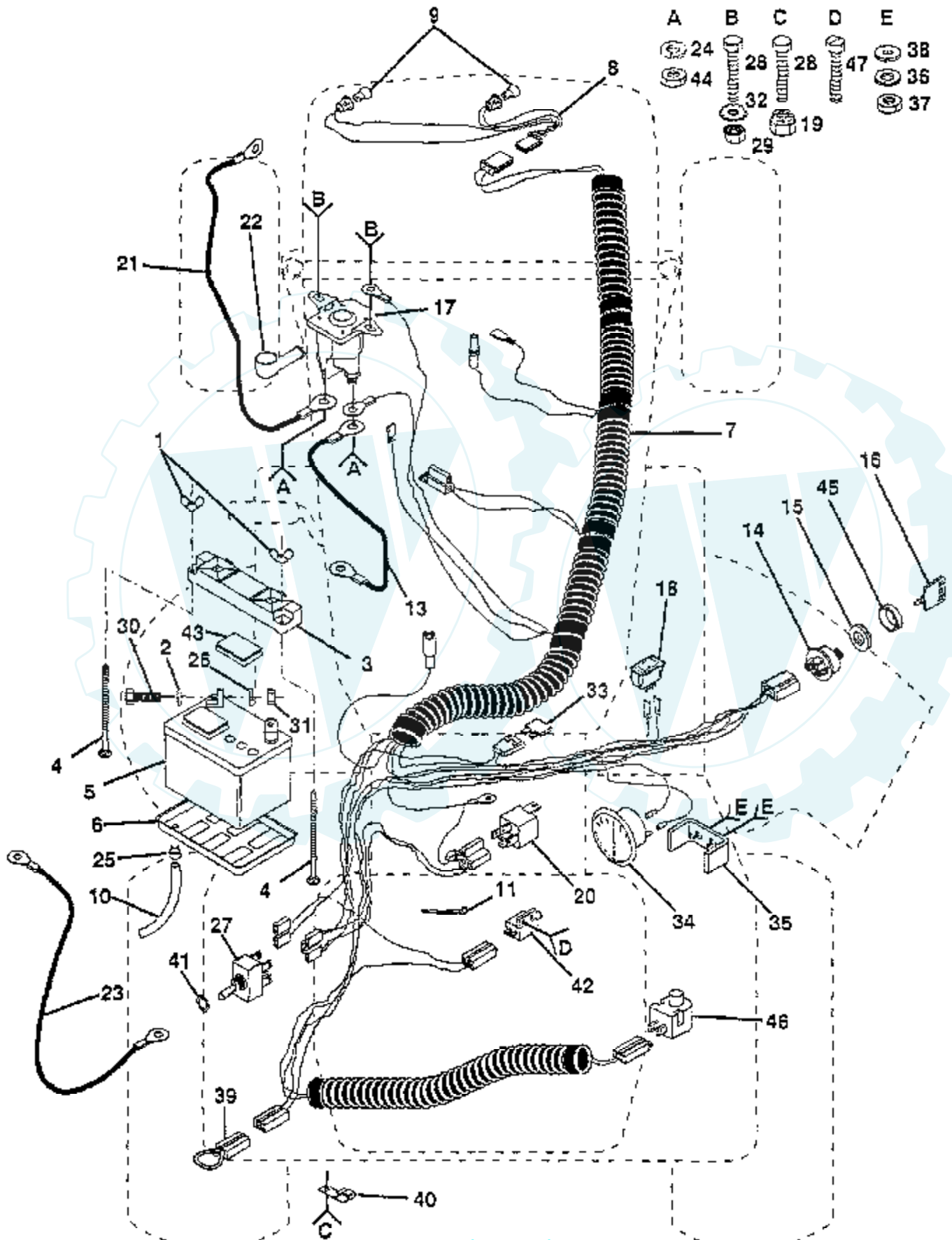
Ref #	Part Number	Qty	Description
1	121327X		PULLEY TRANSAXLE
2	12000004		RING
3	2228M		SUB= 2228M1
4	123797X		TRANSAXLE PEERLESS MODEL NO
5	72140506		BOLT
6	17490512		SCREW
7	71208		BUSHING
8	422777		ENGINE, B&S
9	126197X		WASHER
10	133746		HEAT SHIELD
11	128199		SUB= 145552
12	19131614		WASHER
13			CHECK WITH SUPPLIER
14	129464		MUFFLER
15	105839X		RECEPTACLE LT
16	105838X		RETAINER LT
17	123796X		BELT.GRDRV.94.75
18	123650X		STUD.1/4.TURN
19	106933X		KNOB T (1/2-HOLE)
20	123781X		SUB= 141002
21	105701X		WASH-SHFT PLT LT
22	19171216		WASHER
23	76020416		PIN COTTER 1/8
24	17490612		SCREW
25	129921		KEEPER.BELT.ENG.L
26	74760616		BOLT
27	19131312		WASHER
28	73680600		SUB= 73690600
29	8883R		PEDAL COVER T
30	122424X		SUB= 149001
31	1572H		SUB= 2882J
32	19211616		WASHER LT
33	17190408		SCREW ST
34	123792X		"KEEPER,BELT RH"
35	126112X		SUB= 142600
36	123788X		RETAINER BELT
37	109070X		BELT KEEPER LT
38	4470J		SPACER T
39	123674X		PULLEY.IDLER.FLAT
40	74760644		BOLT
41	123795X		SUB= 136906
42	10040700		LOCKWASHER
43	71170768		SUB= 150280
44	123791X		KEEPER BELT LH
45	17030808		SUB= 17030814
46	123776X		BRKT TRANS RH
47	120183X		NYLON BEARING
48	71040412		SUB= 74550412
49	19091216		WASHER PM
50	101326L		DEFLECTOR.222573
51	73680500		SUB= 73690500
52	74780544		BOLT HEX
53	123787X		STRAP TORQUE
54	123780X		BRKT TRANS LH
55	123794X		"ARM,SHIFT"
56	76020412		COTTER PIN
57	133261		BRAKE PARK ROD
58	123786X		ROD BRAKE



Ref #	Part Number	Qty	Description
59	71673		PLUNGER CAP T
60	126909X		"SPRING,ROD BRAKE"
61	19131316		WASHER
62	123800X		WASHER
63	129466		SUB= 144068
64	122439X		BRACKET MUFFLER
65	127783		SUB= 139245
66	123789X		ARM IDLER
67	123205X		RETAIN BELT
68	74760624		SUB= 74930624
69	110812X		WASHER LT
70	12000039		KLIP RING
71	105709X		"SPRING, RETURN LT"
72	105710X		"LINK, CLUTCH T"
73	73530400		NUT 1/4-28
74	132747		SUB= 532132748
75	17720410		SCREW LT
76	19111214		WASHER
77	129465		SUB= 136989
78	17021008		SCREW
79	73350600		NUT
80	13200300		ELBOW
81	108097X		SPACER HYT
82	108236X		BRACKET LT
83	12000053		E RING HYT
84	8545J		SUB= 272250
85	9396E		SQ KEY STD
86	10040400		LOCKWASHER
87	17490624		SCREW LT
88	19212016		WASHER D
89	74760612		SUB= 74780612
90	105706X		"LY, BEARING"
91	12000008		KLIP RING
92	123772X		"SHAFT,SHIFTER"
93	123782X		"SPRING,TORSION"
94	11050600		LOCKWASHER
95	74780412		SUB= 74780414
96	13280336		PIPE NIPPLE LT
97	73800600		NUT
98	109169X		SUB= 109172X
99	4497H		RETAINER M
100	110422X		SUB= 146682
101	17490512		SCREW
102	2751R		CLIP T
103	123793X		"ROD,TIE "
104	121851X		SUB= 532137180

18 HP 44" TRACTOR -- MODEL NUMBER 4180-24B

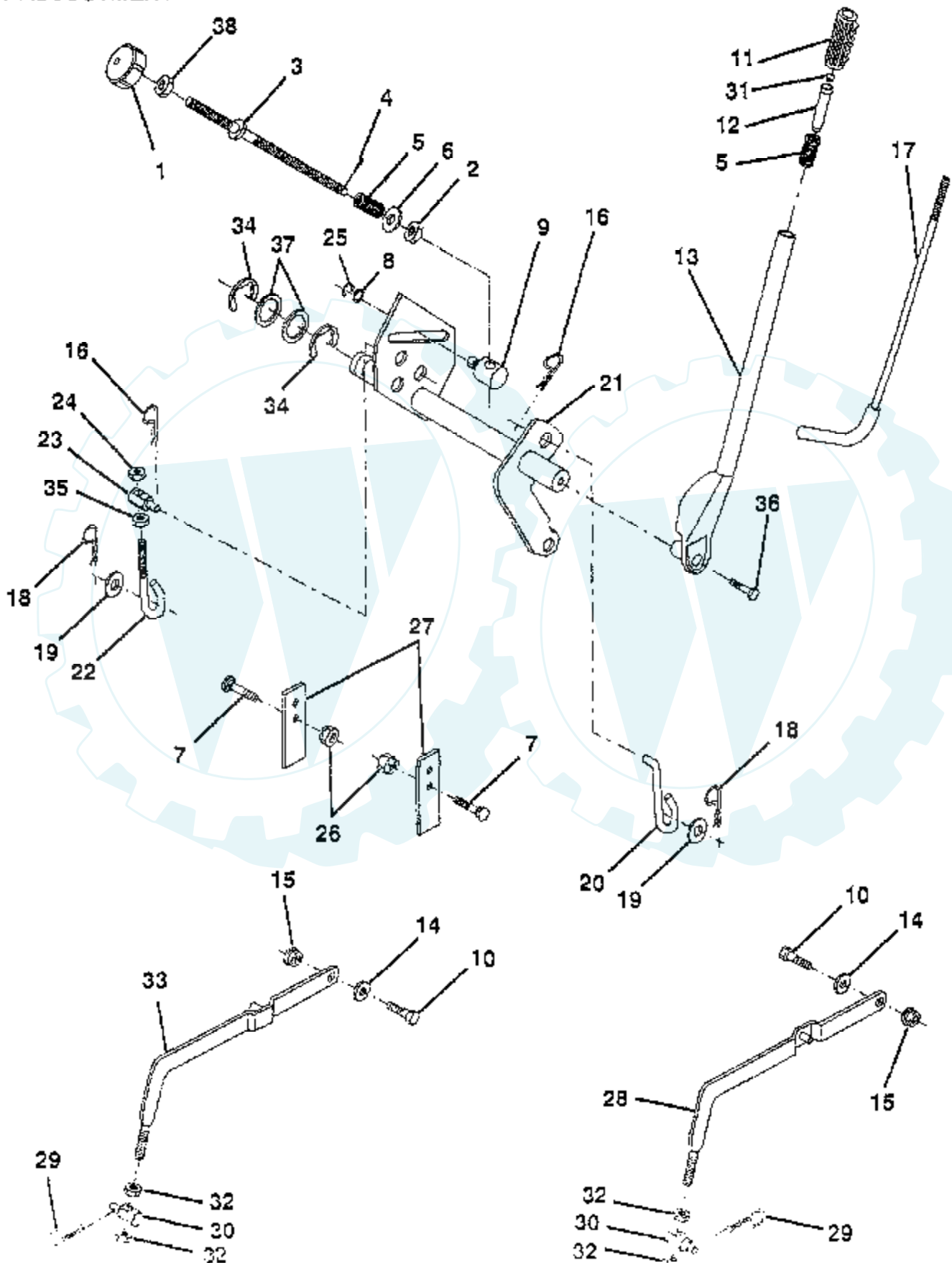
ELECTRICAL



Ref #	Part Number	Qty	Description
1	123198X		SUB= 146525
2	19091016		WASHER
3	102476X		SUB= 150109
4	72240460		BOLT
5	121537X		SUB= 123899X
6	7603J		"TRAY T, BATTERY"
7	135319		IGNITION HARNESS
8	127441X		SUB= 136850
9	7662J		SUB= 4152J
10	100541K		SUB= 7697J
11	7192J		WIRE TIE
13	4206J		CABLE-BATTERY T
14	102972X		SUB= 918102972X
15	124211X		NUT IGNITION
16	122147X		KEY
17	109081X		SUB= 146154
18	110712X		SWITCH LT
19	73680400		SUB= 73690400
20	109748X		RELAY ASSY T
21	4799J		"CABLE T, BATTERY"
22	131563		SUB= 154336
23	4207J		CABLE T
24	10090400		SUB= 10040400
25	109596X		HOSE CLAMP T
26	10040400		LOCKWASHER
27	126016X		SUB= 4021J
28	74780408		BOLT
29	73510400		NUT
30	74760412		BOLT LT
31	73220400		SUB= 50675
32	11050400		LOCKWASHER
33	108824X		FUSE HYT
34	9433R		AMMETER T
35	131708		SUB= 532131708
36	10101000		SUB= 10071000
37	73911000		NUT
38	19070818		WASHER
39	102501X		SUB= 141940
40	235R		CLIPT
41	4022J		HEX NUT T
42	104445X		SWITCH-INTER. GT
43	121264X		"CAP,BATTERY "
44	73350400		NUT
45	123620X		SUB= 141226
46	121305X		SWITCH SEAT
47	17021008		SCREW

18 HP 44" TRACTOR -- MODEL NUMBER 4180-24B

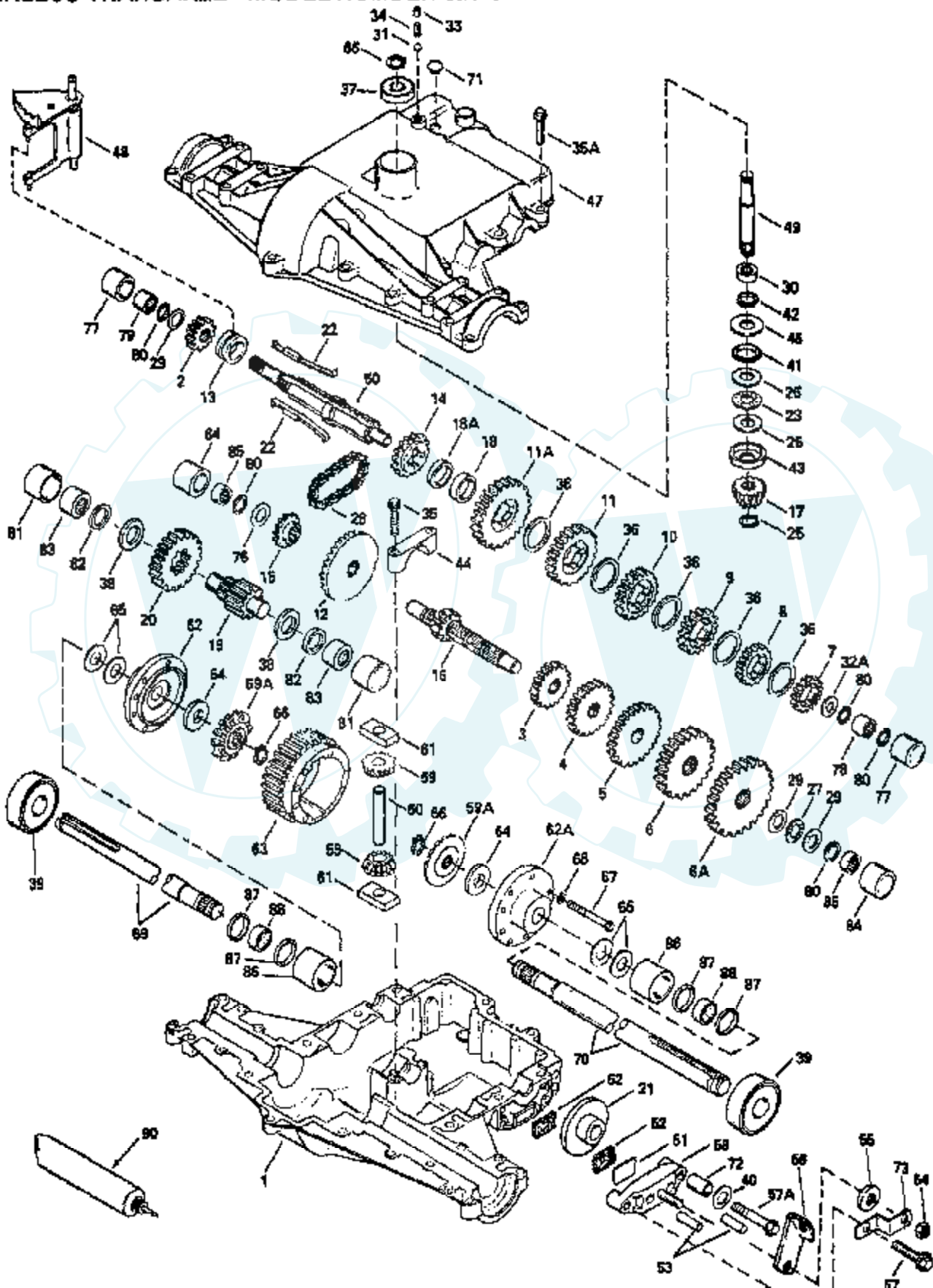
LIFT ADJUSTMENT



Ref #	Part Number	Qty	Description
1	121891X		HDLE ADJ LIFT
2	110807X		NUT T
3	110729X		ROD LIFT LT
4	76020308		SUB= 3145
5	2876H		SPRING T
6	19131016		WASHER
7	72140608		SUB= 72110608
8	19151216		WASHER
9	110810X		TRUNION LT
10	105848X		"BOLT, SHOULDER LT"
11	109413X		GRIP
12	122364X		SUB= 125925X
13	121002X		SUB= 123096X
14	110739X		WASHER T
15	73980600		NUT SPECIAL T
16	4939M		SUB= 85902
17	121006X		LEVER ROD LT
18	4921H		SPRING.RETAINER
19	19171516		WASHER T
20	110029X		LIFT LINK LT
21	131925		LIFT SHAFT ASM
22	110448X		PIVOT PIN T
23	110447X		SUB= 132793
24	73710700		NUT LOCK YTH
25	12000037		KLIP RING
26	73680600		SUB= 73690600
27	121252X		UPSTOP
28	121598X		RH SUSP ARM ASM
29	9135R		SPRING H
30	106308X		SUB= 130171
31	124526X		SUB= 125925X
32	73220800		NUT
33	121599X		LH SUSP ARM ASM
34	12000022		E-RING
35	73360700		NUT
36	74780624		"BOLT,HEX"
37	19292016		WASHER
38	73350600		NUT

18 HP 44" TRACTOR -- MODEL NUMBER 4180-24B

PEERLESS TRANSAXLE - MODEL NUMBER 820-016A

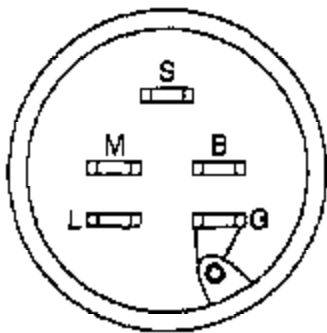
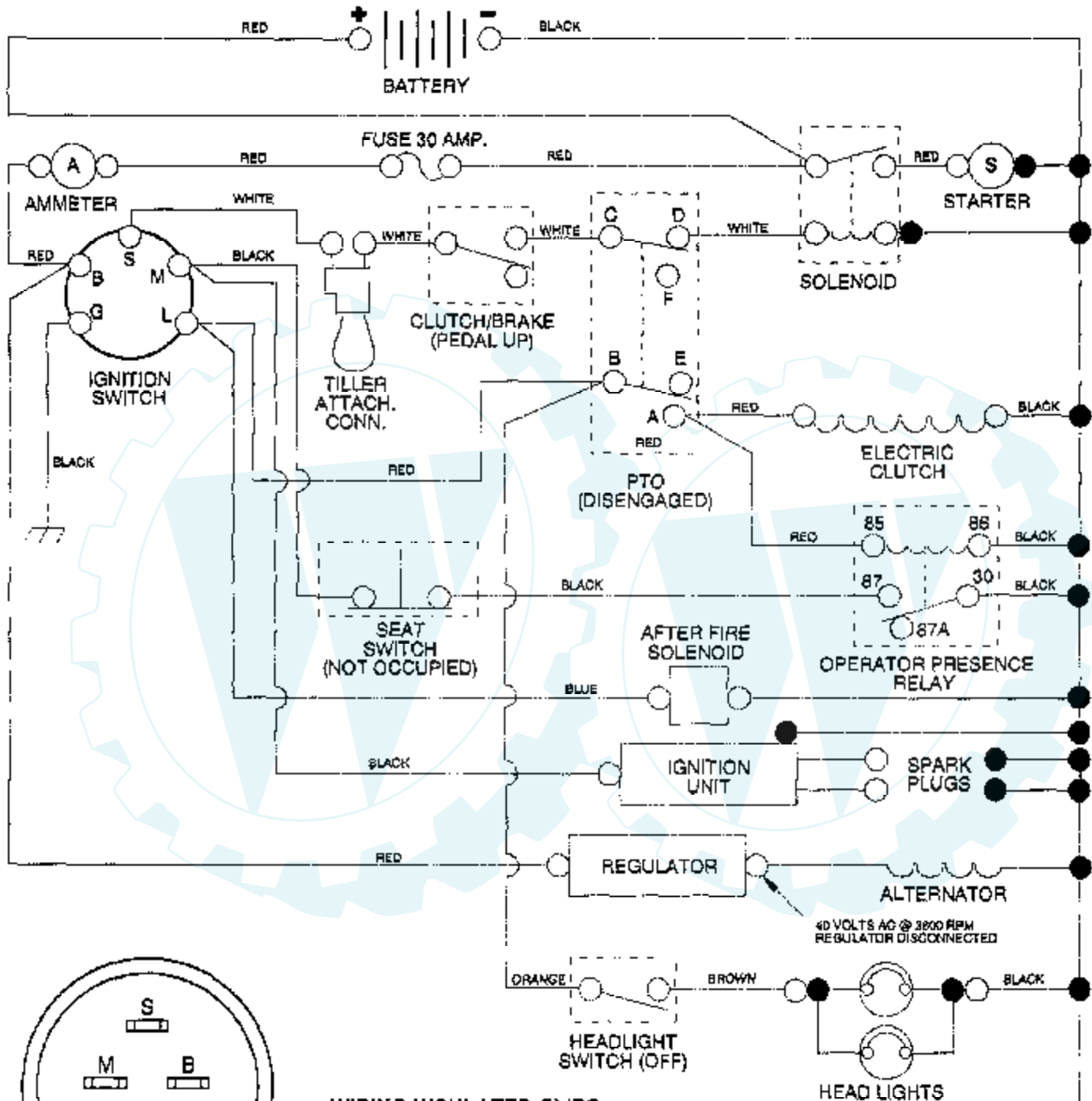


Ref #	Part Number	Qty	Description
1	770088		CASE TRANSAXLE
2	778253		GEAR, SPUR, 15T
3	778211		GEAR, SPUR, 12 TEETH
4	778240		GEAR, SPUR, 18 TEETH
5	778201		GEAR, SPUR, 25T
6	778202		GEAR, SPUR, 28T
6A	778208		GEAR, SPUR, 31T
7	778273		GEAR, SPUR, 19T
8	778203A		GEAR, SPUR, 22T
9	778204A		GEAR, SPUR, 25T
10	778239A		GEAR, SPUR, 32 TEETH
11	778207A		GEAR, SPUR, 37 TEETH
11A	778216A		GEAR, SPUR, 41T
12	778246		GEAR BEVEL, 33T
13	784216		COLLAR SHIFT
14	786123		SPROCKET 18T (REV)
15	786082		SPROCKET 9T
16	776291		SHAFT COUNTER
17	778245		BEVEL PINION, 13T
18	786121		SPACER, .350/.340 THICK
18A	786122		SPACER, .276/.268 THICK
19	776275		SHAFT, OUTPUT, 9T
20	778247		GEAR, OUTPUT, 35T
21	790043		DISK BRAKE
22	792138		KEY
23	780084		BEARING THRUST
25	788040		RETAINING RING
26	780051		WASHER THRUST
27	780071		THRUST BEARING
28	786081		CHAIN, ROLLER
29	780072		WASHER THRUST
30	780155		BEARING NEEDLE
31	792077		BALL STEEL, 5/16" DIA.
32A	780139		WASHER
33	792078		SCREW, 3/8-16 X 3/8"
34	792079		SPRING
35	792073		SCREW, 1/4-20 X 1-1/4
35A	792129		SCREW HEX HD 5/16-18 X 1-1/4
36	780108		WASHER THRUST
37	780119		BEARING BALL
38	780128		WASHER THRUST
39	780050		BEARING BALL
40	792128		WASHER FLAT
41	788077		"O" RING
42	788042		OIL SEAL 3/4
43	780166		WASHER CUPPED
44	786131		BEARING CAP
45	780165		WASHER
47	772098A		COVER TRANSAXLE
48	784342		ROD AND FORK ASSY SHIFT
49	776274		SHAFT INPUT
50	776313		SHAFT BRAKE
51	790007		PLATE BRAKE PAD
52	790006		PAD BRAKE
53	786026		PIN DOWEL
54	792075		LOCKNUT 5/16-24
55	792076		WASHER FLAT
56	790047		LEVER BRAKE

Ref #	Part Number	Qty	Description
57	792073		SCREW, 1/4-20 X 1-1/4
57A	792085		SCREW FLNG HEX 1/4-20 X 2-1/4
58	790025		HOLDER BRAKE PAD
59	778197		PINION, 10T
59A	778198		GEAR BEVEL
60	786019		PIN DRIVE
61	786027		BLOCK DRIVE
62	774833		CARRIER DIFF THREADED HOLES
62A	774834		CARRIER DIFF
63	778248		GEAR, RING, 31T
64	780107		WASHER
65	780042		WASHER THRUST
66	792018		RING STRAP
67	792020		SCREW, 1/4-20 X 2-1/4
68	792006		WASHER LOCK 1/4
69	774832		AXLE, 12-5/16" LONG
70	774831		AXLE, 16-3/16" LONG
71	792074		PLUG, THRDED, 9/16-18
72	786067		SPACER
73	786086		BRKT BRAKE LEVER
76	780153		WASHER
77	786144		SLEEVE
78	780150		BEARING NEEDLE
79	780152		BEARING NEEDLE
80	792001		"O" RING
81	786142		SLEEVE STEPPED
82	788071		RING SQ CUT
83	780168		BEARING NEEDLE CAPPED
84	786143		SLEEVE STEPPED
85	780151		BEARING NEEDLE CAPPED
86	786145		SLEEVE STEPPED
87	788070		RING SQ CUT
88	780031		BEARING NEEDLE
90	788067B		GREASE BENTONITE, 32 OZ.

18 HP 44" TRACTOR - - MODEL NUMBER 4180-24B

SCHEMATIC

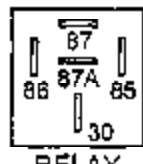


IGNITION SWITCH

POSITION	CIRCUIT
OFF	M + G
ON	B + L
START	B + S + L

WIRING INSULATED CLIPS

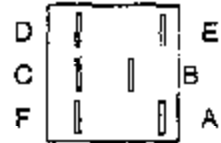
NOTE: IF WIRING INSULATED CLIPS WERE REMOVED FOR SERVICING OF UNIT, THEY SHOULD BE REPLACED TO PROPERLY SECURE YOUR WIRING



RELAY

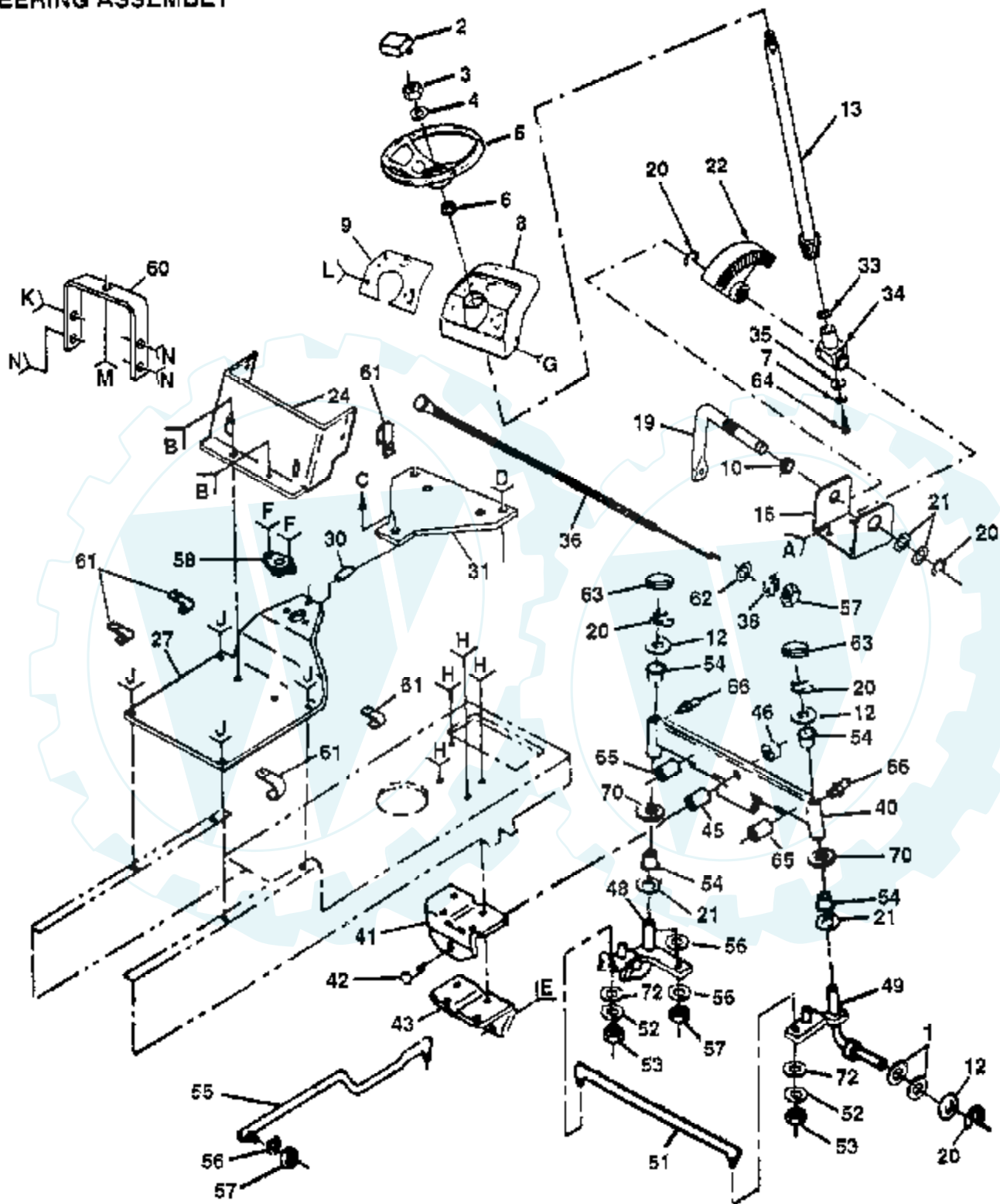
- NON-REMOVABLE CONNECTIONS
- REMOVABLE CONNECTIONS

PTO SWITCH	
POSITION	CIRCUIT
OFF	B + E, C + D
ON	B + A, C + F



18 HP 44" TRACTOR -- MODEL NUMBER 4180-24B

STEERING ASSEMBLY



- | A | B | C | D | E | F | G | H | J | K | L | M | N |
|---|---|---|---|---|---|---|---|---|---|---|---|---|
| | | | | | | | | | | | | |
| | | | | | | | | | | | | |
| | | | | | | | | | | | | |
| | | | | | | | | | | | | |

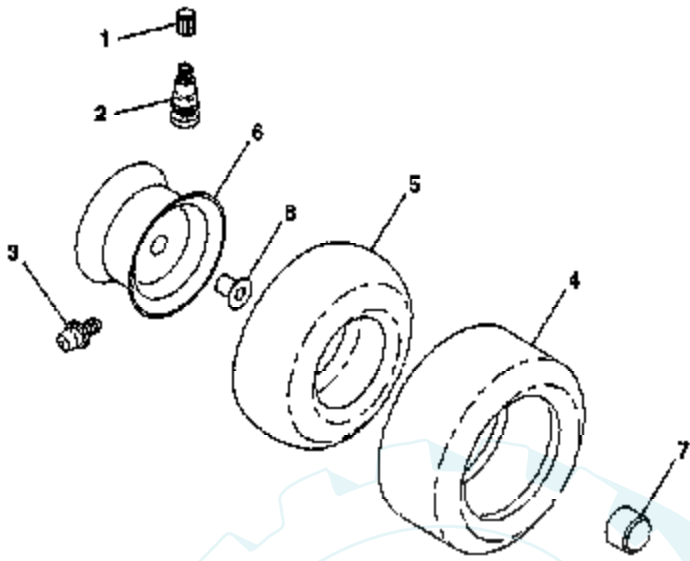


Ref #	Part Number	Qty	Description
1	121749X		WASHER
2	126805X		"INSERT,STR WHEEL"
3	73940800		SUB= 73360800
4	100712K		WASHER
5	121472X		SUB= 150546
6	100711L		ADAPTER LT
7	10040400		LOCKWASHER
8	124252X		SUB= 140398
9	121444X015		DASHPLATE
10	109816X		NYLINER T
11	17490608		SCREW LT
12	121748X		WASHER
13	128762		SUB= 156544
14	74760616		BOLT
15	19131312		WASHER
16	124036X		"BRKT,STEERING"
17	73680600		SUB= 73690600
18	17490612		SCREW
19	127501		SUB= 918127501
20	12000029		RING
21	6266H		WASHER .T
22	124034X		SUB= 136874
23	73220400		SUB= 50675
24	104805X		LOWER DASH
25	74180512		SCREW
26	73680500		SUB= 73690500
27	123783X013		SADDLE
28	73680600		SUB= 73690600
29	74760532		BOLT
30	121236X		SPACER
31	106965X		SUB= 140181
32	74760612		SUB= 74780612
33	57079		THRUST WASHER
34	124035X		SUPPORT.SHAFT
35	126684X		SUB= 532126684
36	132781		CHOKE CONTROL
37	11050400		LOCKWASHER
38	11050600		LOCKWASHER
39	74760616		BOLT
40	108075X		FRONT AXLE
41	105663X		SUPPORT-SADDL T
42	74761060		BOLT LT
43	105664X		SUPPORT.SADDLE.FT
44	11050600		LOCKWASHER
45	110438X		BEARING
46	73601000		SUB= 73901000
47	17490508		SCREW LT
48	135227		SPINDLE LH
49	135228		SPINDLE RH
50	74760612		SUB= 74780612
51	130467		TIE ROD
52	10040500		LOCKWASHER
53	73810500		NUT.LOCK.5/16-24
54	3366R		COL. SRTG. BEAR.
55	130468		SUB= 532130468
56	10040600		LOCKWASHER
57	73610600		SUB= 7810H
58	1554J		SUB= 155108

Ref #	Part Number	Qty	Description
59	17431008		SUB= 98000165
60	124130X		SUPPORT ASSY
61	2751R		CLIP T
62	19131316		WASHER
63	121232X		CAP
64	71070410		"SCREW,SPECIAL"
65	132624		AXLE PIN
66	6855M		ZERK M
67	74180512		SCREW
68	19111116		WASHER
69	73510500		NUT
70	19272016		WASHER
71	122819X		SCREW SPECIAL
72	19111216		WASHER M



WHEELS AND TIRES



NOTE: All component dimensions given in U.S. inches
1 inch = 25.4 mm

Ref #	Part Number	Qty	Description
1	59192		VALVE CAP
2	65139		VALVE STEM LT
3	278H		FITTING LT
4	106222X		SUB= 122073X
4	124106X		SUB= 138756
5	59904		TUBE.5.3/4.5/6
5	7154J		TUBE.23X8/10-12
6	106732X361		SUB= 106732X417
6	124074X361		SUB= 124074X417
7	104757X		HUB CAP
8	9040H		"FLANGE, BEARING"

