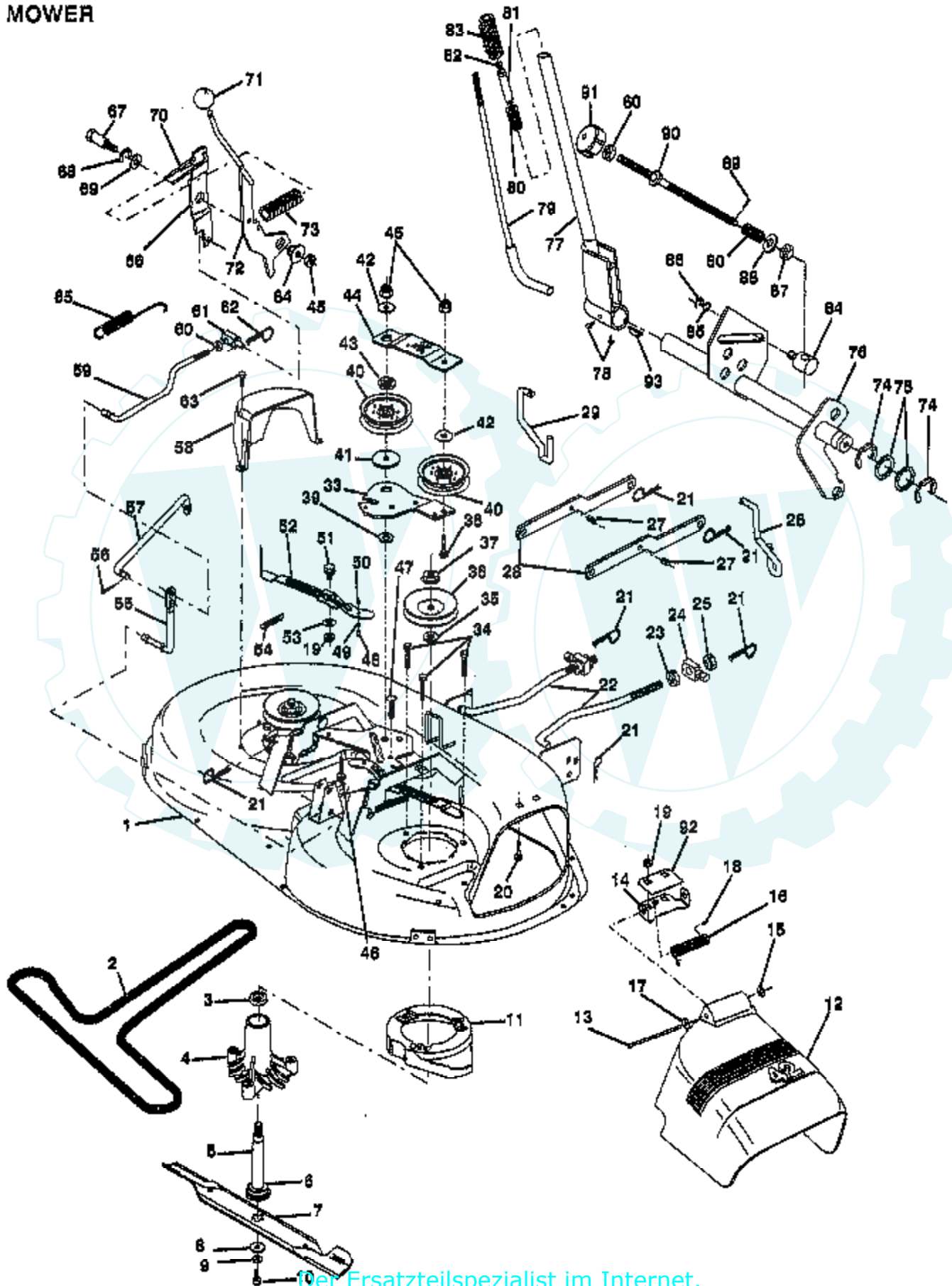


16 HP 42" RIDING LAWN TRACTOR - - MODEL NUMBER 3420-24 42" MOWER

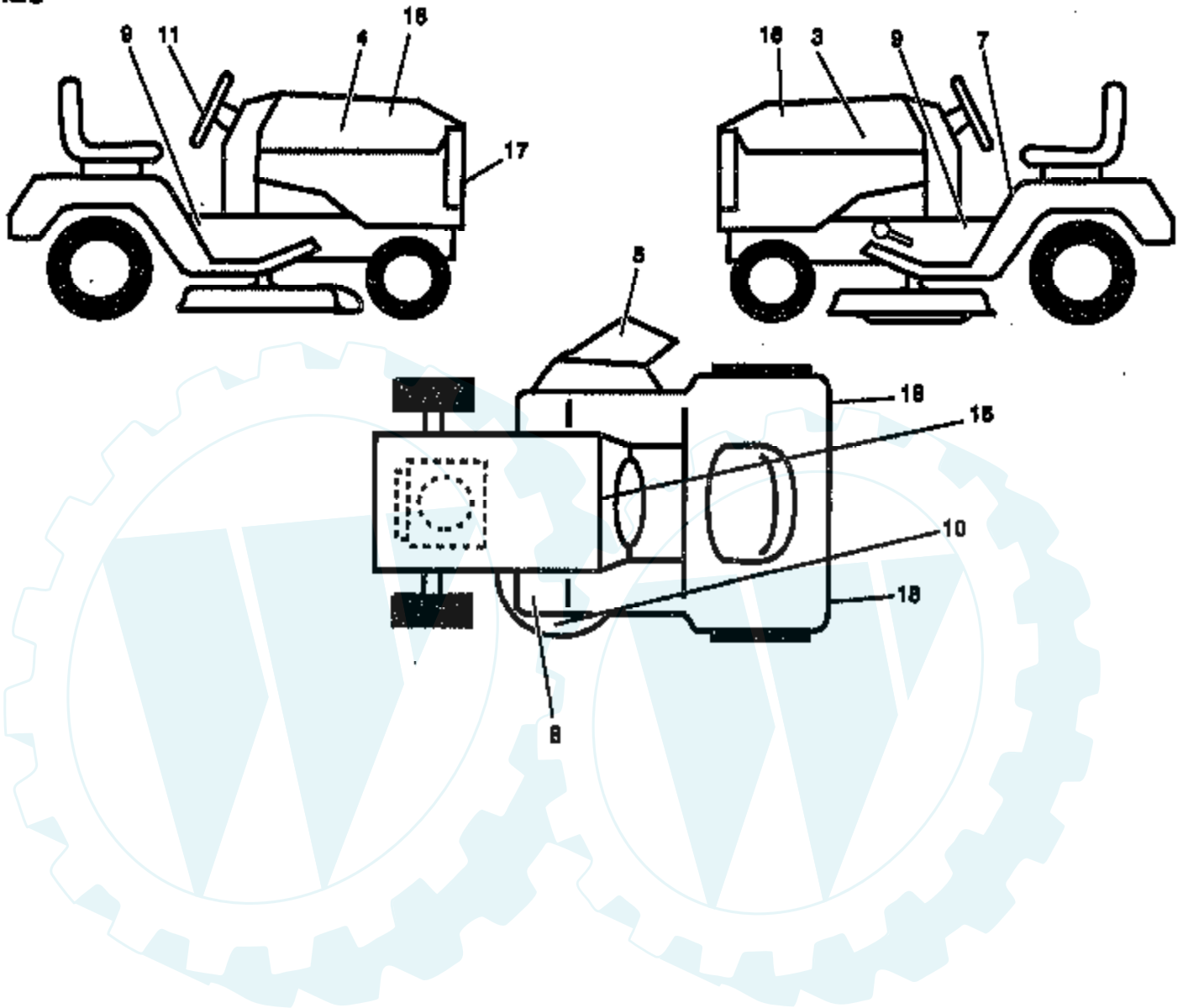


| Ref # | Part Number | Qty | Description |
|-------|-------------|-----|-------------------|
| 1 | 130970 | | SUB= 145338 |
| 2 | 130969 | | BELT-V.92.4.MWR |
| 3 | 110485X | | BEARING |
| 4 | 128774 | | HSG ASM MANDREL |
| 5 | 133172 | | SUB= 137646 |
| 6 | 129895 | | BEARING.BALL |
| 7 | 127843 | | SUB= 138498 |
| 8 | 129962 | | WASHER BLADE |
| 9 | 10030600 | | SUB= 10040600 |
| 10 | 850857 | | BLADE BOLT |
| 11 | 128961 | | SUB= 140329 |
| 12 | 130968 | | DEFLECTOR.SHIELD |
| 13 | 131491 | | HINGE ROD |
| 14 | 131267 | | DEFLECTOR BRKT |
| 15 | 110452X | | NUT PUSH M |
| 16 | 123713X | | SPRING TORSION |
| 17 | 19111016 | | WASHER |
| 18 | 105304X | | CAP-SLEEVE LT |
| 19 | 73680500 | | SUB= 73690500 |
| 20 | 72140506 | | BOLT |
| 21 | 4939M | | SUB= 85902 |
| 22 | 127218 | | LINK.FRONT |
| 23 | 73350800 | | NUT |
| 24 | 130171 | | TRUNION |
| 25 | 73800800 | | NUT.LK.W/WSH.1/2. |
| 26 | 135388 | | LIFT LINK RH |
| 27 | 135563 | | "PIN,SPRING" |
| 28 | 130833 | | SUSP ARM ASM REAR |
| 29 | 134619 | | LINK LIFT LH |
| 33 | 133844 | | IDLER ARM |
| 34 | 78158 | | SUB= 17580520 |
| 35 | 129963 | | WASHER |
| 36 | 129861 | | SUB= 153535 |
| 37 | 73050900 | | SUB= 139729 |
| 38 | 72110614 | | BOLT |
| 39 | 133943 | | HARDENED WASHER |
| 40 | 131494 | | FLAT IDLER PULLEY |
| 41 | 122052X | | SPACER RETAINER |
| 42 | 19131612 | | WASHER GT |
| 43 | 133502 | | RETAINER SPACER |
| 44 | 133503 | | IDLER ARM STIFF |
| 45 | 73680600 | | SUB= 73690600 |
| 46 | 72110618 | | BOLT CARRIAGE |
| 47 | 133835 | | XMAS TREE FASTNER |
| 48 | 131340 | | SHOULDER BOLT |
| 49 | 133940 | | SUB= 151785 |
| 50 | 69180 | | LOCKNUT |
| 51 | 105529X | | SUB= 139888 |
| 52 | 131845 | | BRAKE PAD ARM ASM |
| 53 | 133944 | | HARD SMALL WASHER |
| 54 | 131335 | | SPRING EXTENSION |
| 55 | 133551 | | PIVOT ROD |
| 56 | 76020312 | | SUB= 3145 |
| 57 | 133504 | | CLUTCH ROD SECOND |
| 58 | 131857 | | SUB= 140088 |
| 59 | 133550 | | SUB= 142427 |
| 60 | 73350600 | | NUT |
| 61 | 133205 | | TRUNION |

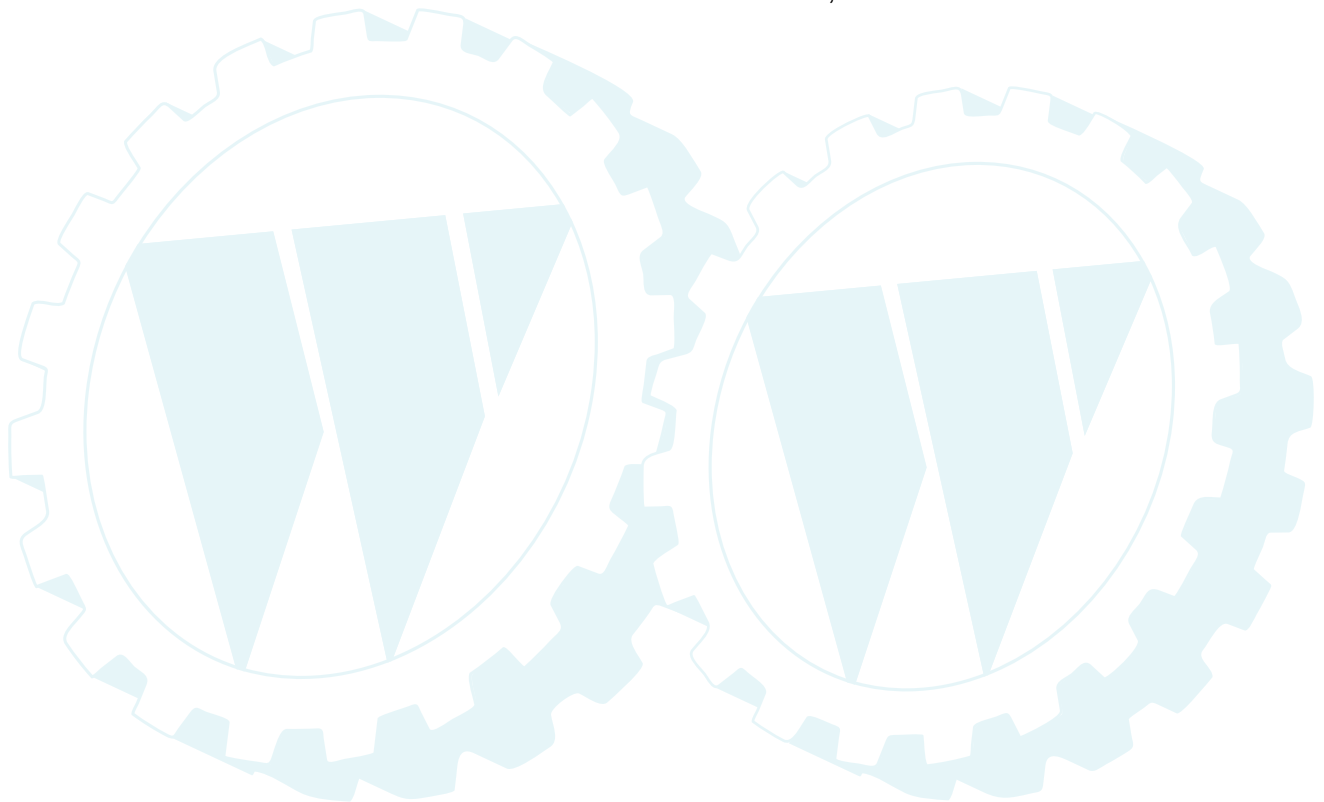
| Ref # | Part Number | Qty | Description |
|-------|-------------|-----|-------------------|
| 62 | | | |
| 63 | 17720410 | | SCREW LT |
| 64 | 127498 | | BUSHING |
| 65 | 131870 | | RETURN SPRING |
| 66 | 127847 | | CLUTCH ARM SECOND |
| 67 | 128903 | | SHOULDER BOLT |
| 68 | 12000029 | | RING |
| 69 | 121748X | | WASHER |
| 70 | 127845 | | SPRING KEEPER |
| 71 | 132044 | | SUB= 532132044 |
| 72 | 131813 | | SUB= 532131813 |
| 73 | 128759 | | SUB= 918128759 |
| 74 | 12000022 | | E-RING |
| 75 | 19292016 | | WASHER |
| 76 | 131874 | | SUB= 532131874 |
| 77 | 121718X | | LEVER LIFT |
| 78 | 23180606 | | SCREW |
| 79 | 121719X | | ROD ASS'Y LEVER |
| 80 | 2876H | | SPRING T |
| 81 | 122364X | | SUB= 125925X |
| 82 | 124526X | | SUB= 125925X |
| 83 | 109413X | | GRIP |
| 84 | 110810X | | TRUNION LT |
| 85 | 19151216 | | WASHER |
| 86 | 12000037 | | KLIP RING |
| 87 | 110807X | | NUT T |
| 88 | 19131016 | | WASHER |
| 89 | 76020308 | | SUB= 3145 |
| 90 | 110729X | | ROD LIFT LT |
| 91 | 121891X | | HDLE ADJ LIFT |
| 92 | 134753 | | STIFFENER BRKT |
| 93 | 8330H | | KEY STD |
| | 132707 | | SUB= 145411 |

16 HP 42" RIDING LAWN TRACTOR - - MODEL NUMBER 3420-24

DECALS

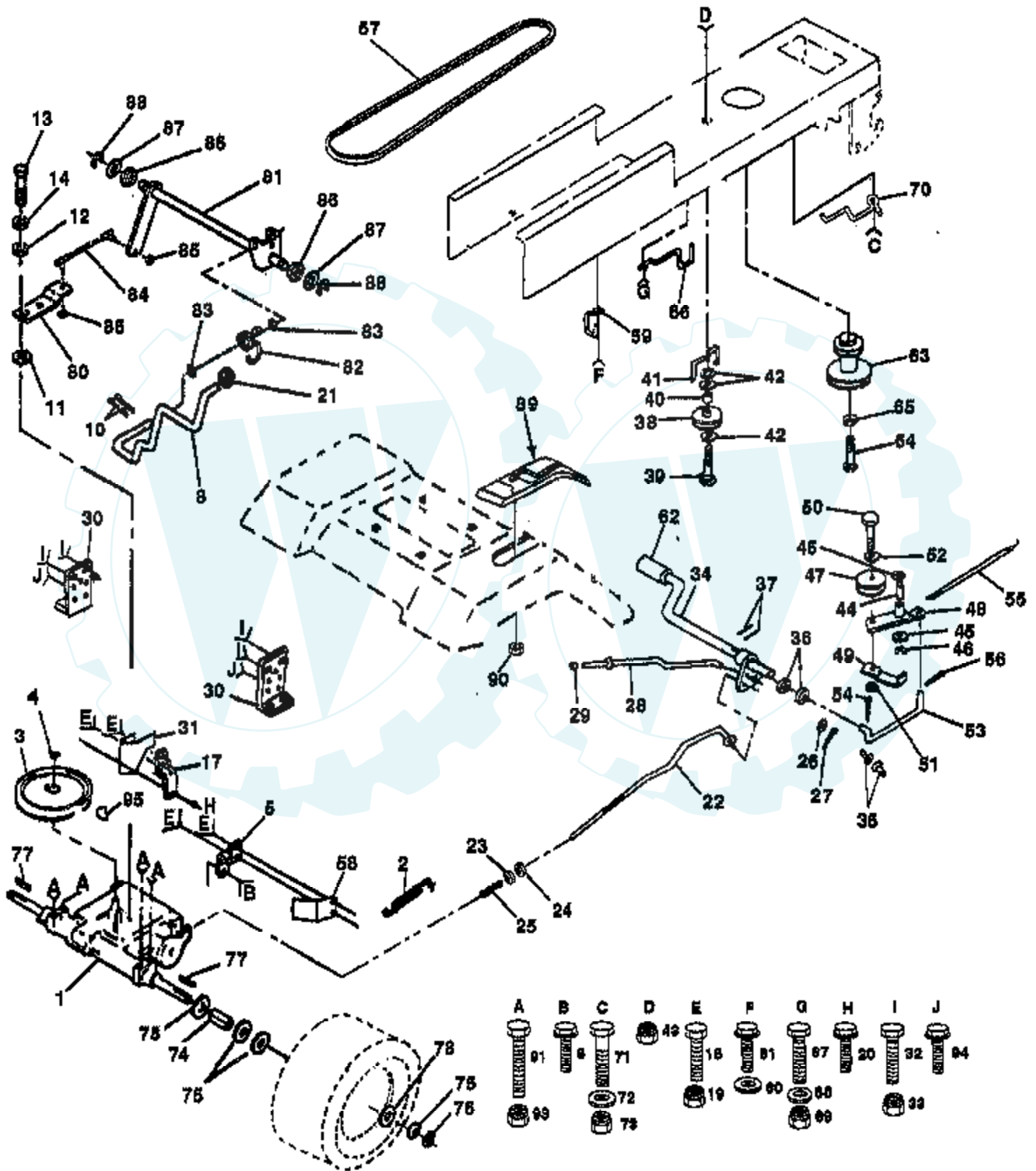


| Ref # | Part Number | Qty | Description |
|-------|-------------|-----|-----------------------------|
| 3 | 135344 | | HOOD DECAL LH |
| 4 | 135343 | | NLA |
| 5 | 121349X | | DECAL WARNING |
| 7 | 133795 | | DECAL CAUTION |
| 8 | 101892X | | DECAL T |
| 9 | 135685 | | DECAL CHASSIS |
| 10 | 109820X | | DECAL YT |
| 11 | 135342 | | DECAL STEERING WHEEL INSERT |
| 15 | 109821X | | SUB= 138956 |
| 16 | 135062 | | NAMEPLATE LOGO |
| 17 | 135341 | | GRILL DECAL |
| 18 | 106202X | | REFLECTOR-TAIL YT |
| | 132704 | | MANUAL, OPERATOR'S |
| | 135321 | | "MANUAL,PARTS" |



16 HP 42" RIDING LAWN TRACTOR - - MODEL NUMBER 3420-24

DRIVE

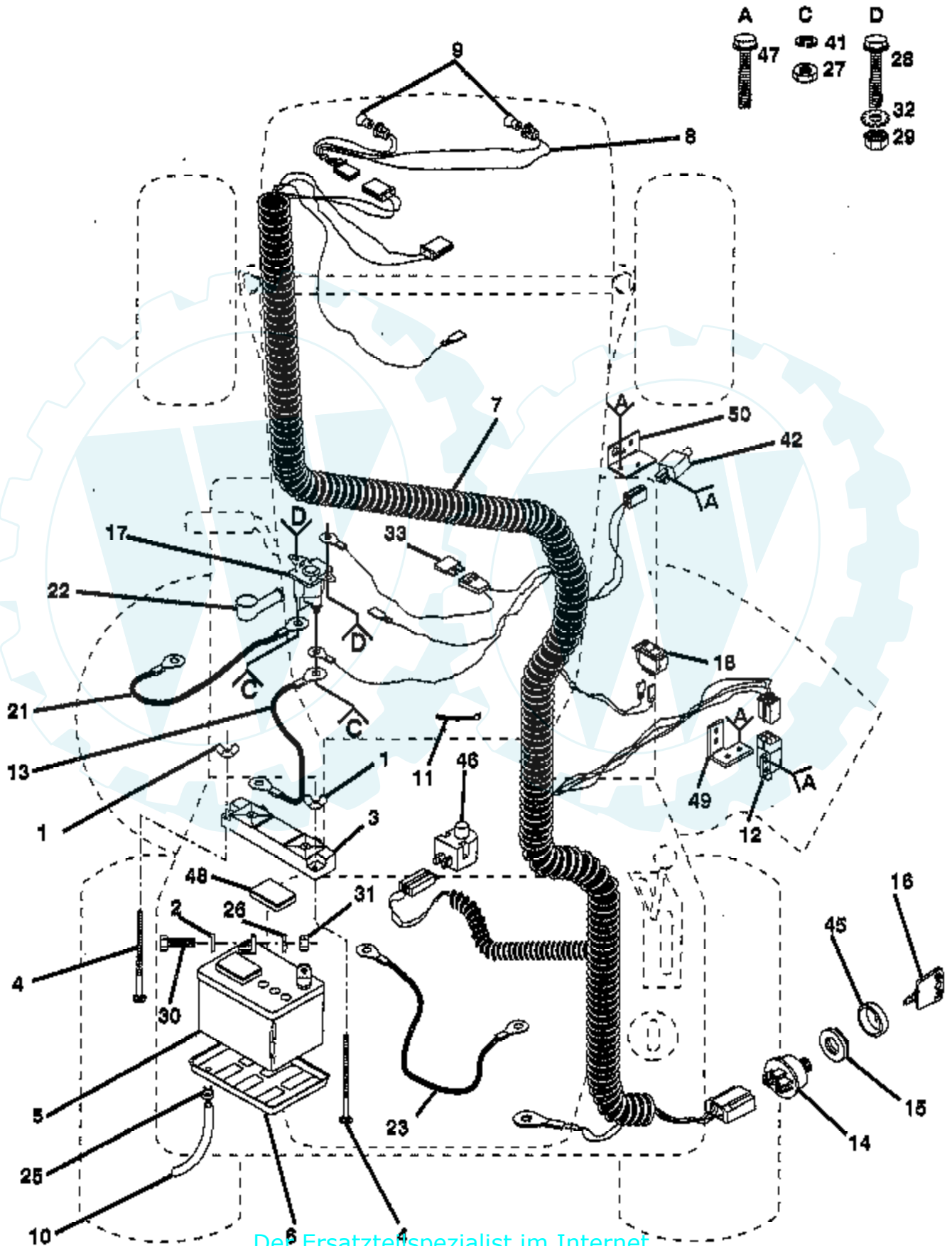


| Ref # | Part Number | Qty | Description |
|-------|-------------|-----|---------------------|
| 1 | 131965 | | SUB= 137367 |
| 2 | 110422X | | SUB= 146682 |
| 3 | 123667X | | "PULLEY,TRANSAXLE" |
| 4 | 12000028 | | SUB= 2267J |
| 5 | | | CHECK WITH SUPPLIER |
| 6 | 17490512 | | SCREW |
| 8 | 127270 | | SUB= 141003 |
| 10 | 76020416 | | PIN COTTER 1/8 |
| 11 | 105701X | | WASH-SHFT PLT LT |
| 12 | 19151216 | | WASHER |
| 13 | 71040412 | | SUB= 74550412 |
| 14 | 10040400 | | LOCKWASHER |
| 17 | 121520X | | STRAP TORQUE |
| 18 | 74760612 | | SUB= 74780612 |
| 19 | 73680600 | | SUB= 73690600 |
| 20 | 17490512 | | SCREW |
| 21 | 106933X | | KNOB T (1/2-HOLE) |
| 22 | 130804 | | BRAKE ROD |
| 23 | 73800600 | | NUT |
| 24 | 73350600 | | NUT |
| 25 | 106888X | | SPRING ROD LT |
| 26 | 19131316 | | WASHER |
| 27 | 76020412 | | COTTER PIN |
| 28 | 133261 | | BRAKE PARK ROD |
| 29 | 71673 | | PLUNGER CAP T |
| 30 | 130807 | | TRANSAXLE MTG BKT |
| 31 | 127289 | | "KEEPER,BELT LH" |
| 32 | 74760512 | | BOLT |
| 33 | 73680500 | | SUB= 73690500 |
| 34 | 122424X | | SUB= 149001 |
| 35 | 120183X | | NYLON BEARING |
| 36 | 19211616 | | WASHER LT |
| 37 | 1572H | | SUB= 2882J |
| 38 | 123674X | | PULLEY.IDLER.FLAT |
| 39 | 74760644 | | BOLT |
| 40 | 4470J | | SPACER T |
| 41 | 109070X | | BELT KEEPER LT |
| 42 | 19131312 | | WASHER |
| 43 | 73680600 | | SUB= 73690600 |
| 44 | 105706X | | "LY, BEARING" |
| 45 | 110812X | | WASHER LT |
| 46 | 12000039 | | KLIP RING |
| 47 | 127783 | | SUB= 139245 |
| 48 | 123789X | | ARM IDLER |
| 49 | 123205X | | RETAIN BELT |
| 50 | 74760624 | | SUB= 74930624 |
| 51 | 73680600 | | SUB= 73690600 |
| 52 | 19131616 | | WASHER HYT |
| 53 | 105710X | | "LINK, CLUTCH T" |
| 54 | 76020412 | | COTTER PIN |
| 55 | 105709X | | "SPRING, RETURN LT" |
| 56 | 76020412 | | COTTER PIN |
| 57 | 131006 | | BELT-V |
| 58 | 127290 | | "KEEPER,BELT RH" |
| 59 | 104777X | | SUB= 140312 |
| 60 | 19131312 | | WASHER |
| 61 | 17490612 | | SCREW |
| 62 | 8883R | | PEDAL COVER T |

| Ref # | Part Number | Qty | Description |
|-------|-------------|-----|---------------------|
| 63 | 134825 | | SUB= 136004 |
| 64 | 71170764 | | BOLT |
| 65 | 10040700 | | LOCKWASHER |
| 66 | 129921 | | KEEPER.BELT.ENG.L |
| 67 | 74760616 | | BOLT |
| 68 | 19131312 | | WASHER |
| 69 | 73680600 | | SUB= 73690600 |
| 70 | 134683 | | KEEPER BELT ENG |
| 71 | 74760616 | | BOLT |
| 72 | 19132012 | | WASHER |
| 73 | 73680600 | | SUB= 73690600 |
| 74 | 109502X | | SPACER LT |
| 75 | | | CHECK WITH SUPPLIER |
| 76 | 12000001 | | E-RING LT |
| 77 | 123583X | | SQUARE KEY |
| 78 | 121748X | | WASHER |
| 80 | 131487 | | ARM SHIFT TRANS |
| 81 | 131811 | | SUB= 136977 |
| 82 | 123782X | | "SPRING,TORSION" |
| 83 | 19171216 | | WASHER |
| 84 | 132183 | | TIE ROD |
| 85 | 73530400 | | NUT 1/4-28 |
| 86 | 127272X | | "BUSH,PIVOT T" |
| 87 | 126591X | | "WSHER,SHIM" |
| 88 | 12000003 | | RING T |
| 89 | 131636 | | SUB= 127271 |
| 90 | 124346X | | NUT |
| 91 | 74760540 | | BOLT |
| 93 | 73680500 | | SUB= 73690500 |
| 94 | 17490612 | | SCREW |
| 95 | 2228M | | SUB= 2228M1 |

16 HP 42" RIDING LAWN TRACTOR - - MODEL NUMBER 3420-24

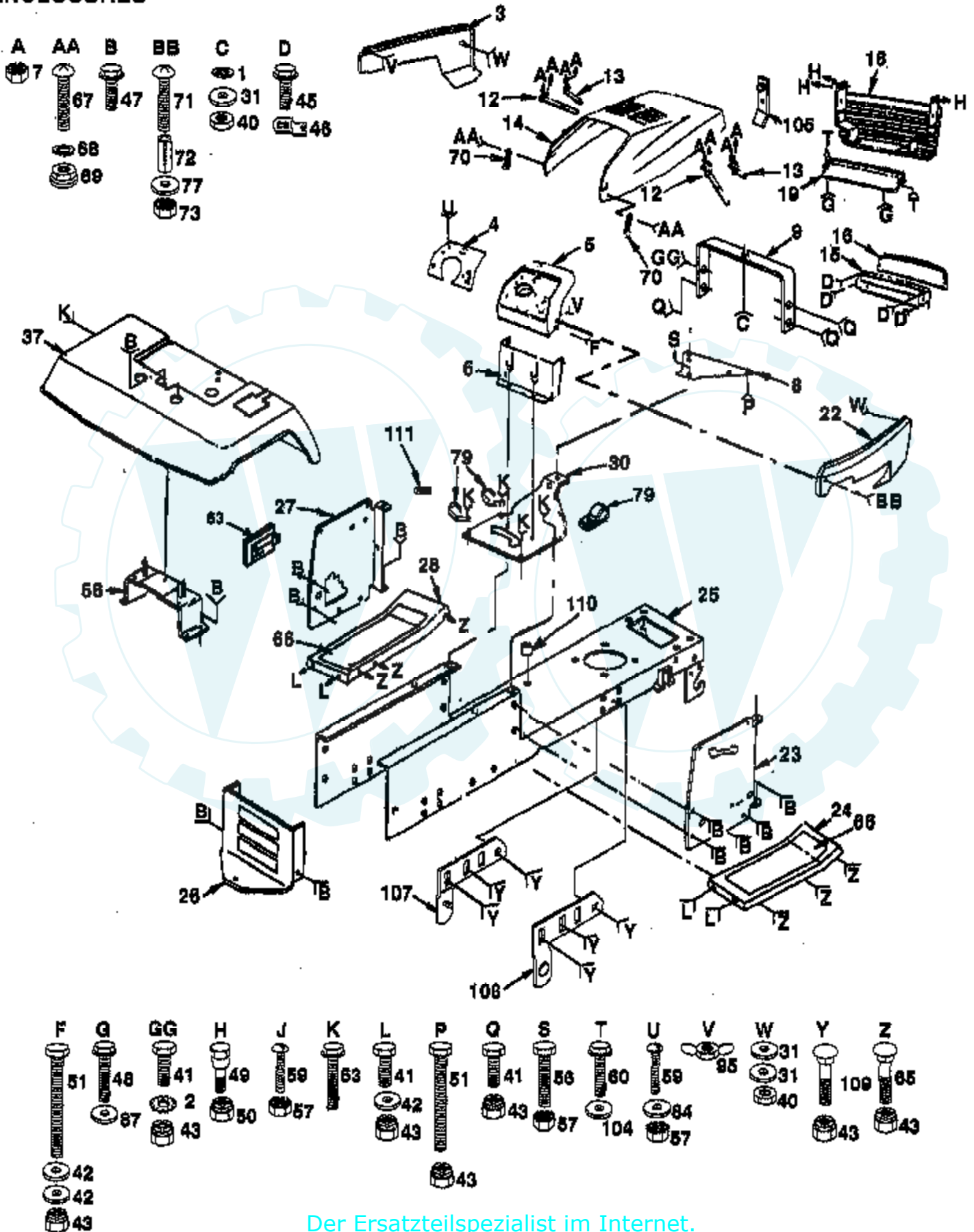
ELECTRICAL



| Ref # | Part Number | Qty | Description |
|-------|-------------|-----|---------------------|
| 1 | 123198X | | SUB= 146525 |
| 2 | 19091016 | | WASHER |
| 3 | 102476X | | SUB= 150109 |
| 4 | 72240460 | | BOLT |
| 5 | 121265X | | SUB= 123899X |
| 6 | 7603J | | "TRAY T, BATTERY" |
| 7 | 134979 | | "HARNES,IGNITION" |
| 8 | 127441X | | SUB= 136850 |
| 9 | 7662J | | SUB= 4152J |
| 10 | 7604J | | SUB= 7697J |
| 11 | 7192J | | WIRE TIE |
| 12 | 109553X | | SWITCH INTERLOCKT |
| 13 | 4206J | | CABLE-BATTERY T |
| 14 | 4406R | | SUB= STD365402 |
| 15 | 124211X | | NUT IGNITION |
| 16 | 122147X | | KEY |
| 17 | 109081X | | SUB= 146154 |
| 18 | 110712X | | SWITCH LT |
| 21 | 4799J | | "CABLE T, BATTERY" |
| 22 | 131563 | | SUB= 154336 |
| 23 | 4207J | | CABLE T |
| 25 | 109596X | | HOSE CLAMP T |
| 26 | 10040400 | | LOCKWASHER |
| 27 | 73350400 | | NUT |
| 28 | 74780408 | | BOLT |
| 29 | 73510400 | | NUT |
| 30 | | | CHECK WITH SUPPLIER |
| 31 | 73220400 | | SUB= 50675 |
| 32 | 11050400 | | LOCKWASHER |
| 33 | 108824X | | FUSE HYT |
| 41 | 10090400 | | SUB= 10040400 |
| 42 | 104445X | | SWITCH-INTER. GT |
| 45 | 123620X | | SUB= 141226 |
| 46 | 121305X | | SWITCH SEAT |
| 47 | 17021008 | | SCREW |
| 48 | 121264X | | "CAP,BATTERY " |
| 49 | 108236 | | SUB= 108236X |
| 50 | 130890X | | SUB= 130890 |

16 HP 42" RIDING LAWN TRACTOR - - MODEL NUMBER 3420-24

ENCLOSURES



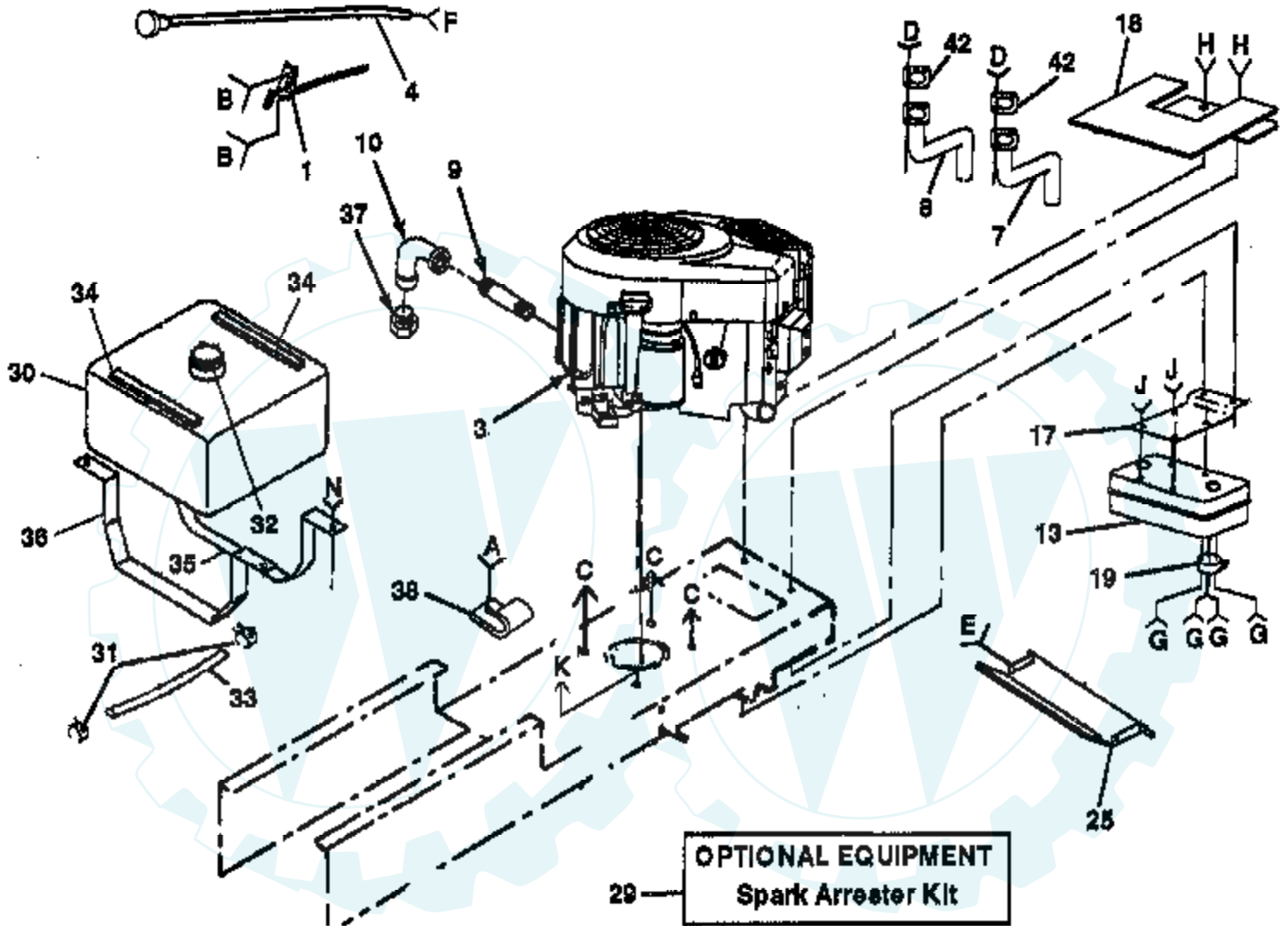
| Ref # | Part Number | Qty | Description |
|-------|-------------|-----|------------------|
| 1 | 10040400 | | LOCKWASHER |
| 2 | 11050600 | | LOCKWASHER |
| 3 | 132637X424 | | "PANEL,SIDE LH" |
| 4 | 134829X012 | | "PLATE,DASH" |
| 5 | 124252X | | SUB= 140398 |
| 6 | 104783X | | DASH ASSY LT |
| 7 | 73510400 | | NUT |
| 8 | 106965X | | SUB= 140181 |
| 9 | 124130X | | SUPPORT ASSY |
| 12 | 106784X | | SUB= 155013 |
| 13 | 104618X | | SUB= 155013 |
| 14 | 132635X424 | | SUB= 150301X424 |
| 15 | 124392X417 | | SUB= 147717 |
| 16 | 106395X | | LENS LT |
| 18 | 131716 | | SUB= 532131716 |
| 19 | 105419X424 | | "STRAP,GRILL" |
| 22 | 132636X424 | | "PANEL,SIDE RH" |
| 23 | 132071 | | SUB= 532132071 |
| 24 | 105464X424 | | SUB= 145243X424 |
| 25 | 135034 | | SUB= 145501 |
| 26 | 130805 | | SUB= 145009 |
| 27 | 132072 | | SUB= 532132072 |
| 28 | 105465X424 | | SUB= 145244X424 |
| 30 | 127543X012 | | SADDLE |
| 31 | 19091216 | | WASHER PM |
| 37 | 126599X424 | | FENDER |
| 40 | 73220400 | | SUB= 50675 |
| 41 | 74760612 | | SUB= 74780612 |
| 42 | 19131312 | | WASHER |
| 43 | 73680600 | | SUB= 73690600 |
| 45 | 17211010 | | SCREW LT |
| 46 | 104755X | | "J" FASTENER LT" |
| 47 | 17490612 | | SCREW |
| 48 | 17490512 | | SCREW |
| 49 | 123481X | | SUB= 7605J |
| 50 | 73680400 | | SUB= 73690400 |
| 51 | 74760620 | | SUB= 74780620 |
| 53 | 17490608 | | SCREW LT |
| 56 | 74780512 | | BOLT |
| 57 | 73510500 | | NUT |
| 58 | 109873X | | SUB= 136619 |
| 59 | 74180512 | | SCREW |
| 60 | 17490412 | | SCREW HEX CRT |
| 63 | 121794X | | COVER ACCESS |
| 65 | 72110606 | | BOLT |
| 66 | 133671 | | FOOTREST PAD |
| 67 | 74191008 | | SCREW |
| 68 | 10071000 | | LOCKWASHER |
| 69 | 2029J | | WELDNUT |
| 70 | 109808X | | HOOD LATCH T |
| 71 | 74981020 | | SCREW |
| 72 | 7206J | | SPACER LT |
| 73 | 73731000 | | NUT |
| 77 | 19070818 | | WASHER |
| 79 | 2751R | | CLIP T |
| 84 | 19111116 | | WASHER |
| 87 | 19131210 | | WASHER |
| 95 | 123198X | | SUB= 146525 |

| Ref # | Part Number | Qty | Description |
|-------|-------------|-----|---------------------|
| 104 | 19091016 | | WASHER |
| 105 | 132644 | | SUB= 532132644 |
| 107 | 134774 | | PIVOT BRKT LH |
| 108 | 134775 | | PIVOT BRKT RH |
| 109 | 72140606 | | BOLT |
| 110 | 9151R | | SNAP BUSHING T |
| 111 | | | CHECK WITH SUPPLIER |

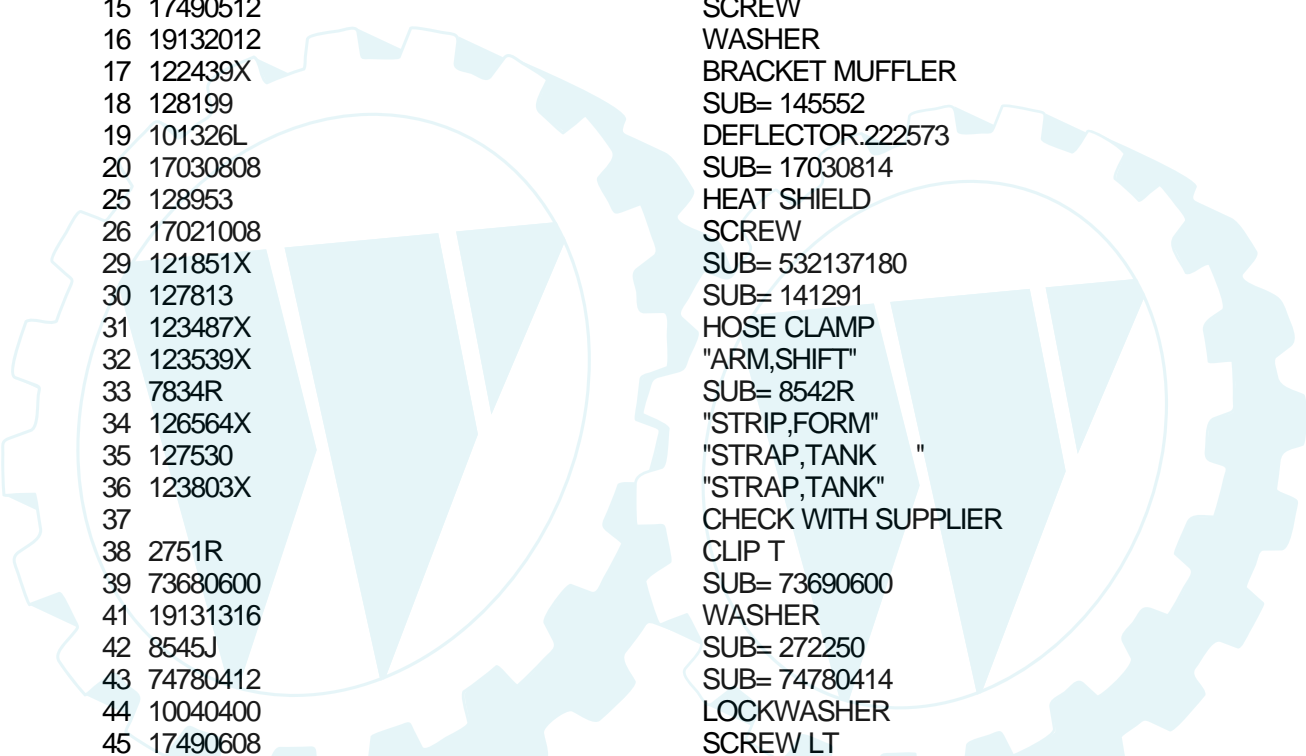


16 HP 42" RIDING LAWN TRACTOR - - MODEL NUMBER 3420-24

ENGINE



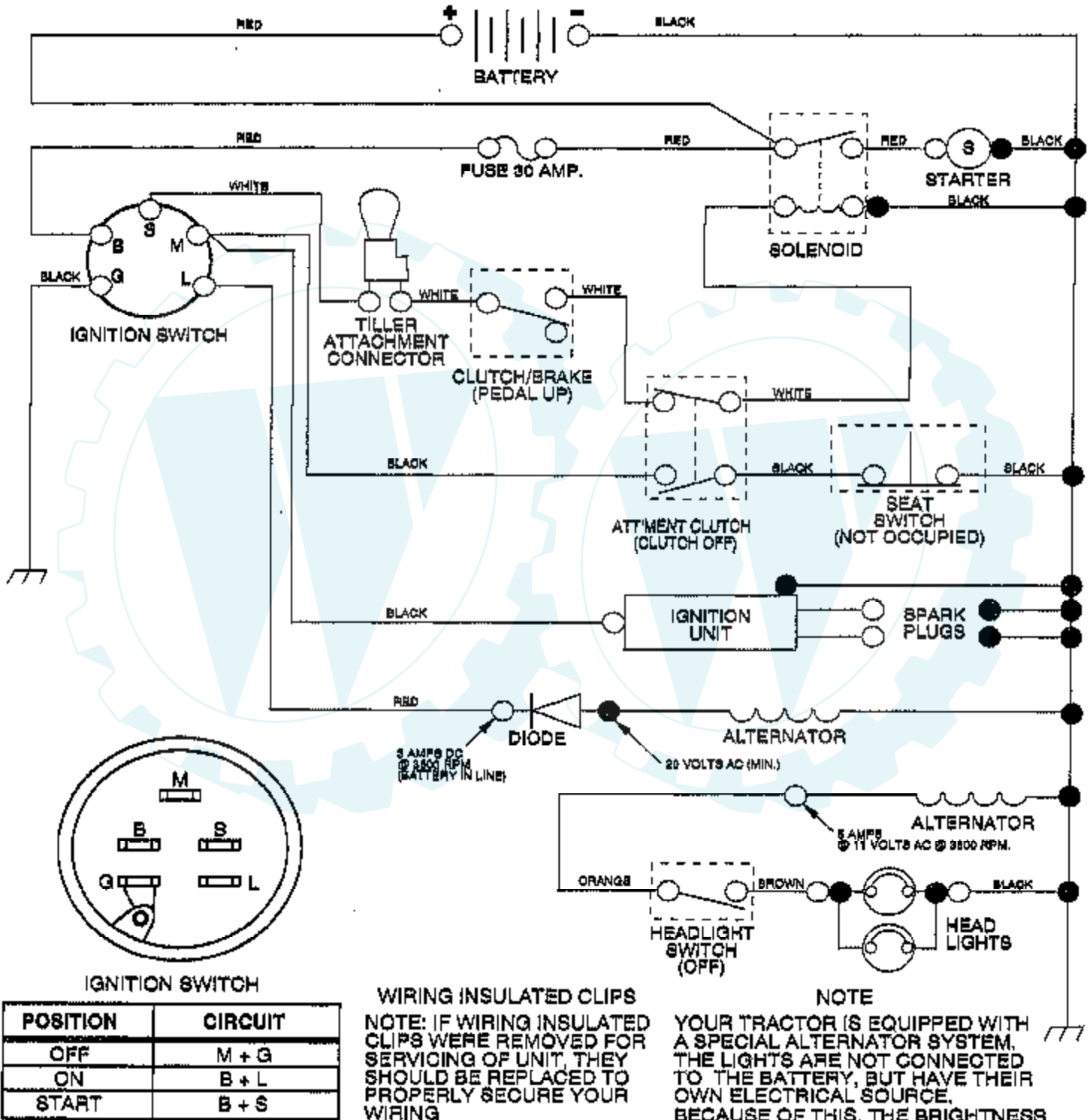
- | | | | | | | | | | | |
|----------------|---------------|----------------|----------------------|----------------|--------------------------|----------------|----------------------|----------------|---------------------|----------------|
| A 39 | B 2 | C 12 | D 43 44 | E 26 | F 41 5 6 | G 20 | H 15 16 | J 14 | K 12 5 | N 45 |
|----------------|---------------|----------------|----------------------|----------------|--------------------------|----------------|----------------------|----------------|---------------------|----------------|



| Ref # | Part Number | Qty | Description |
|-------|-------------|-----|---------------------|
| 1 | 132747 | | SUB= 532132748 |
| 2 | 17720410 | | SCREW LT |
| 3 | | | CHECK WITH SUPPLIER |
| 4 | 132781 | | CHOKE CONTROL |
| 5 | 11050600 | | LOCKWASHER |
| 6 | 73610600 | | SUB= 7810H |
| 7 | 129466 | | SUB= 144068 |
| 8 | 129465 | | SUB= 136989 |
| 9 | 13280336 | | PIPE NIPPLE LT |
| 10 | 13200300 | | ELBOW |
| 12 | 17490624 | | SCREW LT |
| 13 | 129464 | | MUFFLER |
| 14 | 17190408 | | SCREW ST |
| 15 | 17490512 | | SCREW |
| 16 | 19132012 | | WASHER |
| 17 | 122439X | | BRACKET MUFFLER |
| 18 | 128199 | | SUB= 145552 |
| 19 | 101326L | | DEFLECTOR.222573 |
| 20 | 17030808 | | SUB= 17030814 |
| 25 | 128953 | | HEAT SHIELD |
| 26 | 17021008 | | SCREW |
| 29 | 121851X | | SUB= 532137180 |
| 30 | 127813 | | SUB= 141291 |
| 31 | 123487X | | HOSE CLAMP |
| 32 | 123539X | | "ARM,SHIFT" |
| 33 | 7834R | | SUB= 8542R |
| 34 | 126564X | | "STRIP,FORM" |
| 35 | 127530 | | "STRAP,TANK" |
| 36 | 123803X | | "STRAP,TANK" |
| 37 | | | CHECK WITH SUPPLIER |
| 38 | 2751R | | CLIP T |
| 39 | 73680600 | | SUB= 73690600 |
| 41 | 19131316 | | WASHER |
| 42 | 8545J | | SUB= 272250 |
| 43 | 74780412 | | SUB= 74780414 |
| 44 | 10040400 | | LOCKWASHER |
| 45 | 17490608 | | SCREW LT |

16 HP 42" RIDING LAWN TRACTOR - - MODEL NUMBER 3420-24

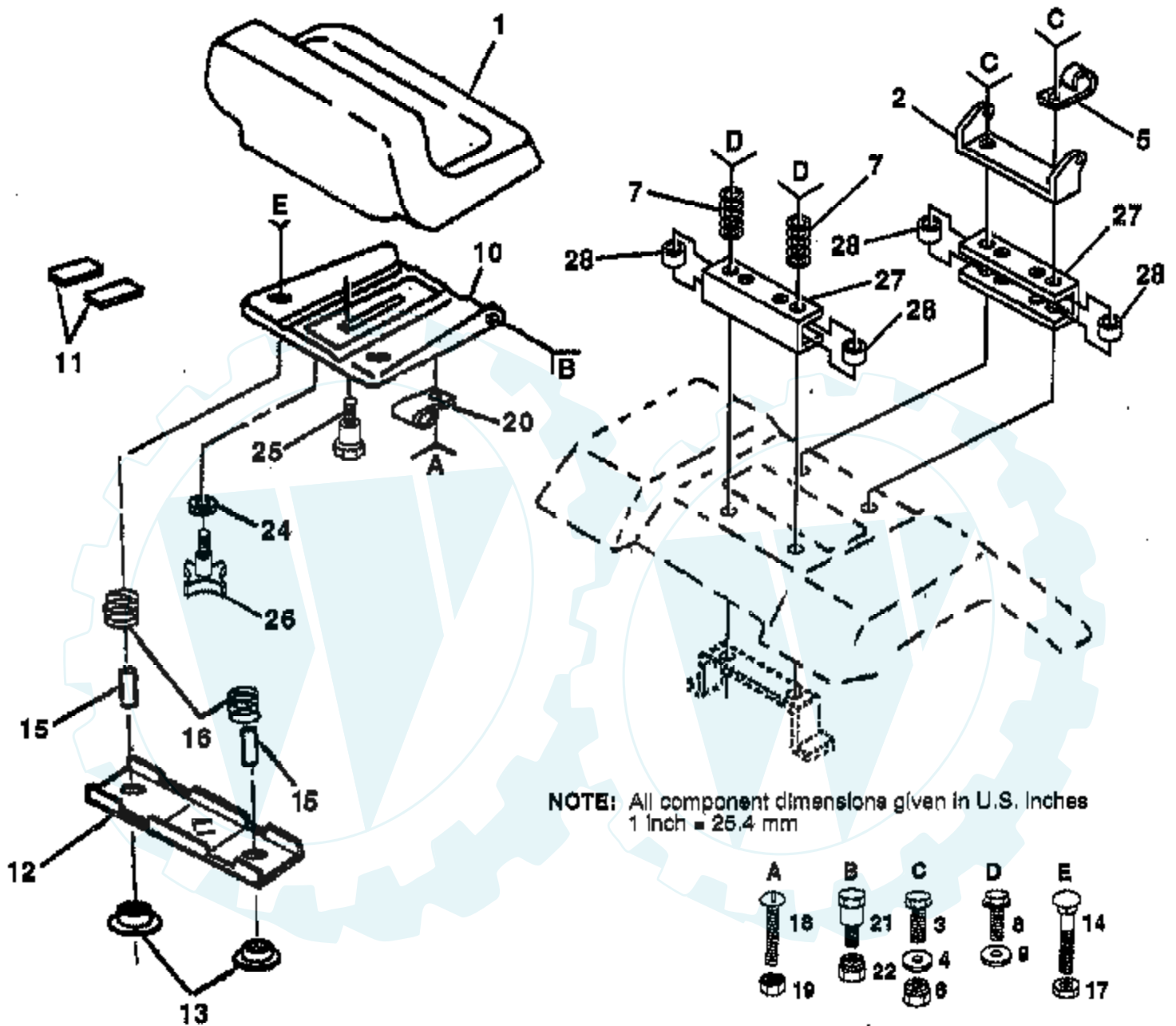
SCHEMATIC



● NON-REMOVABLE CONNECTIONS

○ REMOVABLE CONNECTIONS

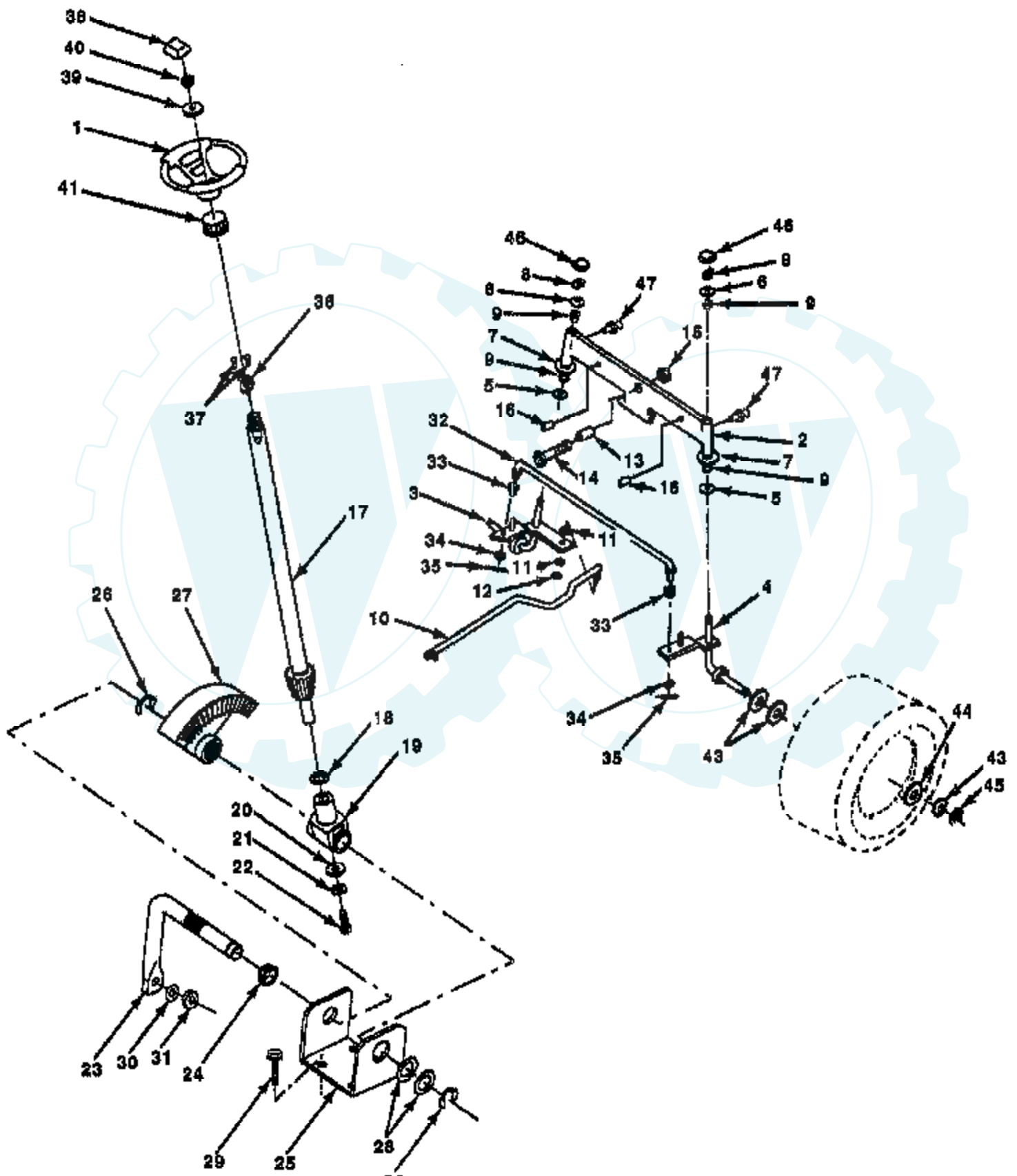
16 HP 42" RIDING LAWN TRACTOR -- MODEL NUMBER 3420-24 SEAT ASSEMBLY



| Ref # | Part Number | Qty | Description |
|-------|-------------|-----|-------------------|
| 1 | 127429X | | SUB= 140121 |
| 2 | 126656X | | SUB= 140551 |
| 3 | 74760640 | | BOLT |
| 4 | 19131210 | | WASHER |
| 5 | 2751R | | CLIP T |
| 6 | 73680600 | | SUB= 73690600 |
| 7 | 124181X | | SPRING COMPRESSIO |
| 8 | 17490640 | | SCREW |
| 9 | 19131614 | | WASHER |
| 10 | 131451 | | SUB= 155925 |
| 11 | 121251X | | STRIP FORM |
| 12 | 121246X | | BRKT SWITCH |
| 13 | 121248X | | BUSHING |
| 14 | 72050411 | | SUB= 872050411 |
| 15 | 121249X | | SPACER SPLIT |
| 16 | 123740X | | SPRING COMPRESSED |
| 17 | 123976X | | SUB= 73900400 |
| 18 | 74641008 | | SUB= 71031008 |
| 19 | 73951000 | | "NUT,KEPS" |
| 20 | 4171R | | CLIP T |
| 21 | 105529X | | SUB= 139888 |
| 22 | 73680500 | | SUB= 73690500 |
| 24 | 19171912 | | WASHER |
| 25 | 127018X | | "BOLT,SHOULDER" |
| 26 | 120068X | | "KNOB 1/2" YT" |
| 27 | 131772 | | SEAT SPACER |
| 28 | 131771 | | SPLIT SPACER |

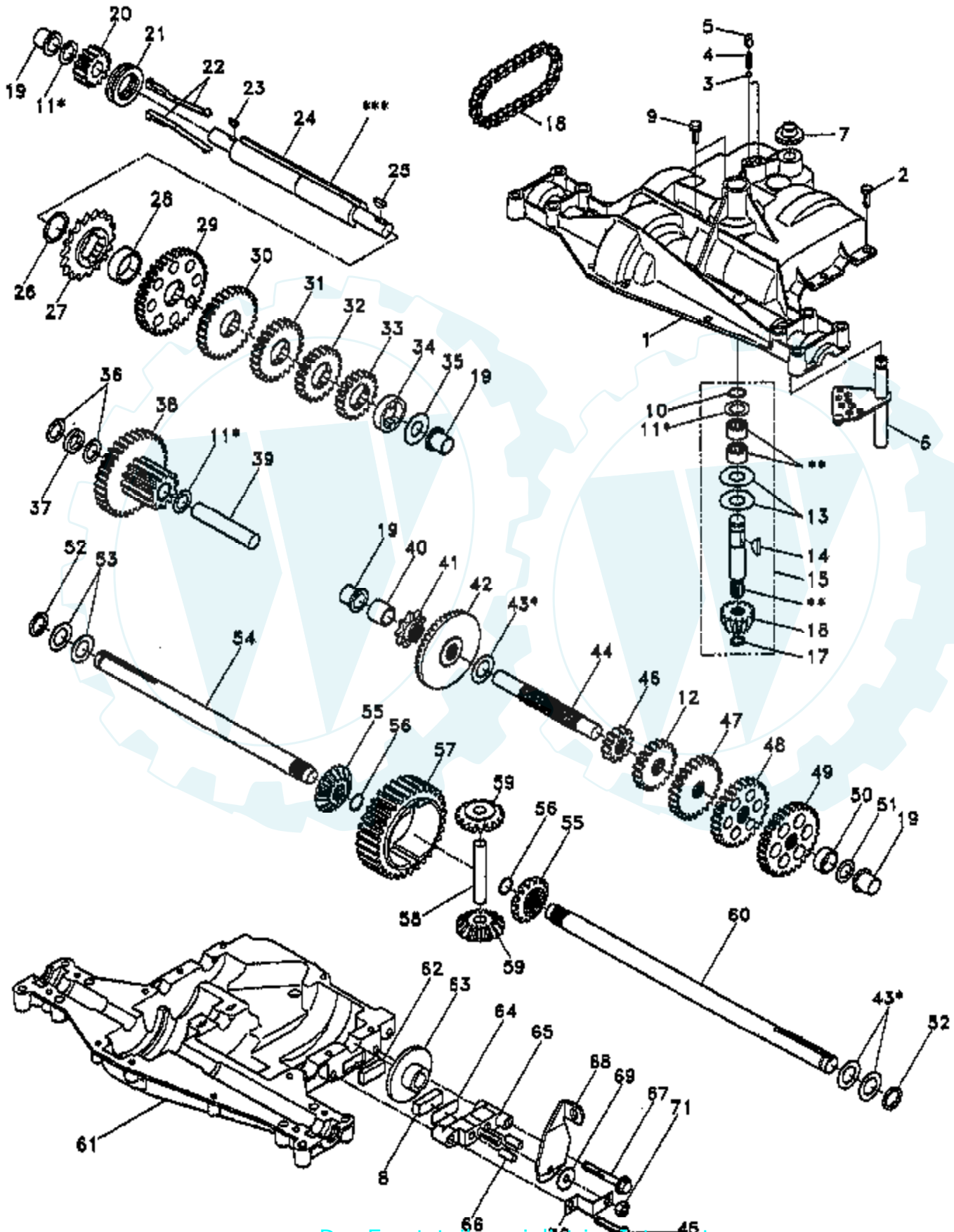
16 HP 42" RIDING LAWN TRACTOR - - MODEL NUMBER 3420-24

STEERING ASSEMBLY



| Ref # | Part Number | Qty | Description |
|-------|-------------|-----|-------------------|
| 1 | 133741 | | SUB= 150547 |
| 2 | 133988 | | SUB= 142033 |
| 3 | 135227 | | SPINDLE LH |
| 4 | 135228 | | SPINDLE RH |
| 5 | 6266H | | WASHER .T |
| 6 | 121748X | | WASHER |
| 7 | 19272016 | | WASHER |
| 8 | 12000029 | | RING |
| 9 | 3366R | | COL. SRTG. BEAR. |
| 10 | 130468 | | SUB= 532130468 |
| 11 | 10040600 | | LOCKWASHER |
| 12 | 73610600 | | SUB= 7810H |
| 13 | 110438X | | BEARING |
| 14 | 74011056 | | BOLT HEX 5/8-11 |
| 15 | 73601000 | | SUB= 73901000 |
| 16 | 132624 | | AXLE PIN |
| 17 | 128758 | | STEERING SHAFT |
| 18 | 57079 | | THRUST WASHER |
| 19 | 124035X | | SUPPORT.SHAFT |
| 20 | 126684X | | SUB= 532126684 |
| 21 | 10040400 | | LOCKWASHER |
| 22 | 71070410 | | "SCREW,SPECIAL" |
| 23 | 127501 | | SUB= 918127501 |
| 24 | 109816X | | NYLINER T |
| 25 | 124036X | | "BRKT,STEERING" |
| 26 | 12000029 | | RING |
| 27 | 124034X | | SUB= 136874 |
| 28 | 6266H | | WASHER .T |
| 29 | 17490612 | | SCREW |
| 30 | 10040600 | | LOCKWASHER |
| 31 | 73610600 | | SUB= 7810H |
| 32 | 130465 | | TIE ROD |
| 33 | 126847X | | BUSHING.DRAGLINK |
| 34 | 19131416 | | WASHER |
| 35 | 76020412 | | COTTER PIN |
| 36 | 1554J | | SUB= 155108 |
| 37 | 17431008 | | SUB= 98000165 |
| 38 | 133742 | | ST WHL INSERT CAP |
| 39 | 100712K | | WASHER |
| 40 | 73940800 | | SUB= 73360800 |
| 41 | 100711L | | ADAPTER LT |
| 43 | 121749X | | WASHER |
| 44 | 121748X | | WASHER |
| 45 | 12000029 | | RING |
| 46 | 121232X | | CAP |
| 47 | 6855M | | ZERK M |

16 HP 42" RIDING LAWN TRACTOR - - MODEL NUMBER 3420-24 TRANSAXLE FOOTE - - MODEL NUMBER 4360-37



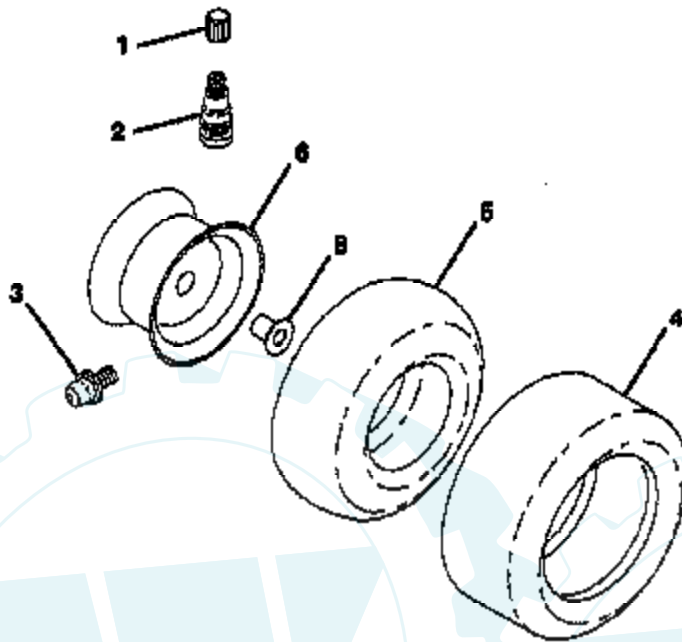
| Ref # | Part Number | Qty | Description |
|-------|-------------|-----|----------------------------------|
| 1 | 3865-A | | HOUSING UPPER |
| 2 | 1919 | | SCREW |
| 3 | 5112 | | BALL, DETENT |
| 4 | 3626 | | SPRING, DETENT |
| 5 | 3623 | | SCREW, SET |
| 6 | 4601 | | KIT SHIFTER ASSY |
| 7 | 5024 | | BOOT, SHIFTER |
| 8 | 3907 | | PUCK, FRICTION |
| 9 | 5131 | | SCREW TAPPING WITH SEALER |
| 10 | 1099 | | RING RETAINING |
| 11 | 4689 | | ASSY, KIT, SHIM .625 SHAFT |
| 12 | 3707 | | GEAR SPUR, 15 TEETH |
| 13 | 3876 | | WASHER, PLAIN .632 X 1.38 X .046 |
| 14 | 1374 | | KEY WOODRUFF #9 |
| 15 | 4171 | | ASSY KIT INPUT SHAFT |
| 16 | 3725 | | PINION BEVEL 14 TEETH |
| 17 | 3624 | | RING, RETAINING |
| 18 | 3625 | | CHAIN, 24 PITCHES |
| 19 | 1542 | | BEARING, FLANGE |
| 20 | 3773 | | GEAR SPUR, 14 TEETH |
| 21 | 3631 | | COLLAR CLUTCH |
| 22 | 5266 | | KEY CLUTCH |
| 23 | 1369 | | KEY WOODRUFF #3 |
| 24 | 3883 | | SHAFT INTERMEDIATE |
| 25 | 1375 | | KEY, WOODRUFF, #61 |
| 26 | 3627 | | RING, RETAINING |
| 27 | 3830 | | SPROCKET, 18 TEETH |
| 28 | 3841 | | SPACER |
| 29 | 3786 | | GEAR, SPUR, 37 TEETH |
| 30 | 3785 | | GEAR, SPUR, 35 TEETH |
| 31 | 3867 | | GEAR, SPUR, 30 TEETH |
| 32 | 3783 | | GEAR, SPUR, 25 TEETH |
| 33 | 3869 | | GEAR, SPUR, 22 TEETH |
| 34 | 5202 | | GEAR, SPUR, 19 TEETH |
| 35 | 3628 | | WASHER, PLAIN .640 X 1.37 X .061 |
| 36 | 1423 | | WASHER, PLAIN .632 X 1.00 X .026 |
| 37 | 3422 | | SPACER .630 X 1.00 X .169 |
| 38 | 4286 | | ASSY GEAR COMB 12&35 TEETH |
| 39 | 3967 | | SHAFT, IDLER |
| 40 | 3901 | | SPACER .635 X .875 X .755 |
| 41 | 3645 | | SPROCKET, 9 TEETH |
| 42 | 3589 | | GEAR, BEVEL, 42 TEETH |
| 43 | 4691 | | ASSY, KIT, SHIM .750 SHAFT |
| 44 | 3882 | | SHAFT, DRIVE |
| 45 | 3724 | | SCREW TAPPING |
| 46 | 3646 | | GEAR, SPUR, 12 TEETH |
| 47 | 3866 | | GEAR, SPUR, 20 TEETH |
| 48 | 3719 | | GEAR, SPUR, 25 TEETH |
| 49 | 3868 | | GEAR, SPUR, 28 TEETH |
| 50 | 3683 | | GEAR, SPUR, 31 TEETH |
| 51 | 1145 | | WASHER, PLAIN .632 X 1.00 X .060 |
| 52 | 5130 | | WASHER, NEOPRENE |
| 53 | 3184 | | WASHER, PLAIN .758 X 1.25 X .031 |
| 54 | 3880 | | AXLE LEFT HAND |
| 55 | 3871 | | GEAR MITER 15 TEETH |
| 56 | 3656 | | RING, RETAINING |
| 57 | 3839 | | GEAR, SPUR, 32 TEETH |
| 58 | 3919 | | SHAFT, CROSS |

| Ref # | Part Number | Qty | Description |
|-------|-------------|-----|----------------------------------|
| 59 | 3726 | | GEAR, MITER, 15 TEETH |
| 60 | 3881 | | AXLE, R.H. |
| 61 | 3864-B | | HOUSING LOWER |
| 62 | 3920 | | PUCK, FRICTION |
| 63 | 3276 | | DISC, BRAKE |
| 64 | 3758 | | SPACER |
| 65 | 3916 | | JAW, BRAKE |
| 66 | 3843 | | PIN, DOWEL |
| 67 | 5120 | | SCREW, SELF-TAPPING |
| 68 | 3768 | | LEVER, ACTUATING |
| 69 | 3760 | | WASHER, PLAIN .321 X 1.00 X .055 |
| 70 | 3917 | | BRACKET, ANTI-ROTATION |
| 71 | 3847 | | LOCKNUT 5/16-24 |
| 72 | 4300 | | GREASE |



16 HP 42" RIDING LAWN TRACTOR - - MODEL NUMBER 3420-24

WHEELS & TIRES



NOTE: All component dimensions given in U.S. Inches.
1 inch - 25.4 mm.

| Ref # | Part Number | Qty | Description |
|-------|-------------|-----|-------------------|
| 1 | 59192 | | VALVE CAP |
| 2 | 65139 | | VALVE STEM LT |
| 3 | 278H | | FITTING LT |
| 4 | 134971 | | TIRE TM 15X6X6 |
| 4 | 134970 | | TIRE TM 20X8X8 |
| 5 | 59904 | | TUBE.5.3/4.5/6 |
| 5 | 7152J | | TUBE.18X9.5-8 |
| 6 | 106732X361 | | SUB= 106732X417 |
| 6 | 106108X361 | | SUB= 106108X417 |
| 7 | 104757X | | HUB CAP |
| 8 | 9040H | | "FLANGE, BEARING" |

