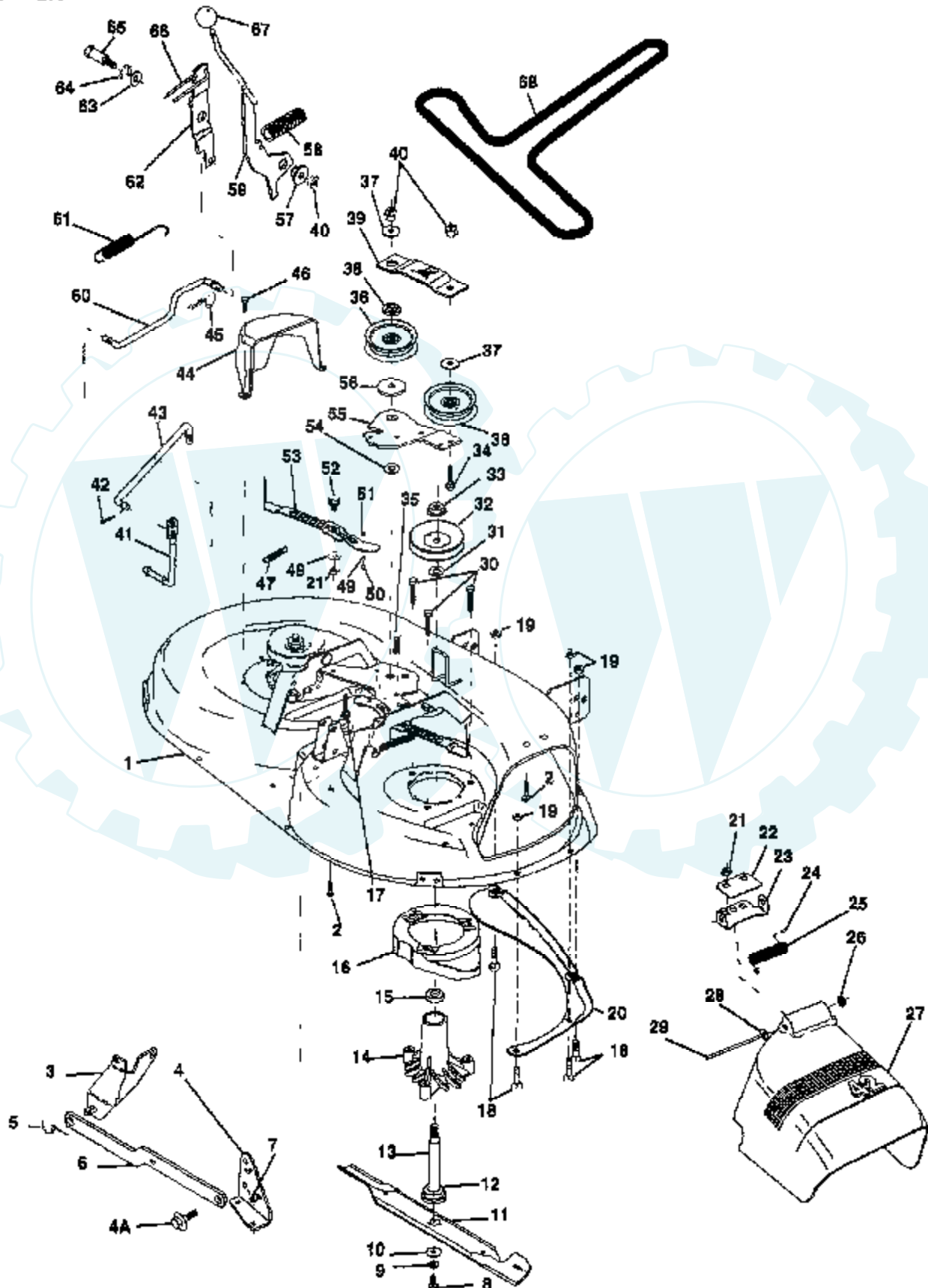


18 HP 42" TRACTOR -- MODEL NUMBER 2P4C3A

42" MOWER



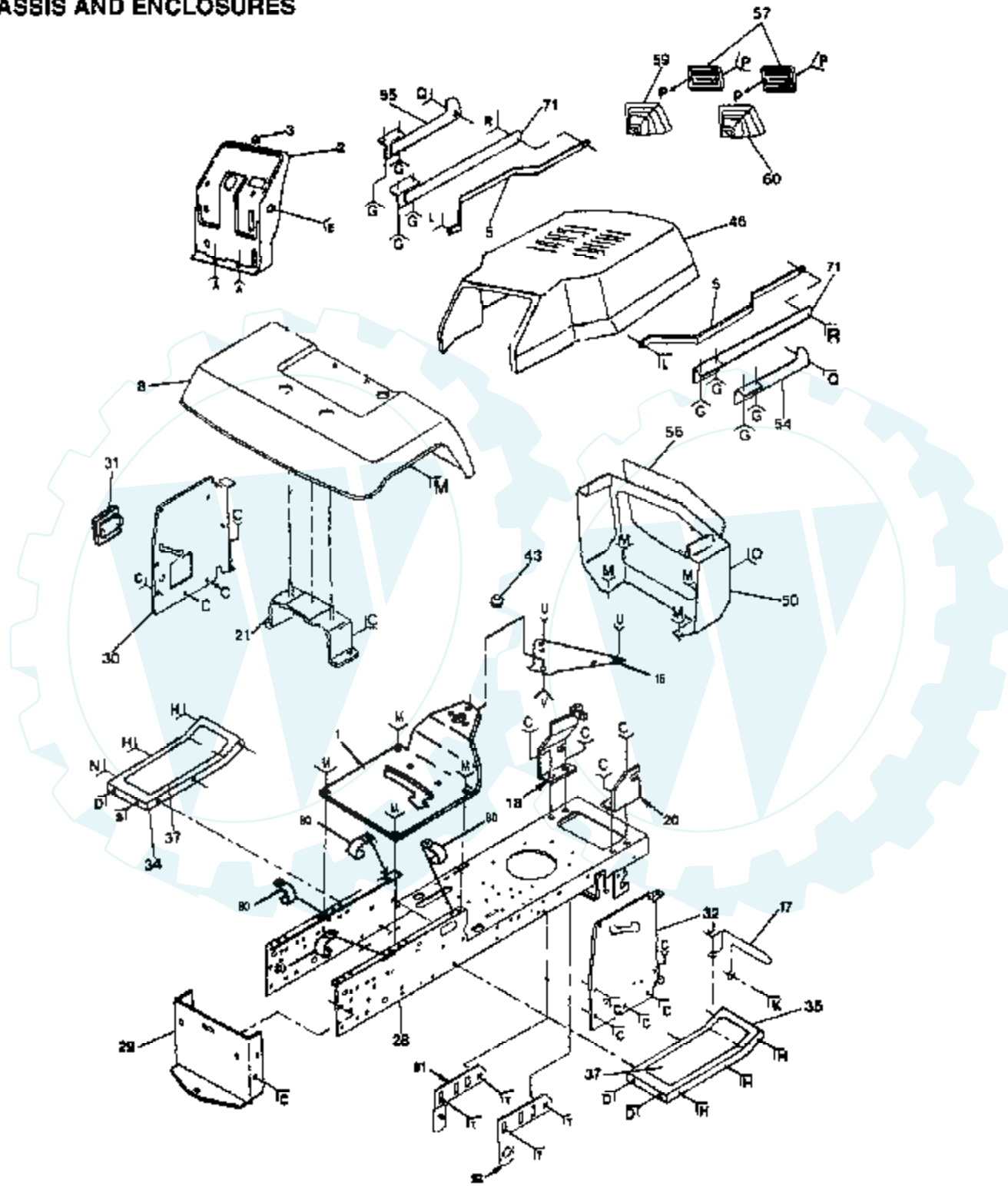
Ref #	Part Number	Qty	Description
1	138024		SUB= 145338
2	72140506		BOLT
3	138017		BRKT ASM SWAY BAR
4	138440		BRKT DECK SW BAR
4A	132827		BOLT SHD 5/16-18
5	4939M		SUB= 85902
6	130832		SUB= 130833
7	73800500		NUT
8	850857		BLADE BOLT
9	10030600		SUB= 10040600
10	129962		WASHER BLADE
11	138498		"BLADE.42"" HIPERF"
12	129895		BEARING.BALL
13	137645		SUB= 137646
14	128774		HSG ASM MANDREL
15	110485X		BEARING
16	128961		SUB= 140329
17	72110618		BOLT CARRIAGE
18	72140505		BOLT
19	73800500		NUT
20	136888		SUB= 918136888
21	73680500		SUB= 73690500
22	134753		STIFFENER BRKT
23	131267		DEFLECTOR BRKT
24	105304X		CAP-SLEEVE LT
25	123713X		SPRING TORSION
26	110452X		NUT PUSH M
27	130968		DEFLECTOR.SHIELD
28	19111016		WASHER
29	131491		HINGE ROD
30	78158		SUB= 17580520
31	129963		WASHER
32	129861		SUB= 153535
33	137266		SUB= 139729
34	72110614		BOLT
35	133835		XMAS TREE FASTNER
36	131494		FLAT IDLER PULLEY
37	19131612		WASHER GT
38	133502		RETAINER SPACER
39	133503		IDLER ARM STIFF
40	73680600		SUB= 73690600
41	133551		PIVOT ROD
42	76020312		SUB= 3145
43	133504		CLUTCH ROD SECOND
44	134236		SUB= 140088
45	4497H		RETAINER M
46	17720410		SCREW LT
47	131335		SPRING EXTENSION
48	133944		HARD SMALL WASHER
49	133940		SUB= 151785
50	131340		SHOULDER BOLT
51	69180		LOCKNUT
52	105529X		SUB= 139888
53	131845		BRAKE PAD ARM ASM
54	133943		HARDENED WASHER
55	133844		IDLER ARM
56	122052X		SPACER RETAINER
57	127498		BUSHING

Ref #	Part Number	Qty	Description
58	128759		SUB= 918128759
59	138003		LEVER.ASM.CLUTCH
60	134666		"ROD, CLUTCH PRIM"
61	131870		RETURN SPRING
62	131870		RETURN SPRING
62	127847		CLUTCH ARM SECOND
63	121748X		WASHER
64	12000029		RING
65	128903		SHOULDER BOLT
66	127845		SPRING KEEPER
67	132044		SUB= 532132044
68	130969		BELT-V.92.4.MWR
	130794		MANDREL ASM
	138357		SUB= 145411



18 HP 42" TRACTOR -- MODEL NUMBER 2P4C3A

CHASSIS AND ENCLOSURES



- | | | | | | | | | | | | | | | | | | | |
|----------|----------|----------|----------|----------|----------|----------|----------|----------|----------|----------|----------|----------|----------|----------|----------|----------|----------|----------|
| A | C | D | E | G | H | J | K | L | M | N | O | P | Q | R | S | T | U | V |
| 4 | 11 | 13 | 13 | 72 | 36 | 68 | 52 | 33 | 49 | 8 | 89 | 58 | 73 | 75 | 10 | 93 | 63 | 16 |
| 6 | | 12 | 13 | 7 | 7 | 68 | 67 | 39 | 7 | 7 | 70 | 58 | 44 | 44 | 12 | 94 | 14 | 6 |
| | | 7 | 14 | | | | 27 | 74 | | | | | 48 | 48 | 17 | | | |

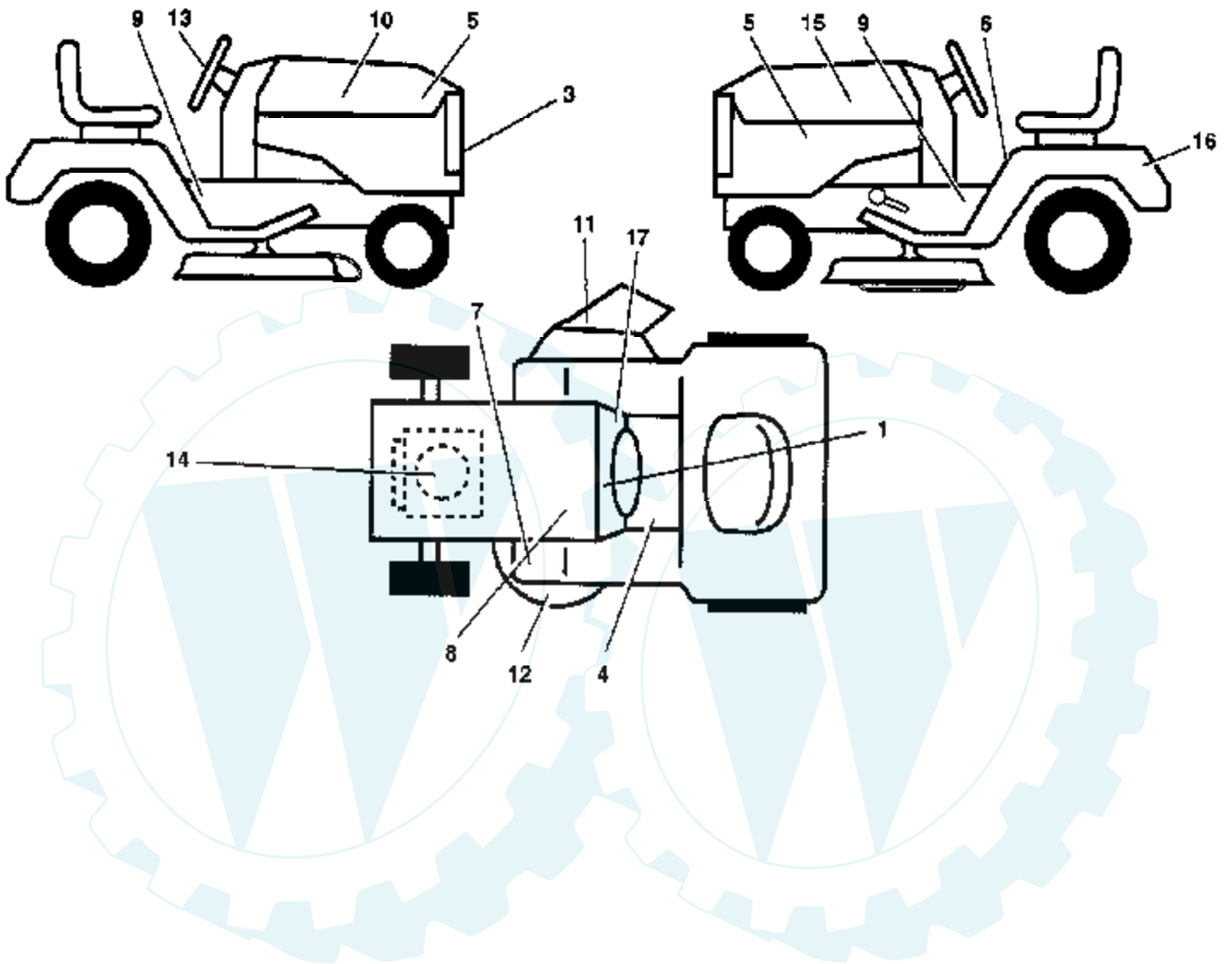
Ref #	Part Number	Qty	Description
1	131343X018		SADDLE.SLKSCR.6SP
2	122341X		DASH
3	8022J		PLUG-DASH T
4	74180512		SCREW
5	109587X		NLA
6	73680500		SUB= 73690500
7	73680600		SUB= 73690600
8	109872X505		FENDER
9	72140608		SUB= 72110608
10	74760614		SUB= 74760616
11	17490612		SCREW
12	19131312		WASHER
13	74760612		SUB= 74780612
14	73680600		SUB= 73690600
15	137654		SUB= 140181
16	74760512		BOLT
17	135029		MUFFLER GUARD
18	110853X		SUPPORT RH YTH
20	110852X		SUPPORT LH YTH
21	136619		BRKT FENDER
28	135034		SUB= 145501
29	130805		SUB= 145009
30	132178		DASH PANEL LH
32	132069		SUB= 532132069
33	74760412		BOLT LT
34	105465X505		SUB= 145244X505
35	105464X505		SUB= 145243X505
36	72110606		BOLT
37	131864		"PAD,FOOTREST"
39	10040400		LOCKWASHER
43	110436X		SUB= 9151R
44	19090816		WASHER
46	3607J505		HOOD.BOLD.BREED
48	73680400		SUB= 73690400
49	17490608		SCREW LT
50	5351J505		GRILL.BOLD.BREED
52	72110608		BOLT D
54	677A876		STRAP ASSY T
55	677A875		STRAP ASSY T
56	101235L431		SUB= 101235L
57	109671X		LENS T
58	17990808		SCREW
59	7606J505		SUB= 7606J361
60	7607J505		SUB= 7607J361
63	74760612		SUB= 74780612
66	17490616		SCREW GTV
67	19131316		WASHER
68	19131616		WASHER HYT
69	17511208		SCREW
70	8019J		SUB= 19071018
71	677A432		STRAP ASSY-REAR T
72	17411310		SUB= 17521312
73	7605J		BOLT T
74	73220400		SUB= 50675
75	124549X		"BOLT,SHOULDER"
80	126471X		"CLIP,INSULATOR"
91	134774		PIVOT BRKT LH
92	134775		PIVOT BRKT RH

Ref #	Part Number	Qty	Description
93	72140606		BOLT
94	73800600		NUT

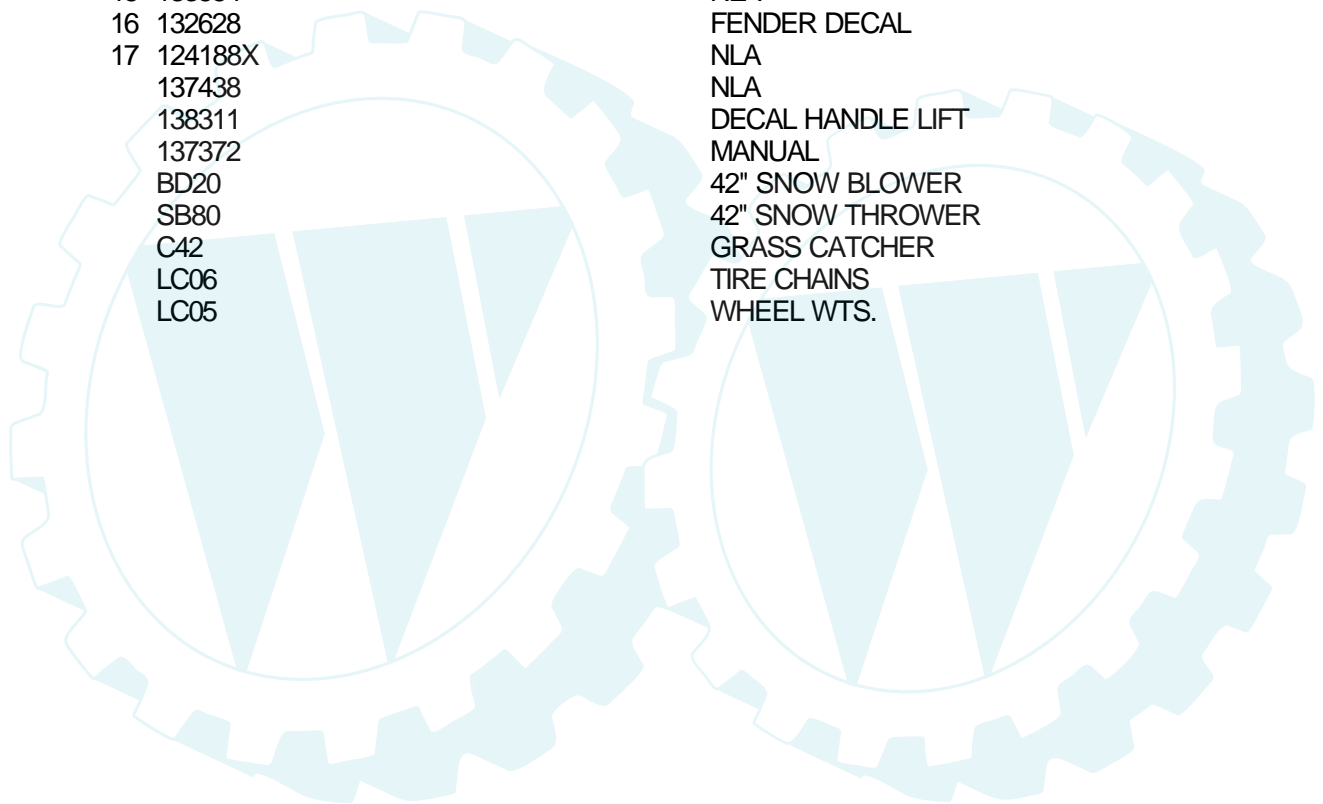


18 HP 42" TRACTOR -- MODEL NUMBER 2P4C3A

DECALS

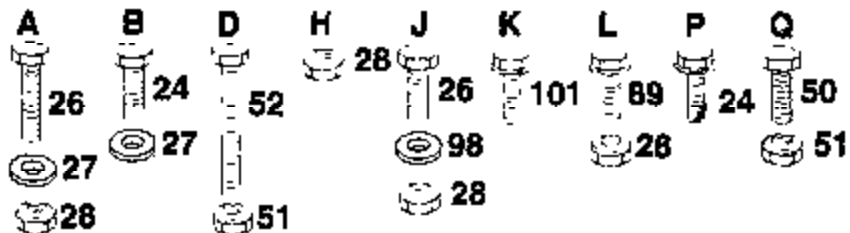
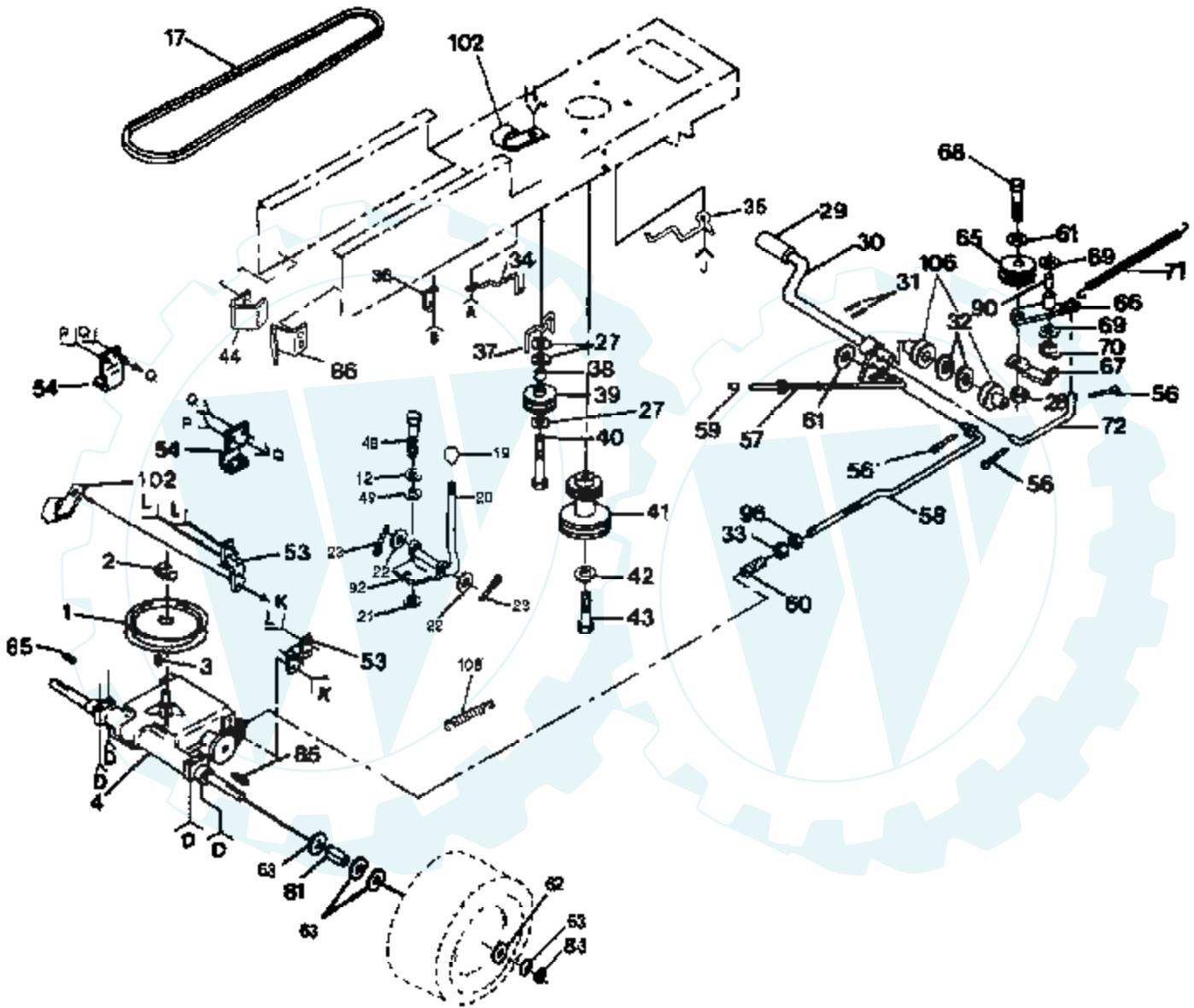


Ref #	Part Number	Qty	Description
1	121892X		DECAL DASH
3	132627		GRILL DECAL
4	124189X		NLA
5	127042		DECAL PANEL T
6	133795		DECAL CAUTION
7	101892X		DECAL T
8	121549X		DECAL
9	131425		CHASSIS DECAL
10	133553		NLA
11	137259		"DECAL, WARNING"
12	135013		NLA
13	127075		"DECAL,STR WHL"
14	135429		DECAL.ENG.272757
15	133554		NLA
16	132628		FENDER DECAL
17	124188X		NLA
	137438		NLA
	138311		DECAL HANDLE LIFT
	137372		MANUAL
	BD20		42" SNOW BLOWER
	SB80		42" SNOW THROWER
	C42		GRASS CATCHER
	LC06		TIRE CHAINS
	LC05		WHEEL WTS.



18 HP 42" TRACTOR -- MODEL NUMBER 2P4C3A

DRIVE





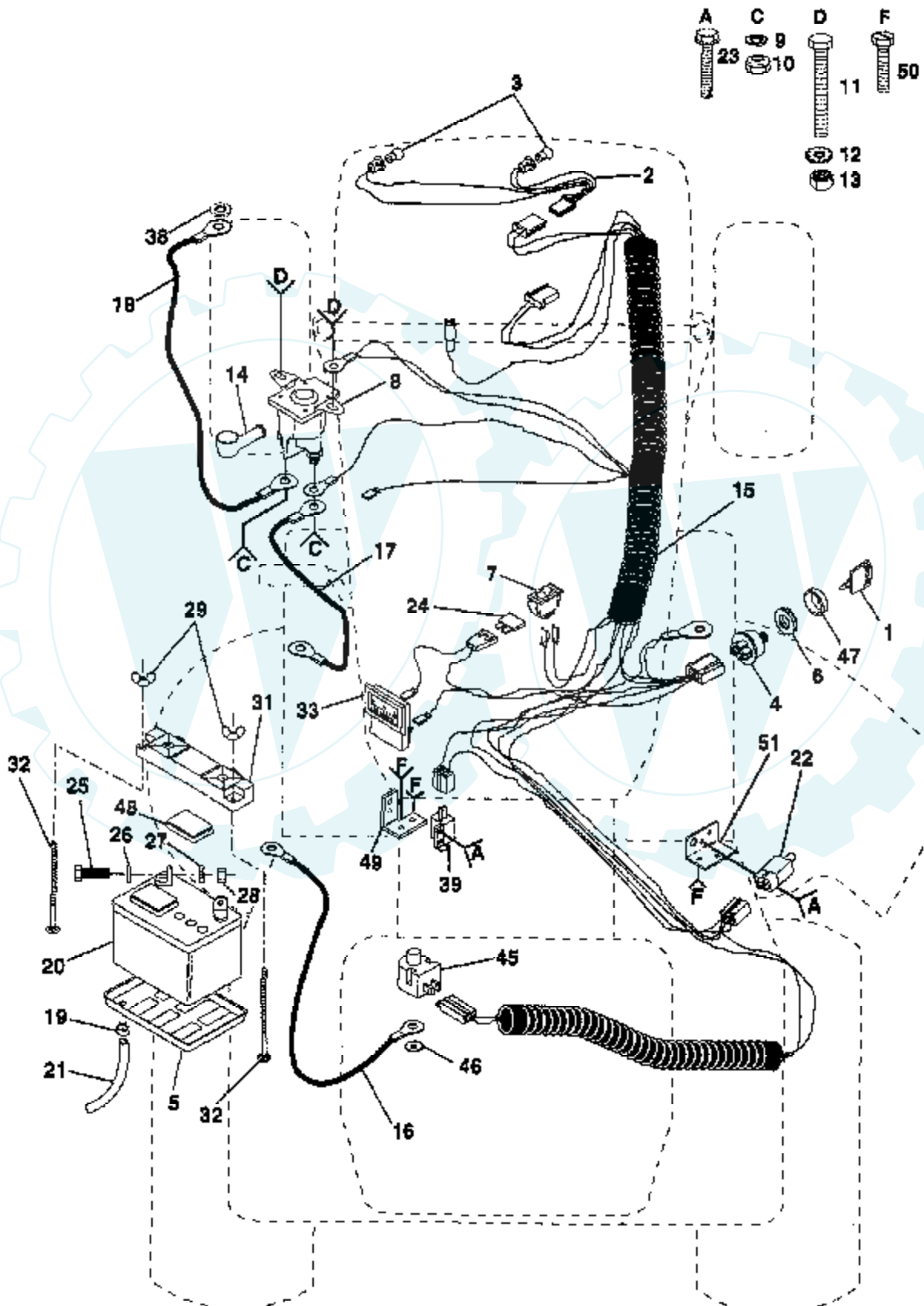
Ref #	Part Number	Qty	Description
1	123666X		PULLEY TRANS
2	12000028		SUB= 2267J
3	2228M		SUB= 2228M1
4	137363		SUB= 137367
12	10040400		LOCKWASHER
17	138255		BELT.V.GDRIVE.95
19	106933X		KNOB T (1/2-HOLE)
20	131679		SHIFT ROD
21	105701X		WASH-SHFT PLT LT
22	19151216		WASHER
23	76020416		PIN COTTER 1/8
24	17490612		SCREW
26	74760616		BOLT
27	19131312		WASHER
28	73680600		SUB= 73690600
29	8883R		PEDAL COVER T
30	122424X		SUB= 149001
31	1572H		SUB= 2882J
32	19211616		WASHER LT
33	73800600		NUT
34	129921		KEEPER.BELT.ENG.L
35	134683		KEEPER BELT ENG
36	136715		SUB= 140312
37	109070X		BELT KEEPER LT
38	4470J		SPACER T
39	123674X		PULLEY.IDLER.FLAT
40	74760644		BOLT
41	134825		SUB= 136004
42	10040700		LOCKWASHER
43	71170764		BOLT
44	127275X		"KEEPER,BELT LH T"
48	71040412		SUB= 74550412
49	19091210		WASHER LT
50	74760512		BOLT
51	73680500		SUB= 73690500
52	74760540		BOLT
53	121520X		STRAP TORQUE
54	130807		TRANSAXLE MTG BKT
56	76020412		COTTER PIN
57	133261		BRAKE PARK ROD
58	130804		BRAKE ROD
59	71673		PLUNGER CAP T
60	106888X		SPRING ROD LT
61	19131316		WASHER
62	121748X		WASHER
63	121749X		WASHER
65	127783		SUB= 139245
66	123789X		ARM IDLER
67	123205X		RETAIN BELT
68	74760624		SUB= 74930624
69	110812X		WASHER LT
70	12000039		KLIP RING
71	105709X		"SPRING, RETURN LT"
72	105710X		"LINK, CLUTCH T"
81	109502X		SPACER LT
83	12000001		E-RING LT
85	123583X		SQUARE KEY
86	127274X		"KEEPER,BELT RH T"

Ref #	Part Number	Qty	Description
89	74760612		SUB= 74780612
90	105706X		"LY, BEARING"
92	130802		SUB= 162240
96	73350600		NUT
98	19132012		WASHER
101	17490512		SCREW
102	2751R		CLIP T
105	110422X		SUB= 146682
106	120183X		NYLON BEARING



18 HP 42" TRACTOR -- MODEL NUMBER 2P4C3A

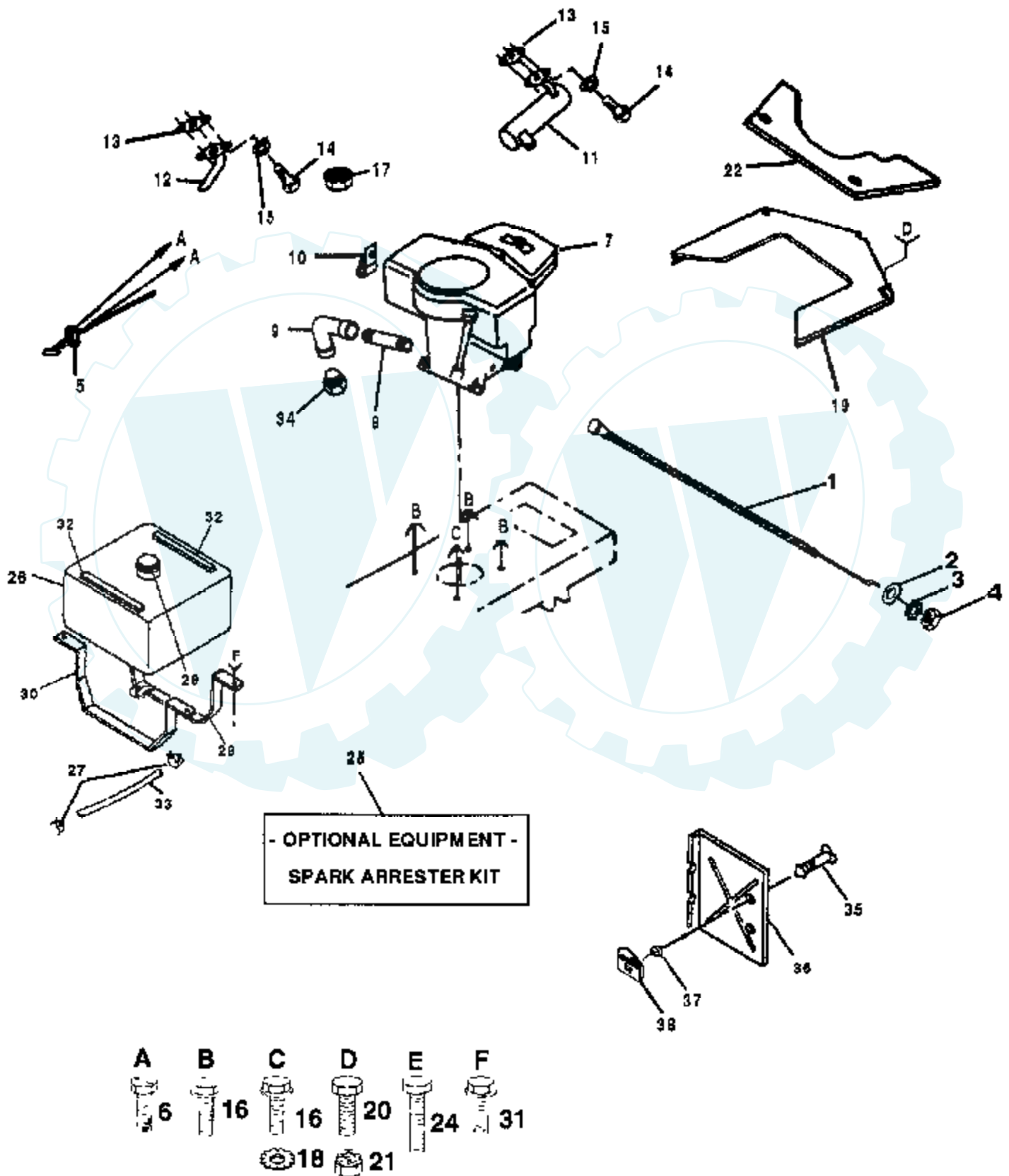
ELECTRICAL



Ref #	Part Number	Qty	Description
1	122147X		KEY
2	136850		"HARNESS,LIGHT SOC"
3	4152J		HEADLAMP BULB
4	4406R		SUB= STD365402
5	7603J		"TRAY T, BATTERY"
6	124211X		NUT IGNITION
7	110712X		SWITCH LT
8	138406		SUB= 146154
9	10090400		SUB= 10040400
10	73350400		NUT
11	74780408		BOLT
12	11050400		LOCKWASHER
13	73510400		NUT
14	131563		SUB= 154336
15	137798		HARNESS.IGN
16	4799J		"CABLE T, BATTERY"
17	109670X		CABLE LT
18	4207J		CABLE T
19	109596X		HOSE CLAMP T
20	121537X		SUB= 123899X
21	7697J		"DRAIN TU T, BATT"
22	104445X		SWITCH-INTER. GT
23	17021008		SCREW
24	108824X		FUSE HYT
25	74760412		BOLT LT
26	19091016		WASHER
27	10040400		LOCKWASHER
28	73220400		SUB= 50675
29	123198X		SUB= 146525
31	120476X		SUB= 134798
32	72240460		BOLT
33	121433X		SUB= 122822X
38	11150400		LOCKWASHER
39	109553X		SWITCH INTERLOCKT
45	121305X		SWITCH SEAT
46	11050600		LOCKWASHER
47	123620X		SUB= 141226
48	121264X		"CAP,BATTERY "
49	130890		SWITCH BRACKET
50	17021008		SCREW
51	108236X		BRACKET LT

18 HP 42" TRACTOR -- MODEL NUMBER 2P4C3A

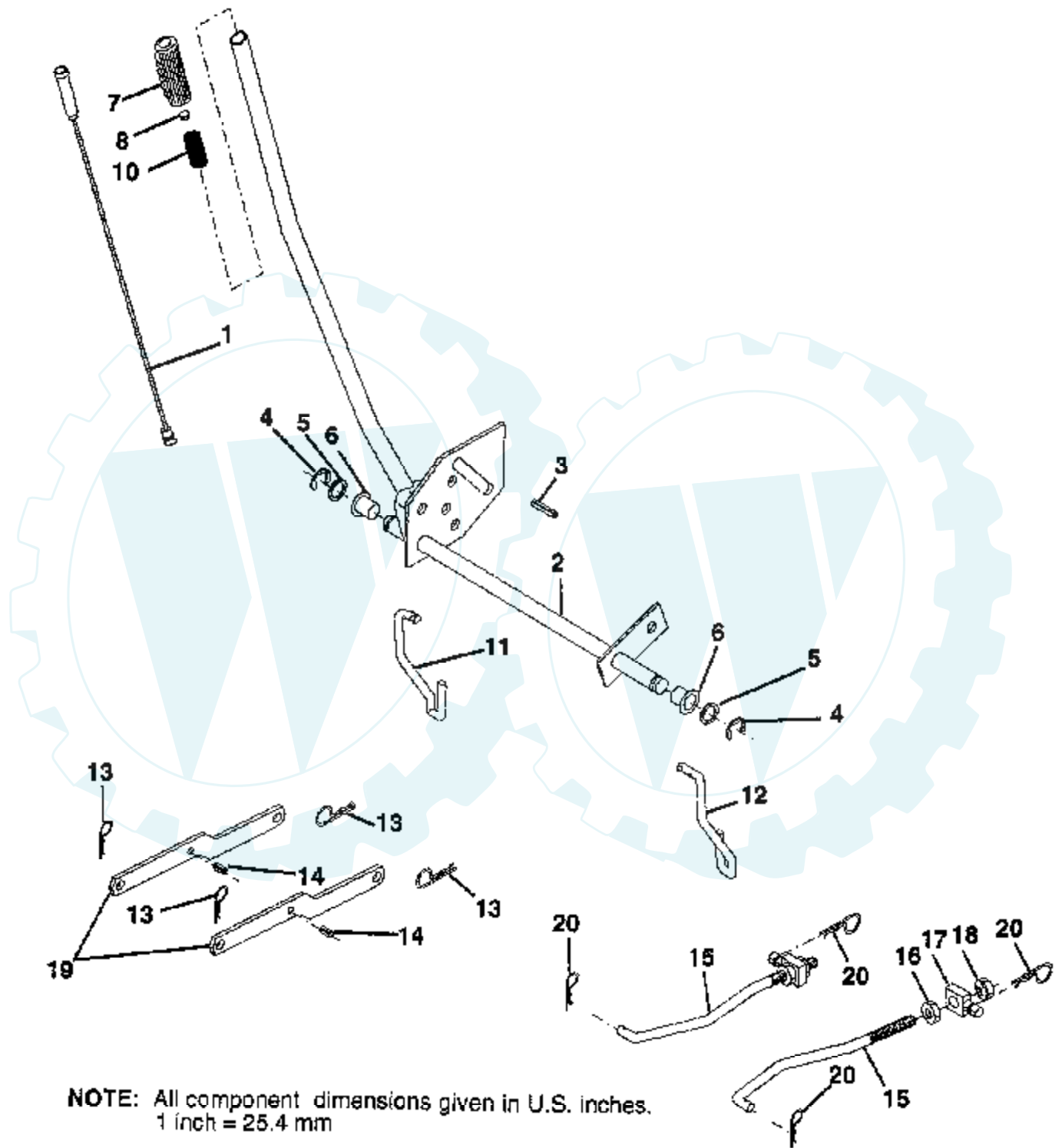
ENGINE



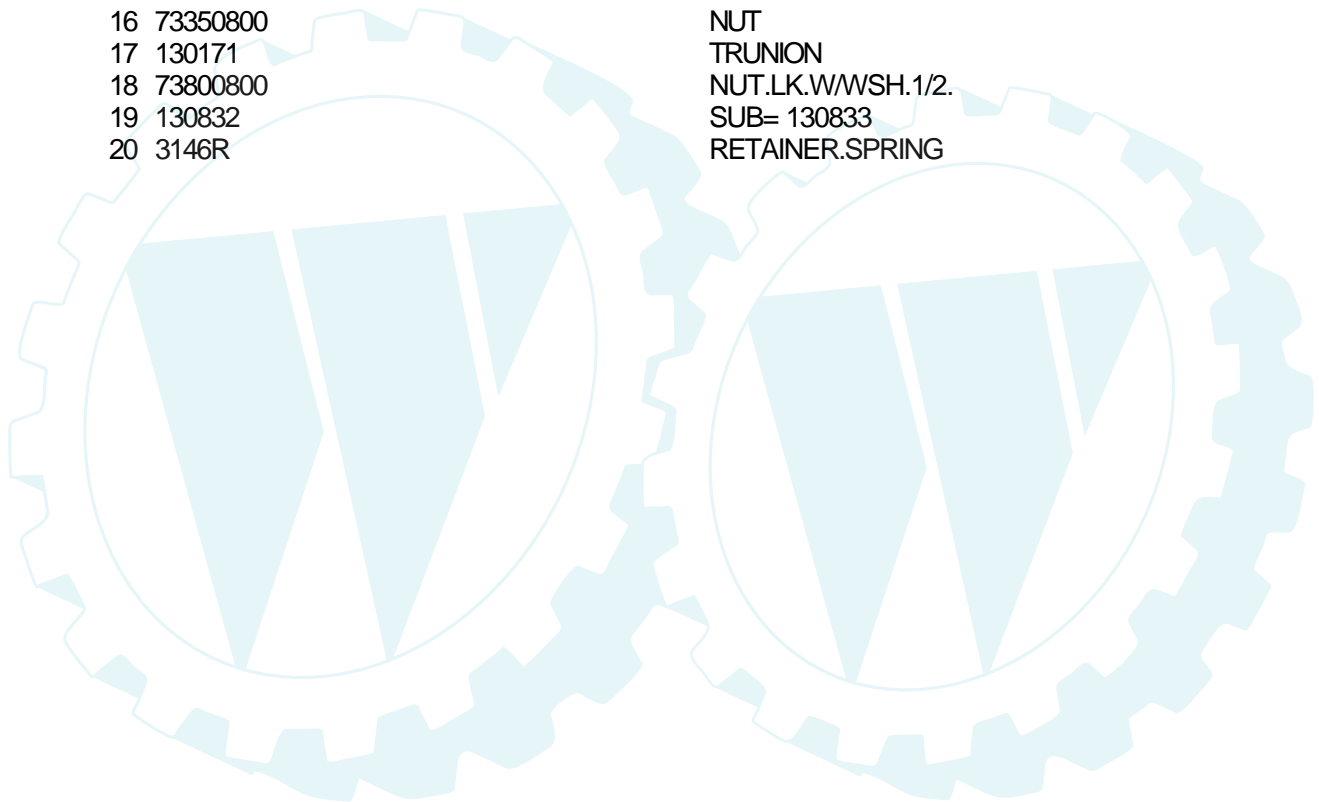
Ref #	Part Number	Qty	Description
1	132779		CHOKE CONTROL
2	19131316		WASHER
3	11050600		LOCKWASHER
4	73610600		SUB= 7810H
5	132773		SUB= 133439
6	17720410		SCREW LT
7	1422707		ENGINE
8	13280336		PIPE NIPPLE LT
9	13200300		ELBOW
10	2751R		CLIP T
11	108373X		MUFFLER HYT
12	100229L		EXHAUST TUBE T
13	8545J		SUB= 272250
14	74780412		SUB= 74780414
15	10040400		LOCKWASHER
16	17490624		SCREW LT
17	73510600		NUT
18	11050600		LOCKWASHER
19	123190X		SHIELD HEAT FRT
20	74760612		SUB= 74780612
21	73680600		SUB= 73690600
22	109740X		REAR BAFFLE T
25	132922		SPARK ARREST KIT
26	127813		SUB= 141291
27	123487X		HOSE CLAMP
28	136360		STRAP ASM. F.TANK
29	123549X		SUB= 158990
30	123803X		"STRAP,TANK"
31	17490608		SCREW LT
32	126564X		"STRIP,FORM"
33	8543R		FUEL LINE T
34			CHECK WITH SUPPLIER
35	123650X		STUD.1/4.TURN
36	133746		HEAT SHIELD
37	105838X		RETAINER LT
38	105839X		RECEPTACLE LT

18 HP 42" TRACTOR -- MODEL NUMBER 2P4C3A

MOWER LIFT

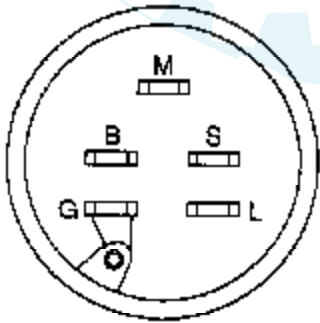
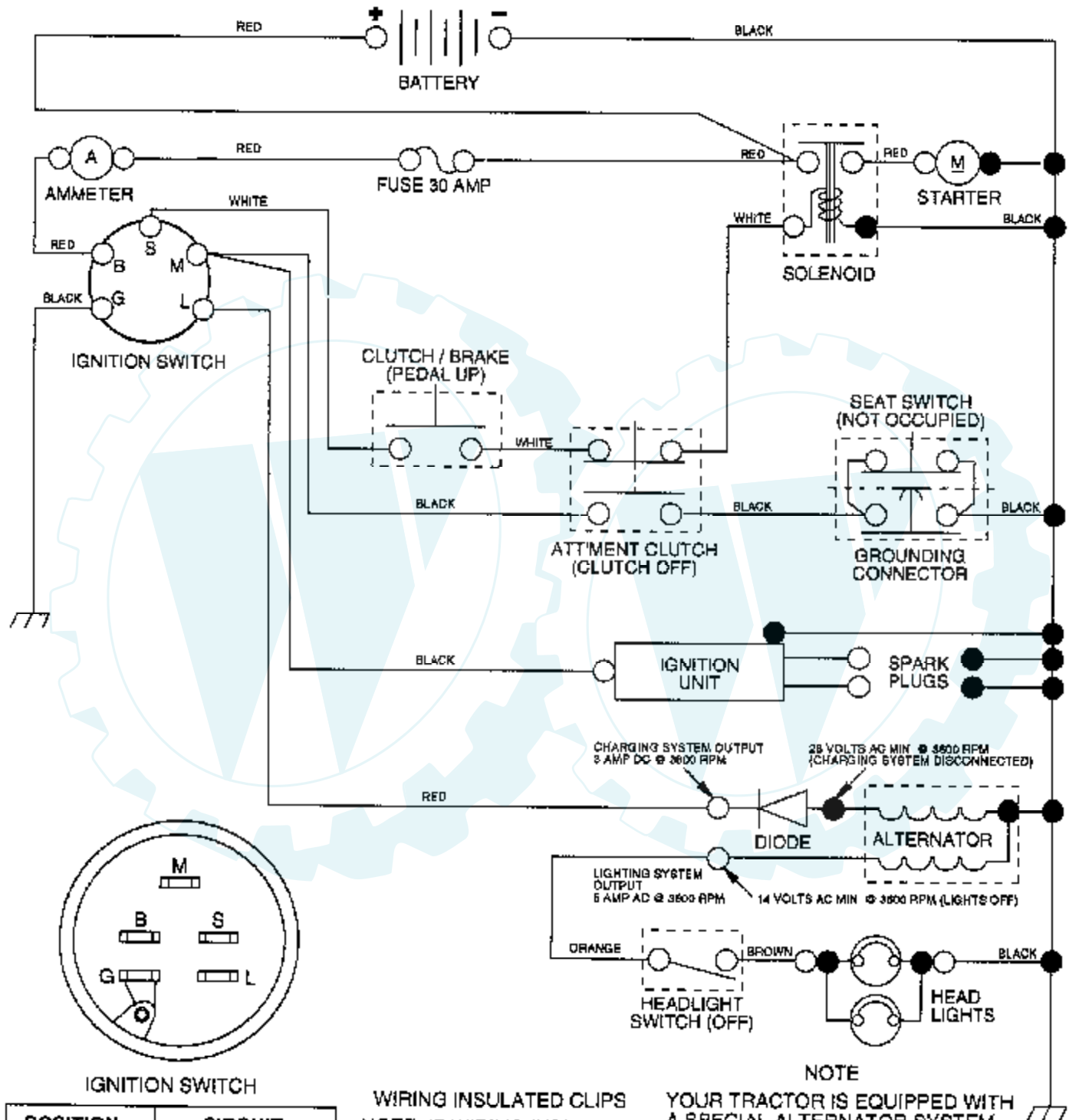


Ref #	Part Number	Qty	Description
1	136973		WIRE ASM
2	137111		SHAFT.ASM.LIFT LH
3	138284		PIN GROOVE
4	12000002		SUB= 2225J
5	19211416		WASHER
6	120183X		NYLON BEARING
7	109413X		GRIP
8	124526X		SUB= 125925X
10	122512X		SUB= 532122512
11	134619		LINK LIFT LH
12	135388		LIFT LINK RH
13	4939M		SUB= 85902
14	135563		"PIN,SPRING"
15	127218		LINK.FRONT
16	73350800		NUT
17	130171		TRUNION
18	73800800		NUT.LK.W/WSH.1/2.
19	130832		SUB= 130833
20	3146R		RETAINER.SPRING



18 HP 42" TRACTOR - - MODEL NUMBER 2P4C3A

SCHEMATIC



IGNITION SWITCH

POSITION	CIRCUIT
OFF	M + G
ON	B + L
START	B + S

WIRING INSULATED CLIPS
NOTE IF WIRING INSULATED CLIPS WERE REMOVED FOR SERVICING OF UNIT, THEY SHOULD BE REPLACED TO PROPERLY SECURE YOUR WIRING

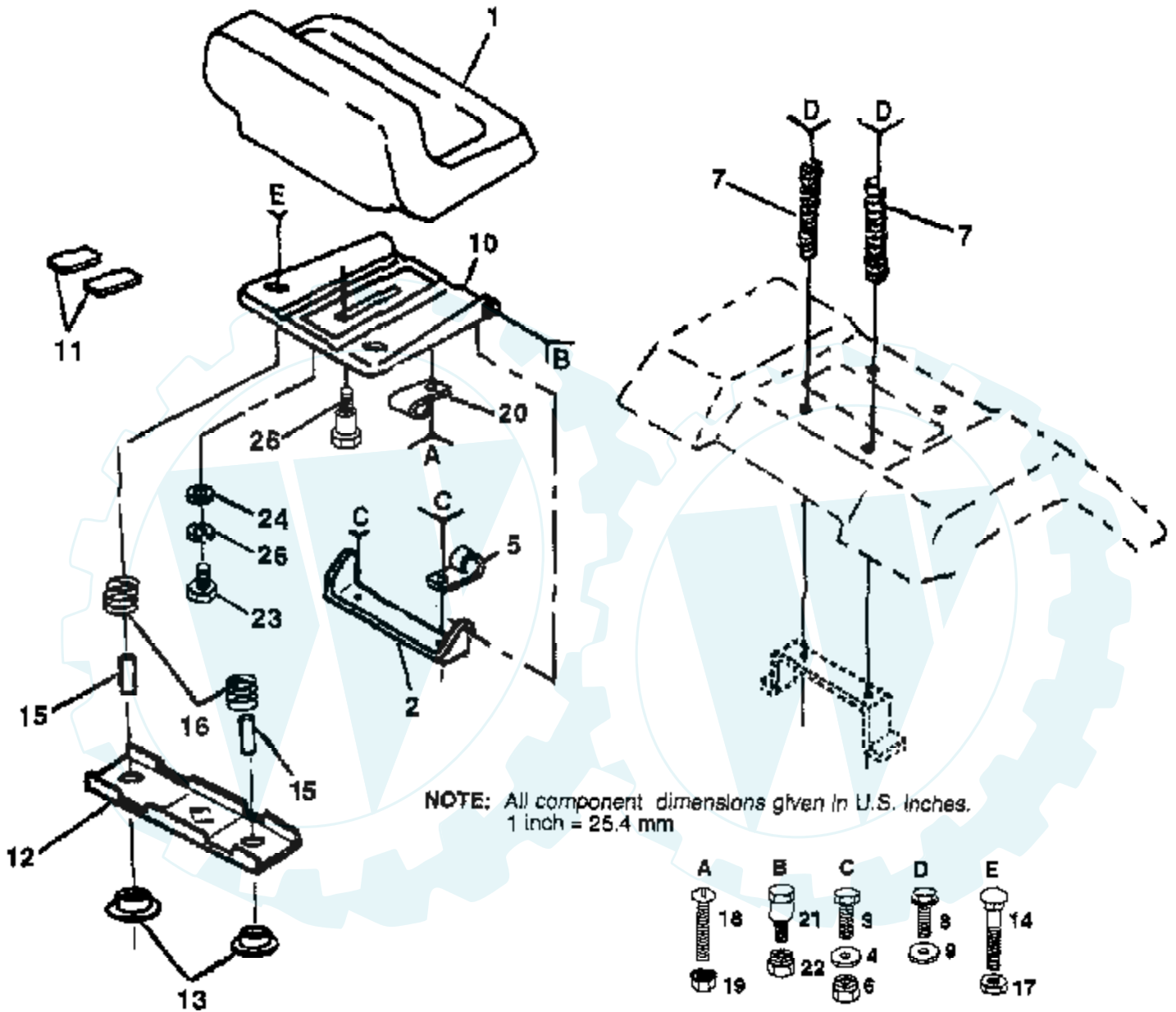
NOTE
YOUR TRACTOR IS EQUIPPED WITH A SPECIAL ALTERNATOR SYSTEM THE LIGHTS ARE NOT CONNECTED TO THE BATTERY, BUT HAVE THEIR OWN ELECTRICAL SOURCE BECAUSE OF THIS, THE BRIGHTNESS OF THE LIGHTS WILL CHANGE WITH ENGINE SPEED AT IDLE THE LIGHTS WILL DIM AS THE ENGINE IS SPEEDED UP, THE LIGHTS WILL BECOME THEIR BRIGHTEST

● NON-REMOVABLE CONNECTIONS

○ REMOVABLE CONNECTIONS

18 HP 42" TRACTOR -- MODEL NUMBER 2P4C3A

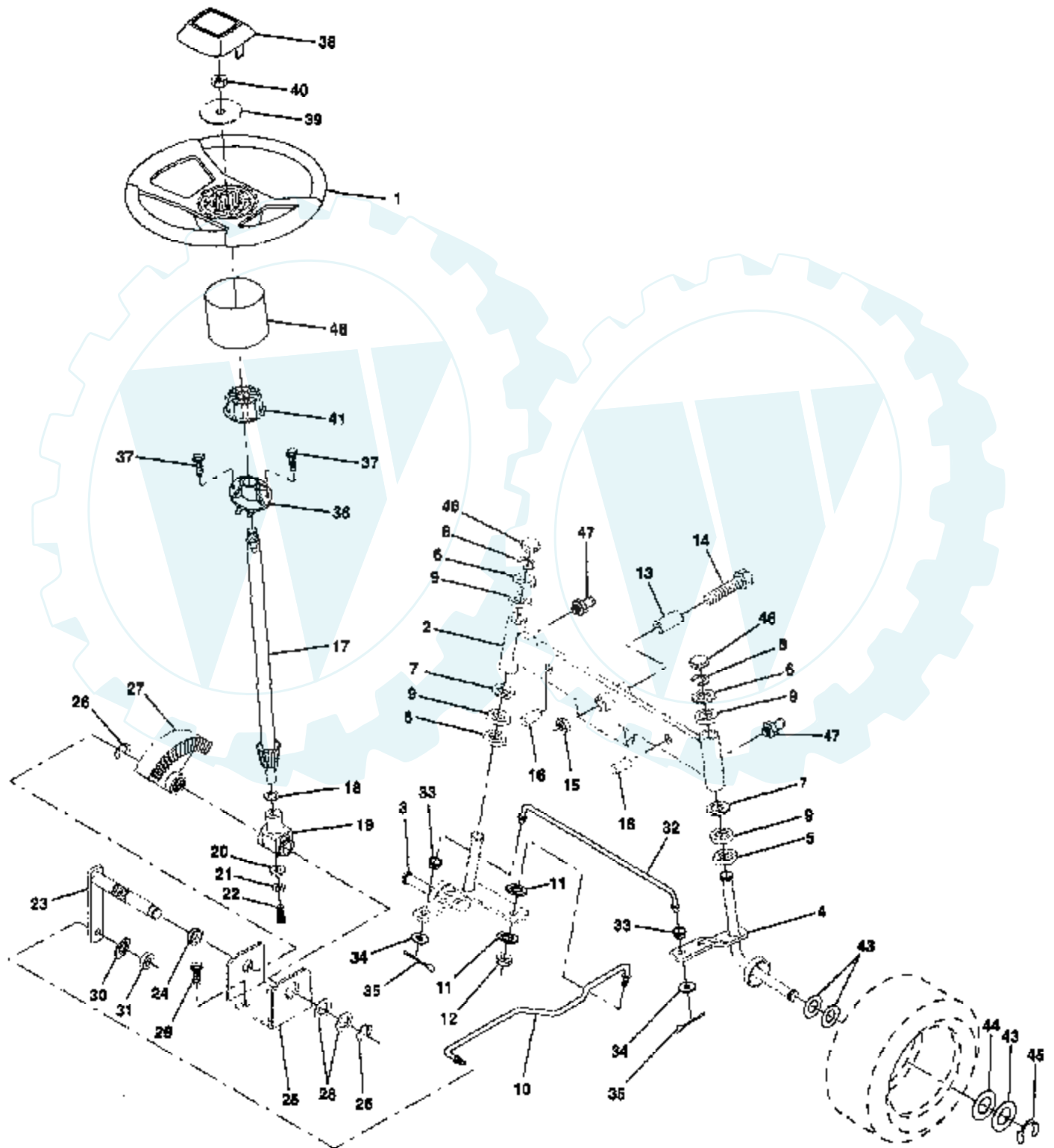
SEAT



Ref #	Part Number	Qty	Description
1	127429		SUB= 140121
2	126656X		SUB= 140551
3	74760612		SUB= 74780612
4	19131610		WASHER PM
5	2751R		CLIP T
6	73680600		SUB= 73690600
7	124181X		SPRING COMPRESSIO
8	17490616		SCREW GTV
9	19131614		WASHER
10	131451		SUB= 155925
11	121251X		STRIP FORM
12	121246X		BRKT SWITCH
13	121248X		BUSHING
14	72050411		SUB= 872050411
15	121249X		SPACER SPLIT
16	123740X		SPRING COMPRESSED
17	123976X		SUB= 73900400
18	74641008		SUB= 71031008
19	73951000		"NUT,KEPS"
20	4171R		CLIP T
21	105529X		SUB= 139888
22	73680500		SUB= 73690500
23	74780814		BOLT
24	19171912		WASHER
25	127018X		"BOLT,SHOULDER"
26	10040800		LOCKWASHER

18 HP 42" TRACTOR -- MODEL NUMBER 2P4C3A

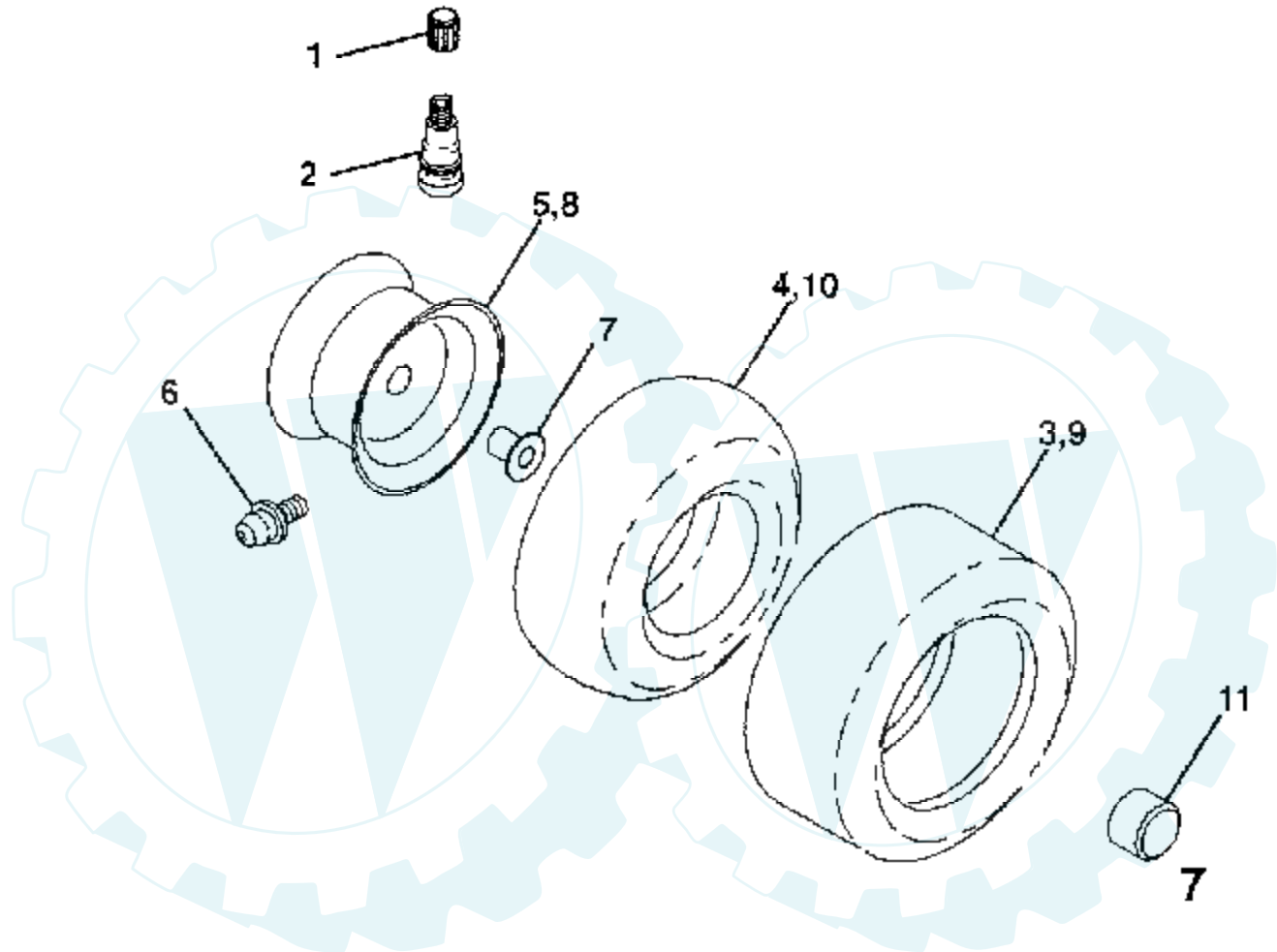
STEERING ASSEMBLY



Ref #	Part Number	Qty	Description
1	133741		SUB= 150547
2	133988		SUB= 142033
3	135227		SPINDLE LH
4	135228		SPINDLE RH
5	6266H		WASHER .T
6	121748X		WASHER
7	19272016		WASHER
8	12000029		RING
9	3366R		COL. SRTG. BEAR.
10	130468		SUB= 532130468
11	10040600		LOCKWASHER
12	73610600		SUB= 7810H
13	110438X		BEARING
14	74011056		BOLT HEX 5/8-11
15	73901000		"NUT-LOC,FLANGE LT"
16	132624		AXLE PIN
17	128755		SHAFT&GEAR STR T
18	57079		THRUST WASHER
19	124035X		SUPPORT.SHAFT
20	126684X		SUB= 532126684
21	10040400		LOCKWASHER
22	71070410		"SCREW,SPECIAL"
23	127501		SUB= 918127501
24	109816X		NYLINER T
25	124036X		"BRKT,STEERING"
26	12000029		RING
27	136874		GEAR SECTOR
28	6266H		WASHER .T
29	17490612		SCREW
30	10040600		LOCKWASHER
31	73610600		SUB= 7810H
32	130465		TIE ROD
33	126847X		BUSHING.DRAGLINK
34	19131416		WASHER
35	76020412		COTTER PIN
36	1554J		SUB= 155108
37	17431008		SUB= 98000165
38	133742		ST WHL INSERT CAP
39	100712K		WASHER
40	73940800		SUB= 73360800
41	100711L		ADAPTER LT
43	121749X		WASHER
44	121748X		WASHER
45	12000029		RING
46	121232X		CAP
47	6855M		ZERK M
48	100714L		SLEEVE LTV

18 HP 42" TRACTOR - - MODEL NUMBER 2P4C3A

WHEELS & TIRES



NOTE: All component dimensions given in U S inches
1 inch - 25.4 mm

Ref #	Part Number	Qty	Description
1	59192		VALVE CAP
2	65139		VALVE STEM LT
3	59904		TUBE.5.3/4.5/6
5	106732X311		SUB= 106732X427
6	278H		FITTING LT
7	9040H		"FLANGE, BEARING"
8	106108X311		SUB= 106108X427
9	106268X		SUB= 122074X
10	7152J		TUBE.18X9.5-8
11	104757X		HUB CAP

