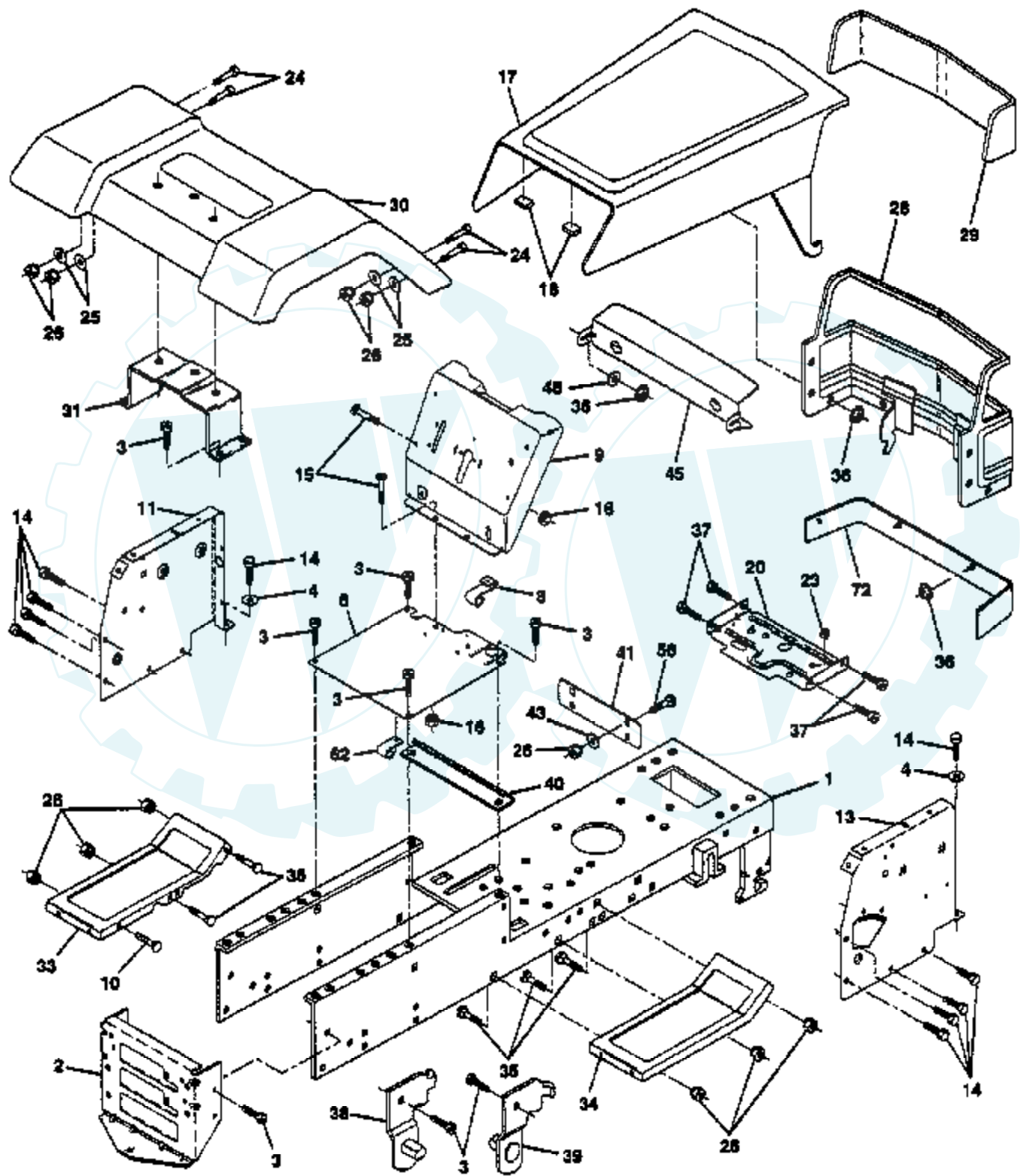


TRACTOR -- MODEL NUMBER 2P4B9B

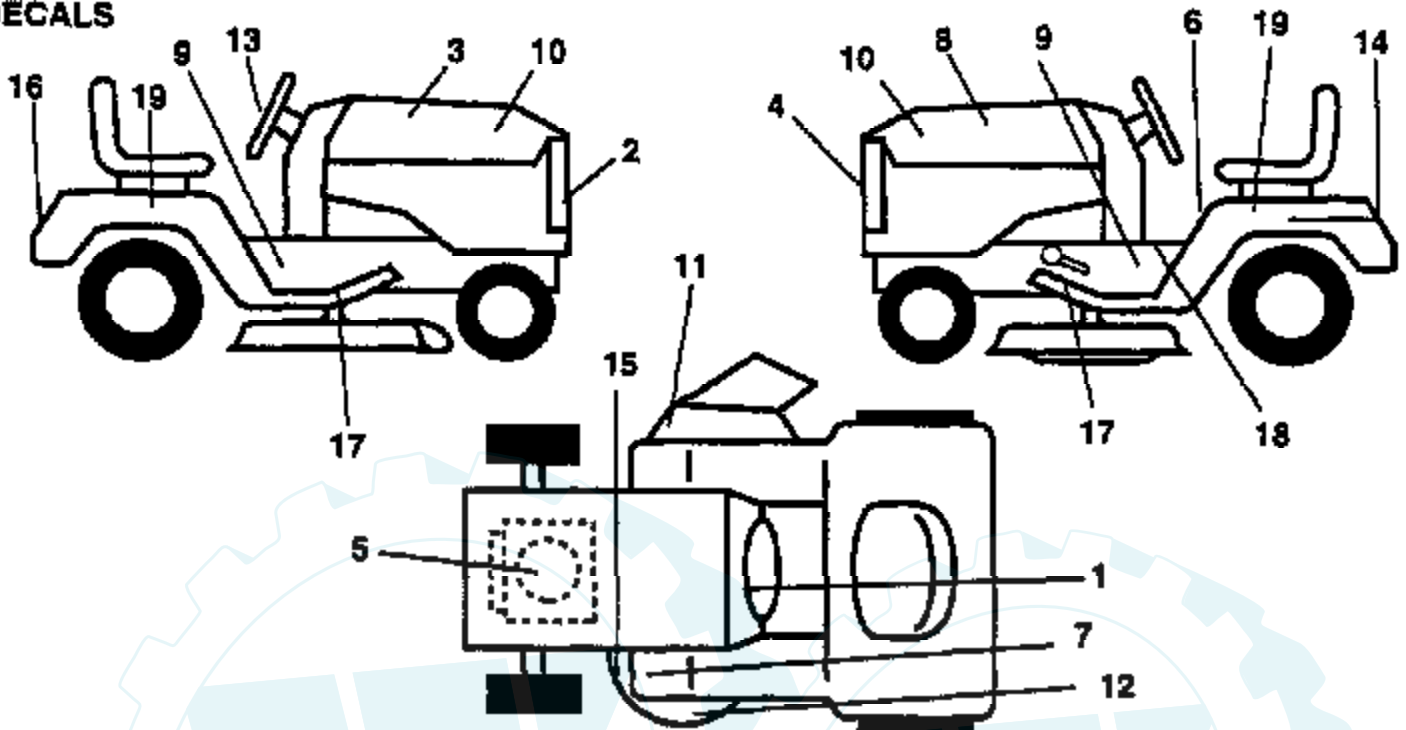
CHASSIS AND ENCLOSURES



Ref #	Part Number	Qty	Description
1	145501		CHASSIS.WLD.11GA
2	140356		SUB= 145009
3	17490612		SCREW
4	19131216		WASHER
6	145206		SUB= 145206X431
8	126471X		"CLIP,INSULATOR"
9	140637X012		DASH.1-PC
10	72140608		SUB= 72110608
11	135464		DASH PANEL LH
13	124031X012		SUB= 155934X010
14	17490608		SCREW LT
15	74180512		SCREW
16	73510500		NUT
17	146887X505		SUB= 146460X505
18	126938X		SUB= 532126938
20	140281		SUB= 140281X431
23	124028X		SUB= 532124028
24	74780616		BOLT
25	19131312		WASHER
26	73800600		NUT
28	133951X505		GRILLE.WLD.RLY.LT
29	133805		SUB= 133954
30	140001X505		FENDER PNT LT
31	139976		BRACKET SUPT FEND
33	145244X505		FOOTREST.LH.LT/GT
34	145243X505		FOOTREST.RH.LT/GT
35	72110606		BOLT
36	108067X		PAL NUT LT
37	17490512		SCREW
38	139886		BRACKET ASM LH
39	139887		BRACKET ASM RH
40	139977		SPACER FENDER LT
41	139978		PLATE EXTEN FEND
43	19171416		WASHER
45	132257		SUB= 918132257
46	127316X		RETAINER
56	72140606		BOLT
60	11050500		LOCKWASHER.5/16.E
61	73680500		SUB= 73690500
62	141606		CLIP.WIRE
72	109745X505		STRAP ASM GRILL

TRACTOR - - MODEL NUMBER 2P4B9B

DECALS

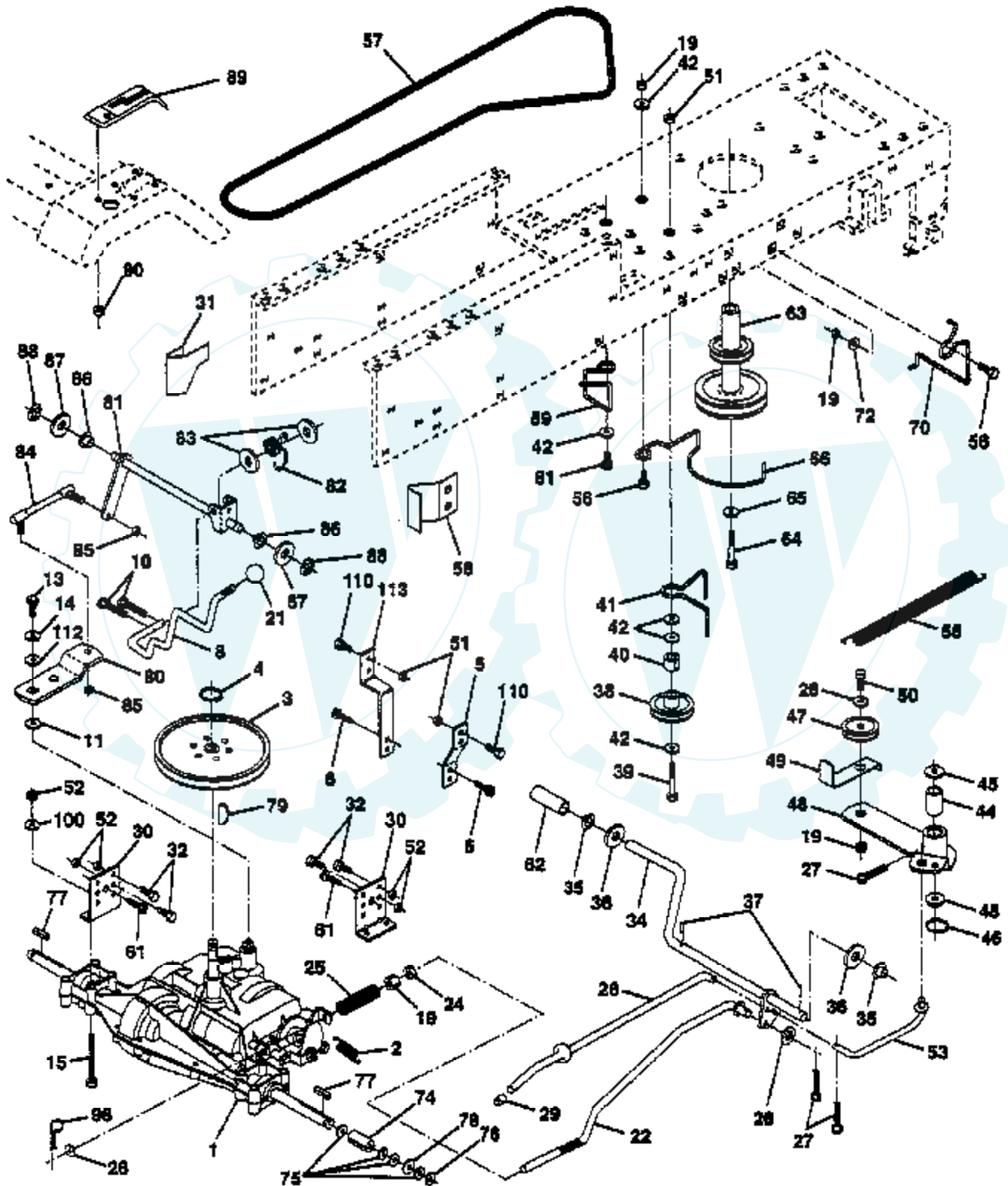


NOTE: All component dimensions given in U.S. inches - 1
inch = 25.4 mm.

Ref #	Part Number	Qty	Description
1	138956		DECAL.DASH.INSTR.
2	132627		GRILL DECAL
3	141745		DECAL HOOD RH RLY
4	129823		NLA
5	272757		DECAL B&S 18 HP OPLLN/IC
6	133795		DECAL CAUTION
7	101892X		DECAL T
8	141846		DECAL DANGER E/S
9	131425		CHASSIS DECAL
10	137661		DECAL.HOOD.INSERT
11	137259		"DECAL, WARNING"
12	135013		NLA
13	127075		"DECAL,STR WHL"
14	145005		DECAL.BATRY.3-3908
15	136832		DECAL
16	132628		FENDER DECAL
17	131864		"PAD,FOOTREST"
18	140837		DECAL BRAK PARK
19	138804		DECAL.FEND.QUICKS
	138311		DECAL HANDLE LIFT
	146156		MANUAL.P.2P4B9B
	145278		MANUAL.OP.GENERIC
	LBD48		SNOW BLADE
	C42		GRASS CATCHER
	LC05		WHEEL WTS.
	LC06		TIRE CHAINS
	LSB42		SNOW THROWER
	MK42		MULCH KIT W/BLADES

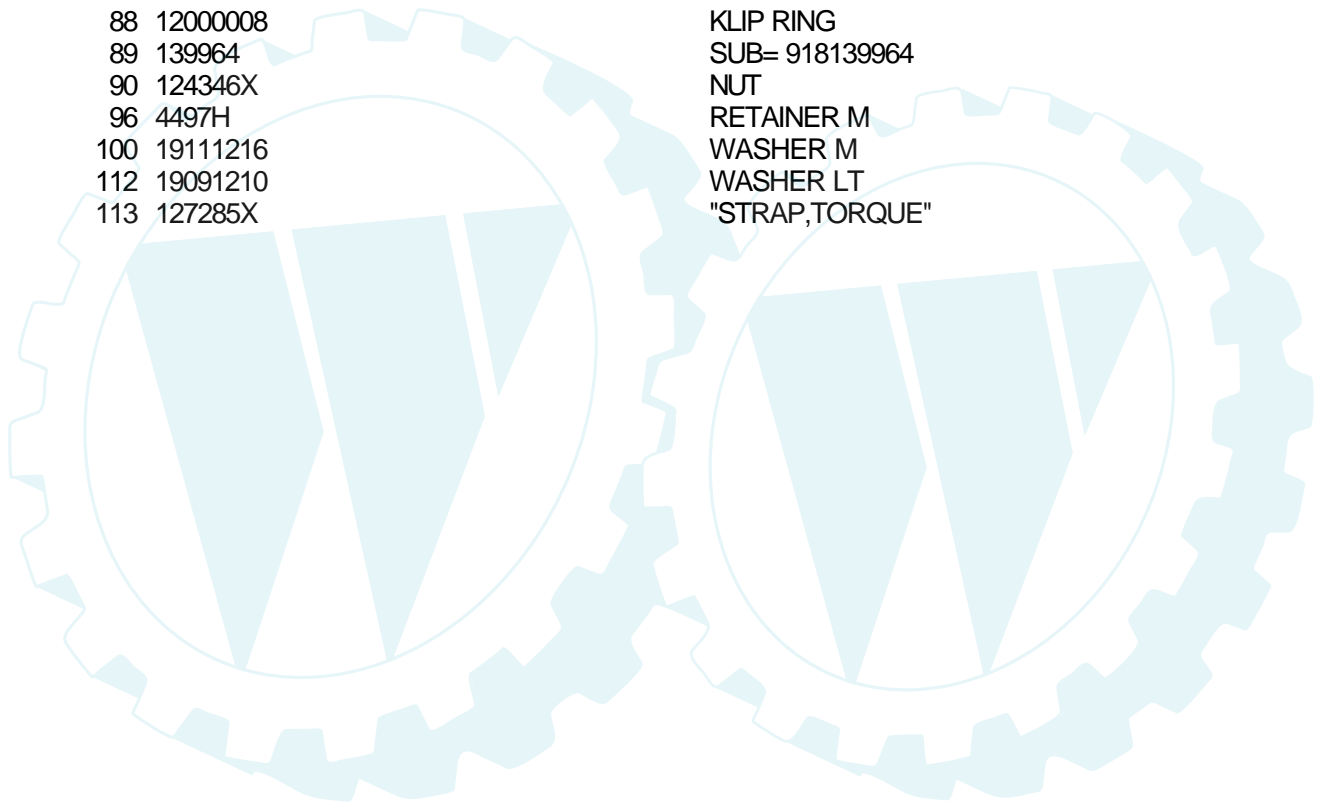
TRACTOR -- MODEL NUMBER 2P4B9B

DRIVE



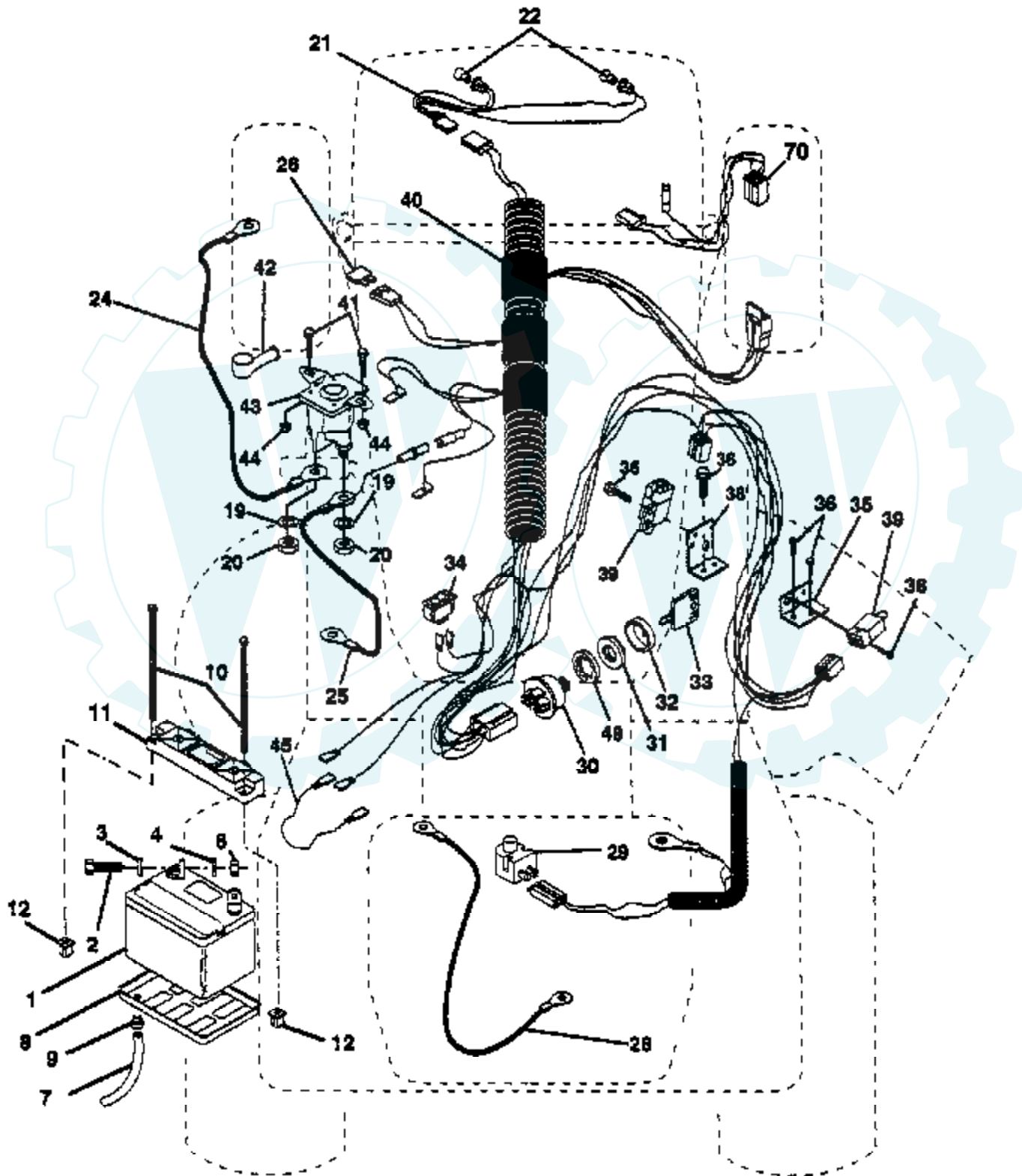
Ref #	Part Number	Qty	Description
1	145600		TRANSAXLE
2	146682		SPRING.BRAKE.RETU
3	123666X		PULLEY TRANS
4	12000028		SUB= 2267J
5	121520X		STRAP TORQUE
6	17490512		SCREW
8	141003		ROD SHIFT FEND LT
10	76020416		PIN COTTER 1/8
11	105701X		WASH-SHFT PLT LT
12	19151216		WASHER
13	74550412		BOLT.1/4-28.W/PAT
14	10040400		LOCKWASHER
15	74780544		BOLT HEX
18	74760612		SUB= 74780612
19	73800600		NUT
21	106933X		KNOB T (1/2-HOLE)
22	130804		BRAKE ROD
24	73350600		NUT
25	106888X		SPRING ROD LT
26	19131316		WASHER
27	76020412		COTTER PIN
28	145204		ROD.BRAKE.PARK.LT
29	71673		PLUNGER CAP T
30	130807		TRANSAXLE MTG BKT
31	127275X		"KEEPER,BELT LH T"
32	74760512		BOLT
34	122424X		SUB= 149001
35	120183X		NYLON BEARING
36	19211616		WASHER LT
37	1572H		SUB= 2882J
38	123674X		PULLEY.IDLER.FLAT
39	74760644		BOLT
40	4470J		SPACER T
41	109070X		BELT KEEPER LT
42	19131312		WASHER
44	105706X		"LY, BEARING"
45	110812X		WASHER LT
46	12000039		KLIP RING
47	127783		SUB= 139245
48	123789X		ARM IDLER
49	123205X		RETAIN BELT
50	74760624		SUB= 74930624
51	73680600		SUB= 73690600
52	73680500		SUB= 73690500
53	105710X		"LINK, CLUTCH T"
55	105709X		"SPRING, RETURN LT"
56	74760620		SUB= 74780620
57	130801		SUB= 138255
58	127274X		"KEEPER,BELT RH T"
59	140312		KEEPER BELT CNTSP
61	17490612		SCREW
62	8883R		PEDAL COVER T
63	140186		PULLEY.ENGINE
64	71170764		BOLT
65	10040700		LOCKWASHER
66	129921		KEEPER.BELT.ENG.L
70	134683		KEEPER BELT ENG
72	19132012		WASHER

Ref #	Part Number	Qty	Description
74	137057		SPACER AXLE
75	121749X		WASHER
76	12000001		E-RING LT
77	123583X		SQUARE KEY
78	121748X		WASHER
79	2228M		SUB= 2228M1
80	145090		"ARM.SHIFT.20""TIRE"
81	145092		SUB= 156049
82	123782X		"SPRING,TORSION"
83	19171216		WASHER
84	145643		"ROD.TIE.20""P930LT"
85	73530400		NUT 1/4-28
86	71208		BUSHING
87	19112016		WASHER
88	12000008		KLIP RING
89	139964		SUB= 918139964
90	124346X		NUT
96	4497H		RETAINER M
100	19111216		WASHER M
112	19091210		WASHER LT
113	127285X		"STRAP,TORQUE"



TRACTOR -- MODEL NUMBER 2P4B9B

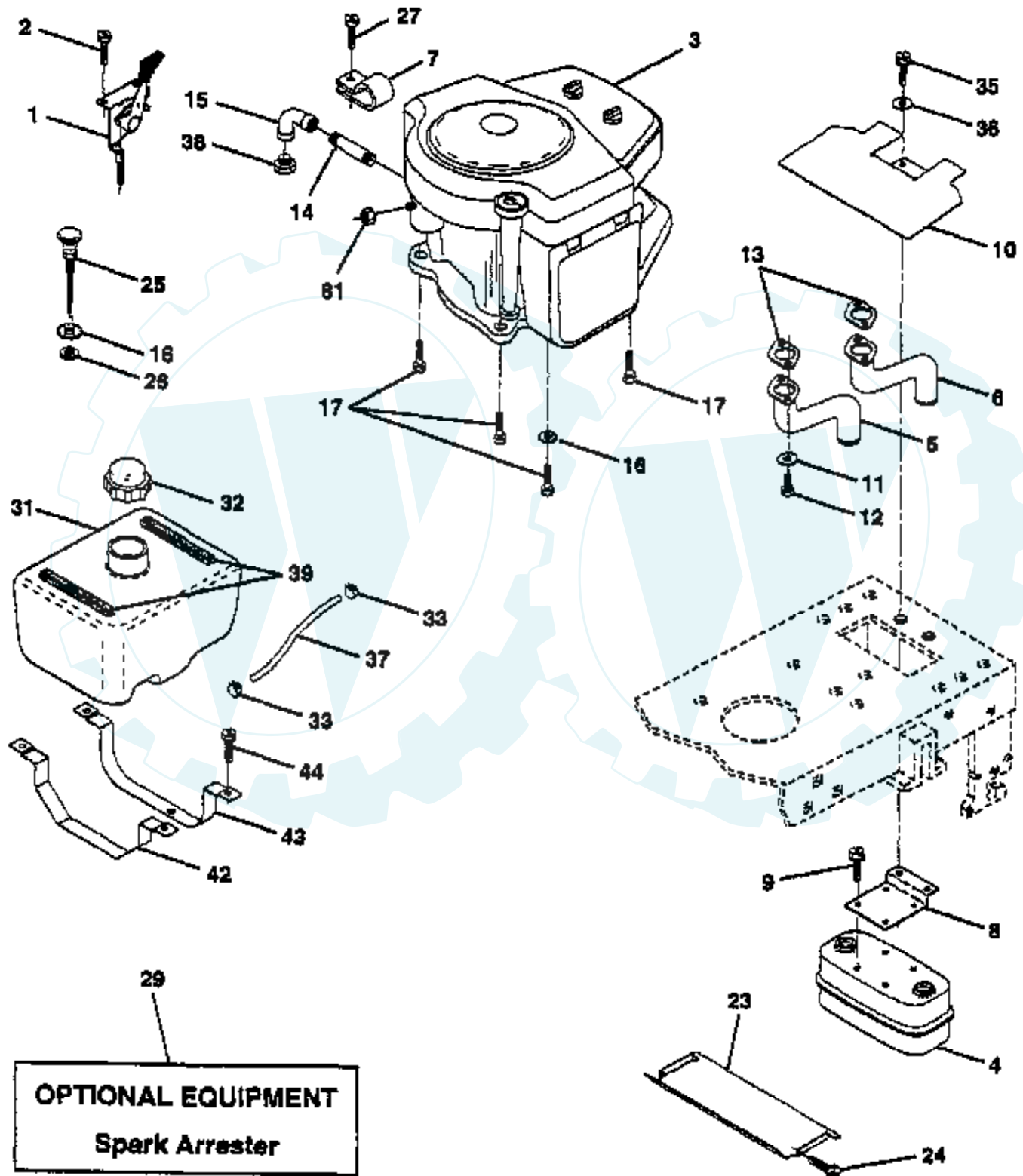
ELECTRICAL



Ref #	Part Number	Qty	Description
1	144925		SUB= 123899X
2	74760412		BOLT LT
3	19091016		WASHER
4	10040400		LOCKWASHER
6	73220400		SUB= 50675
7	7697J		"DRAIN TU T, BATT"
8	7603J		"TRAY T, BATTERY"
9	109596X		HOSE CLAMP T
10	145211		SUB= 150177
11	145209		SUB= 150109
12	145769		SUB= 150177
19	10090400		SUB= 10040400
20	73350400		NUT
21	136850		"HARNES, LIGHT SOC"
22	4152J		HEADLAMP BULB
24	4206J		CABLE-BATTERY T
25	146148		CABLE.6GA.22W/16W
26	108824X		FUSE HYT
28	145491		CABLE.GRND.6GA.21
29	121305X		SWITCH SEAT
30	144921		SUB= 163088
31	140400		SUB= 145774
32	141226		COVER KEY SWITCH
33	140401		KEY MLD GEN DELTA
34	110712X		SWITCH LT
35	108236X		BRACKET LT
36	17021008		SCREW
38	140336		BRACKET SWITCH IN
39	109553X		SWITCH INTERLOCKT
40	146057		HARNES.IGN.DASH.
41	71110412		BOLT.HX.1/4-20
42	131563		SUB= 154336
43	145673		SUB= 146154
44	73800400		NUT
45	140844		ADAPTER AMMETER
49	11151000		LOCKWASHER
55	17490508		SCREW LT
70	140413		HARNES ENG DUAL

TRACTOR - - MODEL NUMBER 2P4B9B

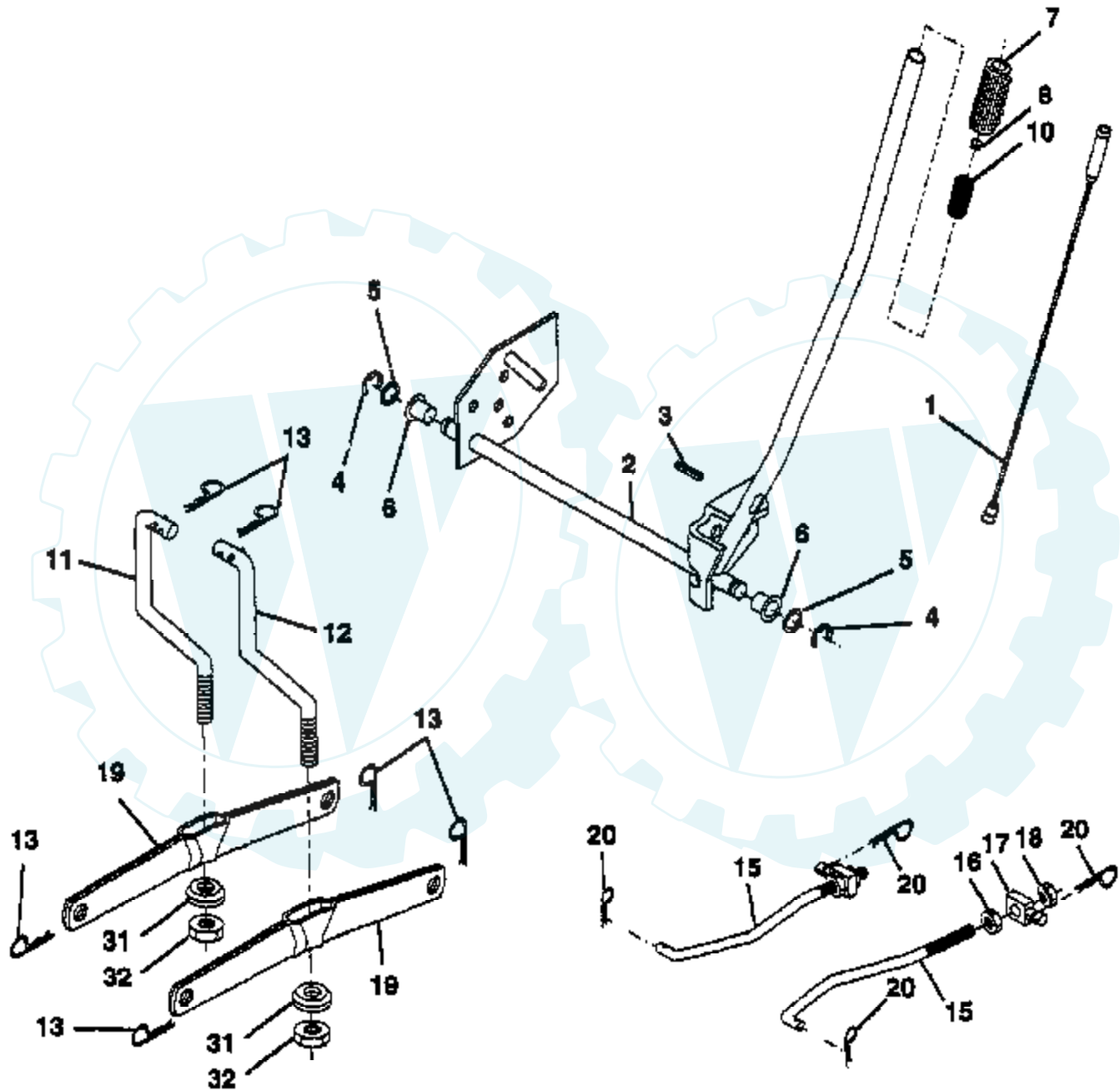
ENGINE



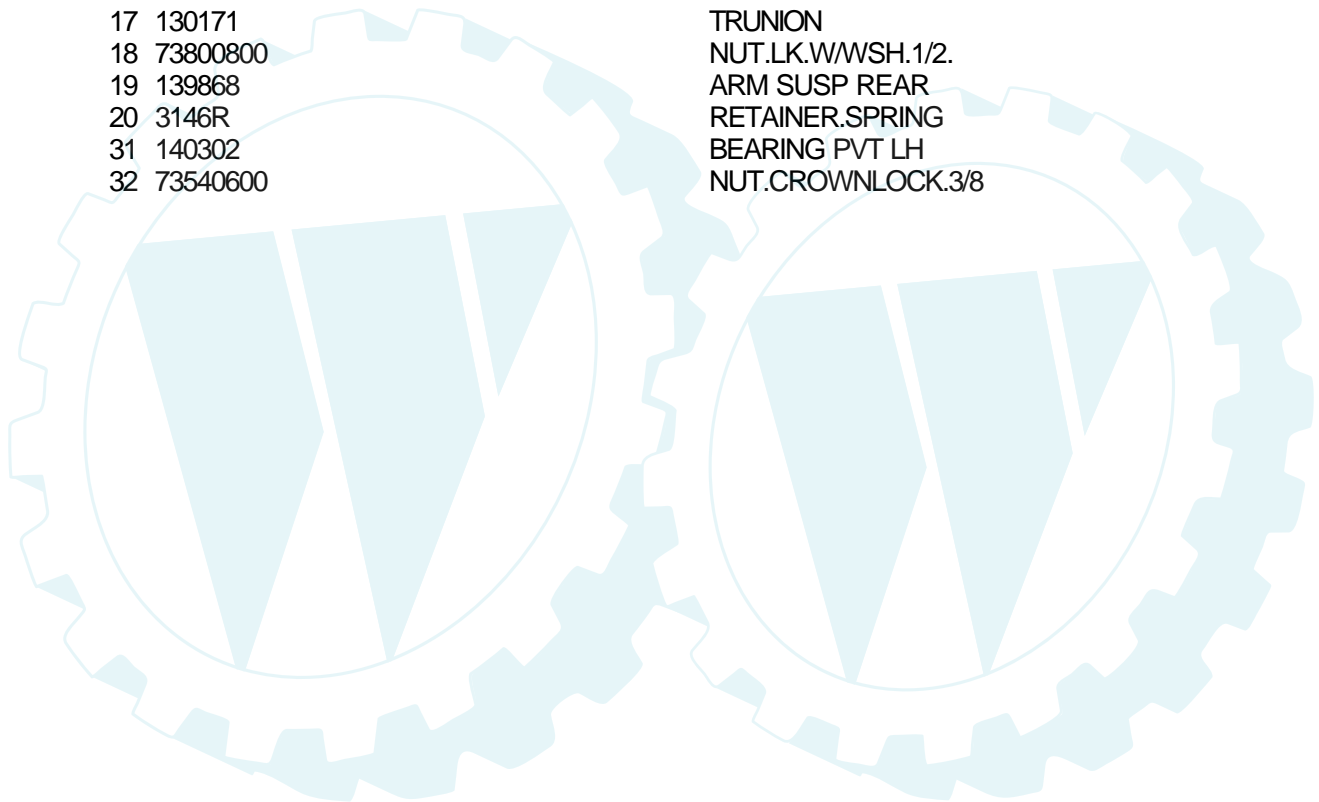
Ref #	Part Number	Qty	Description
1	132773		SUB= 133439
2	17720410		SCREW LT
3	422707		ENGINE B&S 18HP
4	137978		SUB= 149723
5	144069		EXHAUST.B&S.18.LH
6	144068		EXHAUST.B&S.18.RH
7	138129		CLAMP.TUBE.DBL.EN
8	122439X		BRACKET MUFFLER
9	17190408		SCREW ST
10	145552		SHIELD.HEAT.
11	100040400		SUB= 10040400
12	74780412		SUB= 74780414
13	8545J		SUB= 272250
14	13280336		PIPE NIPPLE LT
15	13200300		ELBOW
16	11050600		LOCKWASHER
17	17490624		SCREW LT
23	128953		HEAT SHIELD
24	17021008		SCREW
25	145996		CONTROL.CHOKE.37
26	73610600		SUB= 7810H
27	17541008		SCREW.10-24X1/2
29	137180		SUB= 532137180
31	141291		TANK FUEL 1.9 NAT
32	140527		CAP ASM FUEL
33	123487X		HOSE CLAMP
35	17490512		SCREW
36	19132012		WASHER
37	8543R		FUEL LINE T
38			CHECK WITH SUPPLIER
42	140020		STRAP TANK FUEL
43	140019		STRAP TANK FRONT
44	17490612		SCREW
81	73510400		NUT

TRACTOR - - MODEL NUMBER 2P4B9B

LIFT

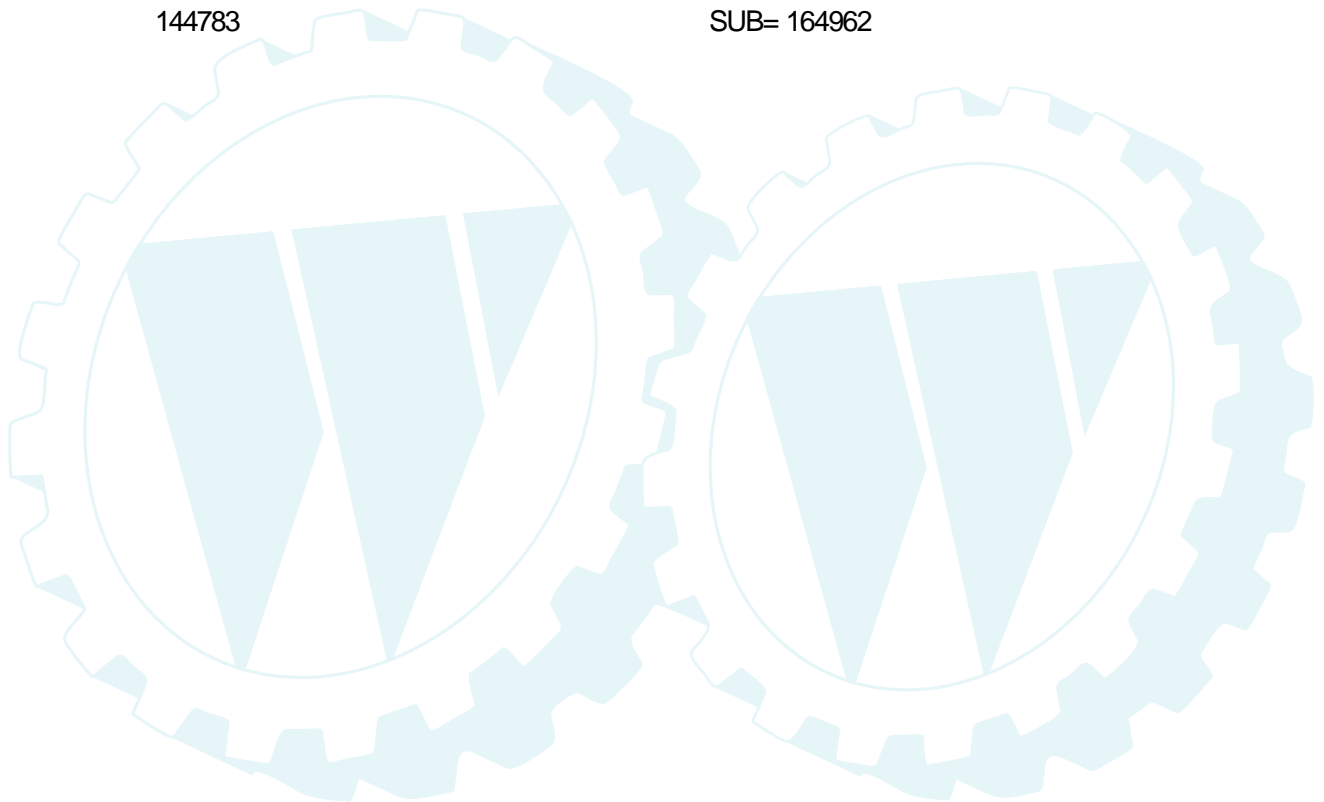


Ref #	Part Number	Qty	Description
1	136973		WIRE ASM
2	122507X		SUB= 145117
3	105767X		PIN-GROOVE LT
4	12000002		SUB= 2225J
5	19211621		WASHER
6	120183X		NYLON BEARING
7	109413X		GRIP
8	124526X		SUB= 125925X
10	122512X		SUB= 532122512
11	139865		SUB= 918139865
12	139866		SUB= 151140
13	4939M		SUB= 85902
15	127218		LINK.FRONT
16	73350800		NUT
17	130171		TRUNION
18	73800800		NUT.LK.W/WSH.1/2.
19	139868		ARM SUSP REAR
20	3146R		RETAINER.SPRING
31	140302		BEARING PVT LH
32	73540600		NUT.CROWNLOCK.3/8



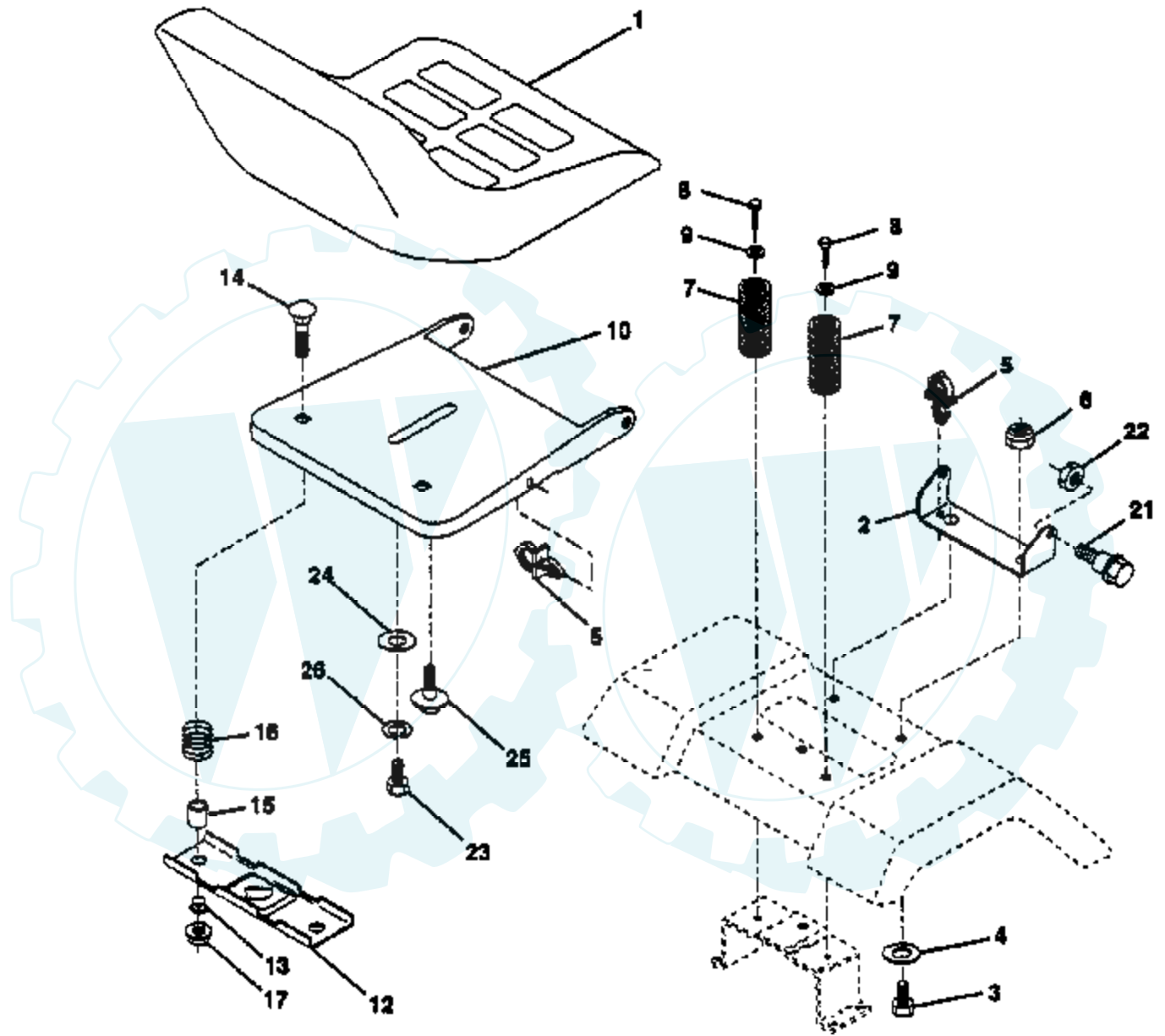
Ref #	Part Number	Qty	Description
1	144983		MOWER DECK, ASM. 42"
2	72140506		BOLT
3	138017		BRKT ASM SWAY BAR
4	138440		BRKT DECK SW BAR
5	4939M		SUB= 85902
6	130832		SUB= 130833
8	850857		BLADE BOLT
9	10030600		SUB= 10040600
10	140296		WASHER.HARD.BLADE
11	138498		"BLADE.42"" HIPERF"
12	129895		BEARING.BALL
13	137645		SUB= 137646
14	128774		HSG ASM MANDREL
15	110485X		BEARING
16	140329		STRIPPER RND MWR
17	72110610		BOLT RDHD 3/8-16
18	72140505		BOLT
19	132827		BOLT SHD 5/16-18
20	136888		SUB= 918136888
21	73680500		SUB= 73690500
22	134753		STIFFENER BRKT
23	131267		DEFLECTOR BRKT
24	105304X		CAP-SLEEVE LT
25	123713X		SPRING TORSION
26	110452X		NUT PUSH M
27	130968		DEFLECTOR.SHIELD
28	19111016		WASHER
29	131491		HINGE ROD
30	138776		SUB= 157722
31	129963		WASHER
32	129861		SUB= 153535
33	137266		SUB= 139729
34	72110614		BOLT
35	133835		XMAS TREE FASTNER
36	131494		FLAT IDLER PULLEY
37	19131316		WASHER
40	73680600		SUB= 73690600
41	133551		PIVOT ROD
43	140083		ROD CLUTCH W/NIBS
44	140088		GUARD MAND LH BLK
45	4497H		RETAINER M
46	137729		SCREW.1/4-20X5/8
48	133944		HARD SMALL WASHER
49	133940		SUB= 151785
50	131340		SHOULDER BOLT
51	69180		LOCKNUT
52	139888		BOLT.SHLD.5/16-18
53	131845		BRAKE PAD ARM ASM
54	133943		HARDENED WASHER
55	140084		SUB= 151785
56	122052X		SPACER RETAINER
58	140086		SPRING TORSN BRAK
59	141043		GUARD IDLER TUV
67	106932X		KNOB T(3/8 HOLE)
68	144200		BELT.V.T-PATH
71	142427		ROD CLUTCH 38/42
72	131870		RETURN SPRING
73	127847		CLUTCH ARM SECOND

Ref #	Part Number	Qty	Description
74	121748X		WASHER
75	12000029		RING
76	128903		SHOULDER BOLT
77	127845		SPRING KEEPER
78	140334		SUB= 154810
79	127498		BUSHING
80	128759		SUB= 918128759
81	73350600		NUT
82	142028		TRUNION ADJ
83	120958X		WASHER
84	144394		SUB= 156084
85	72140620		BOLT
92	73800600		NUT
	130794		MANDREL ASM
	144783		SUB= 164962



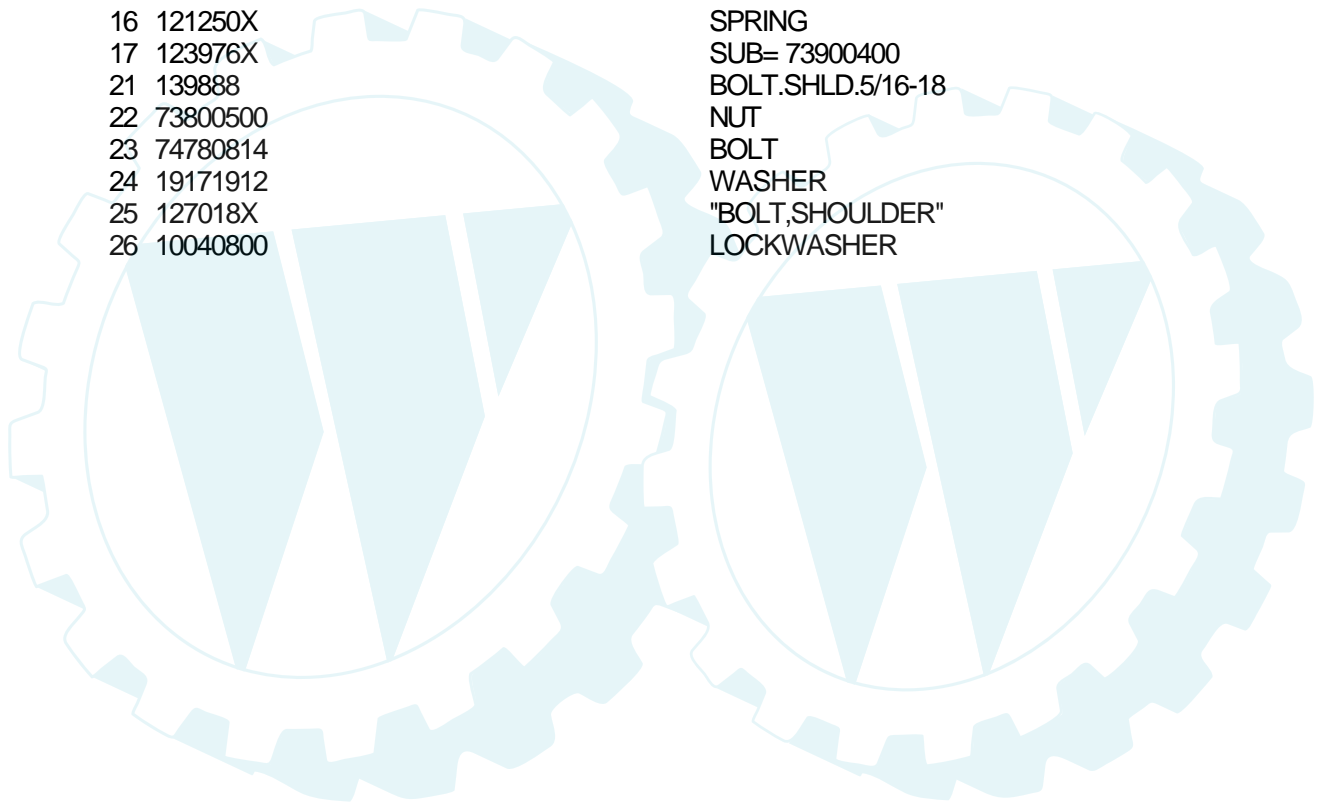
TRACTOR - - MODEL NUMBER 2P4B9B

SEAT ASSEMBLY



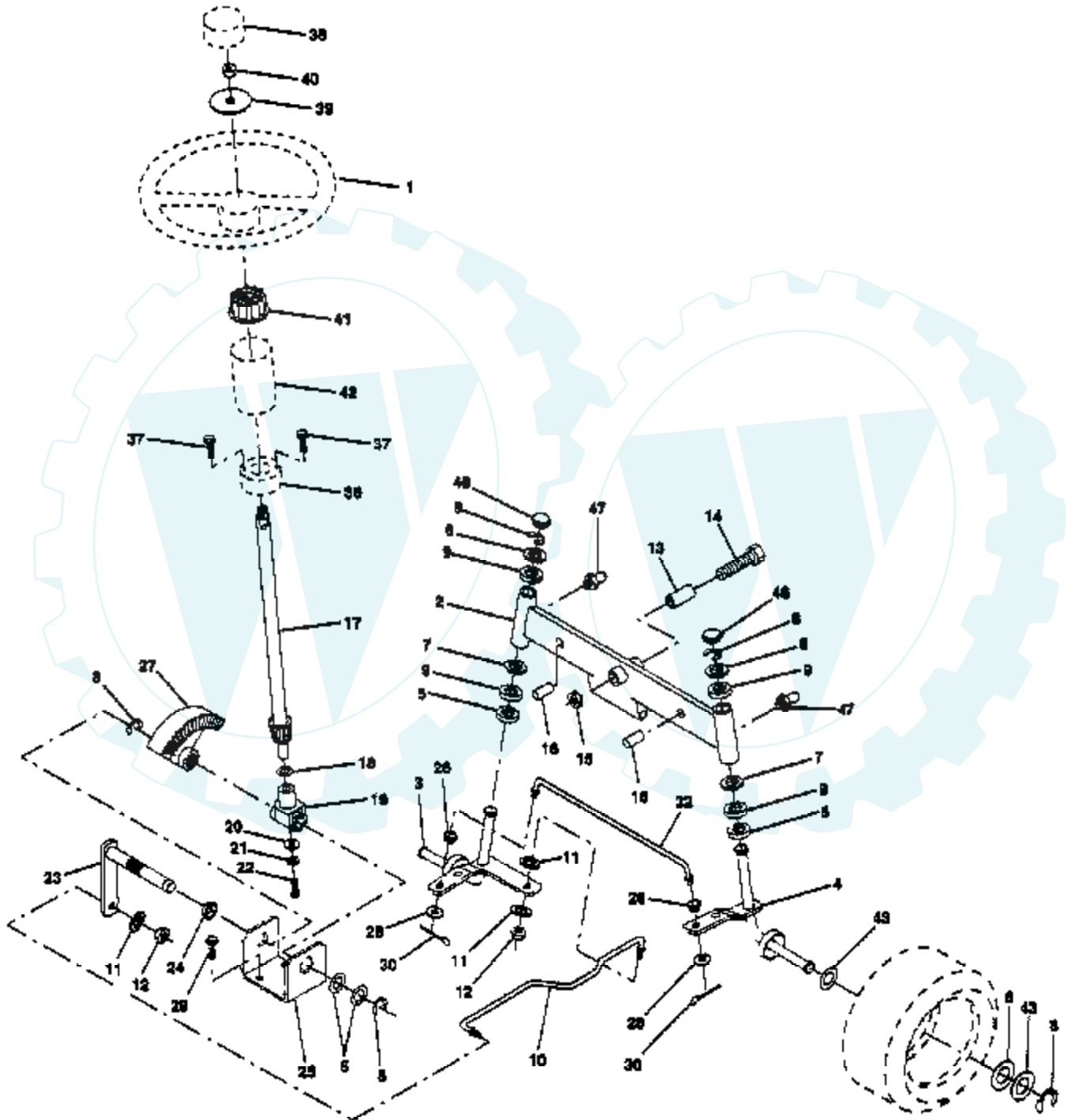
NOTE: All component dimensions given in U.S. inches - 1
inch = 25.4 mm.

Ref #	Part Number	Qty	Description
1	127428		SUB= 140119
2	140551		BRACKET PVT SEAT
3	74760616		BOLT
4	19131610		WASHER PM
5	145006		CLIP.PUSH-IN.HING
6	73800600		NUT
7	124181X		SPRING COMPRESSIO
8	17490616		SCREW GTV
9	19131614		WASHER
10	140552		SUB= 155925
12	121246X		BRKT SWITCH
13	121248X		BUSHING
14	72050411		SUB= 872050411
15	134300		SPLIT SPACER
16	121250X		SPRING
17	123976X		SUB= 73900400
21	139888		BOLT.SHLD.5/16-18
22	73800500		NUT
23	74780814		BOLT
24	19171912		WASHER
25	127018X		"BOLT,SHOULDER"
26	10040800		LOCKWASHER



TRACTOR -- MODEL NUMBER 2P4B9B

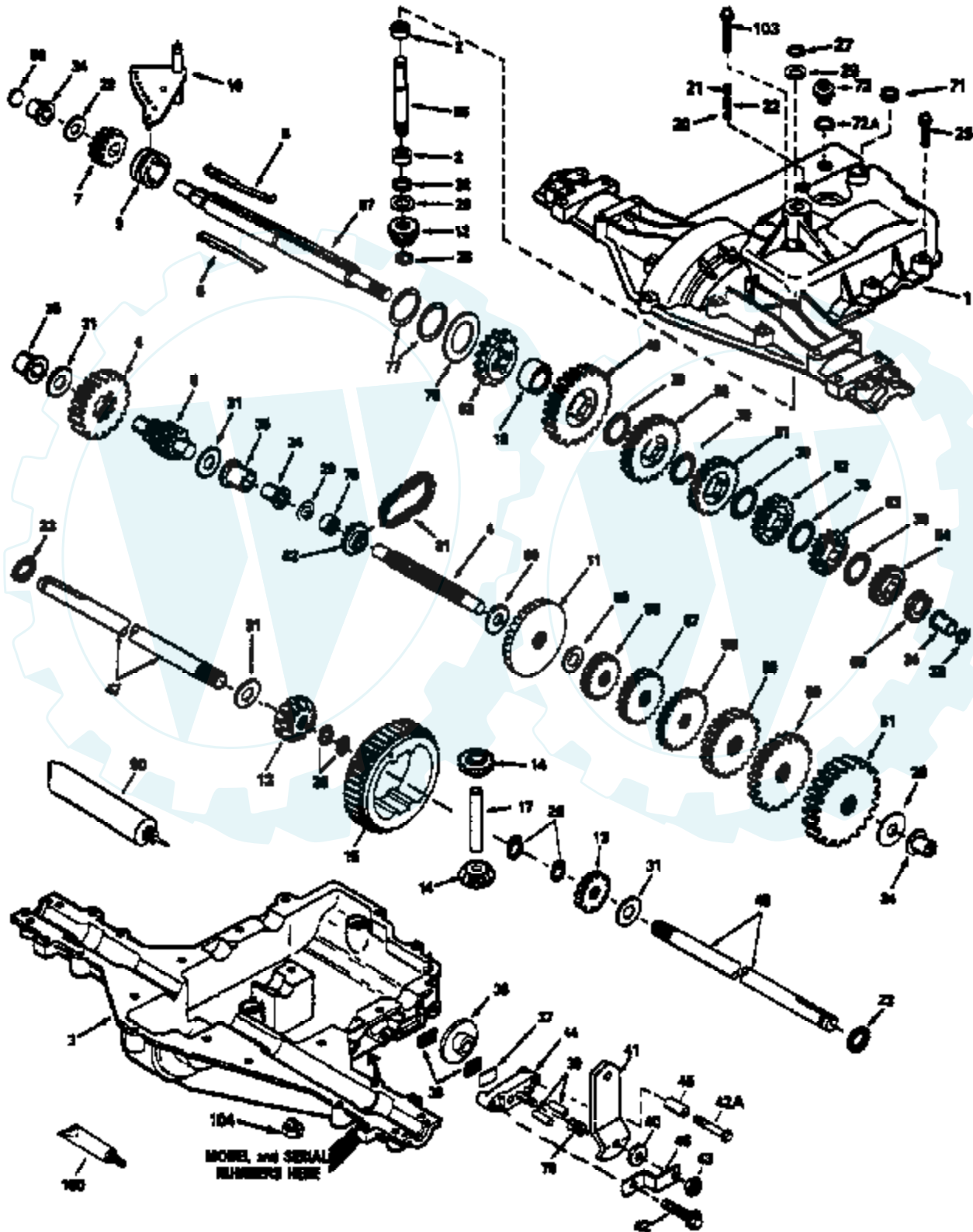
STEERING ASSEMBLY

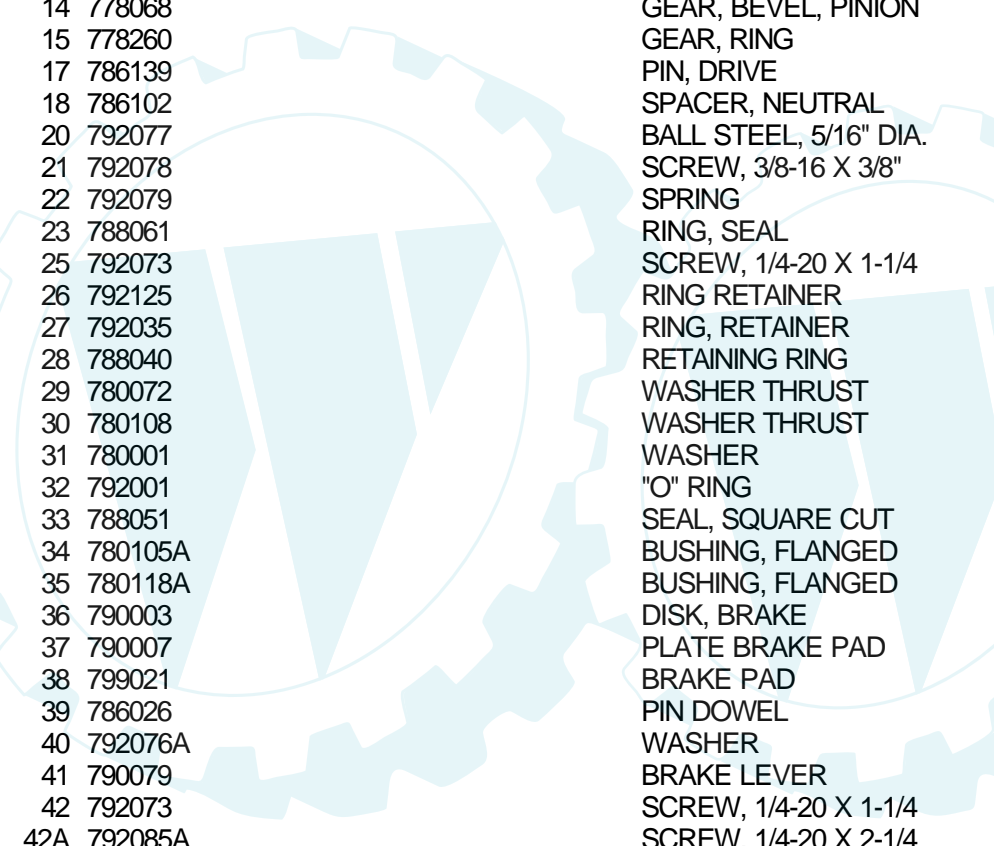


Ref #	Part Number	Qty	Description
1	133741		SUB= 150547
2	142033		AXLE ASM FRONT
3	135227		SPINDLE LH
4	135228		SPINDLE RH
5	6266H		WASHER .T
6	121748X		WASHER
7	19272016		WASHER
8	12000029		RING
9	3366R		COL. SRTG. BEAR.
10	130468		SUB= 532130468
11	10040600		LOCKWASHER
12	73610600		SUB= 7810H
13	110438X		BEARING
14	74011056		BOLT HEX 5/8-11
15	73901000		"NUT-LOC,FLANGE LT"
16	132624		AXLE PIN
17	132614		SHAFT ASM
18	57079		THRUST WASHER
19	124035X		SUPPORT.SHAFT
20	126684X		SUB= 532126684
21	10040400		LOCKWASHER
22	71070410		"SCREW,SPECIAL"
23	127501		SUB= 918127501
24	109816X		NYLINER T
25	124036X		"BRKT,STEERING"
26	126847X		BUSHING.DRAGLINK
27	136874		GEAR SECTOR
28	19131416		WASHER
29	17490612		SCREW
30	76020412		COTTER PIN
32	130465		TIE ROD
36	132196		SUB= 155106
37	17431008		SUB= 98000165
38	133742		ST WHL INSERT CAP
39	19133808		WASHER T
40	7810H		GRIPCO NUT
41	104820X		ADAPTER-WHEEL LT
42	124418X		"TUBE, STR SHAFT"
43	121749X		WASHER
46	121232X		CAP
47	6855M		ZERK M

TRACTOR - - MODEL NUMBER 2P4B9B
TRANSAXLE PEERLESS - MODEL NUMBER 930-055

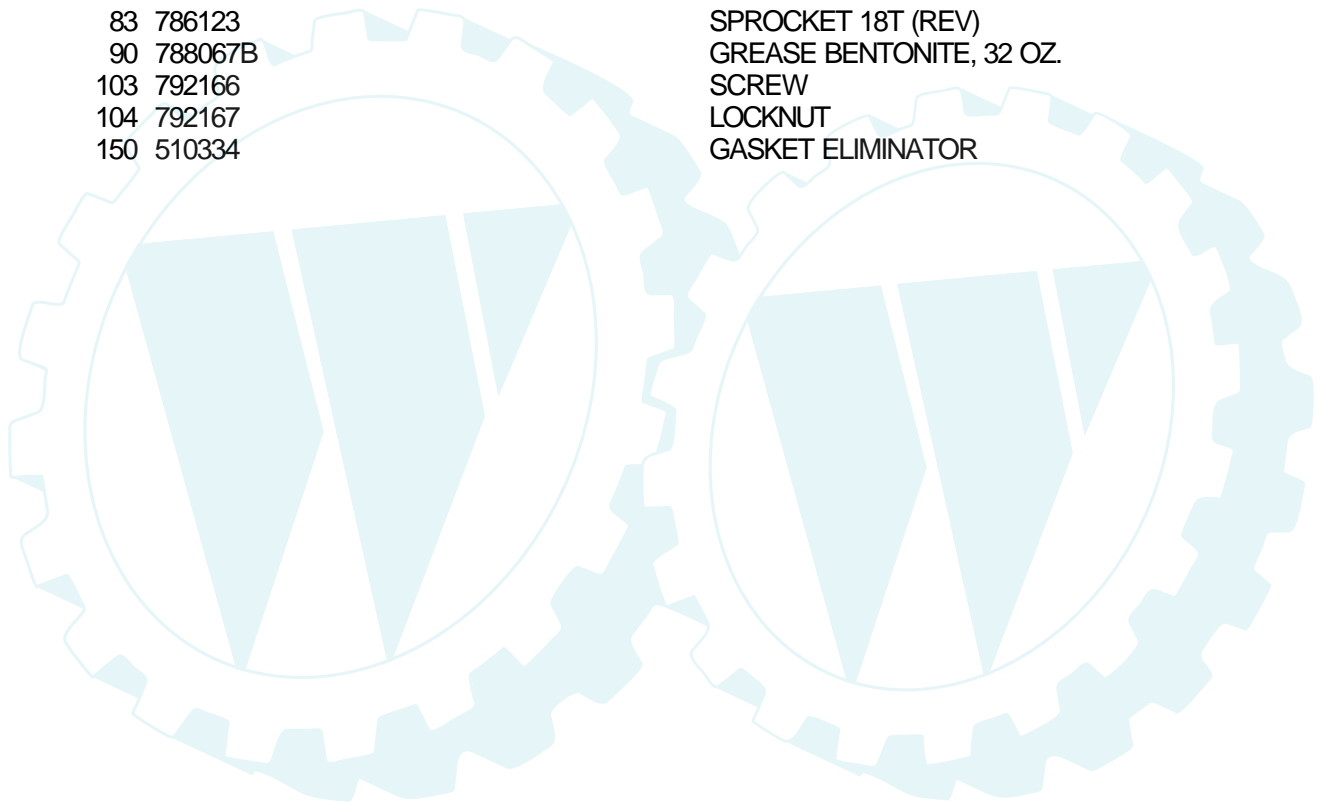
TRANSAXLE





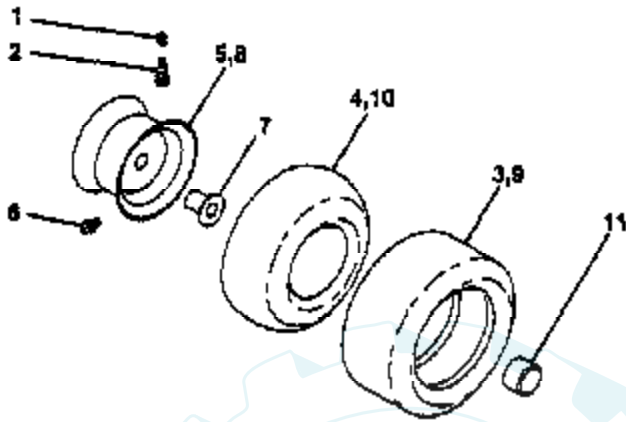
Ref #	Part Number	Qty	Description
1	772108A		TRANSAXLE COVER
2	780086		BEARING, NEEDLE
3	770102A		TRANSAXLE CASE
4	776260		SHAFT, COUNTER
5	776219B		OUTPUT SHAFT AND PINION
6	778139		GEAR, OUTPUT
7	778136		GEAR, SPUR, 15 TEETH
8	792136A		SHIFT KEY
9	784352		COLLAR, SHIFTER
10	784355		ROD & FORK ASSY, SHIFT
11	778229		GEAR, BEVEL, 42 TEETH
12	778113A		BEVEL PINION, INPUT
13	778221		GEAR, BEVEL
14	778068		GEAR, BEVEL, PINION
15	778260		GEAR, RING
17	786139		PIN, DRIVE
18	786102		SPACER, NEUTRAL
20	792077		BALL STEEL, 5/16" DIA.
21	792078		SCREW, 3/8-16 X 3/8"
22	792079		SPRING
23	788061		RING, SEAL
25	792073		SCREW, 1/4-20 X 1-1/4
26	792125		RING RETAINER
27	792035		RING, RETAINER
28	788040		RETAINING RING
29	780072		WASHER THRUST
30	780108		WASHER THRUST
31	780001		WASHER
32	792001		"O" RING
33	788051		SEAL, SQUARE CUT
34	780105A		BUSHING, FLANGED
35	780118A		BUSHING, FLANGED
36	790003		DISK, BRAKE
37	790007		PLATE BRAKE PAD
38	799021		BRAKE PAD
39	786026		PIN DOWEL
40	792076A		WASHER
41	790079		BRAKE LEVER
42	792073		SCREW, 1/4-20 X 1-1/4
42A	792085A		SCREW, 1/4-20 X 2-1/4
43	792075		LOCKNUT 5/16-24
44	790025		HOLDER BRAKE PAD
45	786066		SPACER
46	786086		BRKT BRAKE LEVER
47	774690		AXLE
48	774691		AXLE
49	778215		GEAR, SPUR, 37 TEETH
50	778125		GEAR, SPUR, 35 TEETH
51	778124A		GEAR, SPUR, 30 TEETH
52	778123A		GEAR, SPUR, 25 TEETH
53	778122A		GEAR, SPUR, 22 TEETH
54	778273		GEAR, SPUR, 19T
56	778230		GEAR, SPUR, 12 TEETH
57	778151		GEAR, SPUR, 15 TEETH
58	778126A		GEAR, SPUR, 20 TEETH
59	778127A		GEAR, SPUR, 25 TEETH
60	778128A		GEAR, SPUR, 28 TEETH
61	778163		GEAR, SPUR, 31 TEETH

Ref #	Part Number	Qty	Description
65	780109		WASHER, THRUST
66	776135		SHAFT, INPUT
67	776315A		SHAFT, BRAKE, 4 KEYED
68	786116		DISK
69	780051		WASHER THRUST
70	786118		SPACER
71	788069		SEAL SQUARE CUT
72	792165		THREADED PLUG 9/16-18
72A	788091		"O" RING
76	780090		WASHER, THRUST
77	788078A		INVERTED RETAINING RING
79	792144		SPRING
81	786081		CHAIN, ROLLER
82	786082		SPROCKET 9T
83	786123		SPROCKET 18T (REV)
90	788067B		GREASE BENTONITE, 32 OZ.
103	792166		SCREW
104	792167		LOCKNUT
150	510334		GASKET ELIMINATOR

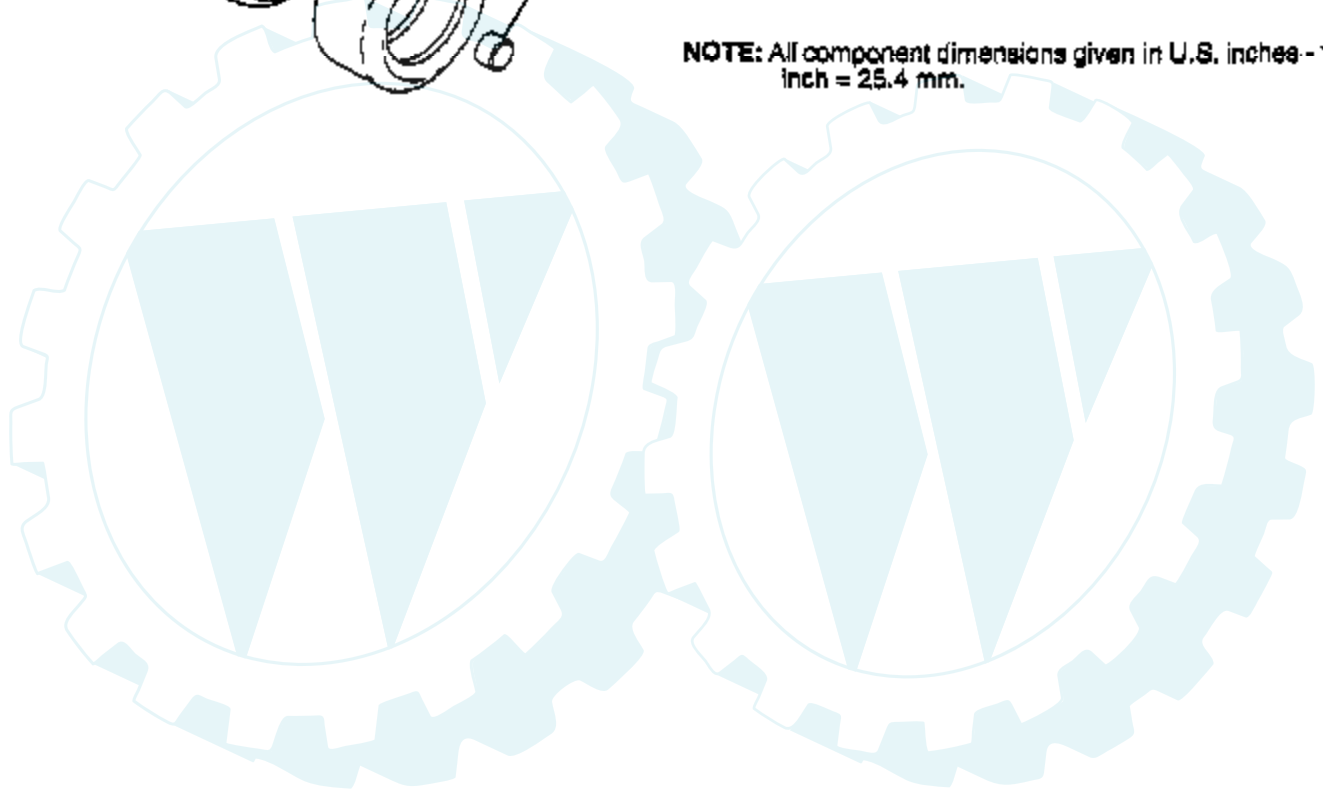


TRACTOR - - MODEL NUMBER 2P4B9B

WHEELS & TIRES



NOTE: All component dimensions given in U.S. inches - 1
inch = 25.4 mm.



Ref #	Part Number	Qty	Description
1	59192		VALVE CAP
2	65139		VALVE STEM LT
3	106222X		SUB= 122073X
4	59904		TUBE.5.3/4.5/6
5	106732X427		"RIM ASM 6"" FRT"
6	278H		FITTING LT
7	9040H		"FLANGE, BEARING"
8	106108X427		"RIM AS 8"" REAR"
9	122082X		SUB= 918122082X
10	7152J		TUBE.18X9.5-8
11	104757X		HUB CAP

