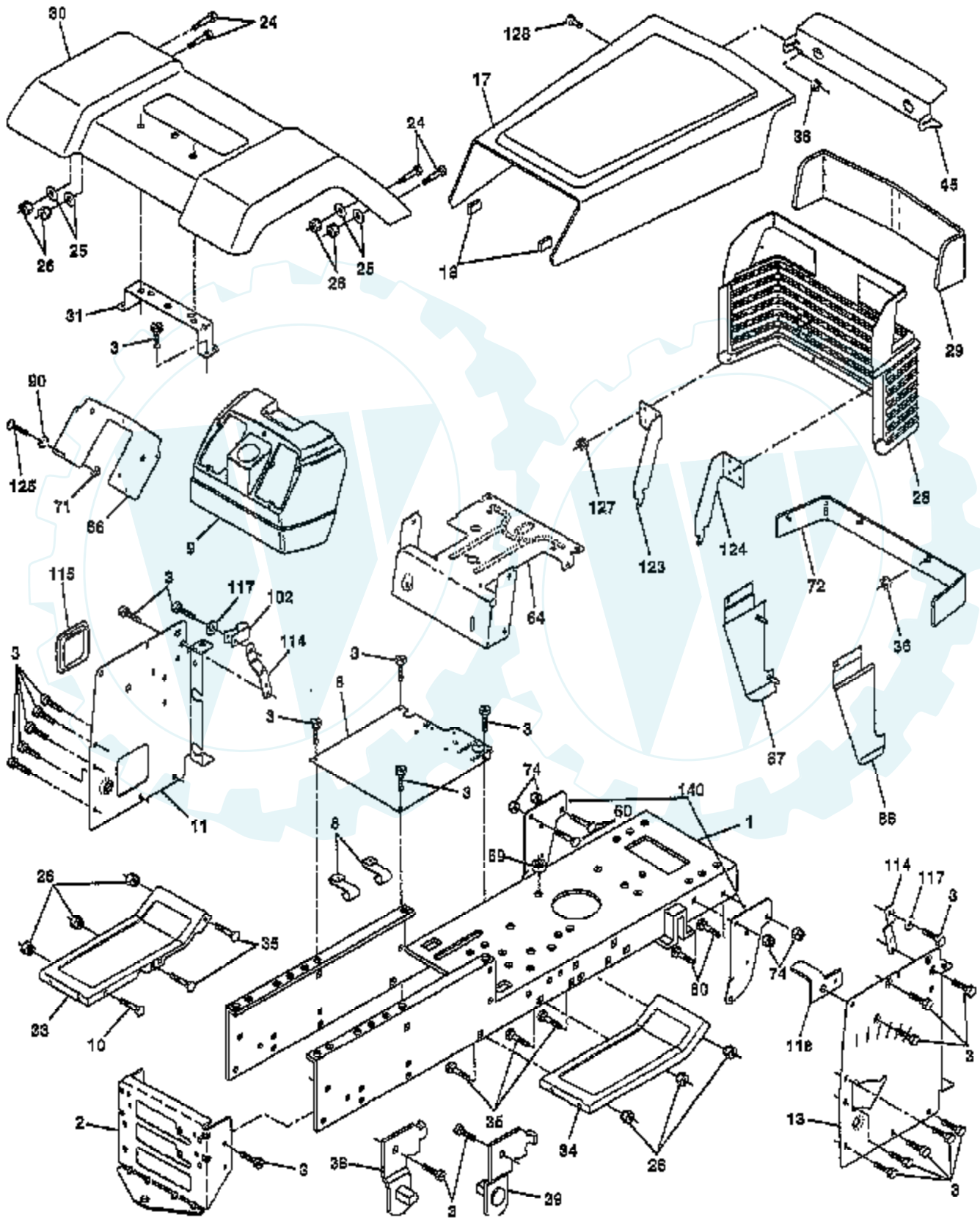


TRACTOR - - MODEL NUMBER 2H4D3B

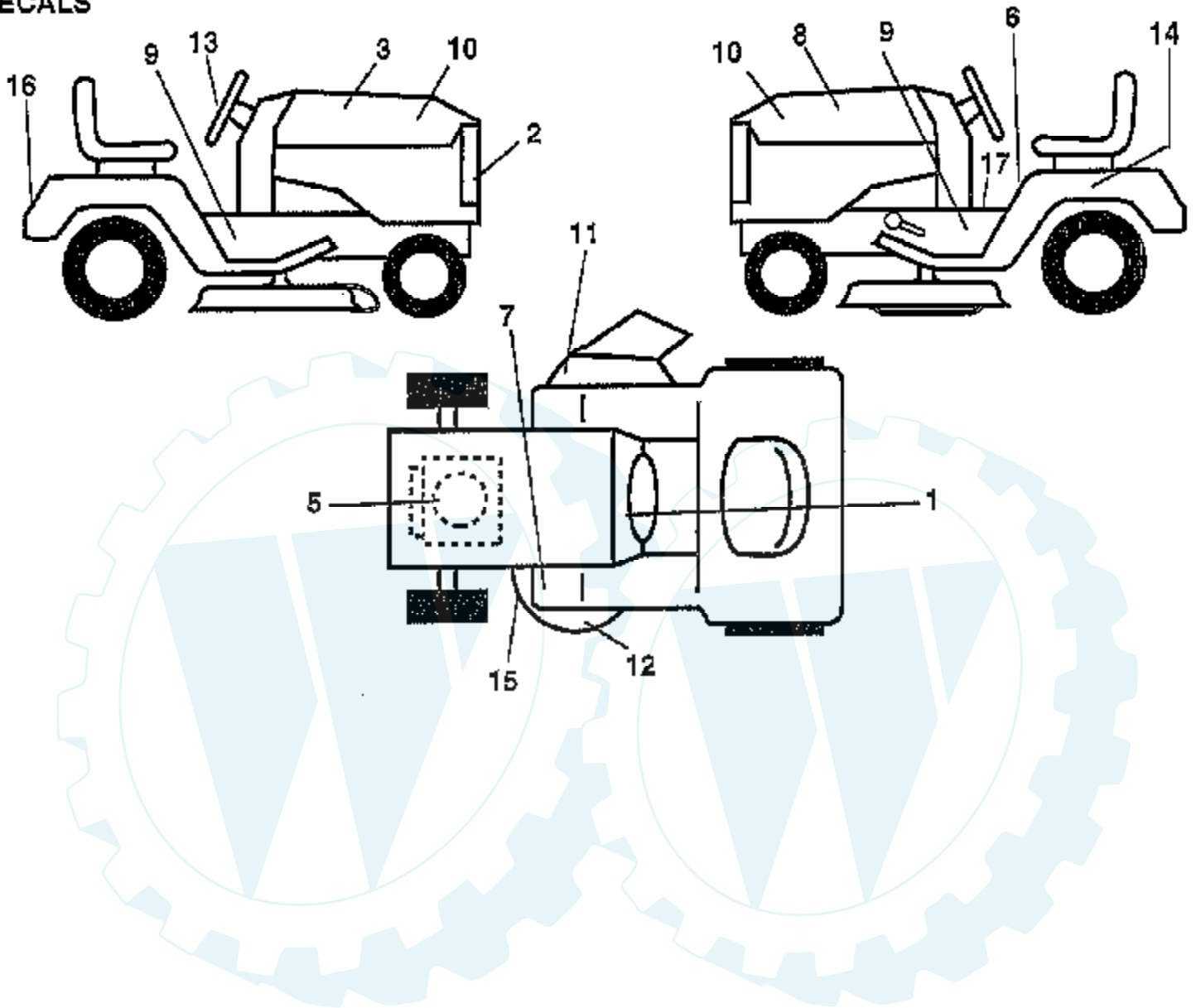
CHASSIS AND ENCLOSURES



Ref #	Part Number	Qty	Description
1	151169		CHASSIS WLDMT 11G
2	140356		SUB= 145009
3	17490612		SCREW
6	145208X016		SUB= 155924X015
8	126471X		"CLIP,INSULATOR"
9	145203		DASH.PLASTIC.BLK
10	72140608		SUB= 72110608
11	145218		PANEL.DASH.LH.
13	145223		PANEL.DASH.RH.NOT
17	123801X505		HOOD.ASM.YTGT.PNT
18	126938X		SUB= 532126938
24	74780616		BOLT
25	19131312		WASHER
26	73800600		NUT
28	140671		GRILLE ASM WELD
29	110898X		LENS T
30	109872X505		FENDER
31	136619		BRKT FENDER
33	105476X505		FOOTREST LH
34	105475X505		FOOTREST RH
35	72110606		BOLT
36	108067X		PAL NUT LT
38	139886		BRACKET ASM LH
39	139887		BRACKET ASM RH
45	132257		SUB= 918132257
59	110436X		SUB= 9151R
64	150272		DASH.LOWER.LT
66	140943X011		PLATE DASH SILKSC
71	73640400		NUT HXKEP 1/4X20
72	110350X505		STRAP GRILLE 505
74	73680600		SUB= 73690600
86	123764X505		PANEL.SIDE.RH.ASM
87	123765X505		PANEL.SIDE.LH.ASN
90	19091216		WASHER PM
102	2751R		CLIP T
114	145349		BRACKET.SUPT.DASH
115	121749X		WASHER
117	144283		WASHER.SERRATED.
118	145595		BRACKET.CLUTCH.MC
123	149037		BRACKET.PICK.LH.
124	149036		BRACKET.PICK.RH.
125	74180412		SCREW
127	120579X		PAL NUT
128	124201X		SCREW SPECIAL
140	150556		SUB= 158739
	5479J		PLUG BUTTON T

TRACTOR -- MODEL NUMBER 2H4D3B

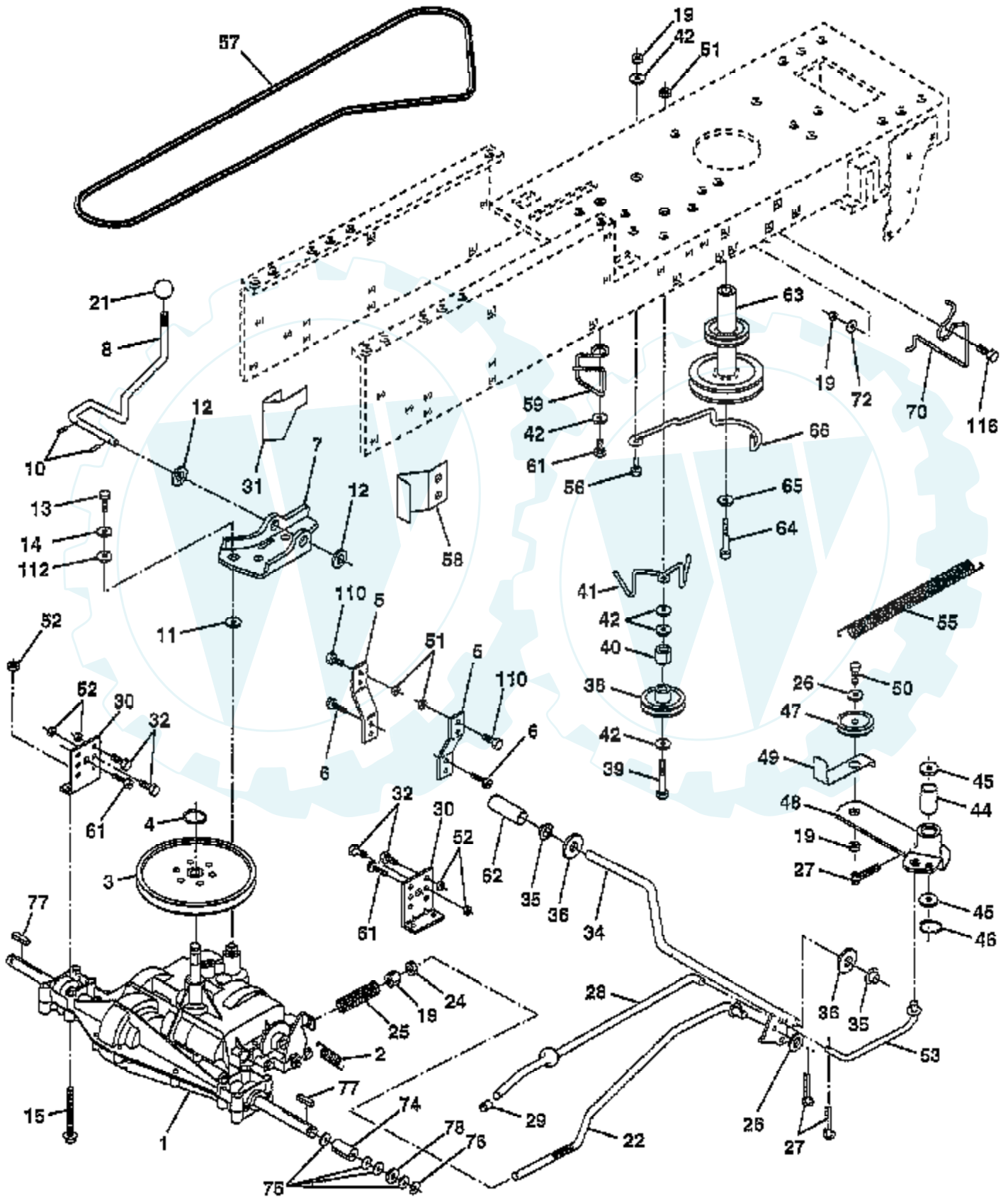
DECALS



Ref #	Part Number	Qty	Description
1	138956		DECAL.DASH.INSTR.
2	132627		GRILL DECAL
3	146747		DECAL.HD.RH.RALLY
5	272632		DECAL, HP ENGINE
6	133795		DECAL CAUTION
7	101892X		DECAL T
8	146748		DECAL.HD.LH.RALLY
9	131425		CHASSIS DECAL
10	135866		NLA
11	137259		"DECAL, WARNING"
12	135013		NLA
13	127075		"DECAL,STR WHL"
14	146451		DECAL.BTRY.DANGER
15	136832		DECAL
16	132628		FENDER DECAL
17	140837		DECAL BRAK PARK
	138311		DECAL HANDLE LIFT
	153347		MANUAL P 2H4D3B
	145278		MANUAL.OP.GENERIC
	LBD48		SNOW BLADE
	C42		GRASS CATCHER
	LC05		WHEEL WTS.
	CH12		TIRE CHAINS
	LSB42		SNOW THROWER
	MK420		MULCHING KIT W/BLADES

TRACTOR -- MODEL NUMBER 2H4D3B

DRIVE



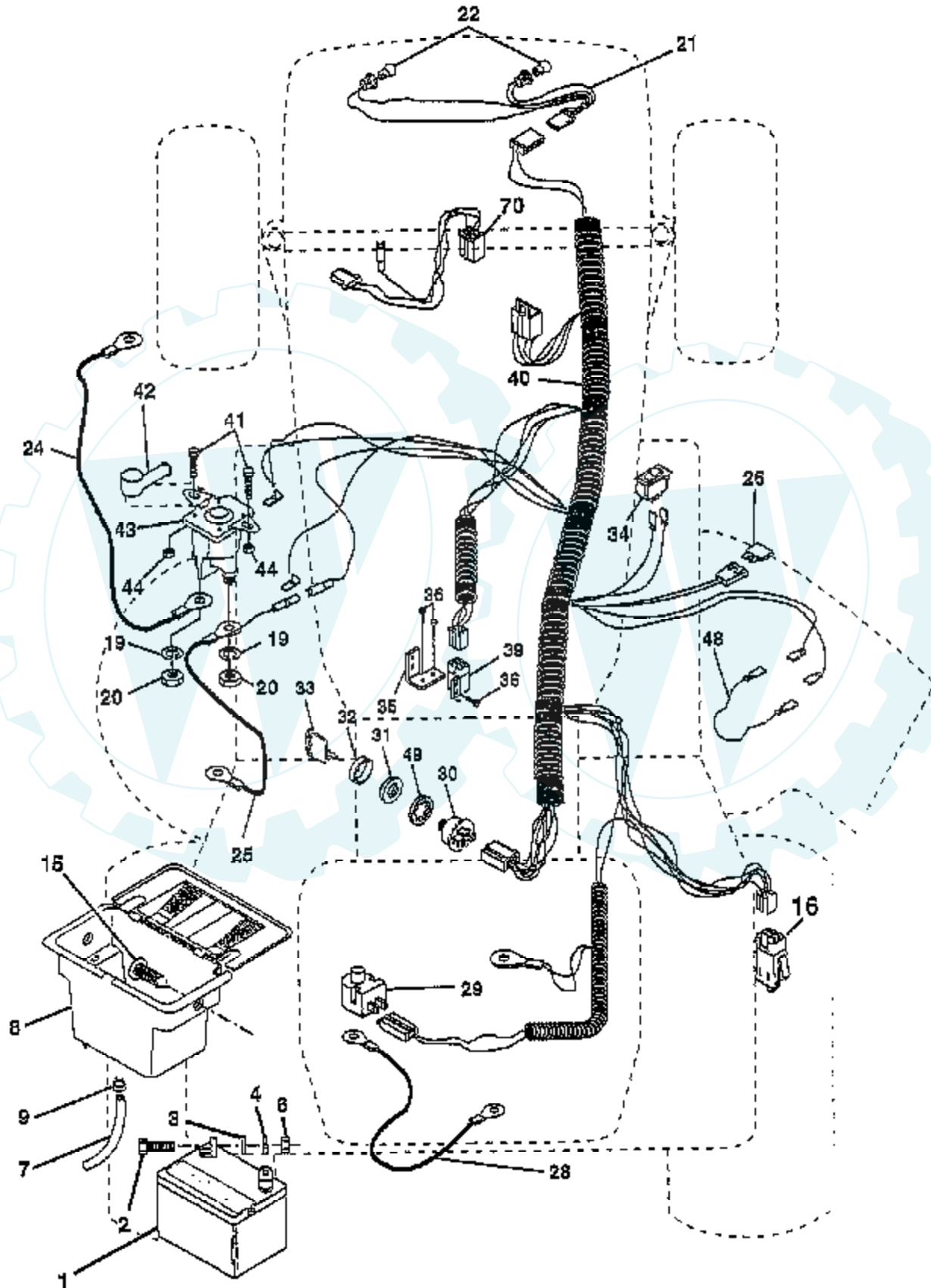
Ref #	Part Number	Qty	Description
1	142603		SUB= 160664
2	146682		SPRING.BRAKE.RETU
3	123666X		PULLEY TRANS
4	12000028		SUB= 2267J
5	121520X		STRAP TORQUE
6	17490512		SCREW
7	130802		SUB= 162240
8	131679		SHIFT ROD
10	76020416		PIN COTTER 1/8
11	105701X		WASH-SHFT PLT LT
12	19151216		WASHER
13	74550412		BOLT.1/4-28.W/PAT
14	10040400		LOCKWASHER
15	74490544		BOLT.HX.FLG.5/16
18	74780616		BOLT
19	73800600		NUT
21	106933X		KNOB T (1/2-HOLE)
22	130804		BRAKE ROD
24	73350600		NUT
25	106888X		SPRING ROD LT
26	19131316		WASHER
27	76020412		COTTER PIN
28	145204		ROD.BRAKE.PARK.LT
29	71673		PLUNGER CAP T
30	130807		TRANSAXLE MTG BKT
31	127275X		"KEEPER,BELT LH T"
32	74760512		BOLT
34	151128		SHAFT FOOT PEDAL
35	120183X		NYLON BEARING
36	19211616		WASHER LT
37	1572H		SUB= 2882J
38	123674X		PULLEY.IDLER.FLAT
39	74760644		BOLT
40	4470J		SPACER T
41	153399		KEEPER BELT
42	19131312		WASHER
44	105706X		"LY, BEARING"
45	110812X		WASHER LT
46	12000039		KLIP RING
47	127783		SUB= 139245
48	123789X		ARM IDLER
49	123205X		RETAIN BELT
50	74760624		SUB= 74930624
51	73680600		SUB= 73690600
52	73680500		SUB= 73690500
53	105710X		"LINK, CLUTCH T"
55	105709X		"SPRING, RETURN LT"
56	74760620		SUB= 74780620
57	130801		SUB= 138255
58	127274X		"KEEPER,BELT RH T"
59	140312		KEEPER BELT CNTSP
61	17490612		SCREW
62	8883R		PEDAL COVER T
63	140186		PULLEY.ENGINE
64	71170764		BOLT
65	10040700		LOCKWASHER
66	153400		SUB= 129921
70	134683		KEEPER BELT ENG

Ref #	Part Number	Qty	Description
72	19132012		WASHER
74	109502X		SPACER LT
75	121749X		WASHER
76	12000001		E-RING LT
77	123583X		SQUARE KEY
78	121748X		WASHER
100	19111216		WASHER M
110	74760612		SUB= 74780612
112	19091210		WASHER LT
116	72110610		BOLT RDHD 3/8-16



TRACTOR -- MODEL NUMBER 2H4D3B

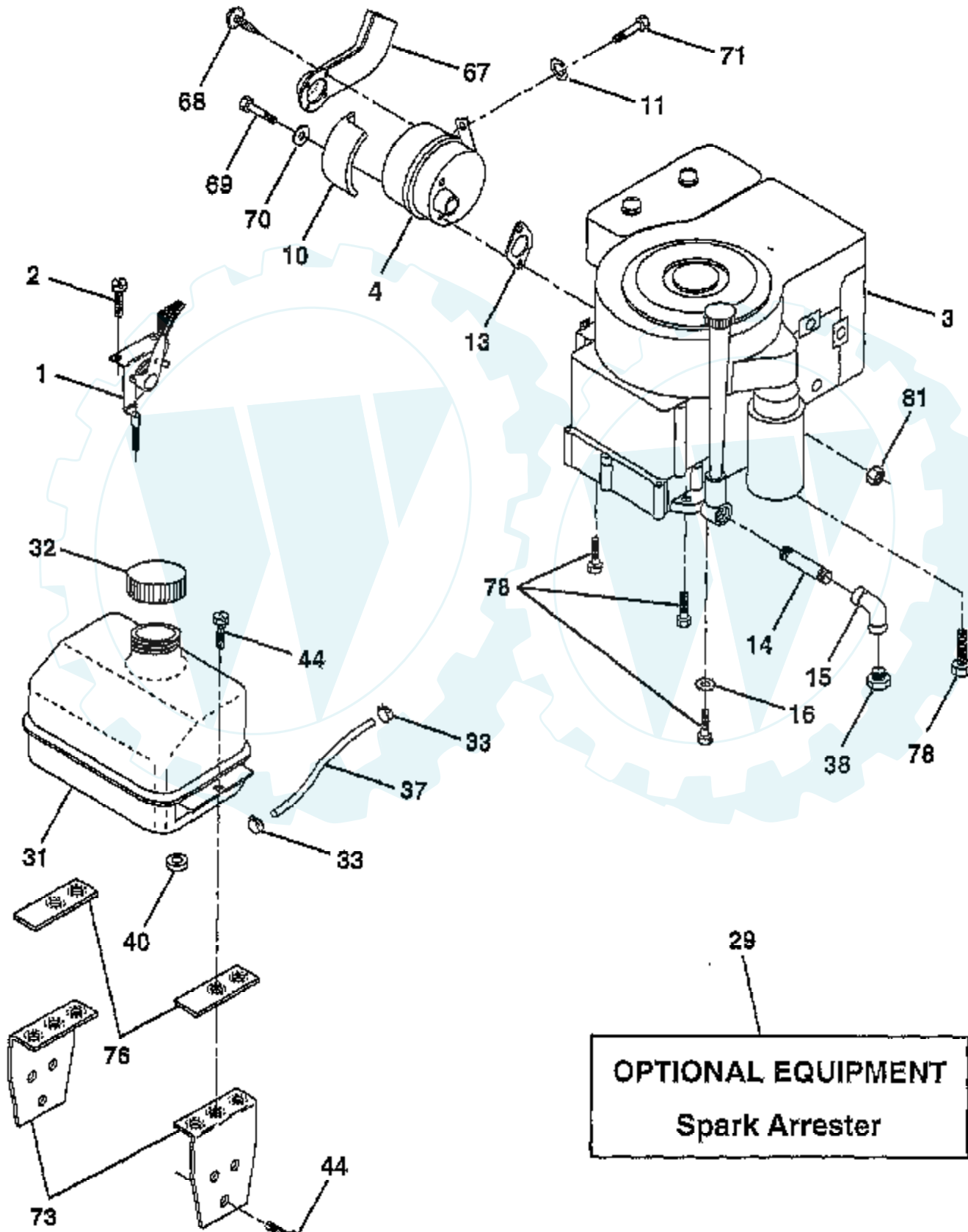
ELECTRICAL



Ref #	Part Number	Qty	Description
1	146139		SUB= 123899X
2	74760412		BOLT LT
3	19091016		WASHER
4	10040400		LOCKWASHER
6	73220400		SUB= 50675
7	109238X		TUBE T
8	144940		SUB= 156417
8	109596X		HOSE CLAMP T
15	147688		FASTNER.SNAP-IN
16	153664		SWITCH INTERLOCK
19	10090400		SUB= 10040400
20	73350400		NUT
21	136850		"HARNES, LIGHT SOC"
22	4152J		HEADLAMP BULB
24	146136		CABLE.BTRY.6GA.RD
25	148009		CABLE.BTRY.6GA.38
26	108824X		FUSE HYT
28	4207J		CABLE T
29	121305X		SWITCH SEAT
30	144921		SUB= 163088
31	140400		SUB= 145774
32	141226		COVER KEY SWITCH
33	140401		KEY MLD GEN DELTA
34	110712X		SWITCH LT
35	108236X		BRACKET LT
36	17021008		SCREW
39	109553X		SWITCH INTERLOCKT
40	145489		HARNES.IGN.DASH.
41	71110408		BOLT HXHD FIN
42	131563		SUB= 154336
43	145673		SUB= 146154
44	73640400		NUT HXKEP 1/4X20
48	140844		ADAPTER AMMETER
49	153249		WASHER PINNED
70	140413		HARNES ENG DUAL

TRACTOR - - MODEL NUMBER 2H4D3B

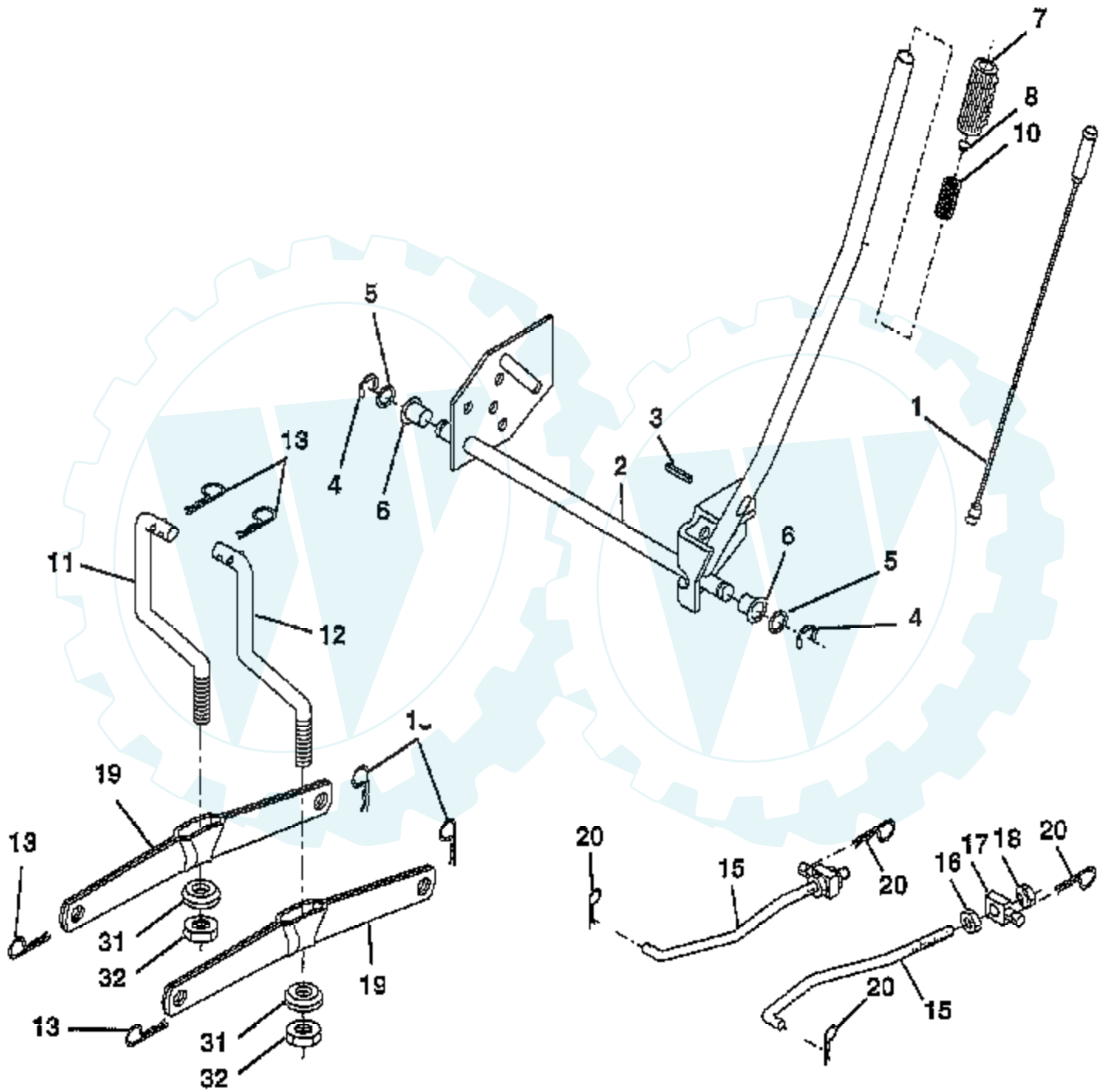
ENGINE



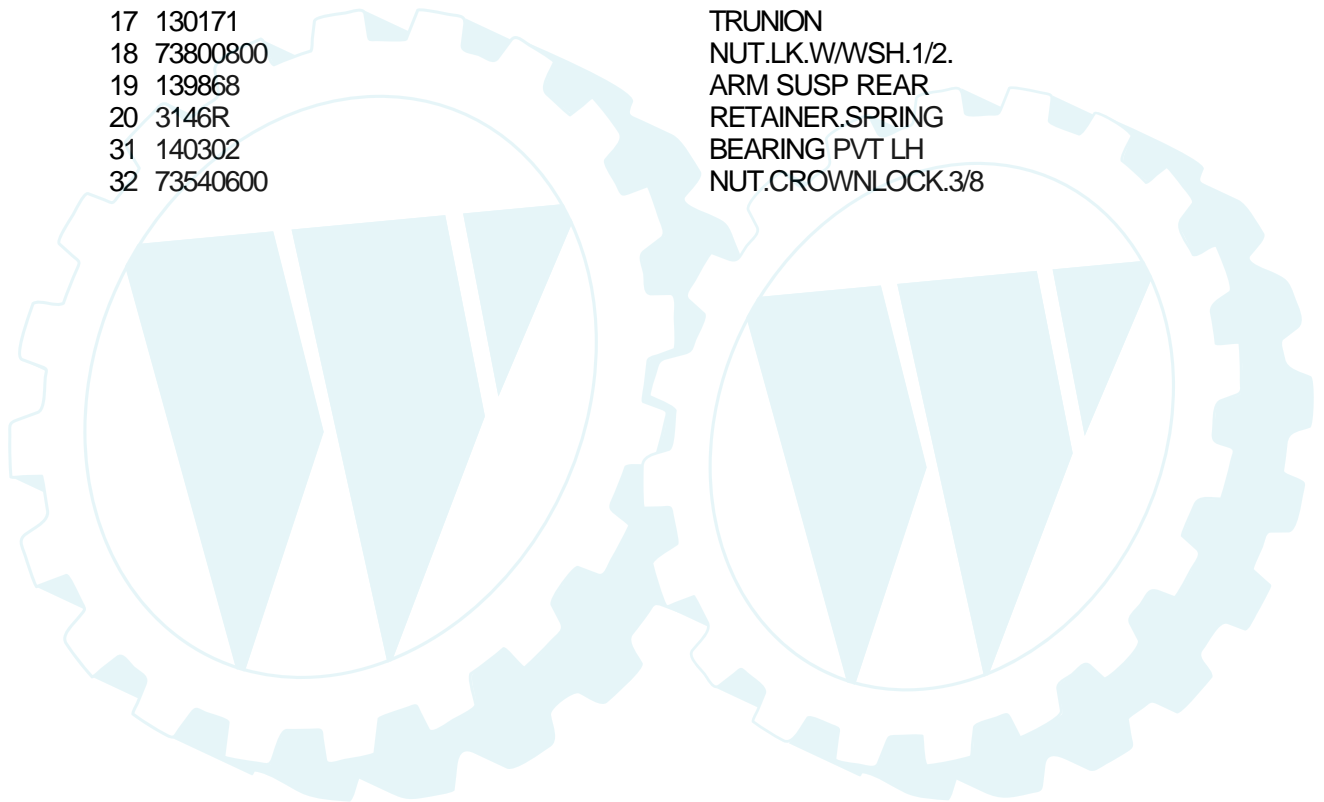
Ref #	Part Number	Qty	Description
1	132770		THROTTLE CONTROL
2	17720410		SCREW LT
3			CHECK WITH SUPPLIER
4	101273M		MUFFLER LTV
10	101159L		SHIELD HEAT LTV
11	10040400		LOCKWASHER
13	272293		GASKET ENG 1 313 LD TIN PLATED
14	13280324		PIPE NIPPLE
15	13200300		ELBOW
16	11050600		LOCKWASHER
29	137180		SUB= 532137180
31	109202X		TANK.FUEL.LT.
32	140527		CAP ASM FUEL
33	123487X		HOSE CLAMP
37	137040		LINE FUEL
38			CHECK WITH SUPPLIER
40	110436X		SUB= 9151R
44	17490612		SCREW
67	108767X		DEFLECTOR MUFFLER
68	17030808		SUB= 17030814
69	74780556		"BOLT,HEX"
70	19111012		WASHER T
71	71110408		BOLT HXHD FIN
73	128230		"CLAMP,FUEL TANK T"
76	128229		BRKT FUEL TANK T
78	17490620		SCREW
81	128861		NUT

TRACTOR - - MODEL NUMBER 2H4D3B

LIFT

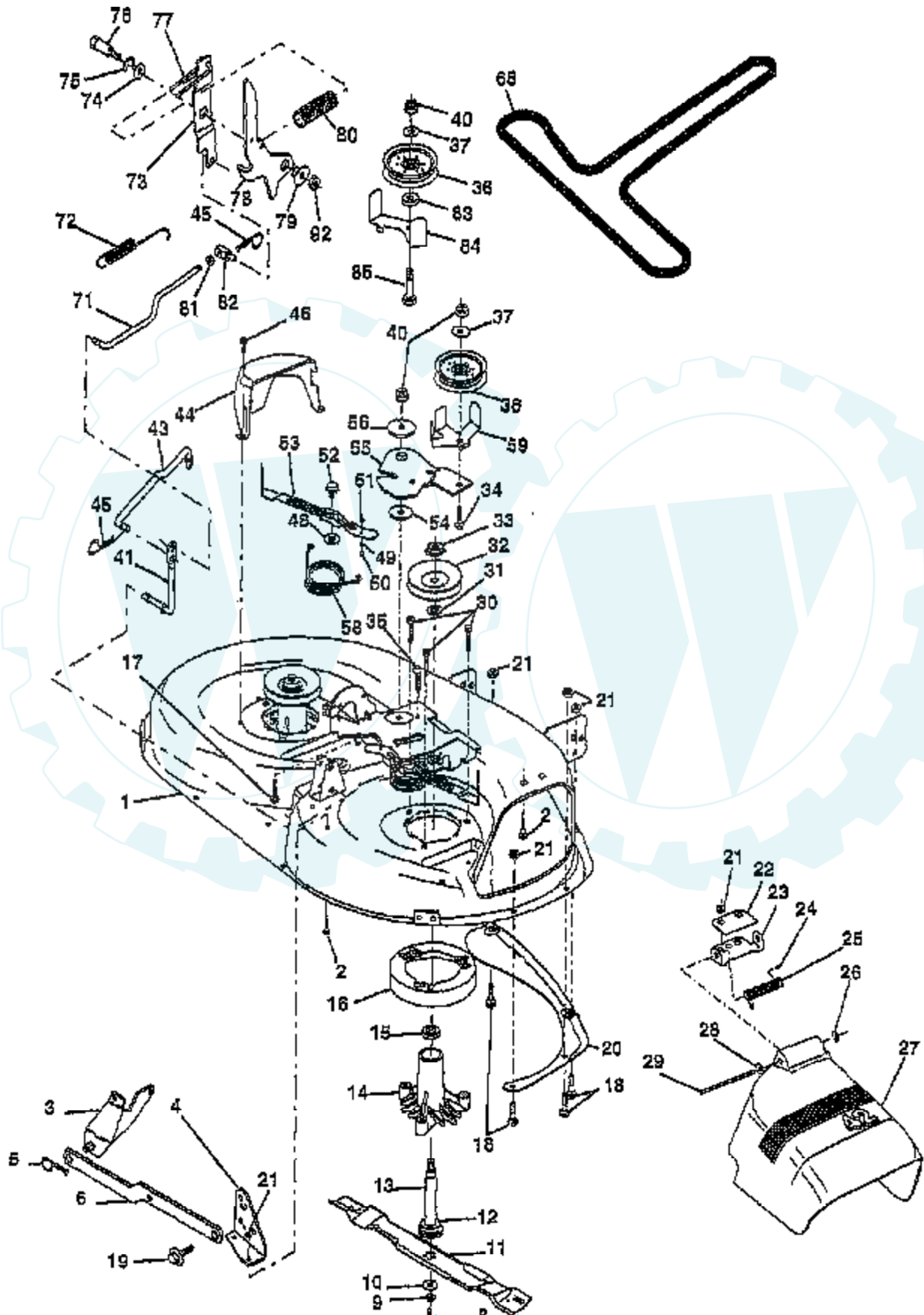


Ref #	Part Number	Qty	Description
1	136971		WIRE.ASM.INNER
2	136968		SHAFT.ASM.LIFT.RH
3	138284		PIN GROOVE
4	12000002		SUB= 2225J
5	19211621		WASHER
6	120183X		NYLON BEARING
7	109413X		GRIP
8	124526X		SUB= 125925X
10	122512X		SUB= 532122512
11	139865		SUB= 918139865
12	139866		SUB= 151140
13	4939M		SUB= 85902
15	127218		LINK.FRONT
16	73350800		NUT
17	130171		TRUNION
18	73800800		NUT.LK.W/WSH.1/2.
19	139868		ARM SUSP REAR
20	3146R		RETAINER.SPRING
31	140302		BEARING PVT LH
32	73540600		NUT.CROWNLOCK.3/8



TRACTOR - - MODEL NUMBER 2H4D3B

MOWER DECK



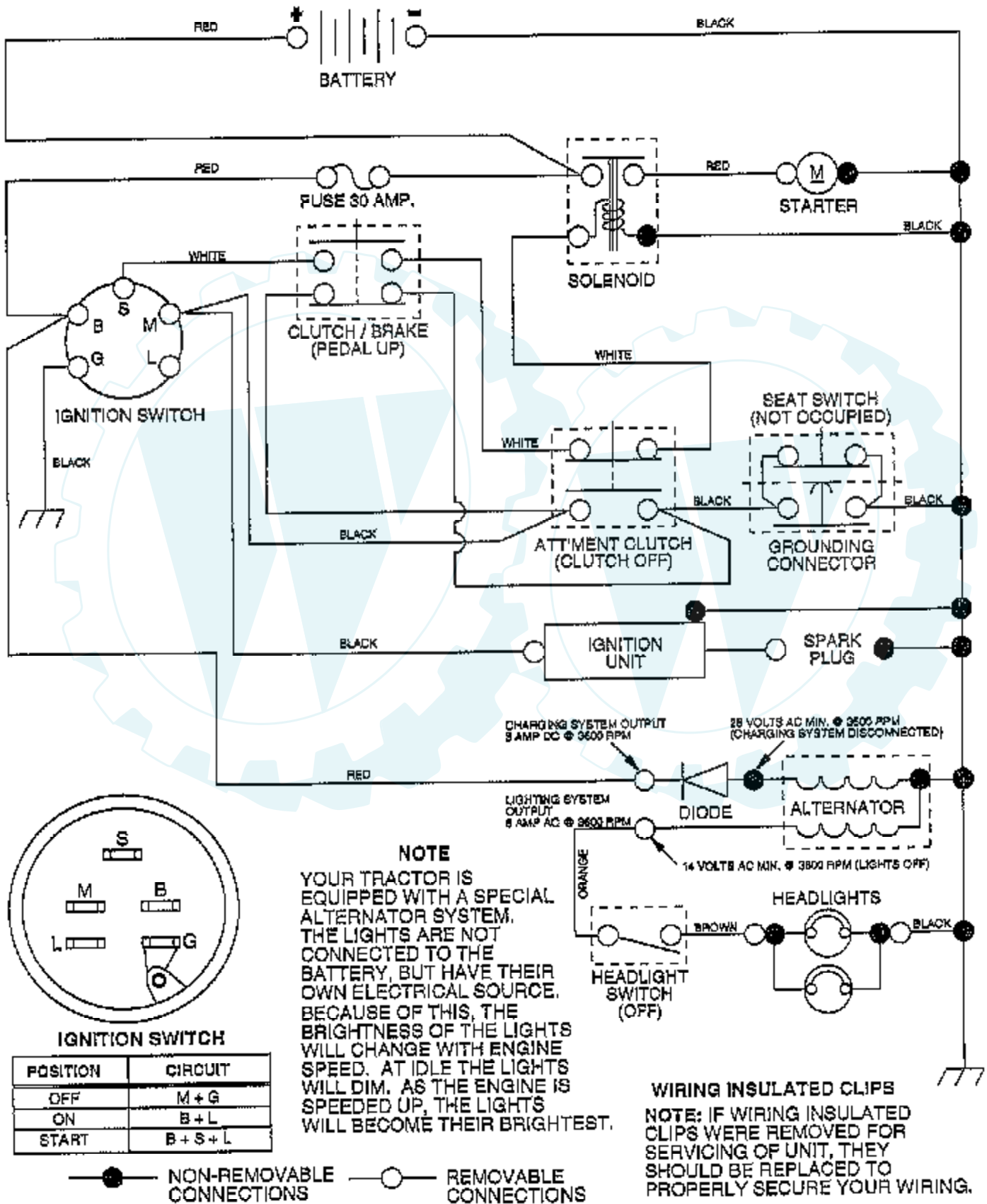
Ref #	Part Number	Qty	Description
1	144393		DECK.WELD.42.
2	72140506		BOLT
3	138017		BRKT ASM SWAY BAR
4	138440		BRKT DECK SW BAR
5	4939M		SUB= 85902
6	130832		SUB= 130833
8	850857		BLADE BOLT
9	10030600		SUB= 10040600
10	140296		WASHER.HARD.BLADE
11	138498		"BLADE.42"" HIPERF"
12	129895		BEARING.BALL
13	137645		SUB= 137646
14	128774		HSG ASM MANDREL
15	110485X		BEARING
16	140329		STRIPPER RND MWR
17	72110610		BOLT RDHD 3/8-16
18	72140505		BOLT
19	132827		BOLT SHD 5/16-18
20	136888		SUB= 918136888
21	73680500		SUB= 73690500
22	134753		STIFFENER BRKT
23	131267		DEFLECTOR BRKT
24	105304X		CAP-SLEEVE LT
25	123713X		SPRING TORSION
26	110452X		NUT PUSH M
27	130968		DEFLECTOR.SHIELD
28	19111016		WASHER
29	131491		HINGE ROD
30	138776		SUB= 157722
31	129963		WASHER
32	153535		PULLEY.MANDREL.42
33	137266		SUB= 139729
34	72110614		BOLT
35	133835		XMAS TREE FASTNER
36	131494		FLAT IDLER PULLEY
37	19131316		WASHER
40	73680600		SUB= 73690600
41	133551		PIVOT ROD
43	140083		ROD CLUTCH W/NIBS
44	140088		GUARD MAND LH BLK
45	4497H		RETAINER M
46	137729		SCREW.1/4-20X5/8
48	133944		HARD SMALL WASHER
49	133940		SUB= 151785
50	131340		SHOULDER BOLT
51	69180		LOCKNUT
52	139888		BOLT.SHLD.5/16-18
53	131845		BRAKE PAD ARM ASM
54	133943		HARDENED WASHER
55	140084		SUB= 151785
56	122052X		SPACER RETAINER
58	140086		SPRING TORSN BRAK
59	141043		GUARD IDLER TUV
68	144200		BELT.V.T-PATH
71	142427		ROD CLUTCH 38/42
72	146927		SPRING.EXT.RETURN
73	127847		CLUTCH ARM SECOND
74	121748X		WASHER

Ref #	Part Number	Qty	Description
75	12000029		RING
76	128903		SHOULDER BOLT
77	127845		SPRING KEEPER
78	140333		SUB= 140333X431
79	127498		BUSHING
80	128759		SUB= 918128759
81	73350600		NUT
82	142028		TRUNION ADJ
83	120958X		WASHER
84	144394		SUB= 156084
85	72140618		BOLT RDHD 3/8-16
92	73800600		NUT
	130794		MANDREL ASM
	144783		SUB= 164962



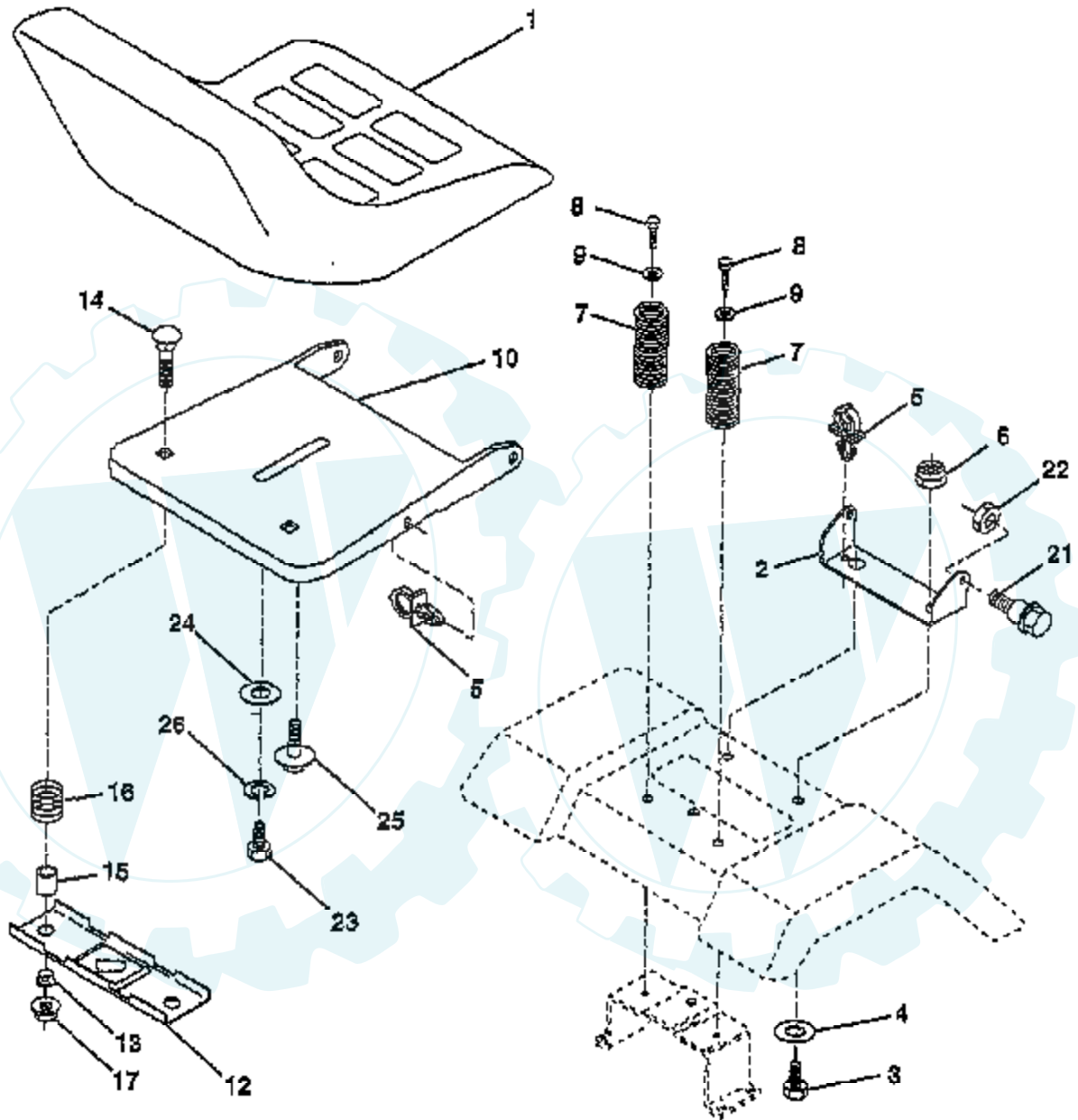
TRACTOR - - MODEL NUMBER 2H4D3B

SCHEMATIC



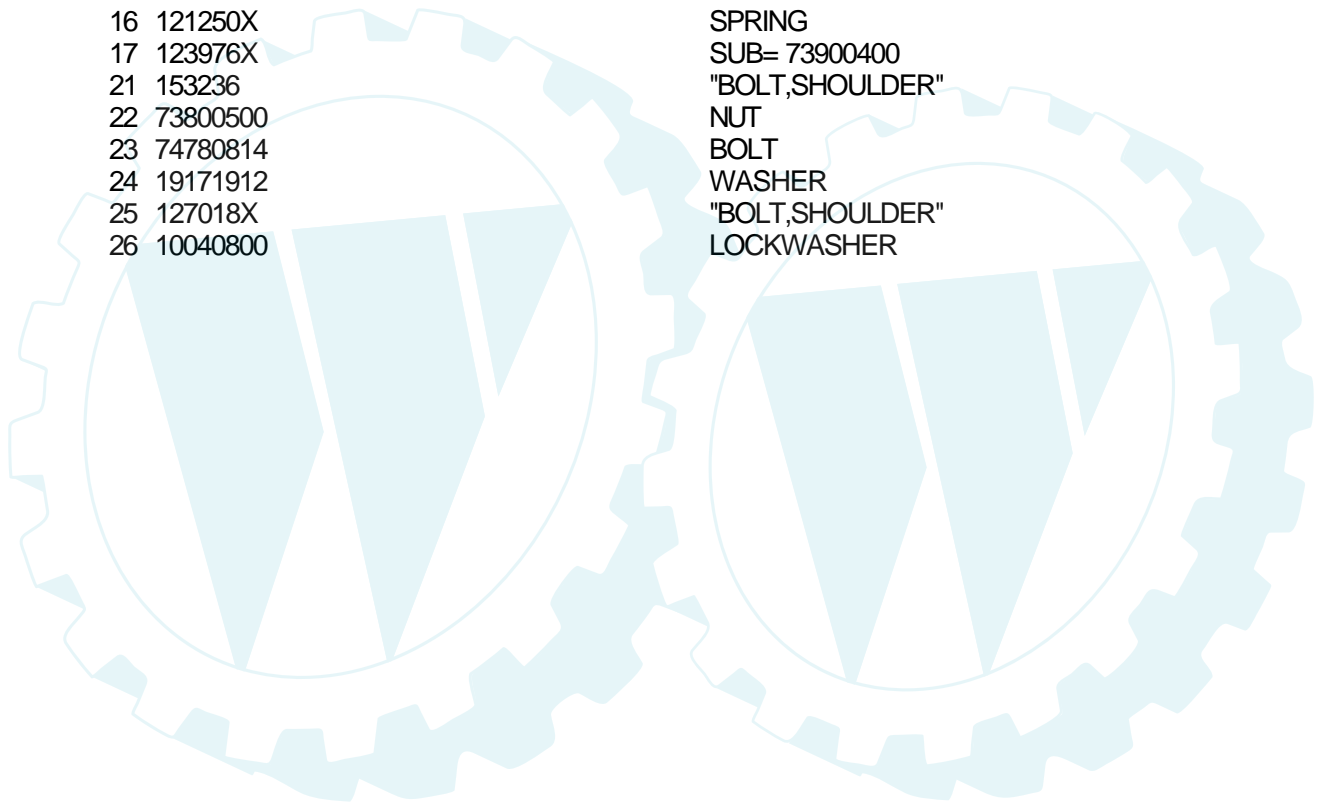
TRACTOR - - MODEL NUMBER 2H4D3B

SEAT ASSEMBLY



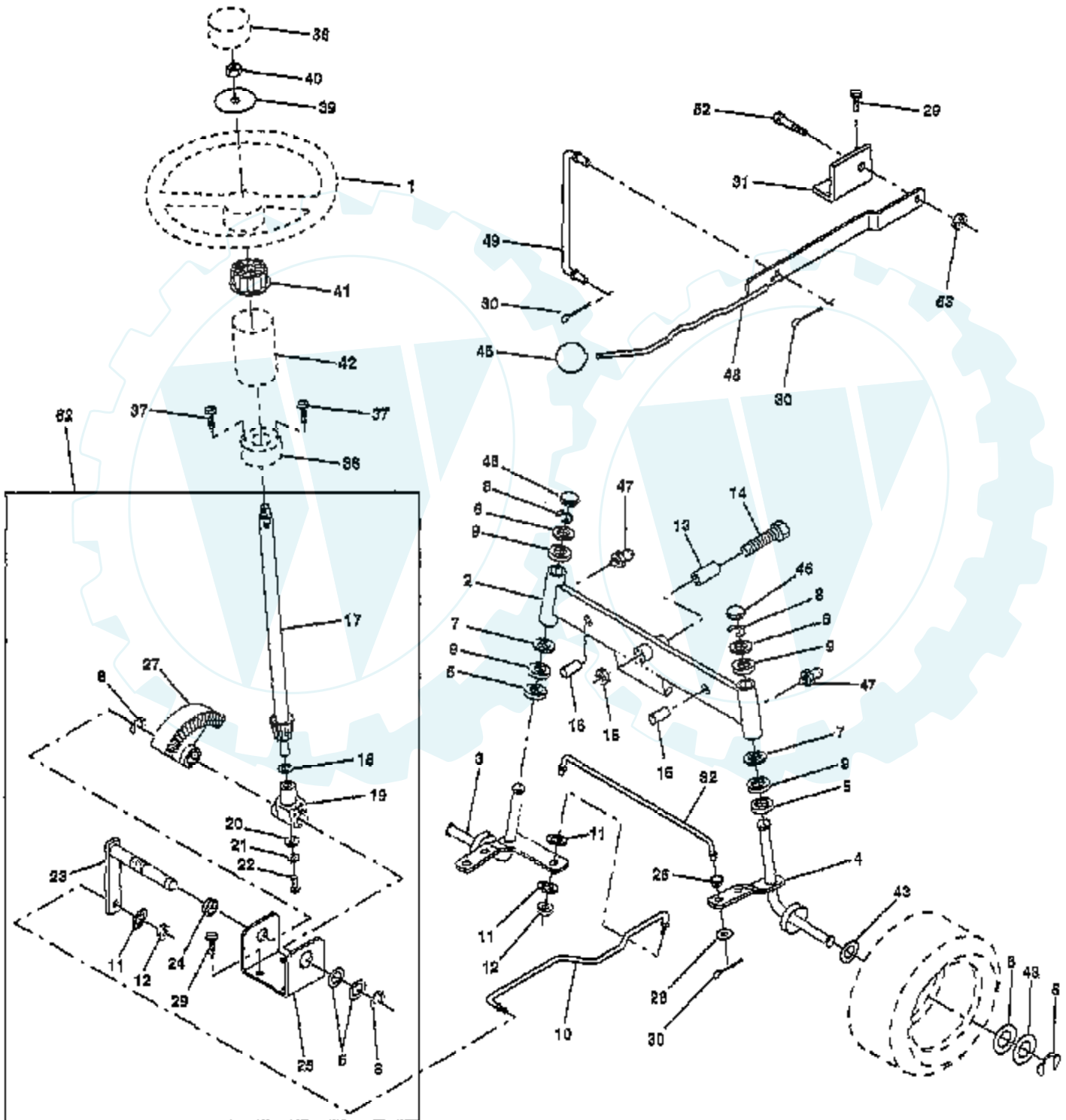
NOTE: All component dimensions given in U.S. inches
1 Inch = 25.4 mm.

Ref #	Part Number	Qty	Description
1	127427		SUB= 140119
2	140551		BRACKET PVT SEAT
3	74760616		BOLT
4	19131610		WASHER PM
5	145006		CLIP.PUSH-IN.HING
6	73800600		NUT
7	124181X		SPRING COMPRESSIO
8	17490616		SCREW GTV
9	19131614		WASHER
10	140552		SUB= 155925
12	121246X		BRKT SWITCH
13	121248X		BUSHING
14	72050411		SUB= 872050411
15	134300		SPLIT SPACER
16	121250X		SPRING
17	123976X		SUB= 73900400
21	153236		"BOLT,SHOULDER"
22	73800500		NUT
23	74780814		BOLT
24	19171912		WASHER
25	127018X		"BOLT,SHOULDER"
26	10040800		LOCKWASHER



TRACTOR - - MODEL NUMBER 2H4D3B

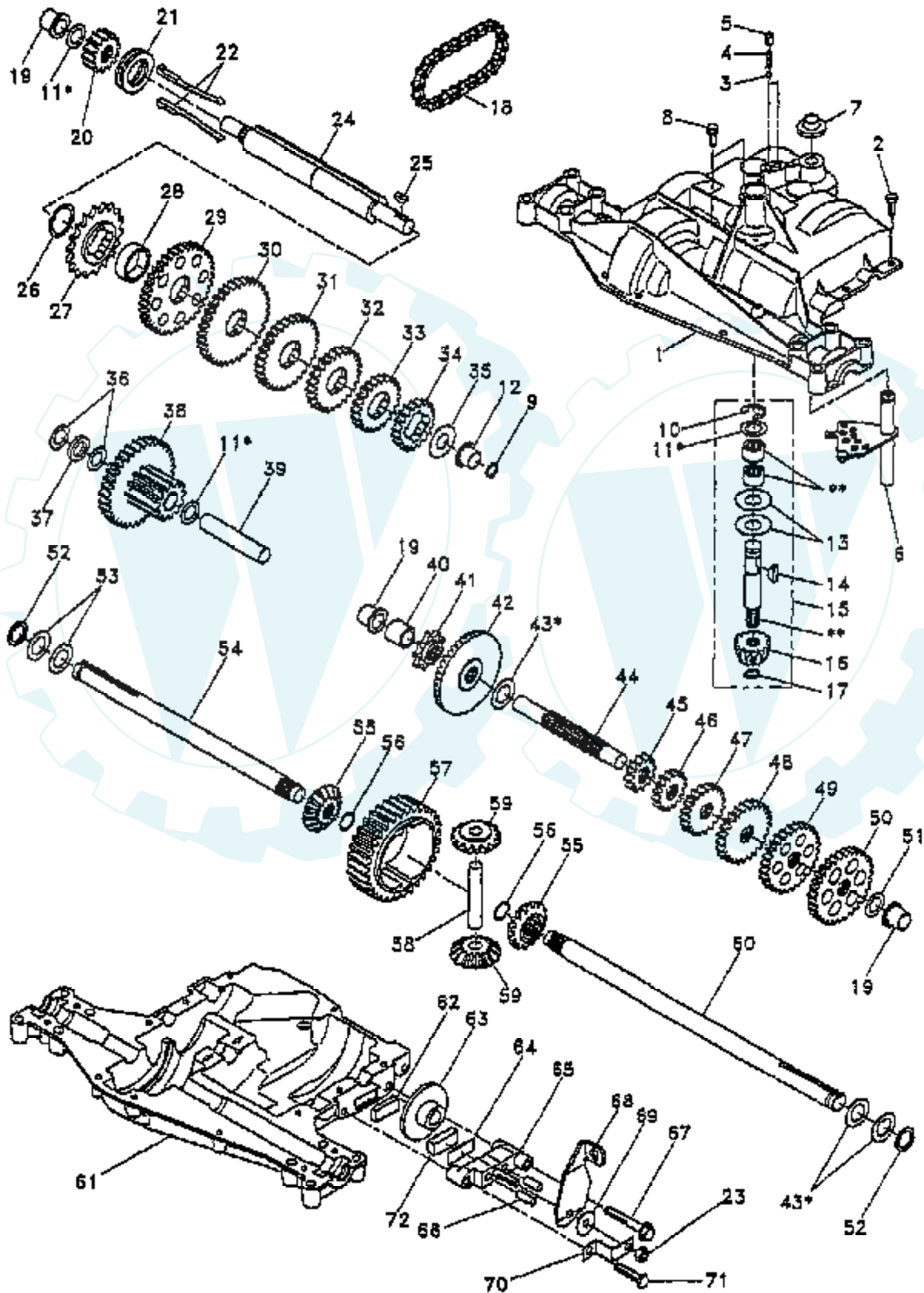
STEERING ASSEMBLY



Ref #	Part Number	Qty	Description
1	133741		SUB= 150547
2	142033		AXLE ASM FRONT
3	135227		SPINDLE LH
4	135228		SPINDLE RH
5	6266H		WASHER .T
6	121748X		WASHER
7	19272016		WASHER
8	12000029		RING
9	3366R		COL. SRTG. BEAR.
10	130468		SUB= 532130468
11	10040600		LOCKWASHER
12	73610600		SUB= 7810H
13	110438X		BEARING
14	74011056		BOLT HEX 5/8-11
15	73901000		"NUT-LOC,FLANGE LT"
16	132624		AXLE PIN
17	128758		STEERING SHAFT
18	57079		THRUST WASHER
19	124035X		SUPPORT.SHAFT
20	126684X		SUB= 532126684
21	10040400		LOCKWASHER
22	71100410		SCREW.SCKTHD.CAP
23	127501		SUB= 918127501
24	109816X		NYLINER T
25	124036X		"BRKT,STEERING"
26	126847X		BUSHING.DRAGLINK
27	136874		GEAR SECTOR
28	19131416		WASHER
29	17490612		SCREW
30	76020412		COTTER PIN
31	138171		BRKT.PVT.MAN.LVR.
32	130465		TIE ROD
36	145207		BUSHING.STRG.3/4
37	17541008		SCREW.10-24X1/2
38	133742		ST WHL INSERT CAP
39	100712K		WASHER
40	73940800		SUB= 73360800
41	100711L		ADAPTER LT
42	140216		BOOT SHAFT STEER
43	121749X		WASHER
45	106933X		KNOB T (1/2-HOLE)
46	121232X		CAP
47	6855M		ZERK M
48	146841		LEVER.ASM.CLUTCH
49	131291		LINK CLTCH W/NUTS
52	106451X		"BOLT, SHOULDER LT"
53	73680600		SUB= 73690600
62	149682		SUB= 156595

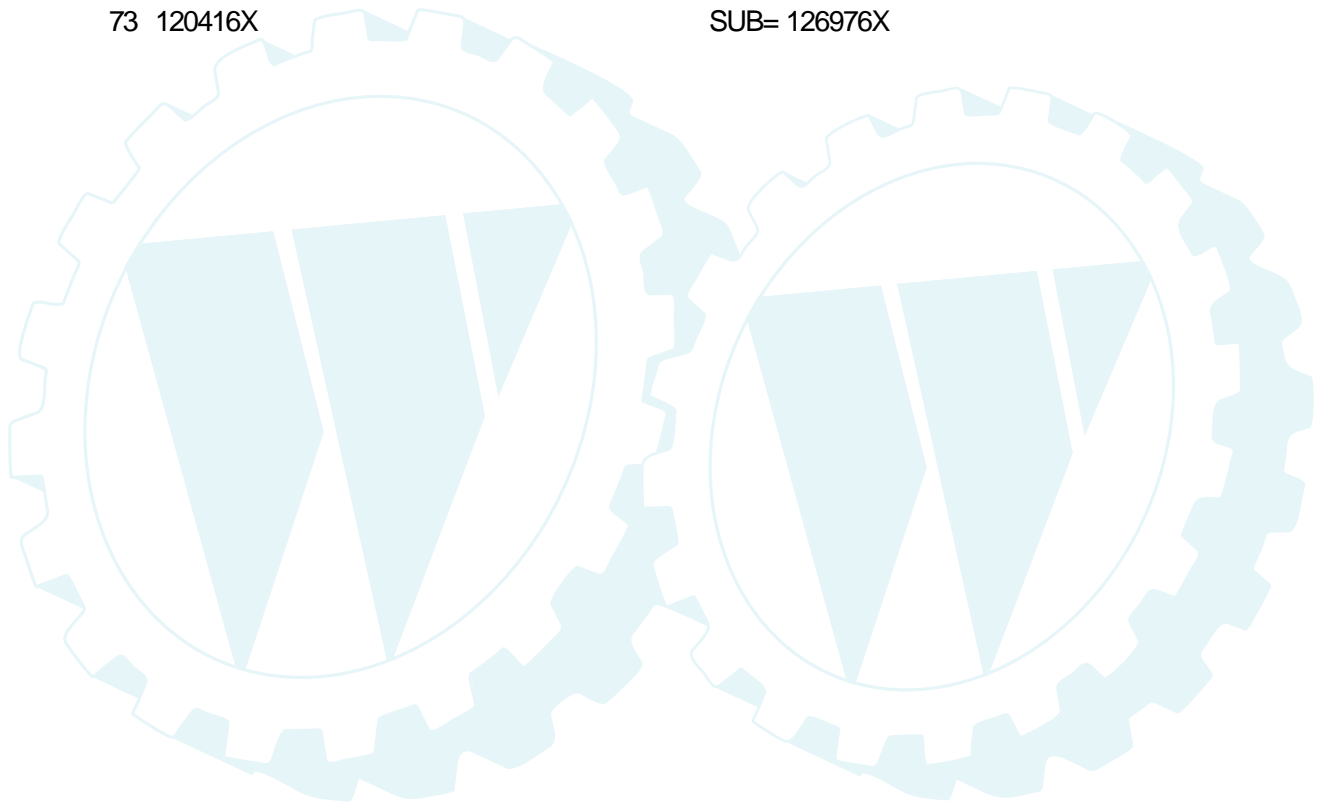
TRACTOR - - MODEL NUMBER 2H4D3B TRANSAXLE DANA - MODEL NUMBER 4360-79

TRANSAXLE

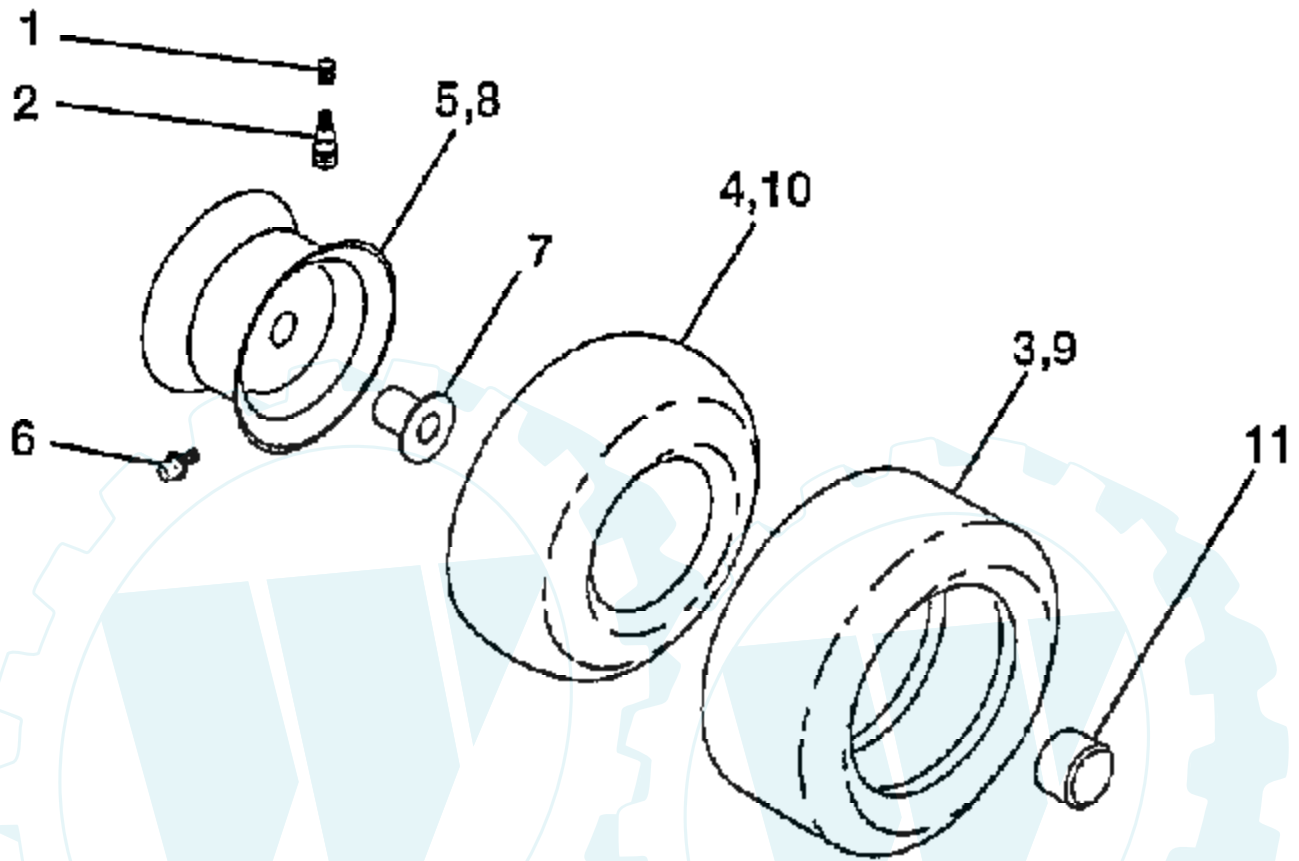


Ref #	Part Number	Qty	Description
1	142671		HOUSING UPPER TRN
2	2274J		SUB= 74760412
3	134400		SUB= 68003
4	105904X		"SPRING, DETENT LT"
5	105905X		"SCREW, SET LT"
6	138235		KIT SHIFTER ASM
7	134399		SHIFTER BOOT
8	134791		SCREW TAP W/SEAL
9	138241		SQUARE RING
10	142672		SUB= 2225J
11	134793		ASM KIT SHIM 4689
12	142673		BEARING FLAN-DANA
13	120415X		WASHER T
14	142674		KEY WOODRUFF-DANA
15	138234		AS KIT INPUT SHFT
16	110078X		PINION 14T T
17	105909X		"RING,RETAINING LT"
18	105910X		"CHAIN,24 PTCH LT"
19	105911X		BEARING.FLNG.5510
20	142675		GEAR SPUR 14 TTH
21	138246		COLLAR CLUTCH
22	138236		ASM KIT CLTCH KEY
23	73810500		NUT.LOCK.5/16-24
24	142676		SHAFT INTERM DANA
25	2244J		WOODRUFF KEY
26	105916X		"RING,RETAINING LT"
27	120470X		SPROCKET 18T T
28	110070X		SPACER YT
29	142677		GEAR SPUR 37 TTH
30	142681		GEAR SPUR 35 TTH
31	120405X		SUB= 124644X
32	108980X		GEAR 25T LT
33	120406X		GEAR SPUR 22 TT
34	134796		SPUR GEAR 19T
35	105925X		"WASHER, PLAIN LT"
36	2232J		WASHER 025
37	108978X		SPACER
38	110079X		ASSM GEAR COMB
39	124639X		SHAFT IDLER
40	120472X		SPACER T
41	105928X		SPROCKET 9T LT
42	110084X		SUB= 167148
43	134394		ASM KIT SHIM
44	120473X		SHAFT T
45	142678		GEAR SPUR 12 TTH
46	142679		GEAR SPUR 15 TTH
47	120407X		SUB= 124641X
48	106589X		"GEAR, SPUR 25T LT"
49	120408X		GEAR 28T T
50	105937X		"GEAR, SPUR 31T LT"
51	2226J		WASHER 060
52	134401		NEOPRENE WASHER
53	2264J		WASHER 031
54	120474X		SUB= 154658
55	110081X		GEAR 15T T
56	105941X		"RING,RETAINING LT"
57	110071X		SUB= 120478X
58	120952X		SHAFT T

Ref #	Part Number	Qty	Description
59	110082X		GEAR 1ST T
60	120475X		SUB= 154659
61	142680		HOUSING LOWER TNS
62	120961X		PUCK T
63	7294J		BRAKE DISC. T
64	108989X		SPACER LT
65	120953X		SUB= 918120953X
66	120954X		PIN T
67	134799		TAP SCREW
68	138244		SUB= 108992X
69	108996X		WASHER LT
70	120956X		NLA
71	106596X		"SCREW, TAPPING LT"
72	120951X		PUCK T
73	120416X		SUB= 126976X



WHEELS & TIRES



NOTE: All component dimensions given in U.S. inches
1 inch = 25.4 mm.

Ref #	Part Number	Qty	Description
1	59192		VALVE CAP
2	65139		VALVE STEM LT
3	106222X		SUB= 122073X
4	59904		TUBE.5.3/4.5/6
5	106732X427		"RIM ASM 6"" FRT"
6	278H		FITTING LT
7	9040H		"FLANGE, BEARING"
8	106108X427		"RIM AS 8"" REAR"
9	124635X		SUB= 126957X
10	7152J		TUBE.18X9.5-8
11	104757X		HUB CAP
	144334		SEALANT.TIRE 10 OZ. TUBE

