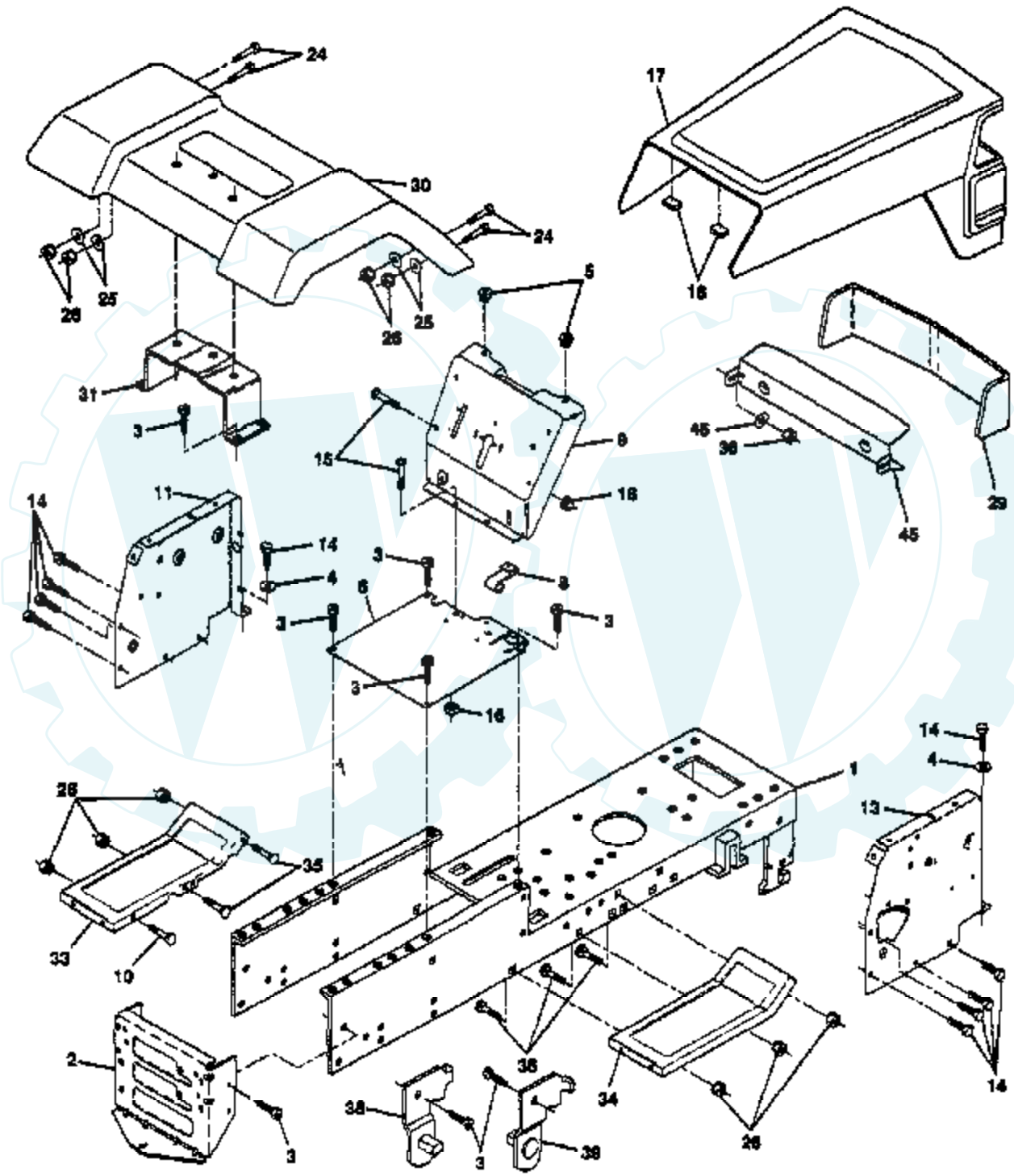


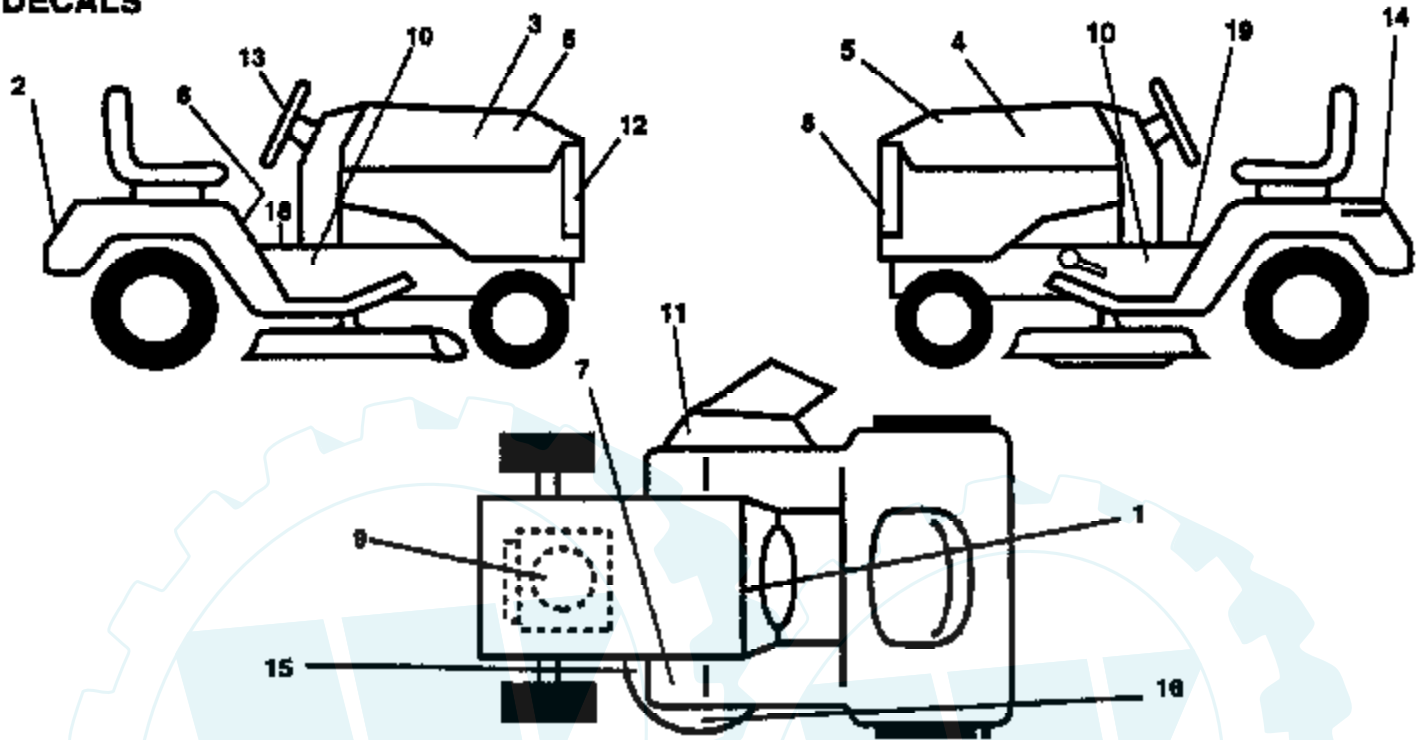
### TRACTOR - - MODEL NUMBER 2H4B6B CHASSIS AND ENCLOSURES



Ref #	Part Number	Qty	Description
1	145501		CHASSIS.WLD.11GA
2	140356		SUB= 145009
3	17490612		SCREW
4	19131216		WASHER
5	146077		SUB= 155272
6	145206		SUB= 145206X431
8	126471X		"CLIP,INSULATOR"
9	146757X011		DASH.SLKSC.LT.1PC
10	72140608		SUB= 72110608
11	135464		DASH PANEL LH
13	124031X012		SUB= 155934X010
14	17490608		SCREW LT
15	74180512		SCREW
16	73510500		NUT
17	133956X505		HOOD/GRILL ASM
18	126938X		SUB= 532126938
24	74780616		BOLT
25	19131312		WASHER
26	73800600		NUT
29	133805		SUB= 133954
30	140001X505		FENDER PNT LT
31	136619		BRKT FENDER
33	105476X505		FOOTREST LH
34	105475X505		FOOTREST RH
35	72110606		BOLT
36	108067X		PAL NUT LT
38	139886		BRACKET ASM LH
39	139887		BRACKET ASM RH
45	132257		SUB= 918132257
46	127316X		RETAINER
	5479J		PLUG BUTTON T

### TRACTOR - - MODEL NUMBER 2H4B6B

#### DECALS

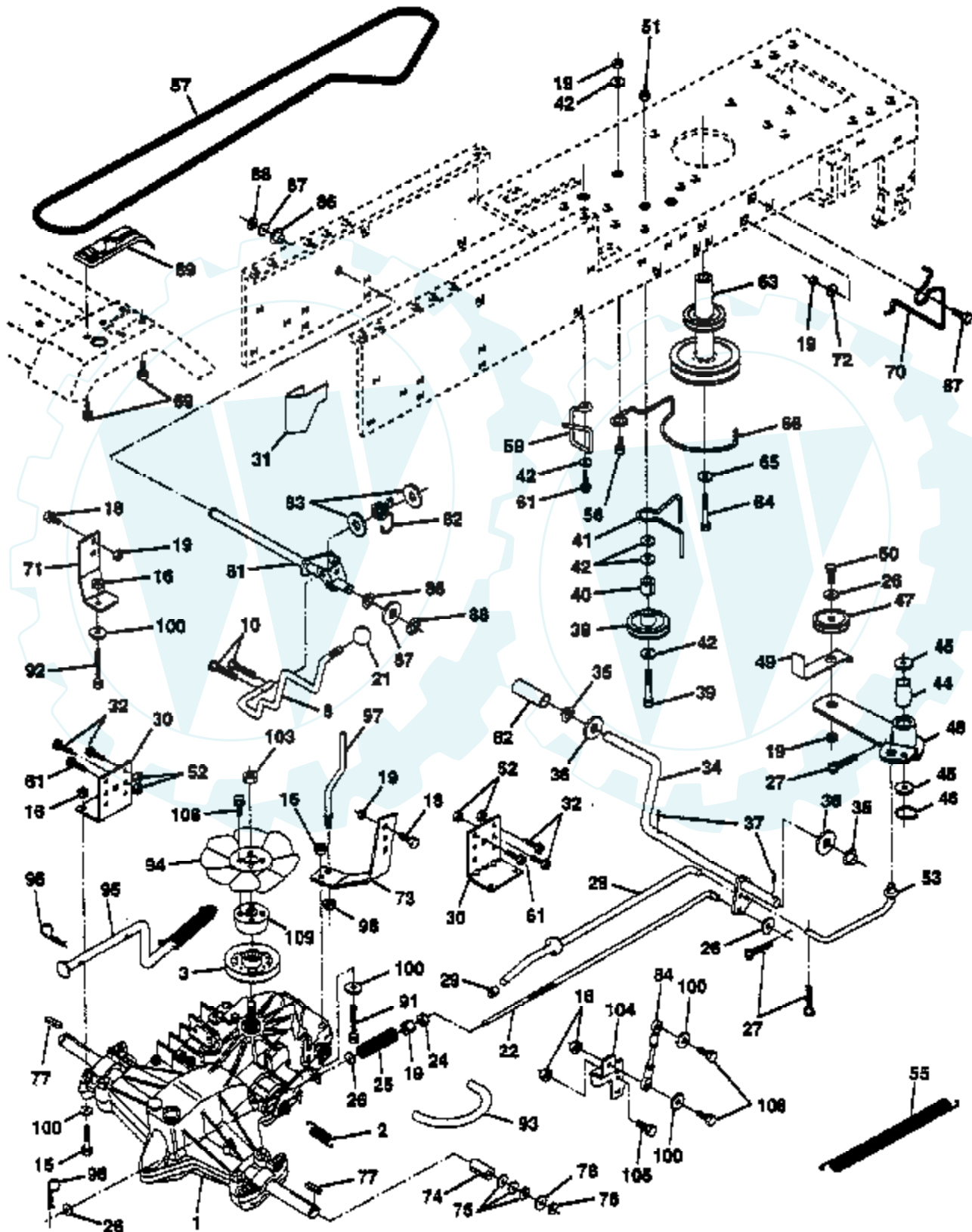


**NOTE:** All component dimensions given in U.S. inches  
1 inch = 25.4 mm

Ref #	Part Number	Qty	Description
1	138956		DECAL.DASH.INSTR.
2	132628		FENDER DECAL
3	141745		DECAL HOOD RH RLY
4	141746		DECAL HOOD LH RLY
5	135866		NLA
6	133795		DECAL CAUTION
7	101892X		DECAL T
8	129823		NLA
9	138652		DECAL.ENG.272632
10	141801		DECAL CHAS 42 HYD
11	137259		"DECAL, WARNING"
12	132627		GRILL DECAL
13	127075		"DECAL,STR WHL"
14	121549X		DECAL
15	136832		DECAL
16	135013		NLA
18	142337		DECAL SADL HYDRO
19	140837		DECAL BRAK PARK
	138311		DECAL HANDLE LIFT
	142341		DECAL DRAWBAR LH
	145278		MANUAL.OP.GENERIC
	148277		MAN.PTS.2H4B6B
	LBD48		SNOW BLADE
	LSB42		SNOW THROWER
	C42		GRASS CATCHER
	LC05		WHEEL WTS.
	LA018		TIRE CHAINS
	MK420		MULCHING KIT W/BLADES

# TRACTOR -- MODEL NUMBER 2H4B6B

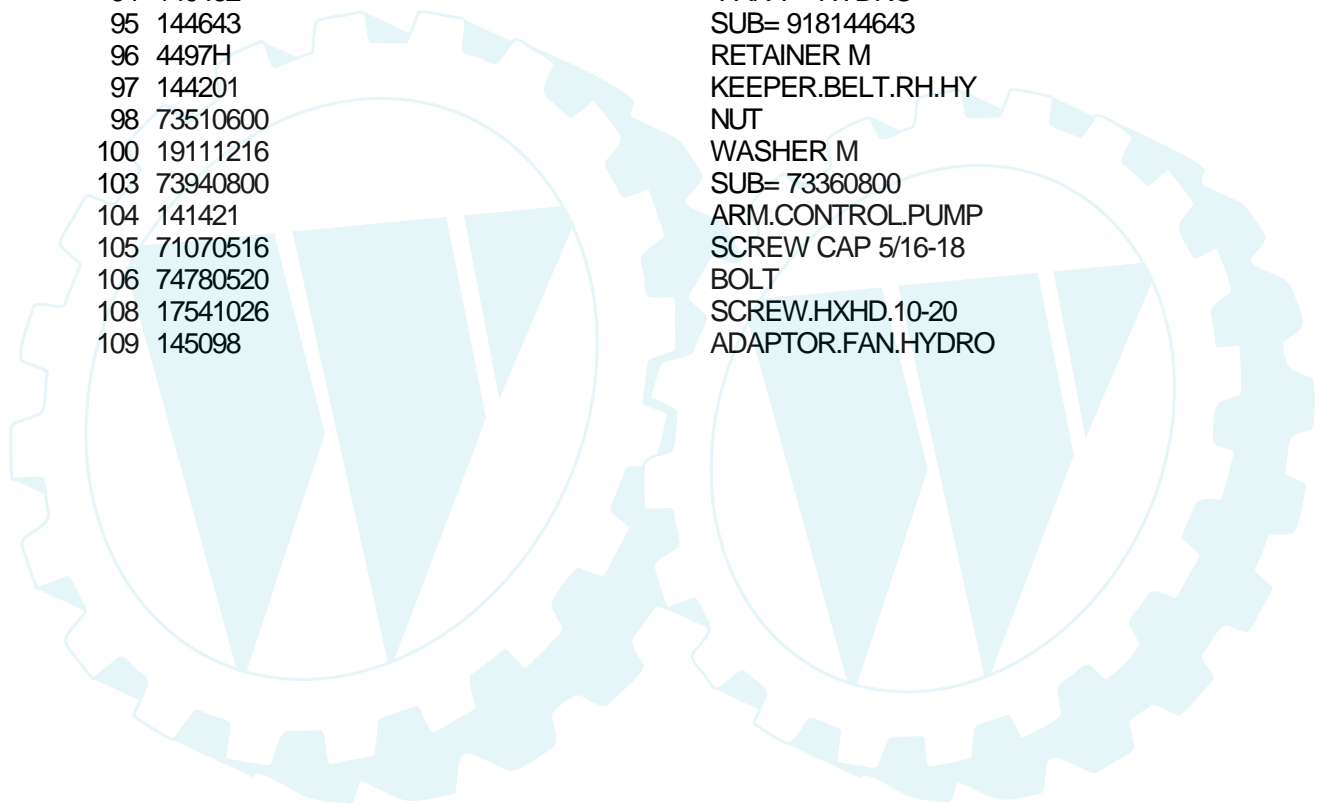
## DRIVE





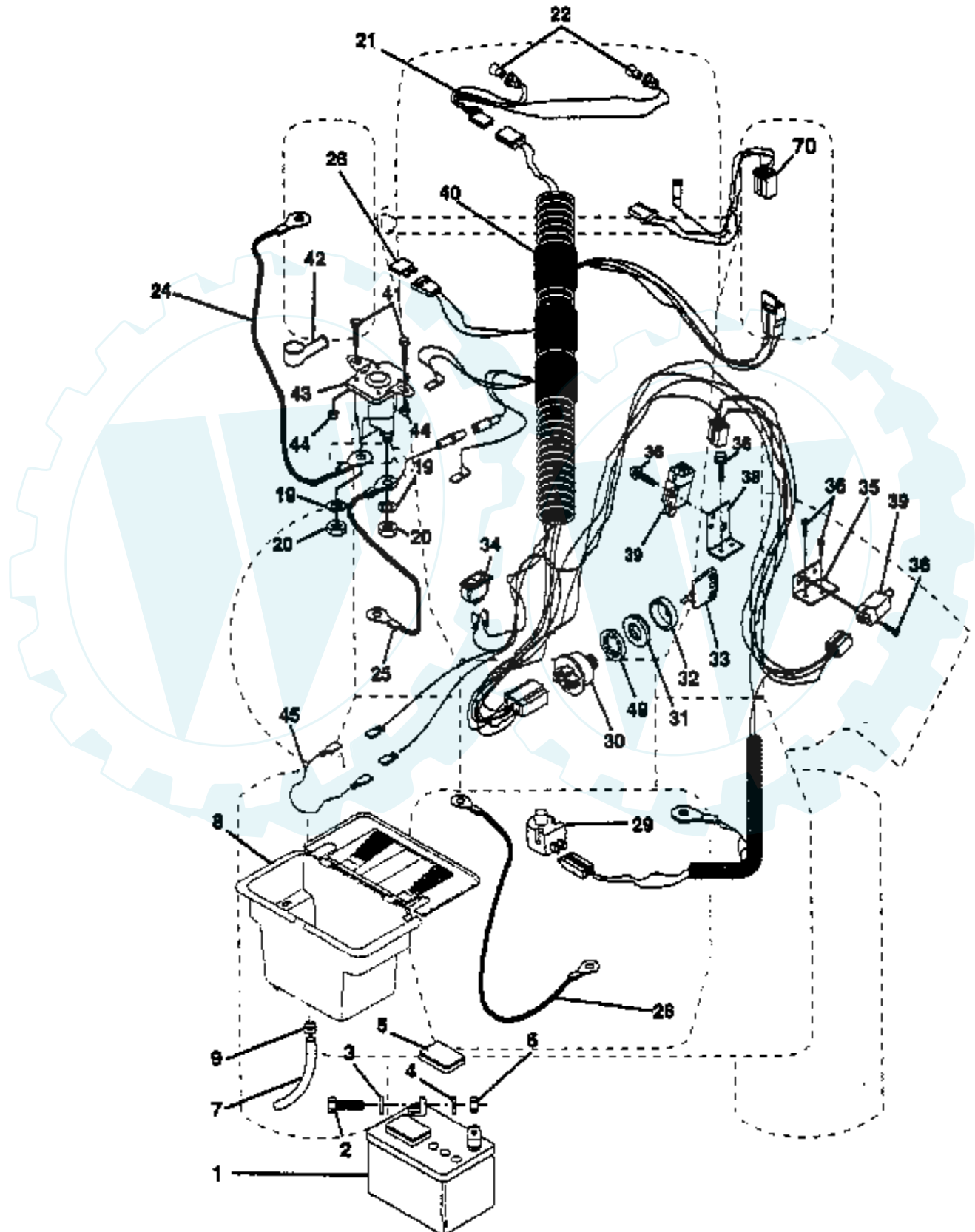
Ref #	Part Number	Qty	Description
1	140607		TRANSAXLE HYD 0319-0500
2	142431		SPRING RET BRAKE
3	144698		PULLEY.4.20.HYDRO
8	141003		ROD SHIFT FEND LT
10	76020416		PIN COTTER 1/8
15	74780544		BOLT HEX
16	73800500		NUT
18	74780616		BOLT
19	73800600		NUT
21	106933X		KNOB T (1/2-HOLE)
22	145627		ROD.BRAKE.HYDRO.
24	73350600		NUT
25	106888X		SPRING ROD LT
26	19131316		WASHER
27	76020412		COTTER PIN
28	145204		ROD.BRAKE.PARK.LT
29	71673		PLUNGER CAP T
30	130807		TRANSAXLE MTG BKT
31	127275X		"KEEPER,BELT LH T"
32	74760512		BOLT
34	122424X		SUB= 149001
65	120183X		NYLON BEARING
36	19211616		WASHER LT
37	1572H		SUB= 2882J
38	123674X		PULLEY.IDLER.FLAT
39	74760644		BOLT
40	4470J		SPACER T
41	109070X		BELT KEEPER LT
42	19131312		WASHER
44	105706X		"LY, BEARING"
45	110812X		WASHER LT
46	12000039		KLIP RING
47	127783		SUB= 139245
48	123789X		ARM IDLER
49	123205X		RETAIN BELT
50	74760624		SUB= 74930624
51	73680600		SUB= 73690600
52	73680500		SUB= 73690500
53	105710X		"LINK, CLUTCH T"
55	105709X		"SPRING, RETURN LT"
56	74760620		SUB= 74780620
57	141416		BELT-V.HYDR.84.61
59	140312		KEEPER BELT CNTSP
61	17490612		SCREW
62	8883R		PEDAL COVER T
63	140186		PULLEY.ENGINE
64	71170764		BOLT
65	10040700		LOCKWASHER
67	74760616		BOLT
66	129921		KEEPER.BELT.ENG.L
69	142432		SCREW HEXWSH H-L
70	134683		KEEPER BELT ENG
71	141417		STRAP.TORQ.LH.HYD
72	19132012		WASHER
73	141418		STRAP.TORQ.RH.HYD
74	121199X		SPACER SPLIT
75	121749X		WASHER
76	12000001		E-RING LT

Ref #	Part Number	Qty	Description
77	123583X		SQUARE KEY
78	121748X		WASHER
81	141420		SHAFT.CROSS.HYD
82	123782X		"SPRING,TORSION"
83	19171216		WASHER
84	141423		ROD.TIE.BALL.HYD.
86	71208		BUSHING
87	19212016		WASHER D
88	12000008		KLIP RING
89	139988		SUB= 153764
91	74780536		NLA
92	74780524		HEX BOLT
93	142564		"LINE FUEL HYD 4""
94	140462		"FAN 7"" HYDRO"
95	144643		SUB= 918144643
96	4497H		RETAINER M
97	144201		KEEPER.BELT.RH.HY
98	73510600		NUT
100	19111216		WASHER M
103	73940800		SUB= 73360800
104	141421		ARM.CONTROL.PUMP
105	71070516		SCREW CAP 5/16-18
106	74780520		BOLT
108	17541026		SCREW.HXHD.10-20
109	145098		ADAPTOR.FAN.HYDRO



### TRACTOR - - MODEL NUMBER 2H4B6B

### ELECTRICAL

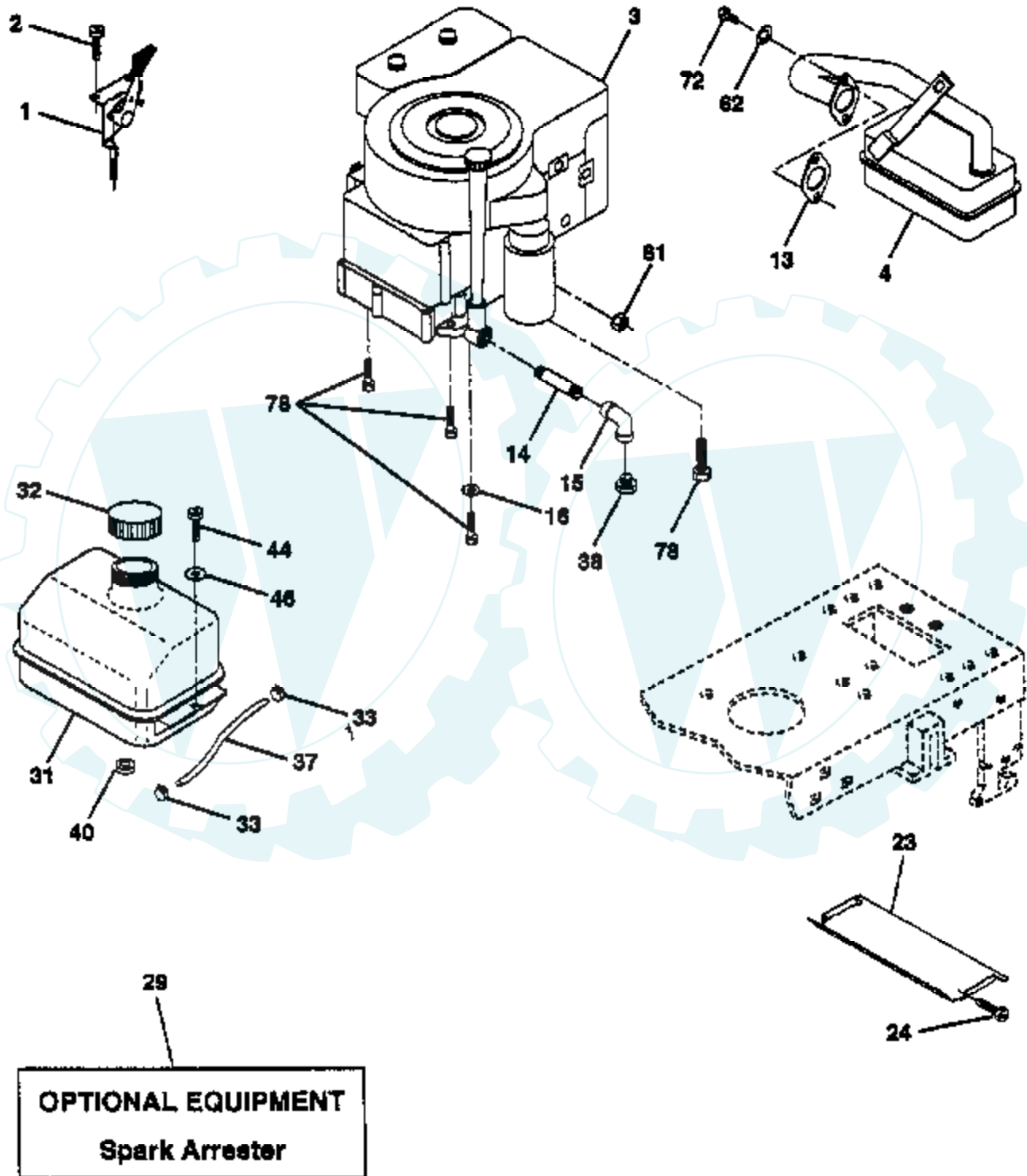




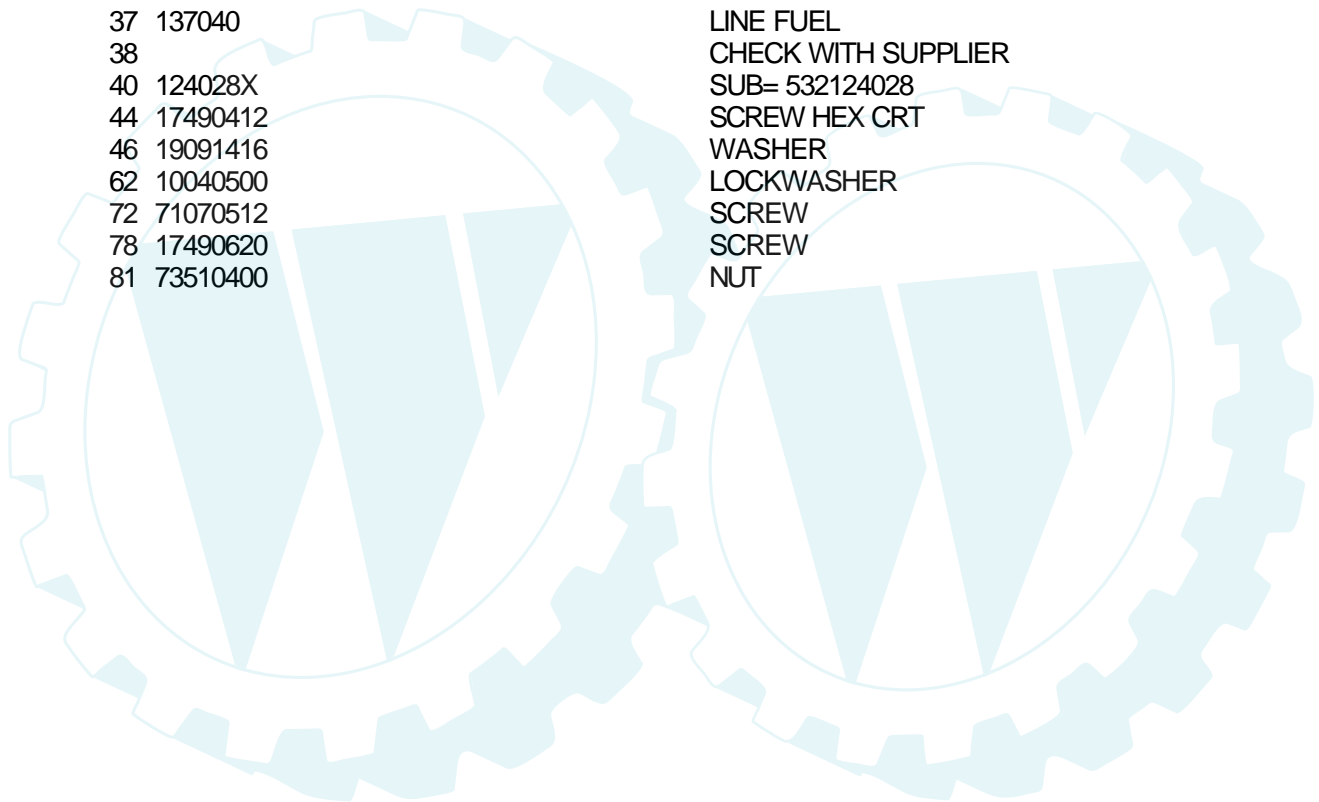
Ref #	Part Number	Qty	Description
1	121265X		SUB= 123899X
2	74760412		BOLT LT
3	19091016		WASHER
4	10040400		LOCKWASHER
5	121264X		"CAP,BATTERY "
6	73220400		SUB= 50675
7	109238X		TUBE T
8	129965		SUB= 156417
9	109596X		HOSE CLAMP T
19	10090400		SUB= 10040400
20	73350400		NUT
21	136850		"HARNES,LIGHT SOC"
22	4152J		HEADLAMP BULB
24	4799J		"CABLE T, BATTERY"
25	146147		CABLE.BTRY.6GA.RD
28	108824X		FUSE HYT
28	4207J		CABLE T
29	121305X		SWITCH SEAT
30	144921		SUB= 163088
31	140400		SUB= 145774
32	141226		COVER KEY SWITCH
33	140401		KEY MLD GEN DELTA
34	110712X		SWITCH LT
35	108236X		BRACKET LT
36	17021008		SCREW
38	140336		BRACKET SWITCH IN
39	109553X		SWITCH INTERLOCKT
40	146057		HARNES.IGN.DASH.
41	71110412		BOLT.HX.1/4-20
42	131563		SUB= 154336
43	145673		SUB= 146154
44	73510400		NUT
45	140844		ADAPTER AMMETER
49	11151000		LOCKWASHER
70	140413		HARNES ENG DUAL

### TRACTOR -- MODEL NUMBER 2H4B6B

#### ENGINE

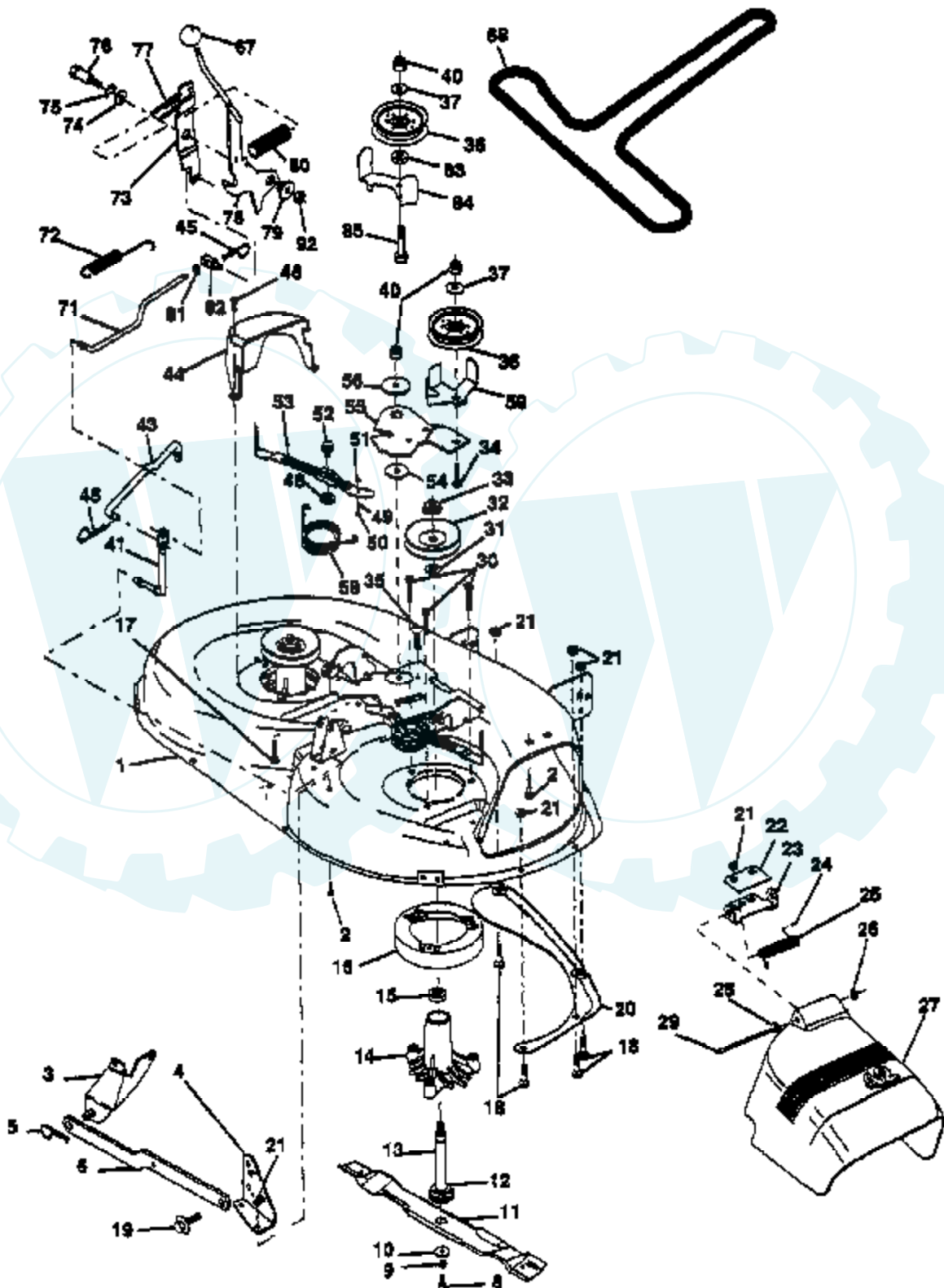


Ref #	Part Number	Qty	Description
1	132771		THROTTLE CONTROL
2	17720410		SCREW LT
3	289707		ENGINE B&S
4	137348		MUFFLER
13	125593X		SUB= 272293
14	13280324		PIPE NIPPLE
15	13200300		ELBOW
16	11050600		LOCKWASHER
23	128953		HEAT SHIELD
24	17021008		SCREW
29	137180		SUB= 532137180
31	109202X		TANK.FUEL.LT.
32	140527		CAP ASM FUEL
33	123487X		HOSE CLAMP
37	137040		LINE FUEL
38			CHECK WITH SUPPLIER
40	124028X		SUB= 532124028
44	17490412		SCREW HEX CRT
46	19091416		WASHER
62	10040500		LOCKWASHER
72	71070512		SCREW
78	17490620		SCREW
81	73510400		NUT



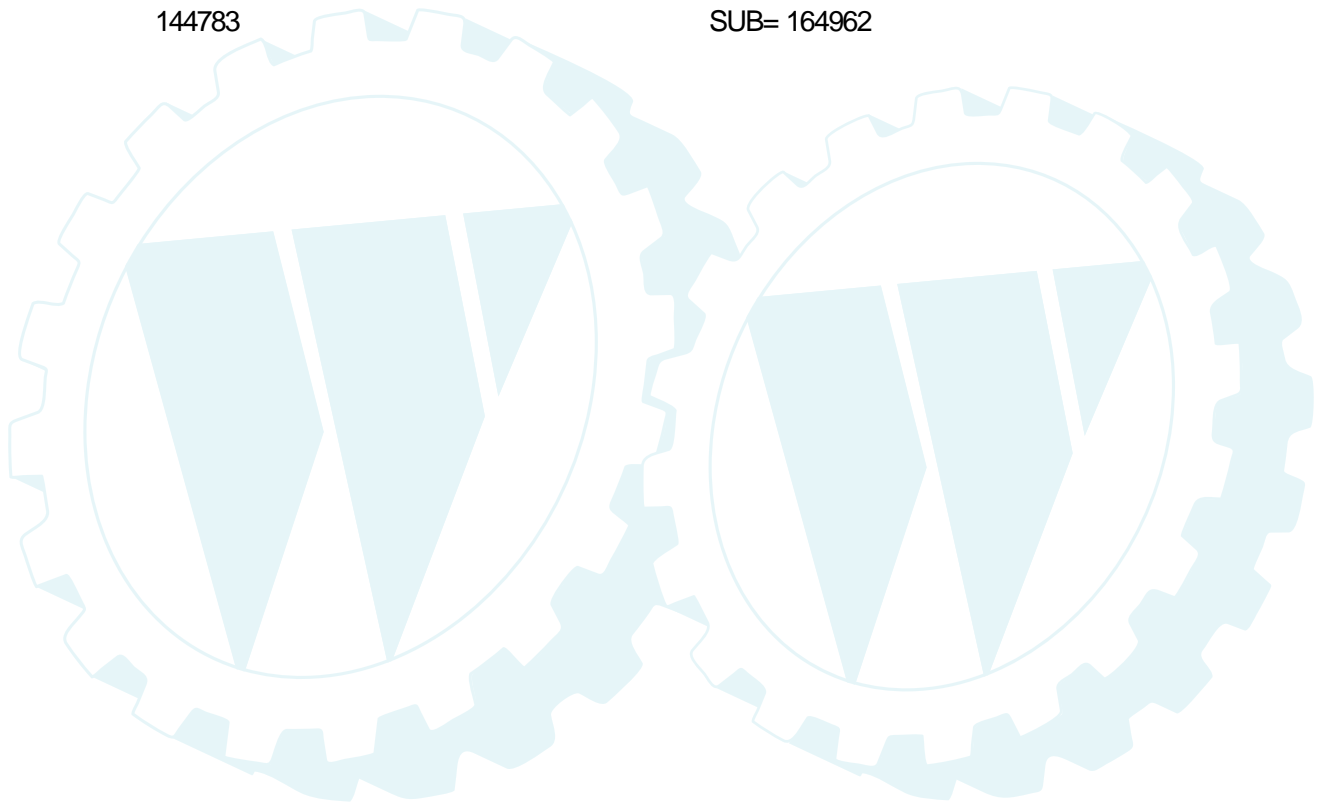
### TRACTOR -- MODEL NUMBER 2H4B6B

#### MOWER DECK



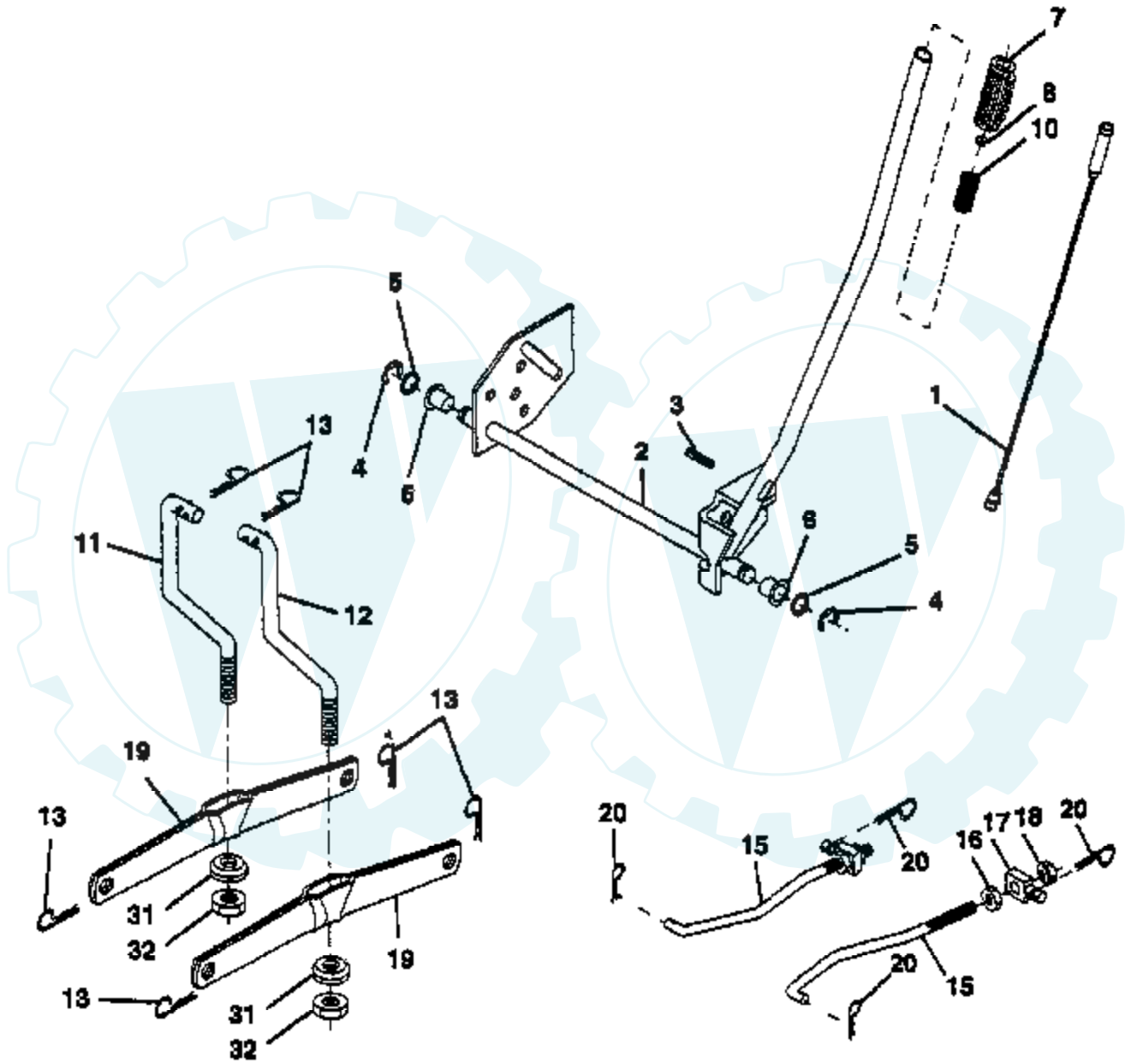
Ref #	Part Number	Qty	Description
1	144393		DECK.WELD.42.
2	72140506		BOLT
3	138017		BRKT ASM SWAY BAR
4	138440		BRKT DECK SW BAR
5	4939M		SUB= 85902
6	130832		SUB= 130833
8	850857		BLADE BOLT
9	10030600		SUB= 10040600
10	140296		WASHER.HARD.BLADE
11	138498		"BLADE.42"" HIPERF"
12	129895		BEARING.BALL
13	137645		SUB= 137646
14	128774		HSG ASM MANDREL
15	110485X		BEARING
16	140329		STRIPPER RND MWR
17	72110610		BOLT RDHD 3/8-16
18	72140505		BOLT
19	132827		BOLT SHD 5/16-18
20	136888		SUB= 918136888
21	73680500		SUB= 73690500
22	134753		STIFFENER BRKT
23	131267		DEFLECTOR BRKT
24	105304X		CAP-SLEEVE LT
25	123713X		SPRING TORSION
26	110452X		NUT PUSH M
27	130968		DEFLECTOR.SHIELD
28	19111016		WASHER
29	131491		HINGE ROD
30	138776		SUB= 157722
31	129963		WASHER
32	129861		SUB= 153535
33	137266		SUB= 139729
34	72110614		BOLT
35	133835		XMAS TREE FASTNER
36	131494		FLAT IDLER PULLEY
37	19131316		WASHER
40	73680600		SUB= 73690600
41	133551		PIVOT ROD
43	140083		ROD CLUTCH W/NIBS
44	140088		GUARD MAND LH BLK
45	4497H		RETAINER M
46	137729		SCREW.1/4-20X5/8
48	133944		HARD SMALL WASHER
49	133940		SUB= 151785
50	131340		SHOULDER BOLT
51	69180		LOCKNUT
52	139888		BOLT.SHLD.5/16-18
53	131845		BRAKE PAD ARM ASM
54	133943		HARDENED WASHER
55	140084		SUB= 151785
56	122052X		SPACER RETAINER
58	140086		SPRING TORSN BRAK
59	141043		GUARD IDLER TUV
67	106932X		KNOB T(3/8 HOLE)
68	144200		BELT.V.T-PATH
71	142427		ROD CLUTCH 38/42
72	131870		RETURN SPRING
73	127847		CLUTCH ARM SECOND

Ref #	Part Number	Qty	Description
74	121748X		WASHER
75	12000029		RING
76	128903		SHOULDER BOLT
77	127845		SPRING KEEPER
78	140334		SUB= 154810
79	127498		BUSHING
80	128759		SUB= 918128759
81	73350600		NUT
82	142028		TRUNION ADJ
83	120958X		WASHER
84	144394		SUB= 156084
85	72140620		BOLT
92	73800600		NUT
	130794		MANDREL ASM
	144783		SUB= 164962

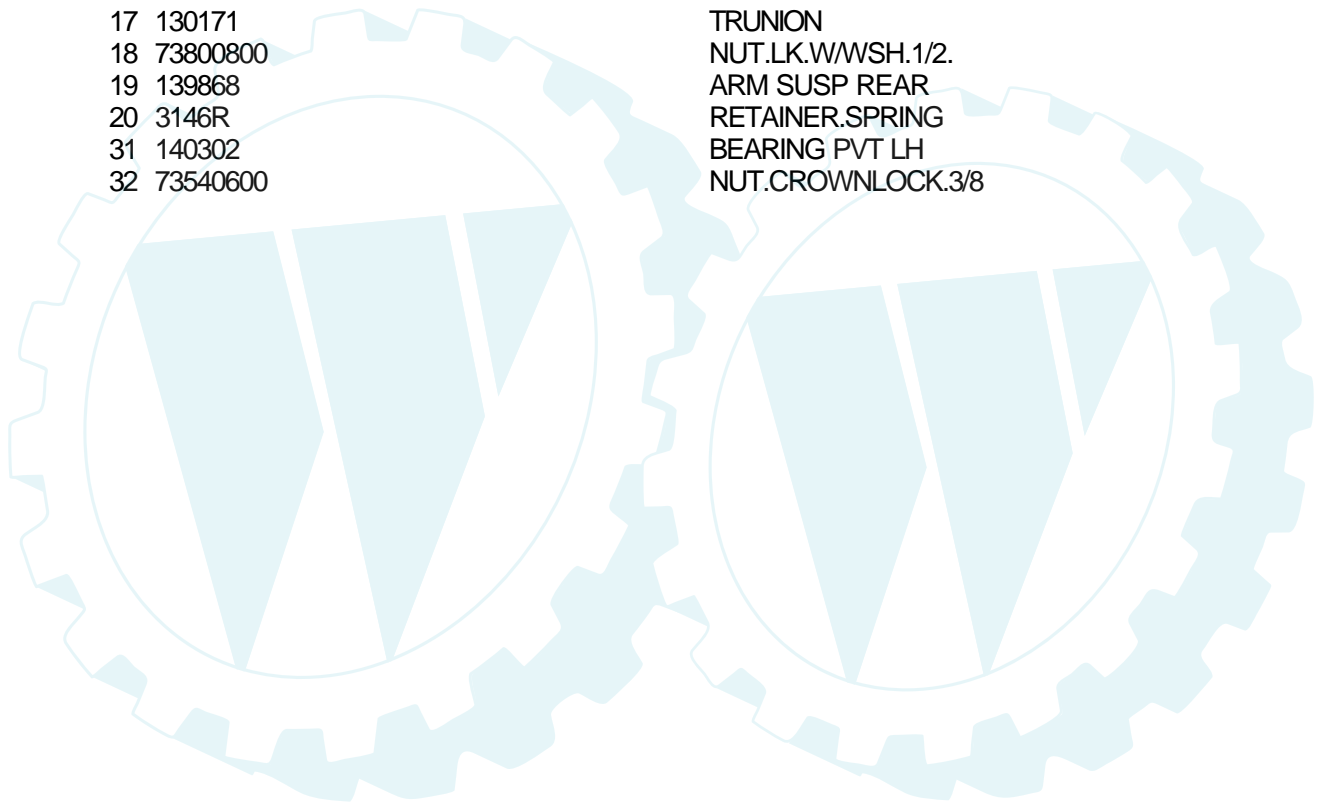


**TRACTOR - - MODEL NUMBER 2H4B6B**

**MOWER LIFT**



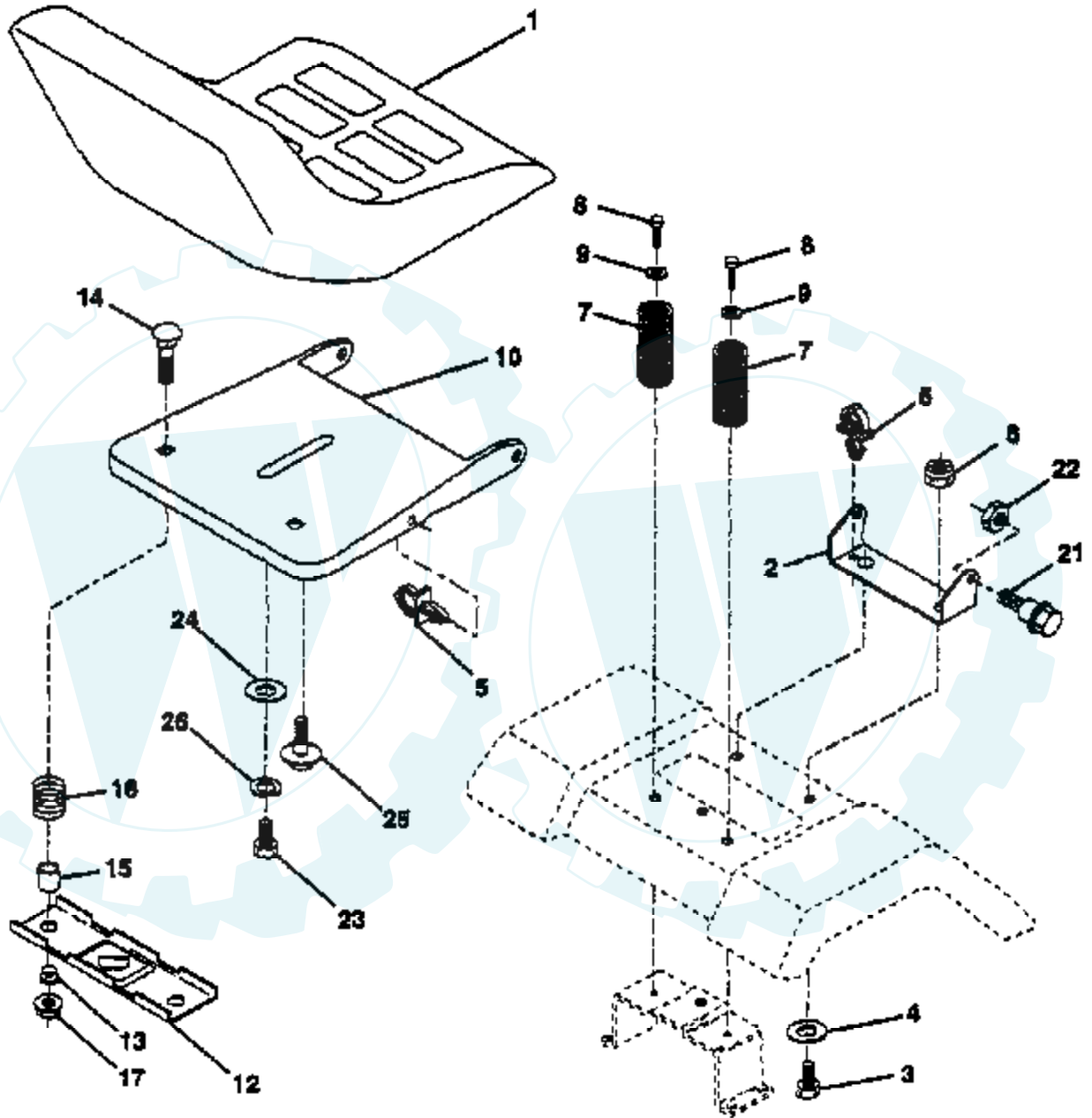
Ref #	Part Number	Qty	Description
1	136973		WIRE ASM
2	122507X		SUB= 145117
3	105767X		PIN-GROOVE LT
4	12000002		SUB= 2225J
5	19211621		WASHER
6	120183X		NYLON BEARING
7	109413X		GRIP
8	124526X		SUB= 125925X
10	122512X		SUB= 532122512
11	139865		SUB= 918139865
12	139866		SUB= 151140
13	4939M		SUB= 85902
15	127218		LINK.FRONT
16	73350800		NUT
17	130171		TRUNION
18	73800800		NUT.LK.W/WSH.1/2.
19	139868		ARM SUSP REAR
20	3146R		RETAINER.SPRING
31	140302		BEARING PVT LH
32	73540600		NUT.CROWNLOCK.3/8





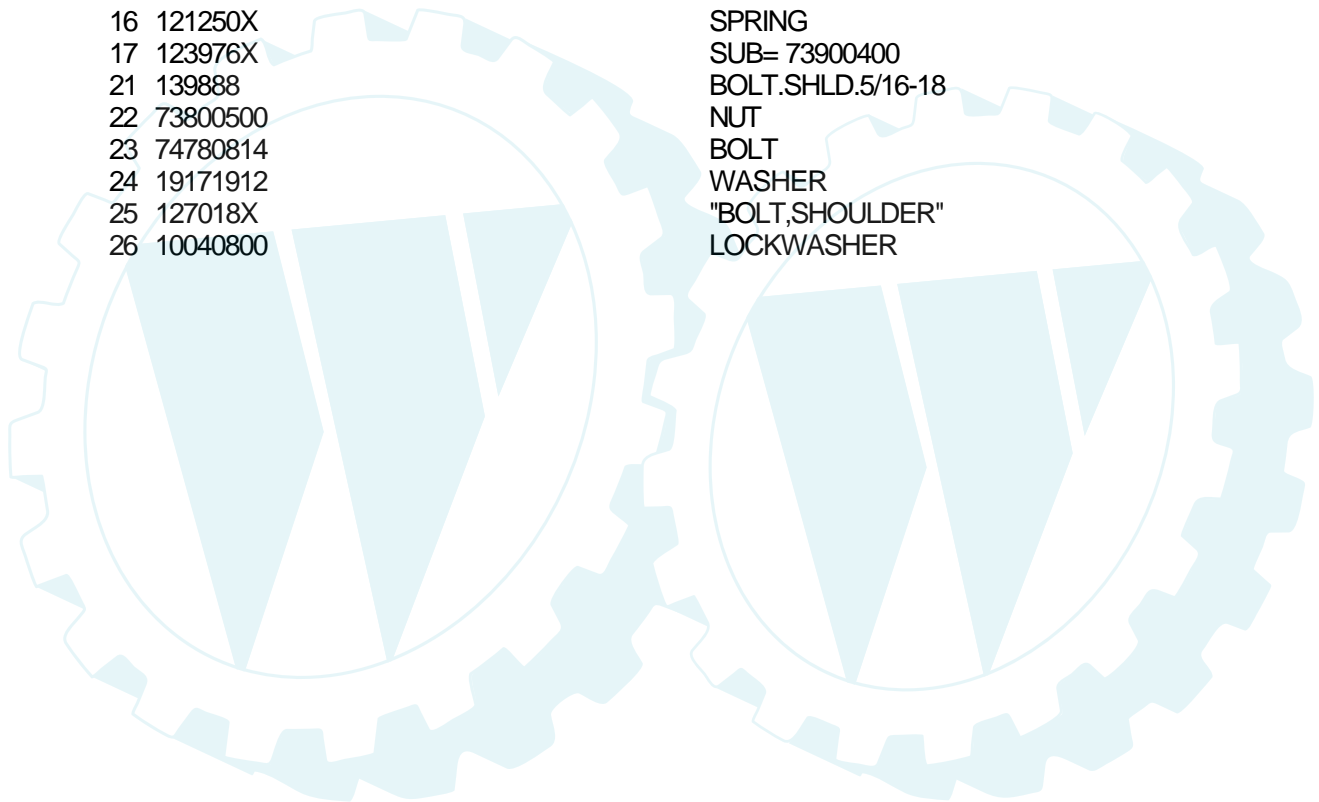
# TRACTOR - - MODEL NUMBER 2H4B6B

## SEAT



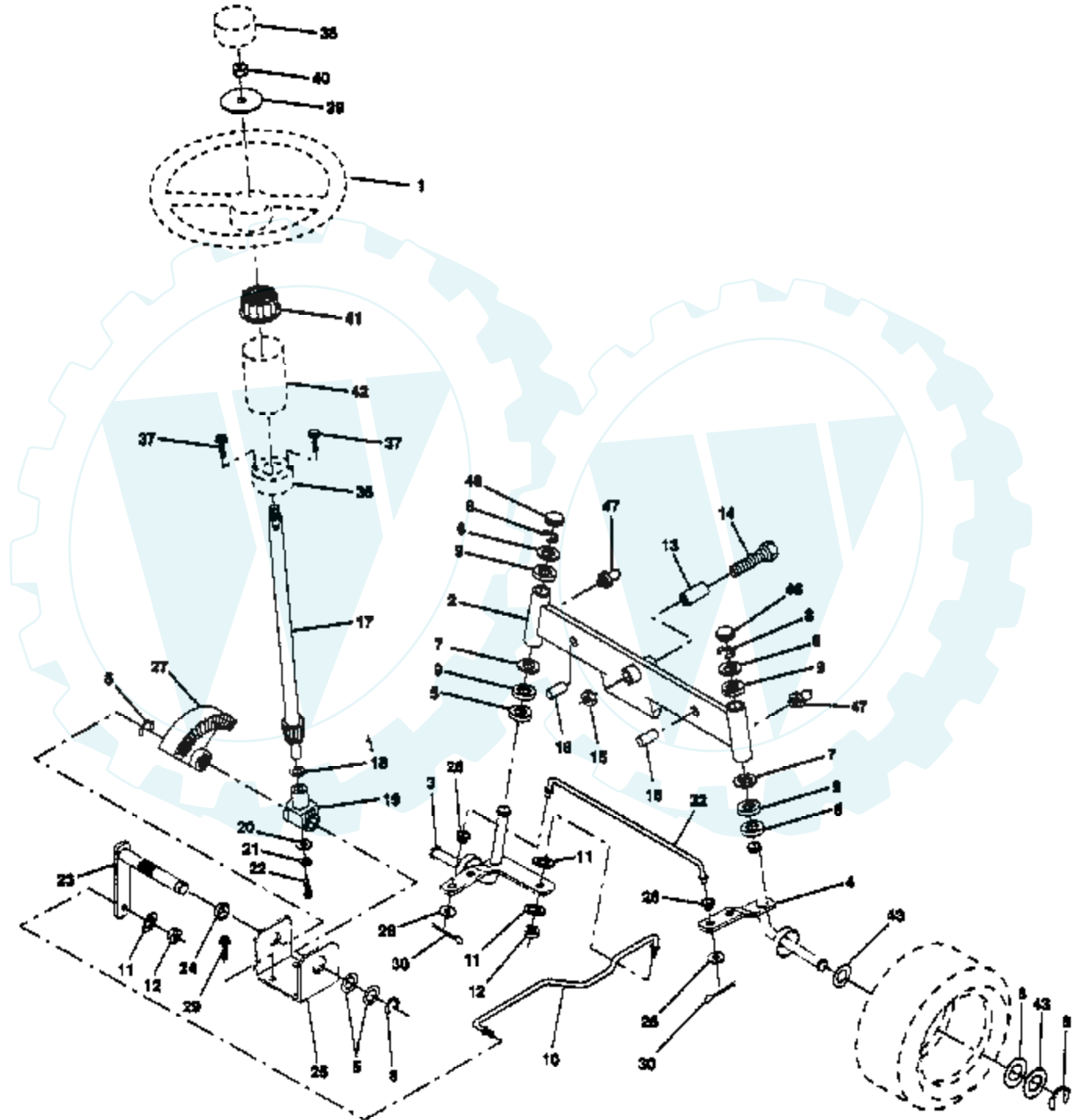
**NOTE:** All component dimensions given in U.S. inches  
1 inch = 25.4 mm

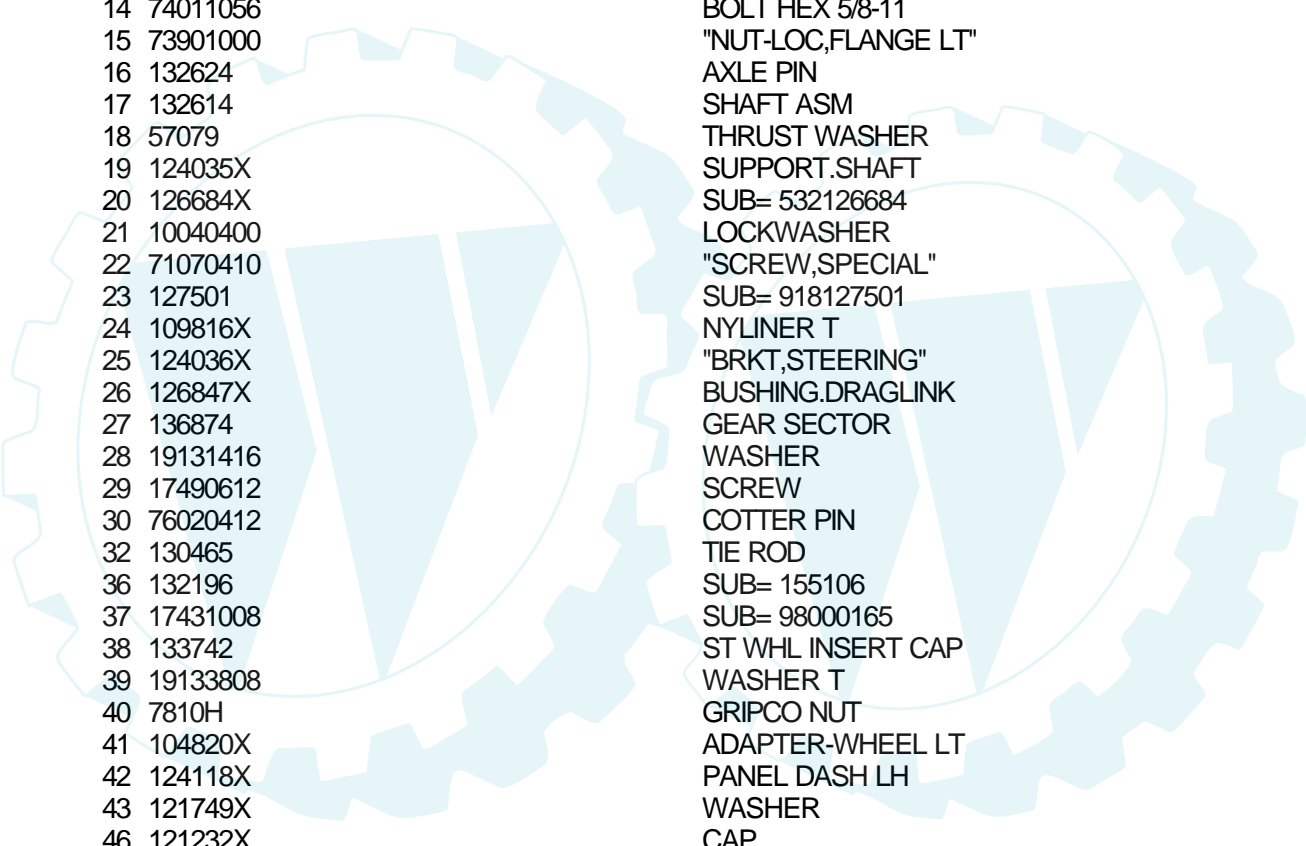
Ref #	Part Number	Qty	Description
1	127428		SUB= 140119
2	140551		BRACKET PVT SEAT
3	74760616		BOLT
4	19131610		WASHER PM
5	145006		CLIP.PUSH-IN.HING
6	73800600		NUT
7	124181X		SPRING COMPRESSIO
8	17490616		SCREW GTV
9	19131614		WASHER
10	140552		SUB= 155925
12	121246X		BRKT SWITCH
13	121248X		BUSHING
14	72050411		SUB= 872050411
15	134300		SPLIT SPACER
16	121250X		SPRING
17	123976X		SUB= 73900400
21	139888		BOLT.SHLD.5/16-18
22	73800500		NUT
23	74780814		BOLT
24	19171912		WASHER
25	127018X		"BOLT,SHOULDER"
26	10040800		LOCKWASHER



## TRACTOR - - MODEL NUMBER 2H4B6B

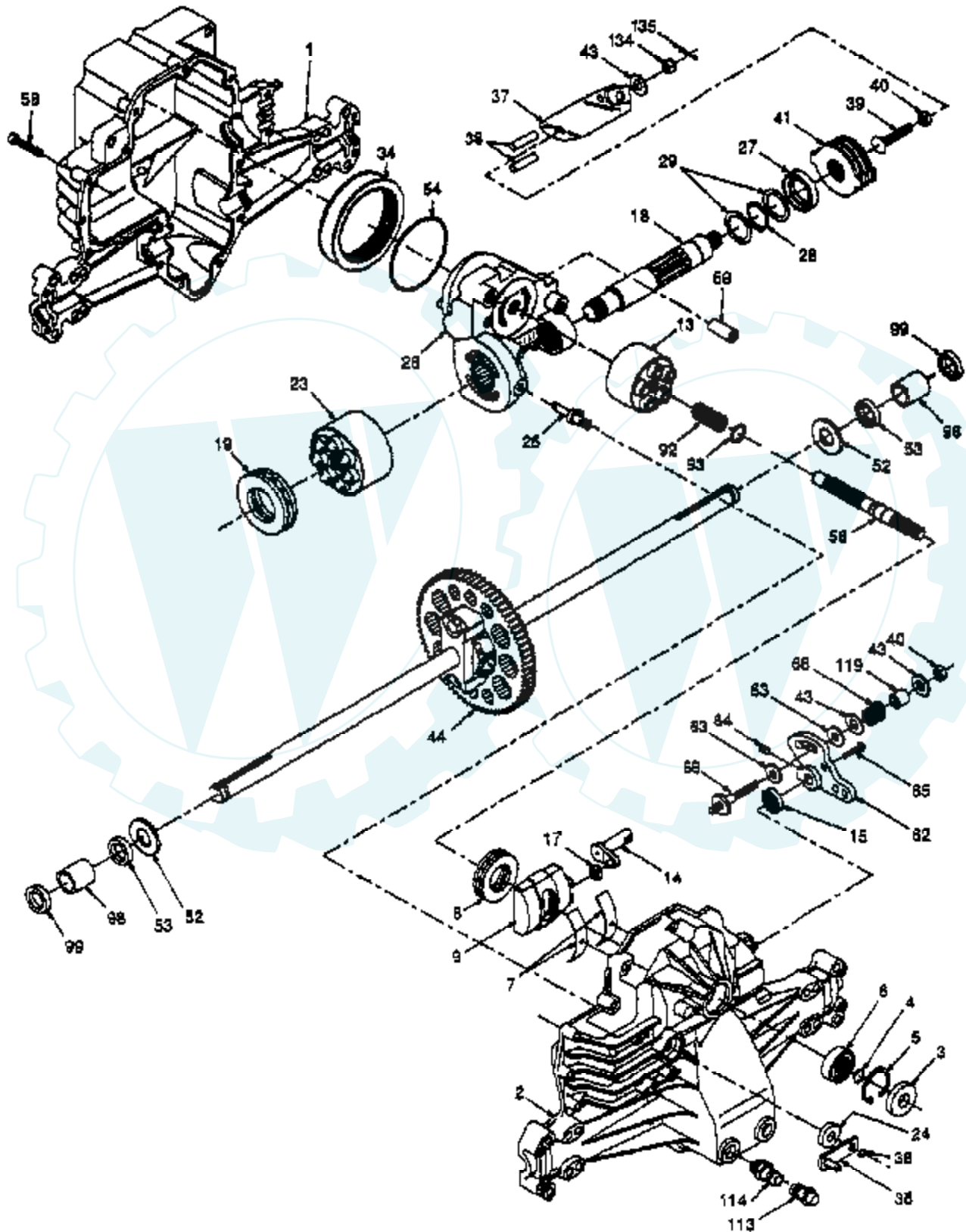
### STEERING WHEEL

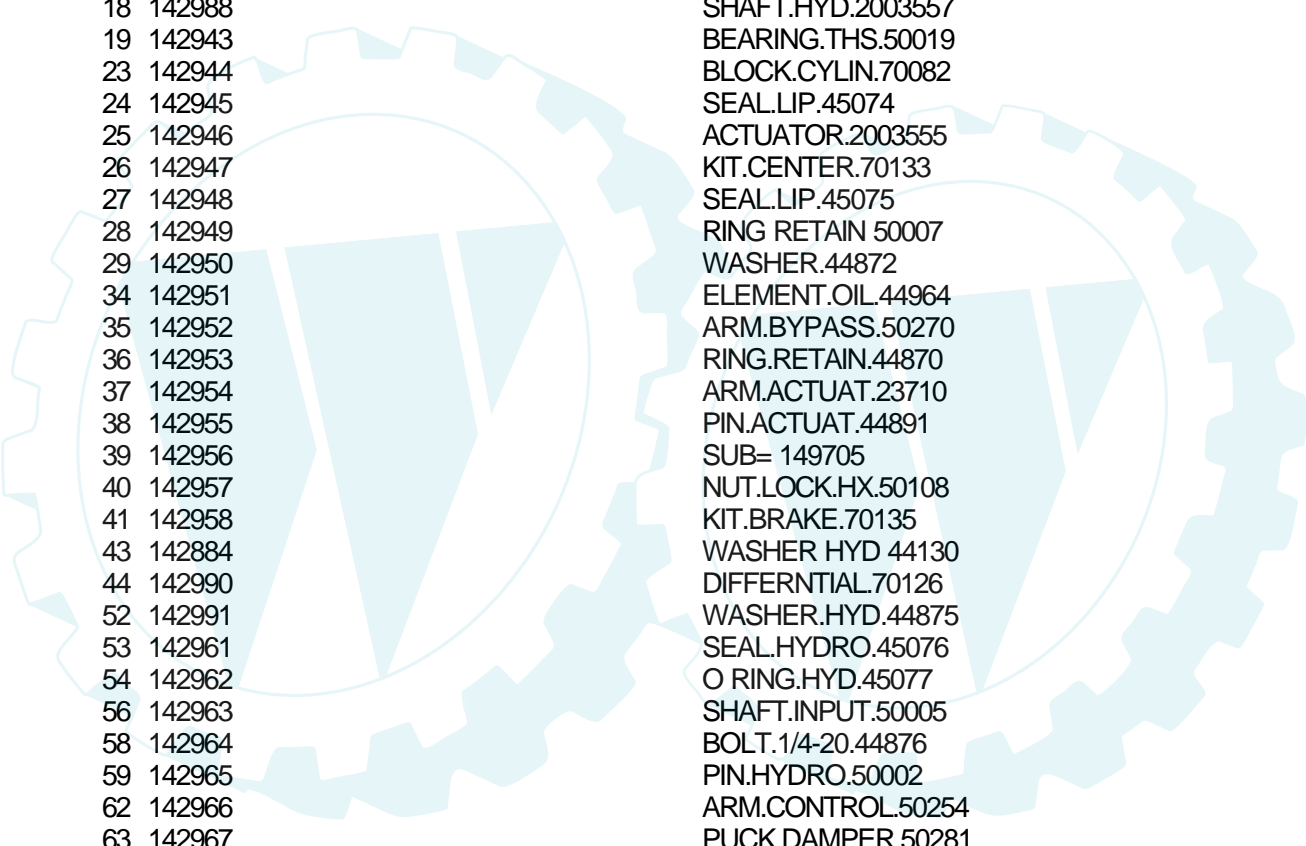




Ref #	Part Number	Qty	Description
1	133741		SUB= 150547
2	142033		AXLE ASM FRONT
3	135227		SPINDLE LH
4	135228		SPINDLE RH
5	6266H		WASHER .T
6	121748X		WASHER
7	19272016		WASHER
8	12000029		RING
9	3366R		COL. SRTG. BEAR.
10	130468		SUB= 532130468
11	10040600		LOCKWASHER
12	73610600		SUB= 7810H
13	110438X		BEARING
14	74011056		BOLT HEX 5/8-11
15	73901000		"NUT-LOC,FLANGE LT"
16	132624		AXLE PIN
17	132614		SHAFT ASM
18	57079		THRUST WASHER
19	124035X		SUPPORT.SHAFT
20	126684X		SUB= 532126684
21	10040400		LOCKWASHER
22	71070410		"SCREW,SPECIAL"
23	127501		SUB= 918127501
24	109816X		NYLINER T
25	124036X		"BRKT,STEERING"
26	126847X		BUSHING.DRAGLINK
27	136874		GEAR SECTOR
28	19131416		WASHER
29	17490612		SCREW
30	76020412		COTTER PIN
32	130465		TIE ROD
36	132196		SUB= 155106
37	17431008		SUB= 98000165
38	133742		ST WHL INSERT CAP
39	19133808		WASHER T
40	7810H		GRIPCO NUT
41	104820X		ADAPTER-WHEEL LT
42	124118X		PANEL DASH LH
43	121749X		WASHER
46	121232X		CAP
47	6855M		ZERK M

**TRACTOR - - MODEL NUMBER 2H4B6B**  
**TRANSAXLE - HYDRO GEAR MODEL NUMBER 310-0600**

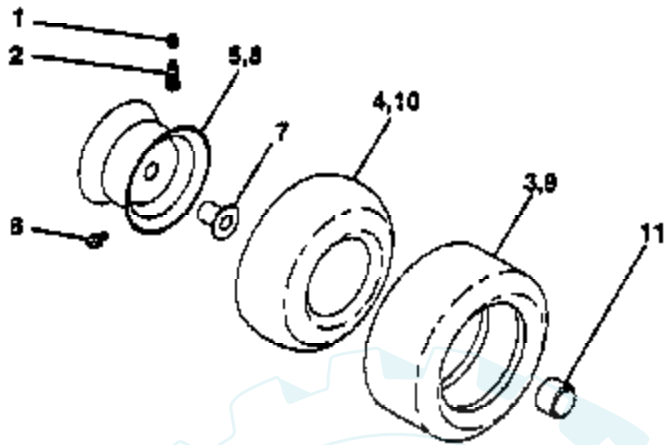




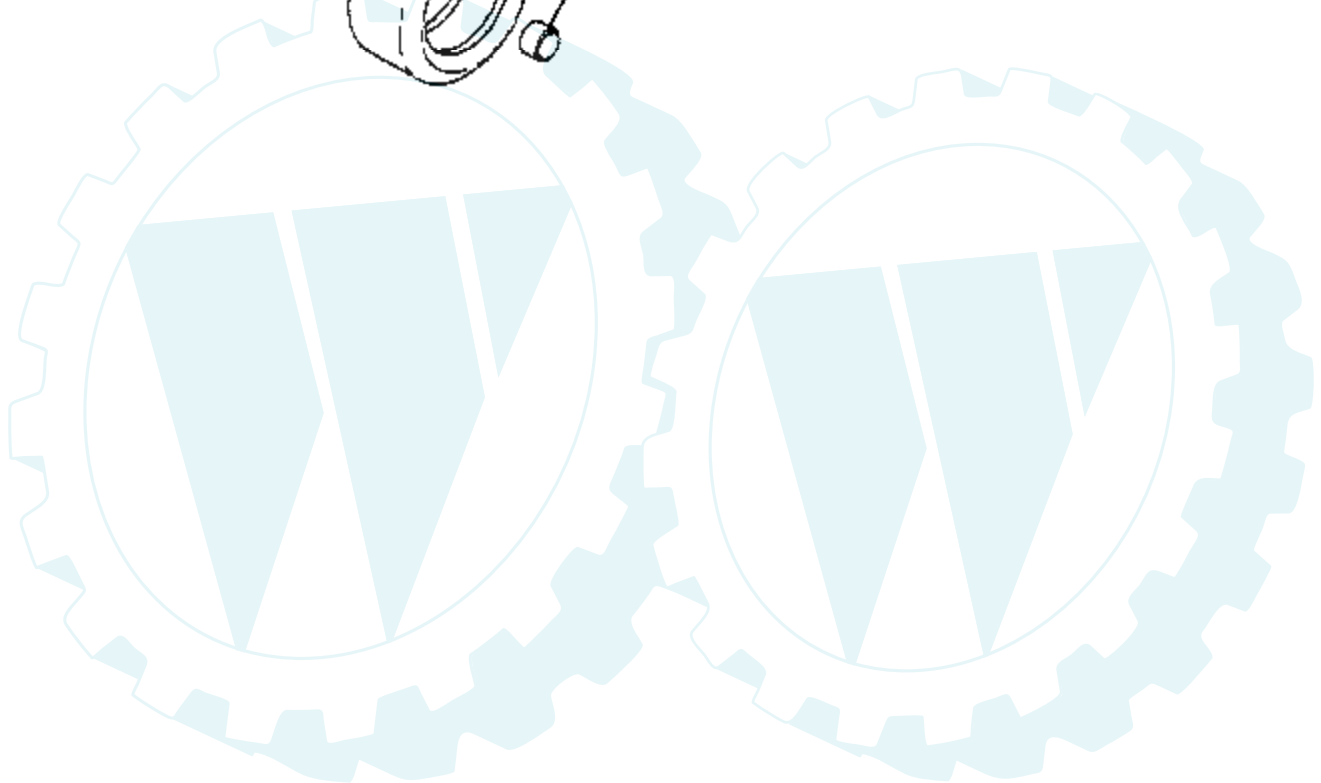
Ref #	Part Number	Qty	Description
1	142986		HOUSING.L.44863RM
2	142987		HOUSING.UPR.70122
3	142932		SEAL.9008000-0128
4	142928		RING.RET.2003016.
5	142933		RING.RET.2003052.
6	142934		BEARING.(50552)42X68X16
7	142935		CRADLE- 2003023.
8	142936		BEARING.2003044.
9	142937		SWASHPLT.2003087.
13	142938		BLOCK.CLYN.70079.
14	142939		ARM.TRUN.2003005.
15	142940		SEAL.9008000-0126
17	142941		GUIDE.2000015.
18	142988		SHAFT.HYD.2003557
19	142943		BEARING.THS.50019
23	142944		BLOCK.CYLIN.70082
24	142945		SEAL.LIP.45074
25	142946		ACTUATOR.2003555
26	142947		KIT.CENTER.70133
27	142948		SEAL.LIP.45075
28	142949		RING RETAIN 50007
29	142950		WASHER.44872
34	142951		ELEMENT.OIL.44964
35	142952		ARM.BYPASS.50270
36	142953		RING.RETAIN.44870
37	142954		ARM.ACTUAT.23710
38	142955		PIN.ACTUAT.44891
39	142956		SUB= 149705
40	142957		NUT.LOCK.HX.50108
41	142958		KIT.BRAKE.70135
43	142884		WASHER HYD 44130
44	142990		DIFFERENTIAL.70126
52	142991		WASHER.HYD.44875
53	142961		SEAL.HYDRO.45076
54	142962		O RING.HYD.45077
56	142963		SHAFT.INPUT.50005
58	142964		BOLT.1/4-20.44876
59	142965		PIN.HYDRO.50002
62	142966		ARM.CONTROL.50254
63	142967		PUCK.DAMPER.50281
64	142920		SCREW.SET.50018.
65	142968		BOLT #8-32 X .875
68	142969		SPRING.HYD.50277
69	144610		STUD.5/16-24.DANA
92	142977		SPRING.2003014.
93	142978		WASHER.2003017
98	142993		BEARING.SLV.50137
99	142973		SCREW.CAP.50154.
113	142917		CAP.VENT.70109
114	142918		O-RING.ASM.70110
119	142980		SPACER.HYD.50278
134	144607		NUT.CAS.HYD.44142
135	144608		PIN.COT.HYD.44101

**TIRES AND WHEELS**

**TRACTOR - - MODEL NUMBER 2H4B6B**



**NOTE:** All component dimensions given in U.S. inches  
1 inch = 25.4 mm



Ref #	Part Number	Qty	Description
1	59192		VALVE CAP
2	65139		VALVE STEM LT
3	106222X		SUB= 122073X
4	59904		TUBE.5.3/4.5/6
5	106732X427		"RIM ASM 6"" FRT"
6	278H		FITTING LT
7	9040H		"FLANGE, BEARING"
8	106108X427		"RIM AS 8"" REAR"
9	106268X		SUB= 122074X
10	7152J		TUBE.18X9.5-8
11	104757X		HUB CAP
	144334		SEALANT.TIRE 10 OZ. TUBE

