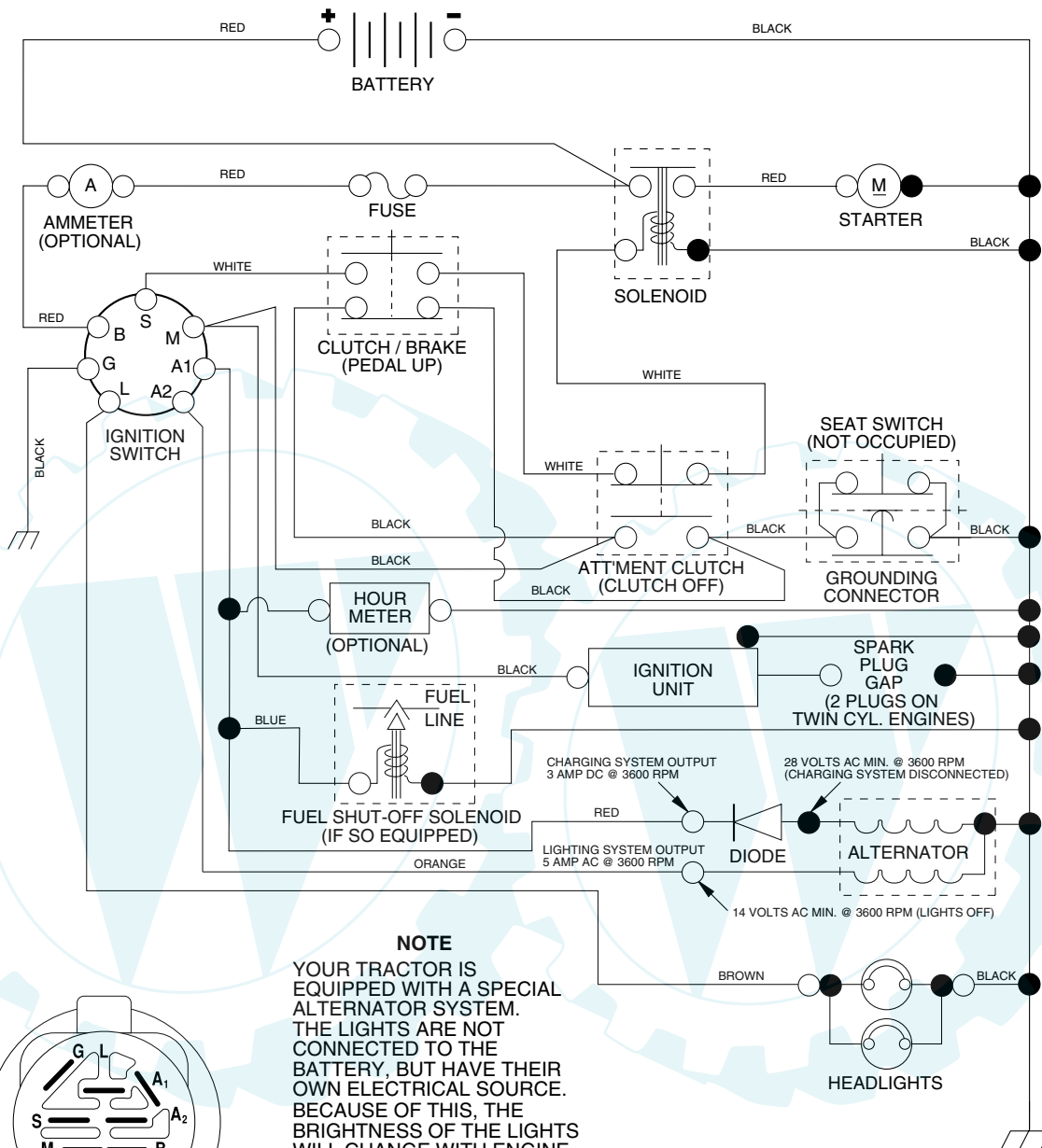
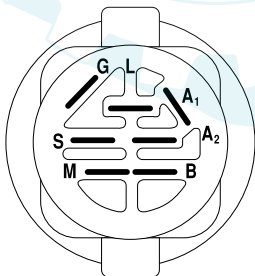


**SCHEMATIC**



**NOTE**

YOUR TRACTOR IS EQUIPPED WITH A SPECIAL ALTERNATOR SYSTEM. THE LIGHTS ARE NOT CONNECTED TO THE BATTERY, BUT HAVE THEIR OWN ELECTRICAL SOURCE. BECAUSE OF THIS, THE BRIGHTNESS OF THE LIGHTS WILL CHANGE WITH ENGINE SPEED. AT IDLE THE LIGHTS WILL DIM. AS THE ENGINE IS SPEEDED UP, THE LIGHTS WILL BECOME THEIR BRIGHTEST.



**IGNITION SWITCH**

POSITION	CIRCUIT	"MAKE"
OFF	M+G+A1	NONE
RUN/LIGHT	B+A1	A2+L
RUN	B+A1	NONE
START	B + S + A1	NONE

**WIRING INSULATED CLIPS**

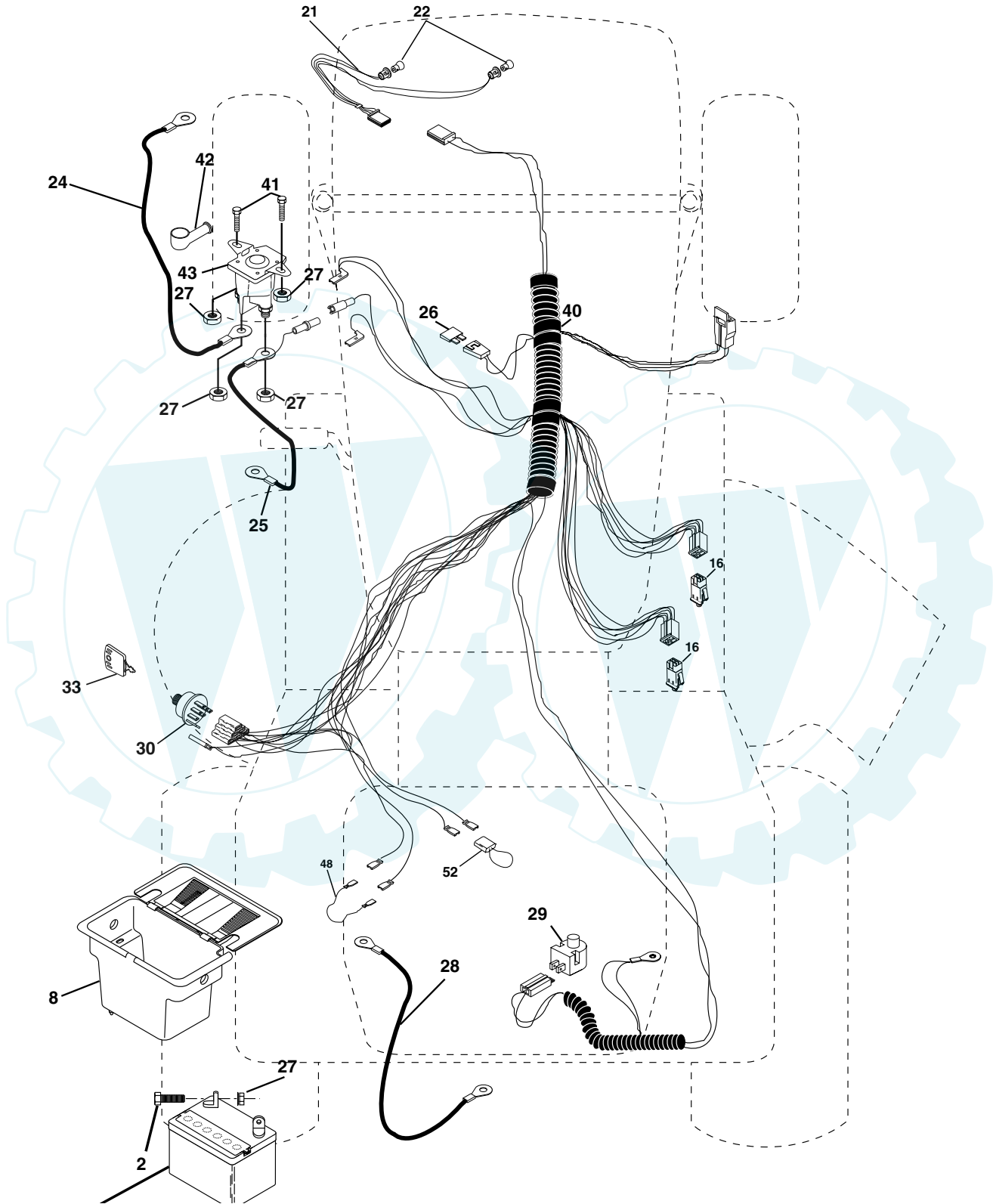
**NOTE:** IF WIRING INSULATED CLIPS WERE REMOVED FOR SERVICING OF UNIT, THEY SHOULD BE REPLACED TO PROPERLY SECURE YOUR WIRING.

NON-REMOVABLE CONNECTIONS

REMOVABLE CONNECTIONS

**TRACTOR-- MODEL NUMBER 271470**

**ELECTRICAL**

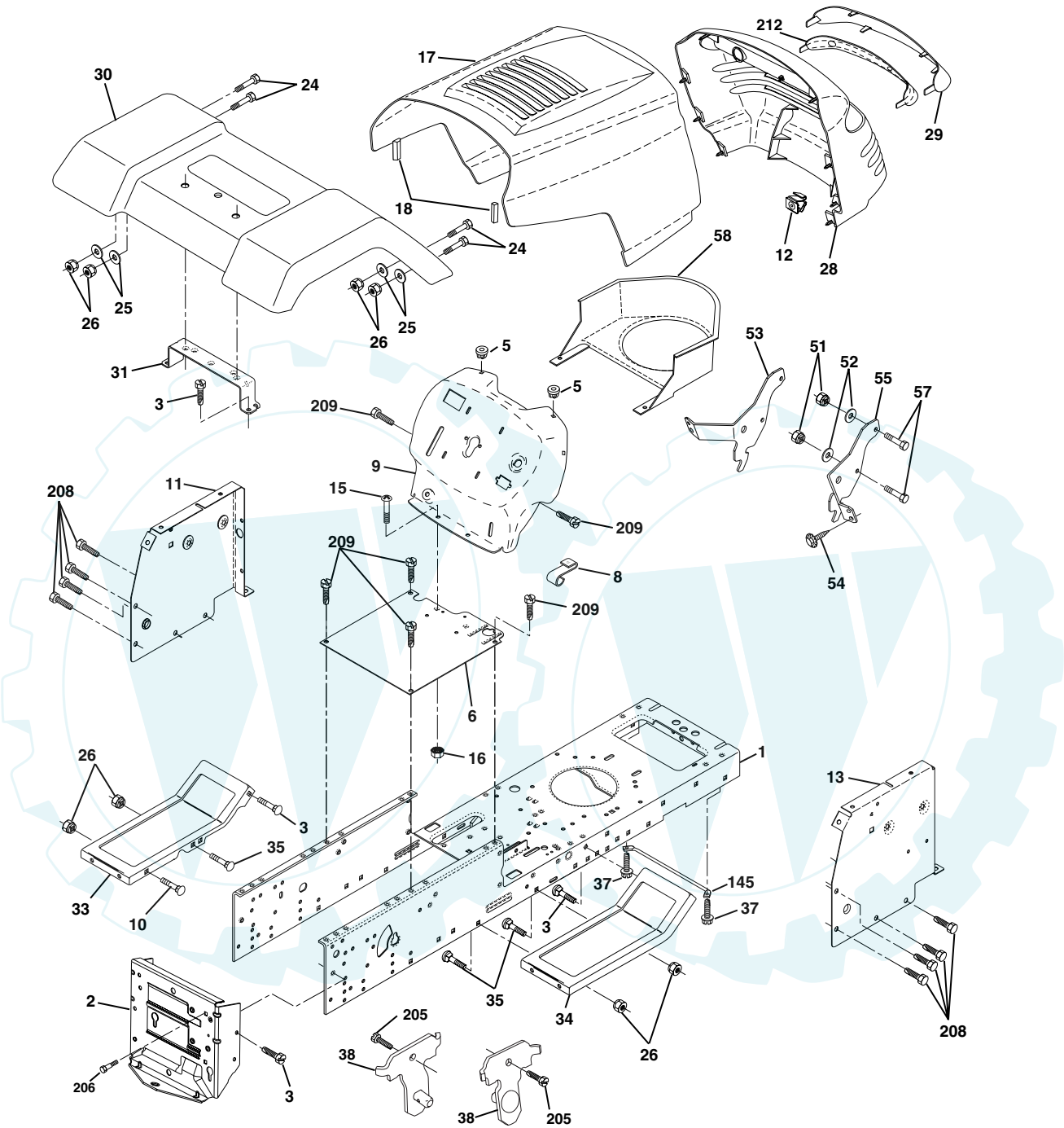


ELECTRICAL

KEY PART NO.	PART NO.	DESCRIPTION
1	144925	Battery 12 Volt 25 Amp
2	74760412	Bolt, Hex Head 1/4-20 unc x 3/4
8	156417	Case, Battery Mech Hinge
16	153664	Switch, Interlock Push-In
21	166181	Harness, Light Socket (Includes 4152J)
22	4152J	Bulb, Light
24	4799J	Cable, Battery, 6 Gauge, Red, 11"
25	146147	Cable, Battery, 6 Gauge, Red, W/16 Wire
26	175158	Fuse
27	73510400	Nut Keps Hex 1/4-20 UNC
28	4207J	Cable, Ground, 6 Gauge, Black, 12"
29	121305X	Switch, Plunger
30	175566	Switch, Ignition
33	140401	Key, Ignition
40	170217	Harness, Ignition
41	71110408	Bolt, Hex Head, Fin. 1/4-20 x 1/2
42	131563	Cover, Terminal, Red
43	175141	Solenoid
48	140844	Adaptor Ammeter Rectangular
52	141940	Protection Wire Loop

**NOTE:** All component dimensions given in U. S. inches 1 inch = 25.4 mm

CHASSIS AND ENCLOSURES

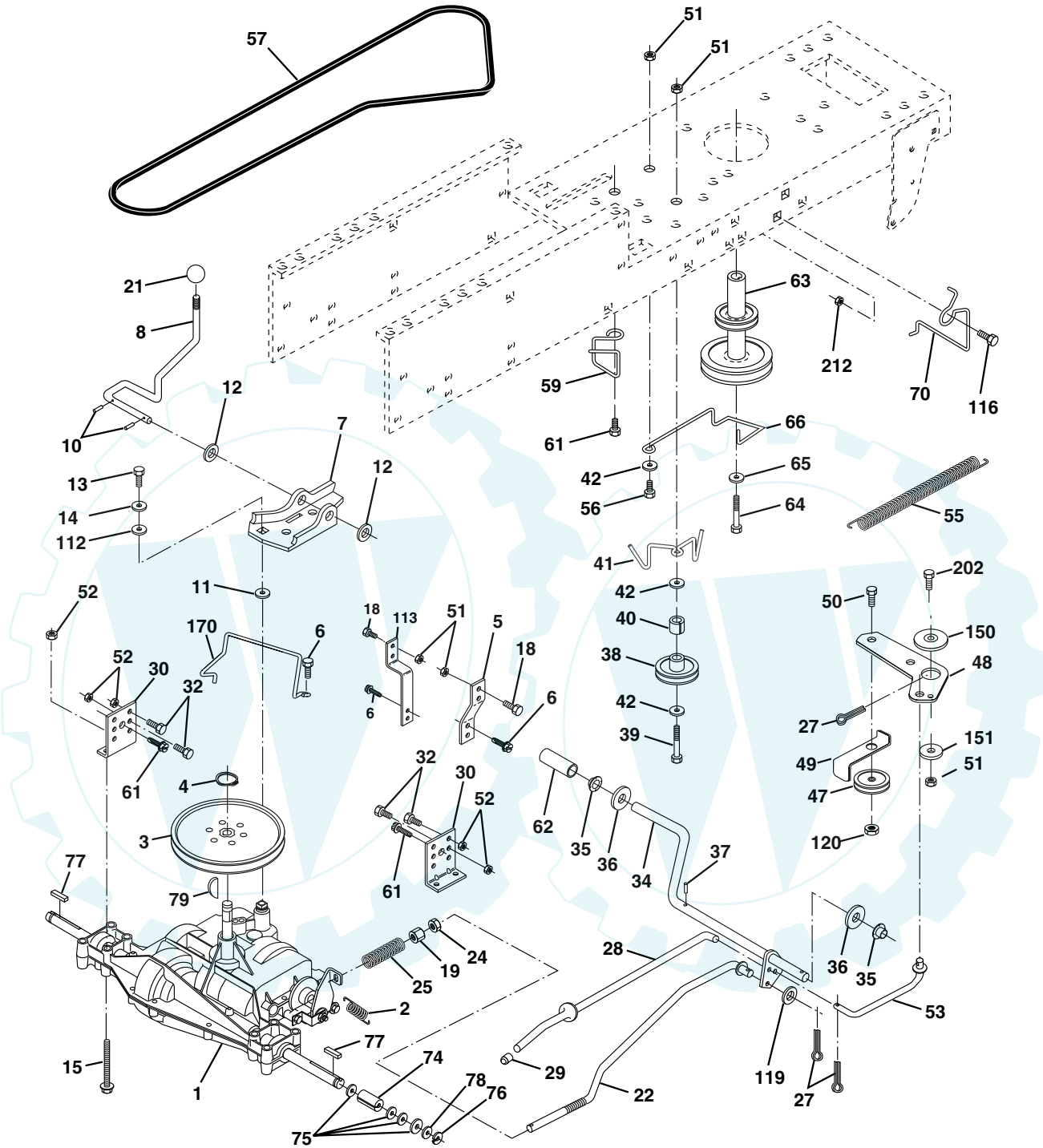


**CHASSIS AND ENCLOSURES**

KEY PART NO.	NO.	DESCRIPTION
1	169831	Chassis
2	169061	Drawbar
3	17060612	Screw 3/8-16 x 3/4
5	155272	Bumper Hood/Dash
6	155924X014	Saddle Slkscr Flt LT
8	155138	Clip Retainer Slide-On
9	168347X011	Dash
10	72140608	Bolt Rdhd Sqnk 3/8-16unc X 1
11	155927	Panel Dash LH
12	145660	Clip Tinnerman Grille P/L
13	172107X010	Panel Slkscr Dash RH
15	74180512	Screw Mach TRHD 5/16-18 unc x 3/4
16	73510500	Nut Keps 5/16-18 Unc
17	159639X417	Hood Asm
18	126938X	Bumper Hood
24	74780616	Bolt Fin Hex 3/8-16 unc x 1 Gr. 5
25	19131312	Washer 13/32 X 13/16 x 12 Ga
26	73680600	Nut Hex Lock W/Ins. 3/8-16 Unc
28	150407	Grille/Lens Asm
29	150209X599	Lens Headlight Bar Clear
30	169465X417	Fender
31	136619	Bracket Fender Repl 109873x
33	105476X417	Footrest Pnt Lh
34	105475X417	Footrest Pnt Rh
35	72140606	Bolt Rdhd Sht Sqnk 3/8-16 x 3/4
37	17490508	Screw Thdrol 5/16-18 x 1/2
38	169834	Bracket Asm Pivot Mower Rear
51	73800400	Nut Lock Hex w/Ins 1/4-20
52	19091416	Washer 9/32 x 7/8 x 16 Ga.
53	144697	Bracket, Grille LH
54	161464	Screw
55	144696	Bracket, Grille RH
57	74780412	Bolt Hex 1/4-20 x 3/4
58	150127	Air Duct P/L
145	156524	Rod Pivot Chassis/Hood
206	170165	Bolt Shoulder 5/16-18
208	17670608	Screw thdrol 3/8-16 x 1/2
209	17000612	Screw Hex Wsh Thdrol 3/8-16
212	156494	Insert Lens Reflective
--	5479J	Plug Button Blk 359 Dia Choke

**NOTE:** All component dimensions given in U. S. inches 1 inch = 25.4 mm

GROUND DRIVE

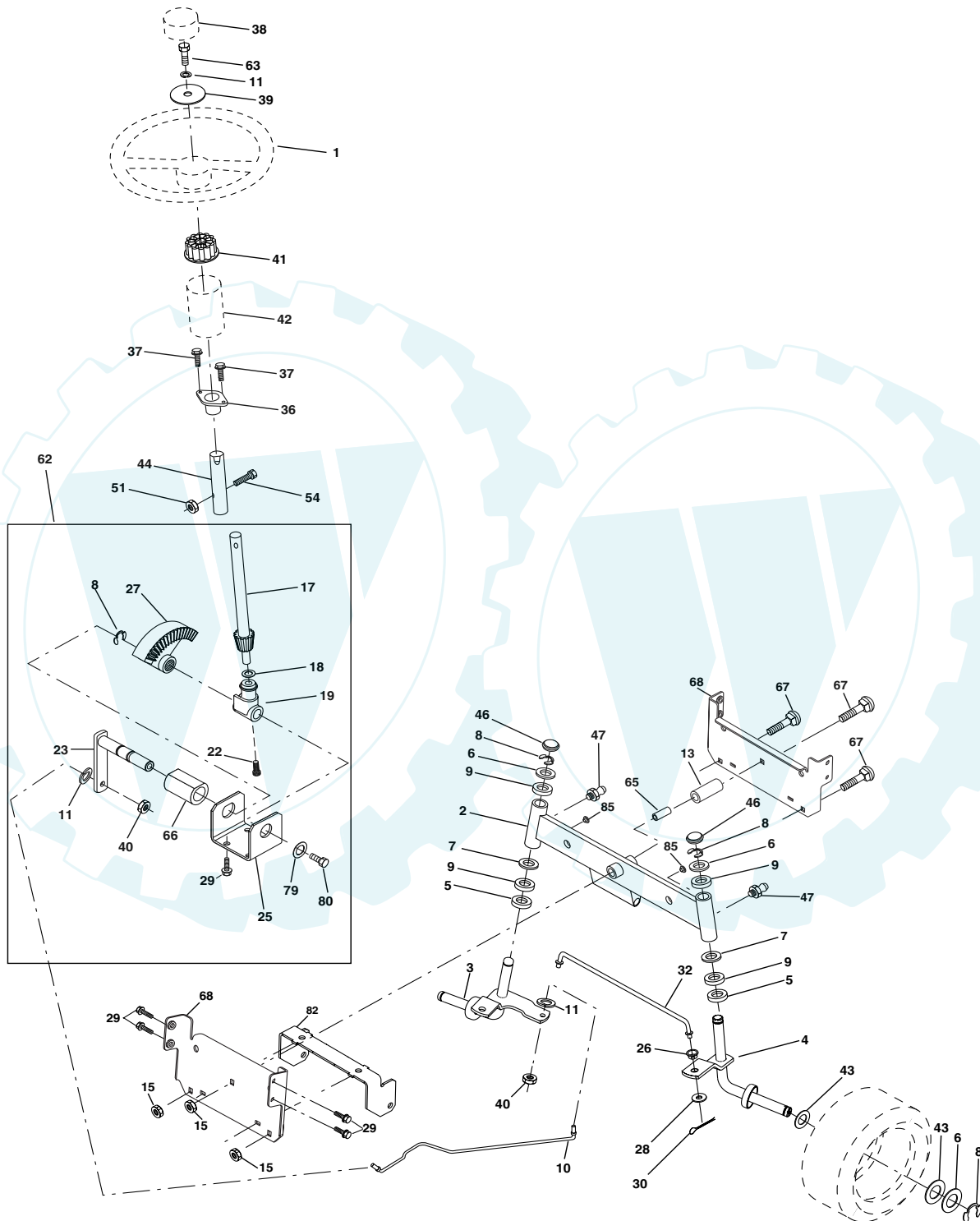


**GROUND DRIVE**

KEY PART NO. NO.	DESCRIPTION	KEY PART NO. NO.	DESCRIPTION
1	----- Transaxle Dana D4360-139 (Order parts from transaxle Manufacturer)	41	165838 Keeper Belt Idler
2	146682 Spring Return Brake T/a Zinc	42	19131312 Washer 13/32 x 13/16 x 12 Ga
3	123666X Pulley Transaxle 18/20" tires	47	127783 Pulley Idler V Groove Plastic
4	12000028 Ring Retainer # 5100-62	48	154407 Bellcrank Asm. Clutch
5	121520X Strap Torque 30 Degrees	49	123205X Retainer Belt Style Spring
6	17060512 Screw 5/16-18 x 3/4	50	74760624 Bolt Hex Hd 3/8-16unc x1-1/2
7	162240 Bracket Saddle Shift T/a	51	73680600 Nut Crownlock 3/8-16 UNC
8	131679 Rod Shf Sdl LY/YT Str Blk	52	73680500 Nut Crown Lock 5/16-18
10	76020416 Pin Cotter 1/8 x 1 Cad	53	105710X Link Clutch 7 66
11	105701X Washer Plate 388 Sq Hole	55	105709X Spring Return Clutch 6 75
12	19151216 Washer 15/32 x 3/4 x 16ga	56	74760620 Bolt Fin Hex 3/8-16 unc x 1-1/4
13	74550412 Bolt 1/4-28unf Gr8 W/Patch	57	160855 V-Belt Gd Drive 9530
14	10040400 Washer Lock Hvy Helical 1/4	59	169691 Keeper Belt Centerspan
15	74490544 Bolt Hex Flghd 5/16-18 x Gr. 5	61	17060612 Screw 3/8-16 x 3/4
18	74780616 Bolt Fin Hex 3/8-16 UNC x 1 Gr. 5	62	8883R Cover Pedal Blk Round
19	73800600 Nut Lock Hex W/Ins. 3/8-16 Unc	63	140186 Pulley Eng Cl Mech 38deg
21	106933X Knob Rd 1/2-13 Plstc Thds	64	71170764 Bolt Hex 7/16-20 x 4 Gr 5
22	130804 Rod Brake Blk Zinc 26 840	65	10040700 Washer Lock Hlcl Spr 7/16
24	73350600 Nut Hex Jam 3/8-16 Unc	66	154778 Keeper Belt Engine FP
25	106888X Spring Rod Brake 2 00 Zinc	70	134683 Guide Belt Mower Drive RH
26	19131016 Washer 13/32 x 5/8 x 16 Ga	72	19132012 Washer 13/32 x 1-1/4 x12 Ga
27	76020412 Pin Cotter 1/8 x 3/4 Cad	74	109502X Spacer Axle
28	145204 Rod Brake Parking Lt/Yt	75	121749X Washer 25/32 x 1-1/4 x16 Ga
29	71673 Cap Brake Parking	76	12000001 E-ring #5133-75
30	174973 Bracket Mtg Transaxle	77	123583X Key Square 2 0 x 1845/ 1865
32	74760512 Bolt Hex Hd 5/16-18unc x 3/4	78	121748X Washer 25/32 x1-5/8 x 16 Ga
34	155071 Shaft Asm Pedal Foot	112	19091210 Washer 9/32 x 3/4 x 10 Ga
35	120183X Bearing Nylon Blk 629 Id	113	127285X Strap Torque LH LT
36	19211616 Washer 21/32 x 1 x 16 Ga	116	72110610 Bolt Rdhd Sq Neck 3/8-16 x 1.25
37	1572H Pin Roll 3/16 x 1"	150	165850 Bushing Bellcrank GRD Drive
38	131494 Pulley Idler Flat	151	19133210 Washer 13/32 x 2 x 10 Ga.
39	74760644 Bolt Fin Hex 3/8-16 UNC x 2-3/4 Gr. 5	170	173898 Keeper Belt Transaxle Gear
40	4470J Spacer Split 395 x 59 Bzp	202	72110612 Bolt Carr. Sh 3/8-16 x 1-1/2 Gr. 5

**NOTE:** All component dimensions given in U. S.  
inches 1 inch = 25.4 mm

STEERING



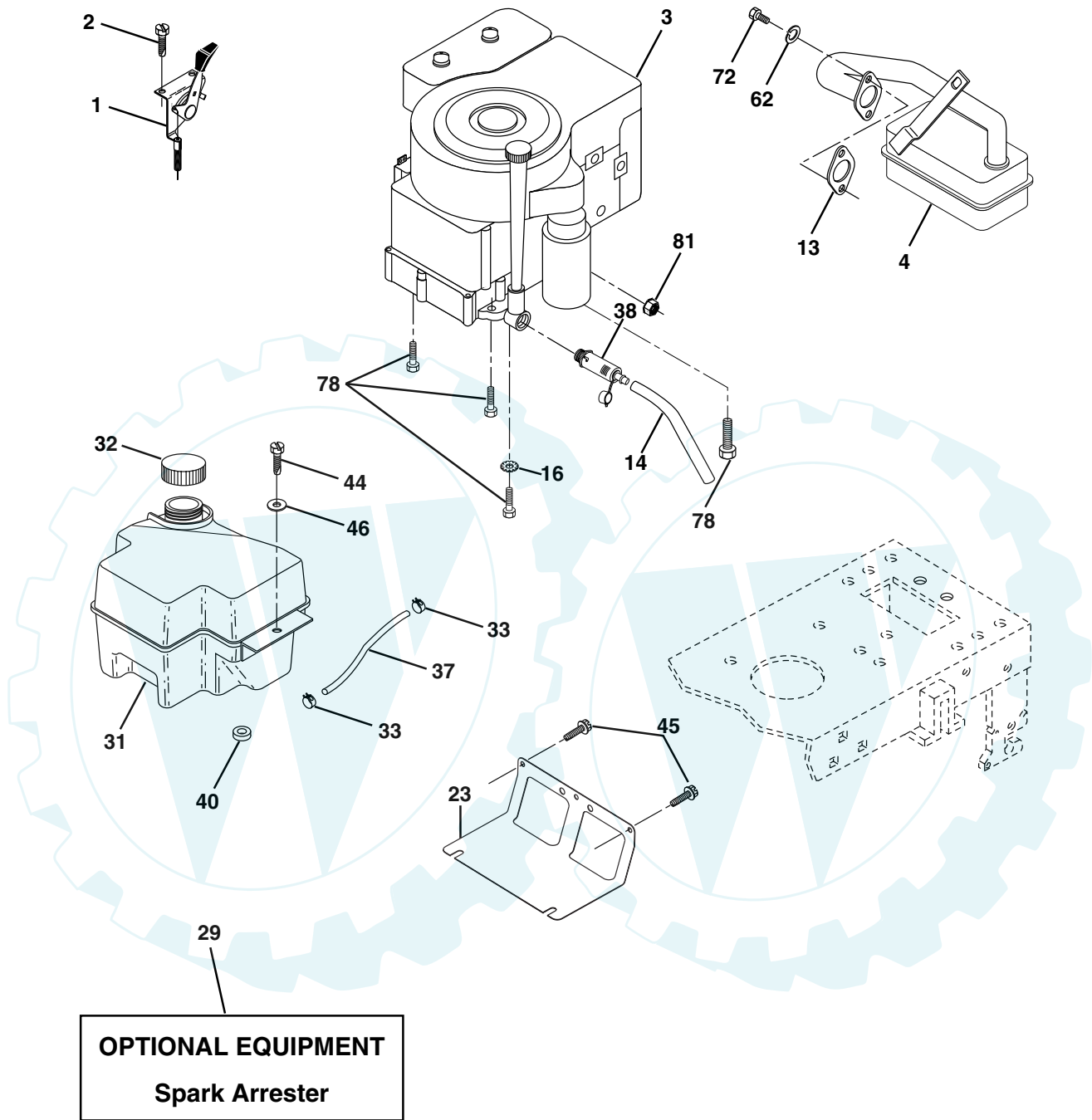


**STEERING**

KEY PART NO.	NO.	DESCRIPTION
1	140044X428	Steering Wheel
2	154427	Axle Assembly STMP Dropped STL
3	156483	Spindle Assembly, L.H.
4	157473	Spindle Assembly, R.H.
5	6266H	Bearing, Race, Thrust, Hardened
6	121748X	Washer 25/32 x 1-5/8 x 16 Gauge
7	19272016	Washer 27/32 x 1-1/4 x 16 Gauge
8	12000029	Ring, Klip
9	3366R	Bearing, Steering Column
10	169832	Draglink
11	10040600	Washer, Lock
13	136518	Spacer Bearing Axle Front
15	145212	Hexflange Lock
17	156546	Shaft Assembly, Steering
18	57079	Washer, Thrust .515 x .750 x .033
19	160395	Support, Shaft
22	165857	Screw, Hex Wshhd
23	165851	Pittman Shaft Assembly
25	154406	Bracket, Steering
26	126847X	Bushing, Link, Drag
27	136874	Gear, Sector
28	19131416	Washer 13/32 x 7/8 x 16 Gauge
29	17060612	Screw, 3/8-16 x 3/4
30	76020412	Pin
32	130465	Rod, Tie
36	155099	Bushing, Steering
37	152927	Screw
38	140045X428	Cap, Steering Wheel
39	19133812	Washer 13/32 x 2-3/8 x 12 Gauge
40	7810H	Gripco Nut
41	100711L	Adaptor, Steering Wheel
42	145054X428	Boot, Steering
43	121749X	Washer 25/32 x 1-1/4 x 16 Gauge
44	153720	Shaft Extension Steering
46	121232X	Cap, Spindle
47	6855M	Fitting, Grease
51	73800500	Nut lock Hex w/Ins 5/16-18
54	74780520	Bolt Fin Hex 5/16-18 UNC x 1-1/4
62	167902	Kit Steering Asm Service
63	74780616	Bolt Fin Hex 3/8-16 x 1-1/4
65	160367	Spacer Brace Axle
66	154404	Bearing Arm Pittman
67	72140618	Bolt, Rdhd Sq 3/8-16 UNC x 2-1/4
68	169827	Axle, Brace
79	19132012	Washer 13/32 x 1-1/4 x 12 Ga.
80	74950612	Bolt Hex Nylon 3/8-16 x 3/4
82	169835	Bracket Susp Chassis Front
85	133835	Fastener Christmas Tree

**NOTE:** All component dimensions given in U. S. inches  
 1 inch = 25.4 mm

ENGINE



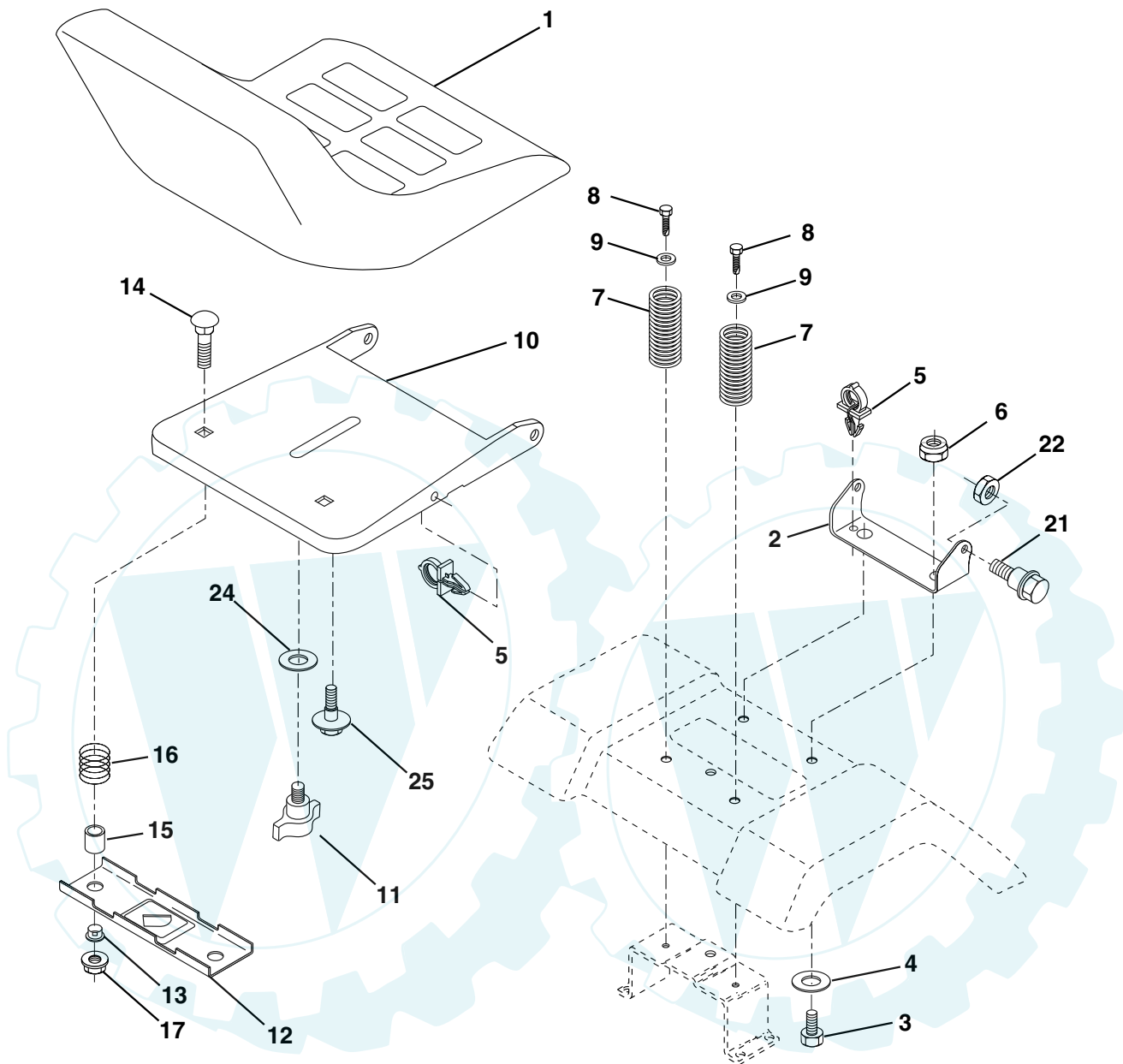
**OPTIONAL EQUIPMENT**  
**Spark Arrester**

ENGINE

KEY NO.	PART NO.	DESCRIPTION
1	170551	Control Th/ch
2	17720410	Screw Hex Thd Cut 1/4-20x5/8 T
3	-----	Engine Briggs Model 28R707-1147-E1 (Order parts from Engine Manufacturer)
4	137348	Muffler
13	165291	Gasket Eng 1 313 Id Tin Plated
14	148456	Tube Drain Oil Easy
16	11050600	Washer Lock Ext Tooth 3/8
23	169837	Shield Browning
29	137180	Kit Spark Arrestor (Flat Scrm)
31	109202X	Tank Fuel Front 1 25
32	140527	Cap Asm Fuel
33	123487X	Clamp Hose Blk
37	137040	Line Fuel 20"
38	148315	Plug Drain Oil Easy
40	124028X	Bushing Snap Nyl Blk Fuel Line
44	17670412	Screw Hexwsh Thdrol 1/4-20 x 3/4
45	17000612	Screw Hex Wsh Thdrol 3/8-16
46	19091416	Washer 9/32 x 7/8 x 16 ga
62	10040500	Washer Lock Hvy Hlcl Spr 5/16
72	71070512	Screw Hexhd Cap 5/16-18 x 3/4
78	17060620	Screw 3/8-16 x 1-1/4
81	73510400	Nut Keps Hex 1/4-20 UNC

**NOTE:** All component dimensions given in U. S.  
inches 1 inch = 25.4 mm

**SEAT ASSEMBLY**

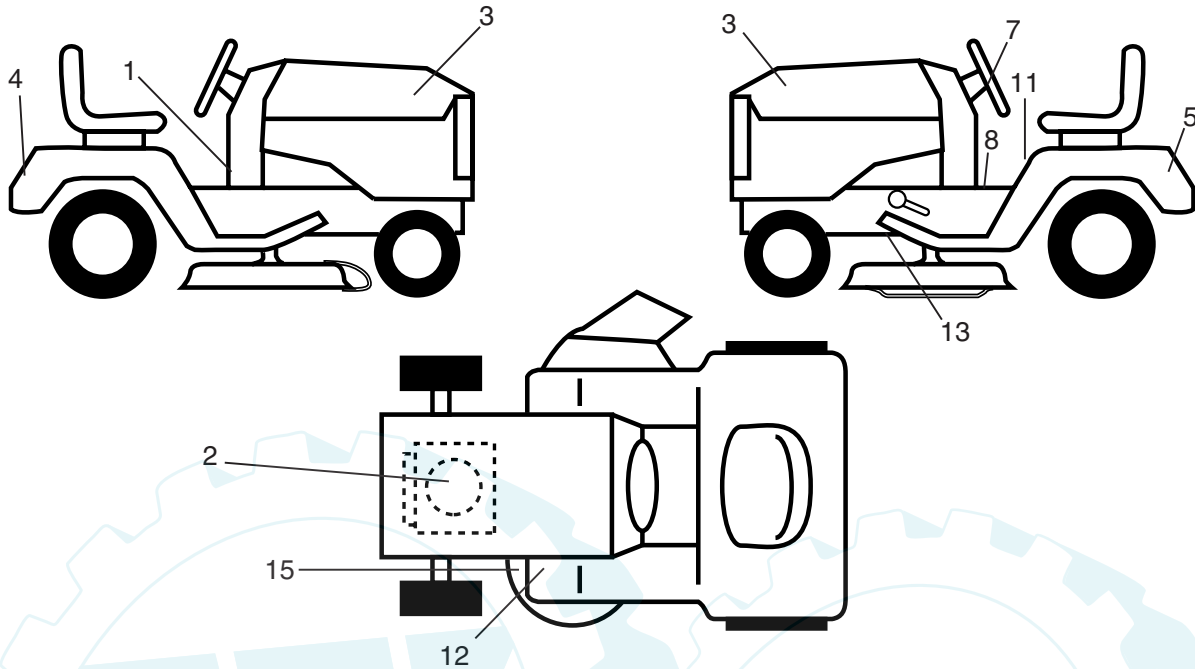


KEY PART NO.	PART NO.	DESCRIPTION
1	127427	Seat
2	140551	Bracket Pvt St
3	71110616	Bolt Fin Hex 3/8-16unc x 1
4	19131610	Washer Flat 13/32 x1 x10 Ga
5	145006	Clip Push-In Hinged
6	73800600	Locknut Hex W/Wsh 3/8-16
7	124181X	Spring Seat Cprsn 2 250 Blk
8	17000616	Screw 3/8-16 x 1
9	19131614	Washer 13/32 x 1 x 14 Ga
10	174894	Pan Seat
11	166369	Knob Seat Adj. Wingnut
12	121246X	Bracket Mounting Switch

KEY PART NO.	PART NO.	DESCRIPTION
13	121248X	Bushing Snap Blk Nyl 50 Id
14	72050412	Bolt Rdhd Sht 1/4-20x1-1/2
15	134300	Spacer Split 28x 96 Yel Zinc
16	121250X	Spring Cprsn 1 27 Blk Pnt
17	123976X	Nut Lock 1/4 Lge Flg Gr 5
21	171852	Bolt Shld 5/16-18 Unc
22	73800500	Nut Lock Hex W/Ins 5/16-18
24	19171912	Washer 17/32 x1-3/16x12 Ga
25	127018X	Bolt Shoulder 5/16-18 x 62

**NOTE:** All component dimensions given in U. S. inches 1 inch = 25.4 mm

DECALS



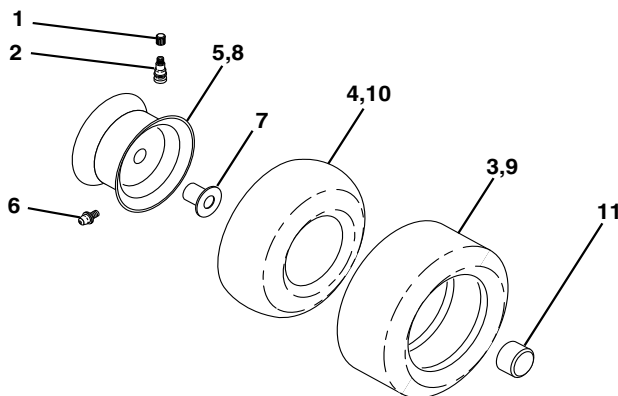
KEY PART

1	177109	Decal Lower Dash
2	176394	Decal Engine
3	171828	Decal Hood
4	171829	Decal Fender
5	145005	Decal Battery Danger
7	171830	Decal Steering
8	156867	Decal, Oper sdl P/L Gear
11	156439	Decal Fender Dngr

KEY PART

12	4900J	Decal, Clutch/Brake Eng
13	146046	Decal V-Belt Dr Sch tractor
15	136832	Decal V-Belt sch
--	138311	Decal Handle Lft Height Adjust (Lift Handle)
--	177110	Owner's Manual, English
--	177111	Owner's Manual, Spanish

WHEELS AND TIRES

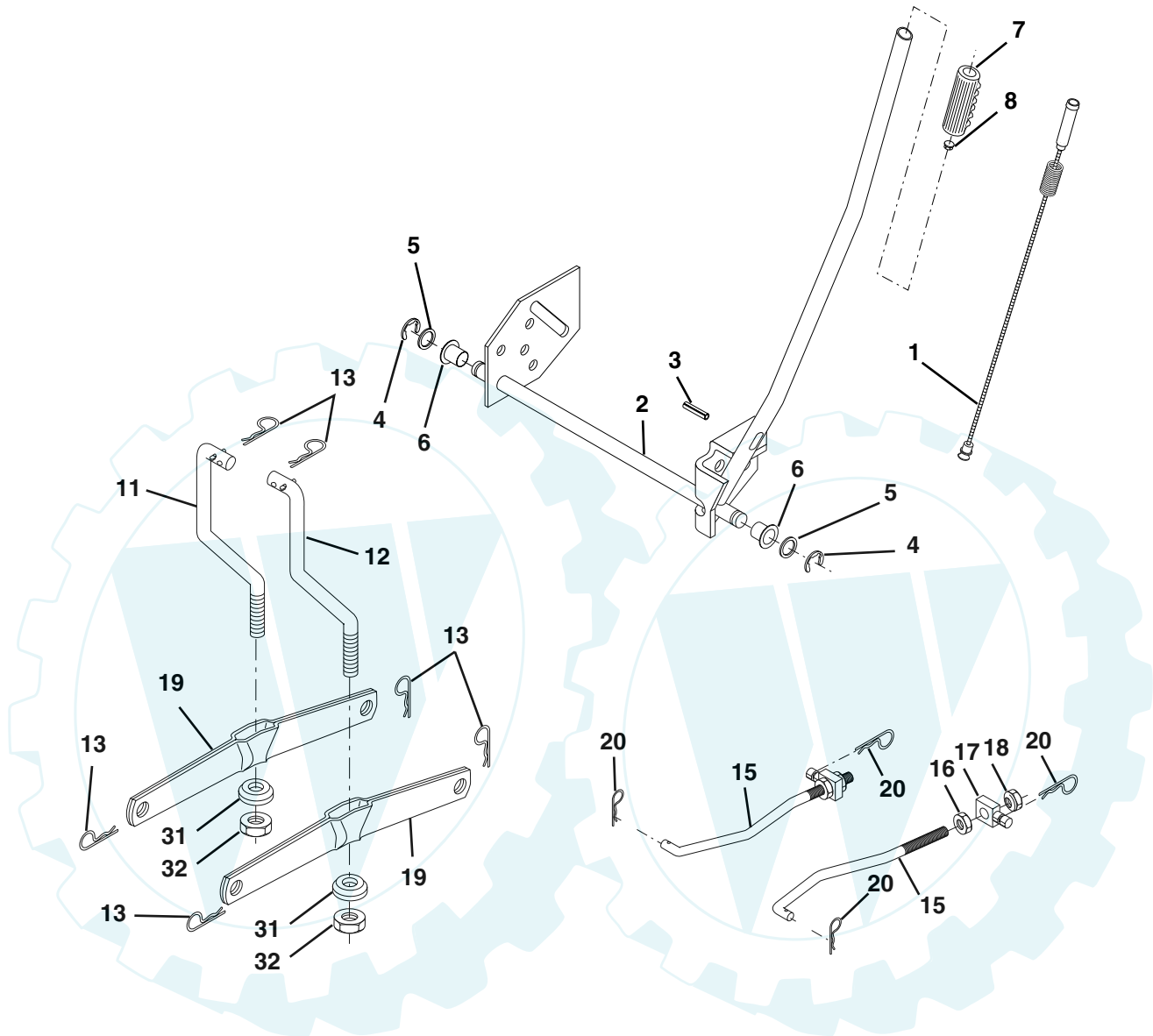


KEY PART

NO.	NO.	DESCRIPTION
1	59192	Cap Valve Tire
2	65139	Stem Valve
3	106222X	Tire F Ts 15 X 6 0 - 6 Service
4	59904	Tube Front (Service Item Only)
5	106732X427	Rim Asm 6"front White Service
6	278H	Fitting Grease (Front Wheel Only)
7	9040H	Bearing Flange (front Wheel Only)
8	106108X427	Rim Asm 8"rear White Service
9	124635X	Tire Rear
10	7152J	Tube Rear (Service Item Only)
11	104757X428	Cap Axle Blk 1 50 X 1 00
--	144334	Sealant, Tire ( 10 oz. Tube)

**NOTE:** All component dimensions given in U. S. inches 1 inch = 25.4 mm

LIFT ASSEMBLY

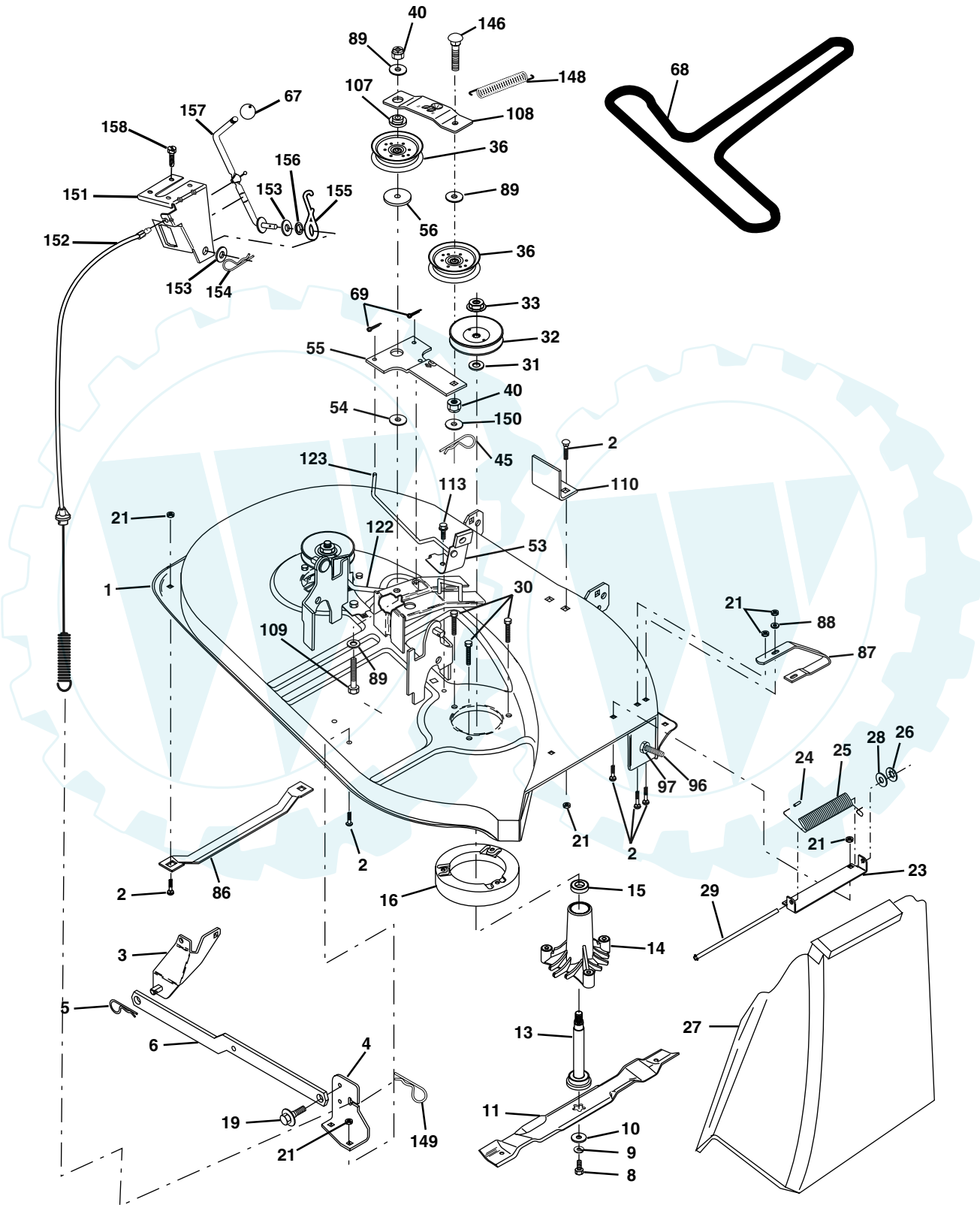


LIFT ASSEMBLY

KEY PART NO.	NO.	DESCRIPTION
1	159460	Wire Asm Inner W/plunger
2	159471	Shaft Asm Lift
3	105767X	Pin Groove 1 500 Zinc
4	12000002	E Ring #5133-62
5	19211621	Washer Pltd 21/32 X 1 X 21ga
6	120183X	Bearing Nylon Blk 629 Id
7	125631X	Grip Handle Fluted Blk
8	122365X	Button Plunger Red
11	139865	Link Lift LH
12	139866	Link Lift RH
13	4939M	Retainer Spring
15	173288	Link Front
16	73350800	Nut Jam Hex 1/2-13 Unc
17	130171	Trunnion Blk Zinc
18	73800800	Nut Lock w/Wsh 1/2-13 UNC
19	139868	Arm Suspension Rear
20	163552	Retainer Spring Zinc
31	169865	Bearing Pvt Lift
32	73540600	Nut Crownlock 3/8-24

**NOTE:** All component dimensions given in U. S. inches 1 inch = 25.4 mm

MOWER DECK





**MOWER DECK**

**KEY PART  
NO. NO.**

1	170280	Mower Housing Assembly
2	72140506	Bolt, Carriage 5/16-18 x 3/4
3	138017	Bracket Asm. Fram Sway Bar
4	169970	Bracket, Asm. Deck Sway Bar
5	4939M	Retainer, Spring
6	130832	Asm. Suspension Rear
8	850857	Bolt, Hex 3/8-24 x 1-1/4 Gr 8
9	10030600	Washer, Lock, Hlcl Sprg 3/8
10	140296	Washer, Hard Blade Mower Vented
11	134148	Blade, Mower, Mulching 38"
13	137645	Shaft and Bearing Assembly (Includes Key Number 15)
14	128774	Mandrel Housing, Vented
15	110485X	Ball Bearing, Mandrel
16	140329	Stripper, Mower, Vented
19	132827	Bolt, Shoulder
21	73680500	Nut, Crownlock 5/16-18
23	137607	Bracket, Mower Deflector
24	105304X	Cap, Sleeve
25	123713X	Spring, Deflector
26	110452X	Nut, Push
27	106736X428	Shield, Deflector
28	19111016	Washer 11/32 x 3/4 x 16 Ga
29	106735X	Rod, Hinge
30	157722	Screw, Thdro Washer Hd
31	129963	Washer, Spacer
32	153532	Pulley, Mandrel
33	137266	Nut, Flangelock 9/16
36	131494	Pulley, Idler, Flat
40	73680600	Nut Crownlock 3/8-16
45	4497H	Retainer, Spring
53	130840	Brake Assembly
54	133943	Washer Hardened
55	133840	Idler Arm Assembly

**KEY PART  
NO. NO.**

56	165723	Spacer, Retainer
67	149846	Knob
68	144200	Belt
69	76020312	Pin, Cotter 3/32 x 3/4
86	7631J	Runner, LH
87	128772	Runner, RH
88	19111216	Washer 11/32 x 3/4 x 16 Ga
89	19131612	Washer 13/32 x 1 x 12 Ga
107	133502	Spacer, Retainer
108	133503	Stiffener, Idler Arm
109	74760640	Bolt, Hex Head 3/8-16 x2-1/2
110	142587	Upstop Deck Front 38"
113	17060512	Screw 5/16-18 x 3/4
122	131289	Rod, Brake, LH
123	169971	Rod, Brake, RH
146	165891	Bolt Carriage Idler
148	169022	Spring Return Idler
149	165898	Retainer Spring Yellow Zinc
150	19091216	Washer 9/32 x 3/4 x 16 Ga.
151	169670	Bracket Clutch
152	172758	Cable Clutch 38 In
153	169674	Washer Flat 3/8" Type B
154	169675	Spring Retainer
155	169671	Spring Retention Lever
156	169672	Spacer
157	169669	Rod Clutch
158	17720410	Screw Hex Thd Cut 1/4-20x5/8
--	130794	Mandrel Assembly (Includes Key Numbers 12-15, 17-19, 31 and 33)
--	171665	Mower Deck, Complete

**NOTE:** All component dimensions given in U. S. inches 1 inch = 25.4 mm