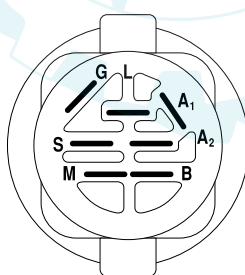
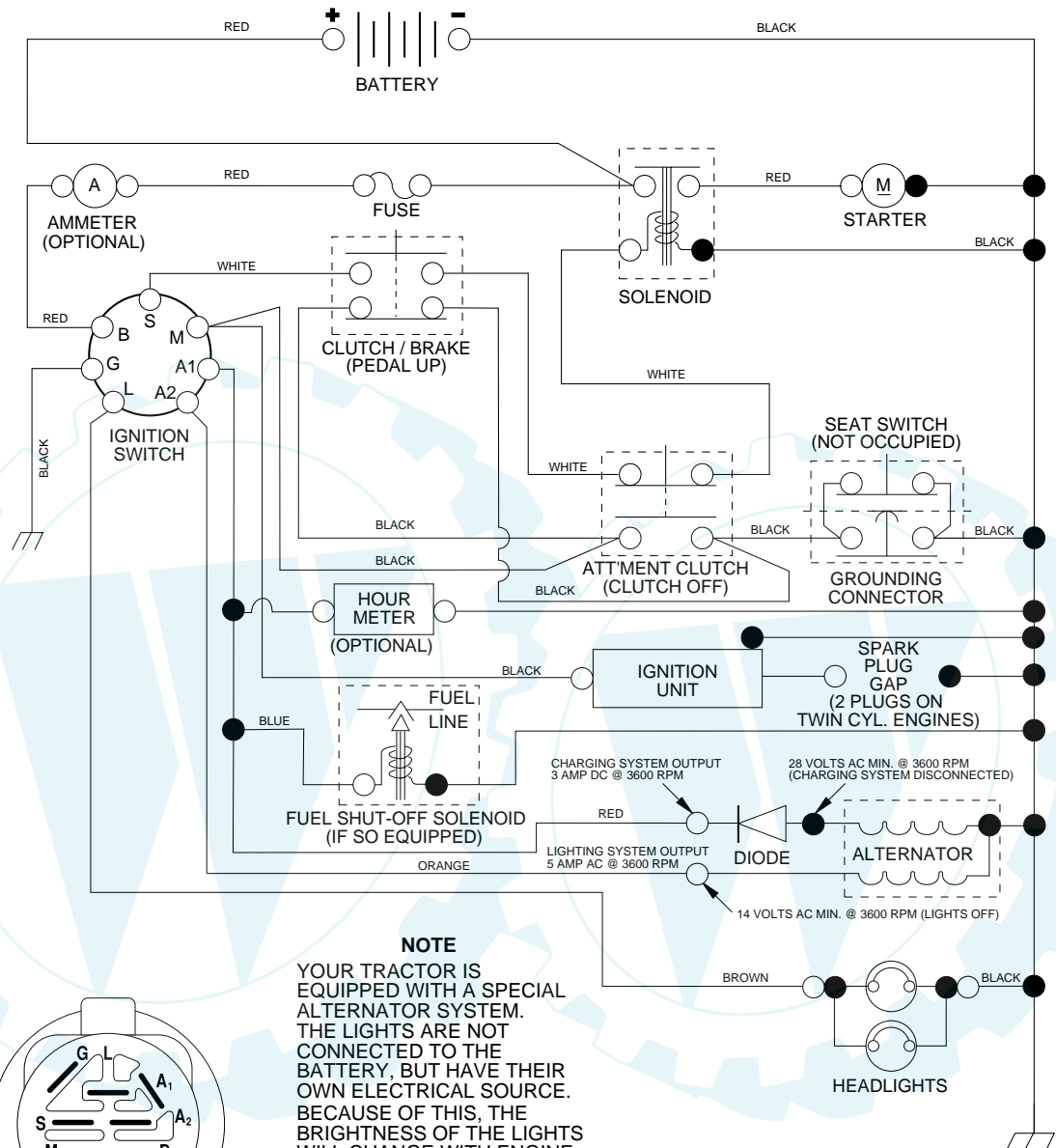


**SCHEMATIC**



**IGNITION SWITCH**

POSITION	CIRCUIT	"MAKE"
OFF	M+G+A1	NONE
RUN/LIGHT	B+A1	A2+L
RUN	B+A1	NONE
START	B + S + A1	NONE

**NOTE**  
 YOUR TRACTOR IS EQUIPPED WITH A SPECIAL ALTERNATOR SYSTEM. THE LIGHTS ARE NOT CONNECTED TO THE BATTERY, BUT HAVE THEIR OWN ELECTRICAL SOURCE. BECAUSE OF THIS, THE BRIGHTNESS OF THE LIGHTS WILL CHANGE WITH ENGINE SPEED. AT IDLE THE LIGHTS WILL DIM. AS THE ENGINE IS SPEEDED UP, THE LIGHTS WILL BECOME THEIR BRIGHTEST.

●  
NON-REMOVABLE CONNECTIONS

○  
REMOVABLE CONNECTIONS

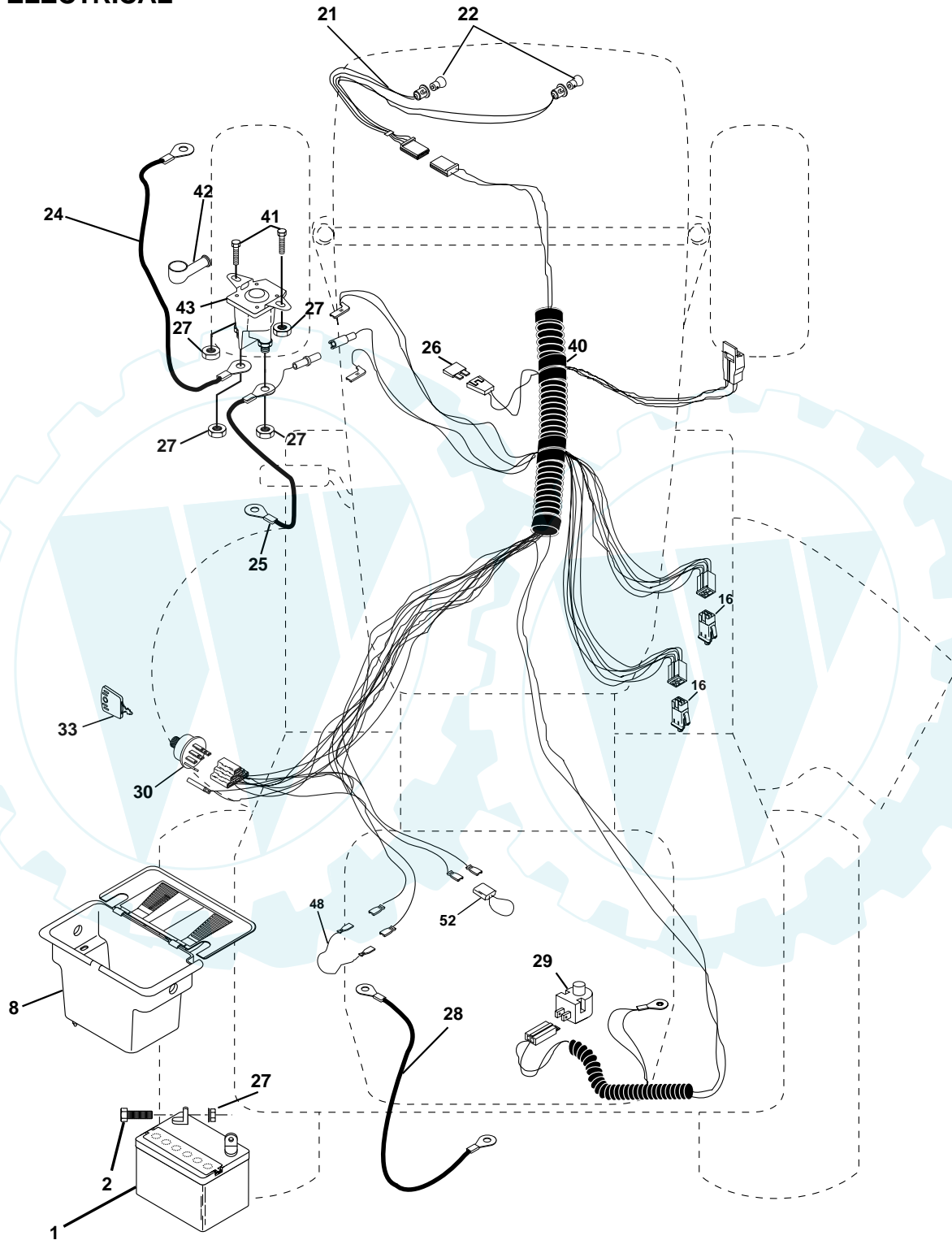
**WIRING INSULATED CLIPS**

**NOTE:** IF WIRING INSULATED CLIPS WERE REMOVED FOR SERVICING OF UNIT, THEY SHOULD BE REPLACED TO PROPERLY SECURE YOUR WIRING.

# REPAIR PARTS

## TRACTOR -- MODEL NUMBER 259724

### ELECTRICAL

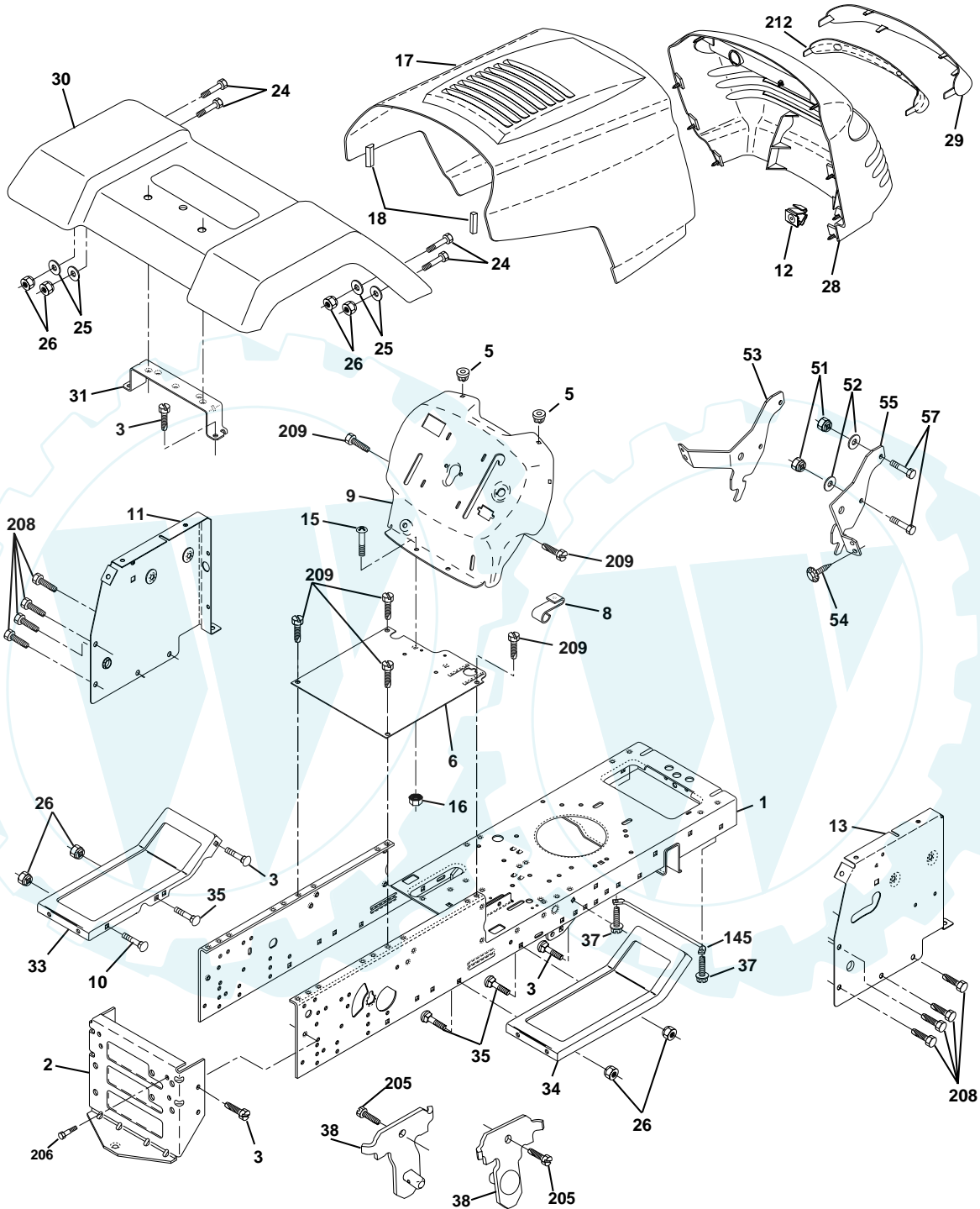


## ELECTRICAL

KEY NO.	PART NO.	DESCRIPTION
1	144925	Battery
2	74760412	Bolt Hex Hd 1/4-20unc X 3/4
8	156417	Case Battery
16	153664	Switch Interlock Push-In
21	166181	Harness Socket Light W/4152J
22	4152J	Bulb Light #1156
24	108423X	Cable Battery 6ga 161" red
25	146147	Cable Battery 6 Ga W/16 Wir red
26	<b>175158</b>	Fuse 15 AMP
27	73510400	Nut Keps Hex 1/4-20 Unc
28	4207J	Cable Ground 6ga 12" black
29	121305X	Switch Plunger Nc Gray
30	<b>175566</b>	Switch Ign
33	140401	Key Ign
40	<b>178437</b>	Harness Ign
41	71110408	Bolt Blk Hex 1/4-20unc x 1/2
42	131563	Cover Terminal Red
43	<b>178861</b>	Solenoid
48	140844	Adapter Ammeter Rectangular
52	141940	Protection Wire Loop

**NOTE:** All component dimensions given in U. S.  
inches 1 inch = 25/4 mm

### CHASSIS AND ENCLOSURES

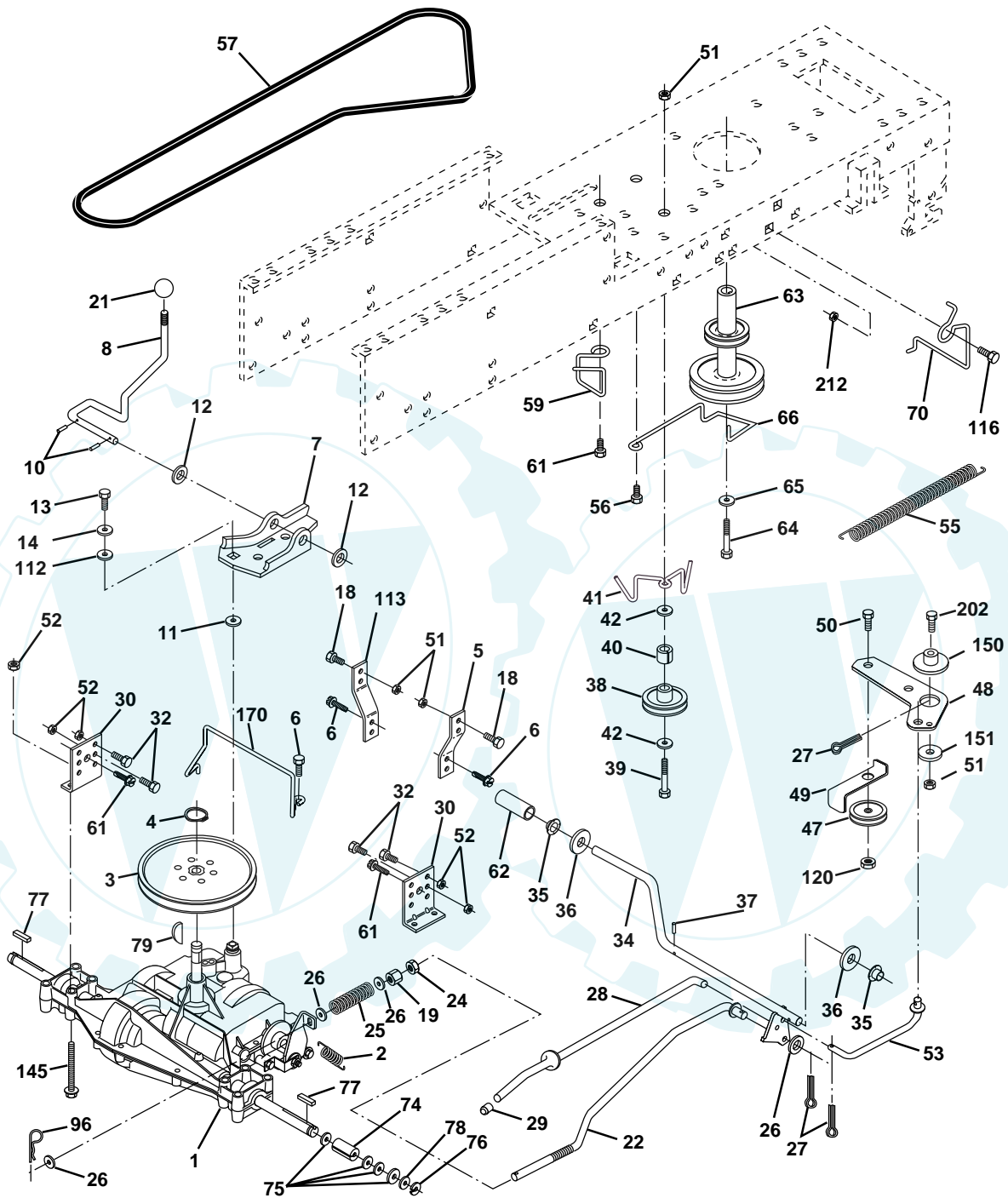


**CHASSIS AND ENCLOSURES**

KEY NO.	PART NO.	DESCRIPTION
1	<b>174620</b>	Chassis Lt Stamping
2	<b>176554</b>	Drawbar
3	17060612	Screw 3/8-16 x 3/4
5	155272	BumperHood/Dash
6	<b>174643X013</b>	Saddle SLKSCRE FLT SDL
8	155138	Clip Retainer Slide-on
9	168347X011	Dash Slkscr Plm Mech Sym
10	72140608	Bolt RdHd Sqnk. 3/8-16 x 1
11	155927	Panel Asm. Dash Lh
12	145660	Clip Tinnerman Grille P/L
13	172107X010	Panel Dash Rh
15	74180512	Screw Mach Trhd 5/16-18unc x 3/4
16	73510500	Nu Keps 5/16-18unc
17	159639X550	Hood Pnt Steel Private Label
18	126938X	BumperHood
24	74780616	Bolt Fin Hex 3/8-16 Unc x 1 Gr. 5
25	19131312	Washer 13/32 x 13/16 x 12 Ga.
26	73800600	Nut Lock Hex w/Ins 3/8-16 Unc
28	157373	Grill Private Lable Blk
29	140273X599	Lens Grille Private label
30	169465X550	Fender Pnt
31	136619	Bracket Fender Support
33	<b>105476X550</b>	Footrest Pnt. Lh
34	<b>105475X550</b>	Footrest Pnt. Rh
35	72110606	Bolt RdHd Sht. Sqnk. 3/8-16 x 3/4
37	17490508	Screw Thdrol 5/16-18 x 1/2 Tyt
38	<b>175710</b>	Bracket Asm. Pivot Mower Rear
51	73800400	Nut Lock Hex W/Ins. 1/4-20
52	19091416	Washer 9/32 x 7/8 x 16 Ga.
53	144697	Bracket Grille LH
54	161464	Screw Hex Wshd #8-18 x 7/8
55	144696	Bracket, Grille RH
57	74780412	Bolt Fin Hex 1/4-20 x 3/4
145	156524	Rod Pivot Chassis /Hood
205	<b>17490608</b>	Screw Thdrol 3/8-16 x 1/2
206	170165	Bolt Shoulder 5/16-18 TT
208	17670608	Screw Thdrol 3/8-16 x 1/2
209	17000612	Screw Hex Wsh Thdrol 3/8-16 BL
212	<b>156229</b>	Insert Lens Reflect
--	5479J	Plug Button Blk .359 Dia. Choke

**NOTE:** All component dimensions given in U. S. inches 1 inch = 25/4 mm

GROUND DRIVE

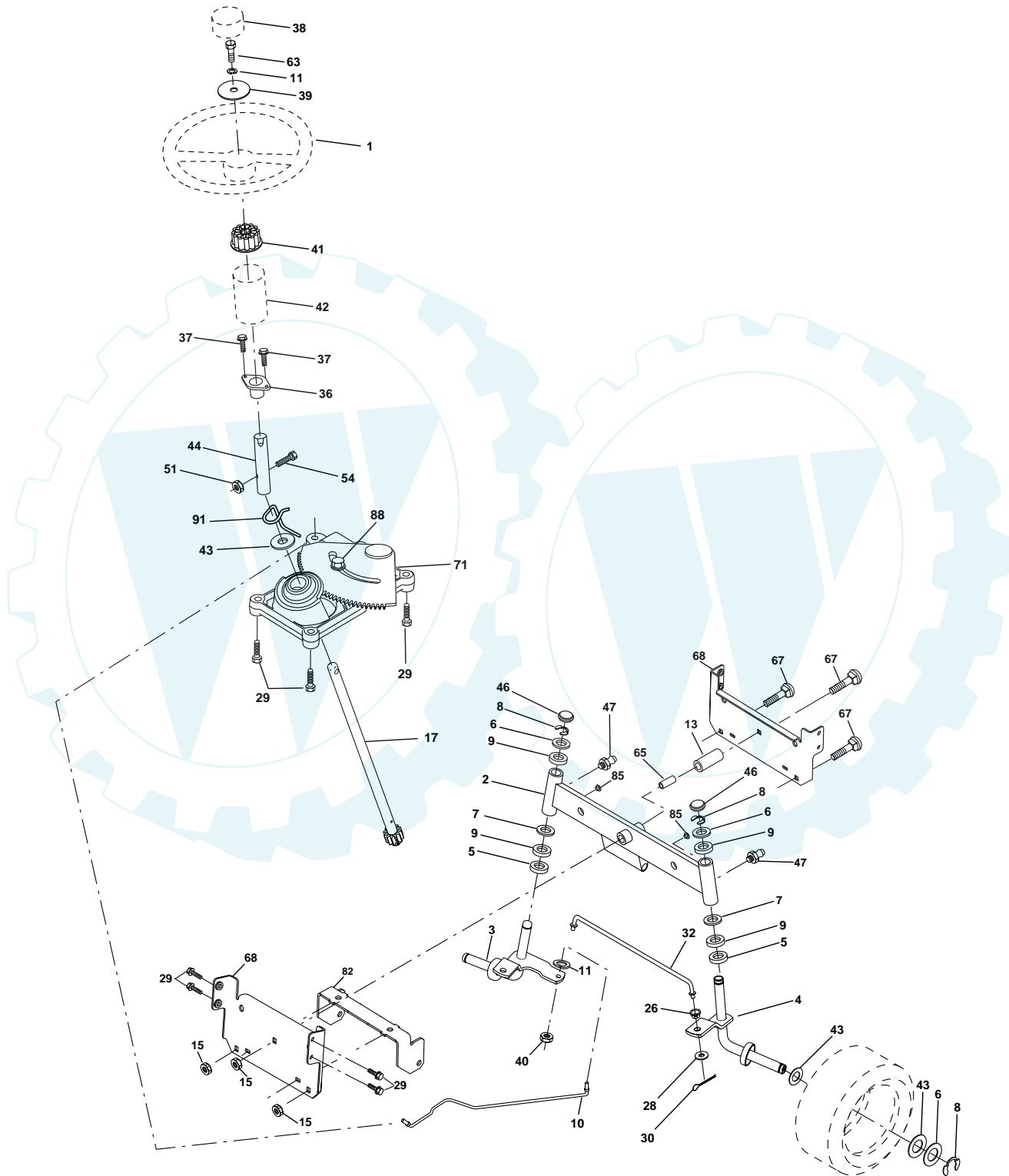


GROUND DRIVE

KEY NO.	PART NO.	DESCRIPTION	KEY NO.	PART NO.	DESCRIPTION
1	----	Transaxle Peerless <b>205-544C</b> (Order parts from transaxle manufacturer)	50	74760624	Bolt Hex Hd 3/8-16uncx1-1/2
2	146682	Spring Return Brake T/a Zinc	51	73680600	Nut Crownlock 3/8-16 UNC
3	123666X	Pulley Transaxle 18/20" tires	52	73680500	Nut Lock 5/16-18
4	12000028	Ring Retainer # 5100-62	53	105710X	Link Clutch 7 66
5	121520X	Strap Torque 30 Degrees	55	105709X	Spring Return Clutch 6 75
6	17060512	Screw 5/16-18 x 3/4	56	<b>17060616</b>	Screw 3/8-16 x 1
7	162240	Bracket Saddle Shift T/a	57	130801	V-Belt Gd Drive
8	131679	Rod Shf Sdl LY/YT Str Blk	59	169691	Keeper Belt Center Span
10	76020416	Pin Cotter 1/8 x 1 Cad	61	17060612	Screw 3/8-16 x 3/4
11	105701X	Washer Plate Shf	62	8883R	Cover Pedal Blk Round
12	19151216	Washer 15/32 x 3/4 x 16ga	63	<b>175410</b>	Pulley Engine
13	74550412	Bolt 1/4-28unf Gr8 W/Patch	64	71170764	Bolt Hex 7/16-20 x 4 Gr 5
14	10040400	Washer Lock Hvy Helical 1/4	65	10040700	Washer Lock Hvy Hlcl Spr 7/16
18	74780616	Bolt Fin Hex 3/8-16 x 1 Gr.5	66	154778	Keeper Belt Engine
19	73800600	Nut Lock 3/8-16 Unc	70	134683	Guide Belt Mower Drive RH
21	106933X	Knob Rd 1/2-13 Plstc Thds	74	137057	Spacer Axle
22	130804	Rod Brake Blk Zinc 26 840	75	121749X	Washer 25/32 x1 1/4 x 16 Ga
24	73350600	Nut Hex Jam 3/8-16 Unc	76	12000001	E-ring #5133-75
25	106888X	Spring Rod Brake 2 00 Zinc	77	123583X	Key Square 2 0 x 1845/ 1865
26	19131316	Washer 13/32 x 13/16x16 Ga	78	121748X	Washer 25/32 x 1-5/8 x 16ga
27	76020412	Pin Cotter 1/8 x 3/4 Cad	79	2228M	Key Woodruff #9 3/16 x 3/4
28	<b>175765</b>	Rod Brake Parking Lt/Yt	96	4497H	Retainer Spring
29	71673	Cap Brake Parking	112	19091210	Washer 9/32 x 3/4 x 10 Ga
30	<b>174973</b>	Bracket Mtg Transaxle	113	127285X	Strap Torque
32	74760512	Bolt Fin Hex 5/16-18 x 3/4	116	<b>72140608</b>	Bolt Rdhd Sq Neck 3/8-16 x 1
34	<b>175578</b>	Shaft Asm Pedal Foot Nibbed	120	<b>73900600</b>	Nut Lock 3/8-16
35	120183X	Bearing Nylon Blk 629 Id	145	74490540	Bolt Hex Flghd 5/16-18 Gr. 5
36	19211616	Washer 21/32 x 1 x 16 Ga	150	<b>175456</b>	Spacer Retainer
37	1572H	Pin Roll 3/16 x 1"	151	19133210	Washer 13/32 x 2 x 10 Ga
38	<b>165936</b>	Pulley Composite Flat	170	<b>173898</b>	Keeper Belt Transaxle Gear
39	<b>74760648</b>	Bolt Rdhd 3/8-16unc x 3 Gr.5	202	<b>72110614</b>	Bolt Carr Sh 3/8-16 x 1-3/4 Gr. 5
40	<b>175461</b>	Spacer Split 395 x 59 Bzp	212	<b>145212</b>	Nut Hex Flange Lock
41	<b>175556</b>	Keeper Belt Idler			
42	19131312	Washer 13/32 x 13/16x12 Ga			
47	127783	Pulley Idler V Groove Plastic			
48	154407	Bellcrank Clutch Grn Drv Stl			
49	123205X	Retainer Belt Style Spring			

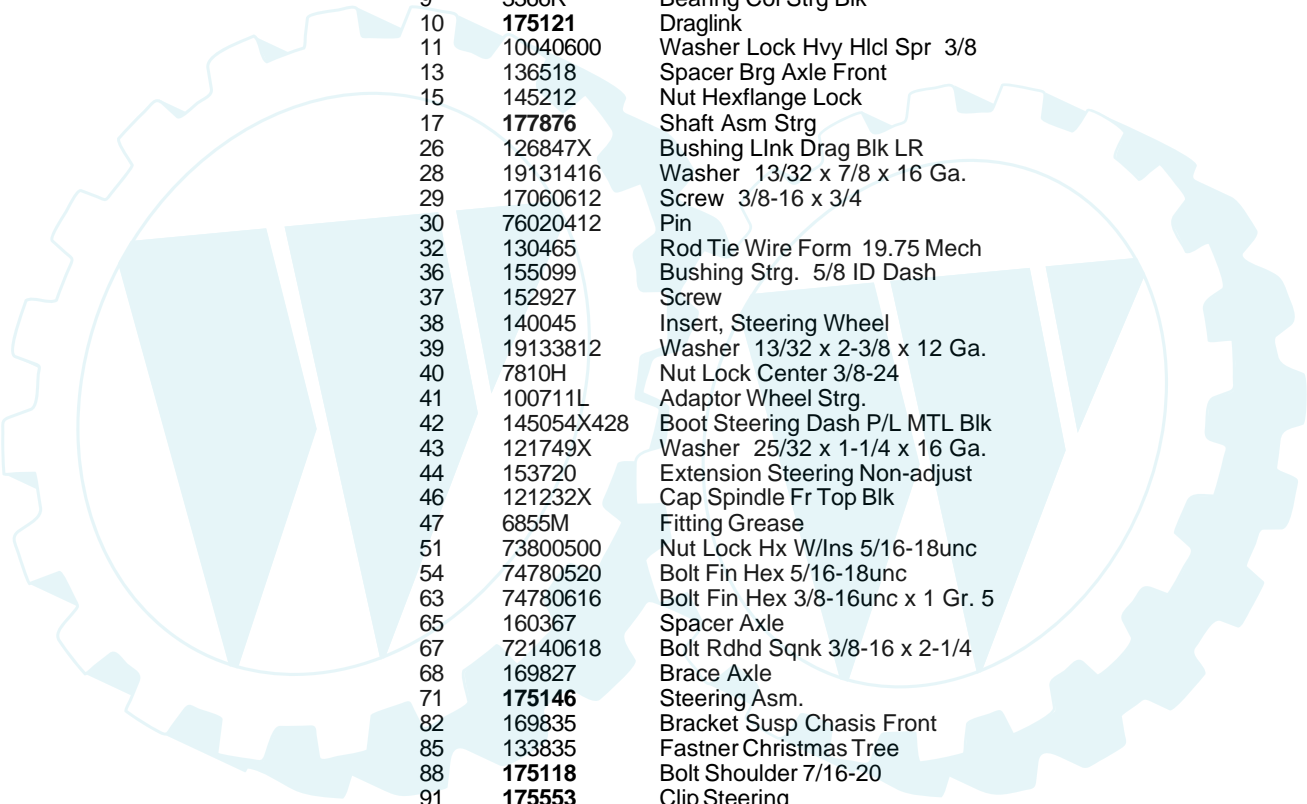
**NOTE:** All component dimensions given in U. S. inches 1 inch = 25/4 mm

# STEERING





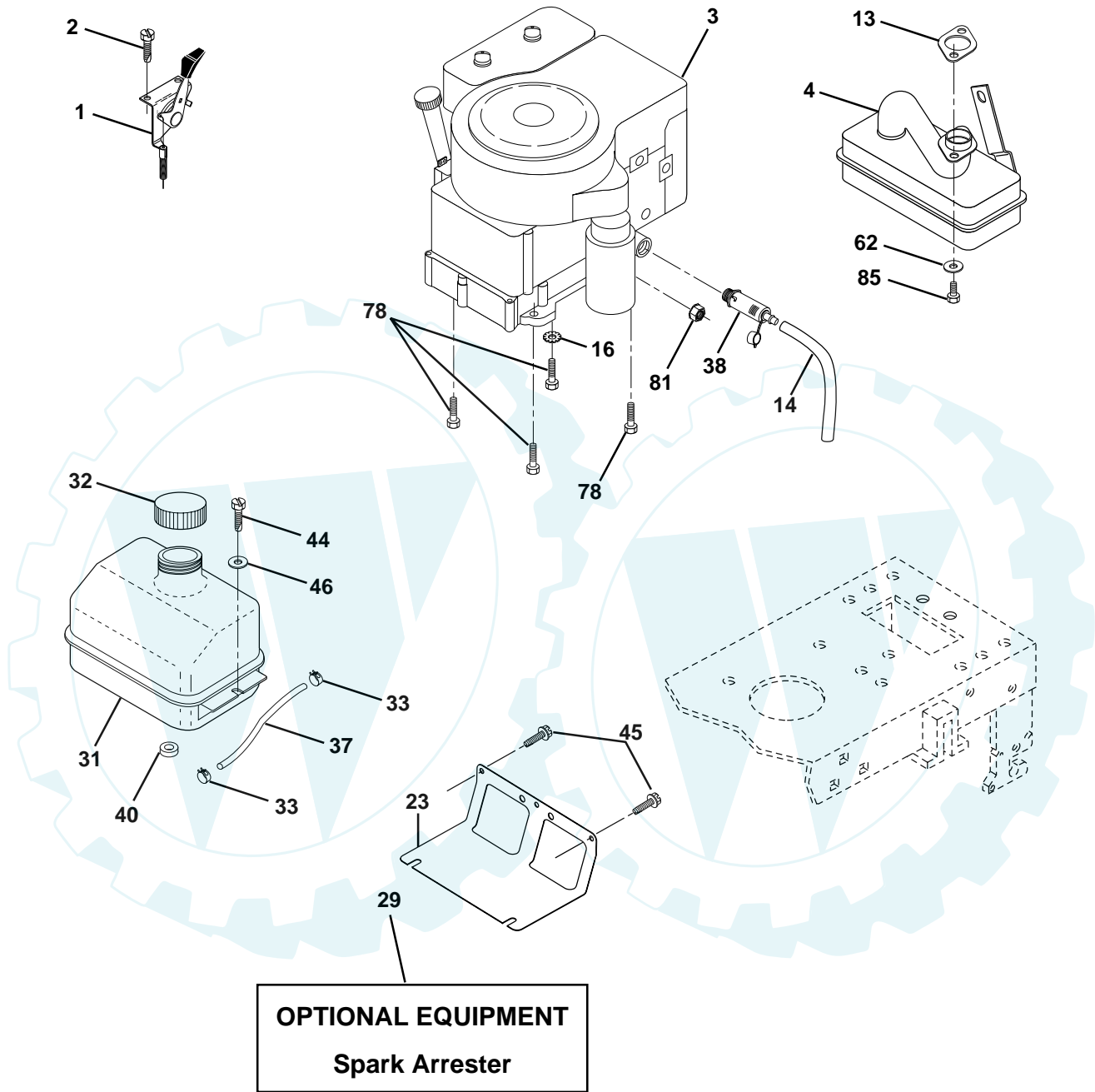
## STEERING



KEY NO.	PART NO.	DESCRIPTION
1	140044	Steering Wheel
2	154427	Front Axle Asm
3	<b>169840</b>	Spindle Asm Lh
4	<b>169839</b>	Spindle Asm Rh
5	6266H	Washer Thrust .75 x 1.230
6	121748X	Washer 25/32 x 1-5/8 x 16 Ga.
7	19272016	Washer 27/32 x 1-1/4 x 16 Ga.
8	12000029	RingKlip#T5304-75
9	3366R	Bearing Col Strg Blk
10	<b>175121</b>	Draglink
11	10040600	Washer Lock Hvy Hlcl Spr 3/8
13	136518	Spacer Brg Axle Front
15	145212	Nut Hexflange Lock
17	<b>177876</b>	Shaft Asm Strg
26	126847X	Bushing Link Drag Blk LR
28	19131416	Washer 13/32 x 7/8 x 16 Ga.
29	17060612	Screw 3/8-16 x 3/4
30	76020412	Pin
32	130465	Rod Tie Wire Form 19.75 Mech
36	155099	Bushing Strg. 5/8 ID Dash
37	152927	Screw
38	140045	Insert, Steering Wheel
39	19133812	Washer 13/32 x 2-3/8 x 12 Ga.
40	7810H	Nut Lock Center 3/8-24
41	100711L	Adaptor Wheel Strg.
42	145054X428	Boot Steering Dash P/L MTL Blk
43	121749X	Washer 25/32 x 1-1/4 x 16 Ga.
44	153720	Extension Steering Non-adjust
46	121232X	Cap Spindle Fr Top Blk
47	6855M	Fitting Grease
51	73800500	Nut Lock Hx W/Ins 5/16-18unc
54	74780520	Bolt Fin Hex 5/16-18unc
63	74780616	Bolt Fin Hex 3/8-16unc x 1 Gr. 5
65	160367	Spacer Axle
67	72140618	Bolt Rdhd Sqnk 3/8-16 x 2-1/4
68	169827	Brace Axle
71	<b>175146</b>	Steering Asm.
82	169835	Bracket Susp Chasis Front
85	133835	Fastner Christmas Tree
88	<b>175118</b>	Bolt Shoulder 7/16-20
91	<b>175553</b>	Clip Steering

**NOTE:** All component dimensions given in U. S.  
inches 1 inch = 25/4 mm

ENGINE

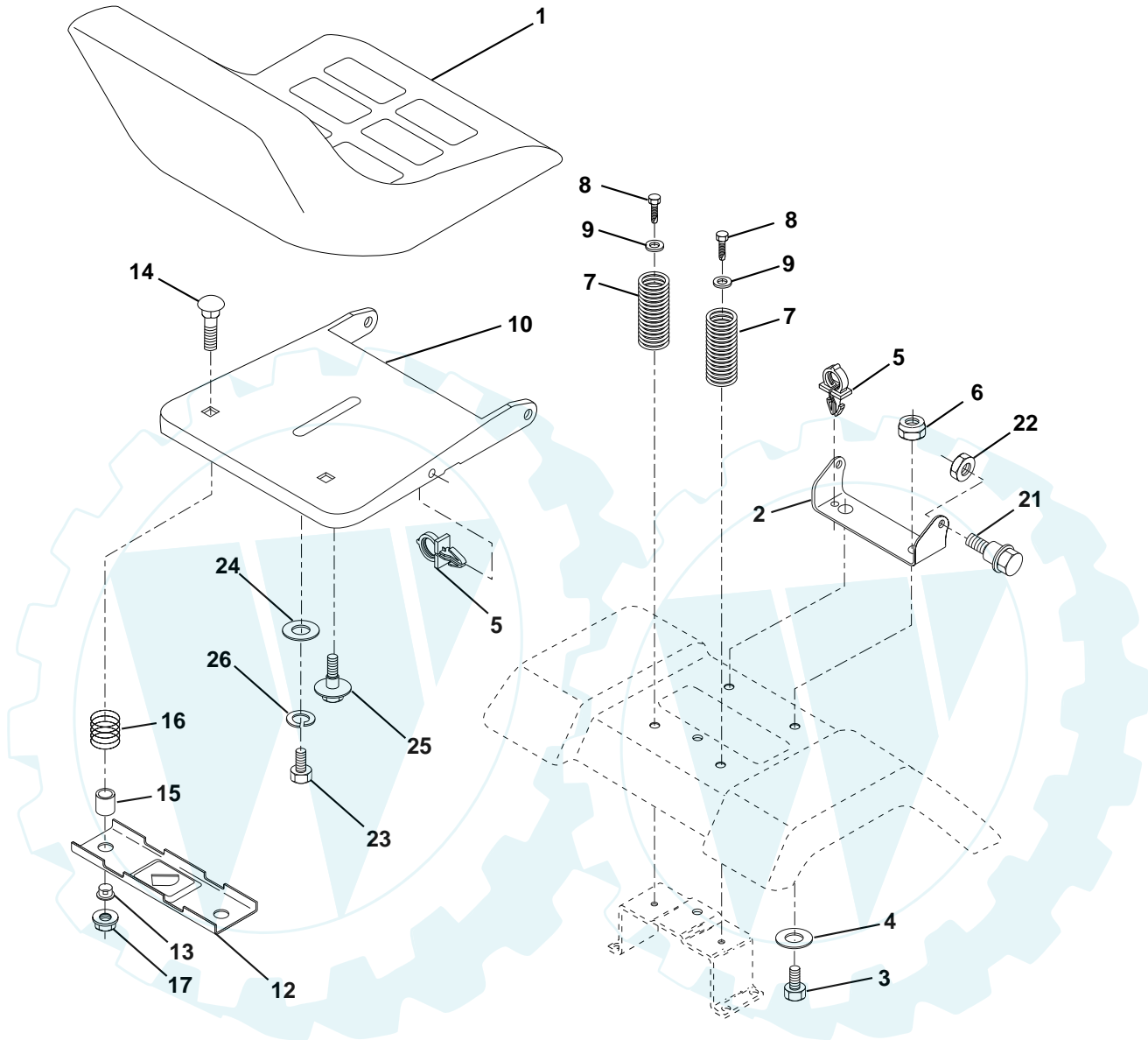


**ENGINE**

KEY NO.	PART NO.	DESCRIPTION
1	<b>170864</b>	Control Th/ch LH Flag
2	17720410	Screw Hex Thd Cut 1/4-20x5/8 T
3	-----	Engine Tecumseh, Model No. <b>OHV 135</b> (Order parts from engine manufacturer)
4	156700	Muffler
13	165291	Gasket Eng 1 313 Id Tin Plated
14	<b>148456</b>	Tube Drain Oil Easy
16	11050600	Washer Lock Ext Tooth 3/8
23	169837	Shield Browning/Debris Guard
29	137180	Kit Spark Arrestor (Flat Scrn)
31	109202X	Tank Fuel Front 1 25
32	140527X	Cap Asm Fuel Top Vented
33	123487X	Clamp Hose Blk
37	137040	Line Fuel 20"
38	<b>148315</b>	Plug Oil Drain
40	124028X	Bushing Snap Nyl Blk Fuel Line
44	17490412	Screw Hexwsh Thdrol 1/4-20 x 3/4
45	17000612	Screw 3/8-16 x 3/4
46	19091416	Washer 9/32 x 7/8 x 16 ga
62	10040500	Washer Lock Hvy Hlcl Spr 5/16
78	17060620	Screw 3/8-16 x 1-1/4
81	73510400	Nut Keps Hex 1/4-20 UNC
85	<b>123528X</b>	Bolt Hex

**NOTE:** All component dimensions given in U. S.  
inches 1 inch = 25/4 mm

SEAT ASSEMBLY

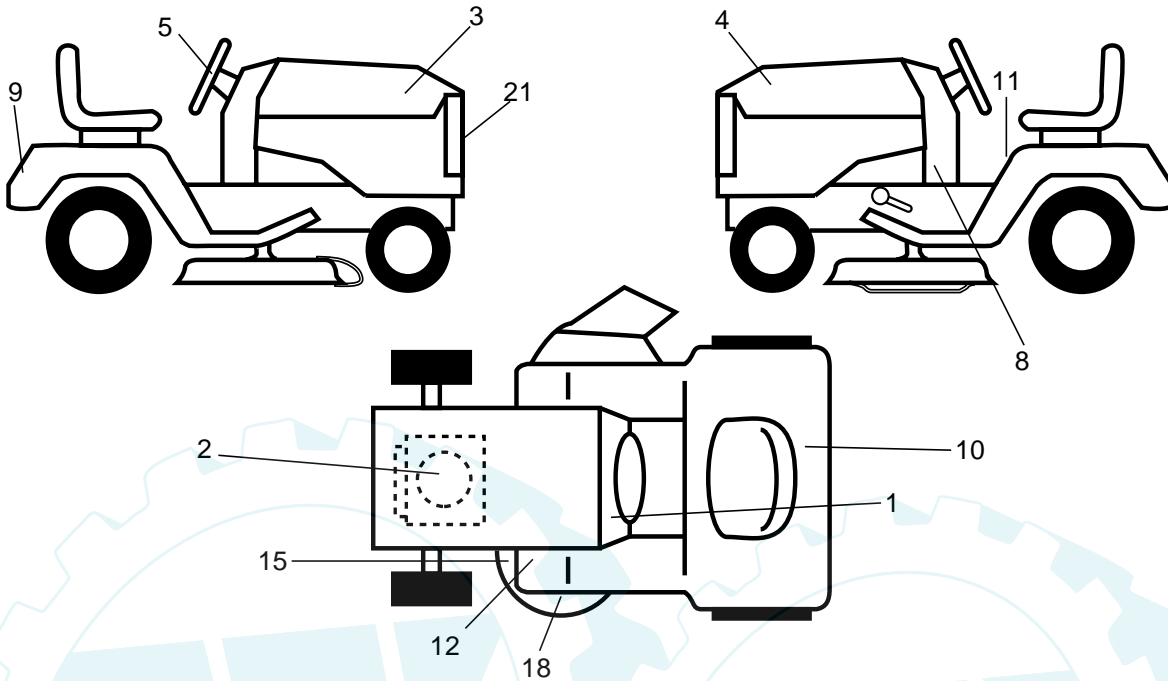


KEY NO.	PART NO.	DESCRIPTION
1	127426X	Seat
2	140551	Bracket Pvt St
3	71110616	Bolt Fin Hex 3/8-16unc X 1
4	19131610	Washer Flat 13/32 X 1X10 Ga
5	145006	Clip Push-In Hinged
6	73800600	Nut Crownlock 3/8-16 UNC
7	124181X	Spring Seat Cprsn 2 250 Blk
8	17000616	Screw 3/8-16 X 1-1/2
9	19131614	Washer 13/32 X 1 X 14 Ga
10	<b>174894</b>	Pan Seat
12	121246X	Bracket Mounting Switch
13	121248X	Bushing Snap Blk Nyl 50 Id
14	72050412	Bolt Rdhd Sht 1/4-20x1-1/2

KEY NO.	PART NO.	DESCRIPTION
15	134300	Spacer Split 28x 96 Yel Zinc
16	121250X	Spring Cprsn 1 27 Blk Pnt
17	123976X	Nut Lock 1/4 Lge Flg Gr 5
21	171852	Bolt Shld 5/16-18 Unc-2A
22	73800500	Nut Crown Lock Hex 5/16-18
23	<b>71110814</b>	Bolt Hex Black
24	19171912	Washer 17/32 X1-3/16X12 Ga
25	127018	Bolt Shoulder
26	10040800	Washer Lock Hvy Hlcl 1/2

**NOTE:** All component dimensions given in U. S. inches 1 inch = 25/4 mm

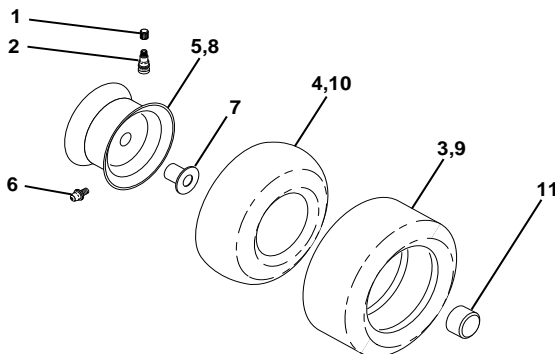
## DECALS



KEY NO.	PART NO.	DESCRIPTION
1	156867	Decal Oper P/L Eng
2	64-1726-29	Decal Engine HP
3	164578	Decal Hood Rh
4	164579	Decal Hood Lh
5	162398	Decal Ins Strg Whl
8	164424	Decal Panel Dash
9	171448	Decal Fender Logo
10	145005	Decal Battery Dngr/Psn
11	156439	Decal Danger Fender

KEY NO.	PART NO.	DESCRIPTION
12	4900J	Decal Clutch/brake English
15	136832	Decal Mower Drive Schem 38
18	163128	Decal Mower Enviro
21	162392	Decal Grille Logo
--	138311	Decal Lift Handle
--	<b>179186</b>	Manual Owners English
--	<b>179187</b>	Manual Owners Spanish

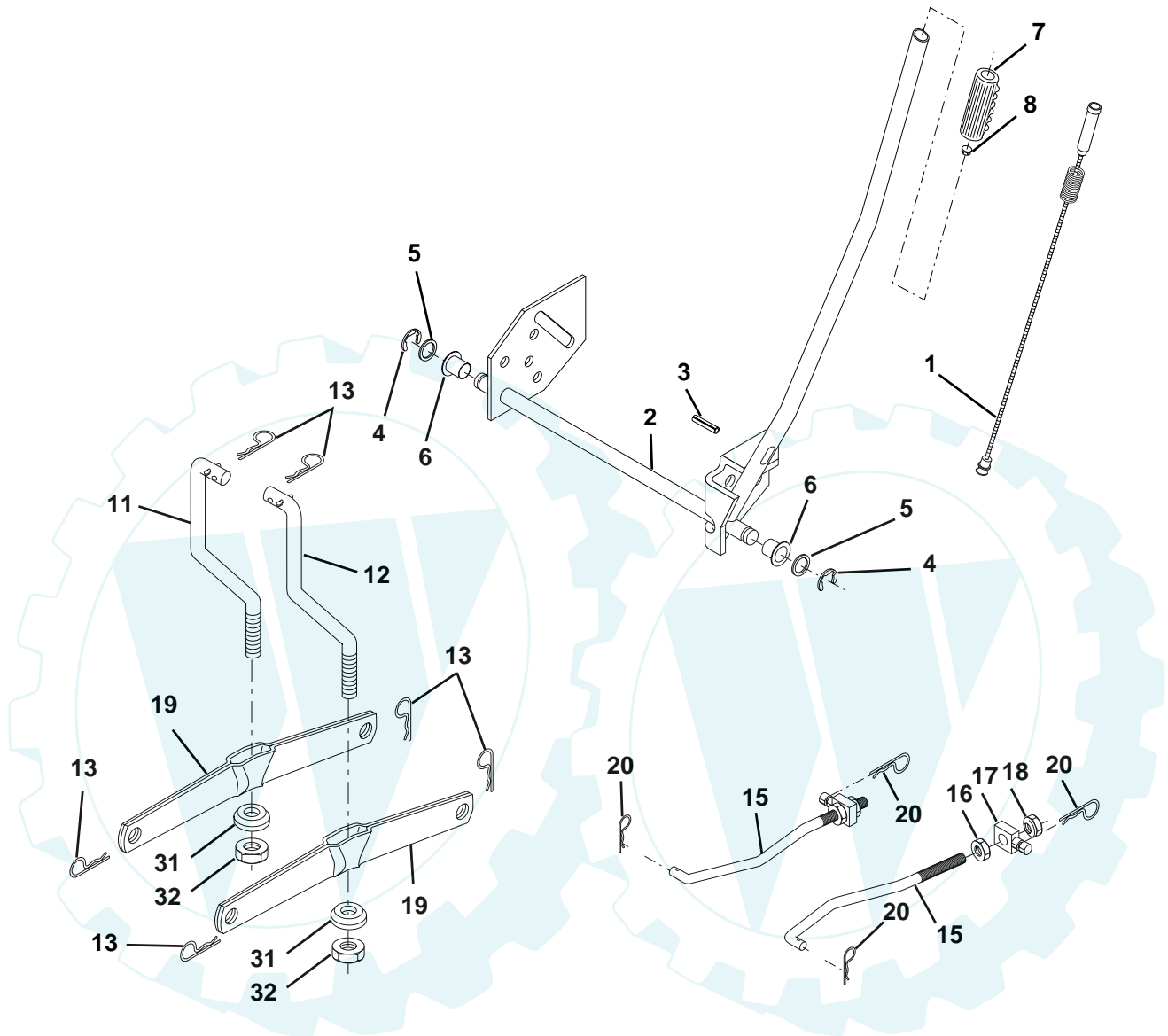
## WHEELS AND TIRES



KEY NO.	PART NO.	DESCRIPTION
1	59192	Cap Value Tire
2	65139	Stem Value
3	106222X	Tire F Ts 15 X 6 0 - 6 Service
4	59904	Tube Inner Front #35060
5	106732X427	Rim Asm 6"front White Service
6	278H	Fitting Grease
7	9040H	Bearing Flange
8	106108X427	Rim Asm 8"rear White Service
9	124635X	Tire R Ts 18x8 5-8 Service
10	7152J	Tube Rear 9 5 X 8 Service
11	104757X	Cap Axle Blk 1 50 X 1 00
--	144334	Sealant, Tire (10 oz. tube)

**NOTE:** All component dimensions given in U. S. inches 1 inch = 25/4 mm

## LIFT ASSEMBLY

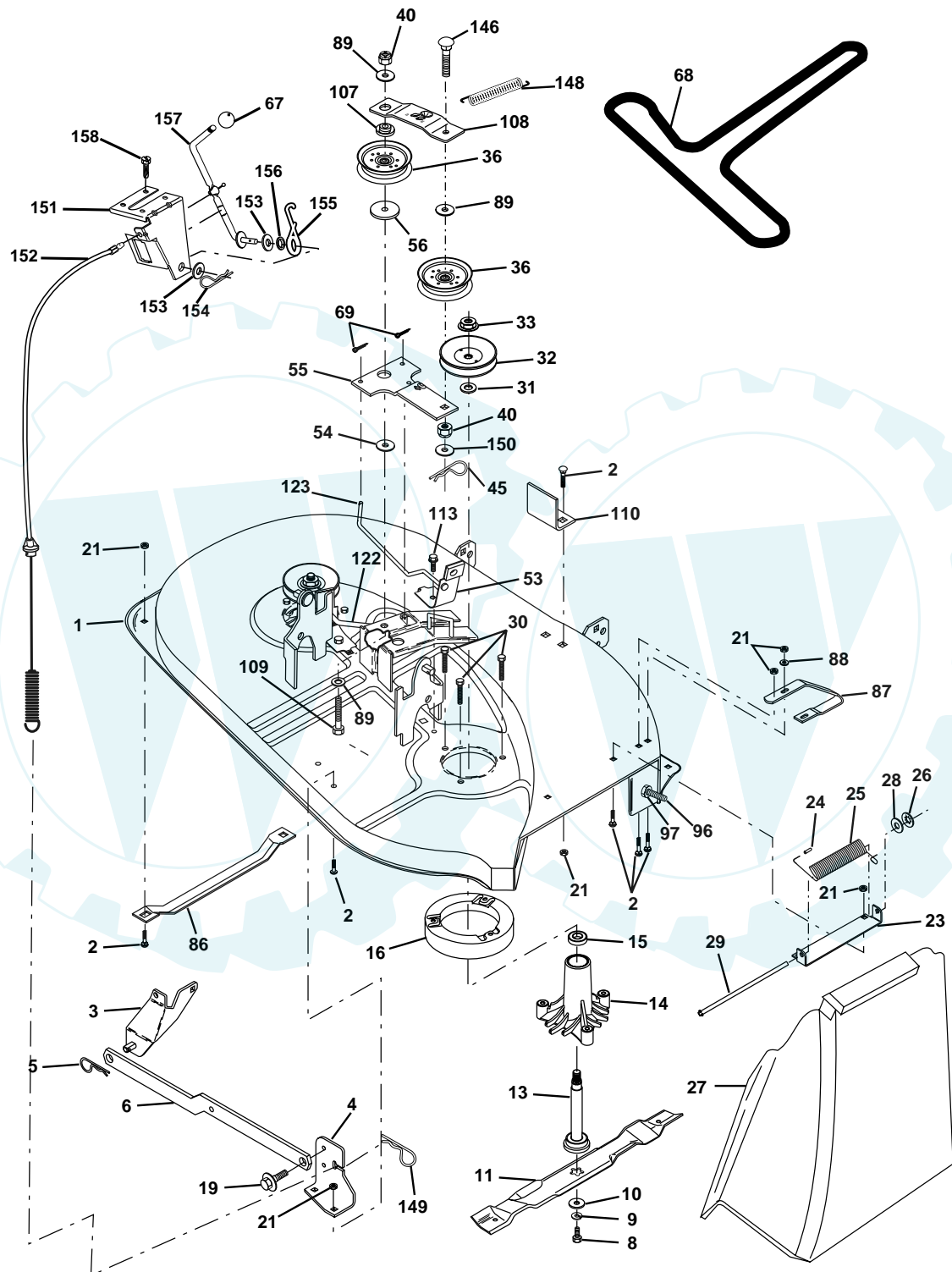


## LIFT ASSEMBLY

KEY NO.	PART NO.	DESCRIPTION
1	159460	Wire Asm Inner/Sprg W/plunger LT
2	159471	Shaft Asm Lift
3	105767X	Pin Groove 1 500 Zinc
4	12000002	E Ring #5133-62
5	19211621	Washer Pltd 21/32 X 1 X 21ga
6	120183X	Bearing Nylon Blk 629 Id
7	109413X	Grip Handle bicycle Matte
8	124526X	Button Plunger Red
11	139865	Link Lift LH
12	139866	Link Lift RH
13	4939M	Retainer Spring
15	<b>173288</b>	Link Front
16	73350800	Nut Jam Hex 1/2-13 Unc
17	<b>175689</b>	Trunnion Blk Zinc
18	73800800	Nut Lock W/Wsh 1/2-13unc
19	139868	Arm Suspension Rear
20	163552	Retainer Spring Zinc
31	<b>169865</b>	Bearing Pvt Lift Spherical
32	73540600	Nut Crownlock 3/8-24

**NOTE:** All component dimensions given in U. S. inches 1 inch = 25/4 mm

MOWER DECK





**MOWER DECK**

KEY NO.	PART NO.	DESCRIPTION	KEY NO.	PART NO.	DESCRIPTION
1	170280	Mower Deck Assembly	67	106932X	Knob RD 3/8-16 Plstc Thd
2	72140506	Bolt	68	144200	Belt
3	138017	Bracket Assembly,Sway Bar	69	76020312	Pin, Cotter 3/32 x 3/4
4	169970	Bracket Sway Bar Deck	86	7631J	Runner, LH
5	4939M	Retainer Spring	87	128772	Runner, RH
6	130832	Arm, Suspension, Rear	88	19111216	Washer 11/32 x 3/4 x 16 Ga
8	850857	Bolt, Hex 3/8-24 x 1.25 Gr. 8	89	19131612	Washer 13/32 x 1 x 12 Ga
9	10030600	Washer, Lock Hvy Hlcl 3/8	96	<b>74930620</b>	Bolt 3/8-16 x 1-1/4
10	140296	Washer, Hardened	97	<b>73930600</b>	Nut Centerlock 3/8-16
11	138497	Blade, Mower 38	107	133502	Spacer, Retainer
13	137645	Shaft Assembly, Mandrel, Vented	108	133503	Stiffener, Idler Arm
14	128774	Housing, Mandrel, Vented	109	74760640	Bolt, Hex Head 3/8-16 x 2-1/2
15	110485X	Bearing, Ball, Mandrel	110	142587	Upstop Deck Front 38
16	<b>174493</b>	Stripper, Vented Mower Deck	113	17060512	Screw 5/16-18 x 3/8
19	132827	Bolt, Shoulder	122	131289	Rod, Brake, LH
21	73680500	Nut Crownlock 5/16-18	123	169971	Rod, Brake, RH
23	137607	Bracket, Mower Deflector	146	165891	Bolt Carriage Idler
24	105304X	Cap, Sleeve	148	169022	Spring Return Idler
25	123713X	Spring, Torsion, Deflector	149	165898	Retainer Spring Yellow Zinc
26	110452X	Nut, Push	150	19091216	Washer 9/32 x 3/4 x 16 Ga.
27	106736X428	Shield, Deflector	151	169670	Bracket Clutch
28	19111016	Washer 11/32 x 5/8 x 16 Ga.	152	172758	Cable Clutch 38 In
29	106735X	Rod, Hinge	153	169674	Washer Flat 3/8" Type B
30	157722	Screw Thdrol Washer Head	154	169675	Spring Retainer
31	129963	Washer, Spacer	155	169671	Spring Retention Lever
32	153532	Pulley, Mandrel	156	169672	Spacer
33	<b>178342</b>	Nut, Toplock, Flanged	157	169669	Rod Clutch
36	131494	Pulley, Idler, Flat	158	17720410	Screw Hex Thd Cut 1/4-20x5/8
40	73680600	Nut Crownlock 3/8-16	--	130794	Mandrel Assembly (Includes Key Numbers 13-15, 17-19, 31 and 33)
45	4497H	Retainer, Spring	--	170317	Replacement Mower, Complete
53	130840	Brake Assembly			
54	133943	Washer, Hardened			
55	133840	Idler Arm Assembly			
56	165723	Spacer, Retainer			

**NOTE:** All component dimensions given in U. S. inches 1 inch = 25/4 mm