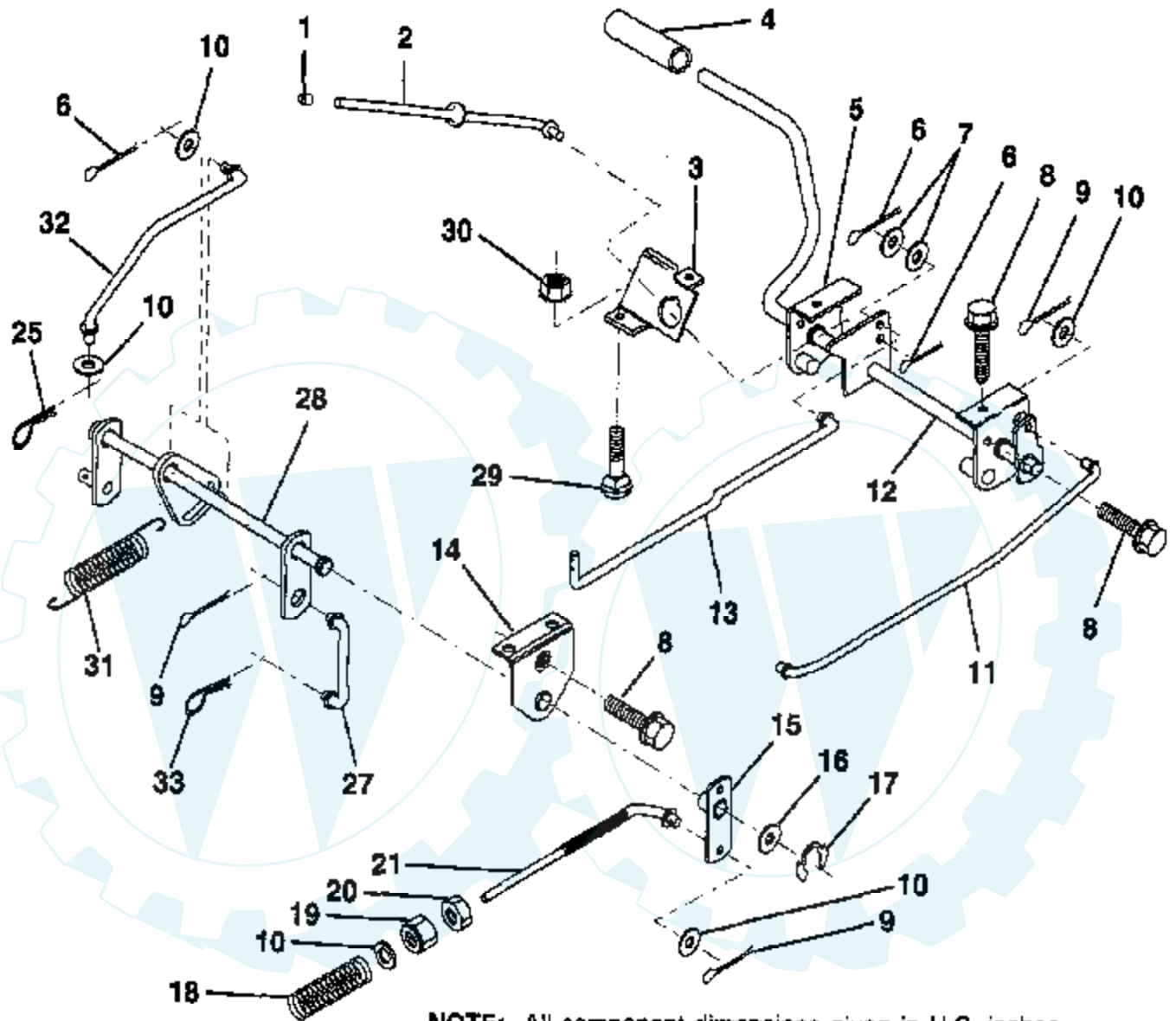


12 HP 38" TRACTOR - - MODEL NUMBER 1D2A3A BRAKE / REAR MOWER LIFT ASSEMBLY

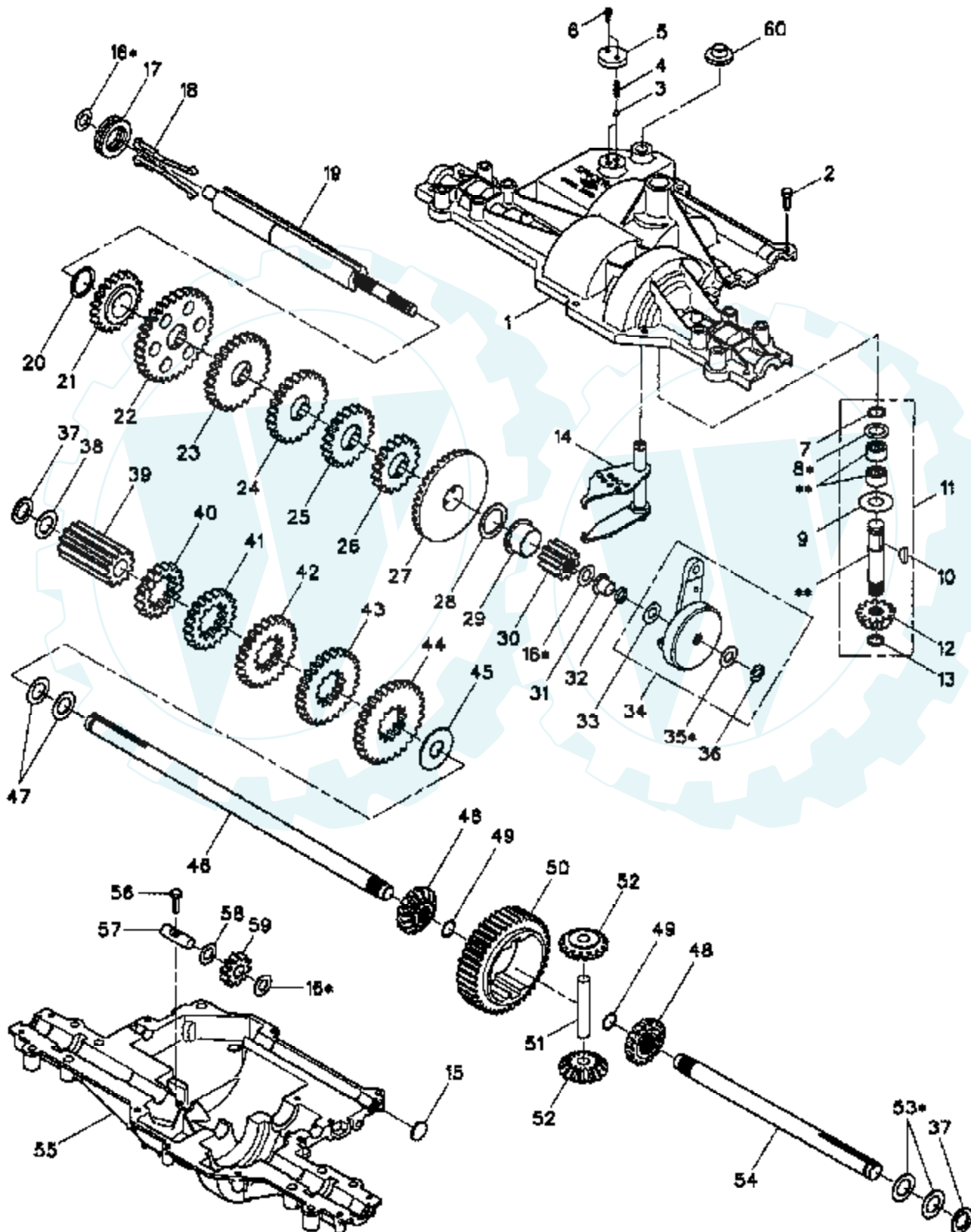


NOTE: All component dimensions given in U.S. inches
1 inch = 25.4 mm

HARDWARE SHOWN LARGER FOR EASIER IDENTIFICATION

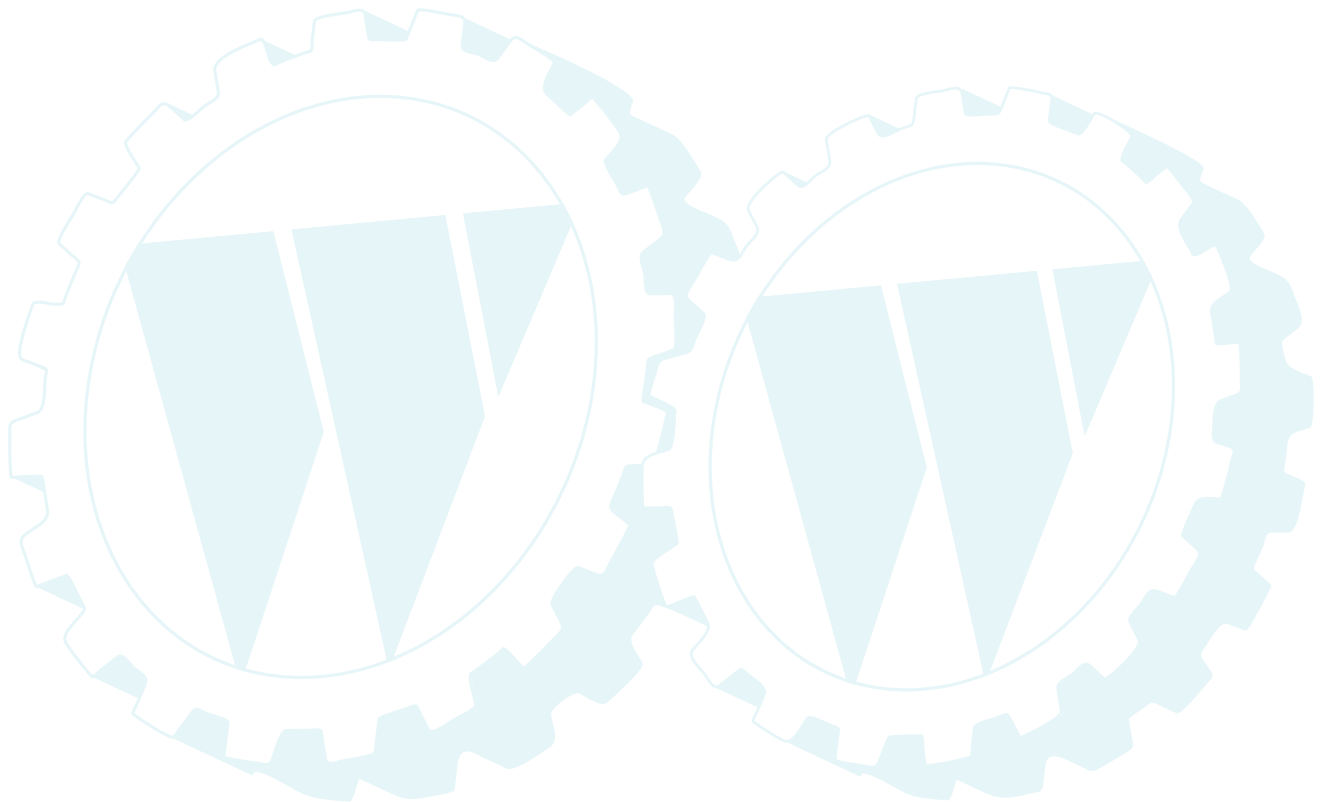
| Ref # | Part Number | Qty | Description |
|-------|-------------|-----|-------------------|
| 1 | 71673 | | PLUNGER CAP T |
| 2 | 123436X | | "ROD,PARK BRAKE" |
| 3 | 123437X | | "BRKT,PARK BRAKE" |
| 4 | 8883R | | PEDAL COVER T |
| 5 | 132205 | | BRK ASM CLUT LH |
| 6 | 76020312 | | SUB= 3145 |
| 7 | 19131016 | | WASHER |
| 8 | 17490508 | | SCREW LT |
| 9 | 76020412 | | COTTER PIN |
| 10 | 19131316 | | WASHER |
| 11 | 123543X | | "ROD,FRT BRAKE" |
| 12 | 136263 | | ASM CLUTCH/BRK PD |
| 13 | 123394X | | "ROD,CLUTCH" |
| 14 | 121978X | | "BRKT,LIFT SHAFT" |
| 15 | 123641X | | BRAKE PIVOT ARM |
| 16 | 19251816 | | WASHER T |
| 17 | 12000034 | | KLIP RING |
| 18 | 106888X | | SPRING ROD LT |
| 19 | 73350600 | | NUT |
| 20 | 73800800 | | NUT.LK.W/WSH.1/2. |
| 21 | 131936 | | ROD.BRAKE.REAR |
| 25 | 4921H | | SPRING.RETAINER |
| 27 | 136780 | | LINK LIFT REAR LR |
| 28 | 136779 | | LIFT ASM MWR RE |
| 29 | 72110506 | | SUB= 72270506 |
| 30 | 73510500 | | NUT |
| 31 | 133095 | | COUNTER SPRING |
| 32 | 133721 | | LINK LIFT LEVER |
| 33 | 4939M | | SUB= 85902 |

12 HP 38" TRACTOR - - MODEL NUMBER 1D2A3A
DANA TRANSAXLE - MODEL NUMBER 2000-06



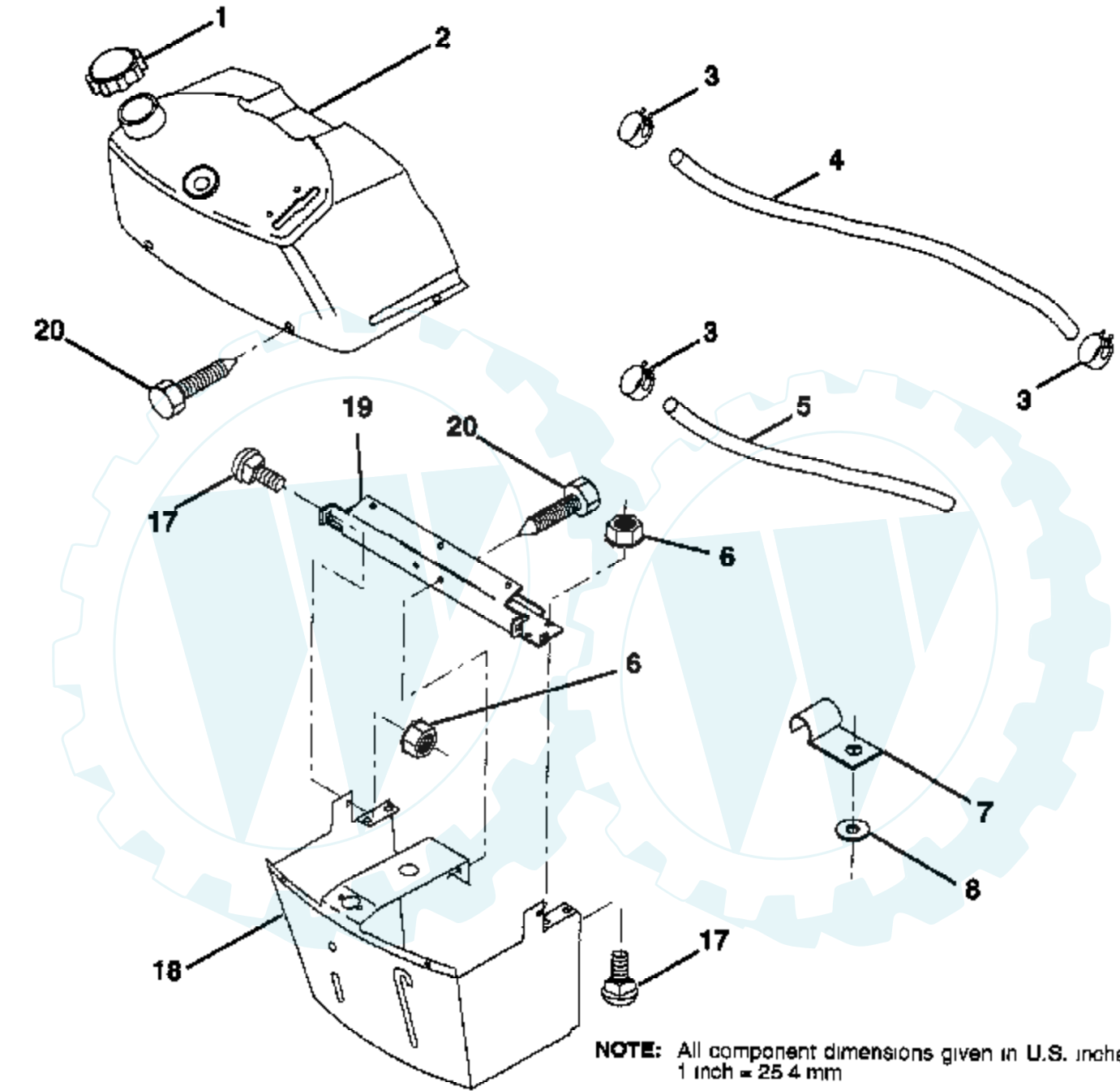
| Ref # | Part Number | Qty | Description |
|-------|-------------|-----|-----------------------------------|
| 1 | 139171 | | HOUSING, UPPER |
| 2 | 2274J | | SUB= 74760412 |
| 3 | 134400 | | SUB= 68003 |
| 4 | 134423 | | SPRING, DETENT |
| 5 | 134422 | | COVER, DETENT |
| 6 | 6731J | | SCREW, TAPPING, LARGE #8-32 X .50 |
| 7 | 2267J | | RETAINING RING LT |
| 8 | 134793 | | ASM KIT SHIM 4689 |
| 9 | 120415X | | WASHER T |
| 10 | 2257J | | WOODRUFF KEY |
| 11 | 134390 | | ASSEMBLY, KIT, INPUT SHAFT |
| 12 | 134381 | | PINION,, BEVE, 13 TEETH |
| 13 | 134383 | | RING, RETAINING |
| 14 | 134387 | | ASSEMBLY, SHIFTER |
| 15 | 134428 | | SEAL |
| 16 | 134393 | | ASSEMBLY, KIT, SHIM, .500 SHAFT |
| 17 | 105913X | | SUB= 138246 |
| 18 | 134391 | | ASSEMBLY, KIT, CLUTCH KEYS |
| 19 | 134415 | | SHAFT, DRIVE |
| 20 | 105916X | | "RING,RETAINING LT" |
| 21 | 134409 | | GEAR, SPUR, 20 TEETH |
| 22 | 134408 | | GEAR , SPUR, 32 TEETH |
| 23 | 134407 | | GEAR, SPUR, 26 TEETH |
| 24 | 134406 | | GEEAR, SPUR, 24 TEETH |
| 25 | 134403 | | GEAR, SPUR, 20 TEETH |
| 26 | 134402 | | GEAR, SPUR, 17 TEETH |
| 27 | 134410 | | GEAR, BEVEL, 39 TEETH |
| 28 | 134429 | | WASHER, PLAIN 1,135 X 1.56 X .062 |
| 29 | 134421 | | BEARING, FLANGE |
| 30 | 134418 | | GEAR, SPUR, 10 TEETH |
| 31 | 134420 | | BEARING, FLANGE |
| 32 | 134439 | | SEAL |
| 33 | 120464X | | WASHER T |
| 34 | 139166 | | ASSEMBLY, KIT CONE BRAKE |
| 35 | 134395 | | ASSEMBLY, KIT, SHAM .464 SHAFT |
| 36 | 134438 | | KLIP RING |
| 37 | 134401 | | NEOPRENE WASHER |
| 38 | 2263J | | WASHER 062 |
| 39 | 134411 | | GEAR, SPUR, 12 TEETH |
| 40 | 134380 | | GEAR, SPUR, 17 TEETH |
| 41 | 134384 | | GEAR, SPUR, 20 TEETH |
| 42 | 134414 | | GEAR, SPUR, 24 TEETH |
| 43 | 134413 | | GEAR, SPUR, 26 TEETH |
| 44 | 134412 | | GEAR SPUR, 29 TEETH |
| 45 | 134382 | | WASHER, PLAIN, .758 X 1.88 X .062 |
| 46 | 139167 | | AXLE, L.H. |
| 47 | 2264J | | WASHER 031 |
| 48 | 110081X | | GEAR 15T T |
| 49 | 105941X | | "RING,RETAINING LT" |
| 50 | 134419 | | GEAR, SPUR, 41 TEETH |
| 51 | 120952X | | SHAFT T |
| 52 | 110082X | | GEAR 1ST T |
| 53 | 134394 | | ASM KIT SHIM |
| 54 | 139168 | | AXLE, R.H. |
| 55 | 139169 | | HOUSING, LOWER |
| 56 | 2274J | | SUB= 74760412 |
| 57 | 134385 | | SHAFT, IDLER |
| 58 | 120465X | | WASHER T |

| Ref # | Part Number | Qty | Description |
|-------|-------------|-----|----------------------|
| 59 | 139170 | | GEAR, SPUR, 10 TEETH |
| 60 | 134399 | | SHIFTER BOOT |
| 61 | 120416X | | SUB= 126976X |



12 HP 38" TRACTOR - - MODEL NUMBER 1D2A3A

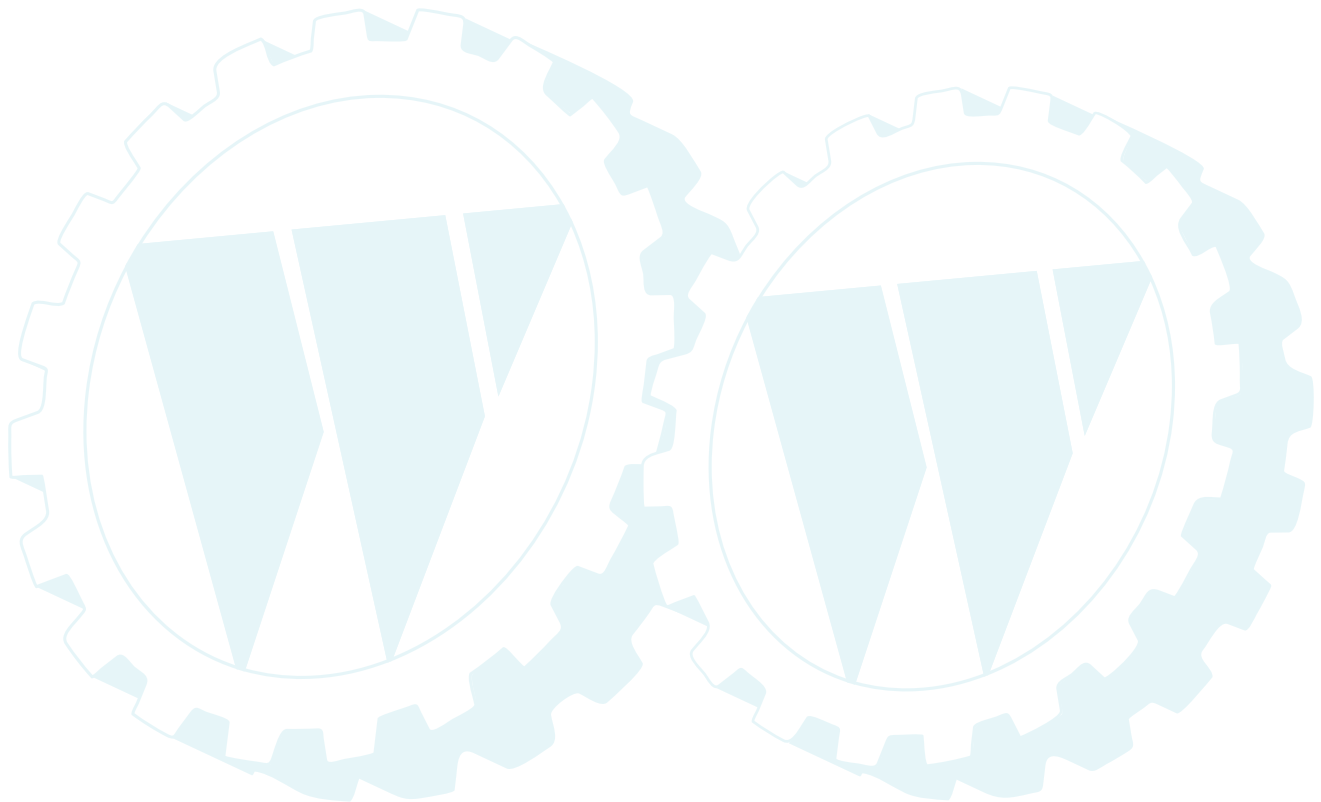
DASHBOARD



NOTE: All component dimensions given in U.S. inches
1 inch = 25.4 mm

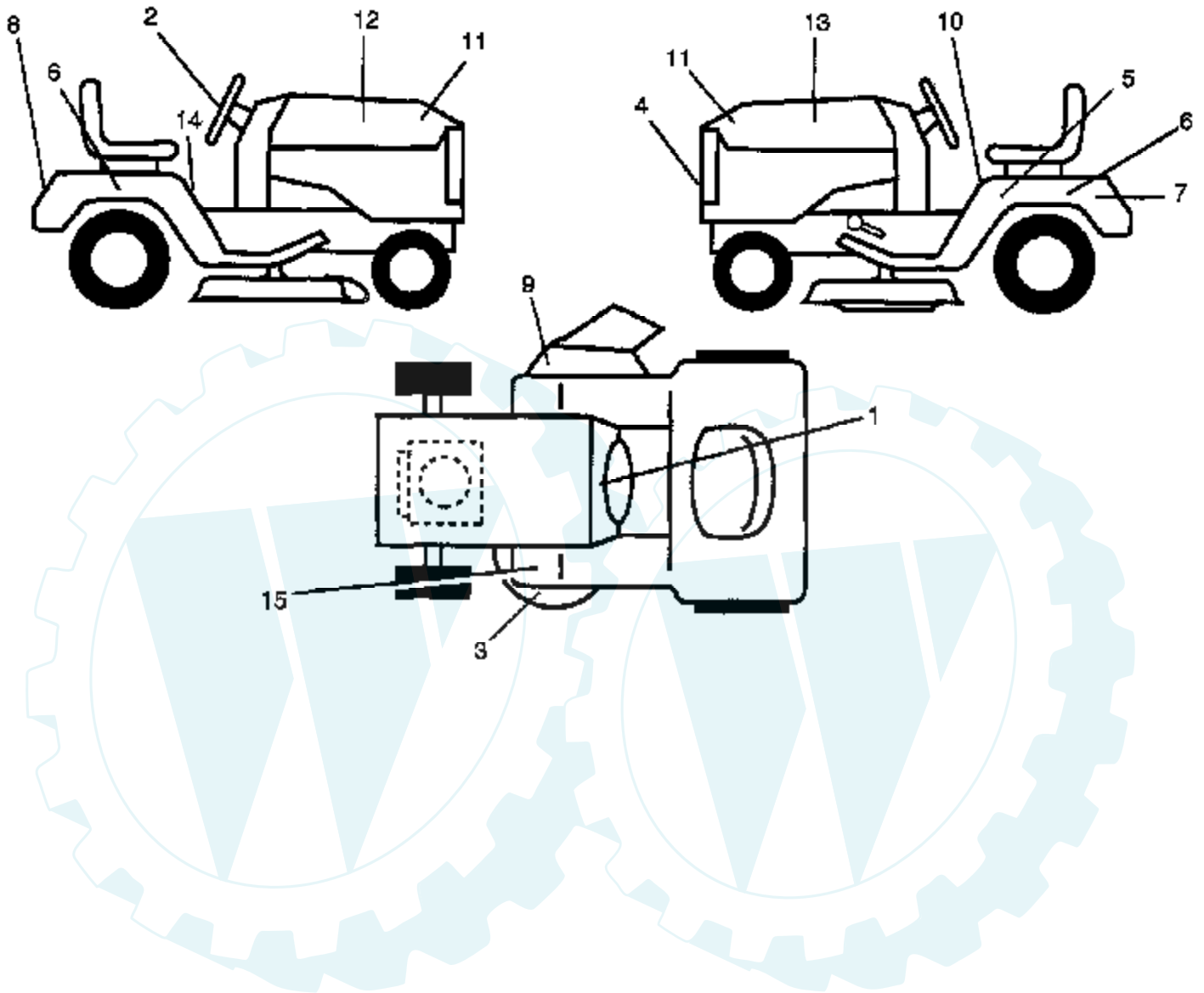
HARDWARE SHOWN LARGER FOR EASIER IDENTIFICATION

| Ref # | Part Number | Qty | Description |
|-------|-------------|-----|------------------|
| 1 | 132734 | | CAP.FUEL.N/VENT |
| 2 | 138392 | | TANK.ASM.DASH.LR |
| 3 | 123487X | | HOSE CLAMP |
| 4 | 8544R | | SUB= 295J |
| 5 | 8548R | | FUEL LINE T |
| 6 | 73510400 | | NUT |
| 7 | 2751R | | CLIP T |
| 8 | 19091216 | | WASHER PM |
| 17 | 72110404 | | BOLT |
| 18 | 131886 | | SUPT ASM DASH |
| 19 | 134744 | | CROSS BRACE |
| 20 | 17060408 | | SCREW.1/4-20X1/2 |

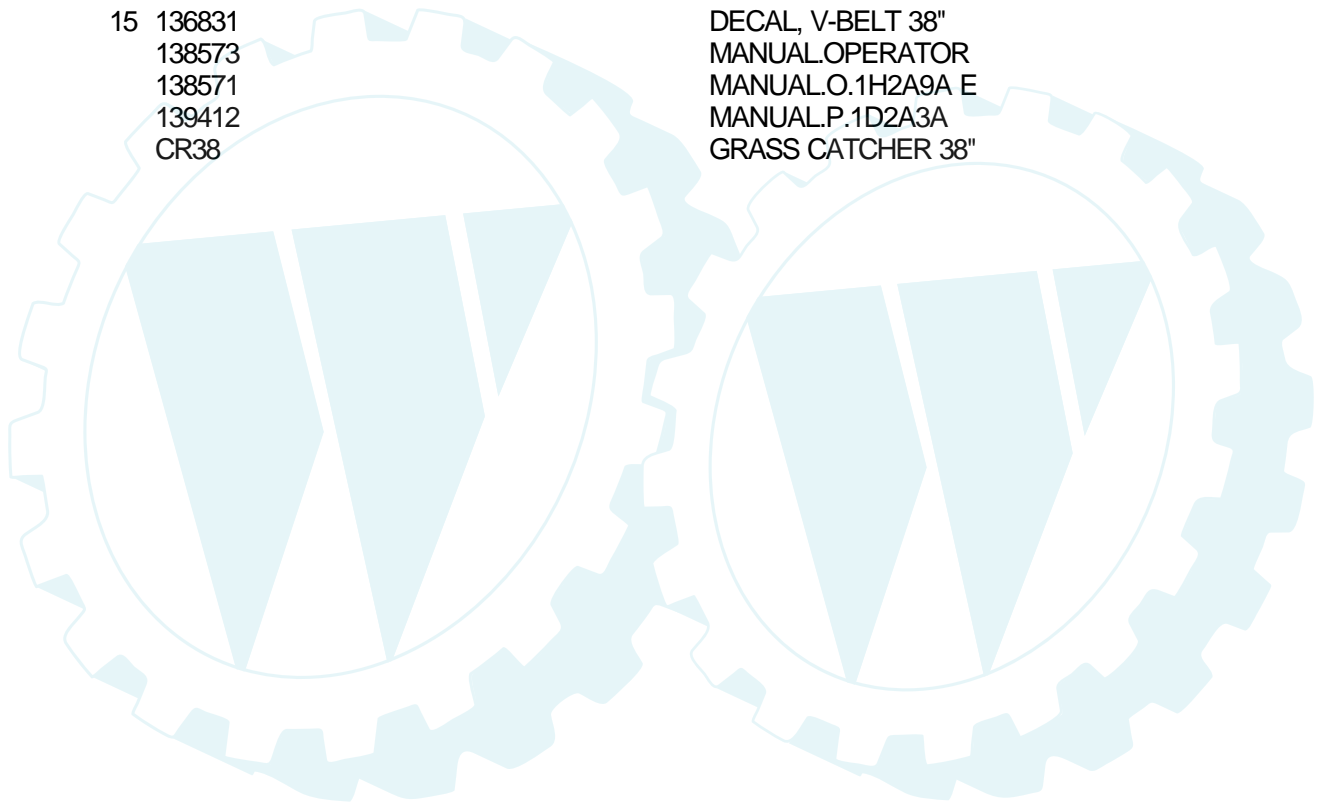


12 HP 38" TRACTOR - - MODEL NUMBER 1D2A3A

DECALS

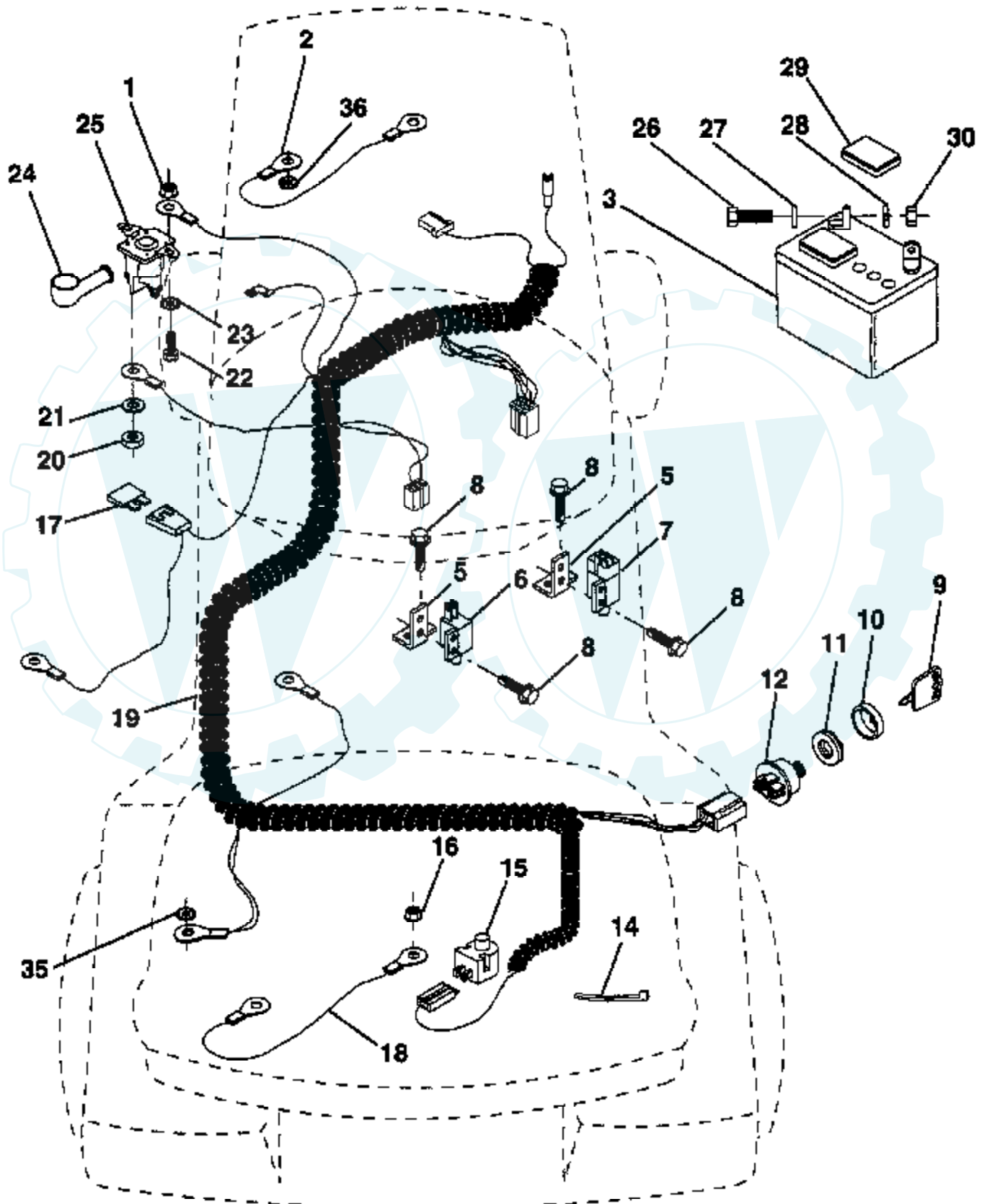


| Ref # | Part Number | Qty | Description |
|-------|-------------|-----|-------------------|
| 1 | 123637X | | SUB= 138269 |
| 2 | 127075 | | "DECAL,STR WHL" |
| 3 | 135013 | | NLA |
| 4 | 132627 | | GRILL DECAL |
| 5 | 132928 | | IND HGT DECK DECA |
| 6 | 138804 | | DECAL.FEND.QUICKS |
| 7 | 121549X | | DECAL |
| 8 | 132628 | | FENDER DECAL |
| 9 | 137259 | | "DECAL, WARNING" |
| 10 | 133795 | | DECAL CAUTION |
| 11 | 137460 | | DECAL.HOOD.INSERT |
| 12 | 136503 | | NLA |
| 13 | 136504 | | NLA |
| 14 | 139191 | | DECAL.SHIFT.CTR. |
| 15 | 136831 | | DECAL, V-BELT 38" |
| | 138573 | | MANUAL.OPERATOR |
| | 138571 | | MANUAL.O.1H2A9A E |
| | 139412 | | MANUAL.P.1D2A3A |
| | CR38 | | GRASS CATCHER 38" |



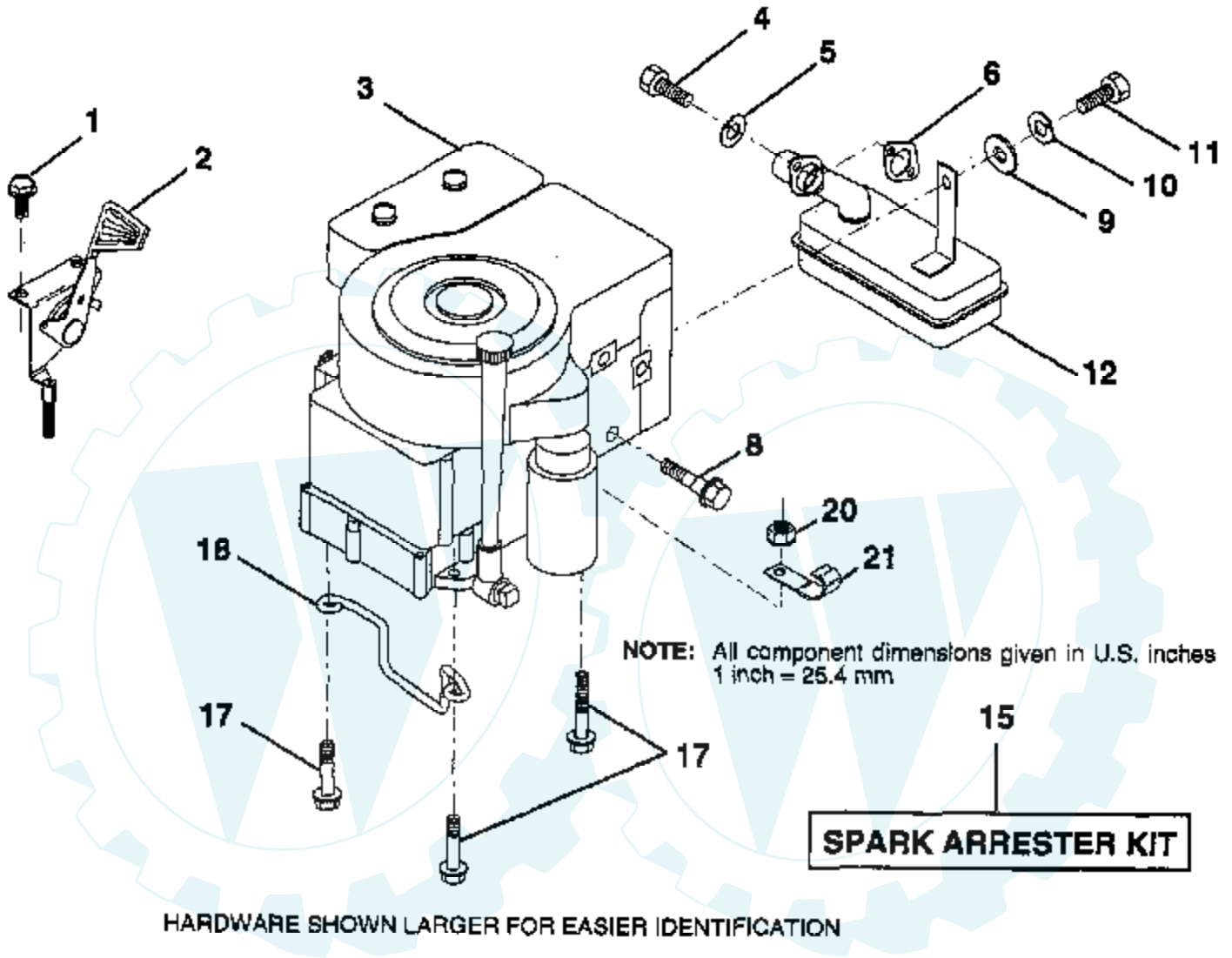
12 HP 38" TRACTOR -- MODEL NUMBER 1D2A3A

ELECTRICAL

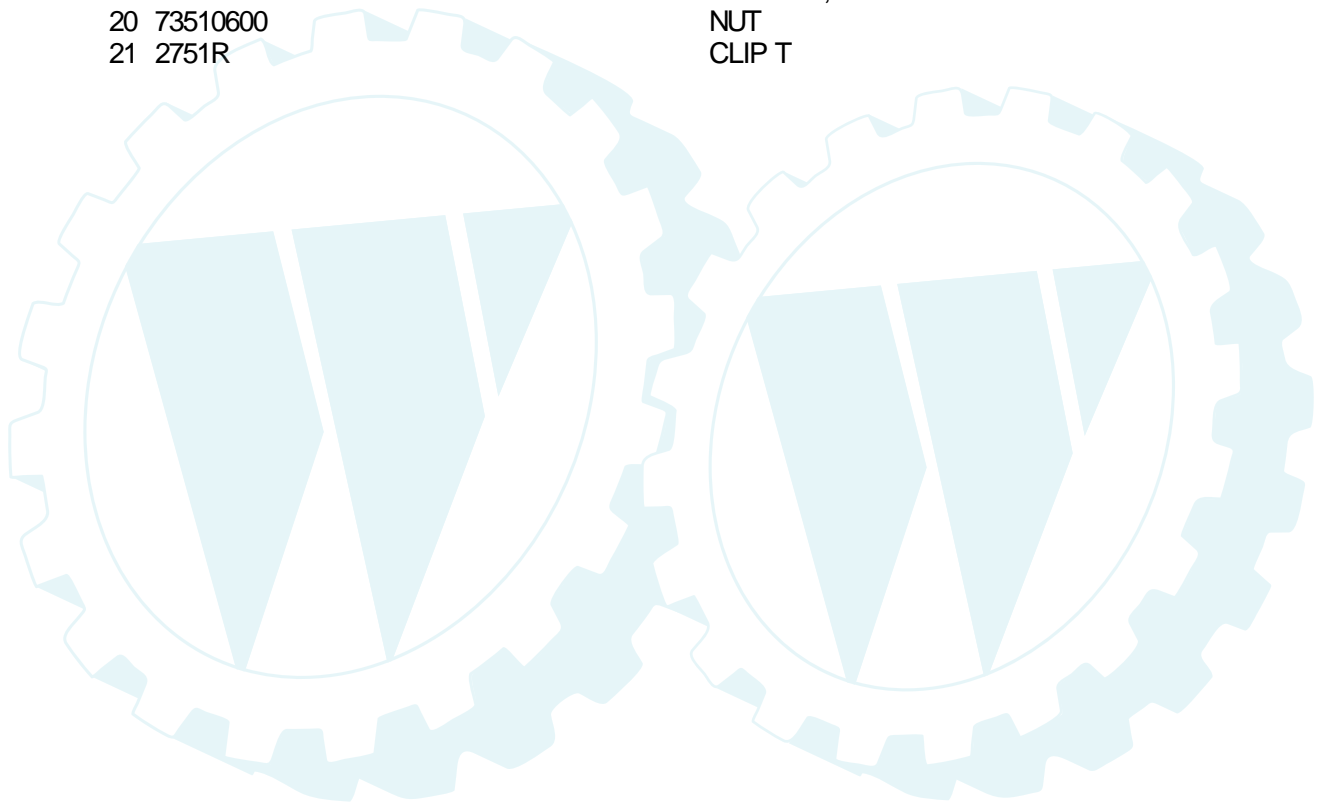


| Ref # | Part Number | Qty | Description |
|-------|-------------|-----|-------------------|
| 1 | 73510400 | | NUT |
| 2 | 108423X | | CABLE ASM. |
| 3 | 133909 | | SUB= 123899X |
| 5 | 108236X | | BRACKET LT |
| 6 | 104445X | | SWITCH-INTER. GT |
| 7 | 109553X | | SWITCH INTERLOCKT |
| 8 | 17021008 | | SCREW |
| 9 | 122147X | | KEY |
| 10 | 123620X | | SUB= 141226 |
| 11 | 124211X | | NUT IGNITION |
| 12 | 4406R | | SUB= STD365402 |
| 14 | 7192J | | WIRE TIE |
| 15 | 121305X | | SWITCH SEAT |
| 16 | 73510500 | | NUT |
| 17 | 108824X | | FUSE HYT |
| 18 | 128353 | | CABLE ASSY |
| 19 | 137953 | | HARNESS.IGN |
| 20 | 73350400 | | NUT |
| 21 | 10090400 | | SUB= 10040400 |
| 22 | 74780408 | | BOLT |
| 23 | 11050400 | | LOCKWASHER |
| 24 | 131563 | | SUB= 154336 |
| 25 | 138406 | | SUB= 146154 |
| 26 | 74760412 | | BOLT LT |
| 27 | 19091016 | | WASHER |
| 28 | 10040400 | | LOCKWASHER |
| 29 | 121264X | | "CAP,BATTERY " |
| 30 | 73220400 | | SUB= 50675 |
| 31 | 7662J | | SUB= 4152J |
| 32 | 136849 | | SUB= 136850 |
| 33 | 110712X | | SWITCH LT |
| 35 | 11050600 | | LOCKWASHER |
| 36 | 11150400 | | LOCKWASHER |

12 HP 38" TRACTOR -- MODEL NUMBER 1D2A3A ENGINE / THROTTLE

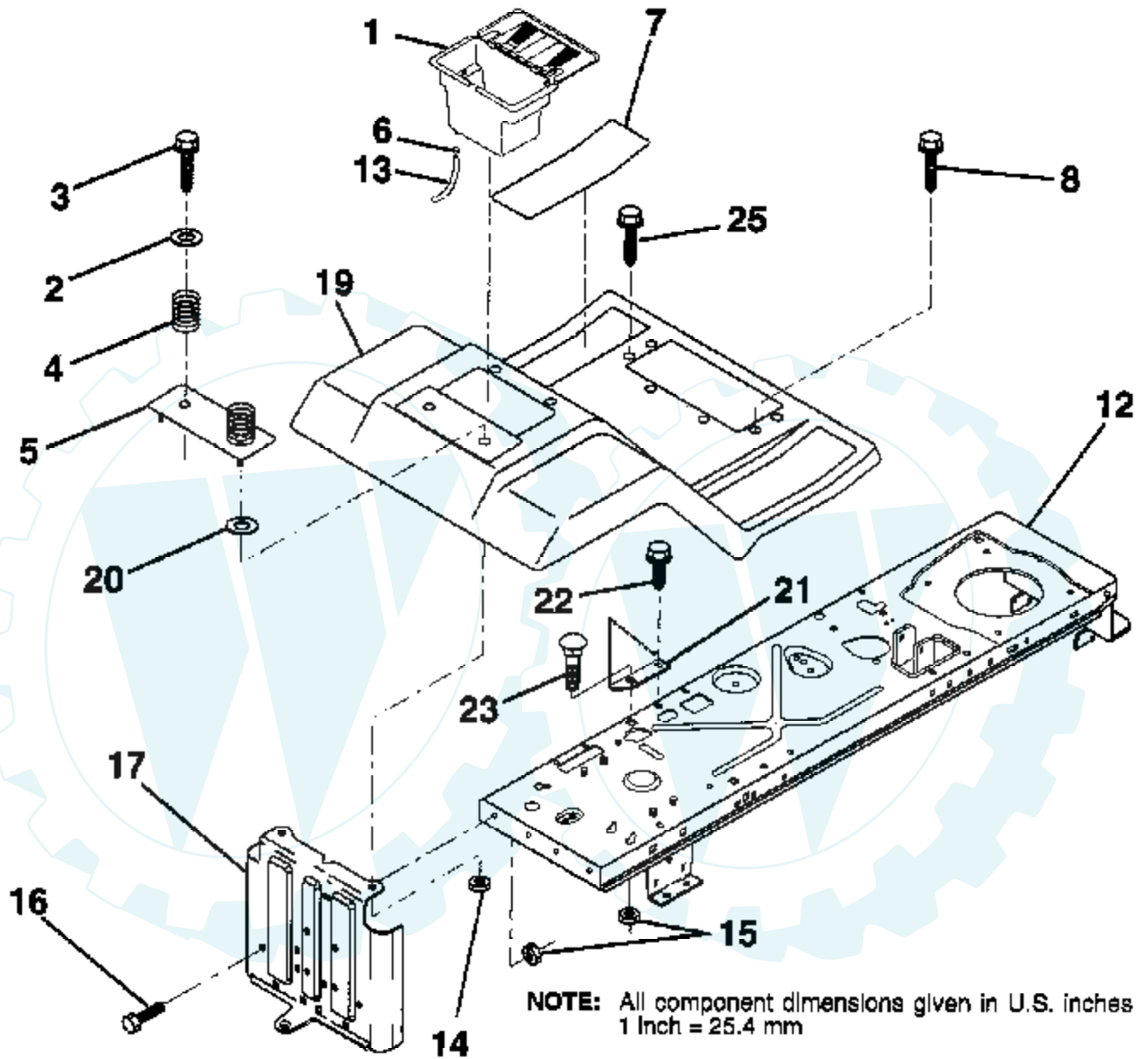


| Ref # | Part Number | Qty | Description |
|-------|-------------|-----|---------------------|
| 1 | 17060408 | | SCREW.1/4-20X1/2 |
| 2 | 132521 | | THROTTLE CONTROL |
| 3 | | | REFER TO IMAGE |
| 4 | 71070512 | | SCREW |
| 5 | 10040500 | | LOCKWASHER |
| 6 | 125593X | | SUB= 272293 |
| 8 | 121094X | | BOLT T |
| 9 | 19101216 | | WASHER |
| 10 | 10040400 | | LOCKWASHER |
| 11 | | | CHECK WITH SUPPLIER |
| 12 | 137437 | | MUFFLER |
| 15 | 137180 | | SUB= 532137180 |
| 17 | 17490624 | | SCREW LT |
| 18 | 126636X | | "KEEPER,DR BELT GR" |
| 20 | 73510600 | | NUT |
| 21 | 2751R | | CLIP T |



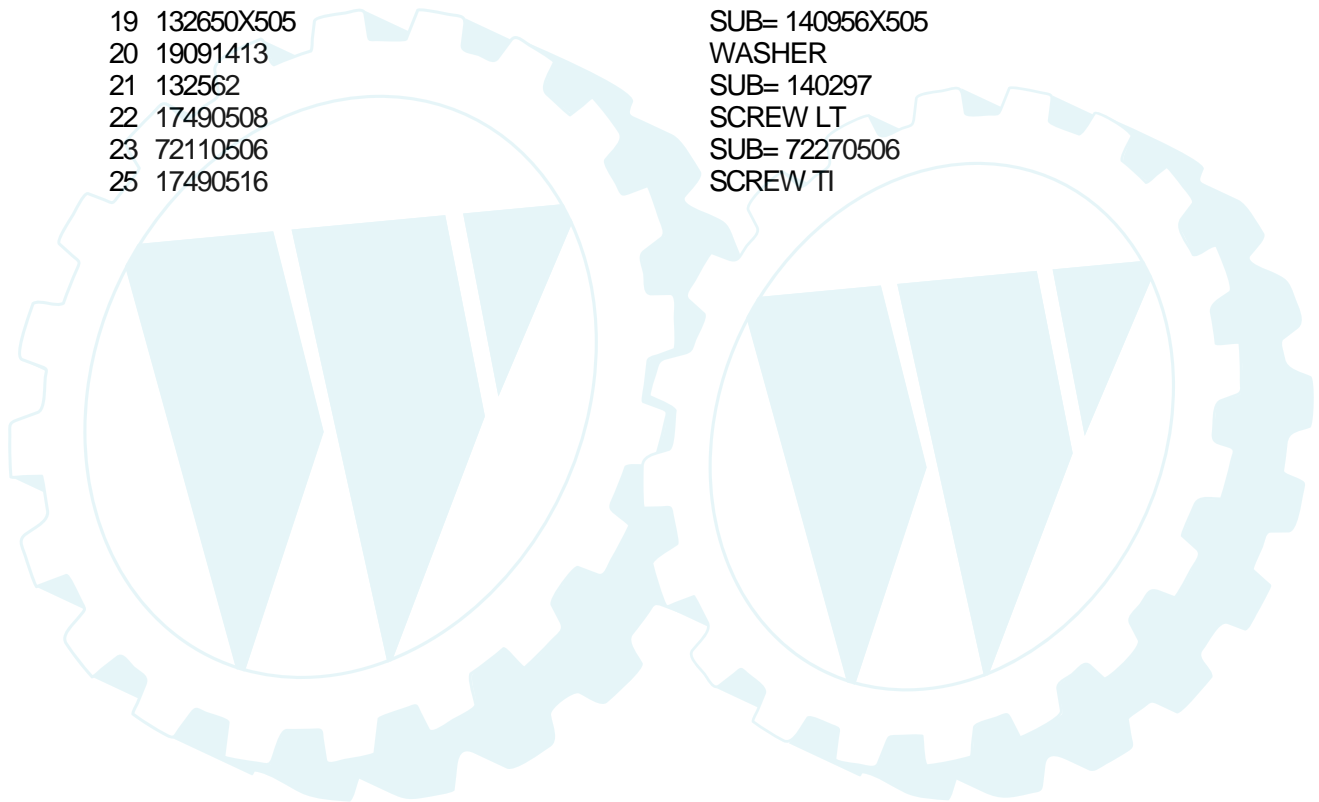
12 HP 38" TRACTOR -- MODEL NUMBER 1D2A3A

FENDER / CHASSIS



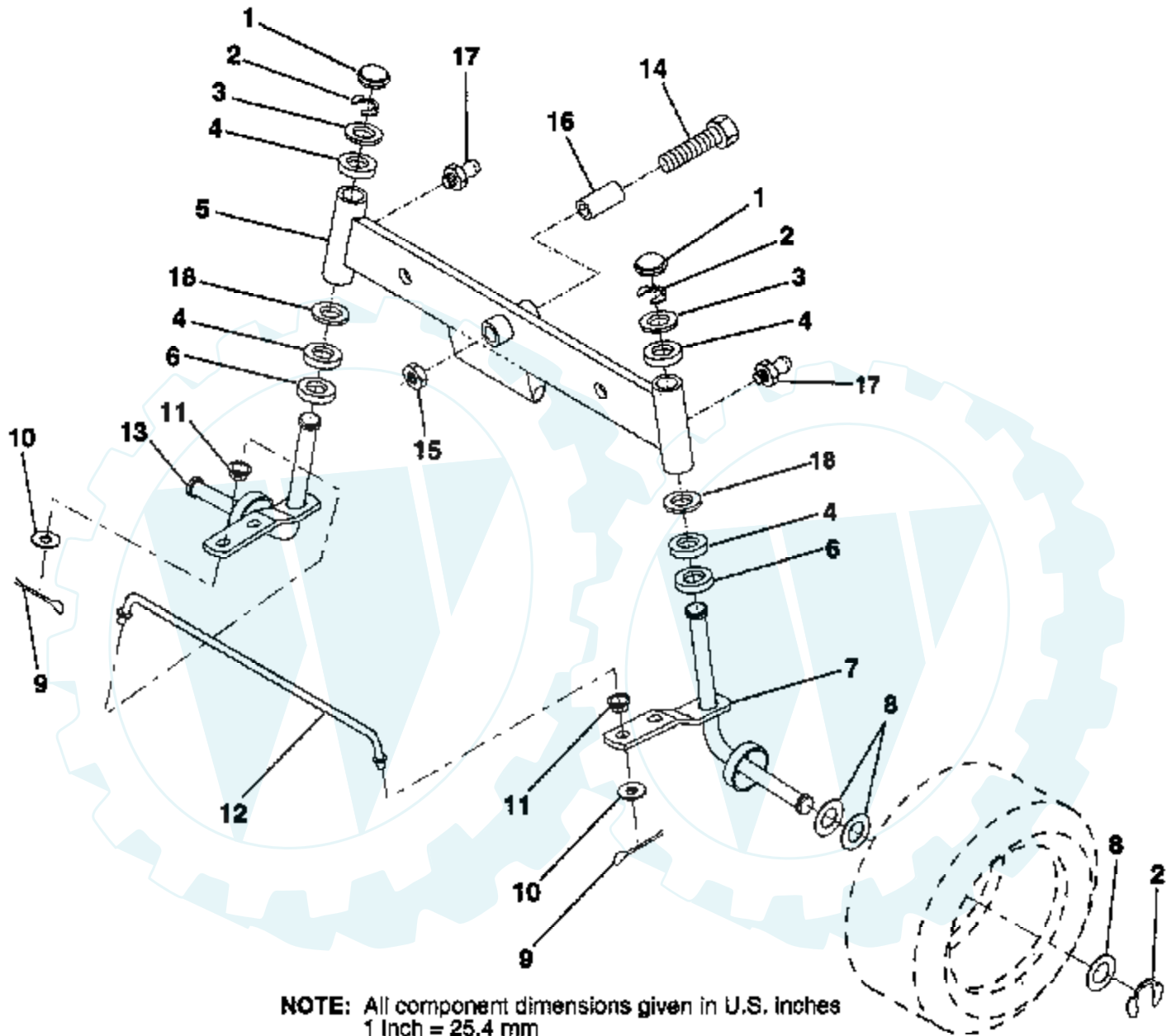
HARDWARE SHOWN LARGER FOR EASIER IDENTIFICATION

| Ref # | Part Number | Qty | Description |
|-------|-------------|-----|-------------------|
| 1 | 129965 | | SUB= 156417 |
| 2 | 19132012 | | WASHER |
| 3 | 17490612 | | SCREW |
| 4 | 124181X | | SPRING COMPRESSIO |
| 5 | 127115X505 | | BTRY FENDER PLATE |
| 6 | 109596X | | HOSE CLAMP T |
| 7 | 124144X | | PAD FOOTREST |
| 8 | 17490512 | | SCREW |
| 12 | 137097 | | SUB= 139893 |
| 13 | 109238X | | TUBE T |
| 14 | 73510400 | | NUT |
| 15 | 73680500 | | SUB= 73690500 |
| 16 | 74760512 | | BOLT |
| 17 | 127880 | | DRAWBAR |
| 19 | 132650X505 | | SUB= 140956X505 |
| 20 | 19091413 | | WASHER |
| 21 | 132562 | | SUB= 140297 |
| 22 | 17490508 | | SCREW LT |
| 23 | 72110506 | | SUB= 72270506 |
| 25 | 17490516 | | SCREW TI |



12 HP 38" TRACTOR - - MODEL NUMBER 1D2A3A

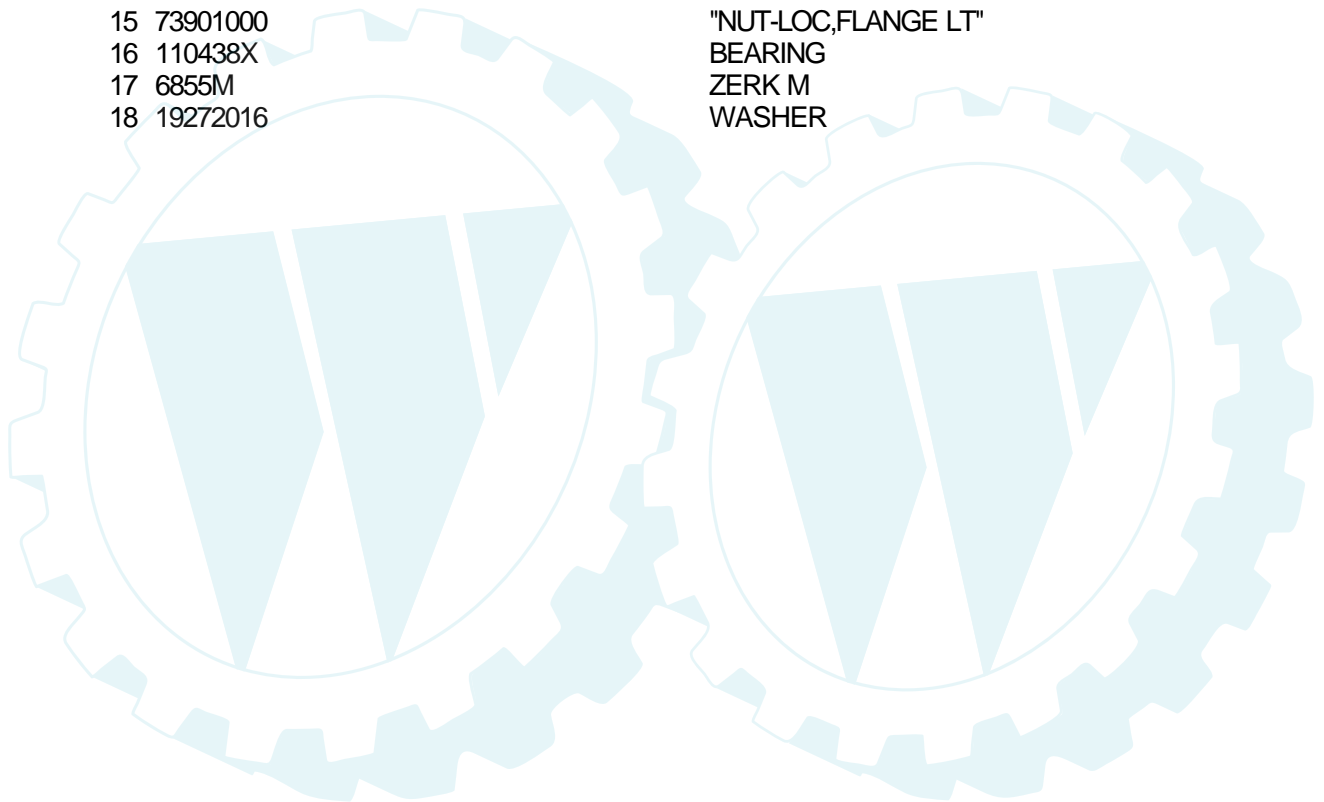
FRONT AXLE



NOTE: All component dimensions given in U.S. inches
1 Inch = 25.4 mm

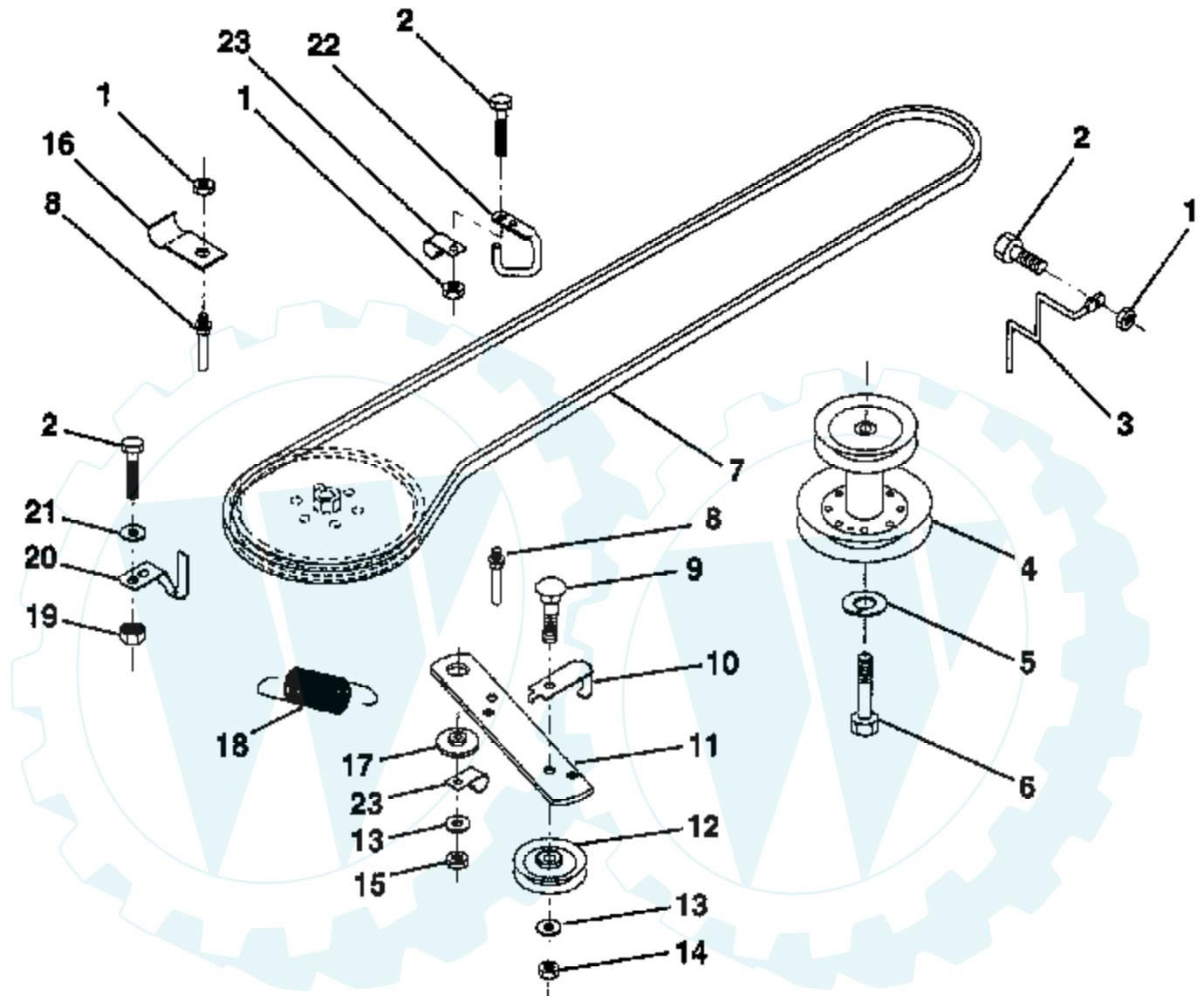
HARDWARE SHOWN LARGER FOR EASIER IDENTIFICATION

| Ref # | Part Number | Qty | Description |
|-------|-------------|-----|---------------------|
| 1 | 121232X | | CAP |
| 2 | 12000029 | | RING |
| 3 | 121748X | | WASHER |
| 4 | 3366R | | COL. SRTG. BEAR. |
| 5 | 133988 | | SUB= 142033 |
| 6 | 6266H | | WASHER .T |
| 7 | 137062 | | SPINDLE ASM RH |
| 8 | 121749X | | WASHER |
| 9 | 76020412 | | COTTER PIN |
| 10 | 19131316 | | WASHER |
| 11 | 126847X | | BUSHING.DRAGLINK |
| 12 | 130465 | | TIE ROD |
| 13 | 137061 | | SPINDLE ASM LH |
| 14 | 74011056 | | BOLT HEX 5/8-11 |
| 15 | 73901000 | | "NUT-LOC,FLANGE LT" |
| 16 | 110438X | | BEARING |
| 17 | 6855M | | ZERK M |
| 18 | 19272016 | | WASHER |



12 HP 38" TRACTOR -- MODEL NUMBER 1D2A3A

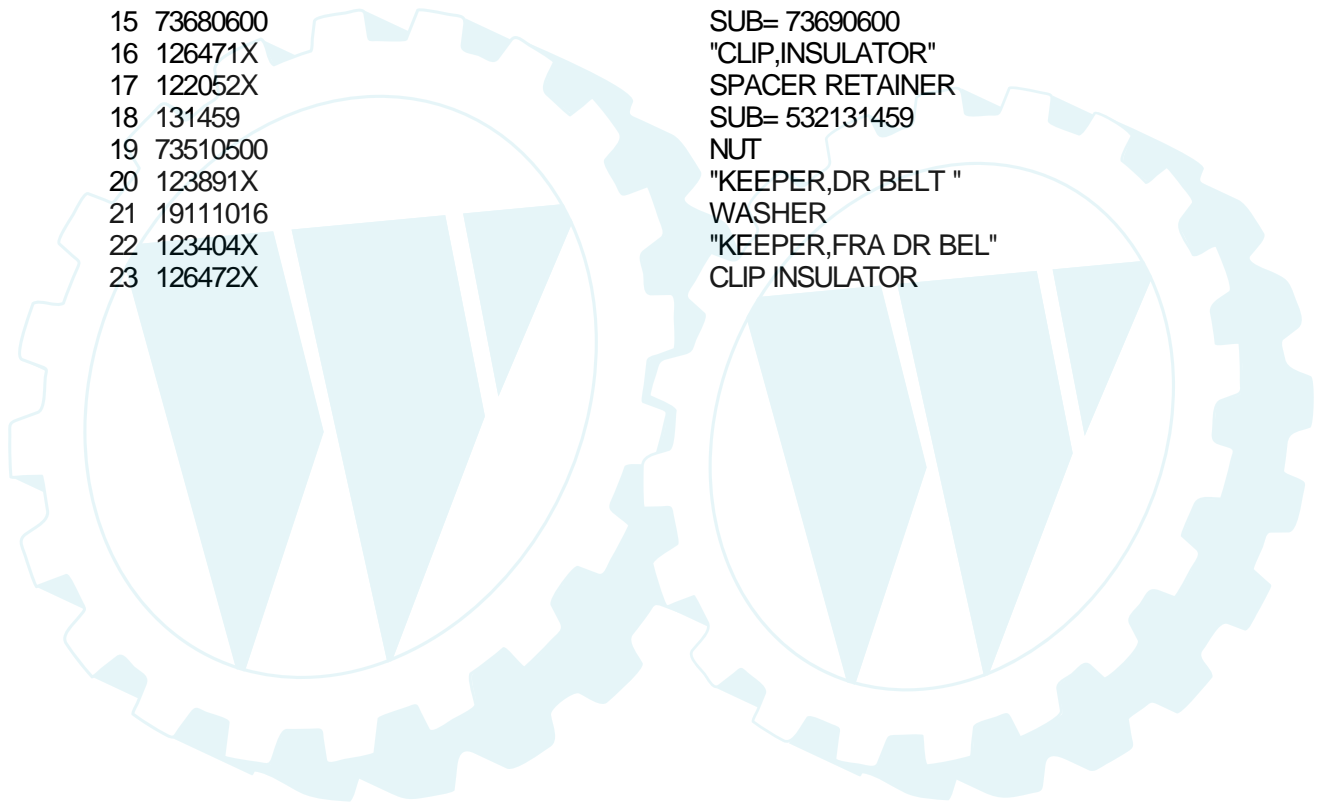
GROUND DRIVE



NOTE: All component dimensions given in U.S. Inches
1 Inch = 25.4 mm

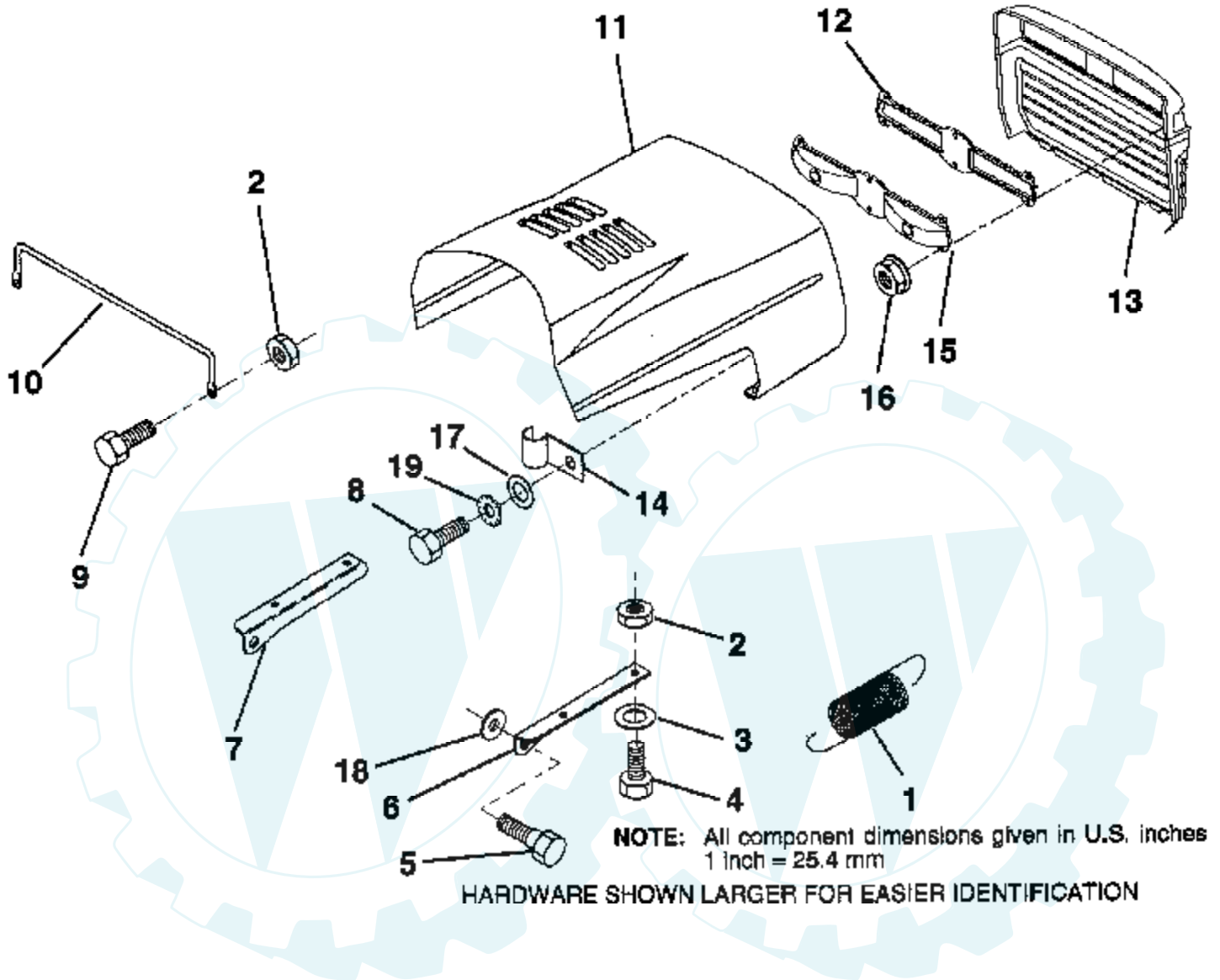
HARDWARE SHOWN LARGER FOR EASIER IDENTIFICATION

| Ref # | Part Number | Qty | Description |
|-------|-------------|-----|---------------------|
| 1 | 73680500 | | SUB= 73690500 |
| 2 | 74760512 | | BOLT |
| 3 | 132946 | | KEEPER MWR DR BLT |
| 4 | 135036 | | SUB= 138029 |
| 5 | 10040700 | | LOCKWASHER |
| 6 | 71130748 | | BOLT |
| 7 | 124525X | | BELT |
| 8 | 123405X | | "KEEPER,DRIVE BELT" |
| 9 | 72140612 | | BOLT |
| 10 | 123396X | | "KEEP,IDLER DR BEL" |
| 11 | 123395X | | SUB= 140911 |
| 12 | 4859J | | SUB= 123674X |
| 13 | 19131316 | | WASHER |
| 14 | 73930600 | | LOCKNUT |
| 15 | 73680600 | | SUB= 73690600 |
| 16 | 126471X | | "CLIP,INSULATOR" |
| 17 | 122052X | | SPACER RETAINER |
| 18 | 131459 | | SUB= 532131459 |
| 19 | 73510500 | | NUT |
| 20 | 123891X | | "KEEPER,DR BELT " |
| 21 | 19111016 | | WASHER |
| 22 | 123404X | | "KEEPER,FRA DR BEL" |
| 23 | 126472X | | CLIP INSULATOR |

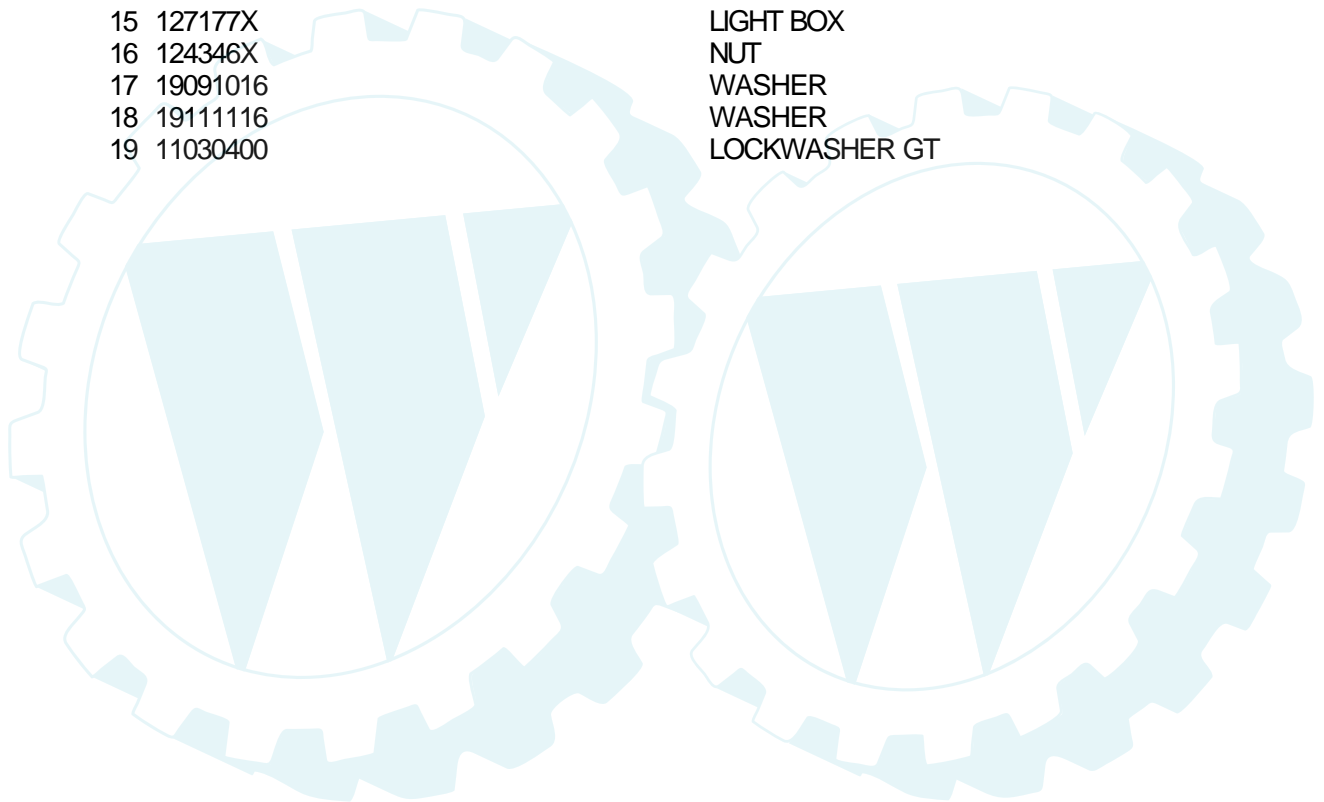


12 HP 38" TRACTOR -- MODEL NUMBER 1D2A3A

HOOD



| Ref # | Part Number | Qty | Description |
|-------|-------------|-----|---------------|
| 1 | 124657X | | EXT SPRING |
| 2 | 73510400 | | NUT |
| 3 | 19091016 | | WASHER |
| 4 | 74780410 | | BOLT |
| 5 | 126675X | | SUB= 139888 |
| 6 | 122549X | | BRKT HOOD RH |
| 7 | 122548X | | BRKT HOOD LH |
| 8 | 17411310 | | SUB= 17521312 |
| 9 | 74780412 | | SUB= 74780414 |
| 10 | 123693X | | "BRACE,HOOD" |
| 11 | 132918X505 | | HOOD |
| 12 | 127178 | | LENS T |
| 13 | 134232X428 | | GRILL (BLACK) |
| 14 | 2751R | | CLIP T |
| 15 | 127177X | | LIGHT BOX |
| 16 | 124346X | | NUT |
| 17 | 19091016 | | WASHER |
| 18 | 19111116 | | WASHER |
| 19 | 11030400 | | LOCKWASHER GT |



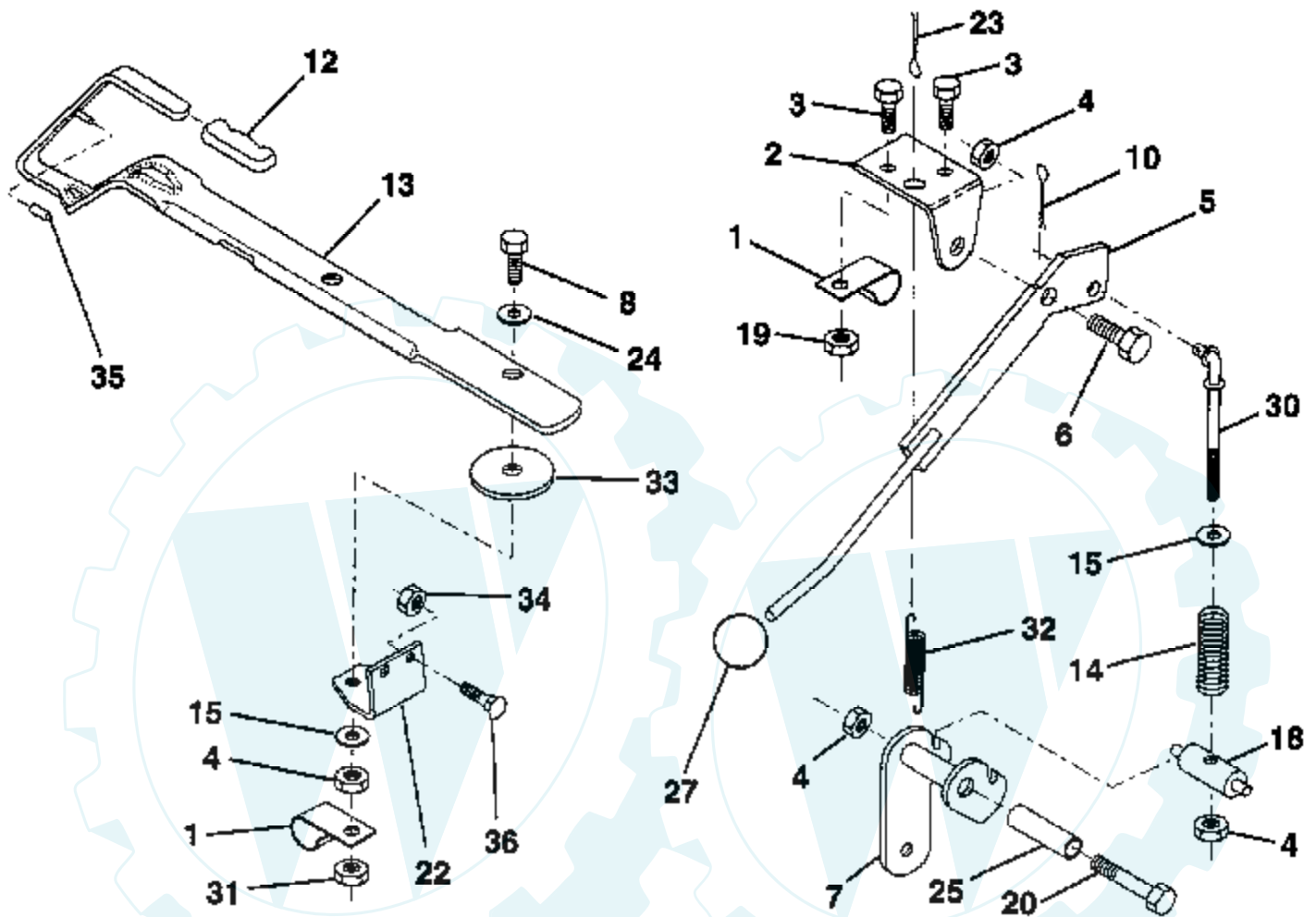
| Ref # | Part Number | Qty | Description |
|-------|-------------|-----|---------------------|
| 1 | 138356 | | SUB= 142830 |
| 2 | 73680500 | | SUB= 73690500 |
| 3 | 72140506 | | BOLT |
| 4 | 7631J | | RUNNER-LH M |
| 5 | 110485X | | BEARING |
| 6 | 128774 | | HSG ASM MANDREL |
| 7 | 129895 | | BEARING.BALL |
| 8 | 137645 | | SUB= 137646 |
| 9 | 138497 | | "BLADE.38"" HIPERF" |
| 10 | 129962 | | WASHER BLADE |
| 11 | 10030600 | | SUB= 10040600 |
| 12 | 850857 | | BLADE BOLT |
| 13 | 136929 | | SUB= 140329 |
| 14 | 106736X | | DEFLECTOR-SHLD T |
| 15 | 106735X | | ROD-HINGE T |
| 16 | 137607 | | BRKT DEFLECTOR |
| 17 | 110452X | | NUT PUSH M |
| 18 | 123713X | | SPRING TORSION |
| 19 | 19111016 | | WASHER |
| 20 | 105304X | | CAP-SLEEVE LT |
| 21 | 128772 | | RUNNER RH |
| 22 | 19111216 | | WASHER M |
| 23 | 78158 | | SUB= 17580520 |
| 24 | 4939M | | SUB= 85902 |
| 25 | 74600636 | | BOLT |
| 26 | 19131612 | | WASHER GT |
| 27 | 132556 | | "LINK ASM.,FRONT" |
| 28 | 73350800 | | NUT |
| 29 | 130171 | | TRUNION |
| 30 | 73800800 | | NUT.LK.W/WSH.1/2. |
| 31 | 132553 | | CLUTCH ROD PRI |
| 32 | 73350600 | | NUT |
| 33 | 132559 | | SUSP ARM REAR |
| 34 | 133604 | | TRUNNION |
| 35 | 132554 | | CLUTCH ROD SEC |
| 36 | 19131316 | | WASHER |
| 37 | 76020312 | | SUB= 3145 |
| 38 | 133840 | | IDLER ARM ASSY |
| 39 | 129963 | | WASHER |
| 40 | 129206 | | SUB= 153532 |
| 41 | 137266 | | SUB= 139729 |
| 42 | 131494 | | FLAT IDLER PULLEY |
| 43 | 122052X | | SPACER RETAINER |
| 44 | 19131612 | | WASHER GT |
| 45 | 73680600 | | SUB= 73690600 |
| 46 | 131290 | | BELT-V.88.12.MW |
| 47 | 133502 | | RETAINER SPACER |
| 48 | 133503 | | IDLER ARM STIFF |
| 49 | 133551 | | PIVOT ROD |
| 50 | 131289 | | BRAKE ROD LH |
| 51 | 130840 | | BRAKE ASM |
| 52 | 17490512 | | SCREW |
| 53 | 131288 | | BRAKE ROD RH |
| 54 | 72110614 | | BOLT |
| 55 | 4921H | | SPRING.RETAINER |
| 56 | 136782 | | PLATE ADJ LINK LH |
| 57 | 72140606 | | BOLT |
| 58 | 19131212 | | WASHER T |

| Ref # | Part Number | Qty | Description |
|-------|-------------|-----|------------------|
| 59 | 73800500 | | NUT |
| 60 | 19111112 | | WASHER.34X.68X16 |
| 62 | 3146R | | RETAINER.SPRING |
| 63 | 4497H | | RETAINER M |
| | 130794 | | MANDREL ASM |
| | 138422 | | SUB= 142862 |



12 HP 38" TRACTOR - - MODEL NUMBER 1D2A3A

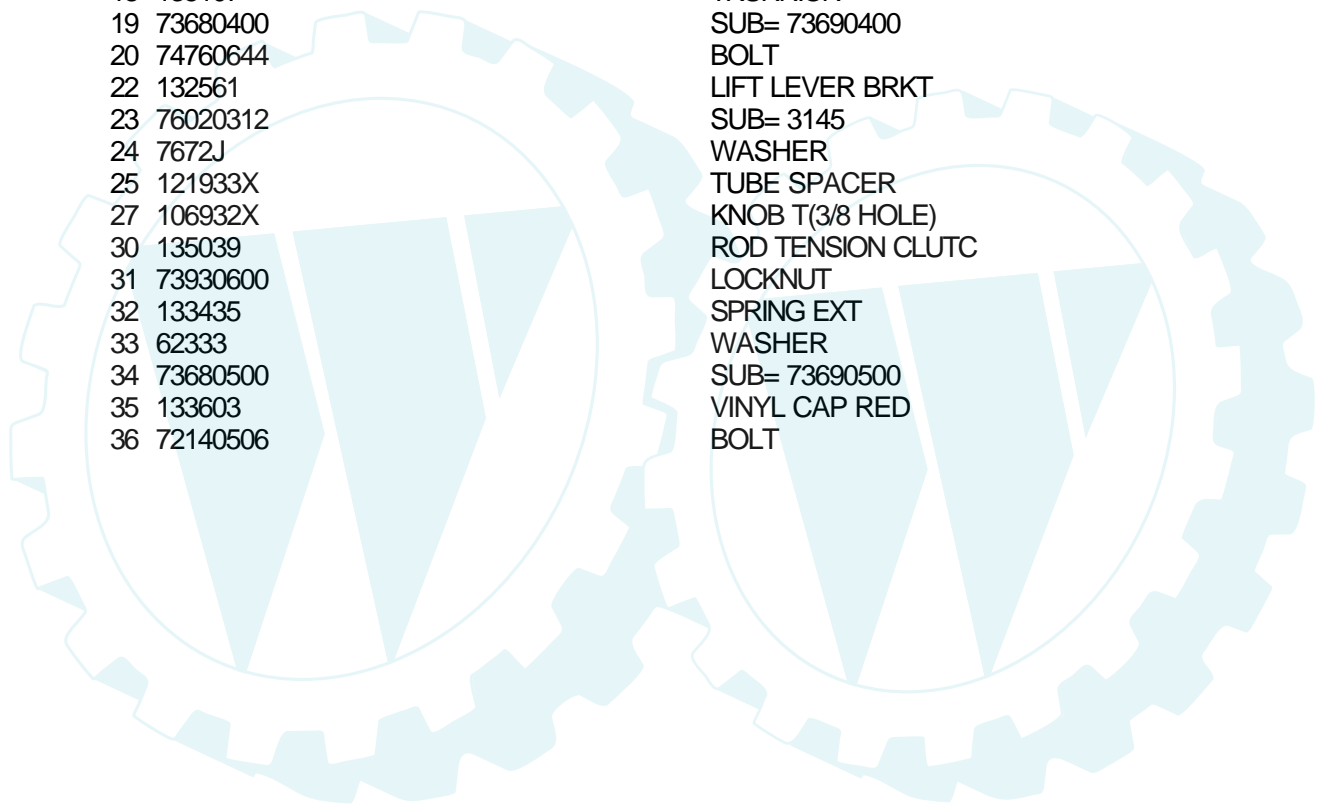
MOWER LIFT LEVER



NOTE: All component dimensions given in U.S. inches
1 inch = 25.4 mm

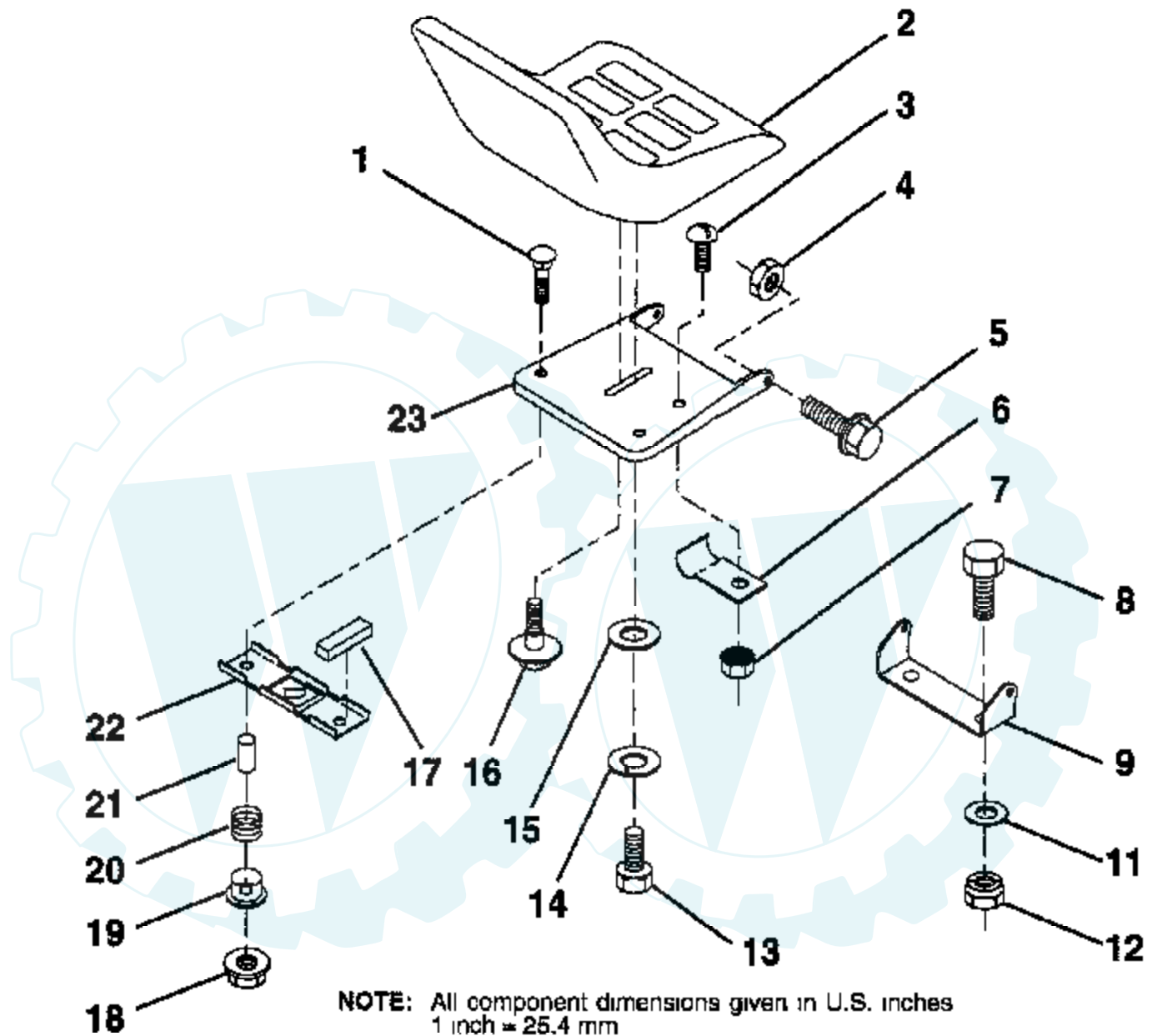
HARDWARE SHOWN LARGER FOR EASIER IDENTIFICATION

| Ref # | Part Number | Qty | Description |
|-------|-------------|-----|---------------------|
| 1 | 126470X | | "CLIP,INSULATOR" |
| 2 | 122018X | | BRKT CLUTCH |
| 3 | 74780408 | | BOLT |
| 4 | 73680600 | | SUB= 73690600 |
| 5 | 132552 | | CLUTCH LEVER AS |
| 6 | 106451X | | "BOLT, SHOULDER LT" |
| 7 | 135110 | | MWR CLUT ARM ASM |
| 8 | 74930624 | | BOLT |
| 10 | 76020412 | | COTTER PIN |
| 12 | 122027X | | GRIP HANDLE |
| 13 | 136658 | | LEVER LIFT LR |
| 14 | 133939 | | COMP CLUTCH SPRNG |
| 15 | 19131616 | | WASHER HYT |
| 18 | 135107 | | TRUNNION |
| 19 | 73680400 | | SUB= 73690400 |
| 20 | 74760644 | | BOLT |
| 22 | 132561 | | LIFT LEVER BRKT |
| 23 | 76020312 | | SUB= 3145 |
| 24 | 7672J | | WASHER |
| 25 | 121933X | | TUBE SPACER |
| 27 | 106932X | | KNOB T(3/8 HOLE) |
| 30 | 135039 | | ROD TENSION CLUTC |
| 31 | 73930600 | | LOCKNUT |
| 32 | 133435 | | SPRING EXT |
| 33 | 62333 | | WASHER |
| 34 | 73680500 | | SUB= 73690500 |
| 35 | 133603 | | VINYL CAP RED |
| 36 | 72140506 | | BOLT |



12 HP 38" TRACTOR - - MODEL NUMBER 1D2A3A

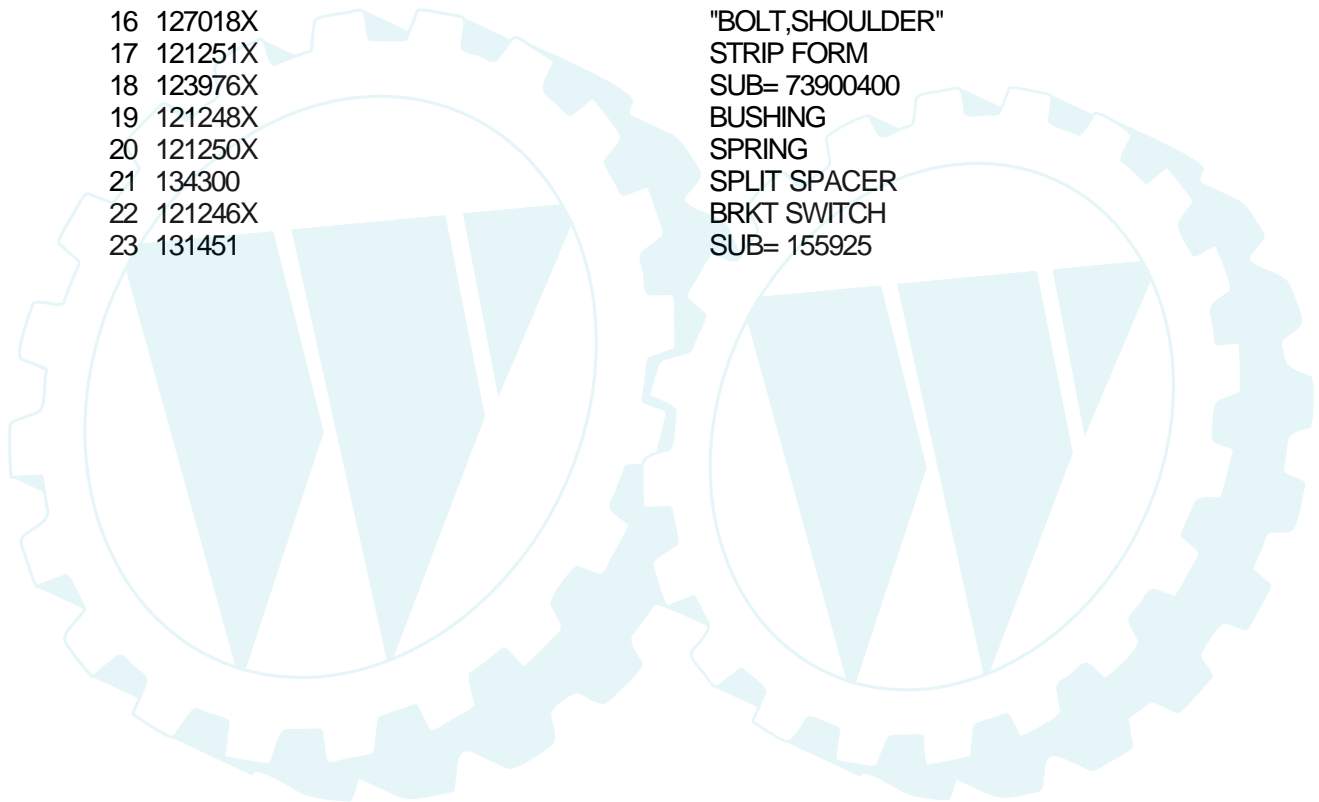
SEAT



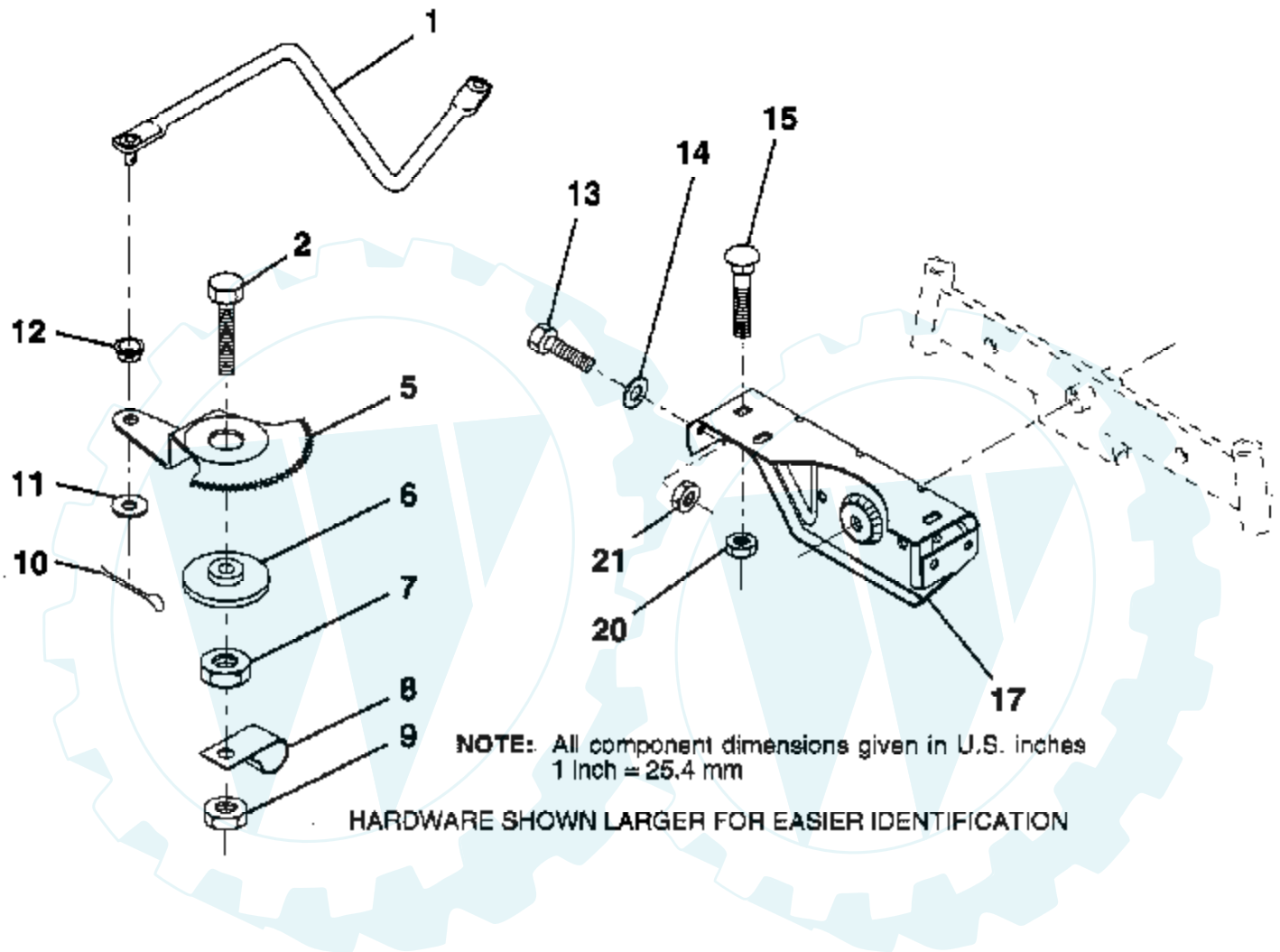
NOTE: All component dimensions given in U.S. inches
1 inch = 25.4 mm

HARDWARE SHOWN LARGER FOR EASIER IDENTIFICATION

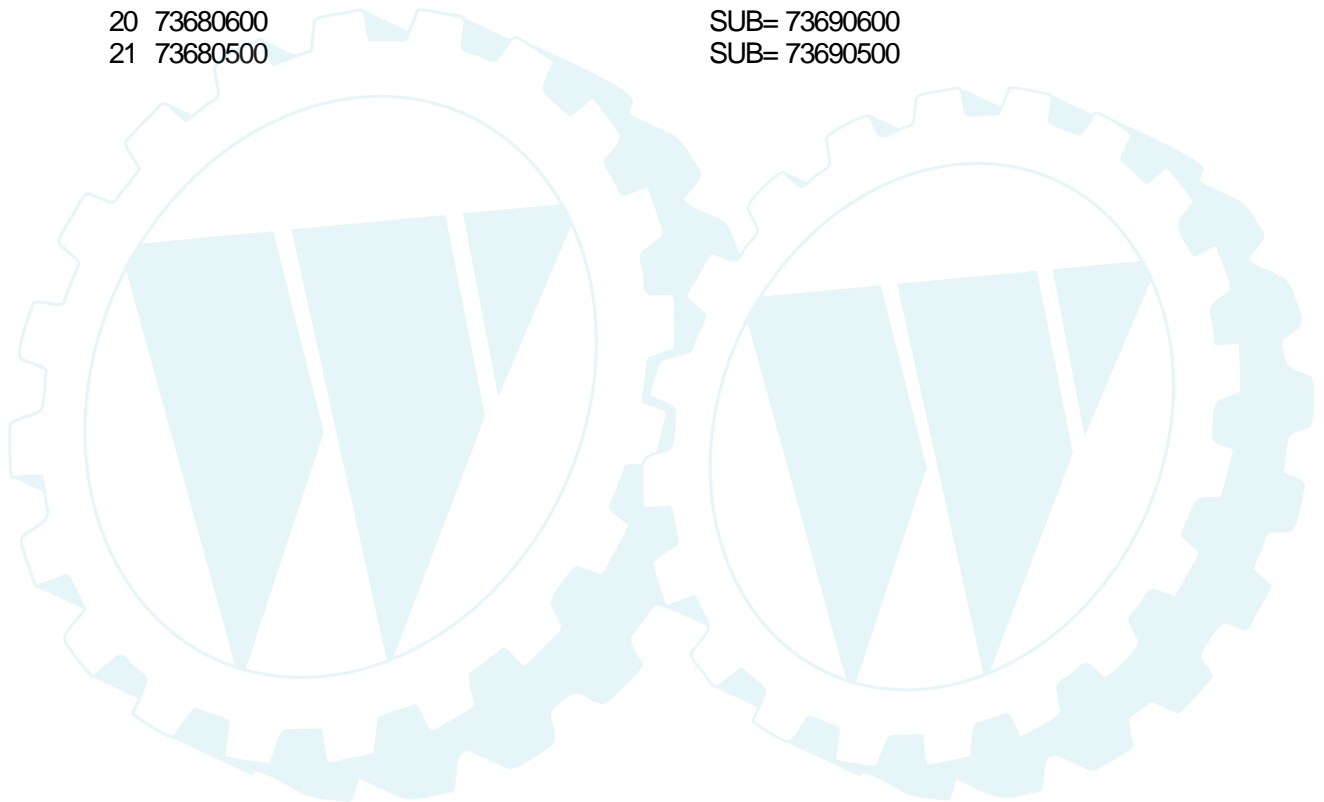
| Ref # | Part Number | Qty | Description |
|-------|-------------|-----|-----------------|
| 1 | 72050411 | | SUB= 872050411 |
| 2 | 127427 | | SUB= 140119 |
| 3 | 74641008 | | SUB= 71031008 |
| 4 | 73680500 | | SUB= 73690500 |
| 5 | 105529X | | SUB= 139888 |
| 6 | 4171R | | CLIP T |
| 7 | 73951000 | | "NUT,KEPS" |
| 8 | 74760612 | | SUB= 74780612 |
| 9 | 126656X | | SUB= 140551 |
| 11 | 19133210 | | WASHER |
| 12 | 73680600 | | SUB= 73690600 |
| 13 | 74780814 | | BOLT |
| 14 | 10040800 | | LOCKWASHER |
| 15 | 19171912 | | WASHER |
| 16 | 127018X | | "BOLT,SHOULDER" |
| 17 | 121251X | | STRIP FORM |
| 18 | 123976X | | SUB= 73900400 |
| 19 | 121248X | | BUSHING |
| 20 | 121250X | | SPRING |
| 21 | 134300 | | SPLIT SPACER |
| 22 | 121246X | | BRKT SWITCH |
| 23 | 131451 | | SUB= 155925 |



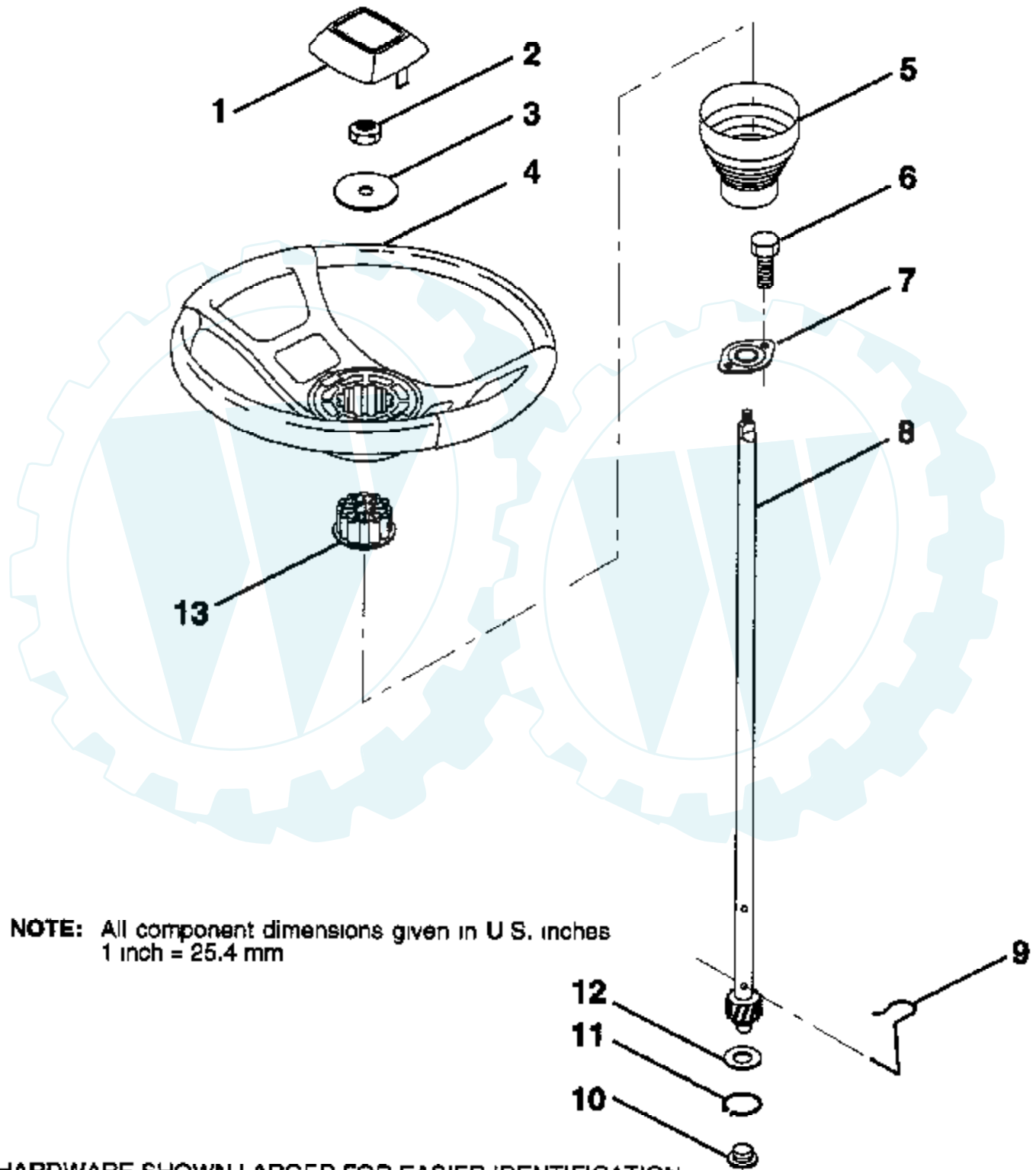
12 HP 38" TRACTOR - - MODEL NUMBER 1D2A3A SECTOR GEAR / AXLE SUPPORT



| Ref # | Part Number | Qty | Description |
|-------|-------------|-----|------------------|
| 1 | 132566 | | DRAG LINK |
| 2 | 74780828 | | "BOLT,HEX" |
| 5 | 121926X | | GEAR SECTOR |
| 6 | 121927X | | BUSHING |
| 7 | 73030800 | | NUT |
| 8 | 126472X | | CLIP INSULATOR |
| 9 | 73680800 | | NUT LTV |
| 10 | 76020412 | | COTTER PIN |
| 11 | 19131316 | | WASHER |
| 12 | 126847X | | BUSHING.DRAGLINK |
| 13 | 74760512 | | BOLT |
| 14 | 19111416 | | WASHER |
| 15 | 72110606 | | BOLT |
| 17 | 137096 | | SUPT AXLE FRONT |
| 20 | 73680600 | | SUB= 73690600 |
| 21 | 73680500 | | SUB= 73690500 |



12 HP 38" TRACTOR - - MODEL NUMBER 1D2A3A STEERING WHEEL



NOTE: All component dimensions given in U.S. inches
1 inch = 25.4 mm

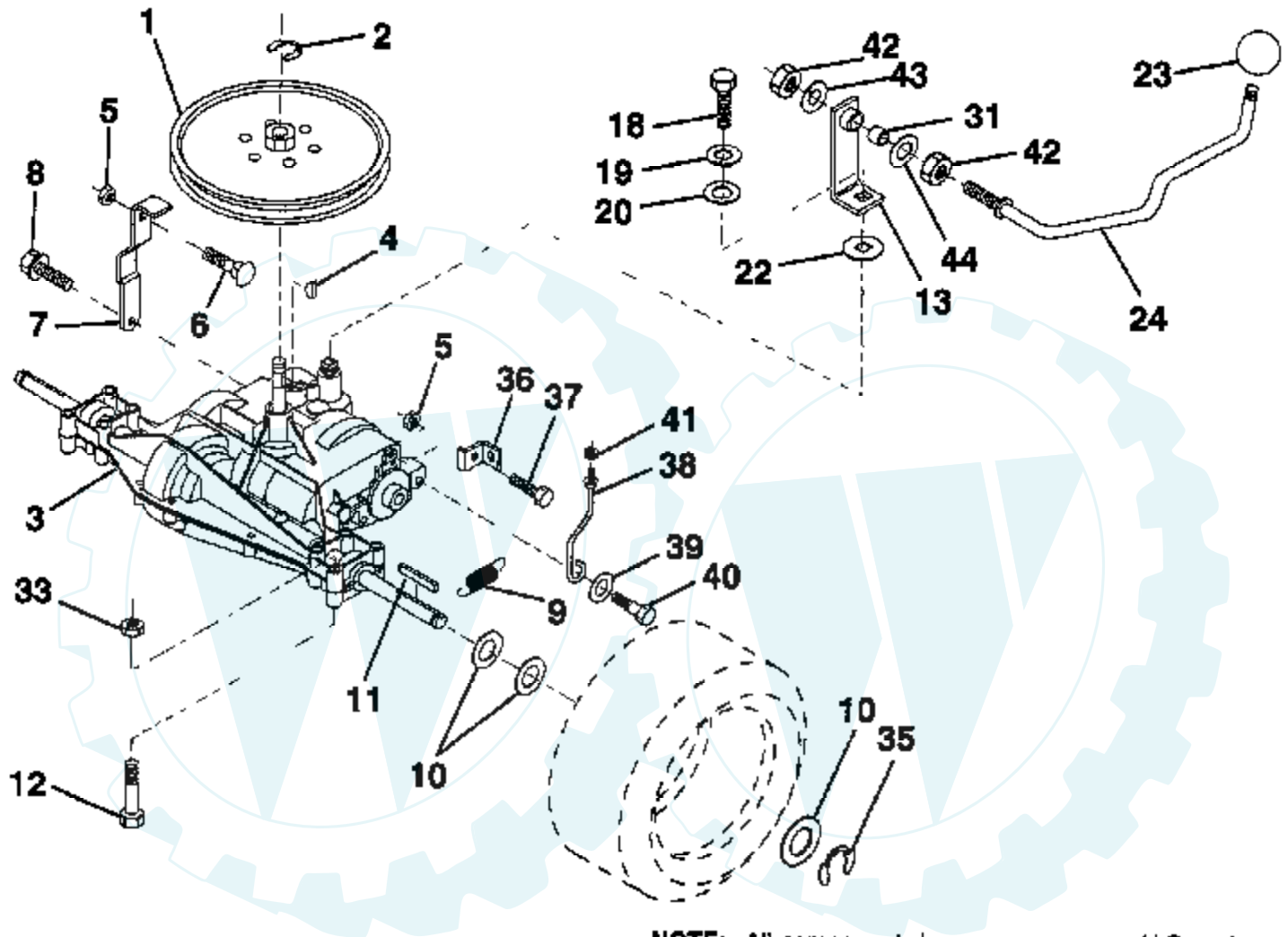
HARDWARE SHOWN LARGER FOR EASIER IDENTIFICATION

| Ref # | Part Number | Qty | Description |
|-------|-------------|-----|-------------------|
| 1 | 133742 | | ST WHL INSERT CAP |
| 2 | 7810H | | GRIPCO NUT |
| 3 | 19133808 | | WASHER T |
| 4 | 133741 | | SUB= 150547 |
| 5 | 121897X | | SLEEVE STEERING |
| 6 | 17431008 | | SUB= 98000165 |
| 7 | 102803X | | SUB= 918102803X |
| 8 | 123651X | | SUB= 148966 |
| 9 | 124210X | | STEERING CLIP |
| 10 | 123438X | | BUSHING STEER LWR |
| 11 | 12000045 | | RING |
| 12 | 19211616 | | WASHER LT |
| 13 | 104820X | | ADAPTER-WHEEL LT |



12 HP 38" TRACTOR - - MODEL NUMBER 1D2A3A

TRANSAXLE



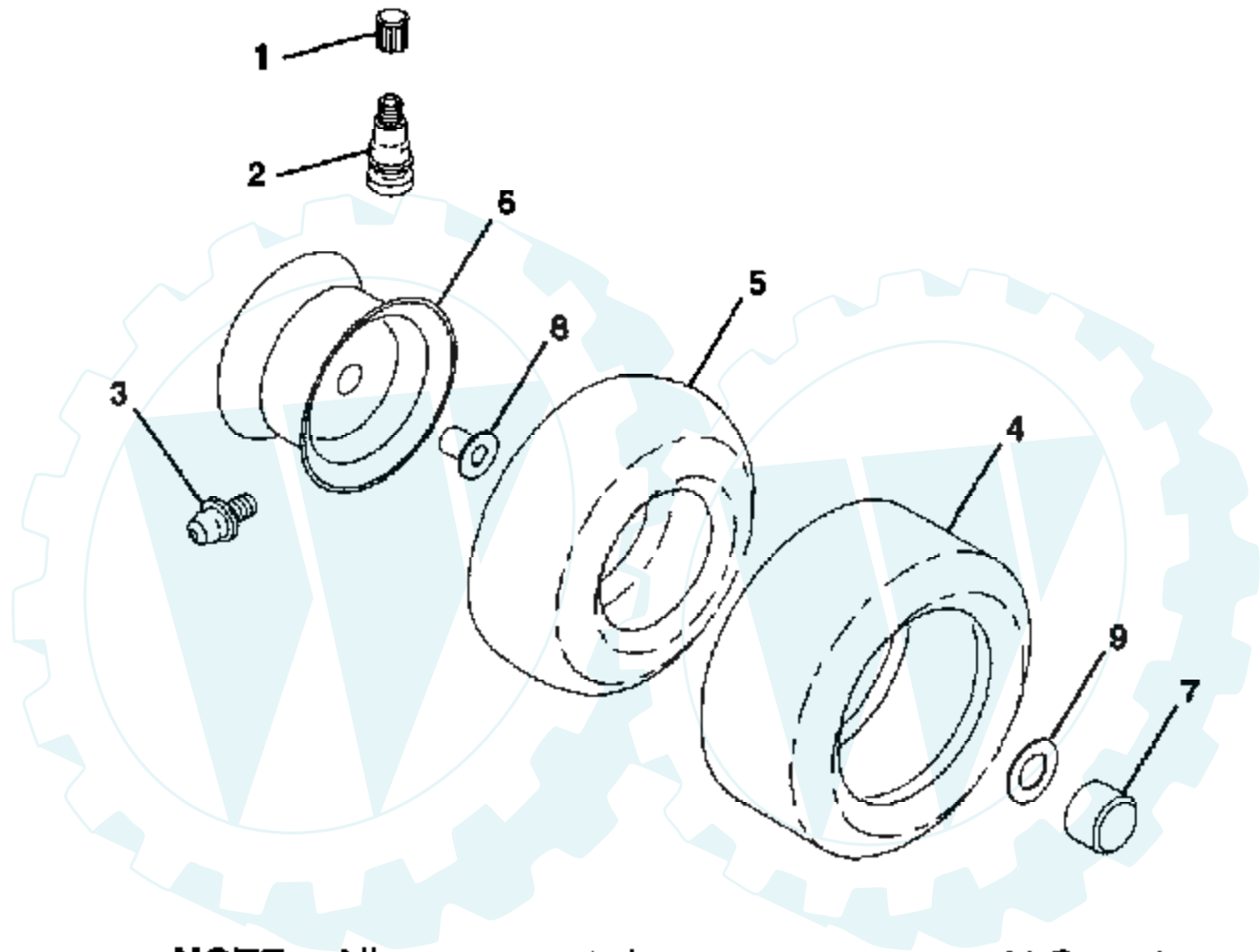
NOTE: All component dimensions given in U.S. inches
1 inch = 25.4 mm

HARDWARE SHOWN LARGER FOR EASIER IDENTIFICATION

| Ref # | Part Number | Qty | Description |
|-------|-------------|-----|---------------------|
| 1 | 123385X | | PULLEY |
| 2 | 12000028 | | SUB= 2267J |
| 3 | 2000-06 | | TRANSAXLE DANA 6 SP |
| 4 | 2228M | | SUB= 2228M1 |
| 5 | 73680500 | | SUB= 73690500 |
| 6 | 72140506 | | BOLT |
| 7 | 131939 | | STRAP.TORQUE.LH |
| 8 | 17490512 | | SCREW |
| 9 | 110422X | | SUB= 146682 |
| 10 | 121749X | | WASHER |
| 11 | 123583X | | SQUARE KEY |
| 12 | 74760644 | | BOLT |
| 13 | 137491 | | BRACKET.ASM.SHIFT |
| 18 | 71040412 | | SUB= 74550412 |
| 19 | 10040400 | | LOCKWASHER |
| 20 | 19091210 | | WASHER LT |
| 22 | 105701X | | WASH-SHFT PLT LT |
| 23 | 106933X | | KNOB T (1/2-HOLE) |
| 24 | 131930 | | ROD.SHIFT.CNTR.LR |
| 31 | 132985 | | SPACER |
| 33 | 73680600 | | SUB= 73690600 |
| 35 | 12000001 | | E-RING LT |
| 36 | 131935 | | BRACKET.BRAKE |
| 37 | 74760512 | | BOLT |
| 38 | 131937 | | KEEPER.BELT.RH |
| 39 | 19171612 | | WASHER GT |
| 40 | 132827 | | BOLT SHD 5/16-18 |
| 41 | 73800500 | | NUT |
| 42 | 73220700 | | NUT |
| 43 | 10040700 | | LOCKWASHER |
| 44 | 19151612 | | WASHER |

12 HP 38" TRACTOR - - MODEL NUMBER 1D2A3A

WHEELS & TIRES



NOTE: All component dimensions given in U.S. inches
1 inch = 25.4 mm

| Ref # | Part Number | Qty | Description |
|-------|-------------|-----|-------------------|
| 1 | 59192 | | VALVE CAP |
| 2 | 65139 | | VALVE STEM LT |
| 3 | 278H | | FITTING LT |
| 4 | 137422 | | SUB= 122073X |
| 4A | 132703 | | SUB= 532132703 |
| 5 | 59904 | | TUBE.5.3/4.5/6 |
| 5 | | | REFER TO IMAGE |
| 6 | 122394X311 | | SUB= 137237X427 |
| 6A | 123412X311 | | SUB= 123412X427 |
| 7 | 104757X | | HUB CAP |
| 8 | 9040H | | "FLANGE, BEARING" |
| 9 | 121748X | | WASHER |

